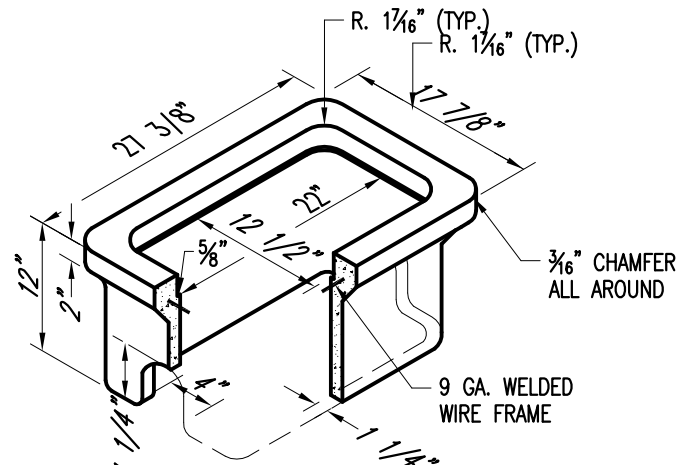


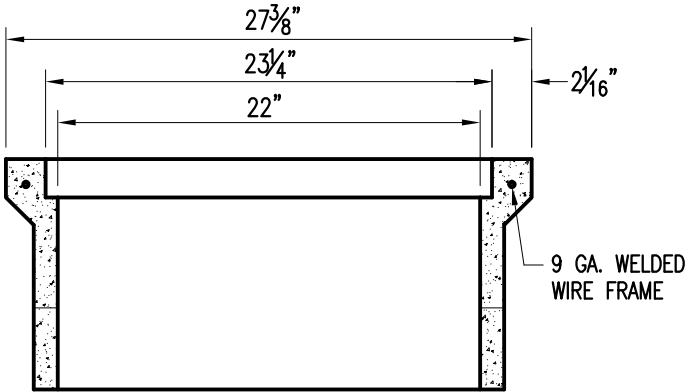
**TOP VIEW**

N.T.S.



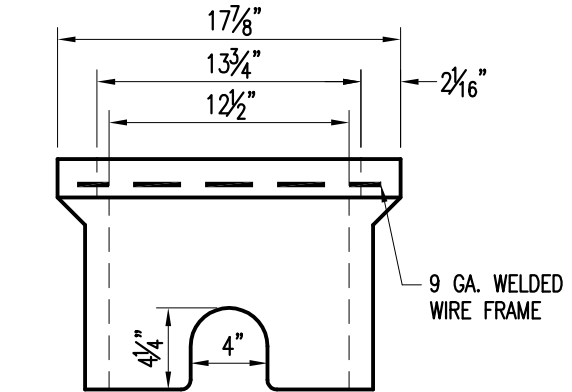
**ISOMETRIC VIEW**

N.T.S.



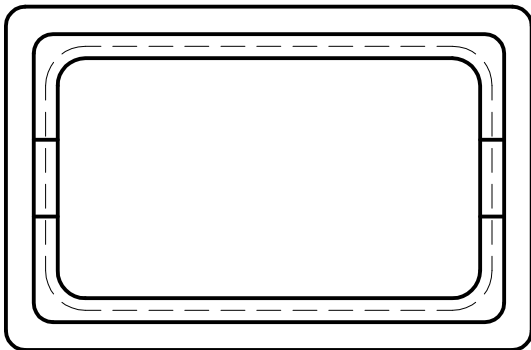
**FRONT SECTION**

N.T.S.



**SIDE VIEW**

N.T.S.



**BOTTOM VIEW**

N.T.S.

WYE BRANCH CONNECTION	SS 1.0	
ITEM	CROSS REF.	SPEC. REF.



ISSUE DATE	APPROVED BY
01/14/2010	V.F.C.

STANDARD DETAIL  
**SANITARY SEWER CLEAN-OUT  
 CONCRETE BOX DETAIL**

**SS  
 22.0**  
 SHEET 2 OF 2