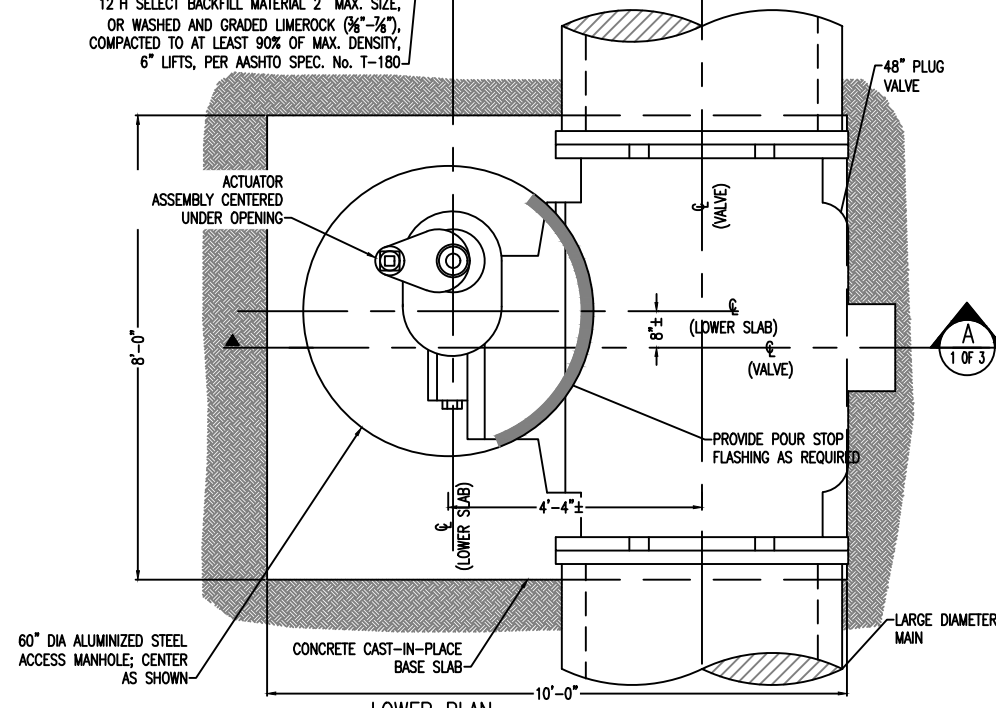


PLACE CONCRETE UP TO ACTUATOR BOTTOM  
 12" SELECT BACKFILL MATERIAL 2" MAX. SIZE, OR WASHED AND GRADED LIMEROCK (3/4"-7/8"), COMPACTED TO AT LEAST 90% OF MAX. DENSITY, 6" LIFTS, PER AASHTO SPEC. No. T-180



PLUG VALVE AND ACTUATOR INSTALLATION

16 - DETAIL  
 SCALE: NTS

ITEM	CROSS REF.	SPEC. REF.



ISSUE DATE	APPROVED BY
10/1/2017 M.K.	D. VAZQUEZ

STANDARD DETAIL  
 VALVE MANHOLE FOR PLUG VALVES  
 30" AND LARGER

SS  
 23.00  
 SHEET 2 OF 3