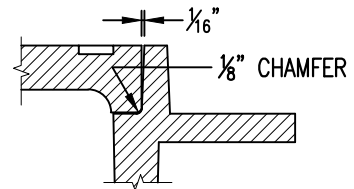
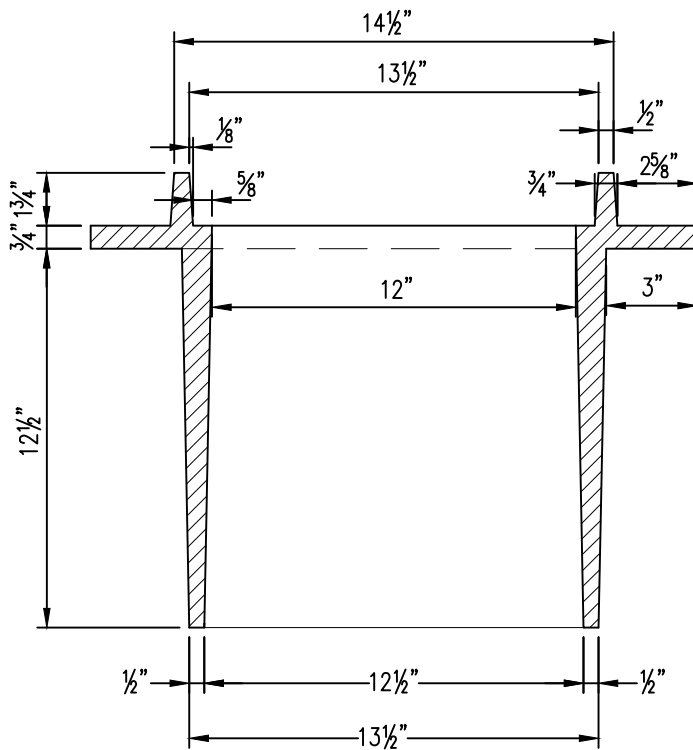


PLAN VIEW
N.T.S.



LID DETAIL
N.T.S.



SECTION A-A
N.T.S.

NOTES:

1. FOUNDRY AND LOCATION SHALL BE CAST ON BOTTOM OF THE LID. (SEE WS 2.05)
2. ALL DIMENSIONS ARE NET CASTING, NOT PATTERN.
3. IF USED FOR RECLAIMED WATER, THE CAST IRON LID AND BOX ARE TO BE COLORED PURPLE PANTONE 522C, AND THE LETTER "W" REPLACED WITH "R".
4. MIN. WEIGHTS
RING: 135 LBS.
COVER: 37 LBS

ITEM	CROSS REF.	SPEC. REF.



ISSUE DATE	APPROVED BY
6/1/2015	J.F.

STANDARD DETAIL
No. 3 C.I. VALVE BOX

WS
3.11
SHEET 1 OF 2