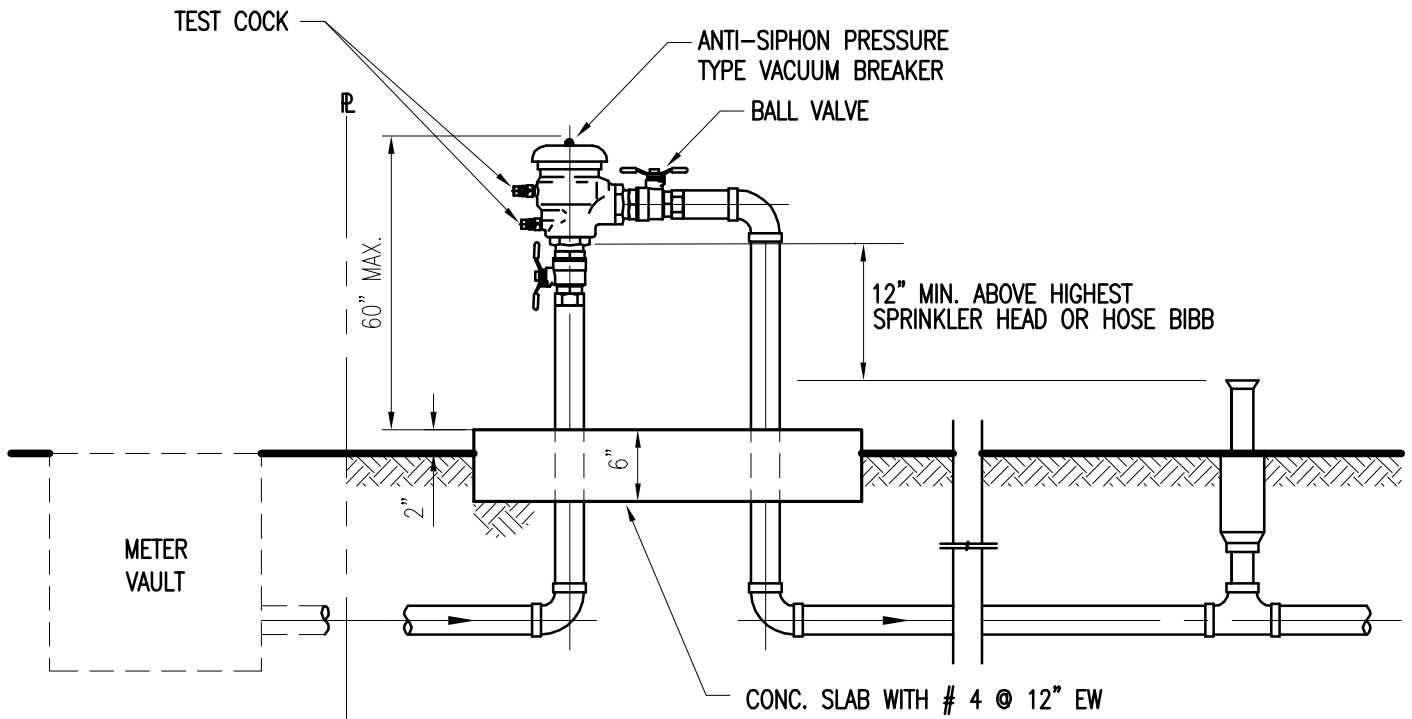


PLAN VIEW



ELEVATION VIEW

GUARD POST DETAIL	WS4.5	XX 0.0
ITEM	CROSS REF.	SPEC. REF.



ISSUE DATE	APPROVED BY
11/01/2006	V.E.F.

STANDARD DETAIL
**PRESSURE VACUUM BREAKER
 IRRIGATION SYSTEM ONLY**

**WS
 4.19**
 SHEET 1 OF 2