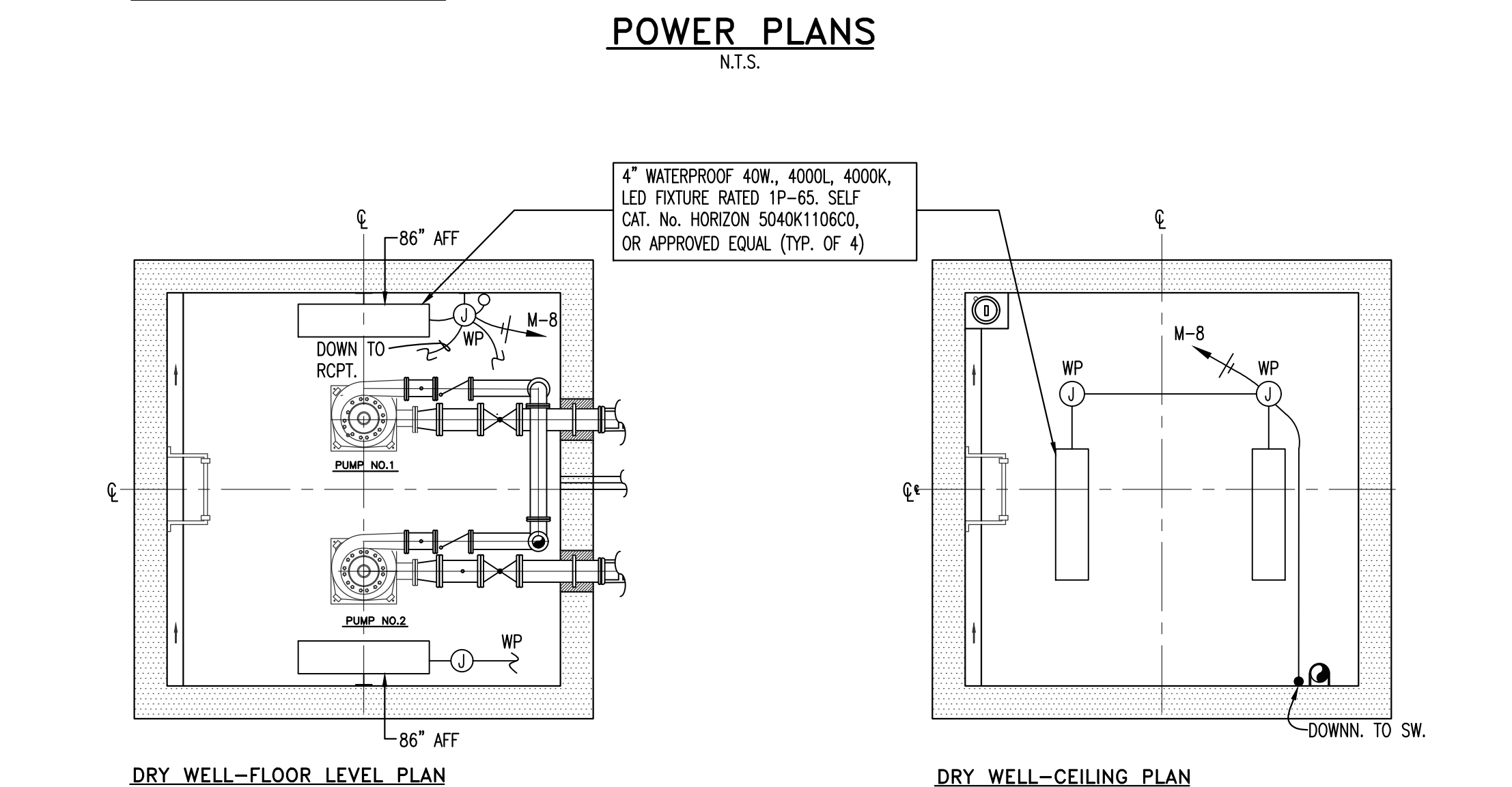
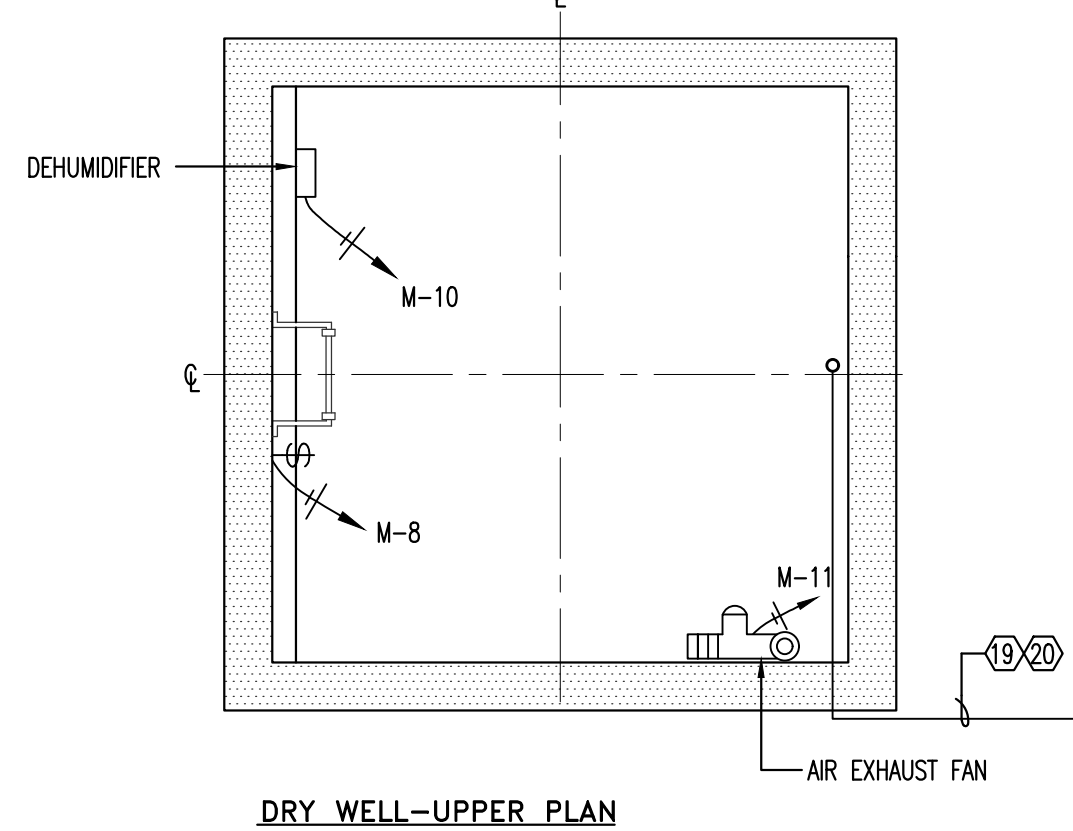
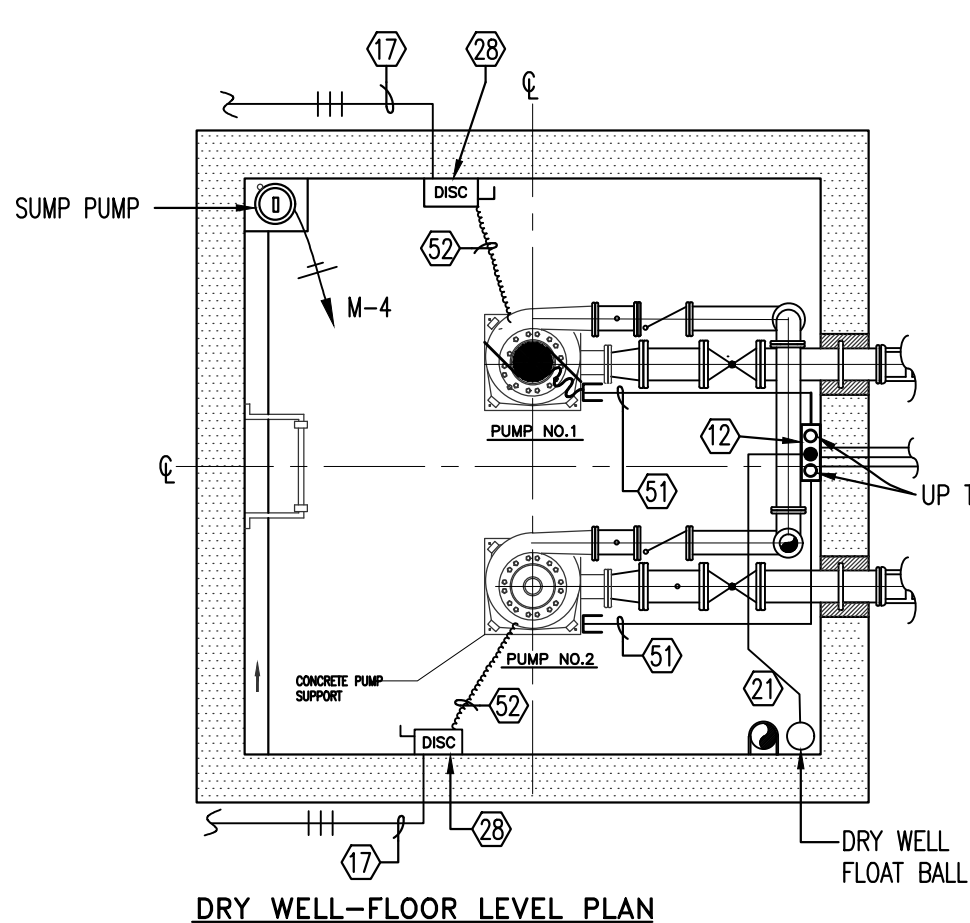


EQUIPMENT AND WIRING SCHEDULE

1 NEW F.P.&L. OVERHEAD SERVICE ___/___V, 3Ø POLE MOUNTED TRANSFORMER, OR NEW ___/___V, PAD MOUNTED TRANSFORMER BY FPL.	30 TRANSFORMER PRIMARY: 2#10 & 1#10(C)-1°C.
2 NEW PULL BOX WITH FP&L CONNECTION POINT.	31 TRANSFORMER SECONDARY: 2#8, 1#8(N) & 1#10(C)-1°C.
3 NEW SERVICE: 3#___AWG & 1#___AWG(N) IN 2°C.	32 GENERATOR SHUT DOWN
4 NEW ___A___V-3Ø-4W METER.	33 3PH, SERVICE RATED, AUTOMATIC TRANSFER SWITCH, IN NEMA 4X STAINLESS STEEL ENCLOSURE.
5 NEW 3-POLE, ___A FUSED DISCONNECT SWITCH WITH RK1 FUSES AND SOLID NEUTRAL IN NEMA 4X STAINLESS STEEL ENCLOSURE UL LISTED FOR SERVICE ENTRANCE.	34 GENERATOR REMOTE INDICATOR OUTSIDE THE BUILDING
6 SCADA-RTU PANEL	35 20 AMP FUSED DISCONNECT OR BREAKER FED FROM A.T.S. LOAD LUGS.
7 SCADA ANTENNA	36 SINGLE PHASE 7.5 KVA DRY TYPE TRANSFORMER 480V-120/240V
8 NEW PUMP CONTROL PANEL WITH NEMA MOTOR STARTERS.	37 12 CIRCUITS PANELBOARD WITH 40 AMP, 2P, 240V, MAIN CIRCUIT BREAKER. SEE PANEL SCHEDULE IN SHEET E-3.
9 CONTROL JUNCTION BOX	38 GENERATOR SET, ___ KW
10 NEW FP&L SERVICE CONDUCTORS, COORDINATE SIZE REQUIREMENTS WITH FP&L	39 3/4" CONDUIT TO GENERATOR
11 7.5KVA TRANSFORMER RATED 480V-120/240V-1Ø. PROVIDED BY CONTROL PANEL VENDOR FOR FIELD INSTALLATION BY CONTRACTOR. NEMA 3R STAINLESS STEEL.	40 6#14 IN 1°C TO RTU CABINET
12 12"W x 12"H x 6"D NEMA 4X STAINLESS STEEL SPLICE BOX WITH HINGED COVER PROVIDE TERMINAL STRIPS FOR ALL SPLICES & TERMINALS.	41 3#___AWG, #1___AWG (N)
13 3#___AWG, 1#___AWG(N) & 1#___AWG(G) - 2°C.	42 WALL MOUNTED THERMOSTAT MTD 48" AFF HONEYWELL MODEL NO. CT87N SET TO OPERATE AT 80°F.
14 RUNS TO SCADA PANEL: 2-1°C FOR CONTROLS (ANALOG) 1-1 1/2°C FOR CONTROLS (DISCRETE) 1-1°C - 2#12 & 1#12G (120V POWER)	43 WALL MOUNTED LED LIGHT FIXTURES, 120V, GLASS LENS, DIE CAST ALUMINUM HOUSING, SUITABLE FOR WET LOCATIONS, FLAT BLOW SWITCH BRONZE FINISH. SIMILAR TO HOLOPHANE WALLPACK LED, HUBBELL PERMALITER LED OR APPROVED EQUAL. LIGHT FIXTURES TO BE CONTROLLED BY A SWITCH MOUNTED ON THE WALL BY THE ENTRANCE.
15 2°C WITH ANTENNA CABLE.	44 TWO (2) 20 AMP, IP, LIGHT SWITCH WALL MOUNTED AT 48" A.F.F.
16 NEW SERVICE GROUND: 1#4 AWG CU TO GROUND ROD AND CONCRETE BASE RE-BARS.	45 TWO (2) 20 AMP, IP, 3W, WEATHERPROOF, G.F.I. DUPLEX RECEPTACLES MOUNTED AT 18" A.F.F.
17 3#___AWG & 1#___AWG(N) IN 2°C.	46 BATTERY CHARGER
18 1" C FOR 120 V POWER CIRCUITS FOR LIGHTS, RECEPTACLES, EXHAUST FAN, DEHUMIDIFIER AND SUMP PUMP.	47 CEILING MOUNTED HIGH EFFICIENT LIGHT FIXTURE DUST AND MOISTURE RESISTANT, SIMILAR TO HOLOPHANE EMS LED OR APPROVED EQUAL. LIGHT FIXTURES TO BE CONTROLLED BY A SWITCH MOUNTED ON THE WALL BY THE ENTRANCE.
19 TO SCADA RTU PANEL VIA CONTROL PANEL	48 DAY TANK (JUNCTION BOX TO PANEL "L", CKT. 7).
20 (1) 1" CONDUIT WITH CONTROL WIRINGS	49 EXHAUST FAN
21 1#14 AWG TWISTED SHIELDED PAIR IN 1" CONDUIT TO INST. CONNECTION BOX	50 2#12 & 1#12G-3/4" (120V POWER)
22 1" SPARE CONDUIT TO WET WELL	51 WATERPROOF POWER CORD FURNISHED WITH PUMP MOTOR PROVIDE WATERTIGHT CORD GRIPS AT CONDUIT END
23 6#14 AWG IN 1" C TO INSTRUMENTATION CONNECTION BOX	52 WATERPROOF CONTROL CORD FURNISHED WITH PUMP MOTOR PROVIDE WATERTIGHT CORD GRIPS AT CONDUIT END
24 NEMA PRESSURE TRANSDUCER	53 WALL MOUNTED EXHAUST FAN W/ WEATHER HOOD EXTENDED MINIMUM 12" BELOW BOTTOM OF WALL OPENING AND WIRE MESH SCREEN (14 MESH, T316 S.S., 0.009" WIRE DIAMETER 76% MIN. FREE AREA, "WIP INC." PART NO. 014X014T0090W4DT, OR APP. EQUAL. GSS WALL SHUTTER, WALL COLLAR, AND INTERNAL WIRE GUARD. LOREN COOK MODEL NO. 24XLNH 3/4HP, 120V, 1Ø 6.550 CFM @0.125 IN WG OR APPROVED EQUAL.
25 EYS TYPE SEALING FITTING	54 1" C FOR LEVEL TRANSMITTER W/ MANUFACTURER SUPPLIED CABLES
26 1" C W/ MANUFACTURER SUPPLIED CABLE FOR LEVEL TRANSDUCER	
27 1" C W/ (3) MANUFACTURER SUPPLIED CABLES FOR FLOATS SWITCHES	
28 NEW 3-POLE MOTOR DISCONNECT SWITCH, NON-FUSIBLE IN A NEMA 4X STAINLESS STEEL ENCLOSURE.	
29 1" C FOR PRESSURE TRANSMITTER W/ MFG. CABLE	



THESE ARE NOT CONSTRUCTION DRAWINGS. THE INFORMATION HEREIN CONTAINED SHALL ONLY BE USED AS GENERAL GUIDELINE OF THE INTENDED OPERATION AND FUNCTIONS AND SHALL NOT BE CONSTRUED AS ALL INCLUSIVE. ENGINEERS OF RECORD AND CONSULTANTS USING THESE GUIDELINES SHALL VERIFY AND MODIFY ANY REQUIREMENT NOT NECESSARILY SHOWN AS MAY BE REQUIRED BY ANY AND ALL APPLICABLE CODES AND STANDARDS.

MIAMI-DADE COUNTY
 Delivering Excellence Every Day
WATER & SEWER DEPARTMENT
 3071 SW 38TH AVENUE
 MIAMI, FL 33146-1520
 305-665-7471
 www.miamidade.gov/water
UTILITY ENGINEERING & CONSTRUCTION DIV.
 3575 SOUTH LE JEUNE ROAD
 MIAMI, FL 33133
 786-552-4440

PCTS 0000/CONTRACT X-000 or RPQ/ERX0000
PUMPING STATION No. 0000 (STD. UPDATE 2019)
DRY WELL PUMPING STATION WITH GENERATOR
 PROJECT OFFICIAL ADDRESS
ELECTRICAL RISER DIAGRAM AND EMERGENCY GENERATOR BLDG. FLOOR PLAN

DRAWING HISTORY			
RELEASED FOR	DATE	BY	
X. REVIEW 00X			xx/xx/xx xxx
X. REVIEW 00X			
PERMIT			
BID			
AS-BUILT			
REVISIONS			
No.	DESCRIPTION	DATE	BY
Δ XXXXX	XXXXXX	xx/xx/xx	xxxx
Δ XXXXX	XXXXXX	xx/xx/xx	xxxx
APPROVALS			
DESIGNED: X.X.X.	DRAWN: X.X.X.		
UNIT HEAD: X.X.X.			
PROJECT MGR.: X.X.X.			
Xxxx Xxxxx, P.E. Xxxxx Engineer State of Florida-License No.00000 Date: _____			
FILE NAME: XXXXXE07.DWG			
DATE: xx/xx/20xx	SCALE: AS NOTED		
SHEET	E-7		
DWG. No. S-00000-D			