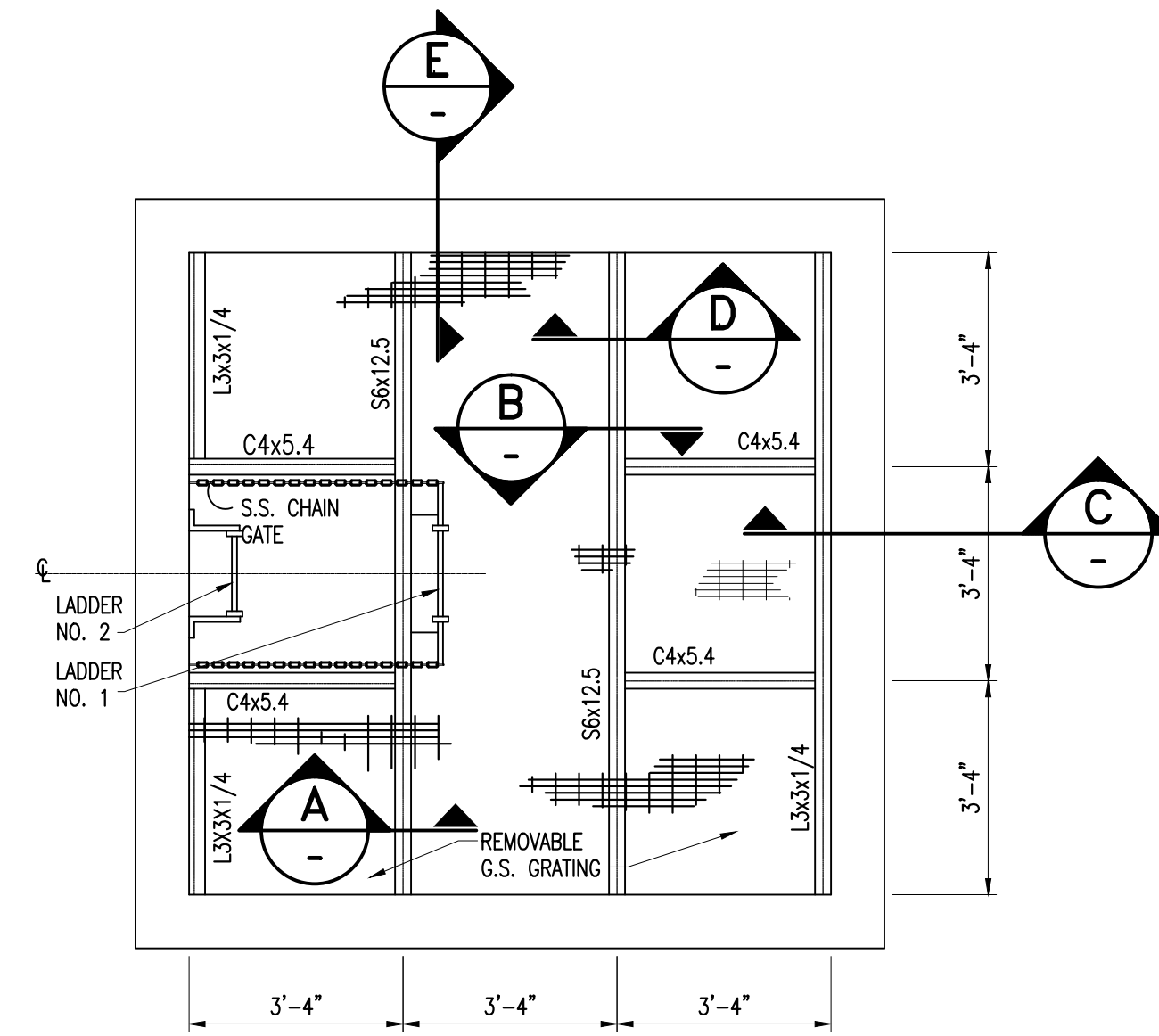
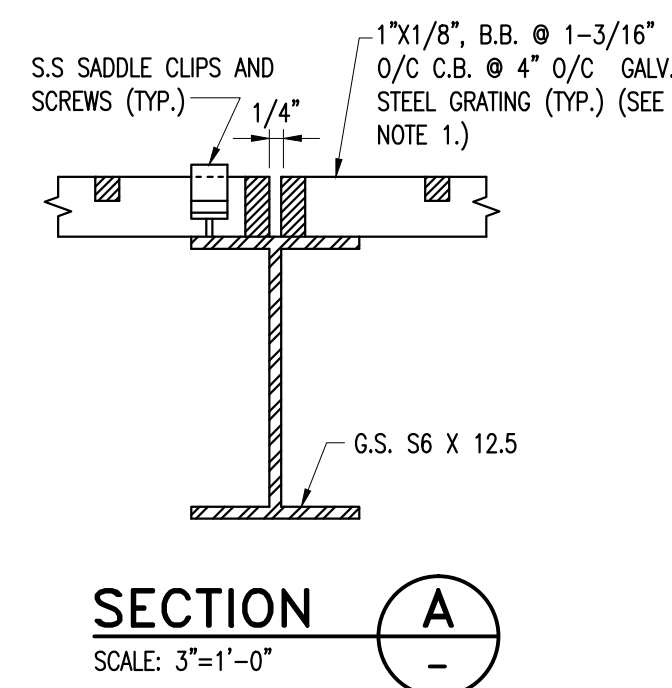


**PUMP STATION No. 0000**  
FACILITY OFFICIAL ADDRESS, FLORIDA 33100-0000  
**DRY WELL/ WET WELL SEWAGE PUMP STATION**  
2012 WASD DESIGN STANDARD  
**GRATING PLATFORM**

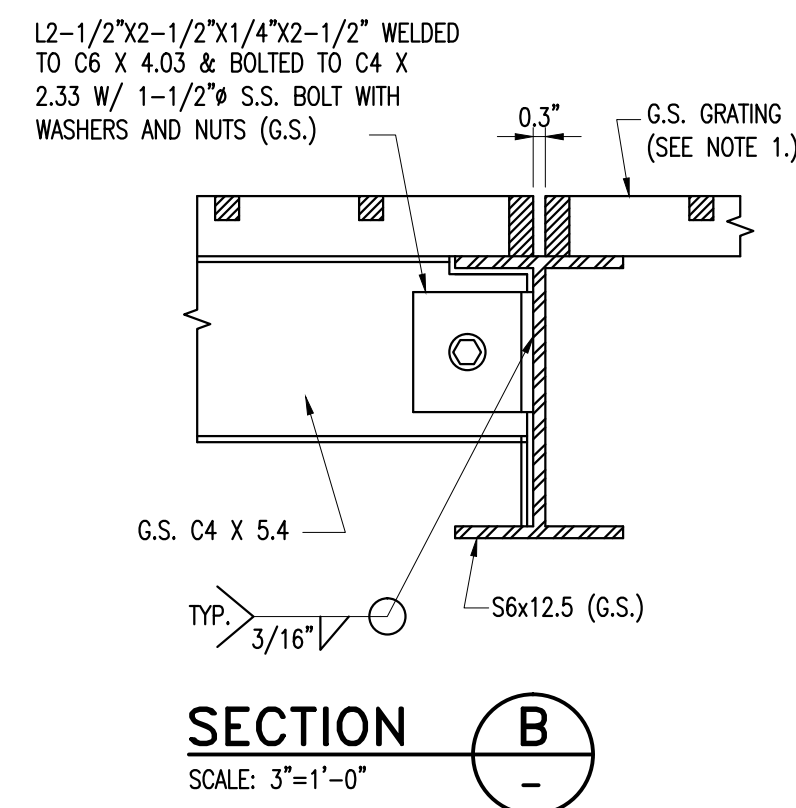


**GRATING PLATFORM PLAN**  
SCALE: 3/8"=1'-0"

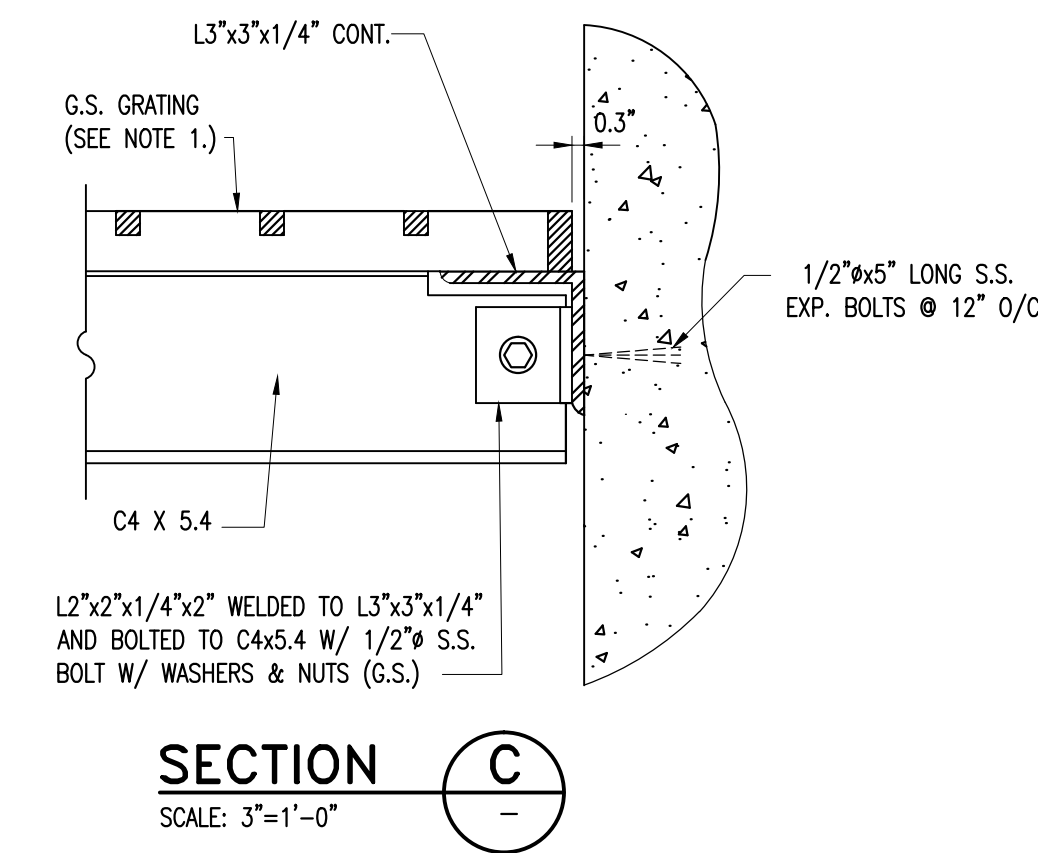
NOTE: CUT-OUT ON GRATING THE OPENINGS FOR THE PIPES. ACCORDING WITH THE SIZE AND LOCATION IN THE MECHANICAL DRAWING



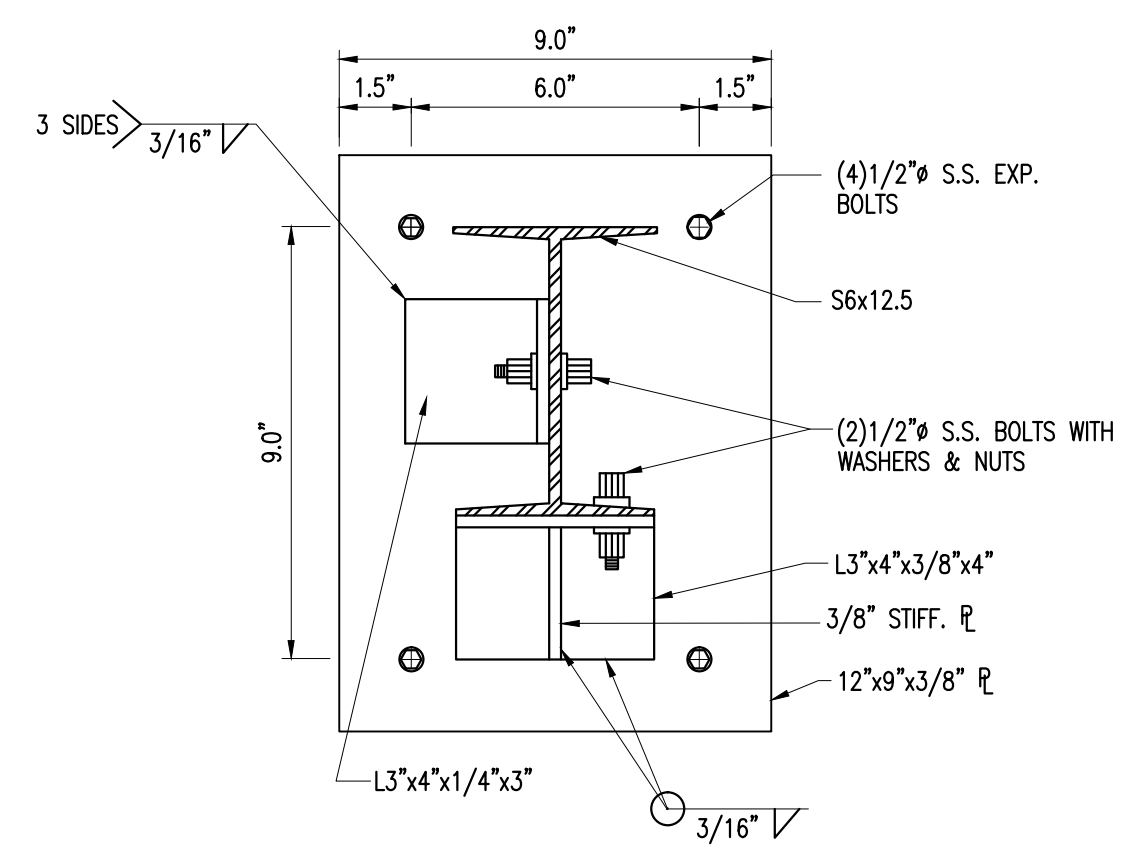
**SECTION A**  
SCALE: 3"=1'-0"



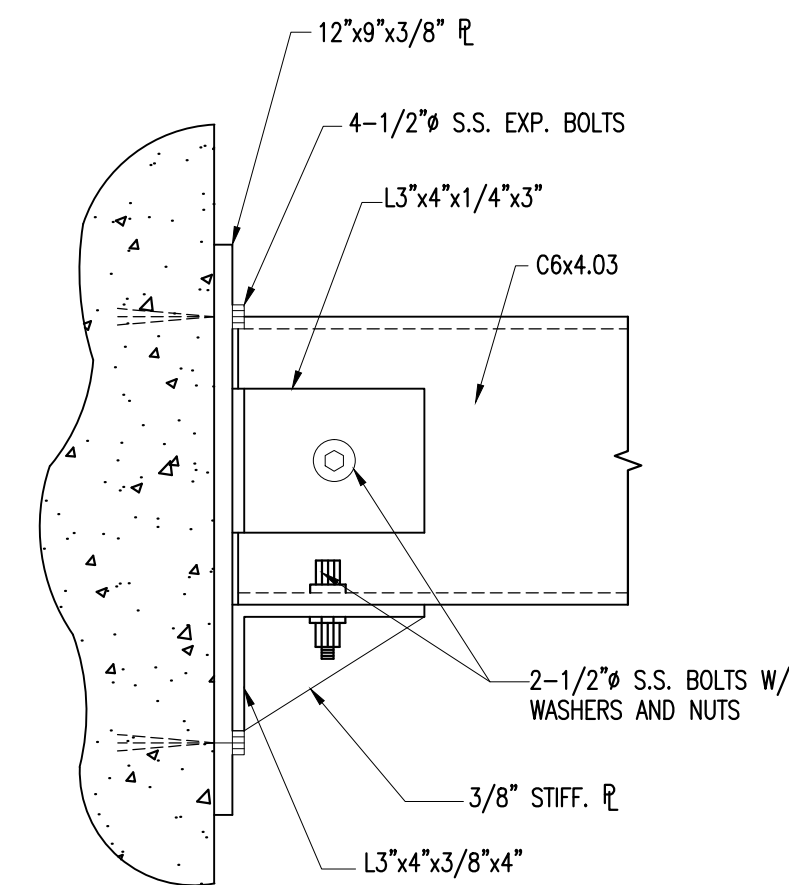
**SECTION B**  
SCALE: 3"=1'-0"



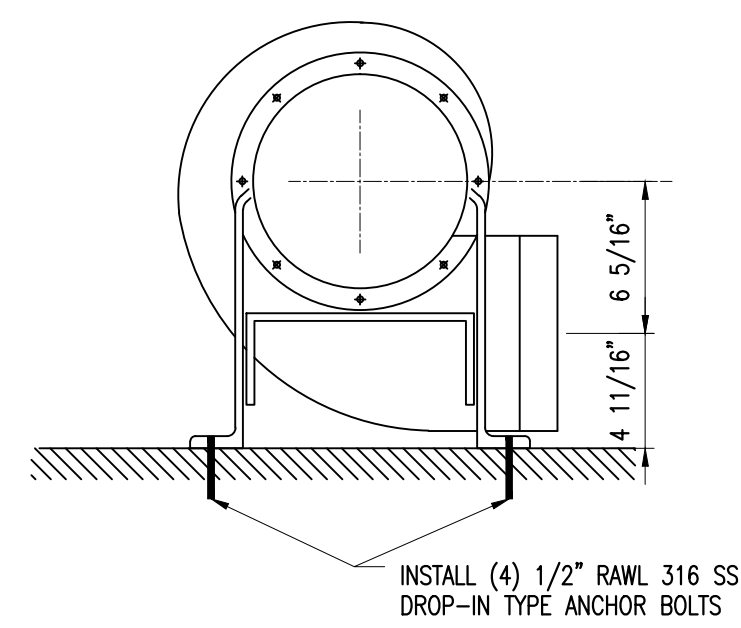
**SECTION C**  
SCALE: 3"=1'-0"



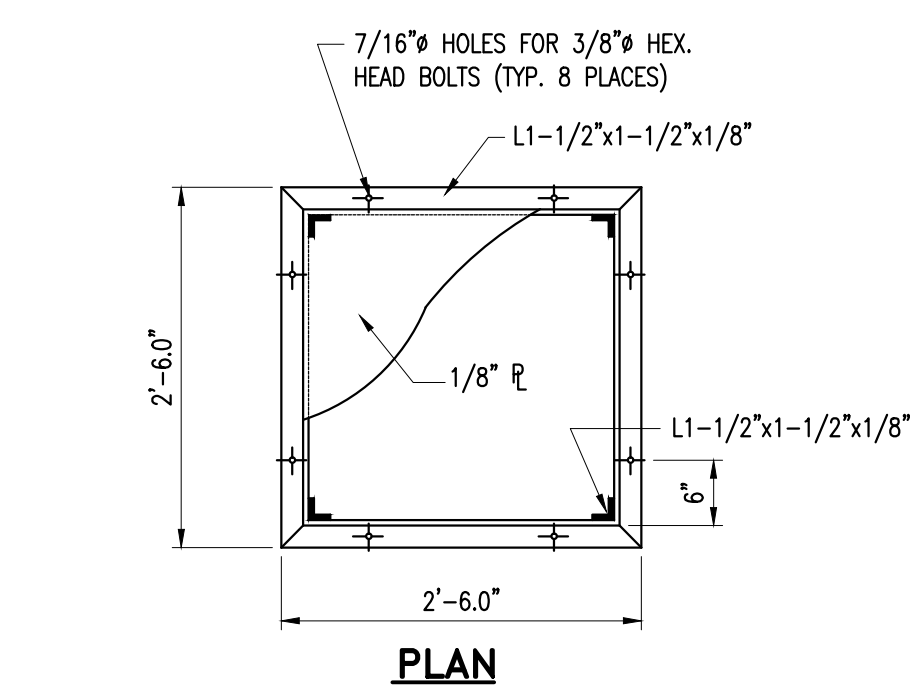
**SECTION D**  
SCALE: 3"=1'-0"



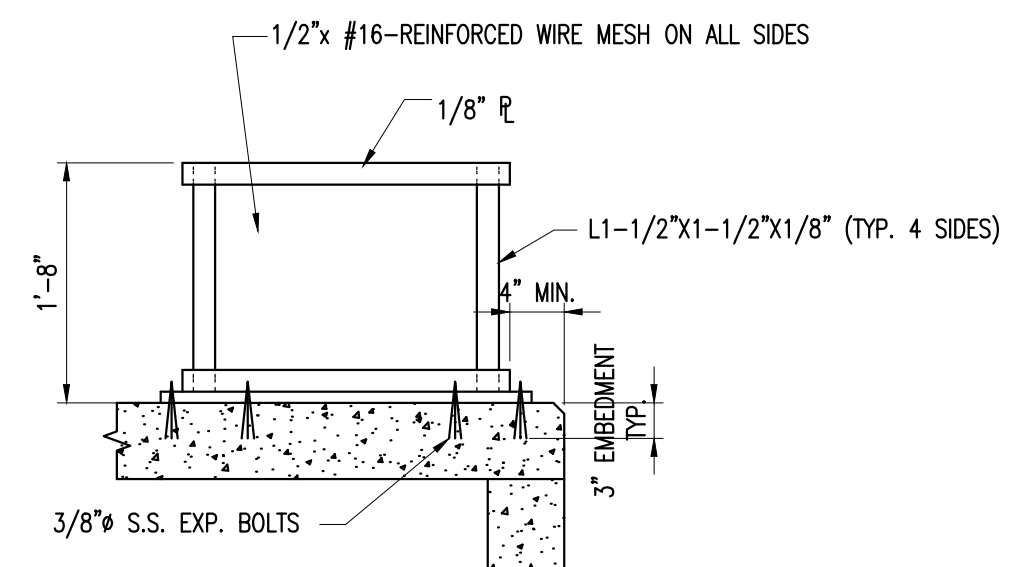
**SECTION E**  
SCALE: 3"=1'-0"



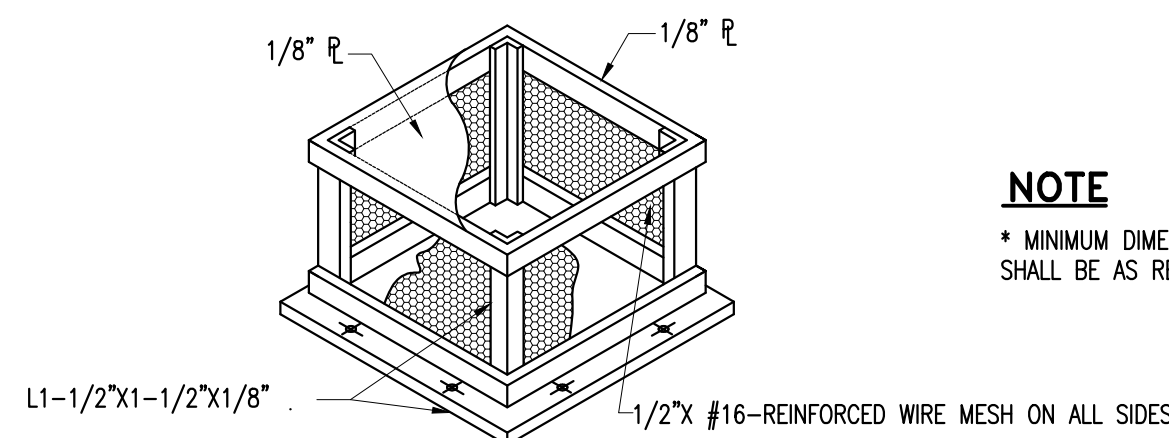
**EXHAUSTER FAN MOUNTING DETAIL**  
SCALE: 1 1/2"=1'-0"



**PLAN**



**SIDE PLAN**



**ISOMETRIC**

**NOTE**  
\* MINIMUM DIMENSIONS SHOWN ACTUAL DIMENSIONS SHALL BE AS REQUIRED TO SUIT FAN SIZE.

**NOTES:**

- 1.- GRATING MAY BE FIBERGLASS OR EQUAL LOAD BEARING CAPACITY(SUBMIT SHOP DRAWING FOR APPROVAL)
- 2.- PUMP SUPPORT BRACKETS SHALL BE HOT DIP GALVANIZED AFTER FABRICATION

**GENERAL NOTE**

THESE ARE NOT CONSTRUCTION DRAWINGS, BUT ARE GUIDELINES FOR MINIMUM DESIGN REQUIREMENTS. THE USER SHALL VERIFY AND MODIFY INFORMATION SHOWN HEREON IN ACCORDANCE WITH ALL APPLICABLE CODES AND STANDARDS, TO COMPLY WITH THE REQUIREMENTS OF THEIR DESIGN AND MD-WASD REQUIREMENTS.

**GALV. STL. WET WELL FAN PROTECTIVE COVER**  
SCALE: 3/4" = 1'-0"

**DRAWING HISTORY**

RELEASED FOR	DATE	BY
REVIEW 30%		
REVIEW 70%		
REVIEW 100%		
PERMIT		

**REVISIONS**

No.	DESCRIPTION	DATE	BY

**APPROVALS**

CHIEF ENGINEER: \_\_\_\_\_  
SECTION HEAD: \_\_\_\_\_  
PROJECT MGR.: \_\_\_\_\_  
DESIGNED: X.X.X. CHECKED: X.X.X.  
DRAWN: X.X.X. FINAL CHECK: X.X.X.

XXXXXXXX XXXXX, P.E.  
XXXXXXXXXXXX Engineer  
State of Florida - License No. 00000  
Date: \_\_\_\_\_

ER No. : S000000 PCTS No. : 00000

FILE NAME: 00000S04.DWG

DATE: AUG. 28, 2012 SCALE: AS NOTED

SHEET **S-4**

DWG. No. **S-00000-A**