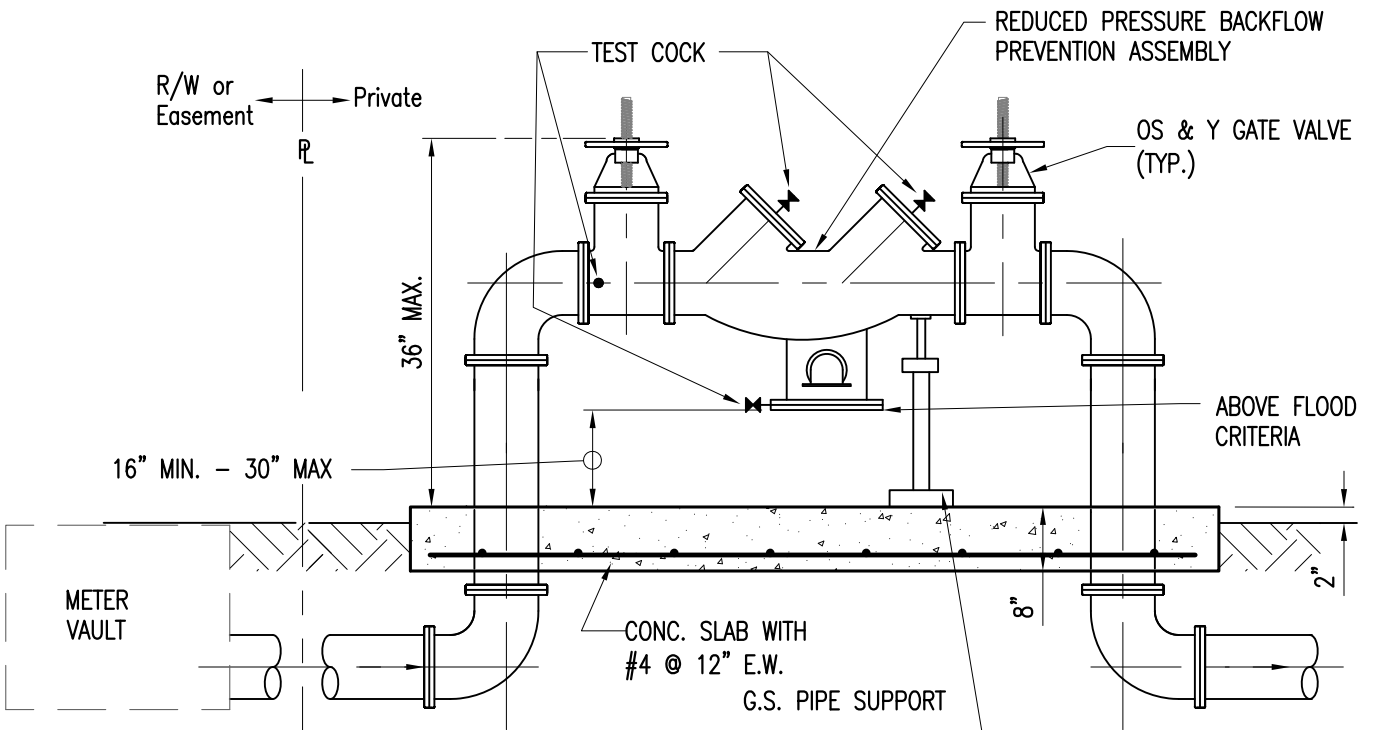


PLAN VIEW



ELEVATION VIEW

GUARD POST DETAIL	WS 4.5	
ITEM	CROSS REF.	SPEC. REF.



ISSUE DATE	APPROVED BY
6/26/2012	F.A.
3/22/2022	S.G.

STANDARD DETAIL
 REDUCED PRESSURE ZONE
 BACKFLOW PREVENTER
 FOR WATER SERVICE
 4" THRU 8"

WS
 4.18
 SHEET 2 OF 3