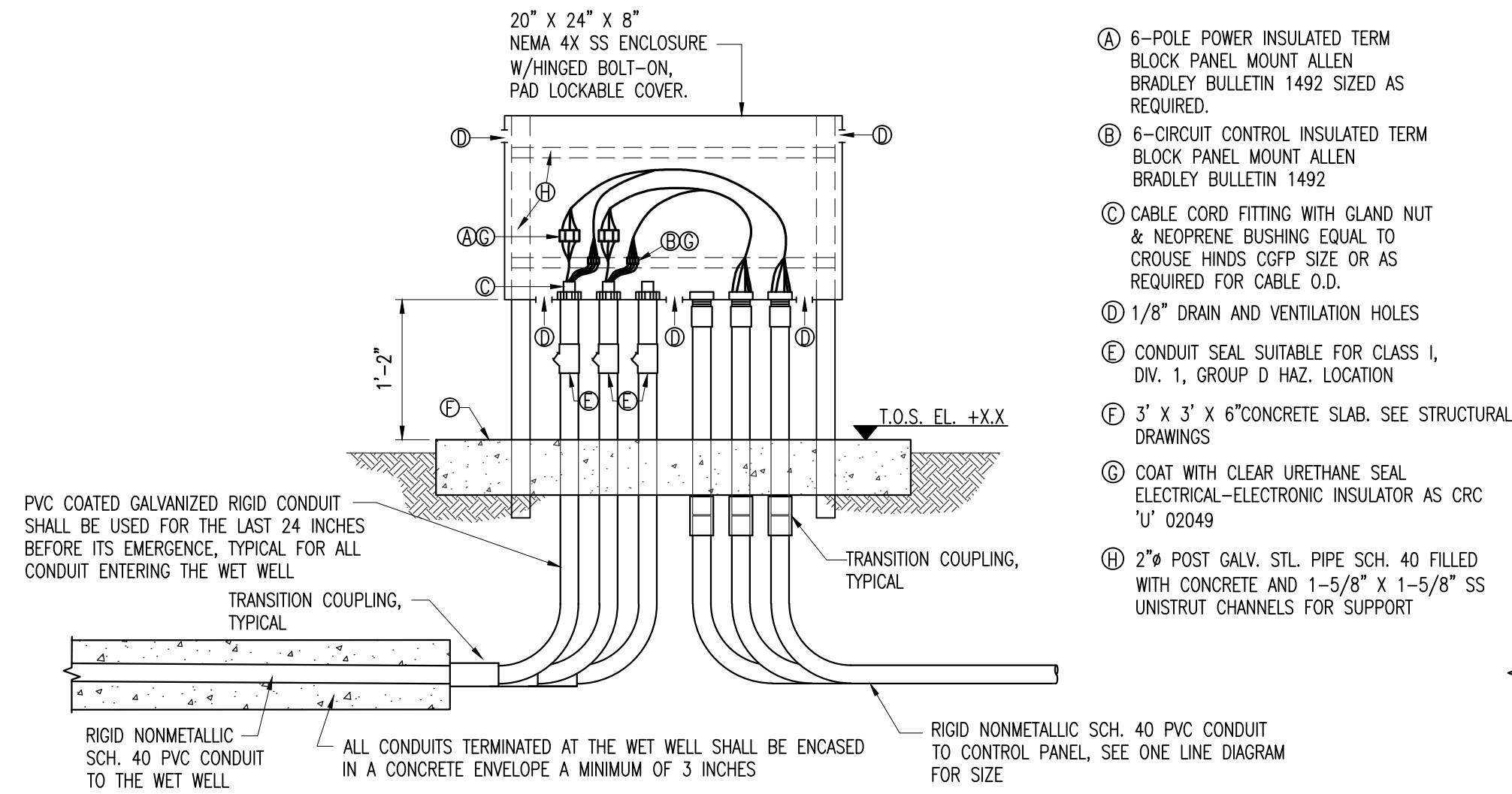


NOTE:
SEE GROUNDING NOTES ON SHEET E-5.

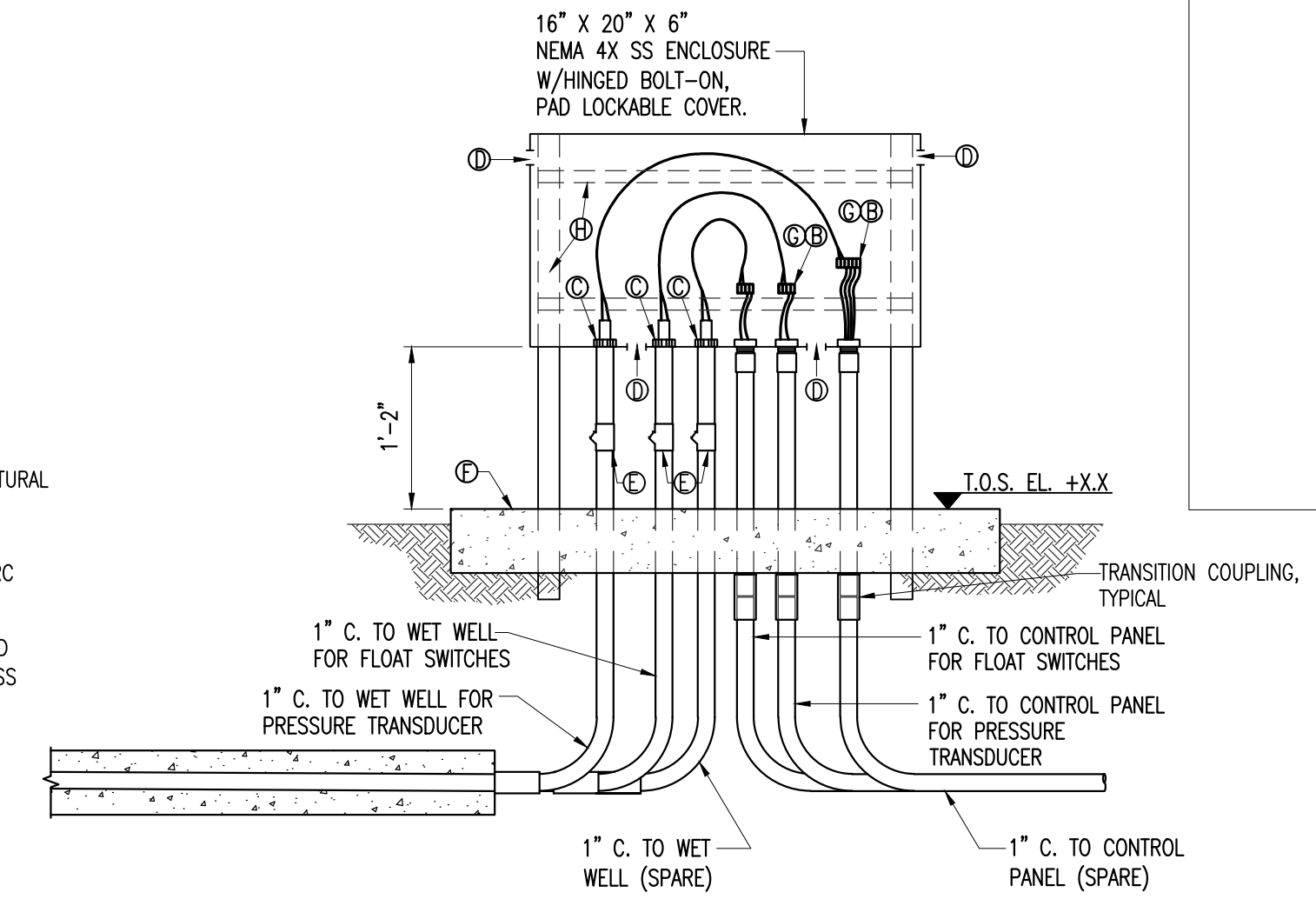
TYPICAL GROUND ROD INSTALLATION DETAIL

N.T.S.



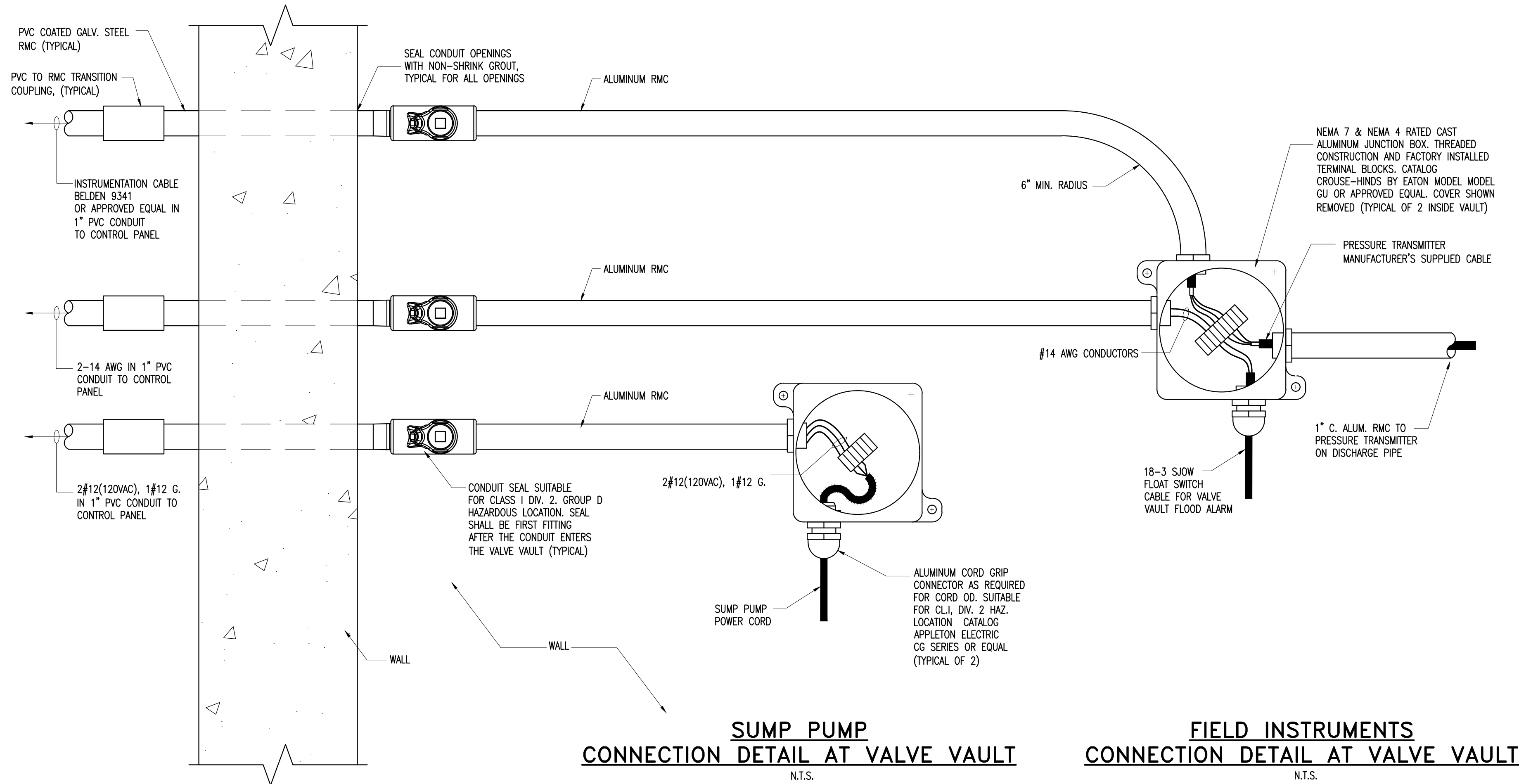
MOTOR CONNECTION BOX DETAIL

N.T.S.



CONTROL CONNECTION BOX DETAIL

N.T.S.



SUMP PUMP CONNECTION DETAIL AT VALVE VAULT

N.T.S.

FIELD INSTRUMENTS CONNECTION DETAIL AT VALVE VAULT

N.T.S.

THESE ARE NOT CONSTRUCTION DRAWINGS. THE INFORMATION HEREIN CONTAINED SHALL ONLY BE USED AS GENERAL GUIDELINE OF THE INTENDED OPERATION AND FUNCTIONS AND SHALL NOT BE CONSTRUED AS ALL INCLUSIVE. ENGINEERS OF RECORD AND CONSULTANTS USING THESE GUIDELINES SHALL VERIFY AND MODIFY ANY REQUIREMENT NOT NECESSARILY SHOWN AS MAY BE REQUIRED BY ANY AND ALL APPLICABLE CODES AND STANDARDS.

MIAMI-DADE COUNTY
 Delivering Excellence Every Day
WATER & SEWER DEPARTMENT
 3071 SW 38TH AVENUE
 MIAMI, FL 33146-1520
 305-685-7471
 www.miamidade.gov/water
 UTILITY ENGINEERING & CONSTRUCTION DIV.
 3575 SOUTH LE JEUNE ROAD
 MIAMI, FL 33133
 786-552-4440

PCTS 0000/CONTRACT X-000 or RPQ/ERX00000
PUMPING STATION No. 0000 (STD. UPDATE 2019)
SUBMERSIBLE PUMPING STATION WITH GENERATOR
 PROJECT OFFICIAL ADDRESS
MISCELLANEOUS ELECTRICAL DETAILS

DRAWING HISTORY			
RELEASED FOR	DATE	BY	
X REVIEW 00%	xx/xx/xx	xxx	xxx
X REVIEW 00%			
PERMIT			
BID			
AS-BUILT			
REVISIONS			
No.	DESCRIPTION	DATE	BY
Δ XXXXXX	XXXXXXXX	xx/xx/xx	xxx
APPROVALS			
DESIGNED: X.X.X.	DRAWN: X.X.X.		
UNIT HEAD: X.X.X.			
PROJECT MGR: X.X.X.			

Xxxx Xxxxx, P.E.
 Xxxxx Engineer
 State of Florida—License No.00000
 Date: _____
 FILE NAME: XXXXXE08.DWG
 DATE: xx/xx/20xx SCALE: AS NOTED
SHEET E-8
 DWG. No. S-00000-D