

PROJECT No. 20230004

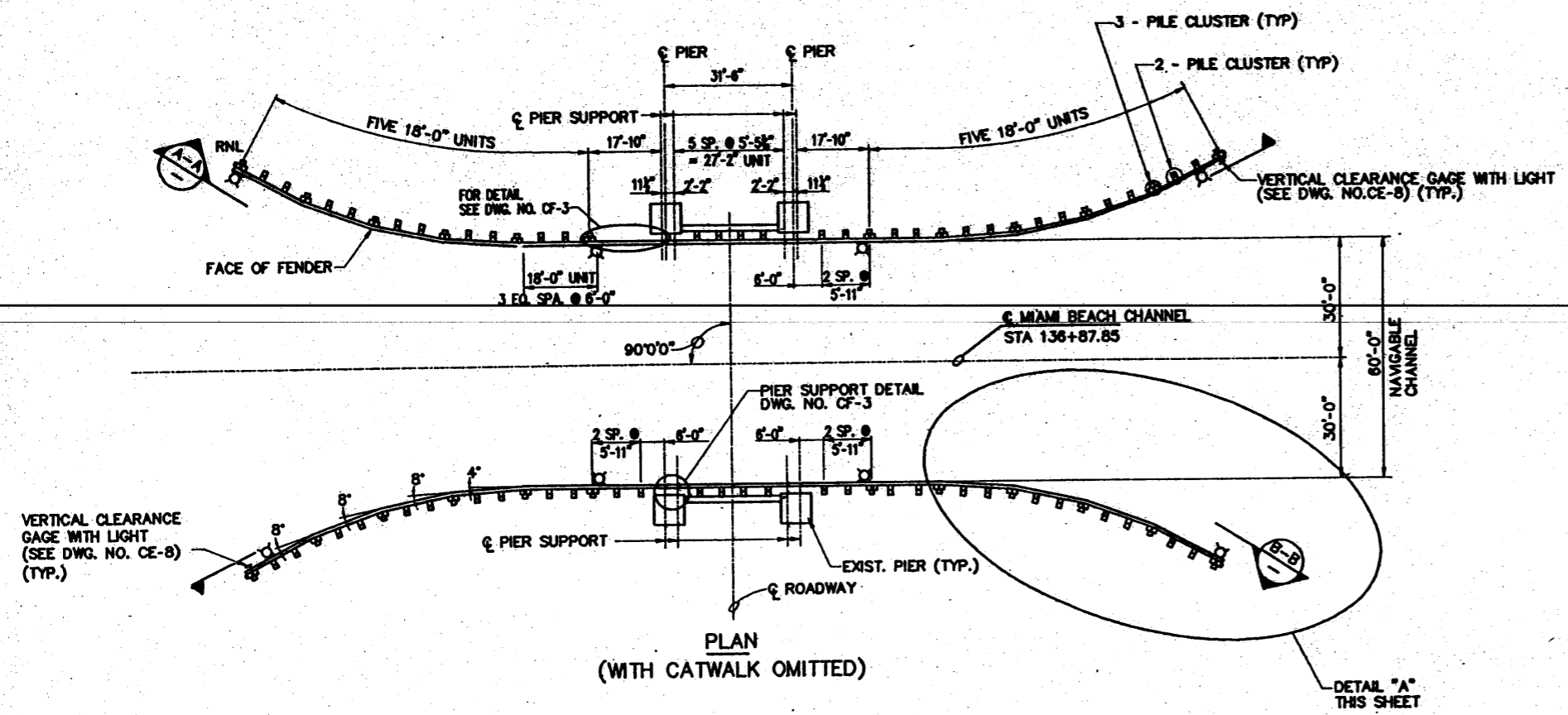
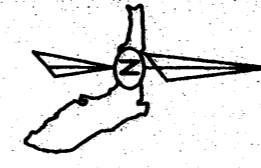
Venetian Causeway Bridges No. 874459 and No. 874474

Hurricane Irma Repairs

EXISTING PLANS BRIDGE No. 874474

2020094 BX2-1
FOR INFORMATION ONLY

874474 - EAST

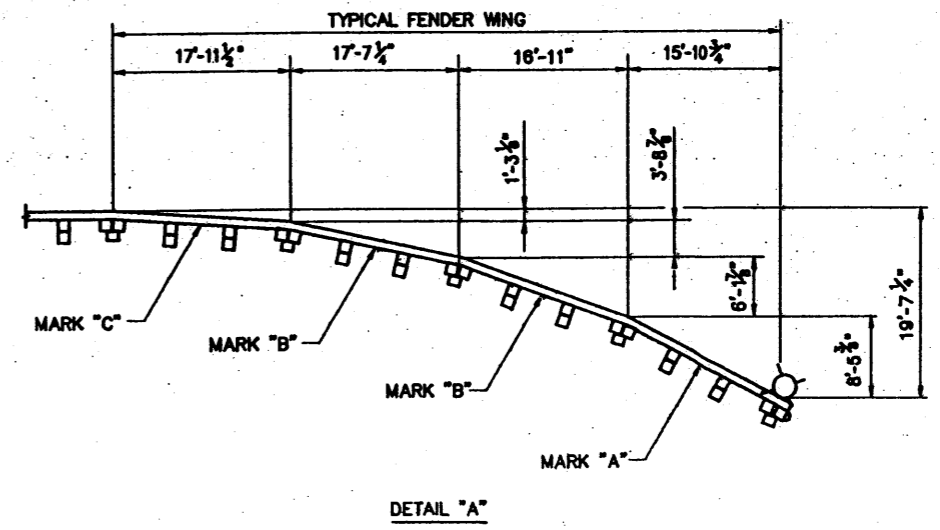
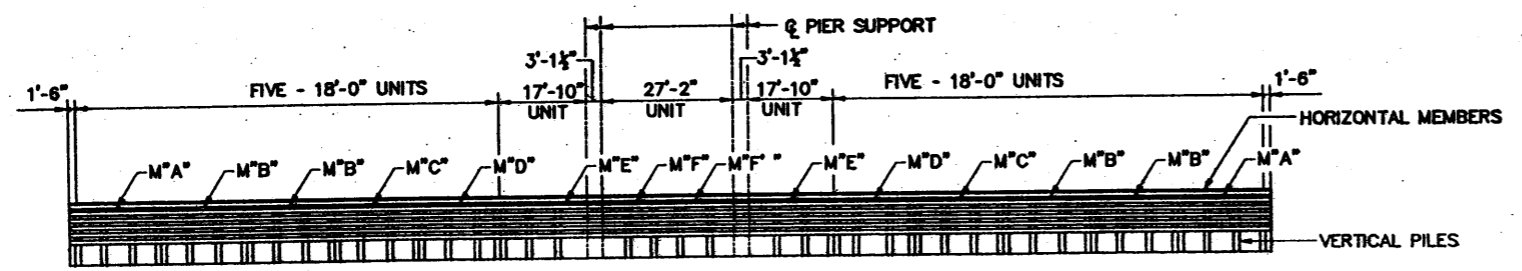
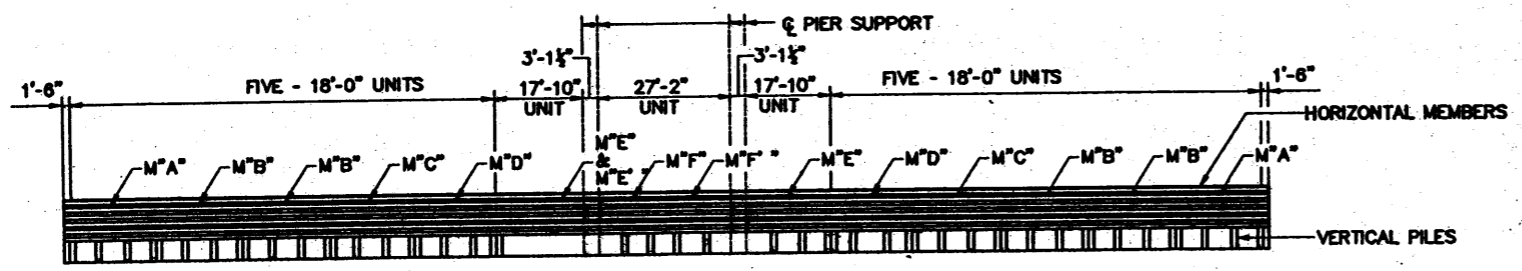


NOTES

- DISTANCE BETWEEN ALL ADJACENT PILE CLUSTERS SHALL BE 6'-0" UNLESS OTHERWISE SHOWN.
- EXISTING PILES AND WALERS SHALL BE REMOVED.
- ALL PILES SHALL BE 14" SQ. PRESTRESSED CONCRETE PILES.
- PILE BATTER IS 4:12, UNLESS OTHERWISE SHOWN.
- DIMENSIONS ARE SYMMETRICAL ABOUT Q ROADWAY AND Q CHANNEL U.O.N.
- FOR NAVIGATION AND GAGE LIGHTING REFER TO ELECTRICAL DETAILS, DWG. NO. CE-8.
- ALL BOLTS, ANCHORS SHALL BE ASTM A-307, UNLESS OTHERWISE NOTED.
- ALL BOLTS, ANCHORS, WASHERS, CLIPS, CABLES, AND NAILS TO BE GALVANIZED IN ACCORDANCE WITH SECTION 962-7 OF THE SPECIFICATIONS.
- THE STRANDS AT THE TOP OF THE PILE SHALL BE BURNED OFF ONE INCH INTO THE CONCRETE AND PATCHED WITH EPOXY GROUT.
- ANY DAMAGE TO THE HEAD OF THE PILES AFTER DRIVING MUST BE REPAIRED WITH EPOXY GROUT.
- ALL TIMBER TO BE ROUGH-CUT AND SHALL RECEIVE "SALT WATER" TREATMENT IN ACCORDANCE WITH SECTION 955 OF THE SPECIFICATIONS, UNLESS OTHERWISE SPECIFIED.
- ALL TIMBER SHALL BE CUT TO DIMENSIONS SHOWN PRIOR TO TREATMENT.
- PAYMENT FOR INCIDENTAL ITEMS NOT SPECIFICALLY COVERED IN INDIVIDUAL BID ITEMS SHALL BE INCLUDED IN THE CONTRACT PRICES FOR BID ITEMS.
- DOMEHAD BOLTS SHALL HAVE SLOTS OR HOLES ON HEADS FOR 60d NAILS.
- THE COST OF ALL HARDWARE, CABLES, ERECTING CLEARANCE GAGE SIGNS, ETC, SHALL BE INCLUDED IN THE CONTRACT UNIT PRICE FOR PAY ITEM 470-1, TREATED TIMBER STRUCTURAL.

LEGEND

⊠ PIER LIGHT



REVISIONS					
Date	By	Description	Date	By	Description
25MAY95	DR	CHANGED PILE SPACING NEXT TO PIERS, AND ADDED VIEW 3-3			

Names	Dates
Drawn by LDC	17 APR 95
Checked by REP	17 APR 95
Designed by RPD	17 APR 95
Checked by RRR	17 APR 95
Approved by RR RNAS, P.E.	

ENGINEER OF RECORD:
DAVID VOLKERT & ASSOCIATES, INC
4960 S.W. 72nd Avenue
Suite 201
Miami, Florida 33155

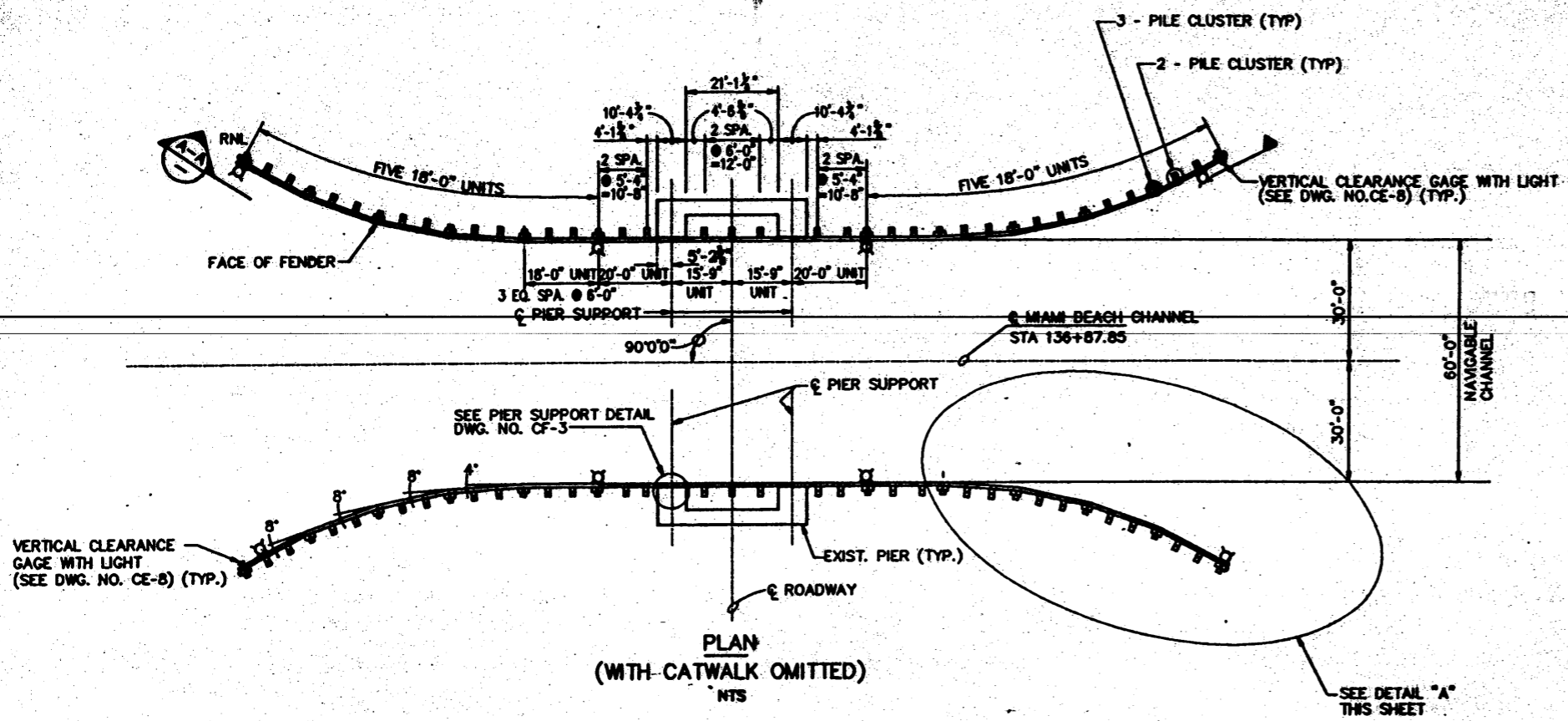
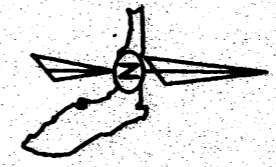
LOGO:
DAVID VOLKERT & ASSOCIATES, INC.
MIAMI, MOBILE, ALEXANDRIA, BIRMINGHAM, DETROIT, TAMPA

SEAL:

FLORIDA DEPARTMENT OF TRANSPORTATION STRUCTURES DESIGN OFFICE		
ROAD NO. N/A	COUNTY DADE	PROJECT NO. 87100-3603

SHEET TITLE: FENDER SYSTEM REPAIRS	Drawing No. CF-1
PROJECT NAME: VENETIAN CAUSEWAY HISTORICAL BRIDGE RENOVATIONS	Index No.

20200094 BX2-2
FOR INFORMATION ONLY

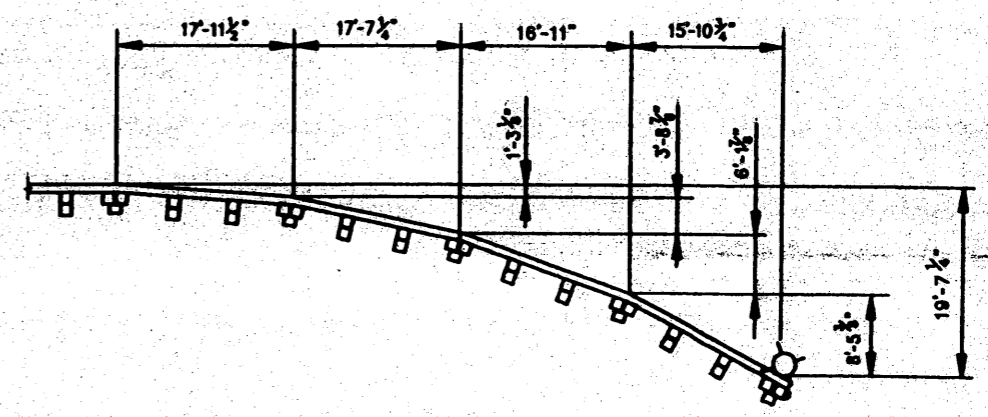
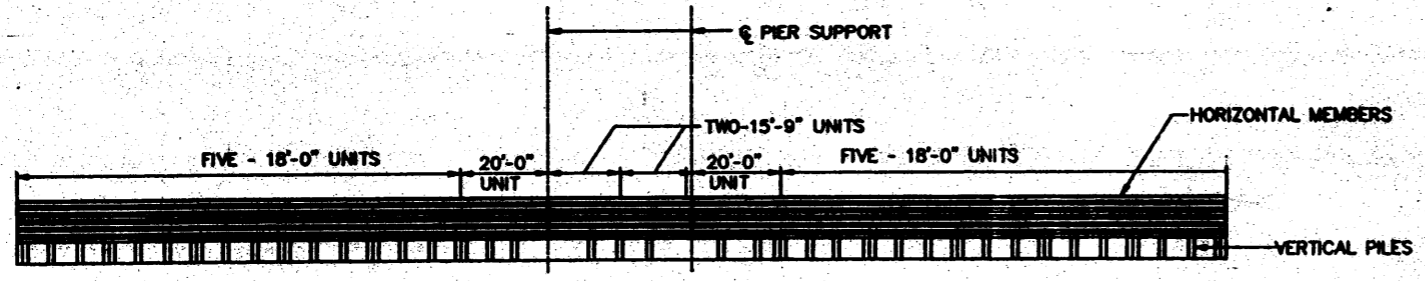


NOTES

- DISTANCE BETWEEN ALL ADJACENT PILE CLUSTERS SHALL BE 6'-0" UNLESS OTHERWISE SHOWN.
- EXISTING PILES SHALL BE REMOVED.
- ALL PILES SHALL BE 14" SQ. PRESTRESSED CONCRETE PILES.
- PILE BATTER IS 4:12, UNLESS OTHERWISE SHOWN.
- DIMENSIONS ARE SYMMETRICAL ABOUT \bar{C} ROADWAY AND \bar{C} CHANNEL.
- FOR NAVIGATION AND GAGE LIGHTING REFER TO ELECTRICAL DETAILS, DWG NO. CE-8.
- ALL BOLTS, ANCHORS SHALL BE ASTM A-307, UNLESS OTHERWISE NOTED.
- ALL BOLTS, ANCHORS, WASHERS, CLIPS, CABLES, AND NAILS TO BE GALVANIZED IN ACCORDANCE WITH SECTION 982-7 OF THE SPECIFICATIONS.
- THE STRANDS AT THE TOP OF THE PILE SHALL BE BURNED OFF ONE INCH INTO THE CONCRETE AND PATCHED WITH EPOXY GROUT.
- ANY DAMAGE TO THE HEAD OF THE PILES AFTER DRIVING MUST BE REPAIRED WITH EPOXY GROUT.
- ALL TIMBER TO BE ROUGH-CUT AND SHALL RECEIVE "SALT WATER" TREATMENT IN ACCORDANCE WITH SECTION 955 OF THE SPECIFICATIONS, UNLESS OTHERWISE SPECIFIED.
- ALL TIMBER SHALL BE CUT TO DIMENSIONS SHOWN PRIOR TO TREATMENT.
- PAYMENT FOR INCIDENTAL ITEMS NOT SPECIFICALLY COVERED IN INDIVIDUAL BID ITEMS SHALL BE INCLUDED IN THE CONTRACT PRICES FOR BID ITEMS.
- DOMEHOLE BOLTS SHALL HAVE SLOTS OR HOLES ON HEADS FOR 60d NAILS.
- THE COST OF ALL HARDWARE, CABLES, ERECTING CLEARANCE GAGE SIGNS, ETC. SHALL BE INCLUDED IN THE CONTRACT UNIT PRICE FOR PAY ITEM 470-1, TREATED TIMBER STRUCTURAL.

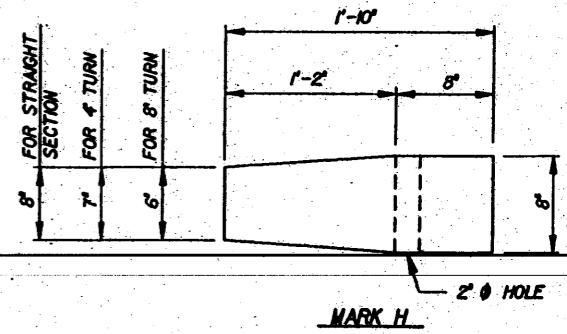
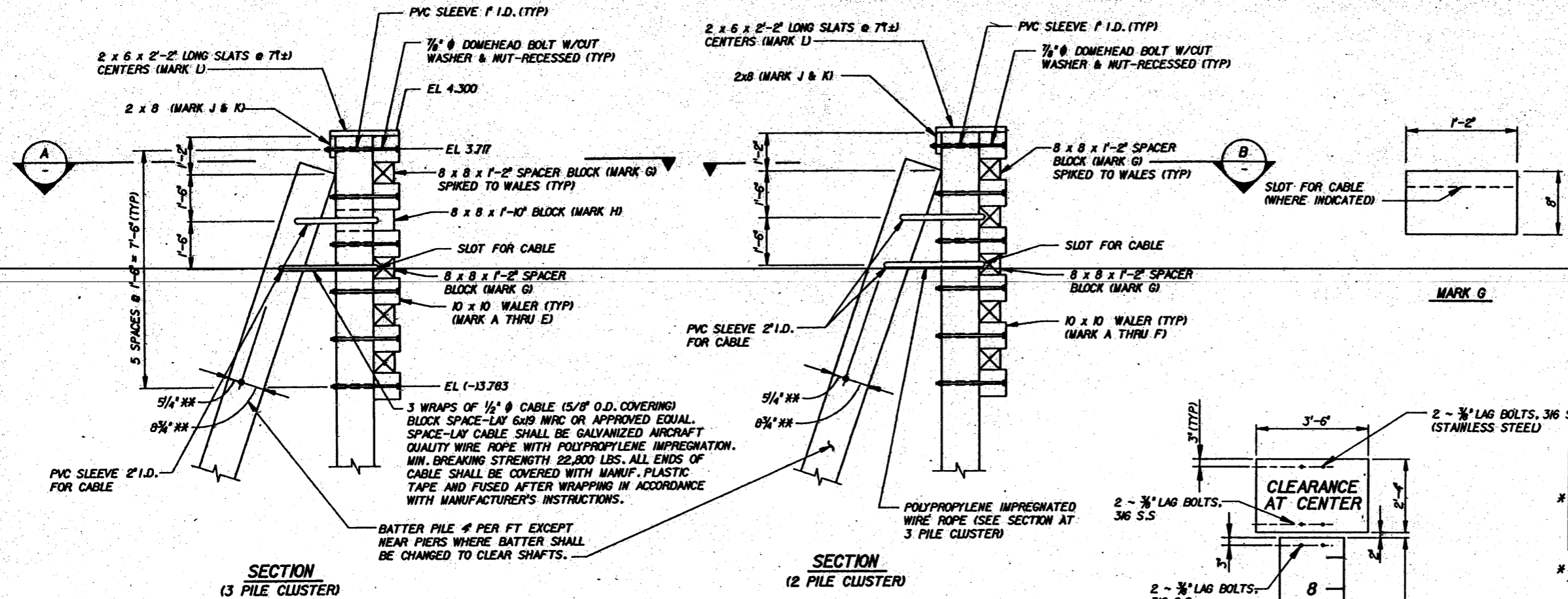
LEGEND

PIER LIGHT



REVISIONS					Names		Dates		ENGINEER OF RECORD:	LOGO:	SEAL:	FLORIDA DEPARTMENT OF TRANSPORTATION STRUCTURES DESIGN OFFICE	SHEET TITLE:		Drawing No.					
Date	By	Description	Date	By	Description	Drawn by	Checked by	Designed by					Checked by	Approved by		ROAD NO.	COUNTY	PROJECT NO.	PROJECT NAME:	Index No.
						LOG	REP	RED	RZR	RK/RMS, PE	17 APR 95	17 APR 95	17 APR 95	17 APR 95	N/A	DADE	37100-3603	FENDER SYSTEM REPAIRS	CF-1	
DAVID VOLKERT & ASSOCIATES, INC 4960 S.W. 72nd Avenue Suite 201 Miami, Florida 33155										DAVID VOLKERT & ASSOCIATES, INC. MIAMI, MIAMI BEACH, MIAMI GARDENS, MIAMI, TAMPA		N/A		DADE		37100-3603		VENETIAN CAUSEWAY HISTORICAL BRIDGE RENOVATIONS		

2020094 BX2-4
FOR INFORMATION ONLY

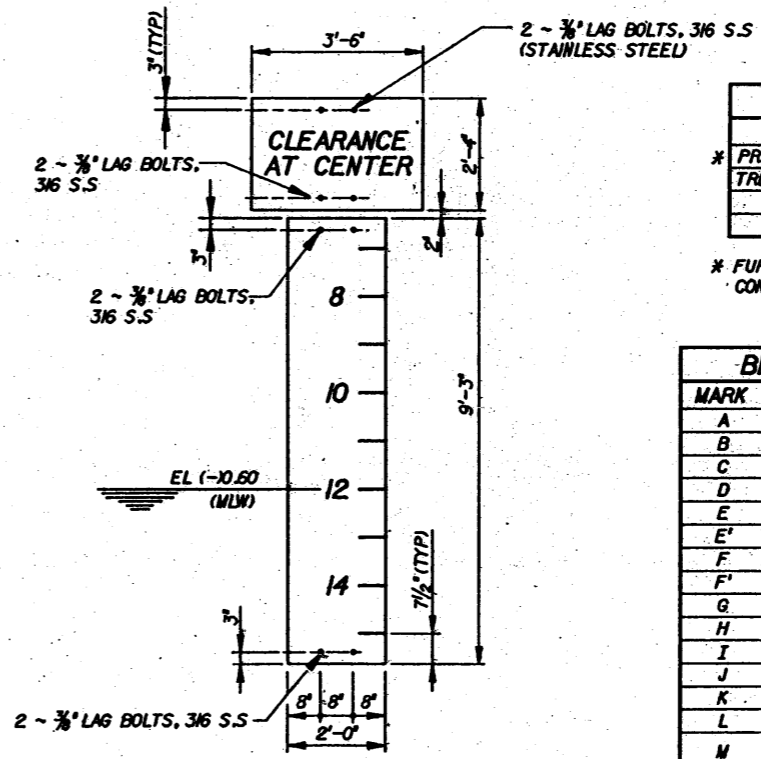


SPACER BLOCKS
(PLAN VIEW)

ESTIMATED QUANTITIES		
ITEM	UNIT	QUANTITY
* PRESTRESSED CONCRETE PILING (14' SQ)	LF	7,200
TREATED STRUCTURAL TIMBER	MB	34

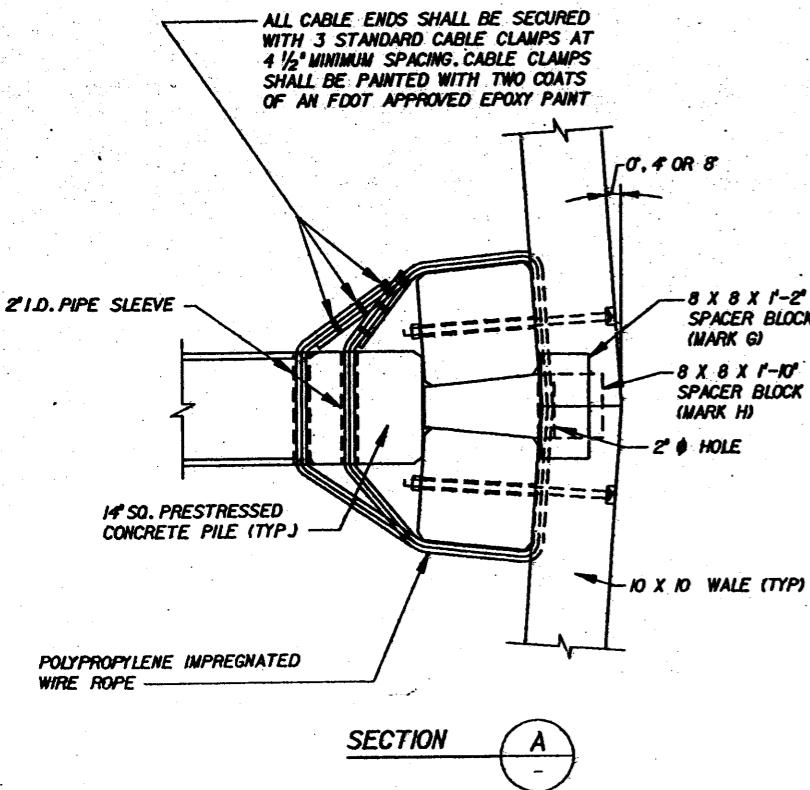
* FURNISHED LENGTHS OF 14' SQUARE PRESTRESSED CONCRETE PILING SHALL BE 40 FEET.

BILL OF TREATED STRUCTURAL TIMBER					
MARK	SIZE	LENGTH	NO. REQD	MB	CUTTING DIAGRAM
A	10' x 10'	18'-0"	24	3.90	4V 18'-6"
B	10' x 10'	18'-0"	48	7.20	4V 18'-0"
C	10' x 10'	18'-0"	24	3.60	4V 18'-0"
D	10' x 10'	18'-0"	24	3.60	2' 18'-0"
E	10' x 10'	17'-10"	24	3.57	17'-0"
E'	10' x 10'	15'-5"	6	0.77	15'-5"
F	10' x 10'	14'-0"	12	1.4	13'-11/16"
F'	10' x 10'	13'-6"	12	1.95	13'-5/16"
G	8' x 8'	1'-2"	406	2.53	SEE DETAIL
H	8' x 8'	1'-10"	24	.24	SEE DETAIL
I	8' x 8'	1'-7"	10	0.08	1'-7"
J	2' x 8'	18'-0"	20	0.48	18'-0"
K	2' x 8'	12'-6"	3	0.05	12'-6"
L	2' x 6'	2'-2"	1004	2.18	2'-2"
M	12' x 10'	14'-10"	2	0.296	MOUNTING TIMBER FOR GAGE-CUT TO FIT
N	10' x 10'	8'-4"	16	1.11	8'-4"
O	10' x 7'	2'-0"	48	0.80	2'-0"

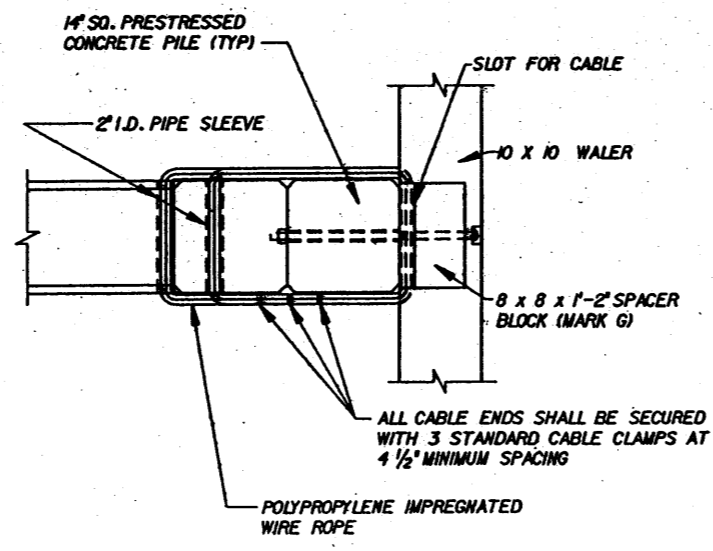


CLEARANCE GAGE DETAIL
(TO BE MOUNTED ON FENDER IN TWO LOCATIONS, SEE PLAN)

- CLEARANCE GAGE NOTES:**
1. SET GAGE TO READ 12 AT EL (-10.60). CONTRACTOR SHALL VERIFY IN THE FIELD THAT THE CLEARANCE OF THE BRIDGE AGREES WITH READING OF THE GAGE. IF NOT, THE GAGE SHALL BE RE-SET.
 2. SIGNS SHALL BE FURNISHED AND INSTALLED BY THE CONTRACTOR. TYPE II-A REFLECTIVE SHEETING SHALL BE APPLIED TO THE SIGN FACE. LETTERS SHALL BE 6 INCHES, BLACK ON WHITE BACKGROUND.
 3. MOUNTING TIMBER TO BE 10' x 10' x 14'-0" (MARK M) CUT TO FIT.



SECTION A



SECTION B

** DIMENSIONS FOR PVC SLEEVE ARE SHOWN FOR 14' PILE WITH 8 STRANDS. ADJUST LOCATIONS AS REQUIRED FOR OTHER STRAND ARRANGEMENTS.

3 WRAPS OF 1/2" Ø CABLE (5/8" O.D. COVERING) BLOCK SPACE-LAY 6x19 MRC OR APPROVED EQUAL. SPACE-LAY CABLE ROPE SHALL BE GALVANIZED AIRCRAFT QUALITY WIRE ROPE WITH POLYPROPYLENE IMPREGNATION. MIN. BREAKING STRENGTH 22,800 LBS. ALL ENDS OF CABLE SHALL BE COVERED WITH MANUF. PLASTIC TAPE AND FUSED AFTER WRAPPING IN ACCORDANCE WITH MANUFACTURER'S INSTRUCTIONS.

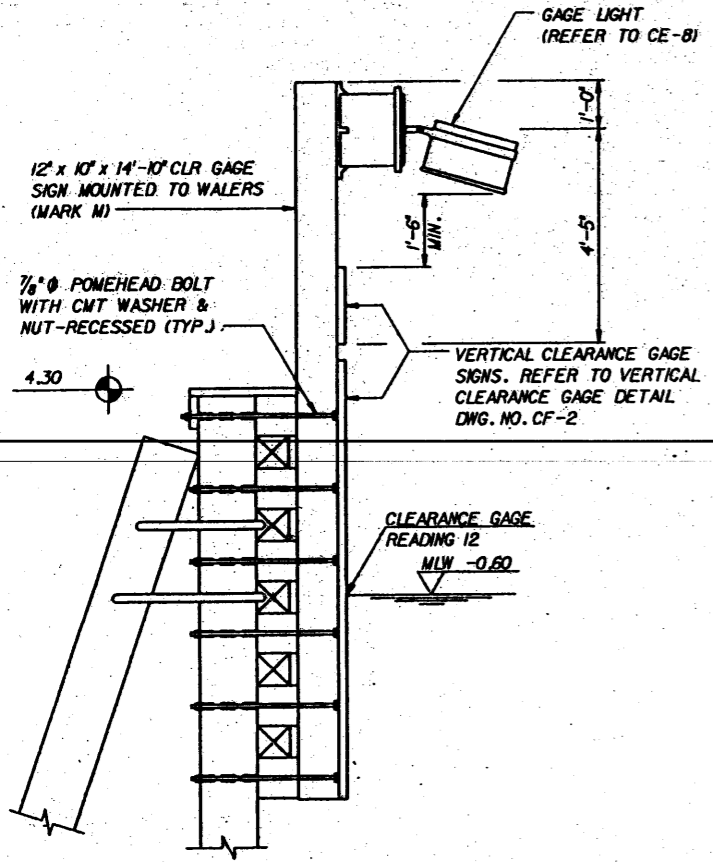
BATTER PILE 4 PER FT EXCEPT NEAR PIERS WHERE BATTER SHALL BE CHANGED TO CLEAR SHAFTS.

SECTION (3 PILE CLUSTER)

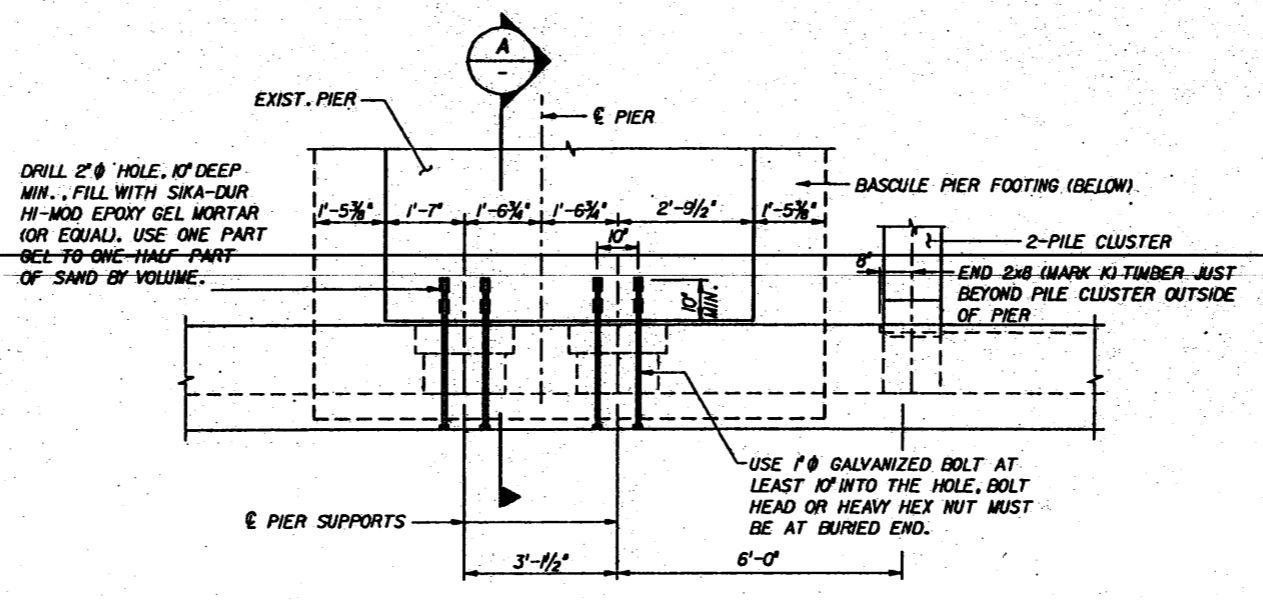
SECTION (2 PILE CLUSTER)

REVISIONS				Names		Dates		ENGINEER OF RECORD:	LOGO:	SEAL:	FLORIDA DEPARTMENT OF TRANSPORTATION STRUCTURES DESIGN OFFICE	SHEET TITLE: FENDER SYSTEM DETAILS (1 OF 2)	Drawing No. CF-2		
Date	By	Description	Date	By	Description	Date	By								
25MAY95	D.R.	REVISED BILL OF TREATED STRUCTURAL TIMBER						DAVID VOLKERT & ASSOCIATES, INC. 4960 S.W. 72nd Avenue Suite 201 Miami, Florida 33165			ROAD NO. N/A	COUNTY DADE	PROJECT NO. 87100-3603	PROJECT NAME: VENETIAN CAUSEWAY HISTORICAL BRIDGE RENOVATIONS	Index No.

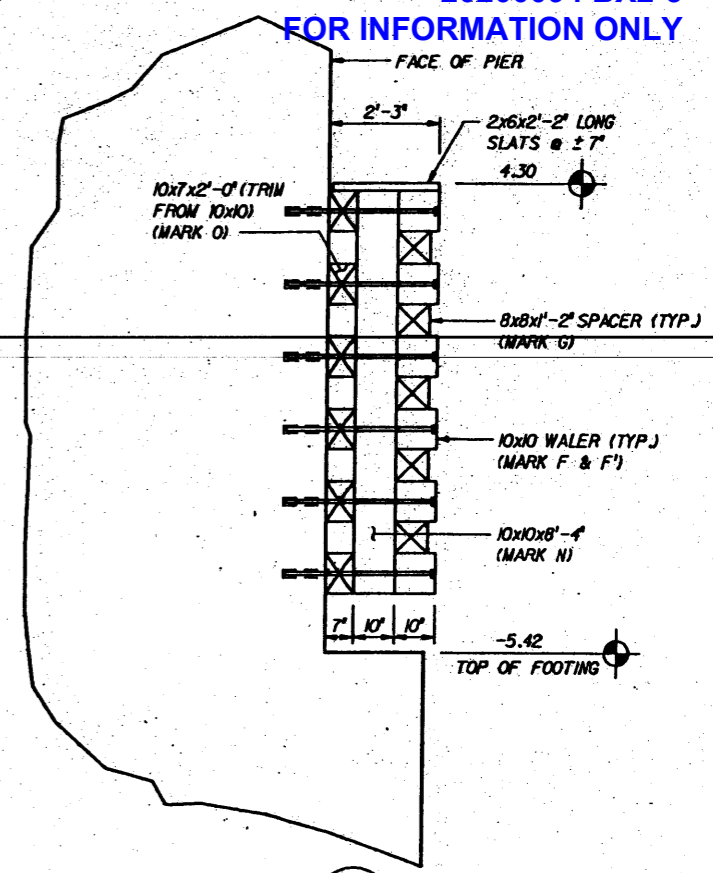
20200094 BX2-5
FOR INFORMATION ONLY



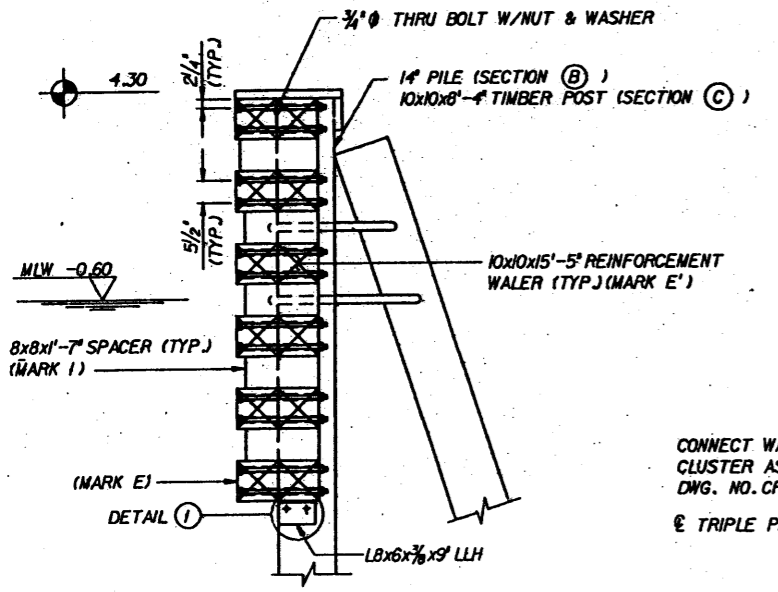
CLEARANCE GAGE MOUNTING DETAIL



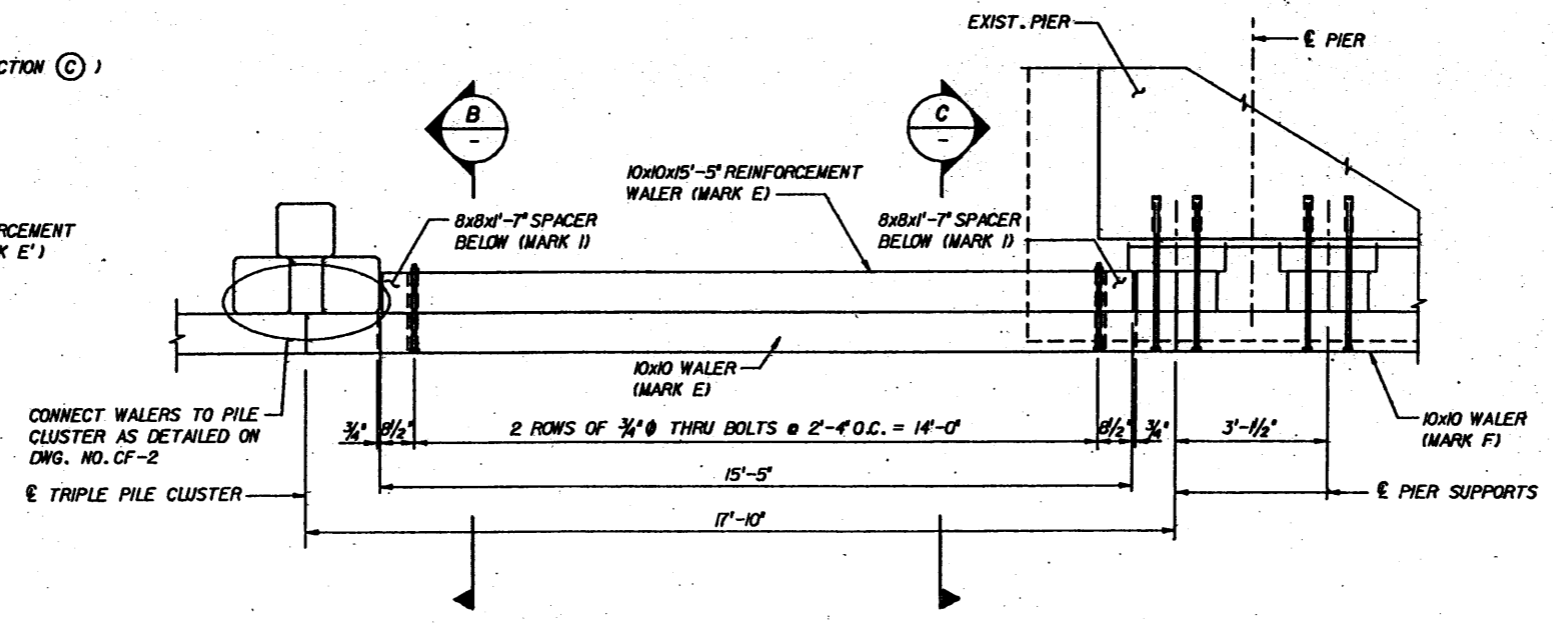
PIER SUPPORT DETAIL



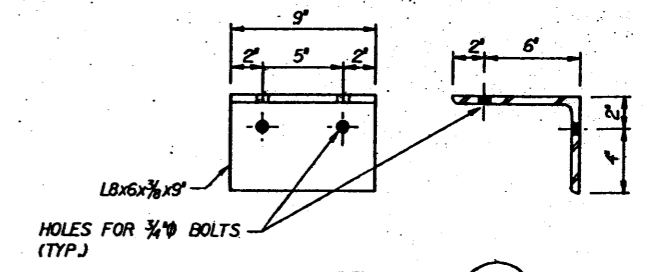
SECTION A



SECTION B
SECTION C SIMILAR



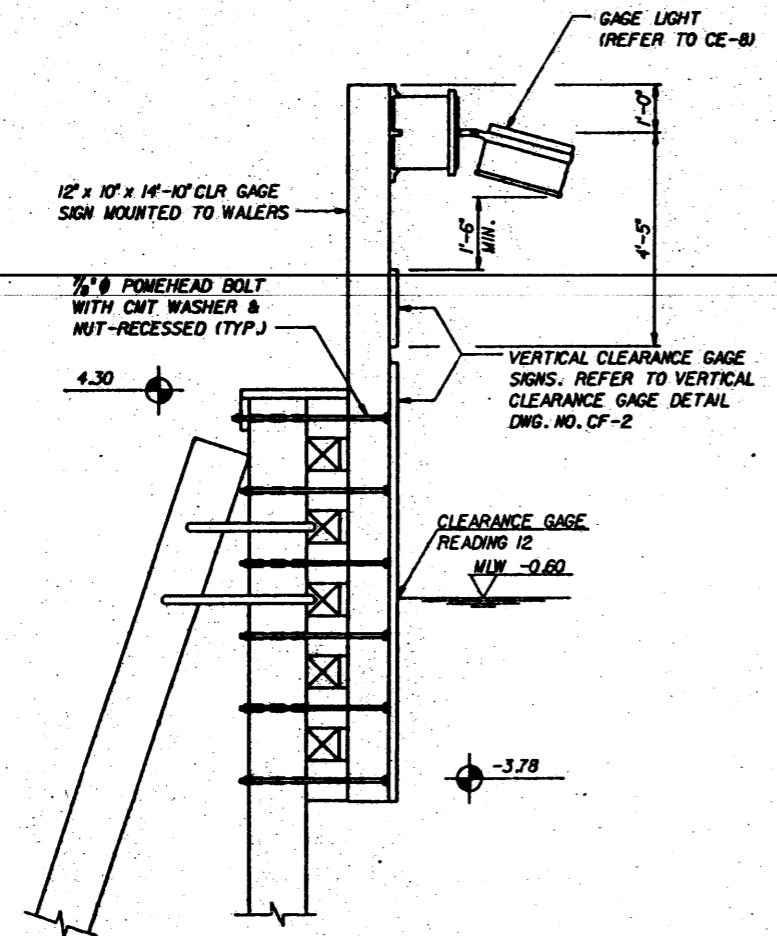
WALER REINFORCEMENT DETAIL



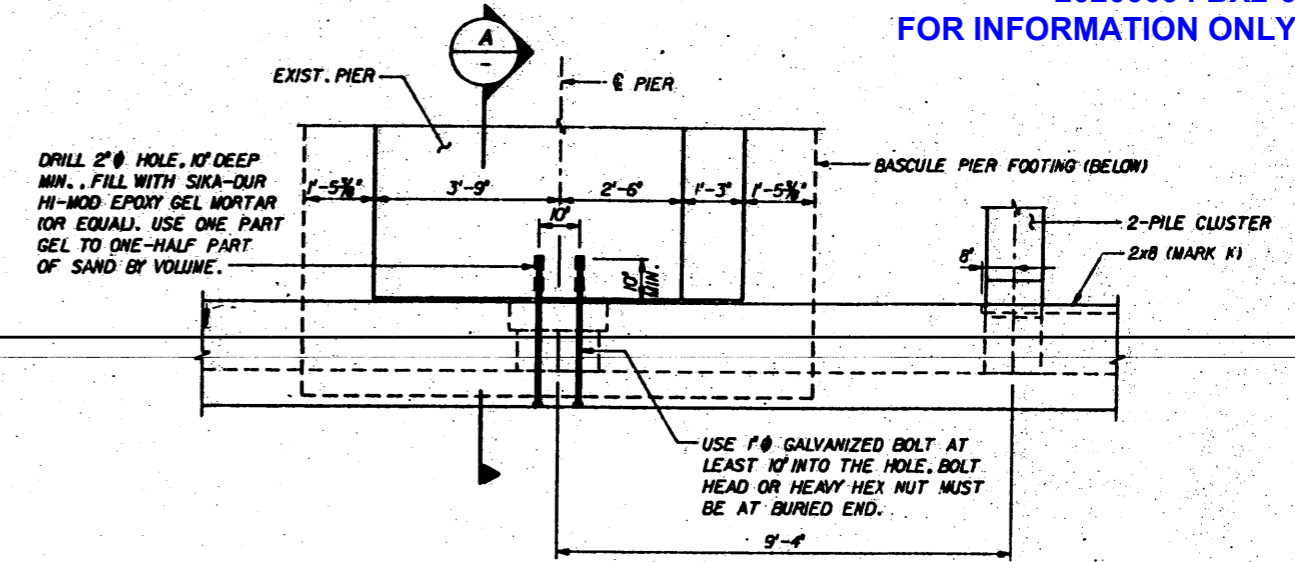
DETAIL 1

REVISIONS				Names		Dates		ENGINEER OF RECORD:		LOGO:		SEAL:		FLORIDA DEPARTMENT OF TRANSPORTATION		SHEET TITLE:		Drawing No.	
Date	By	Description	Date	By	Description	Date	By	DAVID VOLKERT & ASSOCIATES, INC.		DAVID VOLKERT & ASSOCIATES, INC.		STRUCTURES DESIGN OFFICE		FENDER SYSTEM DETAILS (2 OF 2)		CF-3			
25MAY95	D.R.	MODIFIED PIER SUPPORT AND ADDED WALER DETAIL				17 APR 95		4950 S.W. 12nd Avenue Suite 201 Miami, Florida 33155		DAVID VOLKERT & ASSOCIATES, INC. MIAMI, MOBILE, ALEXANDRIA, SPRINGHALL, HETAPRE, TAMPA		ROAD NO. COUNTY PROJECT NO. N/A DADE 37100-3503		VENETIAN CAUSEWAY HISTORICAL BRIDGE RENOVATIONS		Project No.			
						17 APR 95		Approved by: R.R. RIVAS, P.E.											

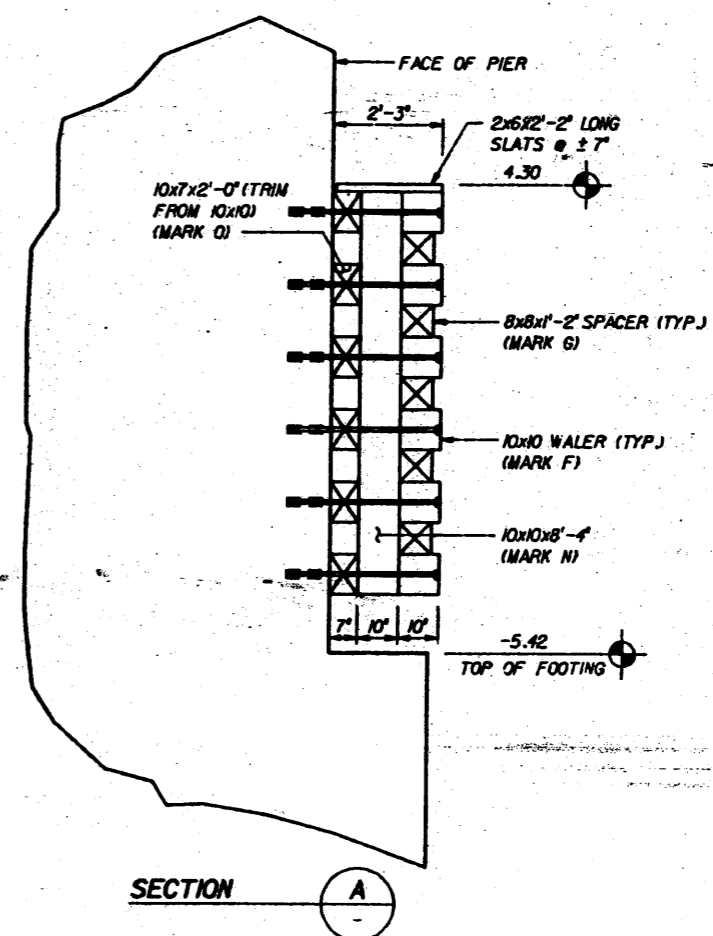
20200094 BX2-6
FOR INFORMATION ONLY



CLEARANCE GAGE MOUNTING DETAIL



PIER SUPPORT DETAIL



SECTION A

REVISIONS				Names		Dates		ENGINEER OF RECORD:		LOGO:		SEAL:		SHEET TITLE		Drawing No.	
Date	By	Description	Date	By	Description	Date	By	DAVID VOLKERT & ASSOCIATES, INC.		DAVID VOLKERT & ASSOCIATES, INC.		FLORIDA DEPARTMENT OF TRANSPORTATION STRUCTURES DESIGN OFFICE		FENDER SYSTEM DETAILS (2 OF 2)		CF-3	
								4960 S.W. 72nd Avenue Suite 201 Miami, Florida 33155						VENETIAN CAUSEWAY HISTORICAL BRIDGE RENOVATIONS		Index No.	
								Approved by: R. R. RIVAS, P.E.		ROAD NO. COUNTY PROJECT NO.		N/A DADE 87100-3503		PROJECT NAME			