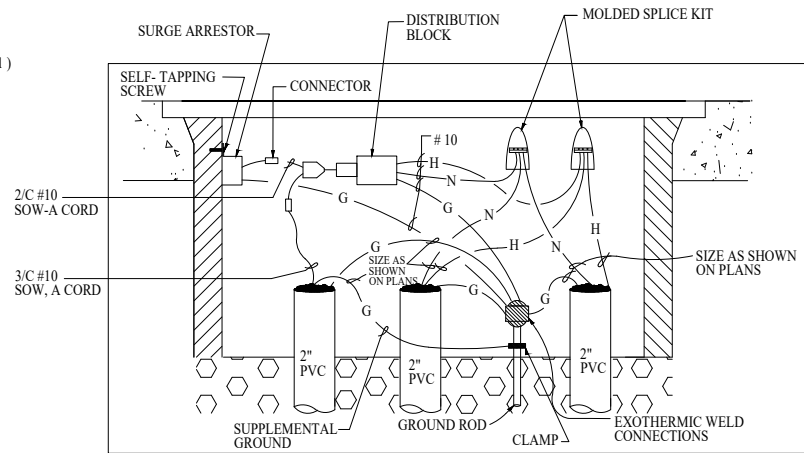


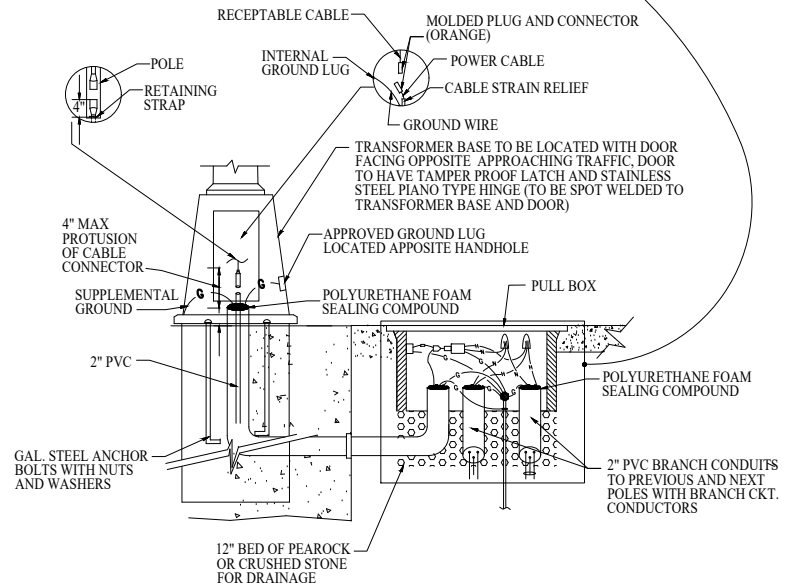
TYPICAL POLE INSTALLATION DETAIL

N.T.S.



NOTES:

1. LED TEAR DROP CAN BE BOWL OR TEAR. LUMINAIRE TO BE CHECKED WITH FDOT LED LUMINAIRE COLOR TEMP MEMO.
2. LUMINAIRE TO HAVE 7-PIN SETUP W/SHORING CAP AND UBICQUA UBICELL LIGHTING CONTROL
3. 20% OF STREET LIGHTING ASSEMBLIES TO BE DELIVERED TO TSS
4. LIGHTING TO WITHSTAND WIND LOADS OF 160 MPH+
5. LOAD CENTER IS TO BE 240/480V
6. COUNTY USES ONLY MG SQUARE POLE CABLE DISTRIBUTION SYSTEM



POLE WIRING DETAIL WITH PULL BOX

N.T.S.