



BUILDING CODE COMPLIANCE OFFICE
METRO-DADE FLAGLER BUILDING
140 WEST FLAGLER STREET, SUITE 1603
MIAMI, FLORIDA 33130-1563
(305) 375-2901 FAX (305) 375-2908

CONTRACTOR LICENSING SECTION
(305) 375-2527 FAX (305) 375-2558

CONTRACTOR ENFORCEMENT DIVISION
(305) 375-2966 FAX (305) 375-2908

PRODUCT CONTROL DIVISION
(305) 375-2902 FAX (305) 372-6339

PRODUCT CONTROL NOTICE OF ACCEPTANCE

Stanley Door Systems
7300 Reames Rd.
Charlotte ,NC 28216

Your application for Notice of Acceptance (NOA) of:
"Sta-Tru" W/E 6'8 Out-swing Opaque Res. Ins. Steel Door-Impact w/wo Non-impact Sidelites(
under Chapter 8 of the Code of Miami-Dade County governing the use of Alternate Materials and Types of
Construction, and completely described herein, has been recommended for acceptance by the Miami-Dade
County Building Code Compliance Office (BCCO) under the conditions specified herein.

This NOA shall not be valid after the expiration date stated below. BCCO reserves the right to secure this
product or material at any time from a jobsite or manufacturer's plant for quality control testing. If this
product or material fails to perform in the approved manner, BCCO may revoke, modify, or suspend the
use of such product or material immediately. BCCO reserves the right to revoke this approval, if it is
determined by BCCO that this product or material fails to meet the requirements of the South Florida
Building Code.

The expense of such testing will be incurred by the manufacturer.

ACCEPTANCE NO.: 01-0928.07
EXPIRES: 11/01/2006

Raul Rodriguez
Chief Product Control Division

THIS IS THE COVERSHEET, SEE ADDITIONAL PAGES FOR SPECIFIC AND GENERAL
CONDITIONS
BUILDING CODE & PRODUCT REVIEW COMMITTEE □

This application for Product Approval has been reviewed by the BCCO and approved by the Building
Code and Product Review Committee to be used in Miami-Dade County, Florida under the conditions set
forth above.

Francisco J. Quintana, R.A.
Director
Miami-Dade County
Building Code Compliance Office

APPROVED: 11/01/2001



Stanley Door Systems

ACCEPTANCE No.: 01-0928.07

APPROVED : November 01, 2001

EXPIRES : November 01, 2006

NOTICE OF ACCEPTANCE: SPECIFIC CONDITIONS

1. SCOPE

- 1.1 This **renews** the Notice of Acceptance No. **01-0226.03**, which was issued on April 19, 2001 It approves a residential insulated steel door, as described in Section 2 of this Notice of Acceptance, designed to comply with the South Florida Building Code (SFBC), 1994 Edition for Miami-Dade County, for the locations where the pressure requirements, as determined by SFBC Chapter 23, do not exceed the Design Pressure Rating values indicated in the approved drawings.

2. PRODUCT DESCRIPTION

- 2.1 The Series **"Sta-Tru" W/E 6' 8" Outswing Opaque Residential Insulated Steel Door w / wo Sidelites - Large Missile Impact Resistant Doors / Non -Impact Resistant Sidelites** and its components shall be constructed in strict compliance with the following documents: Drawing No. **39639** titled **"Stanley Outswing Opaque 11-4 x 6-8 Woodedge Door-W/ & W/O Sidelites"** Sheets 1 thru 7 of 7, dated 6/5/00 and last revised on 03/10/01, prepared by R.W Building Consultants, Inc., bearing the Miami-Dade County Product Control approval stamp with the Notice of Acceptance number and approval date by the Miami-Dade County Product Control Division. These documents shall hereinafter be referred to as the approved drawings.

3. LIMITATIONS

- 3.1 This approval applies to single unit applications of pair of doors and single door with or without sidelites, as shown in approved drawings. Single door units shall include all components described in the active leaf of this approval.

4. INSTALLATION

- 4.1 The residential insulated steel door and its components shall be installed in strict compliance with the approved drawings.
- 4.2 Hurricane protection system (shutters):
- 4.2.1 Door: the installation of this unit **will not require** a hurricane protection system.
- 4.2.2 Sidelite: the installation of this unit **will require** a hurricane protection system.

5. LABELING

- 5.1 Each unit shall bear a permanent label with the manufacturer's name or logo, city, state and following statement: "Miami-Dade County Product Control Approved".

6. BUILDING PERMIT REQUIREMENTS

- 6.1 Application for building permit shall be accompanied by copies of the following:
- 6.1.1 This Notice of Acceptance
- 6.1.2 Duplicate copies of the approved drawings, as identified in Section 2 of this Notice of Acceptance, clearly marked to show the components selected for the proposed installation.
- 6.1.3 Any other documents required by the Building Official or the South Florida Building Code (SFBC) in order to properly evaluate the installation of this system.

Ishaq I. Chanda
Ishaq I. Chanda, P.E. Product Control Examiner
Product Control Division

Stanley Door Systems

ACCEPTANCE No.: 01-0928.07

APPROVED : November 01, 2001

EXPIRES : November 01, 2006

NOTICE OF ACCEPTANCE: STANDARD CONDITIONS

1. Renewal of this Acceptance (approval) shall be considered after a renewal application has been filed and the original submitted documentation, including test supporting data, engineering documents, are no older than eight (8) years.
2. Any and all approved products shall be permanently labeled with the manufacturer's name, city, state, and the following statement: "Miami-Dade County Product Control Approved", or as specifically stated in the specific conditions of this Acceptance.
3. Renewals of Acceptance will not be considered if:
 - a) There has been a change in the South Florida Building Code affecting the evaluation of this product and the product is not in compliance with the code changes;
 - b) The product is no longer the same product (identical) as the one originally approved;
 - c) If the Acceptance holder has not complied with all the requirements of this acceptance, including the correct installation of the product;
 - d) The engineer who originally prepared, signed and sealed the required documentation initially submitted is no longer practicing the engineering profession.
4. Any revision or change in the materials, use, and/or manufacture of the product or process shall automatically be cause for termination of this Acceptance, unless prior written approval has been requested (through the filing of a revision application with appropriate fee) and granted by this office.
5. Any of the following shall also be grounds for removal of this Acceptance:
 - a) Unsatisfactory performance of this product or process.
 - b) Misuse of this Acceptance as an endorsement of any product, for sales, advertising or any other purpose.
6. The Notice of Acceptance number preceded by the words Miami-Dade County, Florida, and followed by the expiration date may be displayed in advertising literature. If any portion of the Notice of Acceptance is displayed, then it shall be done in its entirety.
7. A copy of this Acceptance as well as approved drawings and other documents, where it applies, shall be provided to the user by the manufacturer or its distributors and shall be available for inspection at the job site at all time. The engineer need not reseal the copies.
8. Failure to comply with any section of this Acceptance shall be cause for termination and removal of Acceptance.
9. This Notice of Acceptance consists of pages 1, 2 and this last page 3.

Ishaq I. Chanda
Ishaq I. Chanda, P.E. Product Control Examiner
Product Control Division

END OF THIS ACCEPTANCE

STANLEY DOOR SYSTEMS

STA-TRU OUTSWING 6-8 OPAQUE STEEL DOOR
W/AND W/O SIDELITES IN A WOOD FRAME

GENERAL NOTES

1. THIS PRODUCT IS DESIGNED TO MEET THE SOUTH FLORIDA BUILDING CODE 1994 EDITION FOR MIAMI-DADE COUNTY.
2. WOOD BUCKS BY OTHERS, MUST BE ANCHORED PROPERLY TO TRANSFER LOADS TO THE STRUCTURE.
3. PRODUCT ANCHORS SHALL BE AS LISTED AND SPACED AS SHOWN ON DETAILS. ANCHOR EMBEDMENT TO BASE MATERIAL SHALL BE BEYOND WALL DRESSING OR STUCCO.
4. MIAMI-DADE APPROVED IMPACT RESISTANT SHUTTERS ARE REQUIRED FOR SIDELITES.
5. DESIGNED PRESSURE RATING SEE TABLES PAGE 1.
6. SIDELITES ARE AN OPTION AND CAN BE IN A SINGLE OR DOUBLE DOOR CONFIGURATION.

RESIDENTIAL INSULATED STEEL DOOR (Common to all frame conditions)

Door Panel & Sidelite Construction:

Face sheets: 24 GA.(0.023") minimum thickness,
Galvanized steel A-525 commercial quality - AKDQ per ASTM 620 with yield strength $F_y(\text{min.})=24,000$ psi (flush panels) with yield strength $F_y(\text{min.})=40,000$ psi (embossed panels)
Core design: Polyurethane foam core, with 1.7 lbs. density by BASF.

Door Panel Construction: Flush or embossed type. The vertical edges of the skin are flush and glued to the top and bottom finger jointed pine stiles. The horizontal edges of the panel skin are roll formed over the finger jointed hinge stile and LVL latch stile to form a mechanical lock.

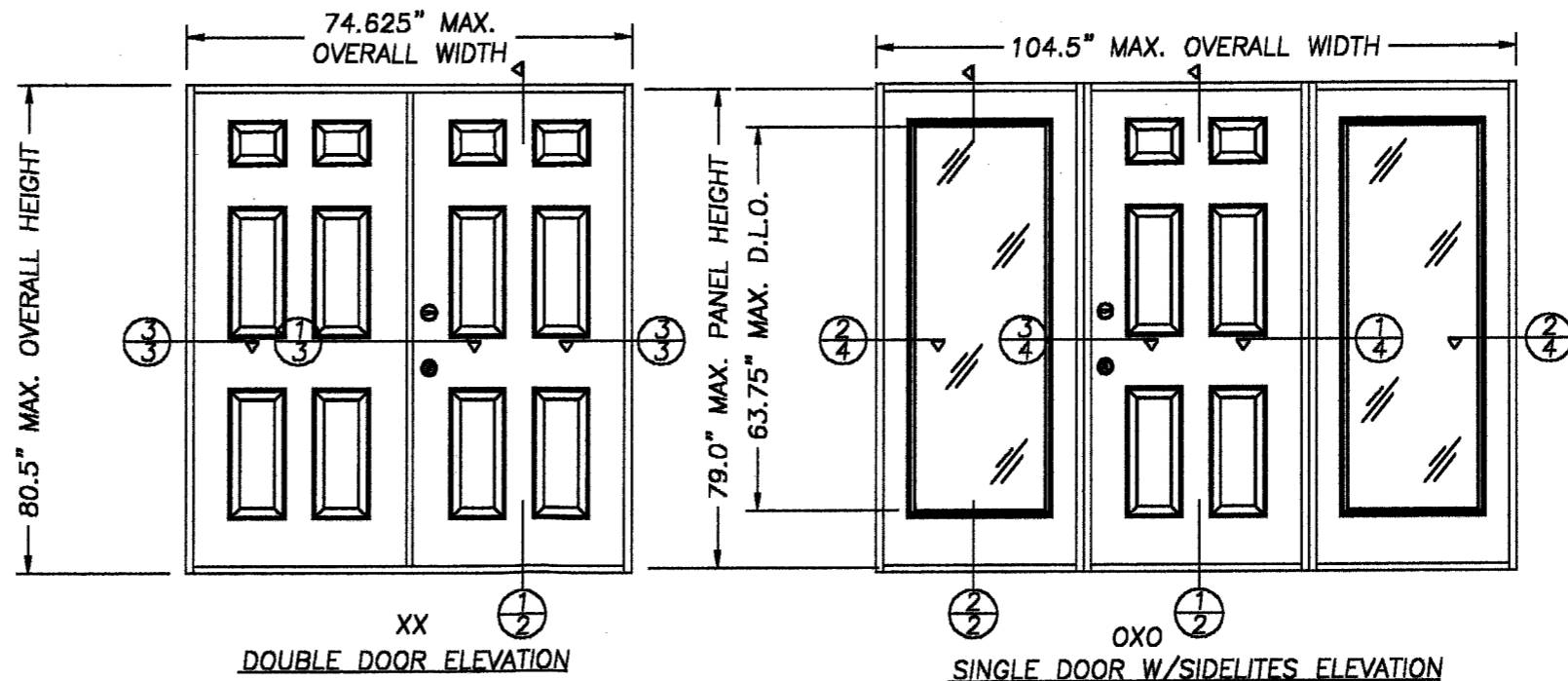
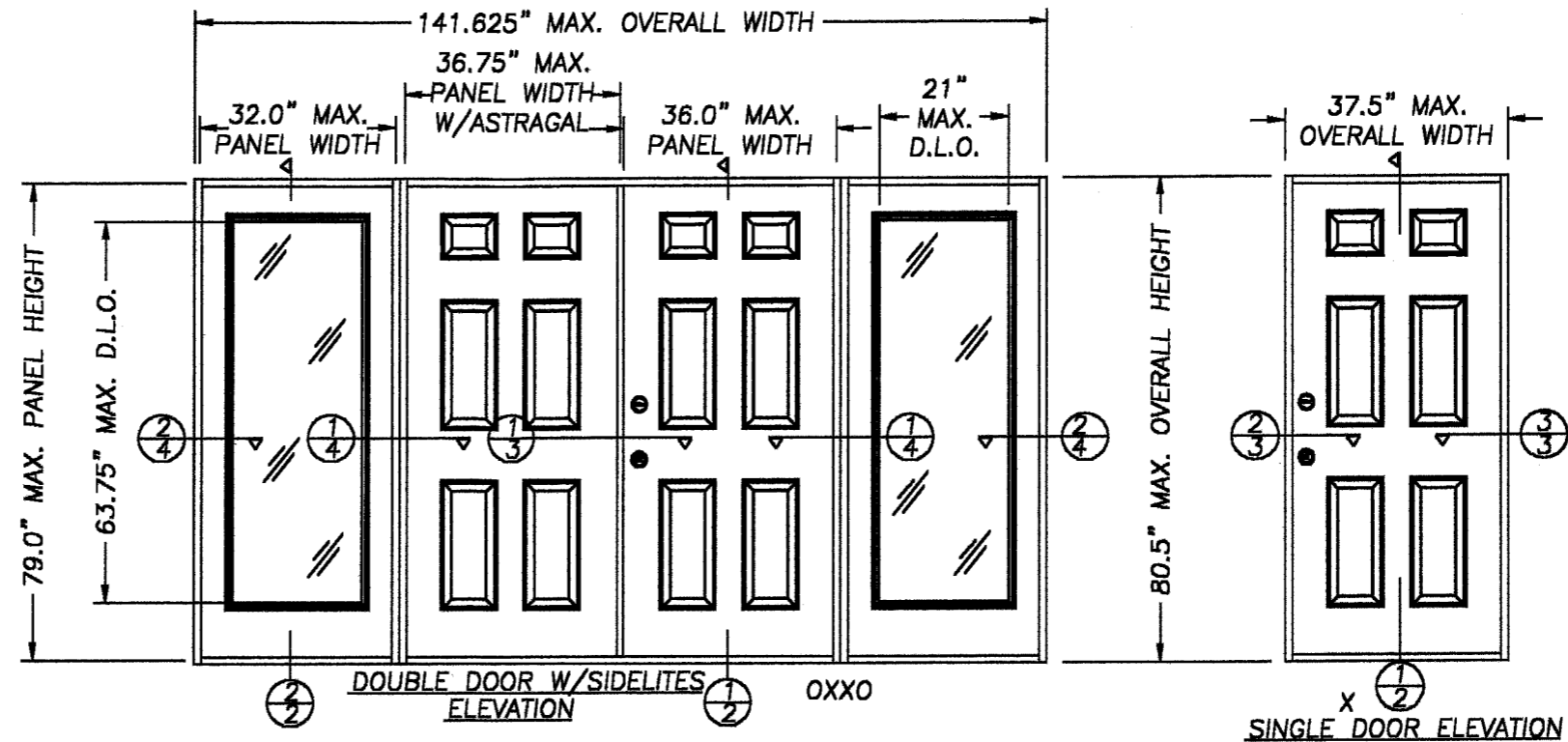
Sidelite Panel Construction: The vertical edges of the skin are flush and glued to the top and bottom finger jointed pine stiles. The horizontal edges of the panel skin are roll formed over the finger jointed side stiles to form a mechanical lock. Panels are sandwich glazed using a two piece plastics lite frame with mitered & welded corners.

TABLE OF CONTENTS

SHEET #	DESCRIPTION
1	COMMON (GENERAL NOTES, TYPICAL ELEVATION)
2	VERTICAL CROSS SECTIONS & BILL OF MATERIALS
3	HORIZONTAL CROSS SECTIONS
4	HORIZONTAL CROSS SECTIONS
5	ANCHORING LOCATIONS & DETAILS
6	ANCHORING LOCATIONS, DOOR MODELS & GLAZING DETAIL
7	FRAME COMPONENTS

DESIGN PRESSURE RATING

UNIT TYPE	WHERE WATER INFILTRATION REQUIREMENT IS NEEDED	
SINGLE	+55.0	-60.0 PSF
SINGLE W/SIDELITES	+50.0	-50.0 PSF
DOUBLE	+50.0 -44.0 PSF W/IMPERIAL AST.	+55.0 -60.0 PSF W/WINDJAMBER II AST.
DOUBLE W/SIDELITES	+50.0 -44.0 PSF W/IMPERIAL AST.	+50.0 -50.0 PSF W/WINDJAMBER II AST.



STANLEY

STANLEY DOOR SYSTEMS
7300 REAMES ROAD
CHARLOTTE, NC 28216
PH. (704) 921-3470

PRODUCT: STANLEY OUTSWING OPAQUE 11-4 x 6-8 WOODEDGE DOOR W/ & W/O SIDELITES
PART OR ASSEMBLY: ELEVATIONS AND GENERAL NOTES

NO.	DATE	REVISIONS	BY
3	3/10/01	CORRECT B.O.M.	RW
2	1/12/01	ADD ASA MATERIAL	RW
1	12/20/00	GENERAL	RW

RW BUILDING CONSULTANTS, INC.
813.684.3831

ALL DOOR MODELS ARE VIEWED FROM THE INTERIOR SIDE (OUTSWING DOORS)

PRODUCT RENEWED

ACCEPTANCE NO. 01-0928.07

EXPIRATION DATE November 01, 2006

By Ishag I. Chandra
PRODUCT CONTROL DIVISION
BUILDING CODE COMPLIANCE OFFICE

APPROVED AS COMPLYING WITH THE SOUTH FLORIDA BUILDING CODE
DATE APRIL 19, 2001
BY Manuel Perez
PRODUCT CONTROL DIVISION
BUILDING CODE COMPLIANCE OFFICE
ACCEPTANCE NO. 01-0226.03

DATE: 6/5/00

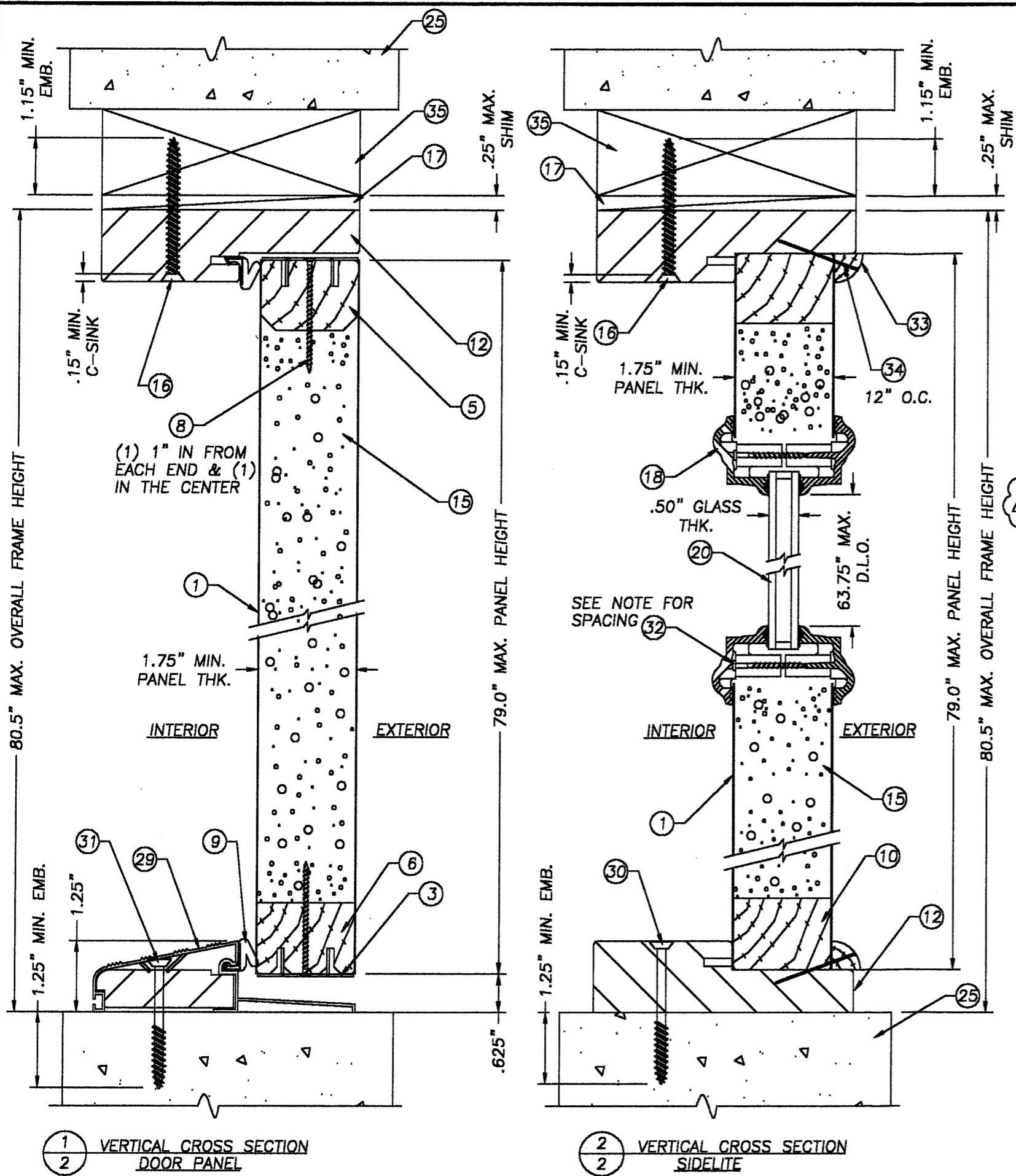
SCALE: N.T.S.

DWG. BY: TJH

CHK. BY: RW

DRAWING NO.: 39639

SHEET 1 OF 7



ITEM	DESCRIPTION	MATERIAL
1	DOORSKIN (.023" MIN. STEEL)	STEEL
2	1.68" x 4.0" LATCH STILE	LVL
3	DOOR PANEL TOP & BOTTOM REIN. (.040" THK.)	STEEL
4	1.68"x1.22" HINGE STILE (PONDEROSA PINE)	PINE
5	1.68"x1.22" TOP RAIL (PONDEROSA PINE)	PINE
6	1.68"x1.00" BOTTOM RAIL (PONDEROSA PINE)	PINE
7	HINGES 4" X 4" X .088 WT. (STANLEY)	STEEL
8	#6 x 2" PHILLIPS FLAT HEAD SCREW	STEEL
9	COMPRESSION WEATHERSTRIP (SCHLEGAL QDS 650)	FOAM
10	SIDELITE TOP & BOTTOM RAIL (PONDEROSA PINE)	PINE
11	SIDELITE BLANK JAMB (PONDEROSA PINE)	PINE
12	HEAD JAMB (PONDEROSA PINE)	PINE
13	HINGE JAMB (PONDEROSA PINE)	PINE
14	LATCH JAMB (PONDEROSA PINE)	PINE
15	POLYURETHANE FOAM CORE (BASF) TYPE A. INFINITY: RESIN (P14120R) ISOCYANATE (P1001), CYCLOPENTANE. TYPE B. RETRO: RESIN (P12430R), ISOCYANATE (P1036).	
16	#8 x 2 1/2" PFH WS	STEEL
17	1/4" SHIM MATERIAL	-
18	LITE FRAME (ODL Spartech Polycarb PP5530 C13)	POLYPROP. ASA
19	LITE FRAME (Trinity GE ASA Polycarbonate) (SEE GLAZING DETAILS SHEET 6 OF 7)	
20	GLAZING COMPOUND SILICONE CAULK (GE WINDOW & DOOR)	SILICONE
21	GLASS - 1/2" AND 1" INSULATED (SEE GLAZING DETAILS SHEET 6 OF 7)	
22	KWIKSET 660 DEADBOLT	-
23	KWIKSET SERIES 200 DL PASSAGE	-
24	#8 x 2" PFH WOOD SCREW	STEEL
25	MASONRY	CONCRETE
26	GLAZING TAPE (VENTURE TAPE .30" W. x .037" THK.)	FOAM
27	#9 x 1.00 F.H. WD SCREWS	STEEL
28	#8 x 2" P. H. WD SCREWS	STEEL
29	BUMP THRESHOLD (WORLD WIDE)	ALUMINUM
30	3/16" TAPCON (ITW) OR 3/16" (ELCO) 2 1/2" LG.	STEEL
31	3/16" TAPCON (ITW) OR 3/16" (ELCO) 2 1/4" LG.	STEEL
32	#8-1 1/4" TEK SCREW (LITE FRAME SCREW)	STEEL
33	GLAZING STOP QUARTER ROUND (1/2" x 1/2")	PINE
34	BRAD TRIM NAIL 2" LG.	STEEL
35	2X BUCK	WOOD
36	OPTIONAL EXTRUDED ALUMINUM ASTRAGAL (IMPERIAL)	ALUM.
37	1.68"x1.22" BLANK STILE (PONDEROSA PINE)	PINE
38	ASTRAGAL EXTRUDED ALUM. (WR68S WINDJAMBER II)	ALUM.

NOTE: SPACING FOR ITEM #32; TOP & BOTTOM (1) 3 1/2" IN FROM CORNERS & (1) IN THE CENTER. SIDES; (6) SCREWS 3 1/4", 13 3/4", 26 1/2", 39 3/8", 52" & 62 5/8".

PRODUCT RENEWED
 ACCEPTANCE NO. 01-0928-07
 EXPIRATION DATE Nov 1, 2006
 By Ishaq I. Chauda
 PRODUCT CONTROL DIVISION
 BUILDING CODE COMPLIANCE OFFICE

APPROVED AS COMPLYING WITH THE SOUTH FLORIDA BUILDING CODE
 DATE APRIL 19, 2006
 BY Maurice J. [Signature]
 PRODUCT CONTROL DIVISION
 BUILDING CODE COMPLIANCE OFFICE
 ACCEPTANCE NO. 01-0226-03

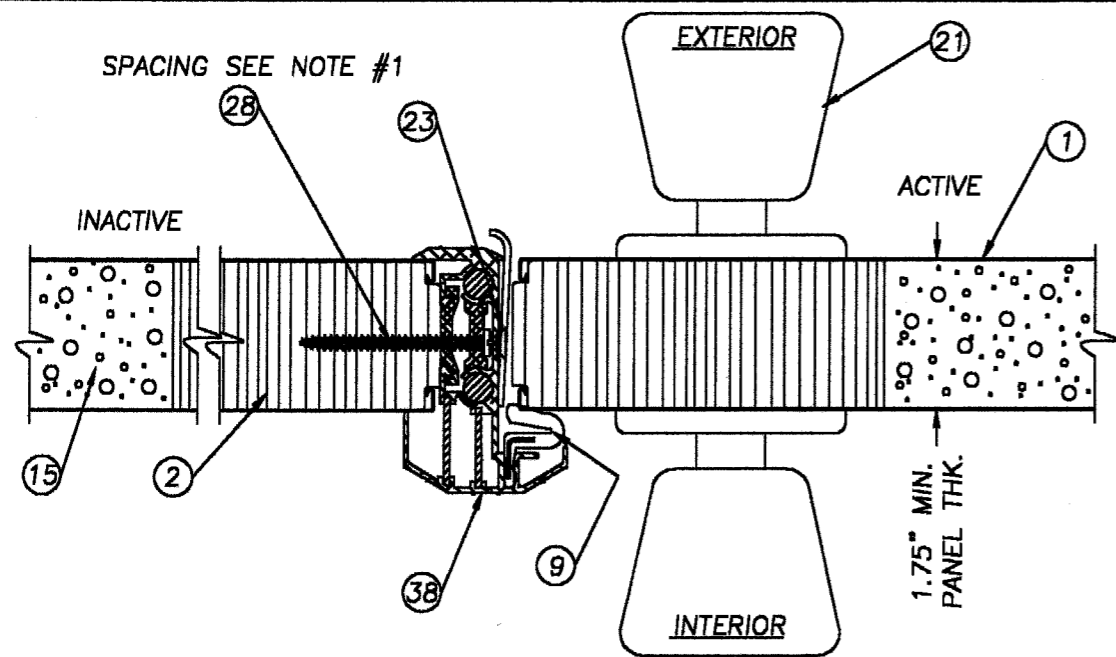
STANLEY
 STANLEY DOOR SYSTEMS
 7300 REAMES ROAD
 CHARLOTTE, NC 28216
 PH. (704) 921-3470

PRODUCT: STANLEY OUTSWING OPAQUE 11-4 x 6-8 WOODEDGE DOOR W/ & W/O SIDELITES
 PART OR ASSEMBLY:
 VERTICAL CROSS SECTIONS & BILL OF MATERIALS

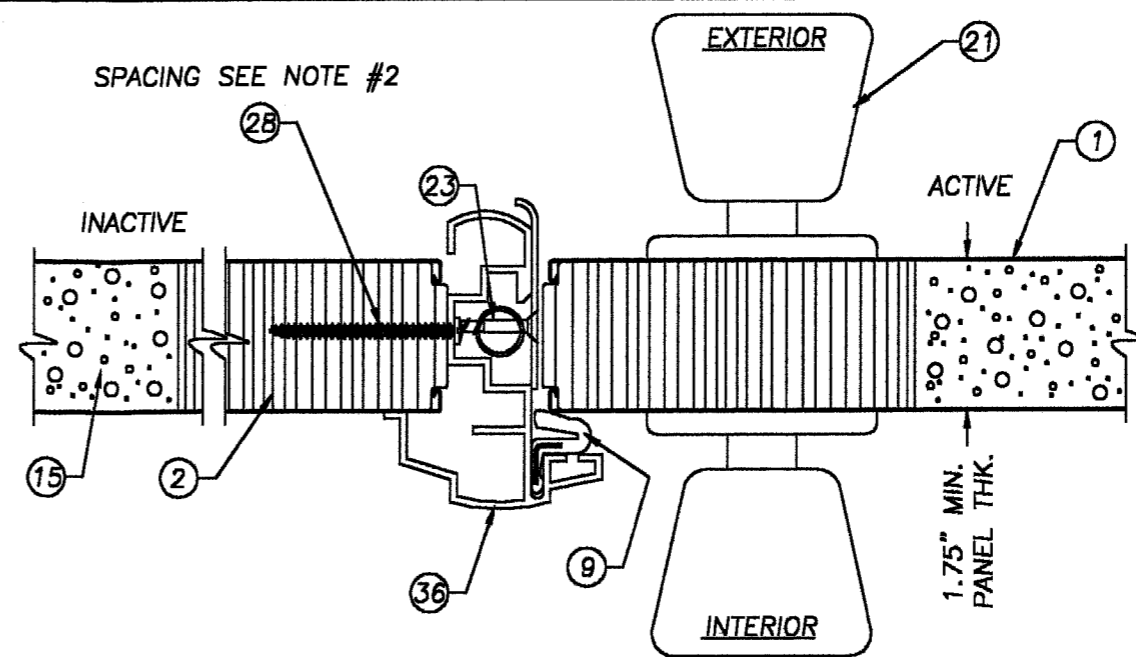
NO.	DATE	BY	REVISIONS
3	3/10/01	RW	CORRECT B.O.M.
2	1/12/01	RW	ADD ASA MATERIAL
1	12/20/00	RW	GENERAL

RW BUILDING CONSULTANTS, INC.
 813.684.3831

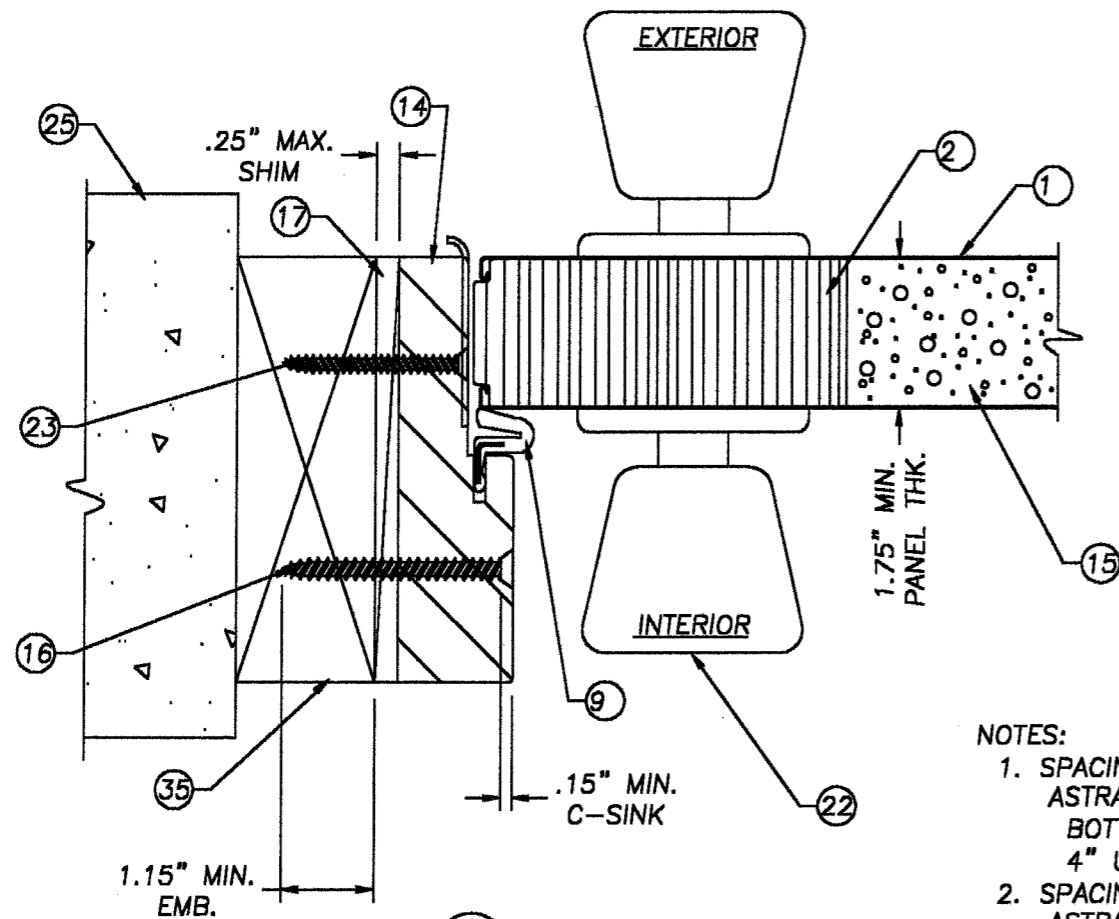
DATE: 6/5/00
 SCALE: 1/2" = 1"
 DWG. BY: TJH
 CHK. BY: RW
 DRAWING NO.: 39639
 SHEET 2 OF 7



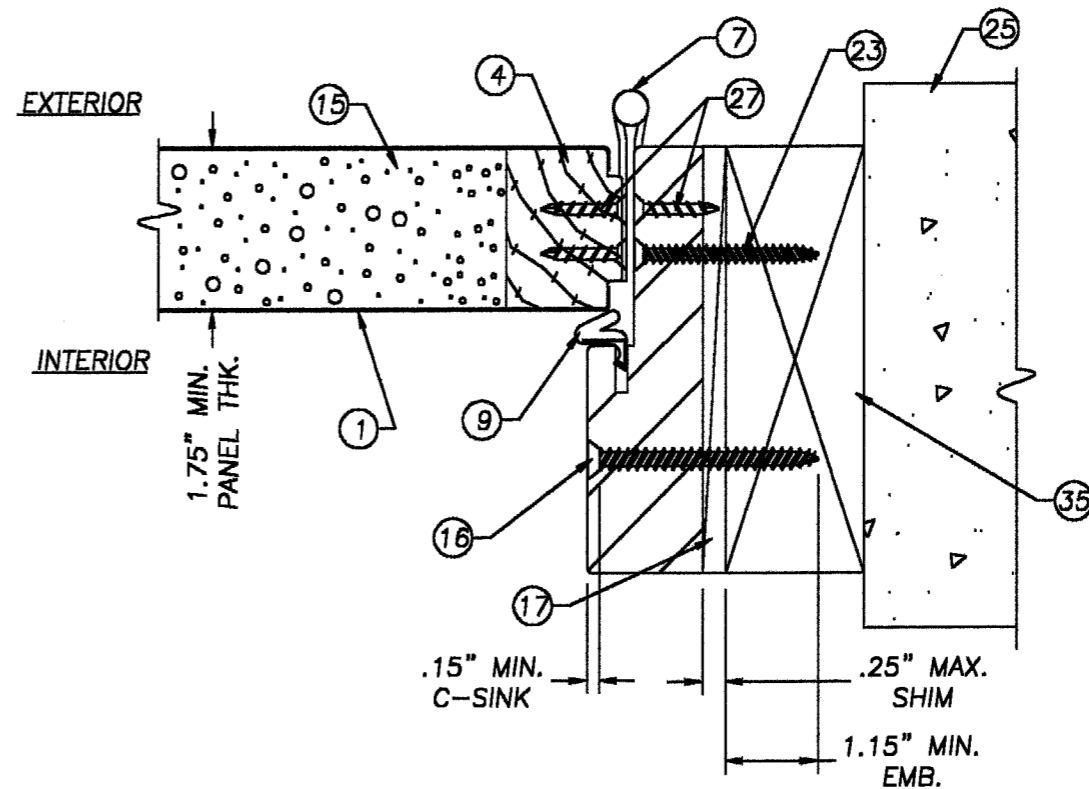
① HORIZONTAL CROSS SECTION
③ AT ASTRAGAL, TYP. (W/ITEM #38 WR68S)



① OPTIONAL HORIZONTAL CROSS SECTION
③ AT ASTRAGAL, TYP. (W/ITEM #36 IMPERIAL)



② HORIZONTAL CROSS SECTION
③ AT LATCH JAMB TO BUCK, TYP.



③ HORIZONTAL CROSS SECTION
③ AT HINGE JAMB TO BUCK, TYP.

NOTES:

1. SPACING FOR ITEM #28 ON THE WR68S ASTRAGAL IS AS FOLLOWS: TOP DOWN & BOTTOM UP; 1", 3", 5", 26", & (1) 4" UP FROM THE STRIKE.
2. SPACING FOR ITEM #28 ON THE IMPERIAL ASTRAGAL IS AS FOLLOWS: TOP DOWN & BOTTOM UP; 1", 2 1/2", 4", 5 1/2", 13", 18" & 26".

PRODUCT RENEWED

ACCEPTANCE NO. 01-0928-07
EXPIRATION DATE NOV 1, 2006
By Ishag I. Chanda
PRODUCT CONTROL DIVISION
BUILDING CODE COMPLIANCE OFFICE

APPROVED AS COMPLYING WITH THE DATE: 6/5/00
SOUTH FLORIDA BUILDING CODE
DATE APRIL 19, 2001
BY Manuel Perez
PRODUCT CONTROL DIVISION
BUILDING CODE COMPLIANCE OFFICE
ACCEPTANCE NO. 01-0226-03

PRODUCT:
STANLEY OUTSWING OPAQUE
11-4 x 6-8 WOODEDGE
DOOR W/ & W/O SIDELITES
PART OR ASSEMBLY:
HORIZONTAL
CROSS SECTIONS

NO.	DATE	BY	REVISIONS
3	3/10/01	RW	CORRECT B.O.M.
2	1/12/01	RW	ADD ASA MATERIAL
1	12/20/00	RW	GENERAL

RW BUILDING
CONSULTANTS, INC.
813.684.3831

DATE: 6/5/00
SCALE: 1/2" = 1"
DWG. BY: TJH
CHK. BY: RW
DRAWING NO.:
39639
SHEET 3 OF 7

STANLEY
STANLEY DOOR SYSTEMS
7300 REAMES ROAD
CHARLOTTE, NC 28216
PH. (704) 921-3470

STANLEY

STANLEY DOOR SYSTEMS
7300 REAMES ROAD
CHARLOTTE, NC 28216
PH. (704) 921-3470

PRODUCT:
STANLEY OUTSWING OPAQUE
11-4 x 6-8 WOODEDGE
DOOR W/ & W/O SIDELITES
PART OR ASSEMBLY:

HORIZONTAL
CROSS SECTIONS

NO.	DATE	GENERAL	ADD ASA MATERIAL	CORRECT B.O.M.	RW	RW	BY
3	3/10/01						
2	1/12/01						
1	12/20/00						

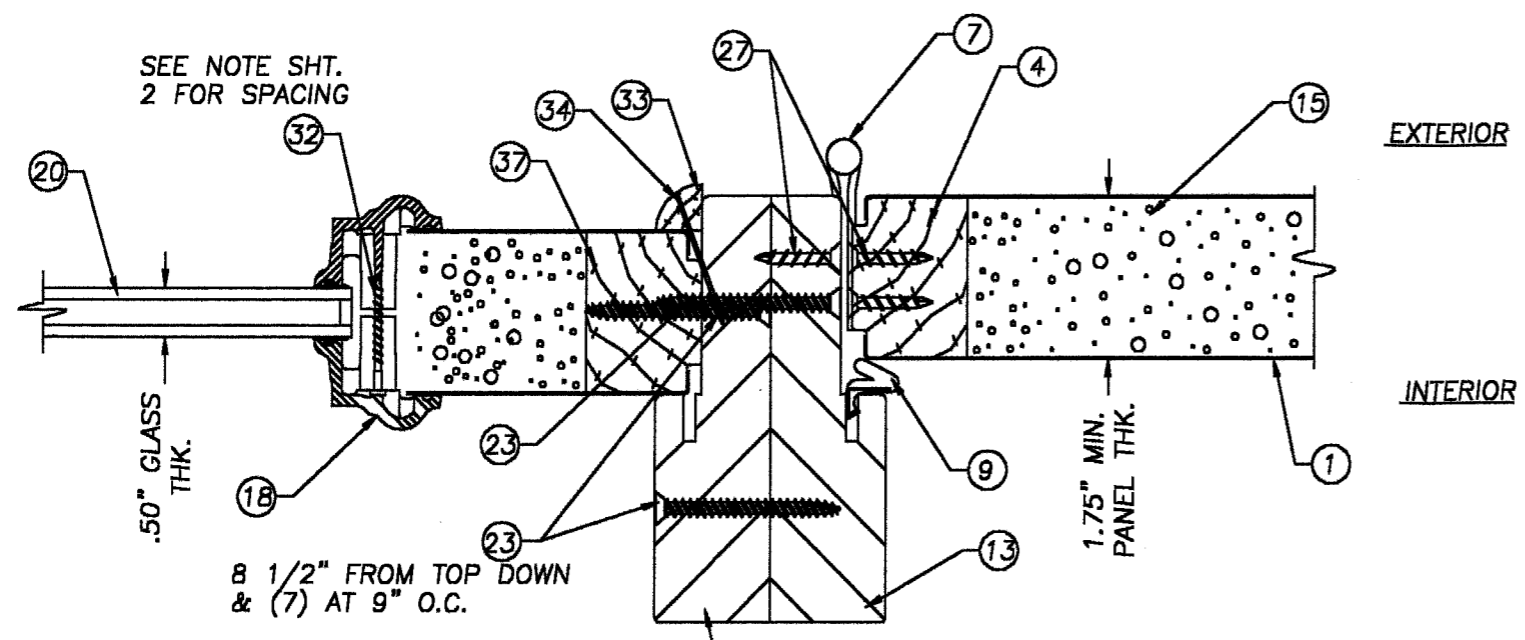
RW BUILDING
CONSULTANTS, INC.
813.684.3831

APPROVED AS COMPLYING WITH THE	DATE: 6/5/00
SOUTH FLORIDA BUILDING CODE	SCALE: 1/2" = 1"
DATE APRIL 19, 2001	DWG. BY: TJH
BY: <i>Manuel</i>	CHK. BY: RW
PRODUCT CONTROL DIVISION	DRAWING NO.: 39639
BUILDING CODE COMPLIANCE OFFICE	ACCEPTANCE NO. 01-0226-03
SHEET 4 OF 7	

PRODUCT RENEWED

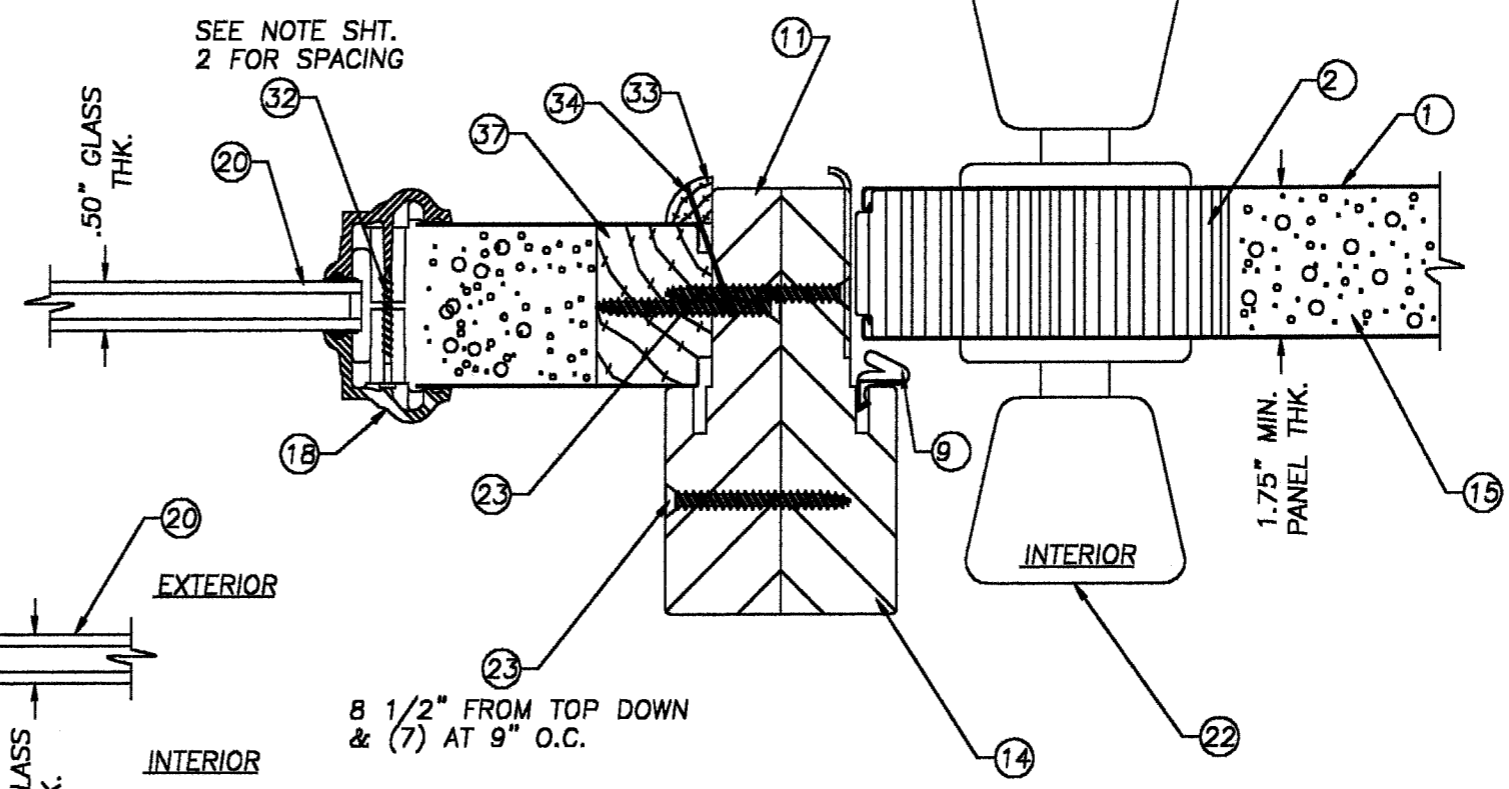
ACCEPTANCE No. 01-0928-07
EXPIRATION DATE Nov 1, 2006
By Ishtaq I. Chaudhry
PRODUCT CONTROL DIVISION
BUILDING CODE COMPLIANCE OFFICE

APPROVED AS COMPLYING WITH THE
SOUTH FLORIDA BUILDING CODE
DATE APRIL 19, 2001
BY: *Manuel*
PRODUCT CONTROL DIVISION
BUILDING CODE COMPLIANCE OFFICE
ACCEPTANCE NO. 01-0226-03

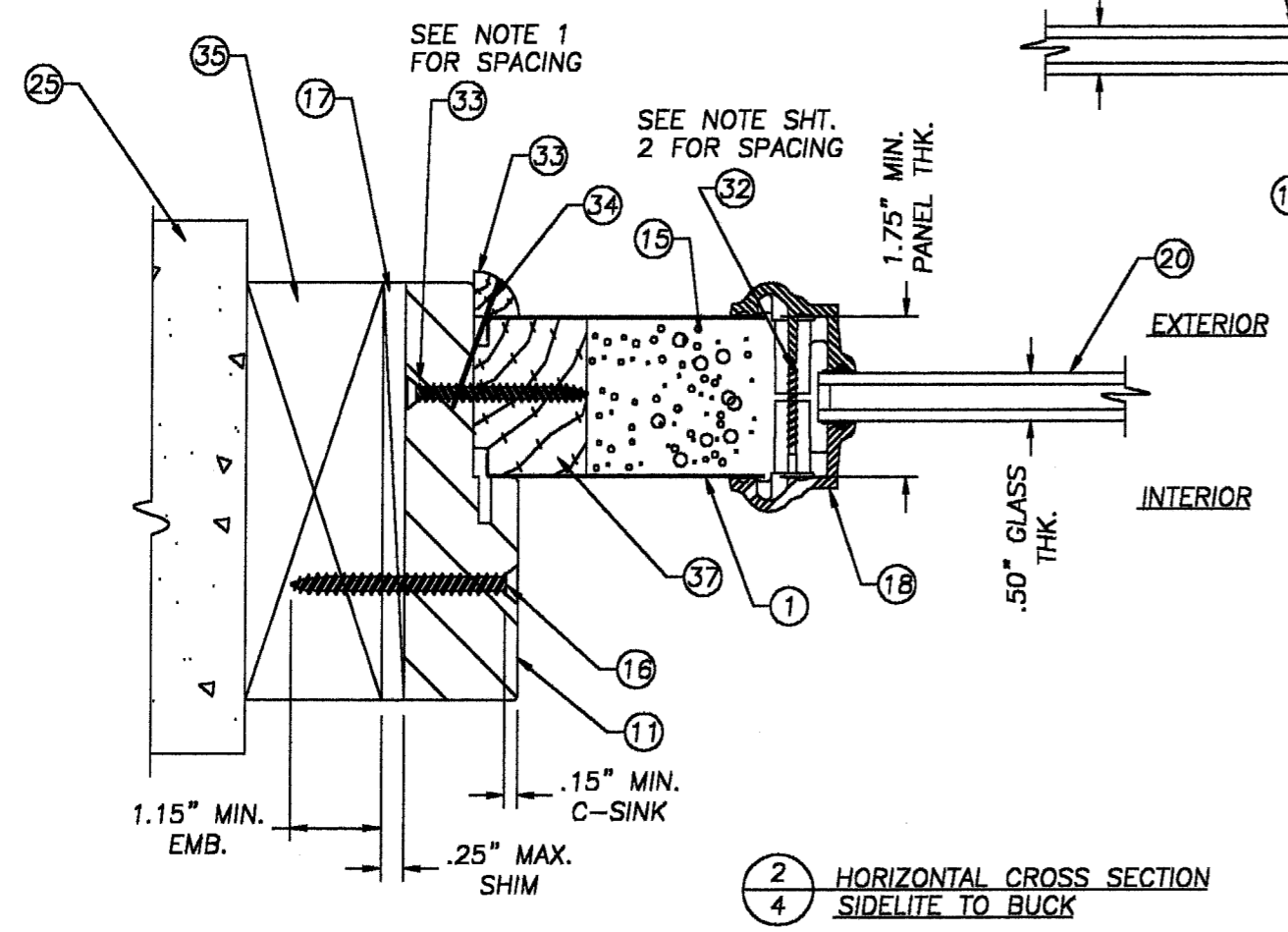


NOTE:
1. SPACING FOR ITEM #23 GOING FROM THE JAMB INTO THE SIDELITE PANEL IS AS FOLLOWS: 6" DOWN FROM THE TOP AND 6" UP FROM THE BOTTOM WITH (2) MORE EVENLY SPACED. A TOTAL OF (4) SCREWS PER EACH JAMB.

1
4 HORIZONTAL CROSS SECTION
SIDELITE TO HINGE JAMB



3
4 HORIZONTAL CROSS SECTION
SIDELITE TO LATCH JAMB



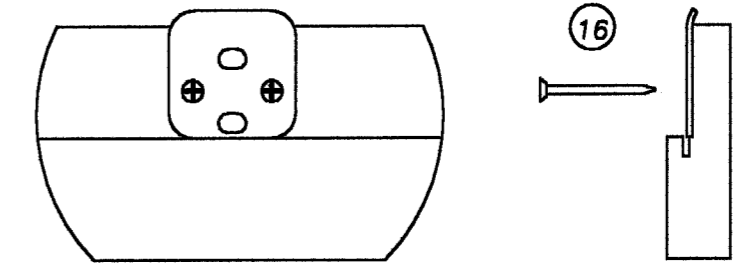
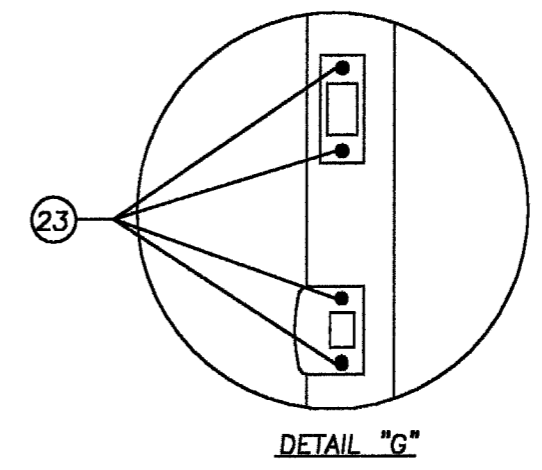
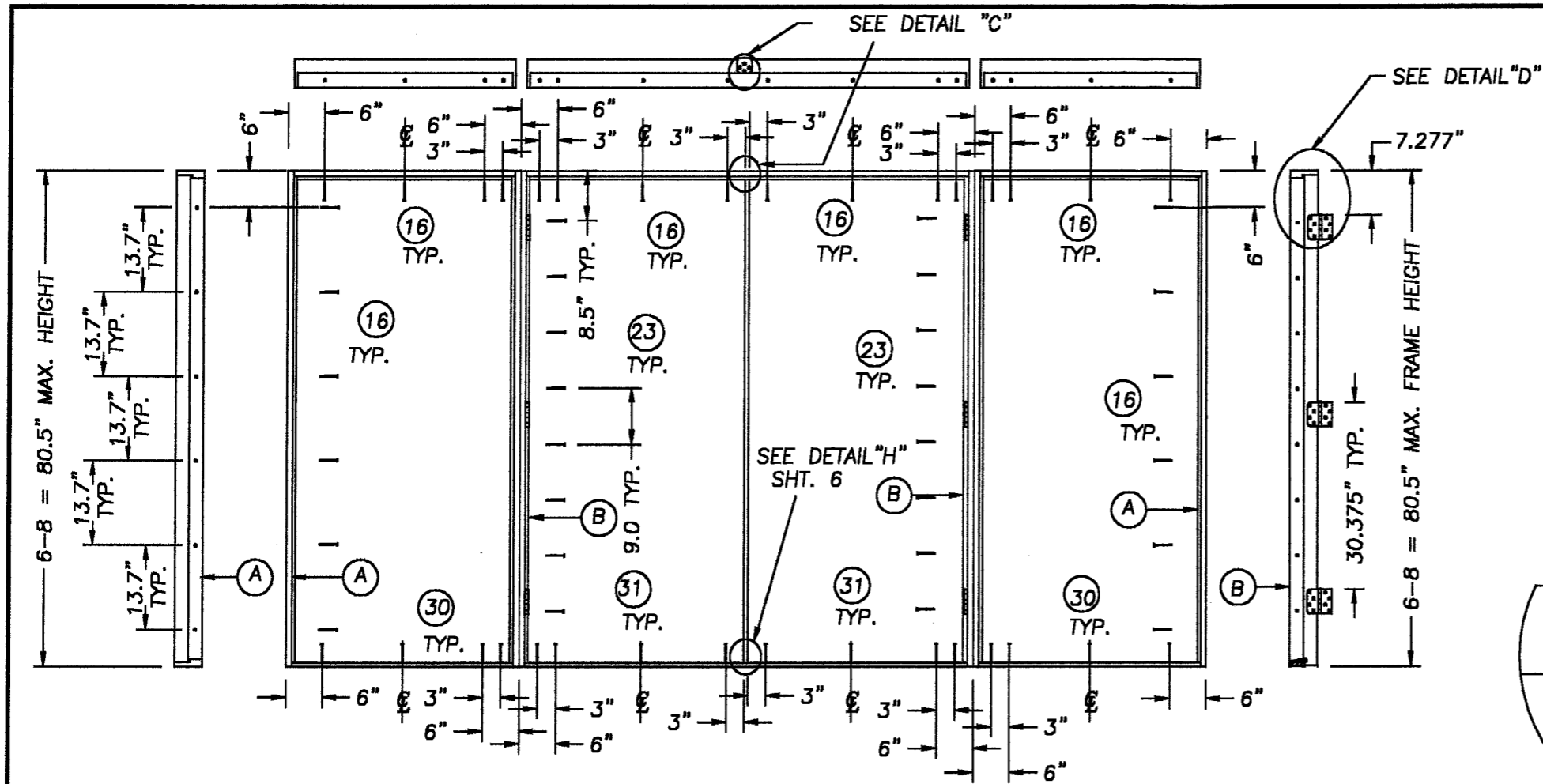
2
4 HORIZONTAL CROSS SECTION
SIDELITE TO BUCK

SEE NOTE SHT. 2 FOR SPACING

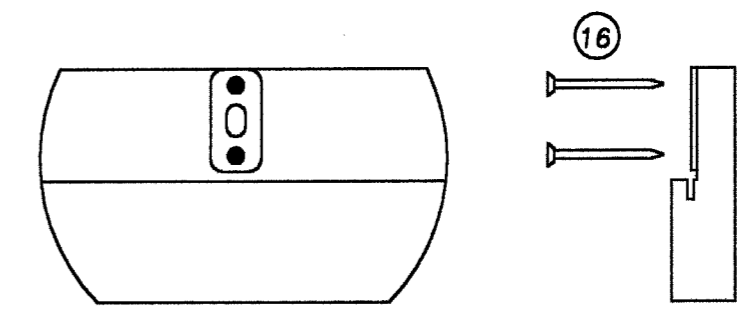
SEE NOTE SHT. 2 FOR SPACING

SEE NOTE 1 FOR SPACING

SEE NOTE SHT. 2 FOR SPACING

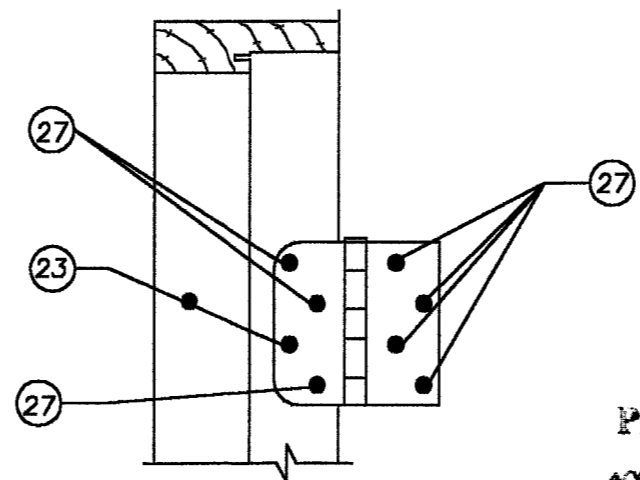
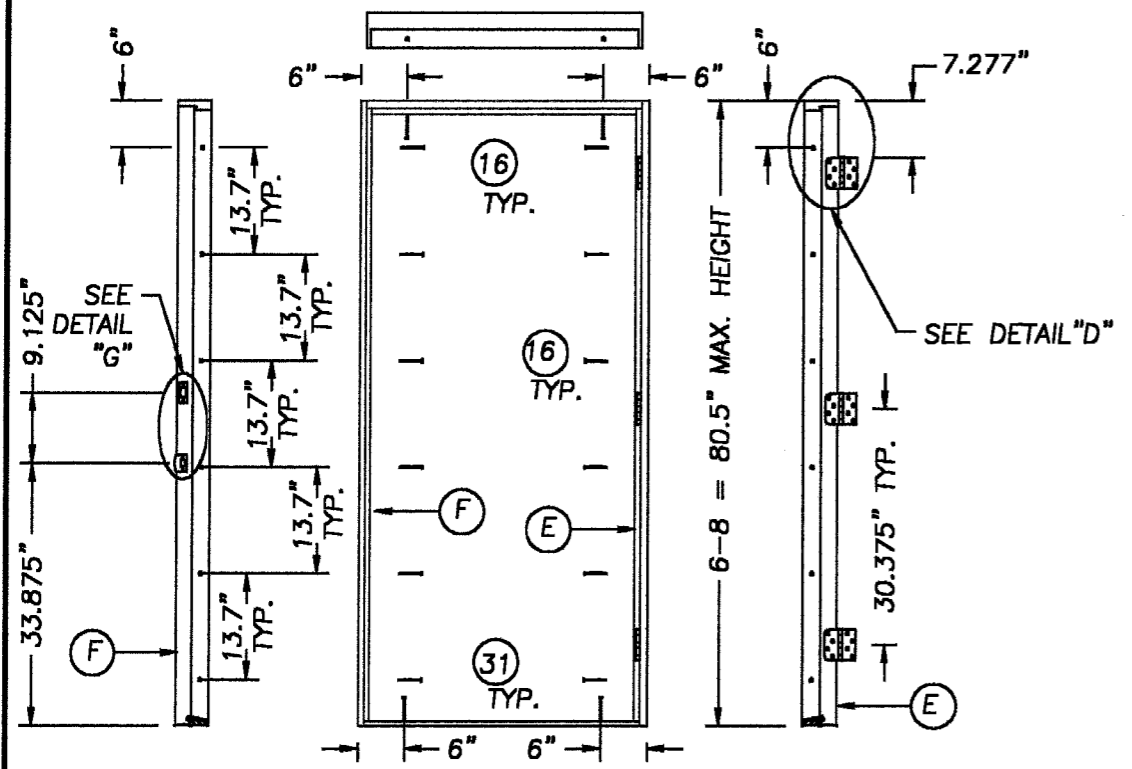


DETAIL "C"
ATTACH WR685 ASTRAGAL THROW BOLT STRIKE PLATE TO FRAME AS SHOWN.



DETAIL "C"
ATTACH IMPERIAL ASTRAGAL THROW BOLT STRIKE PLATE TO FRAME AS SHOWN.

DOOR PANELS NOT SHOWN FOR CLARITY OF ANCHORING LOCATIONS



DETAIL "D"
HINGE DETAIL

STANLEY
STANLEY DOOR SYSTEMS
7300 REAMES ROAD
CHARLOTTE, NC 28216
PH. (704) 921-3470

PRODUCT: STANLEY OUTSWING OPAQUE 11-4 x 6-8 WOODEDGE DOOR W/ & W/O SIDELITES
PART OR ASSEMBLY: ANCHORING LAYOUTS & DETAILS

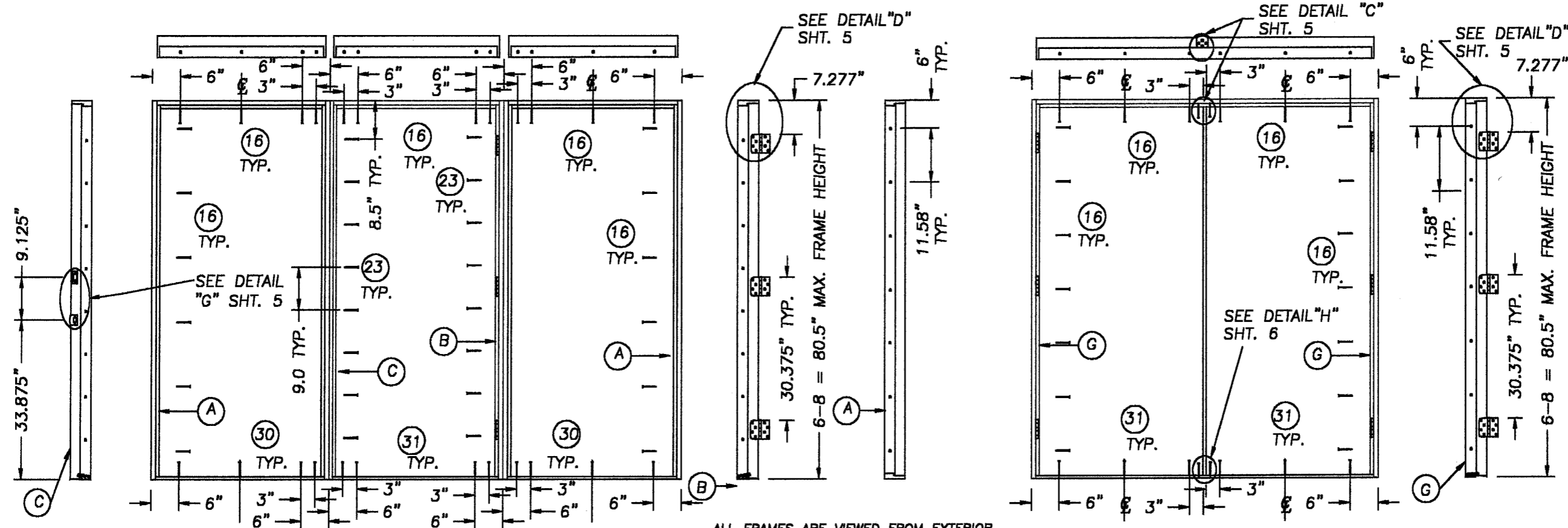
NO.	DATE	REVISIONS	BY
3	3/10/01	CORRECT B.O.M.	RW
2	1/12/01	ADD ASA MATERIAL	RW
1	12/20/00	GENERAL	RW

RW BUILDING CONSULTANTS, INC.
813.684.3831

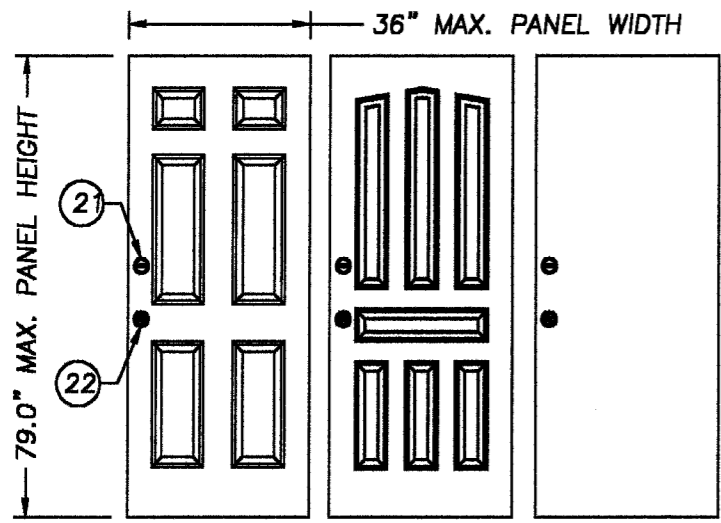
PRODUCT RENEWED
ACCEPTANCE NO. 01-0928-07
EXPIRATION DATE NOV 1, 2006
By Ishay I. Chanda
PRODUCT CONTROL DIVISION
BUILDING CODE COMPLIANCE OFFICE

APPROVED AS COMPLYING WITH THE SOUTH FLORIDA BUILDING CODE
DATE APRIL 19, 2007
BY Maurice [Signature]
PRODUCT CONTROL DIVISION
BUILDING CODE COMPLIANCE OFFICE
ACCEPTANCE NO. 01-0226-03

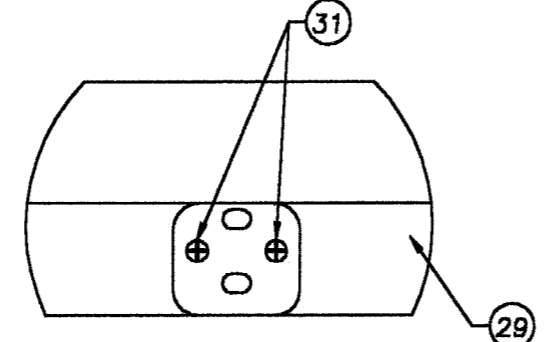
DATE: 6/5/00
SCALE: N.T.S.
DWG. BY: TJH
CHK. BY: RW
DRAWING NO.: 39639
SHEET 5 OF 7



ALL FRAMES ARE VIEWED FROM EXTERIOR
DOOR PANELS NOT SHOWN FOR
CLARITY OF ANCHORING LOCATIONS

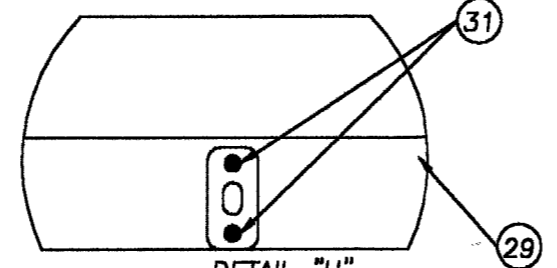


OPAQUE DOOR MODELS

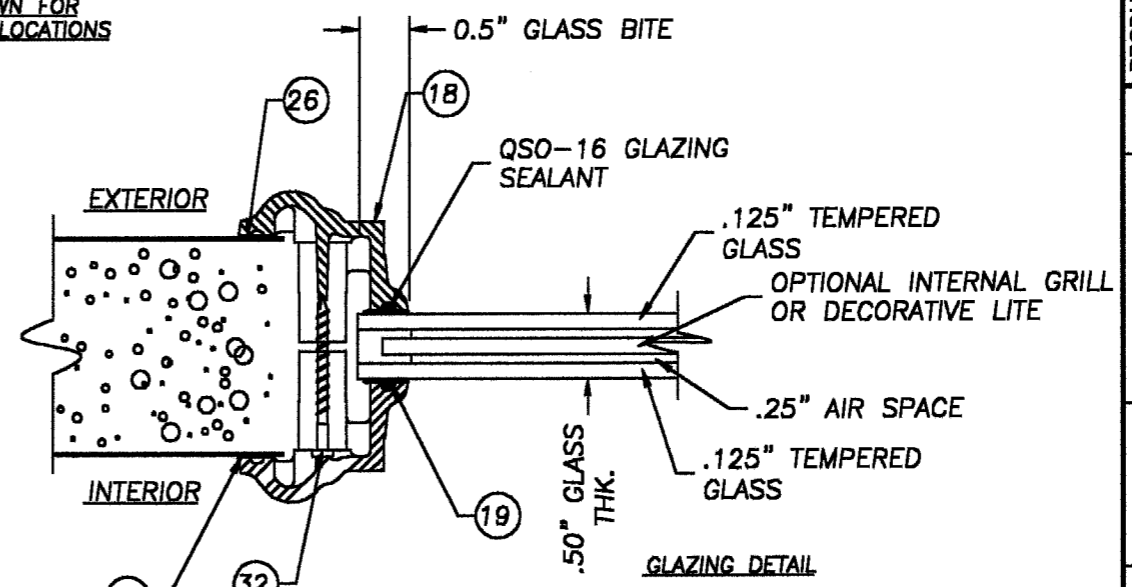


DETAIL "H"
ATTACH WRBOS ASTRAGAL THROW BOLT
STRIKE PLATE TO
THRESHOLD AS SHOWN.

NOTE: ANCHORING
ASTRAGAL STRIKE PLATE SCREWS
AT THE HEADER & THRESHOLD
MUST BE USED TO ACHIEVE
FULL ANCHORING LOAD.



DETAIL "H"
ATTACH IMPERIAL ASTRAGAL THROW BOLT
STRIKE PLATE TO THRESHOLD AS SHOWN



GLAZING DETAIL

NOTE: GLASS LITE FRAME SURROUNDS
ODL Spartech Polycor PP5530 C13
Trinity GE ASA Polycarbonate

PRODUCT RENEWAL
ACCEPTANCE NO. 01-0928-07
EXPIRATION DATE NOV 1, 2006
By: Ishaq J. Lhanda
PRODUCT CONTROL DIVISION
BUILDING CODE COMPLIANCE OFFICE

APPROVED AS COMPLYING WITH THE
SOUTH FLORIDA BUILDING CODE
DATE APRIL 19, 2001
BY: *[Signature]*
PRODUCT CONTROL DIVISION
BUILDING CODE COMPLIANCE OFFICE
ACCEPTANCE NO. 01-0226-02

STANLEY

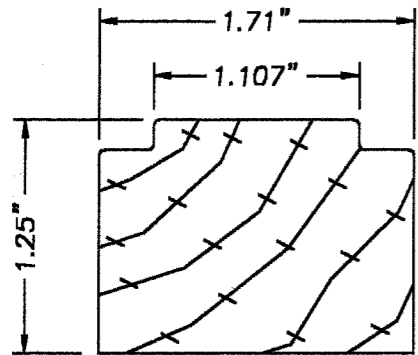
STANLEY DOOR SYSTEMS
7300 REAMES ROAD
CHARLOTTE, NC 28216
PH. (704) 921-3470

PRODUCT:
STANLEY OUTSWING OPAQUE
11-4 x 6-8 WOODEDGE
DOOR W/ & W/O SIDELITES
PART OR ASSEMBLY:
ANCHORING LAYOUTS, DOOR
MODELS & GLAZING DETAIL

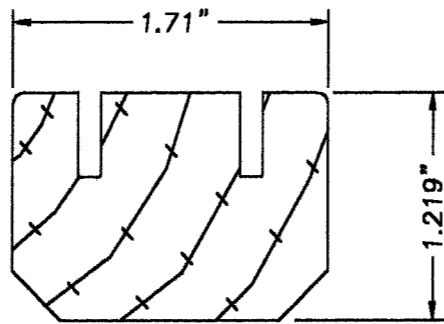
NO.	DATE	REVISIONS	BY
3	3/10/01	CORRECT B.O.M.	RW
2	1/12/01	ADD ASA MATERIAL	RW
1	12/20/00	GENERAL	RW

RW BUILDING
CONSULTANTS, INC.
813.684.3831

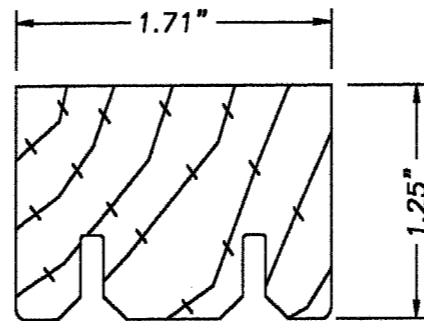
DATE: 6/5/00
SCALE: N.T.S.
DWG. BY: TJH
CHK. BY: RW
DRAWING NO.: 39639
SHEET 6 OF 7



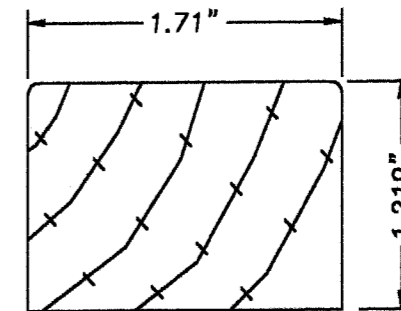
WOOD HINGE & BLANK SIDE STYLE



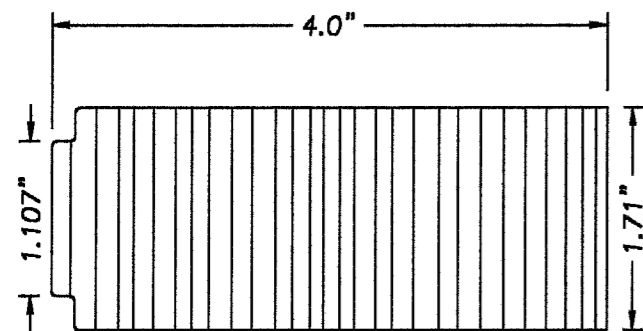
WOOD TOP STYLE



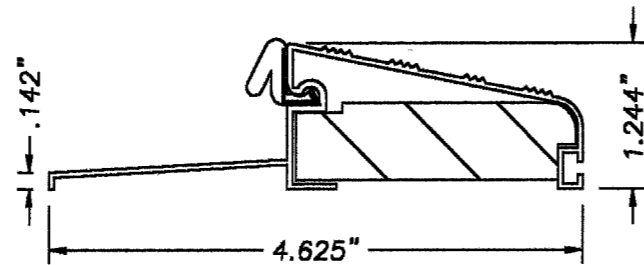
WOOD BOTTOM STYLE



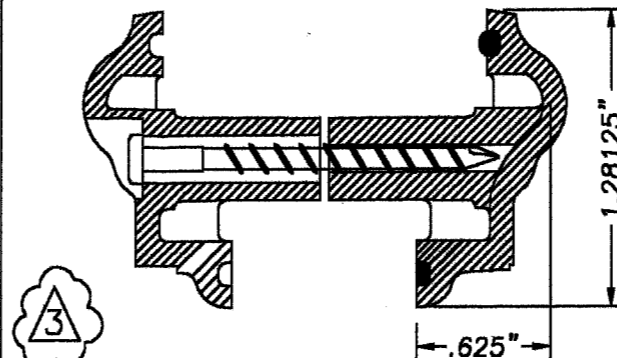
SIDELITE TOP & BOTTOM WOOD STYLE



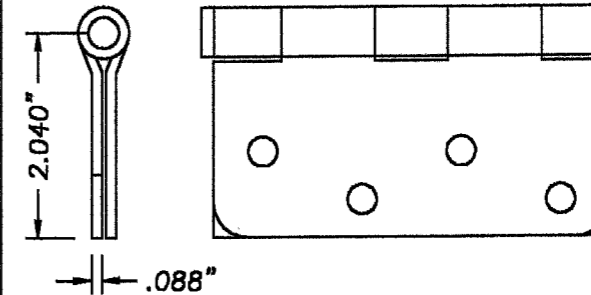
LVL LATCH STYLE



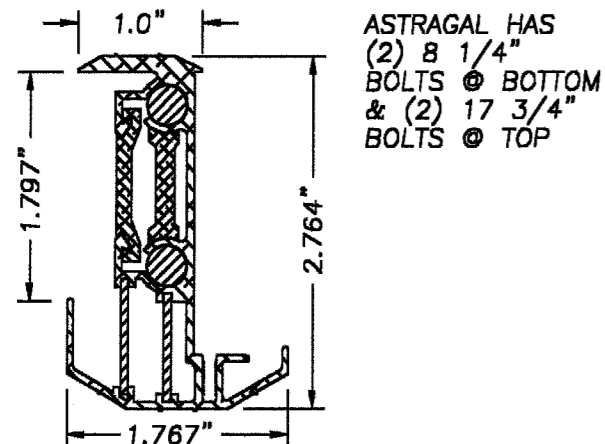
OUTSWING BUMP FACE
ALUMINUM THRESHOLD
.045" WALL THK.



ODL Spartech Polycorn PP5530 C13
Trinity GE ASA Polycarbonate Lite Frame

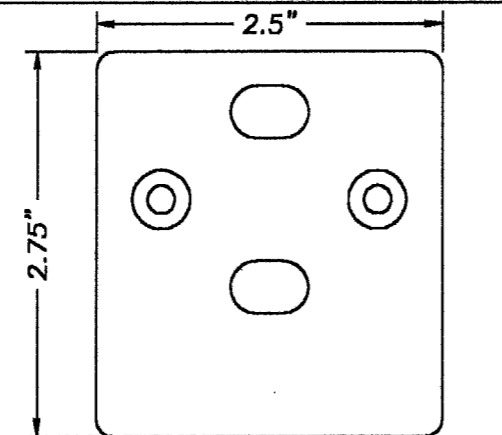


4 x 4 DOOR HINGE

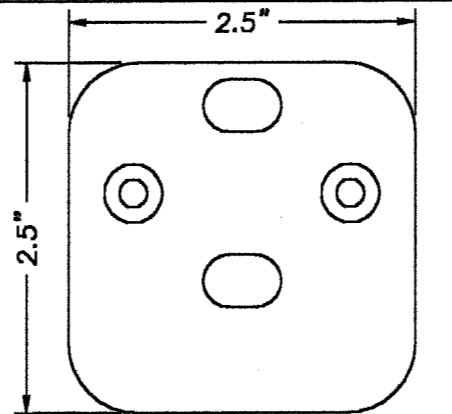


ASTRAGAL WINDJAMBER II
(WR68S) T-6063 EXTRUDED ALUMINUM

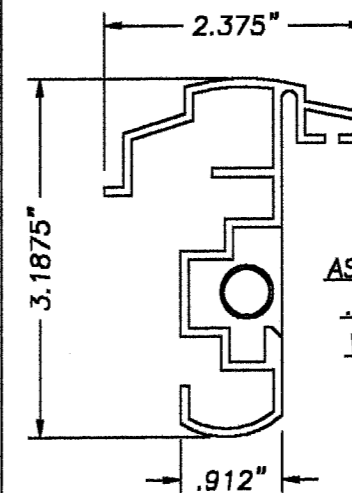
ASTRAGAL HAS
(2) 8 1/4"
BOLTS @ BOTTOM
& (2) 17 3/4"
BOLTS @ TOP



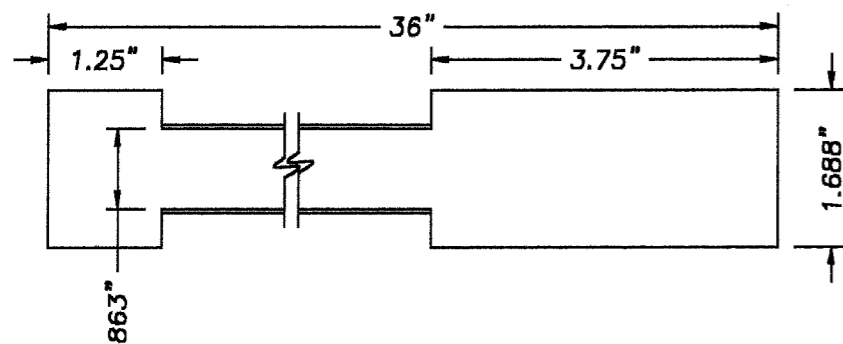
ASTRAGAL THRESHOLD STRIKE PLATE
WR68S .50" ALUM.



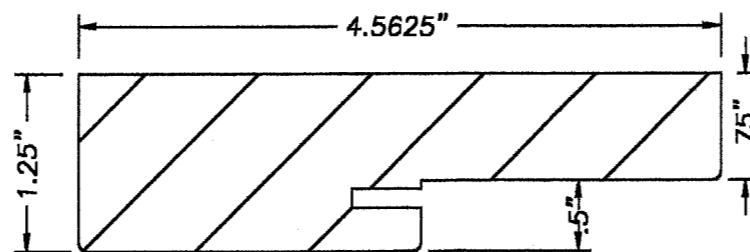
ASTRAGAL HEADER STRIKE PLATE
WR68S .066" STEEL



OPTIONAL
ASTRAGAL (IMPERIAL)
.075" WALL ALUM.
W/(2) 12" BOLTS



DOOR PANEL TOP & BOTTOM REIN.
.040" STEEL



WOOD FRAME

PRODUCT RENEWED

ACCEPTANCE NO. 01-0928-07
EXPIRATION DATE NOVEMBER 01, 2006
By Ichag I. Chanda
PRODUCT CONTROL DIVISION
BUILDING CODE COMPLIANCE OFFICE

APPROVED AS COMPLYING WITH THE
SOUTH FLORIDA BUILDING CODE
DATE APRIL 19, 2007
BY Maurice Perry
PRODUCT CONTROL DIVISION
BUILDING CODE COMPLIANCE OFFICE
ACCEPTANCE NO. 01-0226-03

RW BUILDING
CONSULTANTS, INC.
813.684.3831

DATE: 6/5/00
SCALE: N.T.S.
DWG. BY: TJH
CHK. BY: RW
DRAWING NO.: 39639
SHEET 7 OF 7

PRODUCT:		FRAME COMPONENTS	
STANLEY OUTSWING OPAQUE		STANLEY DOOR SYSTEMS	
11-4 x 6-8 WOODEDGE		7300 REAMES ROAD	
DOOR W/ & W/O SIDELITES		CHARLOTTE, NC 28216	
PART OR ASSEMBLY:		PH. (704) 921-3470	
		NO.	DATE
3	3/10/01	RW	
2	1/12/01	RW	
1	12/20/00	RW	
		BY	
		REVISIONS	