



BUILDING CODE COMPLIANCE OFFICE (BCCO)
PRODUCT CONTROL DIVISION

MIAMI-DADE COUNTY, FLORIDA
METRO-DADE FLAGLER BUILDING
140 WEST FLAGLER STREET, SUITE 1603
MIAMI, FLORIDA 33130-1563
(305) 375-2901 FAX (305) 375-2908
www.miamidade.gov/buildingcode

NOTICE OF ACCEPTANCE (NOA)

Hartman Windows & Doors, LLC
531 Southern Blvd.
West Palm Beach, Fl. 33405

SCOPE:

This NOA is being issued under the applicable rules and regulations governing the use of construction materials. The documentation submitted has been reviewed by Miami-Dade County Product Control Division and accepted by the Board of Rules and Appeals (BORA) to be used in Miami Dade County and other areas where allowed by the Authority Having Jurisdiction (AHJ).

This NOA shall not be valid after the expiration date stated below. The Miami-Dade County Product Control Division (In Miami Dade County) and/or the AHJ (in areas other than Miami Dade County) reserve the right to have this product or material tested for quality assurance purposes. If this product or material fails to perform in the accepted manner, the manufacturer will incur the expense of such testing and the AHJ may immediately revoke, modify, or suspend the use of such product or material within their jurisdiction. BORA reserves the right to revoke this acceptance, if it is determined by Miami-Dade County Product Control Division that this product or material fails to meet the requirements of the applicable building code.

This product is approved as described herein, and has been designed to comply with the Florida Building Code, including the High Velocity Hurricane Zone.

DESCRIPTION: Series "American" Outswing Opaque Wood Patio Doors

APPROVAL DOCUMENT: Drawing No **W08-38**, titled "American" Outswing Wood Patio Doors" Sheets 1 through 10 of 10, dated 04-28-08 and last revised on Sep 10, 2008, prepared by Al-Farooq Corporation, signed and sealed by Dr. Humayoun Farooq, P.E., bearing the Miami-Dade County Product Control Approval stamp with the Notice of Acceptance number and approval date by the Miami-Dade County Product Control Division.

MISSILE IMPACT RATING: Large and Small Impact

Limitation:

1. Wood material in direct contact with masonry or concrete shall be treated with approved preservative or approved durable species complying w/ chapter 23 of FBC.
2. Min thickness of raised panel=1-3/4" with 3/4" min thick tongue and min 1/2" bites.

LABELING: Each unit shall bear a permanent label with the manufacturer's name or logo, city, state and following statement: "Miami-Dade County Product Control Approved", unless otherwise noted herein.

RENEWAL of this NOA shall be considered after a renewal application has been filed and there has been no change in the applicable building code negatively affecting the performance of this product.

TERMINATION of this NOA will occur after the expiration date or if there has been a revision or change in the materials, use, and/or manufacture of the product or process. Misuse of this NOA as an endorsement of any product, for sales, advertising or any other purposes shall automatically terminate this NOA. Failure to comply with any section of this NOA shall be cause for termination and removal of NOA.

ADVERTISEMENT: The NOA number preceded by the words Miami-Dade County, Florida, and followed by the expiration date may be displayed in advertising literature. If any portion of the NOA is displayed, then it shall be done in its entirety.

INSPECTION: A copy of this entire NOA shall be provided to the user by the manufacturer or its distributors and shall be available for inspection at the job site at the request of the Building Official.

This NOA consists of this page 1 and evidence pages E-1 as well as approval document mentioned above.

The submitted documentation was reviewed by **Ishaq I. Chanda, P.E.**

NOA No 08-0603.05

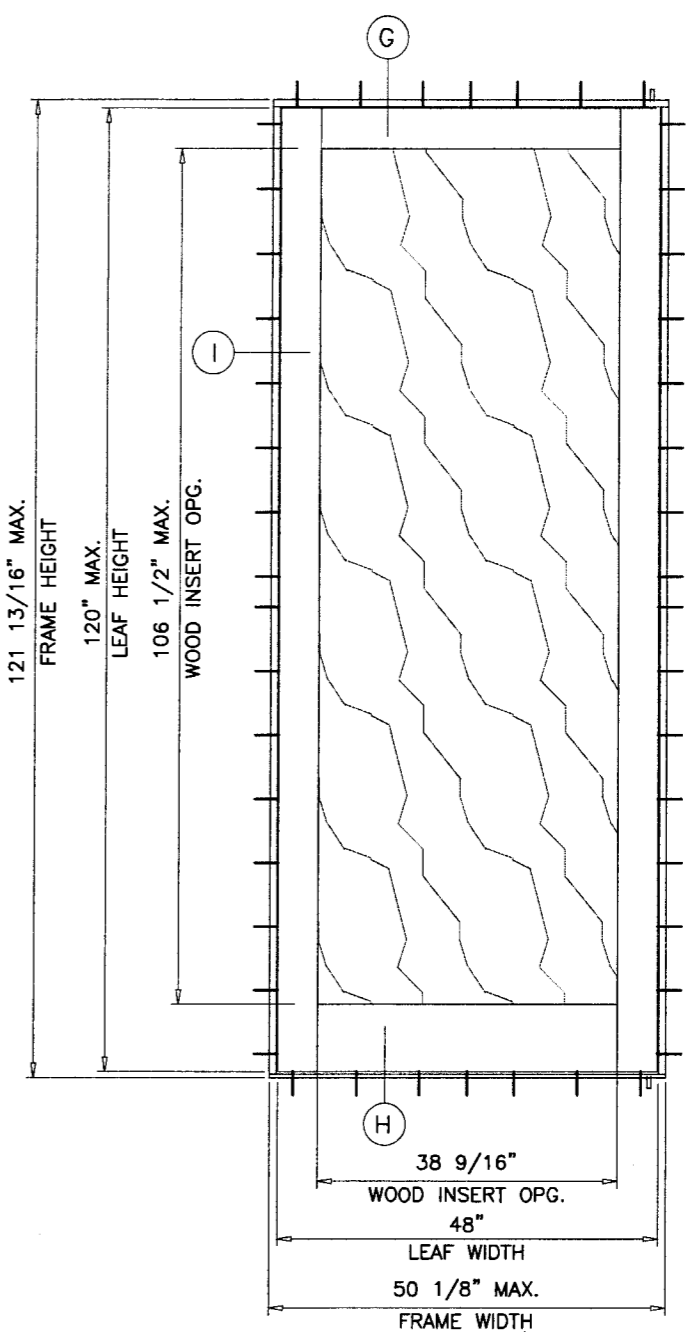
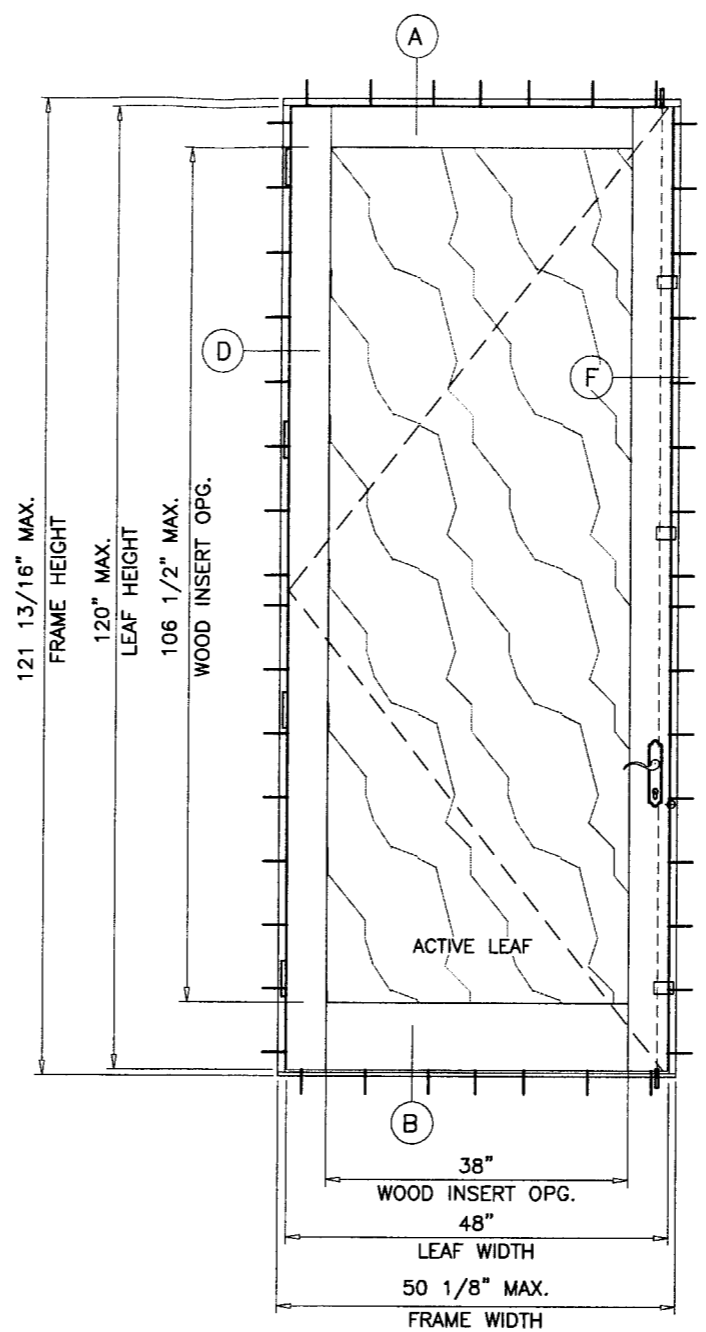
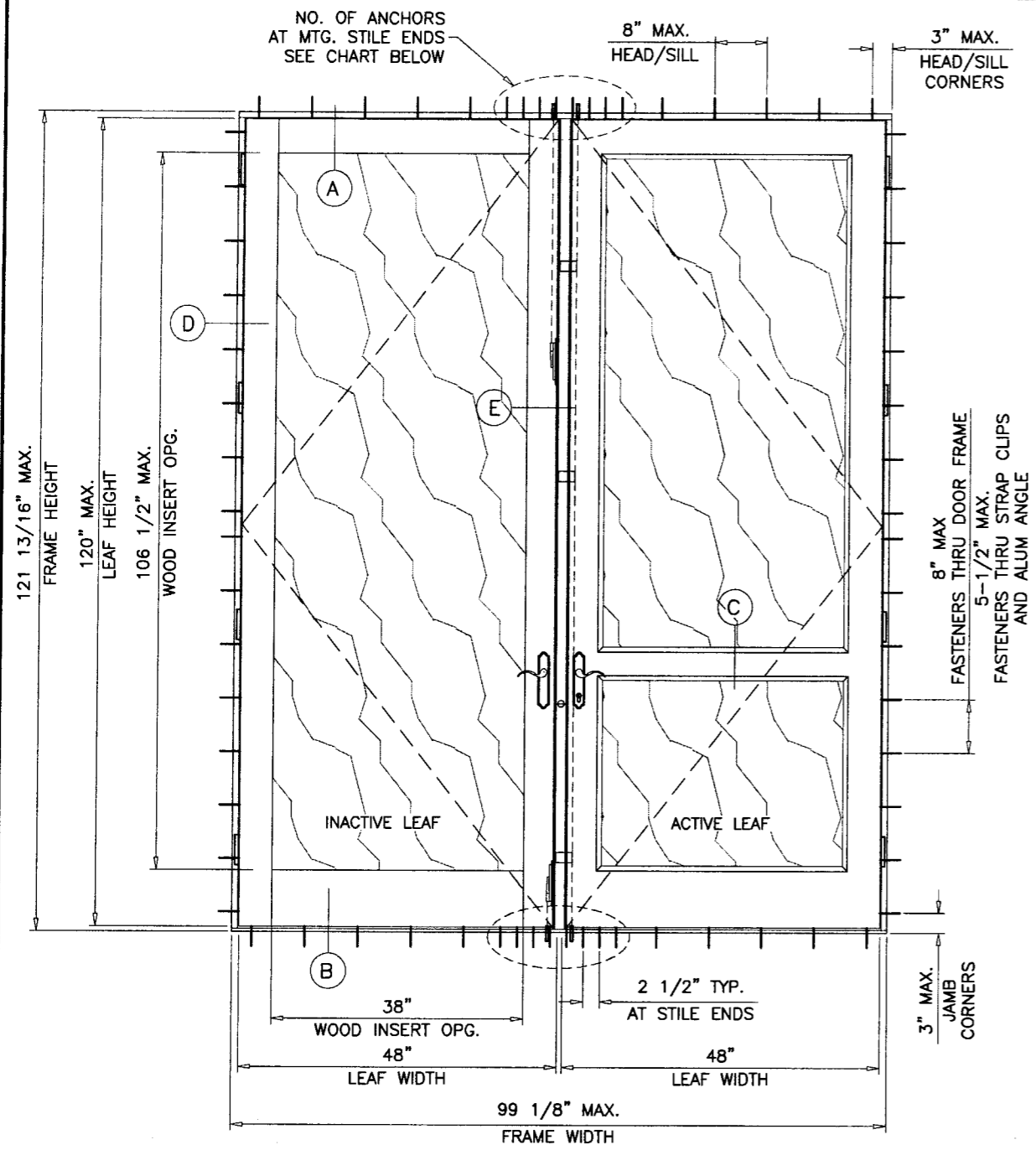
Expiration Date: October 23, 2013

Approval Date: October 23, 2008

Page 1



9/29/08



NUMBER OF ANCHORS AT MTG. STILE ENDS			
MAXIMUM DOOR HEIGHT	THRU DOOR FRAME	THRU STRAP CLIP	THRU CONT. ANGLE
10 FT.	6	20	7
8 FT.	5	16	6

THESE DOORS ARE RATED FOR LARGE MISSILE IMPACT. SHUTTERS ARE NOT REQUIRED.

Approved as complying with the Florida Building Code
 Date OCT 23, 2008
 NOA# 08-0603.05
 Miami Dade Product Control
 Division
 By Shag I. Chunda

SOLID WOOD PANELS

Engr: DR. HUMAYOUN FAROOQ
 STRUCTURES
 FLA. PE # 16557
 C.A.N. 3538
 SEP 10 2008

AMERICAN OUTSWING WOOD PATIO DOOR
 DESIGN LOAD RATING FOR THESE DOORS TO BE AS PER CHARTS SHOWN ON SHEET 2.

APPROVAL APPLIES TO SINGLE (X) AND DOUBLE (XX) LEAF DOORS. ALSO SINGLE AND DOUBLE DOORS IN COMBINATION WITH SIDELITES USING MIAMI-DADE COUNTY APPROVED MULLIONS IN BETWEEN. ALSO SINGLE AND DOUBLE DOORS WITH OR WITHOUT SIDELITES IN COMBINATION WITH TRANSOMS USING MIAMI-DADE COUNTY APPROVED MULLION IN BETWEEN. LOWER DESIGN PRESSURES FROM DOOR, SIDELITE OR MULLION APPROVAL WILL APPLY TO ENTIRE SYSTEM, TO BE REVIEWED AND APPROVED BY AUTHORITY HAVING JURISDICTION.

USE THRESHOLD (B) FOR INSTALLATIONS WHERE WATER INFILTRATION RESISTANCE IS REQUIRED.

THRESHOLD (B1) MAY BE USED FOR INSTALLATIONS WHERE WATER INFILTRATION RESISTANCE IS NOT REQUIRED.

THIS PRODUCT HAS BEEN DESIGNED AND TESTED TO COMPLY WITH THE REQUIREMENTS OF THE FLORIDA BUILDING CODE 2004/2007 EDITION INCLUDING HIGH VELOCITY HURRICANE ZONE (HVHZ).

WOOD BUCKS BY OTHERS, MUST BE ANCHORED PROPERLY TO TRANSFER LOADS TO THE STRUCTURE.

ANCHORS SHALL BE AS LISTED, SPACED AS SHOWN ON DETAILS, ANCHORS EMBEDMENT TO BASE MATERIAL SHALL BE BEYOND WALL DRESSING OR STUCCO. ANCHORING OR LOADING CONDITIONS NOT SHOWN IN THESE DETAILS ARE NOT PART OF THIS APPROVAL.

A LOAD DURATION INCREASE IN ALLOWABLE STRESS IS USED IN DESIGN OF ANCHORS INTO WOOD ONLY.

MATERIALS INCLUDING BUT NOT LIMITED TO STEEL/METAL SCREWS, THAT COME INTO CONTACT WITH OTHER DISSIMILAR MATERIALS SHALL MEET THE REQUIREMENTS OF 2004/2007 FLORIDA BLDG. CODE SECTION 2003.8.4.

afC

AL-FAROOQ CORPORATION
 ENGINEERS & PRODUCT DEVELOPMENT
 1235 S.W. 87 AVE
 MIAMI, FLORIDA 33174
 TEL. (305) 264-8100 FAX. (305) 262-8978
 COMP-ANL\W08-38HWD

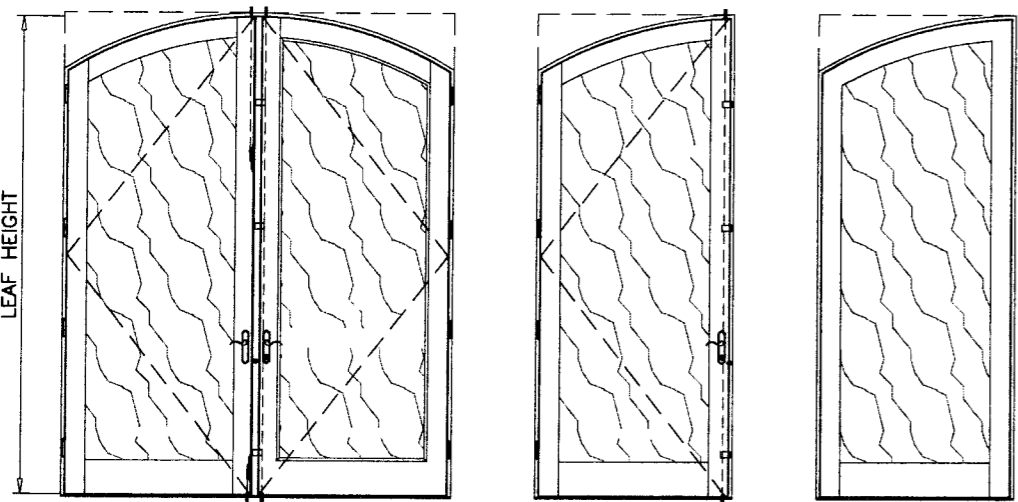
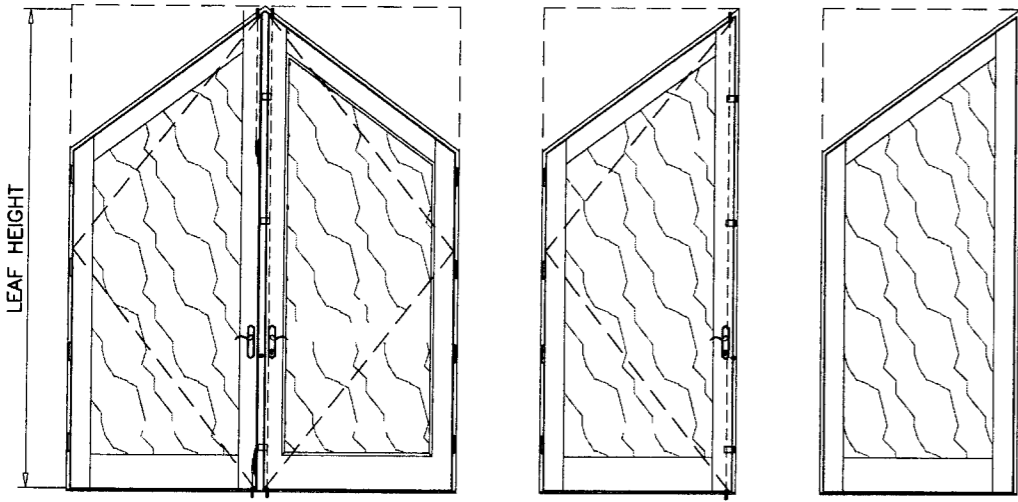
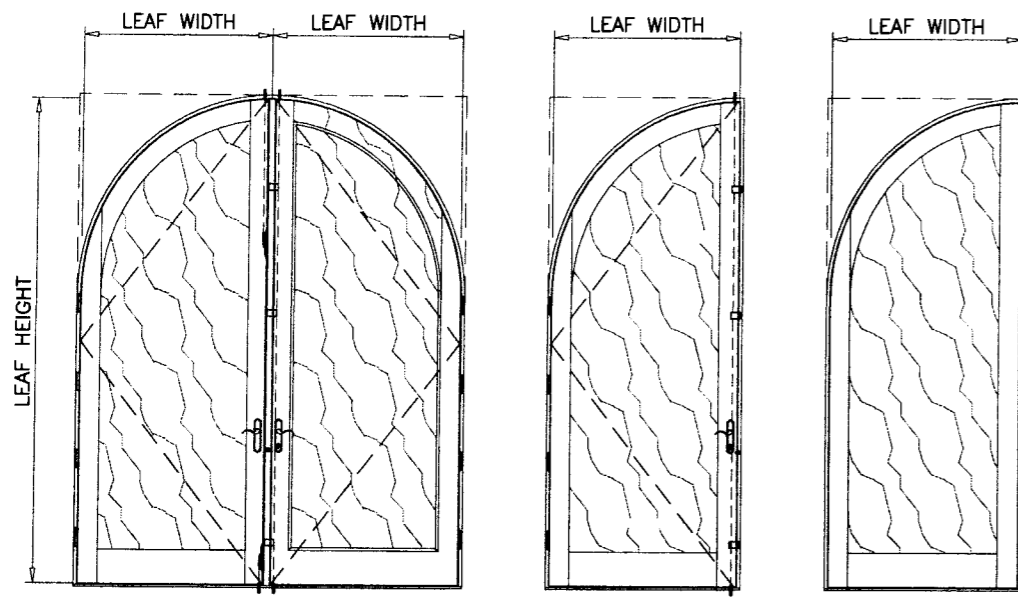
AMERICAN OUTSWING WOOD PATIO DOOR (L.M.I.)
HARTMAN WINDOWS & DOORS, LLC
 531 SOUTHERN BLVD.
 WEST PALM BEACH, FL 33405
 TEL. (561) 296-9600 FAX. (561) 296-9601

no.	date	description	REV. PER	BCCO	COMMENTS
A	07.08.08				

date: 04-28-08
 scale: 1/2"=1'-0"
 dr. by: H-AMID
 chk. by:

drawing no.
W08-38

sheet 1 of 10



(XX)

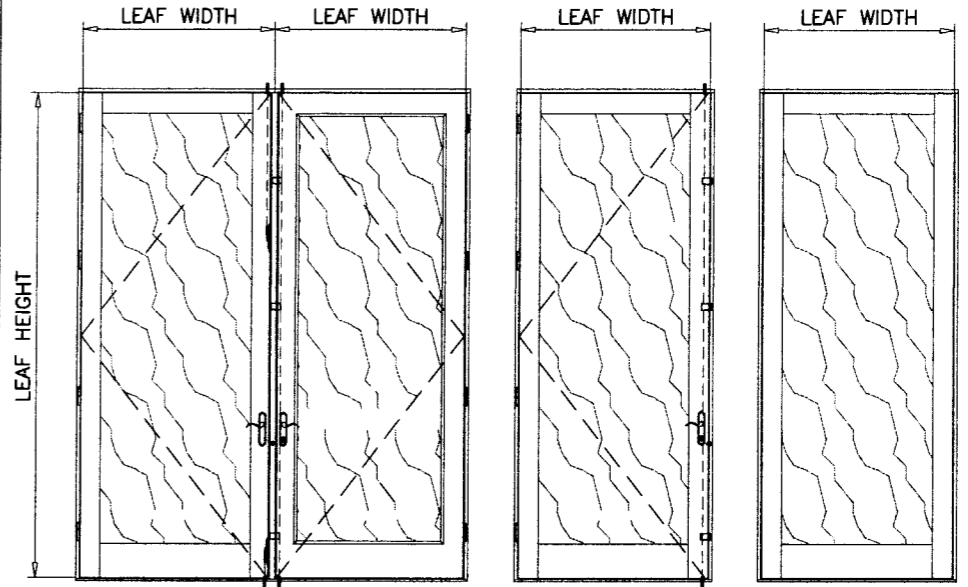
(X)

(O)

ALLOWABLE LOADS FOR ALTERNATE SHAPES AS SHOWN ABOVE OR SIMILAR CAN BE VERIFIED BY INSCRIBING DOOR SHAPE WITHIN RECTANGLE AS SHOWN IN DOTTED LINES AND OBTAINING ALLOWABLE LOADS FROM THOSE SHAPES.

DESIGN LOAD CAPACITY - PSF
ARCH TOP DOORS

NOMINAL DIMS.		1-3/4" THK. WOOD INSERT	
LEAF WIDTH INCHES	LEAF HEIGHT INCHES	EXT.(+)	INT.(-)
36	84	70.0	70.0
	96	70.0	70.0
	108	70.0	70.0
	120	70.0	70.0



(XX)

(X)

(O)

DESIGN LOAD CAPACITY - PSF
RECTANGLE DOORS

NOMINAL DIMS.		1-3/4" THK. WOOD INSERT	
LEAF WIDTH INCHES	LEAF HEIGHT INCHES	EXT.(+)	INT.(-)
36	84	70.0	70.0
	96	70.0	70.0
	108	70.0	70.0
	120	70.0	70.0
42	84	70.0	70.0
	96	70.0	70.0
	108	70.0	70.0
48	84	70.0	70.0
	96	70.0	70.0
	108	70.0	70.0

DOORS CAN BE INSTALLED WITH ANY OF THE FOLLOWING OPTIONS

- OPTION 1: BY USING FASTENERS THRU DOOR FRAME.
- OPTION 2: BY USING FASTENERS THRU STRAP CLIPS.
- OPTION 3: BY USING FASTENERS THRU CONT. ALUM ANGLE.

SEE ELEVATIONS FOR SPACING
SEE SHEETS 4 THRU 7 FOR DETAILS.

FOR DESCRIPTION AND LOCATION OF
LOCKS AND HINGES SEE SHEET 3.

Engr: DR. HUMAYOON FAROOQ
STRUCTURES
FLA. PE # 16557
C.A.N. 3538

SEP 10 2008

Approved as complying with the
Florida Building Code
Date 07/23/2008
NOA# 08-0603-05
Miami Dade Product Control
Division
By Shag I. Chant

af c
AL-FAROOQ CORPORATION
ENGINEERS & PRODUCT DEVELOPMENT
1235 S.W. 87 AVE
MIAMI, FLORIDA 33174
TEL. (305) 264-8100 FAX. (305) 262-6978
COMP-ANL\W08-38HWD

AMERICAN OUTSWING WOOD PATIO DOOR (L.M.I.)
HARTMAN WINDOWS & DOORS, LLC
531 SOUTHERN BLVD.
WEST PALM BEACH, FL 33405
TEL. (561) 296-9600 FAX. (561) 296-9601

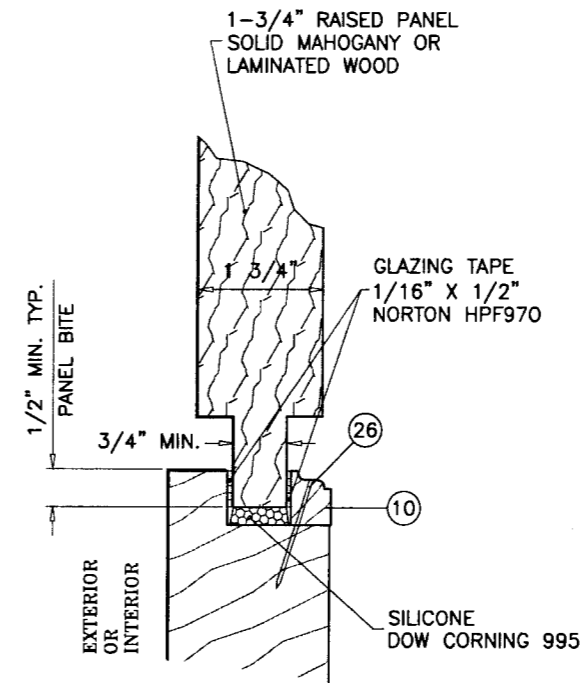
Revisions:

no	date	by	description
A	07.08.08		REV. PER BCCO COMMENTS

date: 04-28-08
scale: 1/2"=1'-0"
dr. by: H-AMID
chk. by:

drawing no.
W08-38

sheet 2 of 10



GLAZING DETAIL

SEALANT:

ALL JOINTS SEALED WITH SONNEBORN NP 1 POLYURETHANE SEALANT.

HINGES:

4-1/2" X 4-1/2" ST. STEEL BUTT HINGES
 AT 8-1/4" FROM TOP, 12-1/4" FROM BOTTOM
 AND 30-1/8" O.C. MAX.

LOCKS:

SINGLE LEAF DOORS

6 POINT LOCKING SYSTEM BY 'SCHLEGEL' WITH KEEPERS ON FRAME
 AND SHOOT BOLTS ENGAGING SIMULTANEOUSLY AT HEAD & SILL
 ACTUATING HANDLE AT 37" FROM BOTTOM.
 DEAD BOLT LOCK AT 33-1/2" FROM BOTTOM.

3-3/4" LONG KEEPERS AT 10-1/2", 67-1/2" AND 98-1/2"
 FROM BOTTOM, FASTENED W/ (2) #8 X 1-1/4" FH SMS

8" LONG KEEPER AT 38" FROM BOTTOM
 FASTENED W/ (3) #8 X 1-1/4" FH SMS

DOUBLE LEAF DOORS

ACTIVE LEAF:

6 POINT LOCKING SYSTEM BY 'SCHLEGEL' WITH KEEPERS ON IN-ACTIVE LOCK STILE
 AND SHOOT BOLTS ENGAGING SIMULTANEOUSLY AT HEAD & SILL
 ACTUATING HANDLE AT 37" FROM BOTTOM.
 DEAD BOLT LOCK AT 33-1/2" FROM BOTTOM.

3-3/4" LONG KEEPERS AT 10-1/2", 67-1/2" AND 98-1/2"
 FROM BOTTOM, FASTENED W/ (2) #8 X 1-1/4" FH SMS

8" LONG KEEPER AT 38" FROM BOTTOM
 FASTENED W/ (3) #8 X 1-1/4" FH SMS

IN-ACTIVE LEAF:

CONCEALED FLUSH BOLTS BY 'HARTMAN'
 MANUALLY OPERATED LEVERS MOUNTED ON INSIDE FACE
 OF LEAF STILE.

Approved as complying with the
 Florida Building Code
 Date OCT 23, 2008
 NOAH 08-0603-05
 Miami Dade Product Control
 Division
 By Shag L. Lhanda

Engr: DR. HUMAYGUN FAROOQ
 STRUCTURES
 FLA. PE # 16557
 C.A.N. 3538
 SEP 10 2008

af c

AL-FAROOQ CORPORATION
 ENGINEERS & PRODUCT DEVELOPMENT
 1235 S.W. 87 AVE
 MIAMI, FLORIDA 33174
 TEL. (305) 264-8100 FAX. (305) 262-6978
 COMP-ANL\W08-38HWD

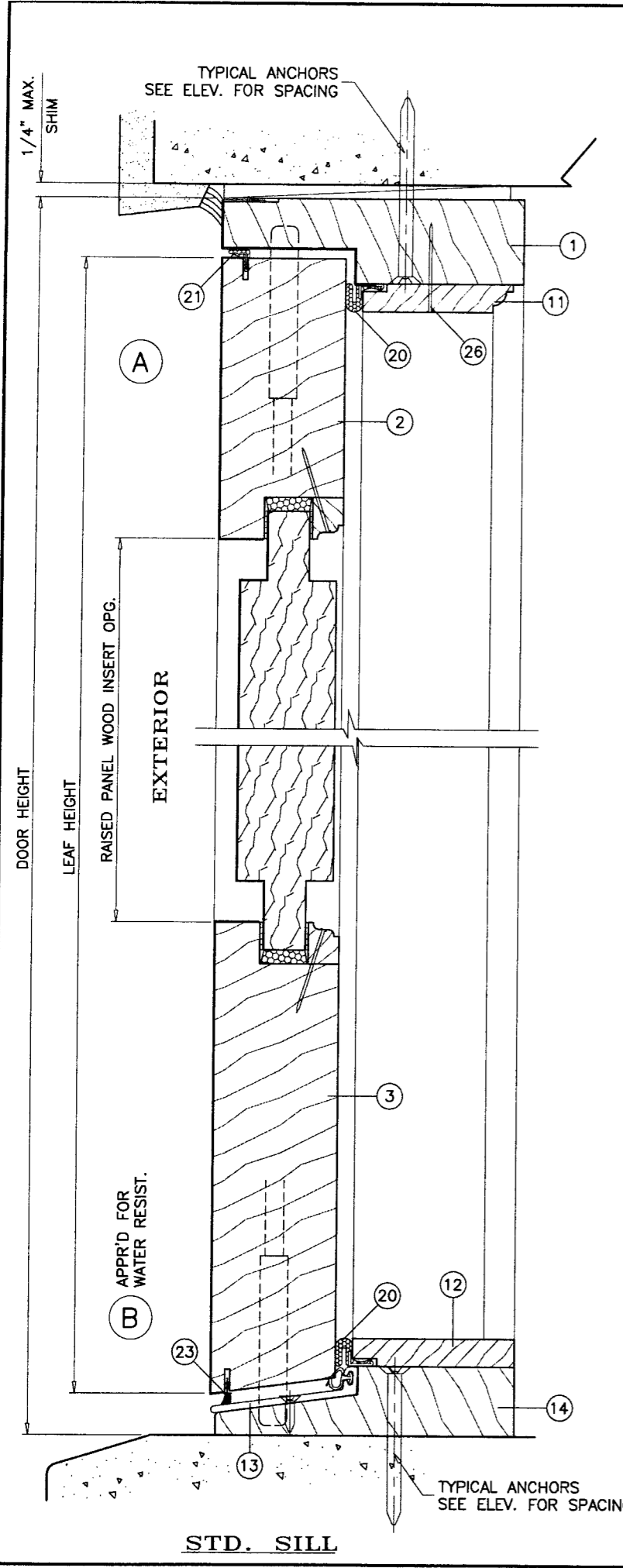
AMERICAN OUTSWING WOOD PATIO DOOR (L.M.I.)
HARTMAN WINDOWS & DOORS, LLC
 531 SOUTHERN BLVD.
 WEST PALM BEACH, FL 33405
 TEL. (561) 296-9600 FAX. (561) 296-9601

no.	date	by	description
A	07.08.08		REV. PER BCCO COMMENTS

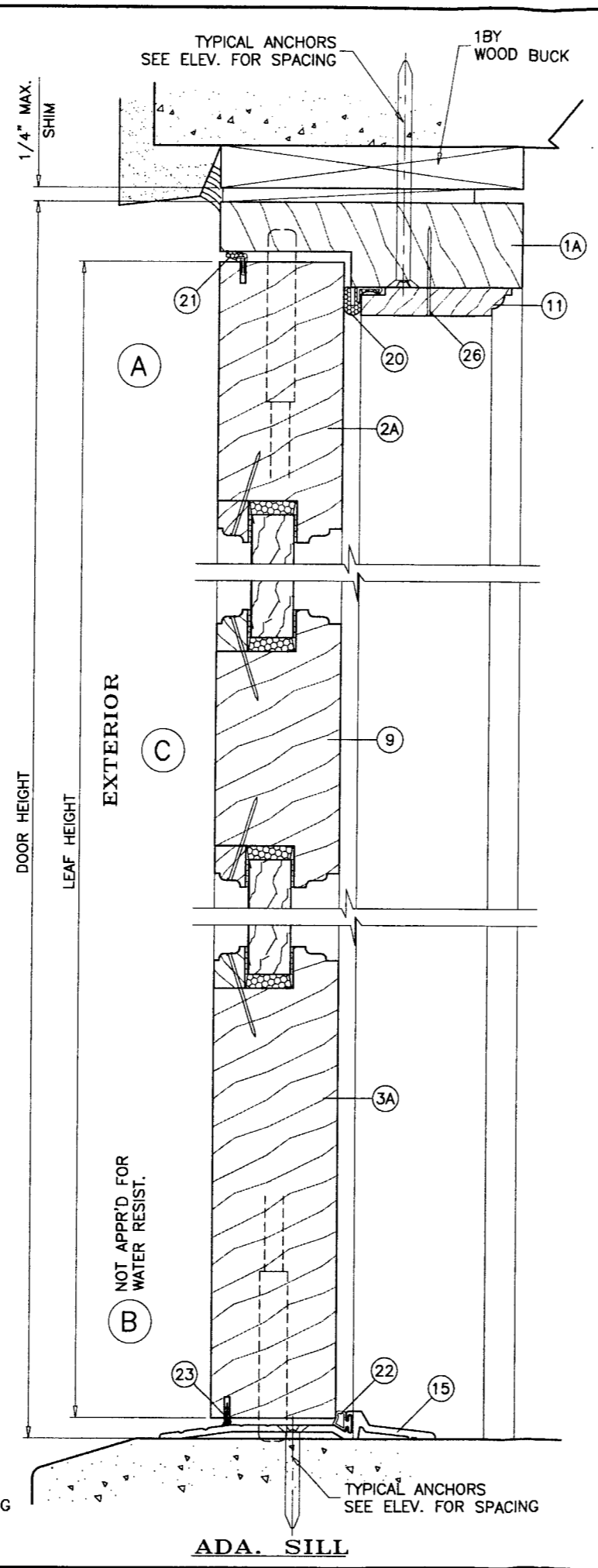
date: 04-28-08
 scale: 3/8" = 1"
 dr. by: HAMID
 chk. by:

drawing no.
W08-38

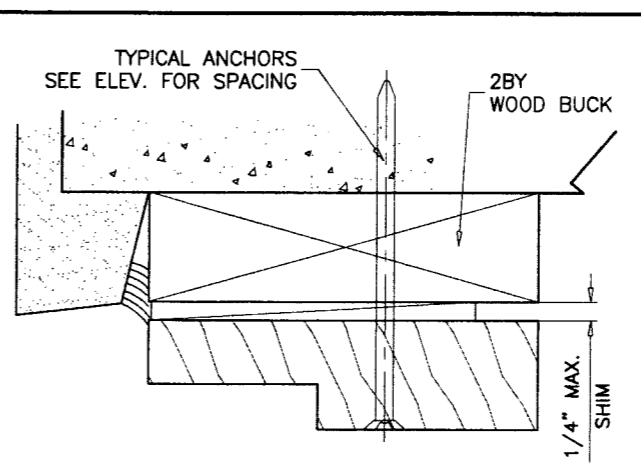
sheet 3 of 10



STD. SILL



ADA. SILL



WOOD BUCKS NOT BY HARTMAN WINDOWS, MUST SUSTAIN LOADS IMPOSED BY GLAZING SYSTEM AND TRANSFER THEM TO THE BUILDING STRUCTURE.

TYPICAL ANCHORS

ANCHORS THRU DOOR FRAME

- A: 1/4" DIA. TAPCONS BY 'ITW'
- INTO 2BY WOOD BUCKS OR WOOD STRUCTURE
1-3/8" MIN. PENETRATION INTO WOOD
- THRU WOOD BUCKS INTO MASONRY OR DIRECTLY INTO MASONRY
1-1/4" MIN. EMBED INTO CONC. OR MASONRY

ANCHORS THRU STRAP CLIPS & ALUM ANGLE

- B: #10 SMS
- INTO 2BY WOOD BUCKS OR WOOD STRUCTURE
1-3/4" MIN. PENETRATION INTO WOOD

ANCHOR EDGE DISTANCES

- INTO CONCRETE AND MASONRY = 2" MIN. (UNLESS SPECIFIED)
- INTO WOOD STRUCTURE = 3/4" MIN. (UNLESS SPECIFIED)

ANCHORS CL TO CL DISTANCE

- INTO CONCRETE AND MASONRY = 2-1/2" MIN.
- INTO WOOD STRUCTURE = 3/4" MIN. (UNLESS SPECIFIED)

Approved as complying with the Florida Building Code
 Date OCT 23 2008
 NOA# 08-0603-05
 Miami Dade Product Control
 Division
 By Sung J. Chanda

Engr: DR. HUMAYOON FAROOQ
 STRUCTURES
 FLA. FE # 16557
 C.A.N. 3538

[Signature]

SEP 10 2008

afC
AL-FAROOQ CORPORATION
 ENGINEERS & PRODUCT DEVELOPMENT
 1235 S.W. 87 AVE
 MIAMI, FLORIDA 33174
 TEL. (305) 264-8100 FAX. (305) 262-6978
 COMP-ANL\W08-38HWD

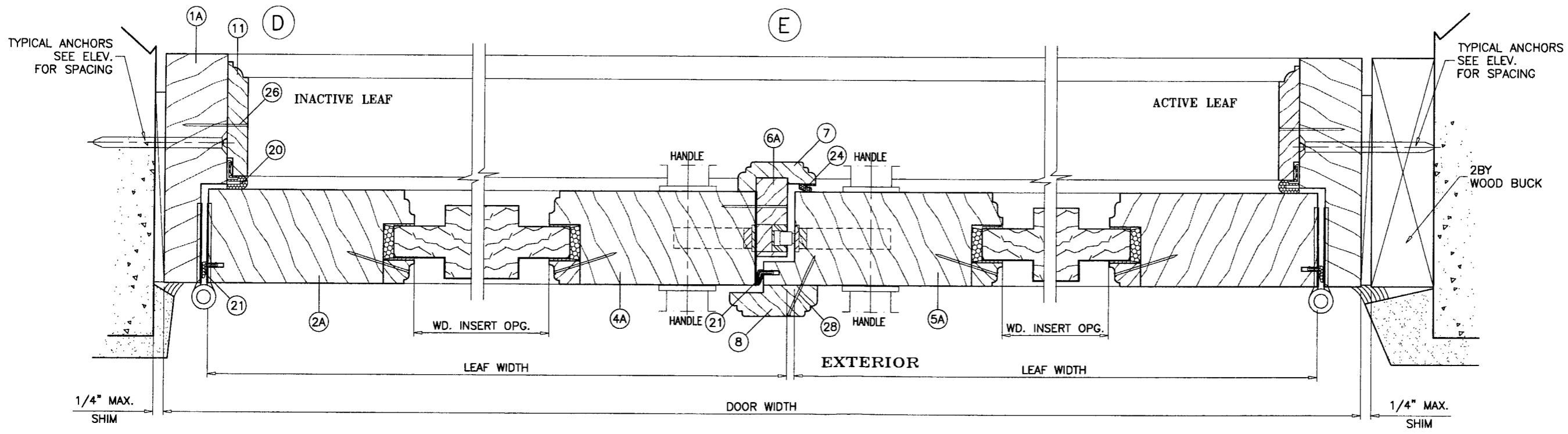
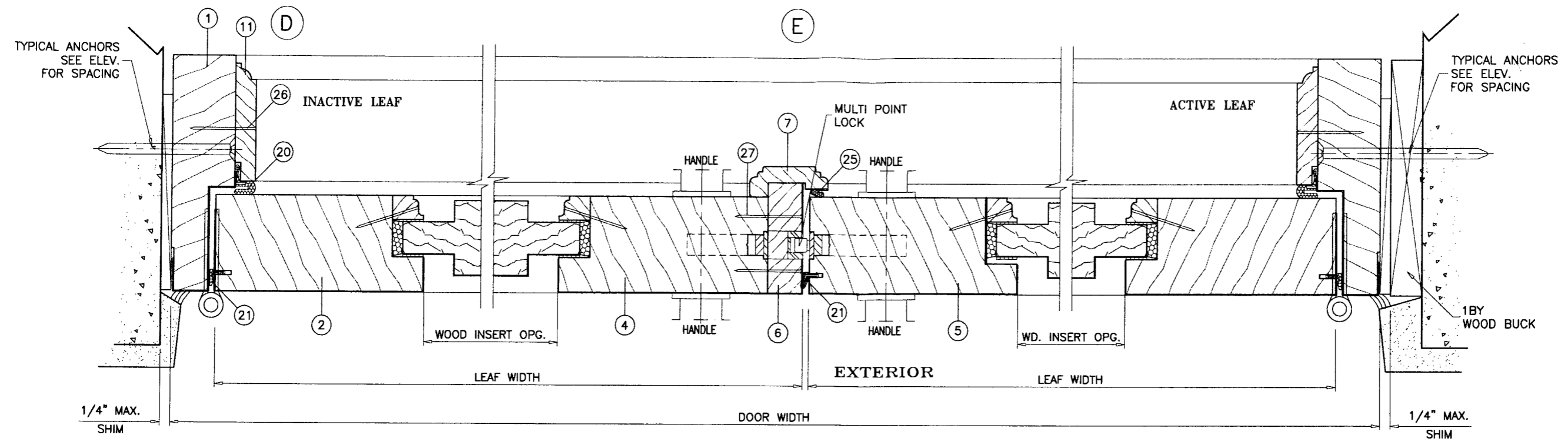
AMERICAN OUTSWING WOOD PATIO DOOR (L.M.I.)
HARTMAN WINDOWS & DOORS, LLC
 531 SOUTHERN BLVD.
 WEST PALM BEACH, FL 33405
 TEL. (561) 296-9600 FAX. (561) 296-9601

no	date	by	description
A	07.08.08		REV. PER BCCO COMMENTS

date: 04-28-08
 scale: 3/8" = 1"
 dr. by: HAMID
 chk. by:

drawing no.
W08-38

sheet 4 of 10



FOR DOOR FRAME INSTALLATION WITH STRAP CLIPS OR CONT. ALUM ANGLE SEE SHEET 7 FOR DETAILS.

Engr. DR. HUMAYOUN FAROOQ
STRUCTURES
FLA. PE # 16557
C.A.N. 3538

17 SEP 10 2008

Approved as complying with the Florida Building Code
Date OCT 23, 2008
NOA# 08-0603-05
Miami Dade Product Control Division
By [Signature]

afC
AL-FAROOQ CORPORATION
ENGINEERS & PRODUCT DEVELOPMENT
1235 S.W. 87 AVE
MIAMI, FLORIDA 33174
TEL. (305) 264-9100 FAX. (305) 262-6978
COMP-ANL\W08-38HWD

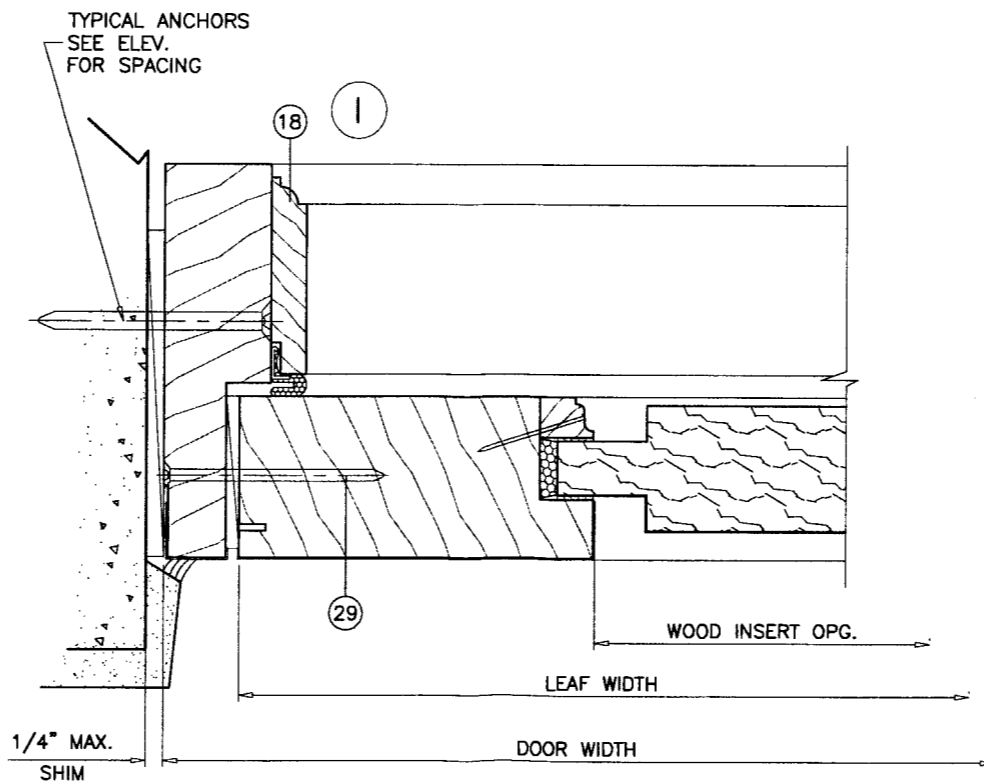
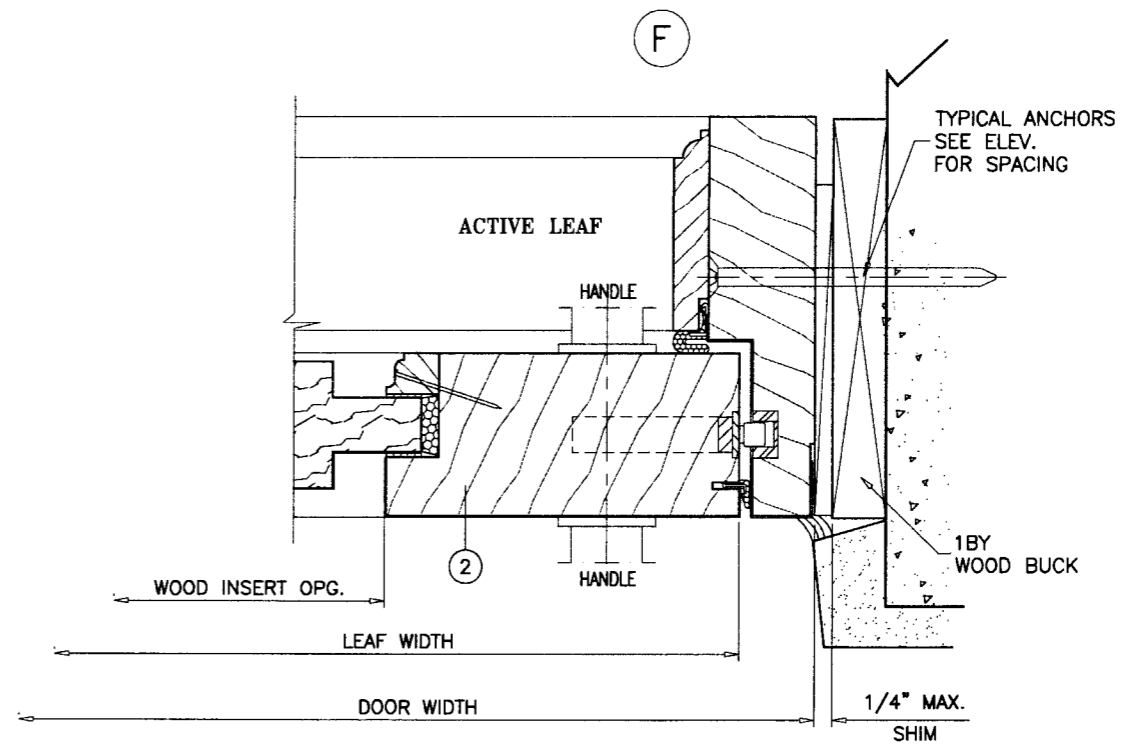
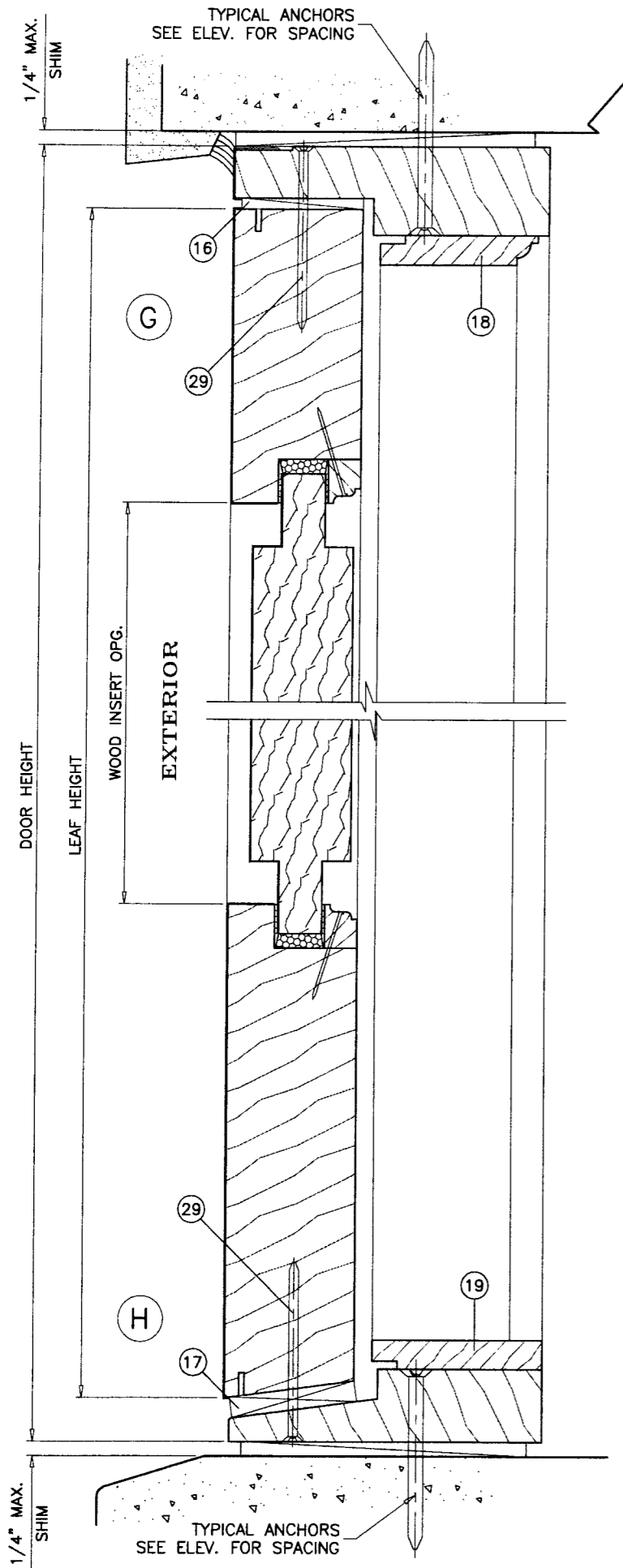
AMERICAN OUTSWING WOOD PATIO DOOR (L.M.I.)
HARTMAN WINDOWS & DOORS, LLC
531 SOUTHERN BLVD.
WEST PALM BEACH, FL 33405
TEL. (561) 296-9600 FAX. (561) 296-9601

no.	date	by	description
A	07.08.08		REV. PER BCCO COMMENTS

date: 04-28-08
scale: 3/8" = 1"
dr. by: HAMID
chk. by:

drawing no.
W08-38

sheet 5 of 10



Approved as complying with the
 Florida Building Code
 Date OCT 23, 2008
 NOA# 08-0603-05
 Miami Dade Product Control
 Division
 By Ignacio Chan

Engr: DR. HUMAYOON FAROOQ
 STRUCTURES
 FLA. PE # 16557
 C.A.N. 3538

[Signature]
 SEP 10 2008

afc
AL-FAROOQ CORPORATION
 ENGINEERS & PRODUCT DEVELOPMENT
 12335 S.W. 87 AVE
 MIAMI, FLORIDA 33174
 TEL. (305) 264-8100 FAX. (305) 262-6978
 COMP-ANL\W08-38HWD

AMERICAN OUTSWING WOOD PATIO DOOR (L.M.I.)
HARTMAN WINDOWS & DOORS, LLC
 531 SOUTHERN BLVD.
 WEST PALM BEACH, FL 33405
 TEL. (561) 296-9600 FAX. (561) 296-9601

no	date	description	REV. PER	BCCO	COMMENTS
A	07.08.08				

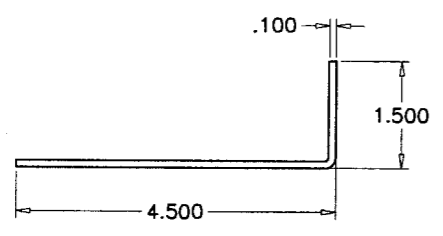
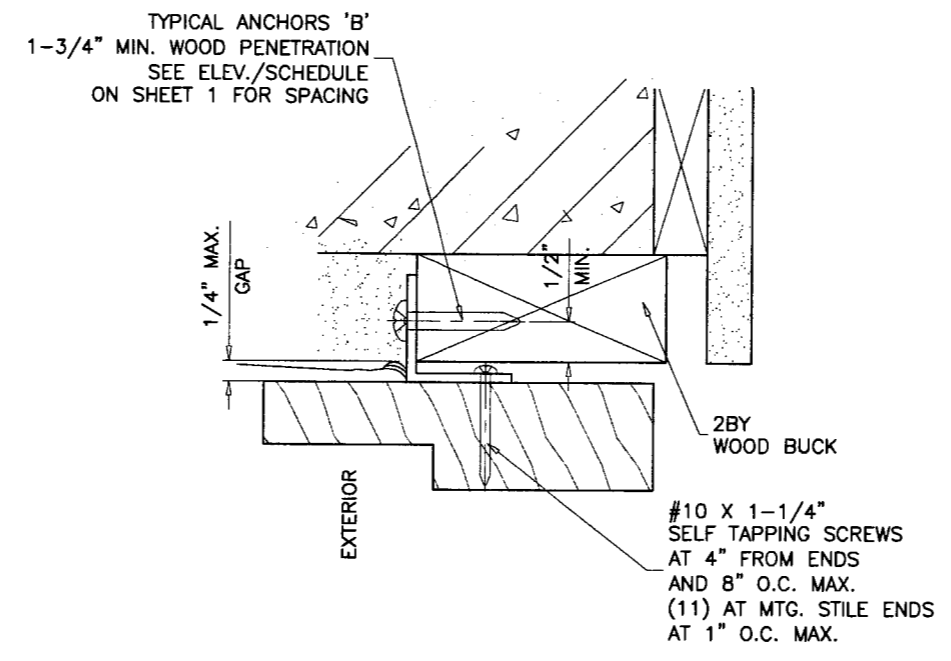
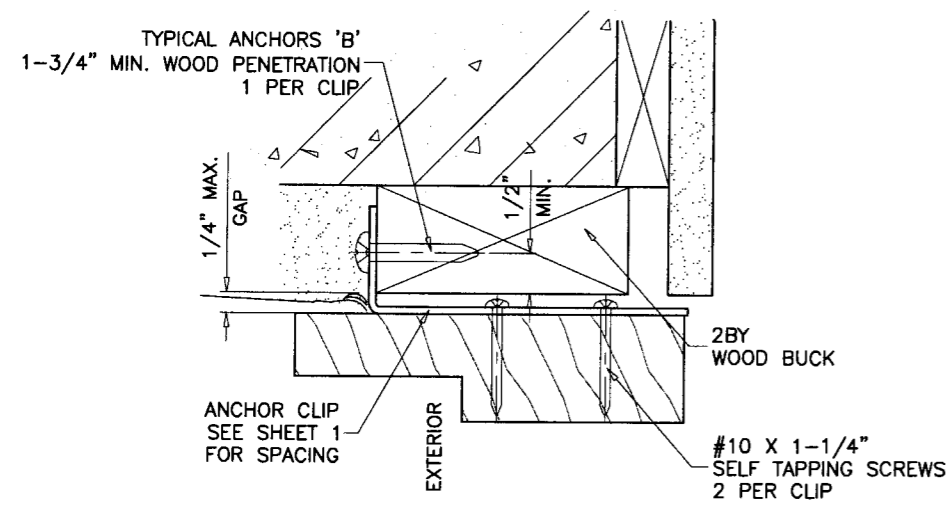
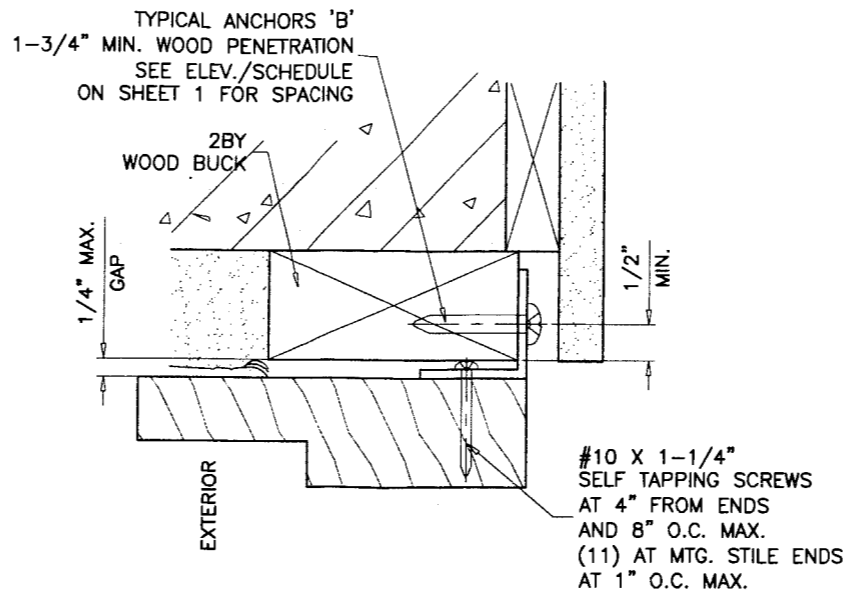
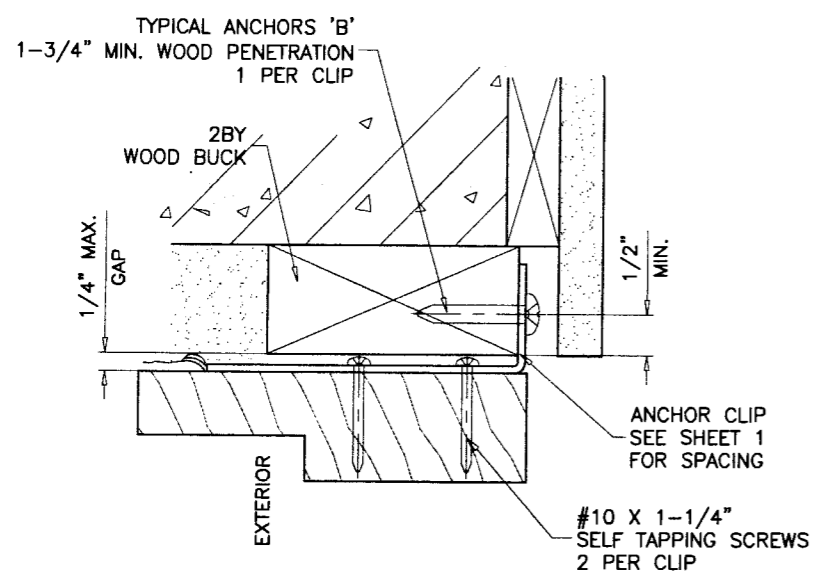
date: 04-28-08
 scale: 3/8" = 1"
 dr. by: HAMID
 chk. by:

drawing no.
W08-38

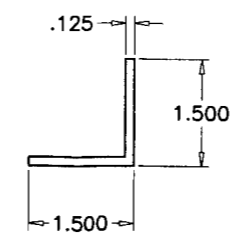
sheet 6 of 10

no.	date	by	description	REV. PER BCCO COMMENTS
A	07.08.08			

date: 04-28-08	scale: 3/8" = 1"	dr. by: HAMID	chk. by:
----------------	------------------	---------------	----------



STRAP CLIP, 1-3/8" LONG
 GALV. STEEL (Fy = 33000 PSI)

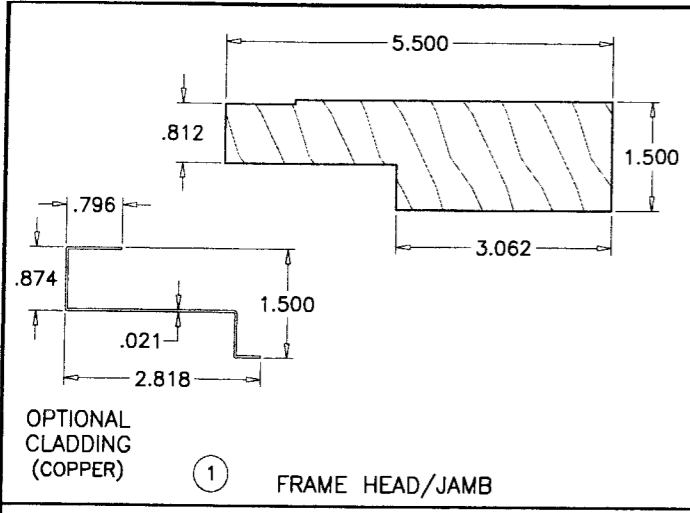


ALUMINUM ANGLE CONT.
 (6063-T6)

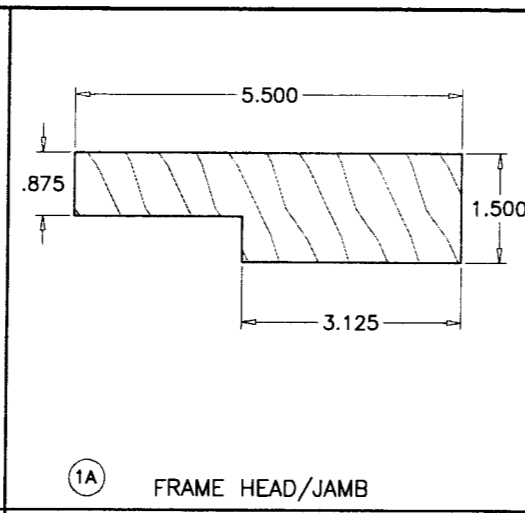
Approved as complying with the
 Florida Building Code
 Date OCT 23, 2008
 NOA# 08-0603-05
 Miami Dade Product Control
 Division
 By Shang I. Chandra

Engr: DR. HUMAYOUN FAROOQ
 STRUCTURES
 FLA. PE # 16557
 C.A.N. 3538

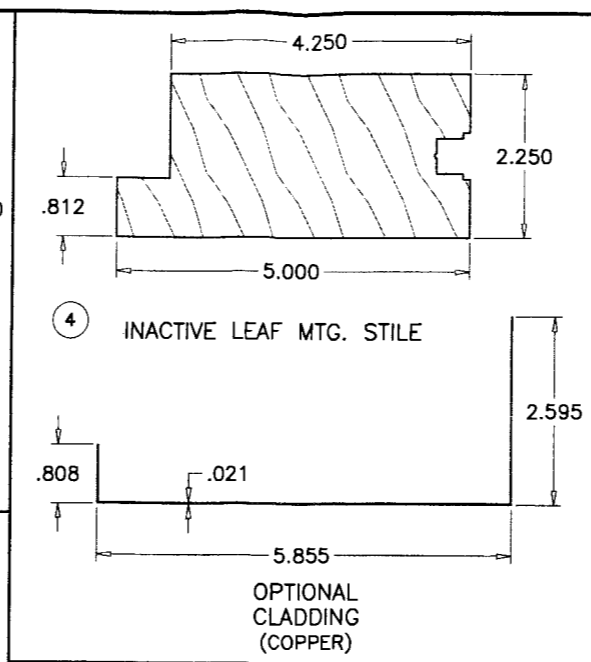
SEP 10 2008



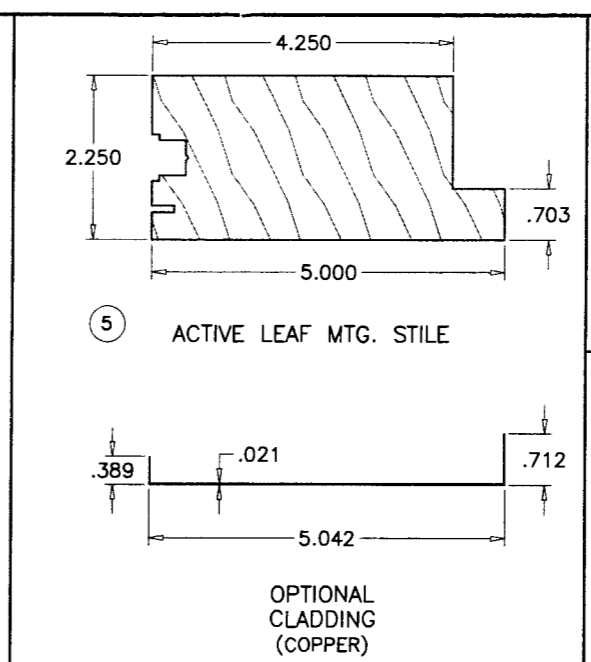
1 FRAME HEAD/JAMB



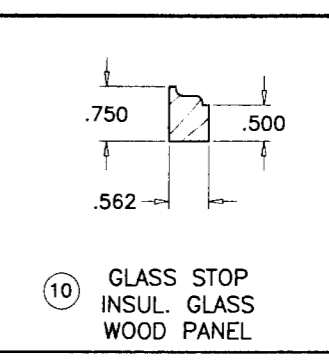
1A FRAME HEAD/JAMB



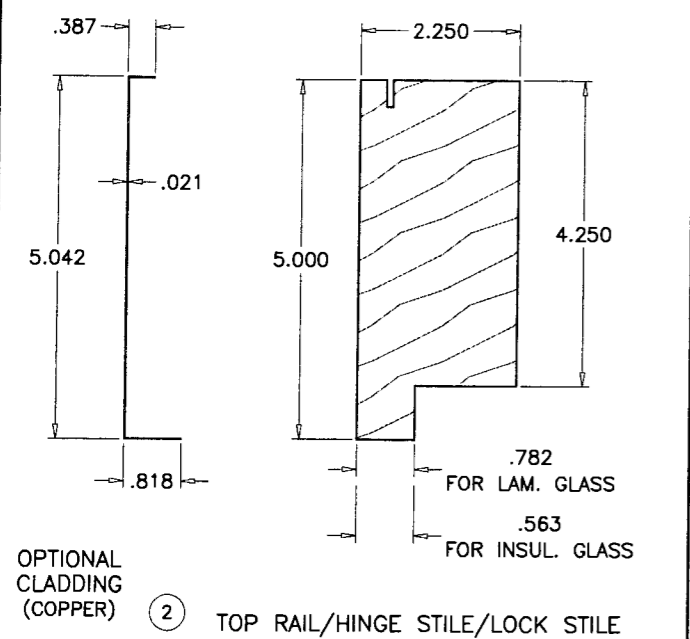
4 INACTIVE LEAF MTG. STILE



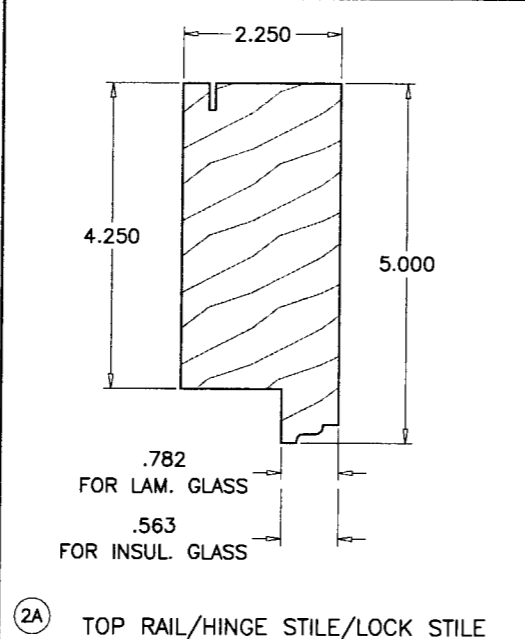
5 ACTIVE LEAF MTG. STILE



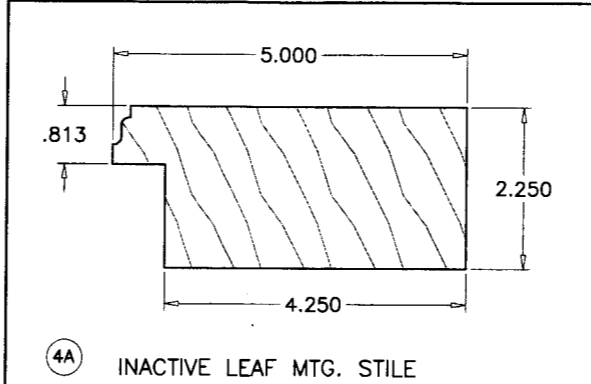
10 GLASS STOP
INSUL. GLASS
WOOD PANEL



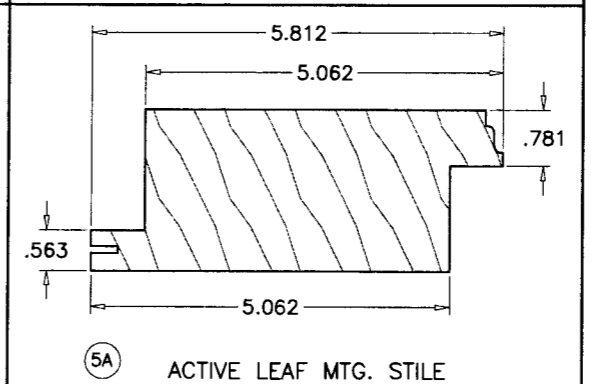
2 TOP RAIL/HINGE STILE/LOCK STILE



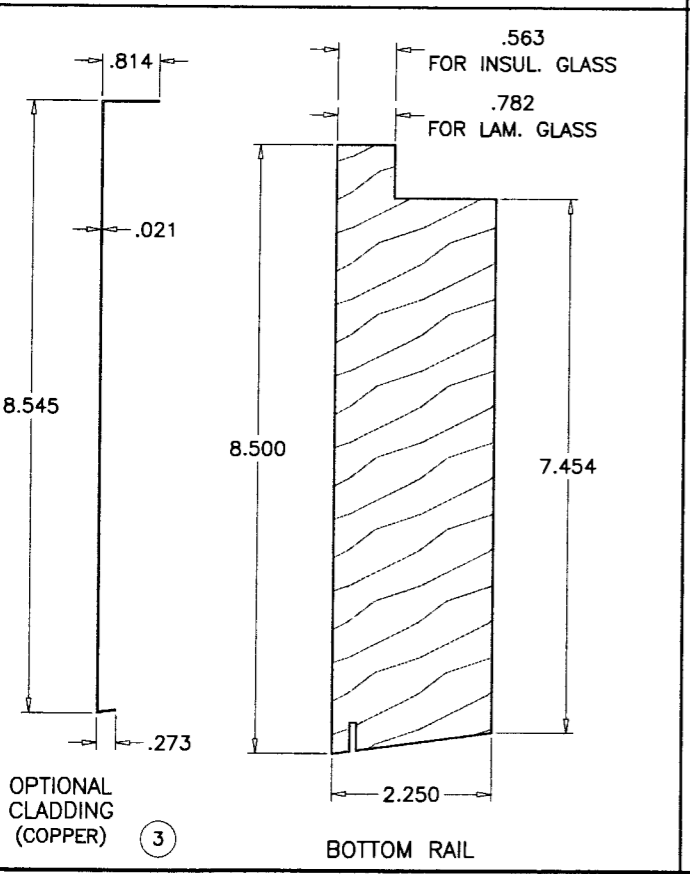
2A TOP RAIL/HINGE STILE/LOCK STILE



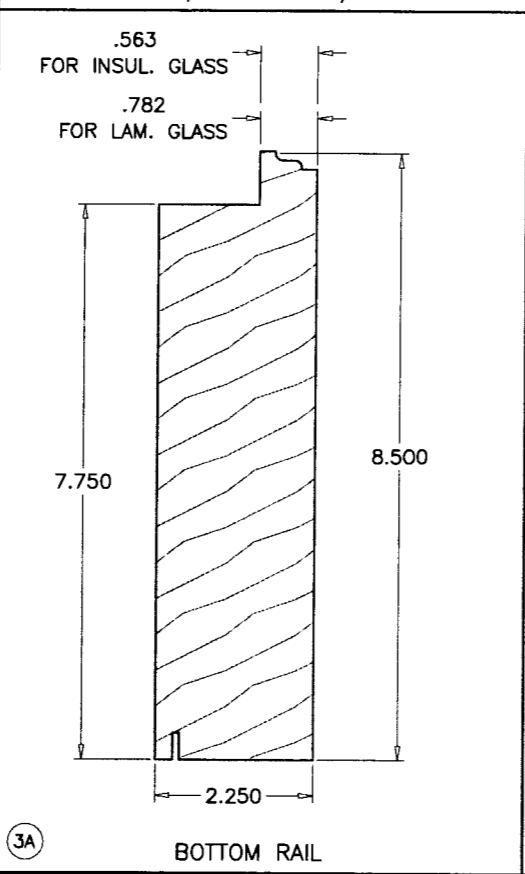
4A INACTIVE LEAF MTG. STILE



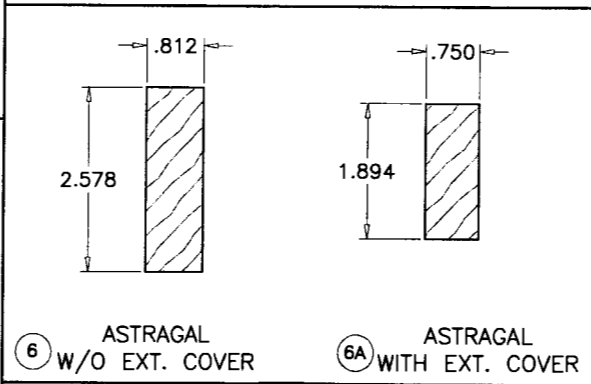
5A ACTIVE LEAF MTG. STILE



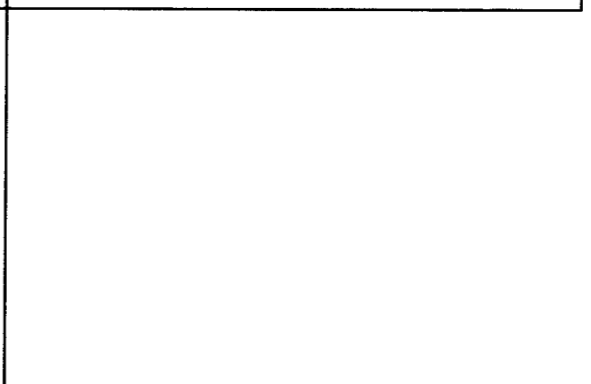
3 BOTTOM RAIL



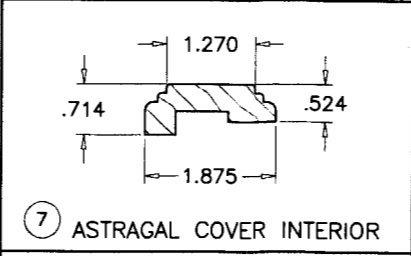
3A BOTTOM RAIL



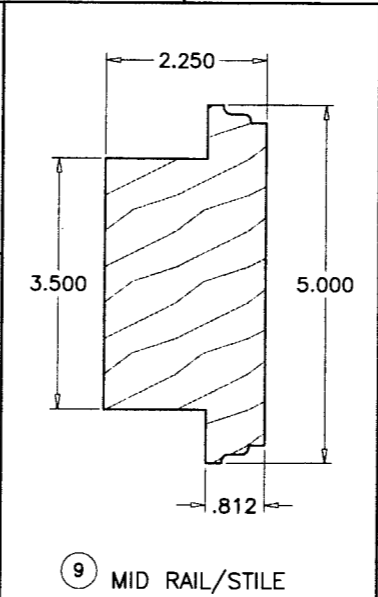
6 ASTRAGAL
W/O EXT. COVER



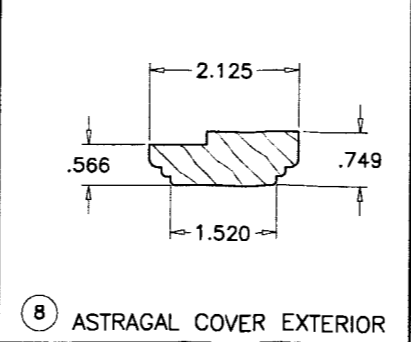
6A ASTRAGAL
WITH EXT. COVER



7 ASTRAGAL COVER INTERIOR



9 MID RAIL/STILE



8 ASTRAGAL COVER EXTERIOR

Engr: DR. HUMAYOUN FAROOQ
STRUCTURES
FLA. PE # 16557
C.A.N. 3538
SEP 10 2008

Approved as complying with the
Florida Building Code
Date OCT 23, 2008
NOA# 68-0603-05
Miami Dade Product Control
Division
By Shayl. Clarke

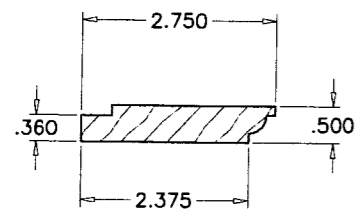
af c
AL-FAROOQ CORPORATION
ENGINEERS & PRODUCT DEVELOPMENT
1235 S.W. 87 AVE
MIAMI, FLORIDA 33174
TEL. (305) 264-8100 FAX. (305) 262-6978
COMP-ANL\W08-38HWD

AMERICAN OUTSWING WOOD PATIO DOOR (L.M.I.)
HARTMAN WINDOWS & DOORS, LLC
531 SOUTHERN BLVD.
WEST PALM BEACH, FL 33405
TEL. (561) 296-9800 FAX. (561) 296-9601

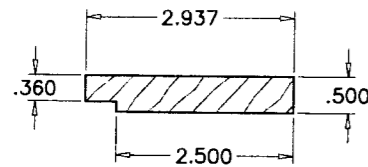
no.	date	by	description	REV. PER	COMMENTS
A	07.08.08				

date: 04-28-08
scale: 3/8" = 1"
dr. by: HAMID
chk. by:

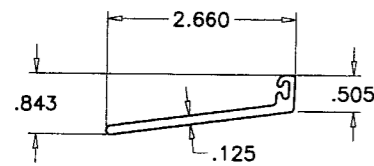
drawing no.
W08-38
sheet 8 of 10



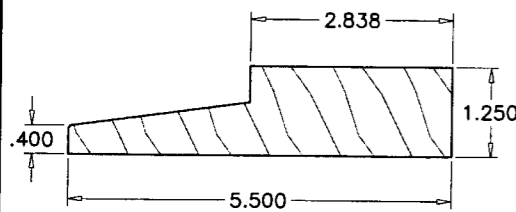
11 DOOR STOP HEAD/JAMB



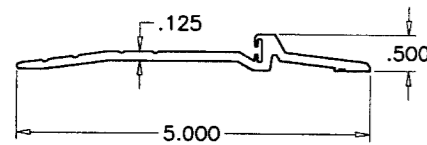
12 DOOR STOP SILL



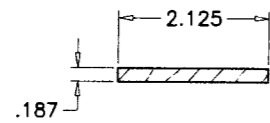
13 THRESHOLD



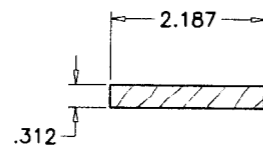
14 FRAME SILL



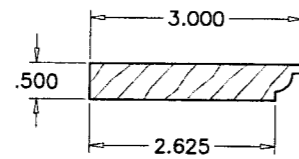
15 THRESHOLD (ADA DOOR)



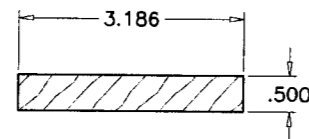
16 FIX. LEAF FILLER (HEAD)



17 FIX. LEAF FILLER (SILL)



18 FIX. LEAF STOP (HEAD/JAMB)



19 FIX. LEAF STOP (SILL)

ITEM #	PART #	REQD.	DESCRIPTION	MATERIAL	MANF./SUPPLIER/REMARKS
1	-	3/ DOOR	FRAME HEAD/JAMB W/ CLADDING	WOOD	MAHOGANY
1A	-	3/ DOOR	FRAME HEAD/JAMB W/O CLADDING	WOOD	MAHOGANY
2	-	2/ LEAF	TOP RAIL/HINGE STILE/LOCK STILE W/ CLADDING	WOOD	MAHOGANY
2A	-	2/ LEAF	TOP RAIL/HINGE STILE/LOCK STILE W/O CLADDING	WOOD	MAHOGANY
3	-	1/ LEAF	BOTTOM RAIL W/ CLADDING	WOOD	MAHOGANY
3A	-	1/ LEAF	BOTTOM RAIL W/O CLADDING	WOOD	MAHOGANY
4	-	1/ LEAF	INACTIVE LEAF MTG. STILE W/ CLADDING	WOOD	MAHOGANY
4A	-	1/ LEAF	INACTIVE LEAF MTG. STILE W/O CLADDING	WOOD	MAHOGANY
5	-	1/ LEAF	ACTIVE LEAF MTG. STILE W/ CLADDING	WOOD	MAHOGANY
5A	-	1/ LEAF	ACTIVE LEAF MTG. STILE W/O CLADDING	WOOD	MAHOGANY
6	-	1/ LEAF	ASTRAGAL WITHOUT EXT. COVER	WOOD	MAHOGANY
6A	-	1/ LEAF	ASTRAGAL WITH EXT. COVER	WOOD	MAHOGANY
7	-	1	ASTRAGAL COVER INTERIOR	WOOD	MAHOGANY
8	-	AS REQD.	ASTRAGAL COVER EXTERIOR	WOOD	MAHOGANY
9	-	AS REQD.	MID RAIL/STILE	WOOD	MAHOGANY
10	-	AS REQD.	GLAZING STOP	WOOD	MAHOGANY
11	-	3/ DOOR	DOOR STOP (HEAD/JAMB)	WOOD	MAHOGANY
12	-	1/ DOOR	DOOR STOP (SILL)	WOOD	MAHOGANY
13	-	1/ DOOR	THRESHOLD	BRONZE	-
14	-	1/ DOOR	FRAME SILL	WOOD	MAHOGANY
15	-	1/ DOOR	THRESHOLD (ADA DOOR)	BRONZE	-
16	-	AS REQD.	FIX. LEAF FILLER (HEAD)	WOOD	MAHOGANY
17	-	AS REQD.	FIX. LEAF FILLER (SILL)	WOOD	MAHOGANY
18	-	AS REQD.	FIX. LEAF STOP (HEAD/JAMB)	WOOD	MAHOGANY
19	-	AS REQD.	FIX. LEAF STOP (SILL)	WOOD	MAHOGANY
20	QDS-650	AS REQD.	Q-LON WEATHERSEAL GASKET	-	SCHLEGEL
21	QDS-320	AS REQD.	Q-LON WEATHERSEAL GASKET	-	SCHLEGEL
22	LRB-097	AS REQD.	THRESHOLD W'STRIPPING	VINYL	-
23	KP-51	AS REQD.	KERF PILE WEATHERSEAL	-	-
24	QDS-375	AS REQD.	Q-LON WEATHERSEAL GASKET	-	SCHLEGEL
25	QDS-500	AS REQD.	Q-LON WEATHERSEAL GASKET	-	SCHLEGEL
26	-	AS REQD.	18 GA. X 1-1/2" BRAD NAILS	-	2" FROM ENDS & 12" O.C.
27	-	AS REQD.	18 GA. X 1-1/2" BRAD NAILS IN DOUBLE ROW	-	3" FROM ENDS & 8" O.C.
28	-	AS REQD.	18 GA. X 1-1/2" BRAD NAILS	-	3" FROM ENDS & 8" O.C.
29	#10 X 3"	AS REQD.	FH WOOD SCREWS	-	3" FROM ENDS & 8" O.C.

SEE SHEET 3 FOR LOCK AND FLUSH BOLT DESCRIPTION

Approved as complying with the Florida Building Code
 Date 06/23/2008
 NOA# 05-0603-01
 Miami Dade Product Control
 Division
 By Isaac J. Lhanda

Engr: DR. HUMAYOON FAROOQ
 STRUCTURES
 FLA. PE # 16557
 C.A.N. 3538

SEP 10 2008

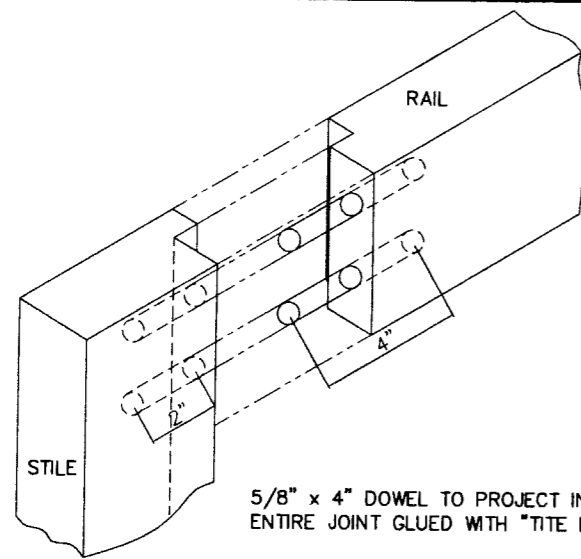
AL-FAROOQ CORPORATION
 ENGINEERS & PRODUCT DEVELOPMENT
 1235 S.W. 87 AVE
 MIAMI, FLORIDA 33174
 TEL. (305) 264-8100 FAX. (305) 262-6978
 COMP-ANL\W08-38HWD

AMERICAN OUTSWING WOOD PATIO DOOR (L.M.I.)
HARTMAN WINDOWS & DOORS, LLC
 531 SOUTHERN BLVD.
 WEST PALM BEACH, FL 33405
 TEL. (561) 296-9800 FAX. (561) 296-9601

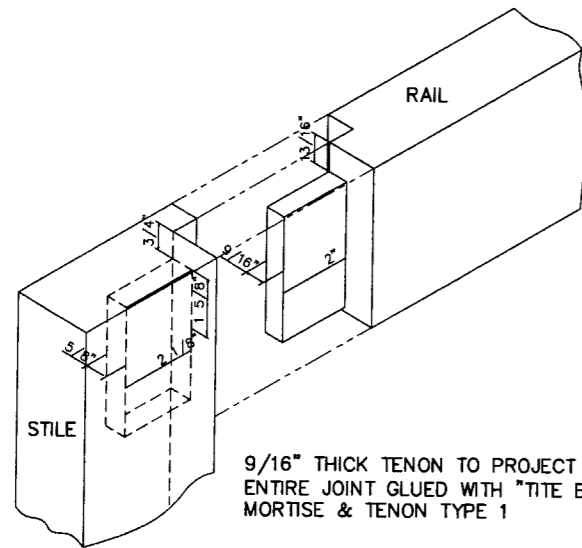
no	date	description	REV. PER	BCCO	COMMENTS
A	07.08.08				

date: 04-28-08
 scale: 3/8" = 1"
 dr. by: HAMID
 chk. by:

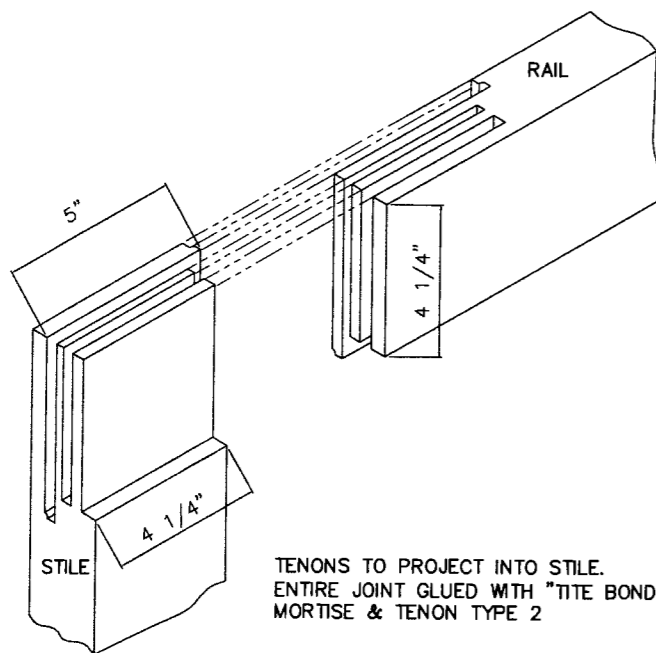
drawing no.
W08-38
 sheet 9 of 10



5/8" x 4" DOWEL TO PROJECT INTO STILE.
ENTIRE JOINT GLUED WITH "TITE BOND".

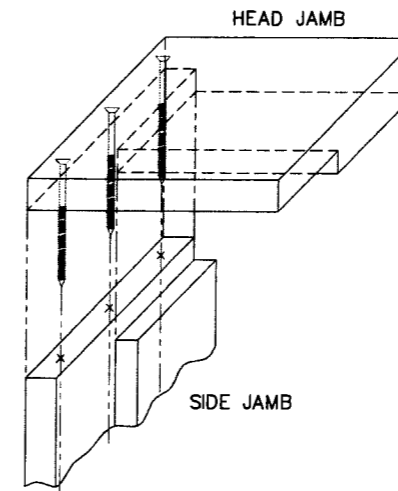


9/16" THICK TENON TO PROJECT INTO STILE.
ENTIRE JOINT GLUED WITH "TITE BOND"
MORTISE & TENON TYPE 1

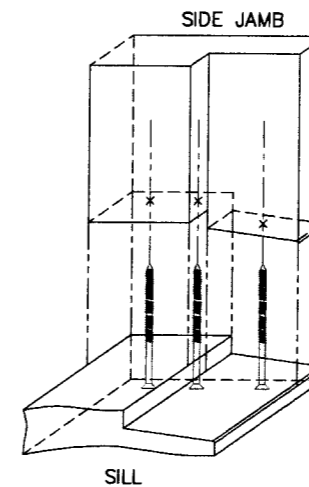


TENONS TO PROJECT INTO STILE.
ENTIRE JOINT GLUED WITH "TITE BOND"
MORTISE & TENON TYPE 2

PANEL CORNER DETAILS



FRAME CORNERS HAVE HALF LAP JOINT
TYPICAL AT HEAD AND SILL
WITH (3) #12 x 3 1/2" SS SCREWS AND
GLUED WITH NP1 POLYURETHANE SEALANT.



FRAME CORNER DETAILS

Approved as complying with the
Florida Building Code
Date 06/23/2008
NOA# 08-0603-05
Miami Dade Product Control
Division
By Khag I. Lhanda

Engr: DR. HUMAYOON FAROOQ
STRUCTURES
FLA. PE # 16557
C.A.N. 3538

SEP 10 2008

afc

AL-FAROOQ CORPORATION
ENGINEERS & PRODUCT DEVELOPMENT
1235 S.W. 87 AVE
MIAMI, FLORIDA 33174
TEL. (305) 264-8100 FAX. (305) 262-6978

COMP-ANL\W08-38HWD

AMERICAN OUTSWING WOOD PATIO DOOR (L.M.I.)
HARTMAN WINDOWS & DOORS, LLC
531 SOUTHERN BLVD.
WEST PALM BEACH, FL 33405
TEL. (561) 296-9600 FAX. (561) 296-9601

no	date	description	REV. PER	BCCO	COMMENTS
A	07.08.08				

date: 04-28-08	scale: 3/8" = 1"	dr. by: HAMID	chk. by:
----------------	------------------	---------------	----------

drawing no.
W08-38

sheet 10 of 10