



BUILDING AND NEIGHBORHOOD COMPLIANCE DEPARTMENT (BNC)  
BOARD AND CODE ADMINISTRATION DIVISION

MIAMI-DADE COUNTY  
PRODUCT CONTROL SECTION  
11805 SW 26 Street, Room 208  
Miami, Florida 33175-2474  
T (786) 315-2590 F (786) 315-2599

[www.miamidade.gov/building/home/asp](http://www.miamidade.gov/building/home/asp)

## NOTICE OF ACCEPTANCE (NOA)

**Alutech Corporation**  
8548 NW 64 Street  
Miami, FL 33166

### SCOPE:

This NOA is being issued under the applicable rules and regulations governing the use of construction materials. The documentation submitted has been reviewed and accepted by Miami-Dade County BNC -Product Control Section to be used in Miami Dade County and other areas where allowed by the Authority Having Jurisdiction (AHJ).

This NOA shall not be valid after the expiration date stated below. The Miami-Dade County Product Control Section (In Miami Dade County) and/or the AHJ (in areas other than Miami Dade County) reserve the right to have this product or material tested for quality assurance purposes. If this product or material fails to perform in the accepted manner, the manufacturer will incur the expense of such testing and the AHJ may immediately revoke, modify, or suspend the use of such product or material within their jurisdiction. BNC reserves the right to revoke this acceptance, if it is determined by Miami-Dade County Product Control Section that this product or material fails to meet the requirements of the applicable building code.

This product is approved as described herein, and has been designed to comply with the Florida Building Code, including the High Velocity Hurricane Zone.

### DESCRIPTION: Series 2001 Flush Single Outswing Aluminum Door – L.M.I.

**APPROVAL DOCUMENT:** Drawing No. 11-088, titled "Series 2001 Flush Single Outswing Aluminum Insulated Commercial Door", sheets 1, 1A, 2 through 7 of 7, dated 09/13/11, prepared by TILTECO, signed and sealed by Walter A. Tillit Jr., P.E., bearing the Miami-Dade County Product Control Renewal stamp with the Notice of Acceptance number and expiration date by the Miami-Dade County Product Control Section.

### MISSILE IMPACT RATING: Large and Small Missile Impact Resistant

#### Limitation:

1. 1x or 2x wood bucks, by others to be properly secured to withstand imposed wind loads.
2. See Dwg. sheet 3 for frame Jamb anchor types & schedule and Jamb anchor spacing "S" in sheet 5. Minimum three (3) anchors at sill are required.

**LABELING:** Each unit shall bear a permanent label with the manufacturer's name or logo, city, state and series and following statement: "Miami-Dade County Product Control Approved", unless otherwise noted herein.

**RENEWAL** of this NOA shall be considered after a renewal application has been filed and there has been no change in the applicable building code negatively affecting the performance of this product.

**TERMINATION** of this NOA will occur after the expiration date or if there has been a revision or change in the materials, use, and/or manufacture of the product or process. Misuse of this NOA as an endorsement of any product, for sales, advertising or any other purposes shall automatically terminate this NOA. Failure to comply with any section of this NOA shall be cause for termination and removal of NOA.

**ADVERTISEMENT:** The NOA number preceded by the words Miami-Dade County, Florida, and followed by the expiration date may be displayed in advertising literature. If any portion of the NOA is displayed, then it shall be done in its entirety.

**INSPECTION:** A copy of this entire NOA shall be provided to the user by the manufacturer or its distributors and shall be available for inspection at the job site at the request of the Building Official.

This NOA renews # 06-0613.08 and consists of this page 1 and evidence pages E-1, as well as approval document mentioned above.

The submitted documentation was reviewed by **Ishaq I. Chanda, P.E.**



7/29/11

NOA No 11-0715.03  
Expiration Date: July 19, 2012  
Approval Date: October 06, 2011  
Page 1

**NOTICE OF ACCEPTANCE: EVIDENCE SUBMITTED**

**A. DRAWINGS**

1. Manufacturer's die drawings and sections (Original in file # **06-0613.08**)
2. Drawing No. **11-088**, titled "Series 2001 Flush Single Outswing Aluminum Insulated Commercial Door", sheets 1, 1A, 2 through 7 of 7, dated 09/13/11, prepared by TILTECO., signed and sealed by Walter A. Tillit Jr., P.E.

**B. TESTS (Original in file # 06-0613.08)**

1. Test reports on 1) Air Infiltration Test, per FBC, TAS 202-94
  - 2) Uniform Static Air Pressure Test, Loading per FBC TAS 202-94
  - 3) Water Resistance Test, per FBC, TAS 202-94
  - 4) Large Missile Impact Test per FBC, TAS 201-94
  - 5) Cyclic Wind Pressure Loading per FBC, TAS 203-94
  - 6) Forced Entry Test, per FBC 2411 3.2.1, TAS 202-94

along with marked-up drawings and installation diagram of a flush single outswing aluminum door, prepared by Hurricane Engineering & Testing Inc., Test Report No. **HETI-00-939 & HETI-00-940**, dated 10/05/00 and 11/01/00 and **HETI-95-1046, HETI-95-427 & HETI-95-427F**, dated 11/30/95, 12/06/95 and 11/30/95 respectively, all signed and sealed by Hector M. Medina, P.E.

(Note: Original test conducted per SFBC PA 201, 20 & 203-94, now known as FBC TAS 201, 202 & 203-94)

**C. CALCULATIONS (Original in file # 06-0613.08)**

1. Anchor Calculations structural analysis and comparative analysis, prepared by TILTECO, Inc., dated 05/24/06, signed and sealed by Walter A. Tillit, Jr., P.E.
2. Statement letter of compliance to FBC 2007, dated 09/13/11 issued by Tilteco Inc., signed and sealed by Walter A. Tillit Jr., P.E.

**D. QUALITY ASSURANCE**

1. Miami Dade Building and Neighborhood Compliance Department (BNC).

**E. MATERIAL CERTIFICATIONS**

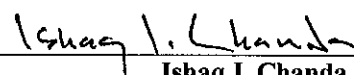
1. Notice of Acceptance No. **07-1107.08** issued to Dyplast Product, LLC (Former Apache Products Co.) for "EPS-Expanded Polystyrene Insulation", expiring on 01/11/12.

**F. STATEMENTS**

1. Statement letter of compliance to FBC 2007 and "No financial interest", both dated 09/13/11 issued by Tilteco Inc., signed and sealed by Walter A. Tillit Jr., P.E.
2. Statement of lab compliance, as part of the test report.
3. Statement letter dated July 12, 2011, issued by Hurricane Engineering & Testing Inc. of upcoming schedule re-test, signed by Dr. Nasreen K. Ali.

**G. OTHER**

1. This NOA renews # **06-0613.08**, expired on July 19, 2011.
2. One year conditional approval, subjected to successful re-test.



Ishaq I. Chanda, P.E.  
Product Control Examiner  
NOA No 11-0715.03

Expiration Date: July 19, 2012  
Approval Date: October 06, 2011

**GENERAL NOTES AND SPECIFICATIONS:**

1. SERIES 2001 FLUSH SINGLE OUTSWING ALUMINUM INSULATED COMMERCIAL DOOR-IMPACT WITH 0.040", 0.063", OR 0.090" ALUMINUM FACE SHEET AND FR575 OR FR450S ALUMINUM FRAME SHOWN ON THIS PRODUCT APPROVAL DOCUMENT (P. A. D.) HAS BEEN VERIFIED FOR CODE COMPLIANCE IN ACCORDANCE WITH THE 2007 EDITION OF THE FLORIDA BUILDING CODE. DOOR MAY BE INSTALLED AT HIGH VELOCITY HURRICANE ZONES. DESIGN WIND LOADS SHALL BE DETERMINED AS PER SECTION 1620 OF THE ABOVE MENTIONED CODE. THIS DOOR'S ADEQUACY FOR WIND AND IMPACT LOAD HAS BEEN VERIFIED IN ACCORDANCE WITH SECTION 1626 OF THE ABOVE MENTIONED CODE AS PER PROTOCOLS TAS-201, TAS-202, TAS-203 AS PER HETI LAB REPORT #HETI-00-939 AND AS PER SUBMITTED STRUCTURAL CALCULATIONS, PERFORMED AS PER SECTION 1612 OF THE FLORIDA BUILDING CODE.

2. SEE MAXIMUM DESIGN PRESSURE RATING AND WATER INFILTRATION REQUIREMENTS ON SHEET 1A.

3. ALL COMPONENTS SHALL BE AS SPECIFIED ON APPLICABLE DETAIL SHEETS AND AT BILL OF MATERIALS (SHEET 1A) OF THIS DRAWING.

4. COMPLIANCE OF EGRESS / ESCAPE REQUIREMENTS OF THESE DOORS PER F.B.C. TO BE DETERMINED BY BUILDING OFFICIALS ON A CASE-BY-CASE BASIS.

5. ALL SCREWS USED FOR ASSEMBLY CONNECTIONS (METAL TO METAL) TO BE STAINLESS STEEL 304 OR 316 AISI SERIES.

6. ALL ANCHORS FOR DOOR FRAME CONNECTIONS TO EXISTING STRUCTURE SHALL BE AS SPECIFIED ON SHEET 3 OF THIS DRAWING. SEE ELEVATIONS ON SHEET 5.

7. PROVIDE 1/4" MAX. BEARING SHIM SPACE.

8. THIS DOOR WILL NOT REQUIRE A HURRICANE PROTECTION DEVICE.

9. PROVIDE SPECIFIED SEALANT AT ALL DOOR FRAME AND THRESHOLD JOINT WITH EXISTING STRUCTURE.

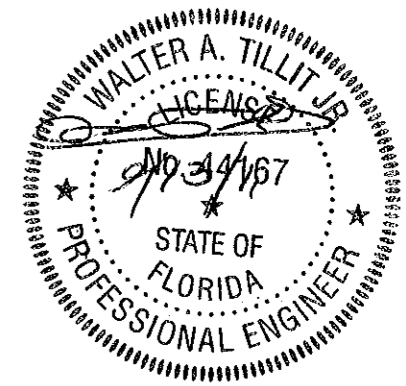
10. (a) THIS PRODUCT APPROVAL DOCUMENT (P.A.D.) PREPARED BY THIS ENGINEER IS GENERIC AND DOES NOT PROVIDE INFORMATION FOR A SITE SPECIFIC PROJECT; I.e. WHERE THE SITE CONDITIONS DEVIATE FROM THE P.A.D.

(b) CONTRACTOR TO BE RESPONSIBLE FOR THE SELECTION, PURCHASE AND INSTALLATION INCLUDING LIFE SAFETY OF THIS PRODUCT, BASED ON THIS P.A.D., PROVIDED HE/SHE DOES NOT DEVIATE FROM THE CONDITIONS DETAILED ON THIS DOCUMENT. CONSTRUCTION SAFETY AT SITE IS THE CONTRACTOR'S RESPONSIBILITY.

(c) THIS PRODUCT APPROVAL DOCUMENT (P.A.D.) WILL BE CONSIDERED INVALID IF ALTERED BY ANY MEANS.

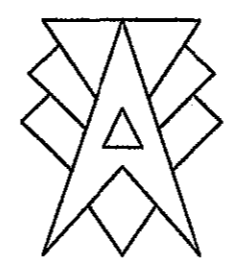
(d) ORIGINAL P.A.D. SHALL BEAR THE DATE, SEAL AND SIGNATURE OF THE PROFESSIONAL ENGINEER OF RECORD THAT PREPARED IT.

11. DOOR'S MANUFACTURER LABEL SHALL BE PLACED ON A READILY VISIBLE LOCATION. ONE LABEL SHALL BE PLACED FOR EVERY OPENING. LABEL SHALL READ AS FOLLOWS:  
ALUTECH CORPORATION  
MIAMI, FLORIDA  
MIAMI-DADE COUNTY PRODUCT CONTROL APPROVED.



**TILECO INC.**  
TILLIT TESTING & ENGINEERING COMPANY  
6355 N.W. 36th St., Ste. 305, VIRGINIA GARDENS, FLORIDA 33166  
Phone: (305)871-1530 • Fax: (305)871-1531  
e-mail: tileco@aol.com  
EE-0008719  
WALTER A. TILLIT JR., P. E.  
FLORIDA Lic. # 44187

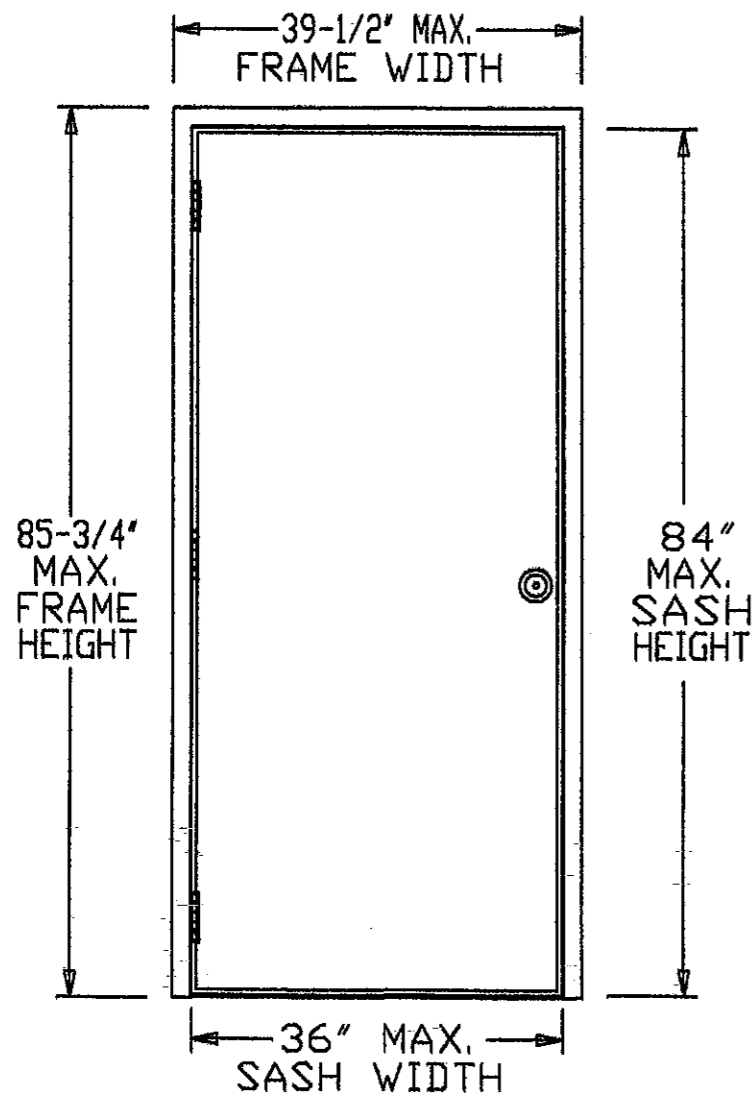
**PRODUCT RENEWED**  
as complying with the Florida  
Building Code  
Acceptance No. 11-0715-03  
Expiration Date OCT 06, 2011  
By: Ishan Chandra  
Miami Dade Product Control



ALUTECH CORPORATION  
8548 NW 64th STREET  
MIAMI, FL 33166  
PH: 305/593-2080  
FAX: 305/591-8481

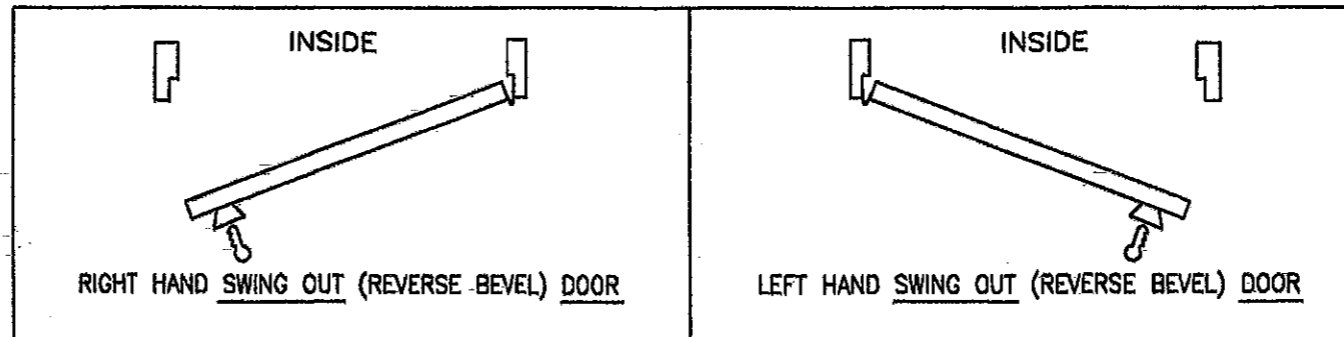
SERIES 2001 FLUSH SINGLE OUTSWING ALUMINUM INSULATED COMMERCIAL DOOR-IMPACT WITH 0.040", 0.063", OR 0.090" ALUMINUM FACE SHEET AND FR575 OR FR450S ALUMINUM FRAME.  
REV: 09/13/11

DATE: 12/15/95	DRAWN BY: SARDA/AG
DWG No.: 11-088	SHEET No.: 1 OF 7

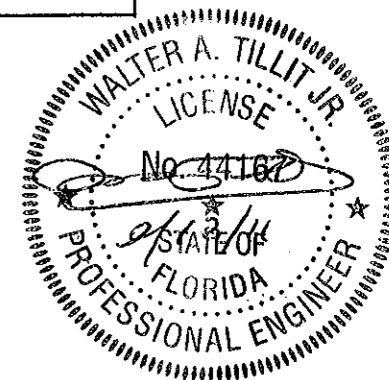


(X) EXTERIOR ELEVATION  
(SEE SHEETS 4 THRU 7 FOR SPECS & DETAILS)

DESIGN PRESSURE RATING		
	WHERE WATER INFILTRATION REQUIREMENT IS NEEDED	WHERE WATER INFILTRATION REQUIREMENT IS NOT NEEDED
POSITIVE	+93.3 PSF	+95 PSF
NEGATIVE	-95 PSF	-95 PSF



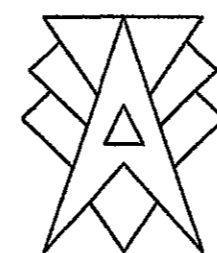
OUT-SWING DOOR



**TILTECO INC.**  
TILLIT TESTING & ENGINEERING COMPANY  
8355 N.W. 36th St., Ste. 300, VIRGINIA GARDENS, FLORIDA 33166  
Phone: (305)871-1530 • Fax: (305)871-1531  
e-mail: tilteco@aol.com  
EB-000718  
WALTER A. TILLIT JR., P. E.  
FLORIDA Lic. # 44167

**PRODUCT RENEWED**  
as complying with the Florida  
Building Code  
Acceptance No. 11-0715-03  
Expiration Date OCT 06, 2012  
By: [Signature]  
Miami Dade Product Control

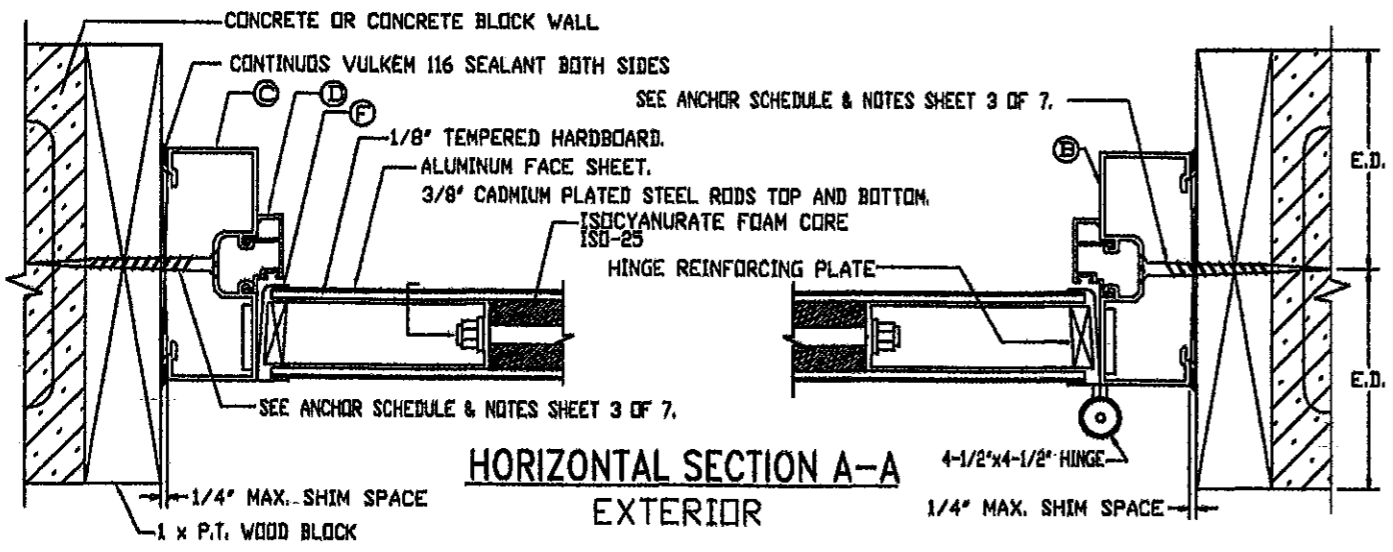
BILL OF MATERIAL FOR 3'-0" X 7'-0" DOOR	
DESCRIPTION	QTY
FLUSH ALUMINUM DOOR 35-13/16"x83-5/8"	1
ALUMINUM FRAME 39-1/2"x85-3/4"	1
WEATHERSTRIPPING SANTOPRENE	17
WALL ANCHERS	SEE SHT 3 OF 7
YALE 5407 CYLINDRICAL LOCK SERIES 1 WITH 4-7/8" STRIKE	1
HINGES 4-1/2" X 4-1/2" X .134"	3
ALUMINUM THRESHOLD 1" BUMPER TYPE 36" BY ALUTECH	1
DOOR SWEEP 36" BY ALUTECH	1



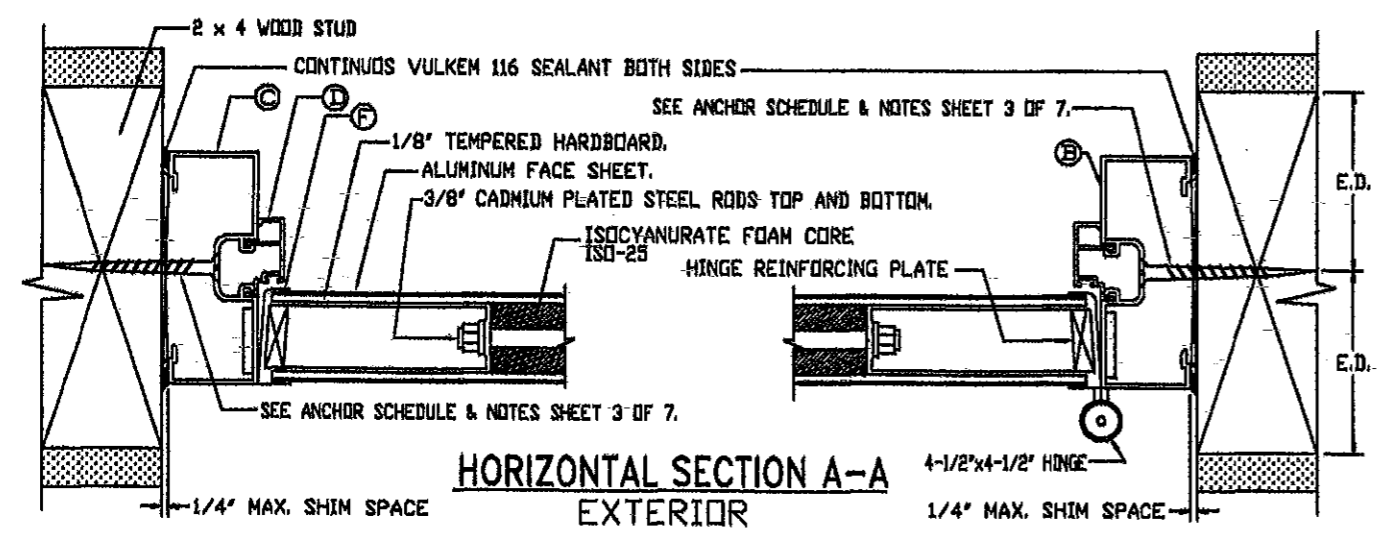
ALUTECH CORPORATION  
8548 NW 64th STREET  
MIAMI, FL 33166  
PH: 305/593-2080  
FAX: 305/591-8481

SERIES 2001 FLUSH SINGLE OUTSWING ALUMINUM INSULATED COMMERCIAL DOOR-IMPACT WITH 0.040", 0.063", OR 0.090" ALUMINUM FACE SHEET AND FR575 OR FR450S ALUMINUM FRAME.  
REV: 09/13/11

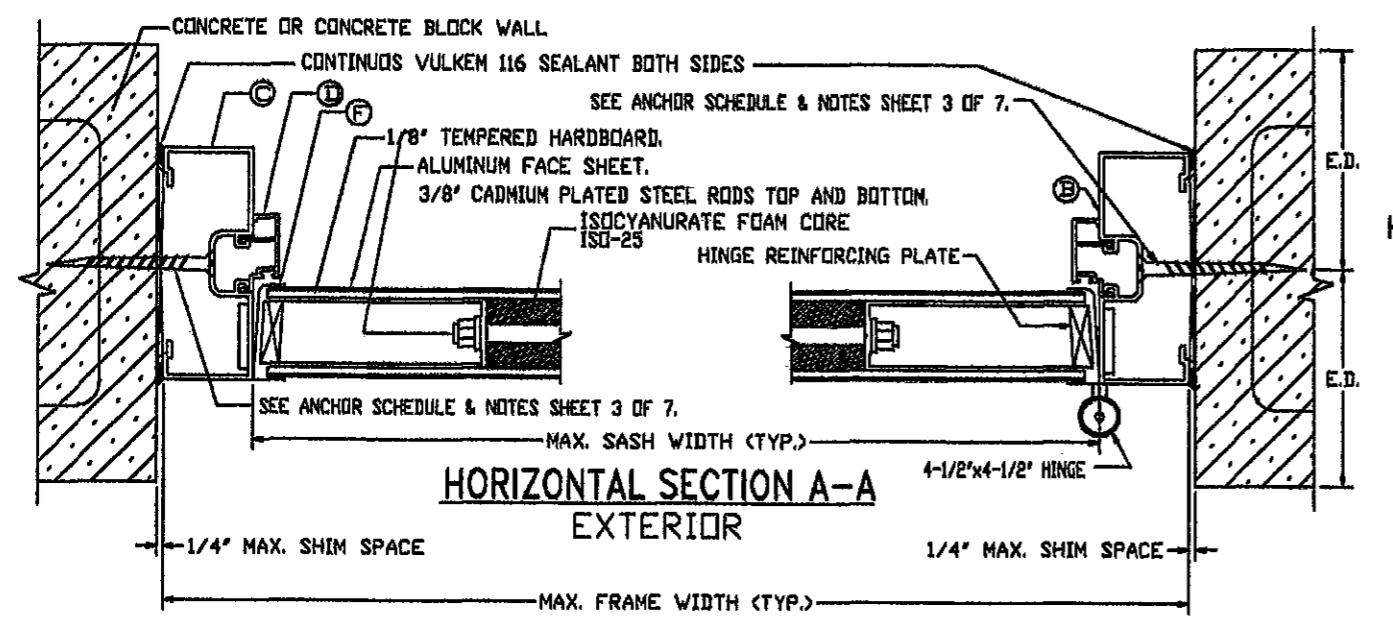
DATE: 12/15/95	DRAWN BY: PEREZ/AG
DWG No.: 11-088	SHEET No.: 1A OF 7



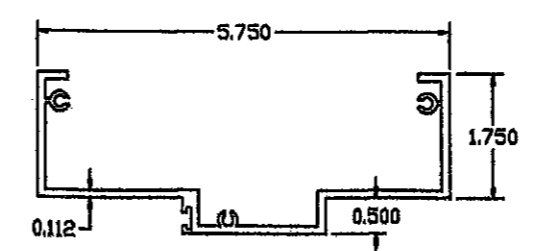
**HORIZONTAL SECTION A-A**  
EXTERIOR



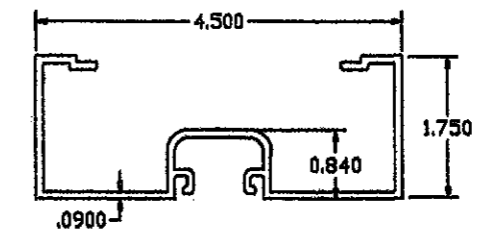
**HORIZONTAL SECTION A-A**  
EXTERIOR



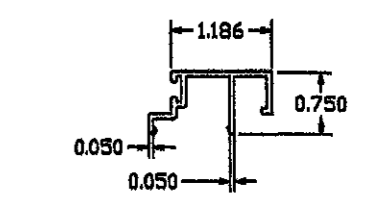
**HORIZONTAL SECTION A-A**  
EXTERIOR



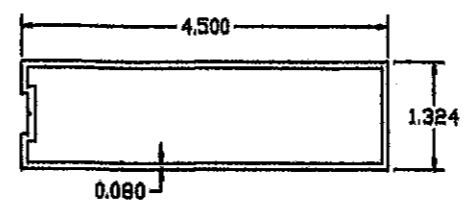
**(B) JAMB & HEADER**  
FR575



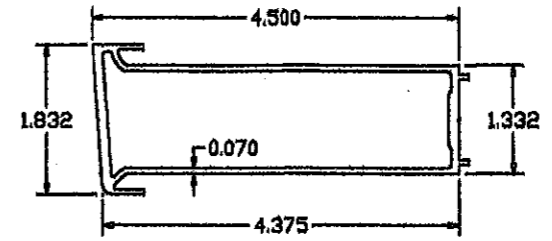
**(C) ALTERNATE JAMB & HEADER**  
FR450S



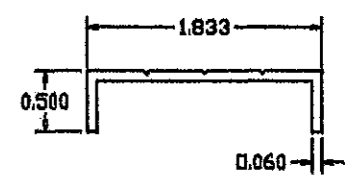
**(D) SNAP-ON DOOR STOP**



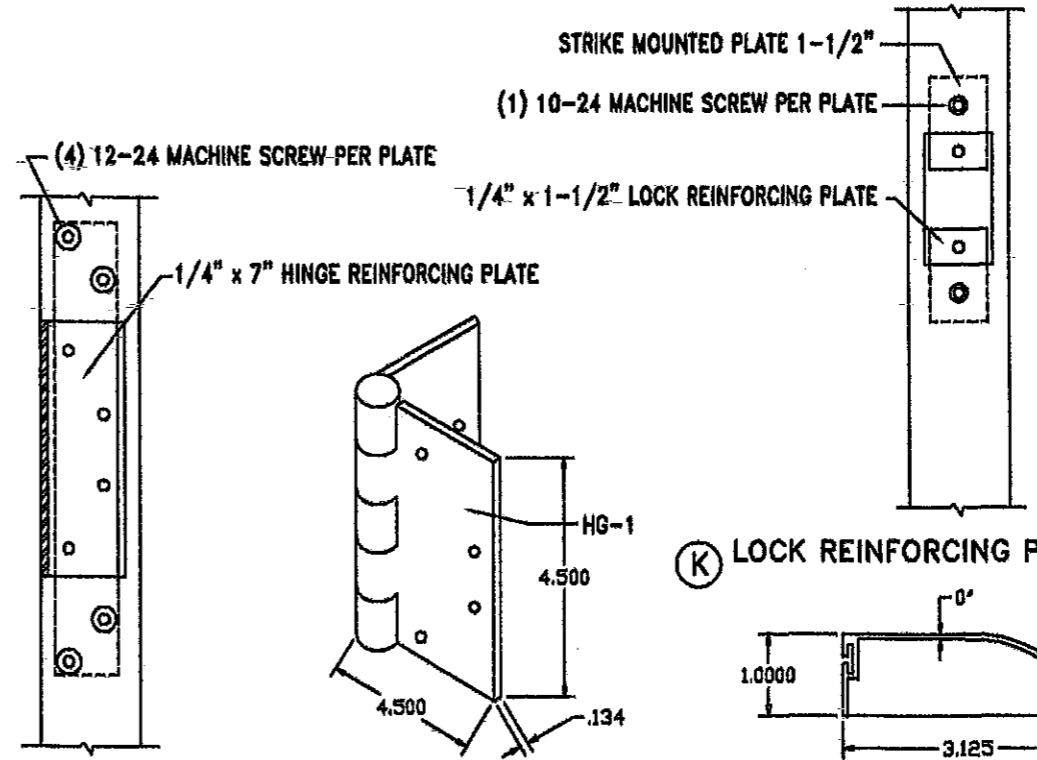
**(E) TOP AND BOTTOM RAIL**



**(F) HINGE AND LOCK STILE**



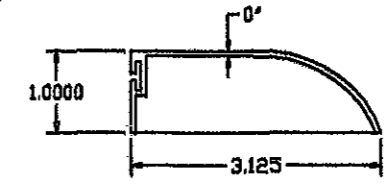
**(G) TOP AND BOTTOM TILE CAPS**



**HINGE REINFORCING PLATE**

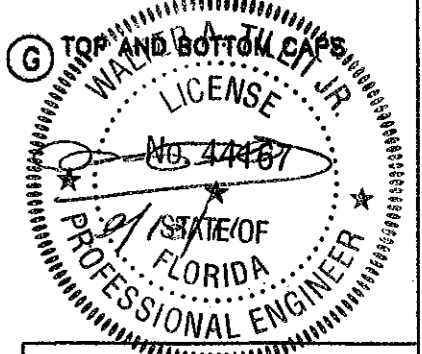
**(J) HINGE**

**(K) LOCK REINFORCING PLATE**



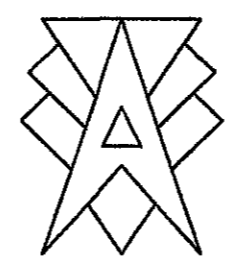
**(L) THRESHOLD**

**COMPONENTS**



**TILECO INC.**  
TILLIT TESTING & ENGINEERING COMPANY  
6365 N.W. 36th St., Ste. 303, VIRGINIA GARDENS, FLORIDA 33166  
Phone: (305)871-1530, Fax: (305)871-1531  
e-mail: tileco@aol.com  
EB-0008719  
WALTER A. TILLIT JR., P. E.  
FLORIDA Lic. # 44187

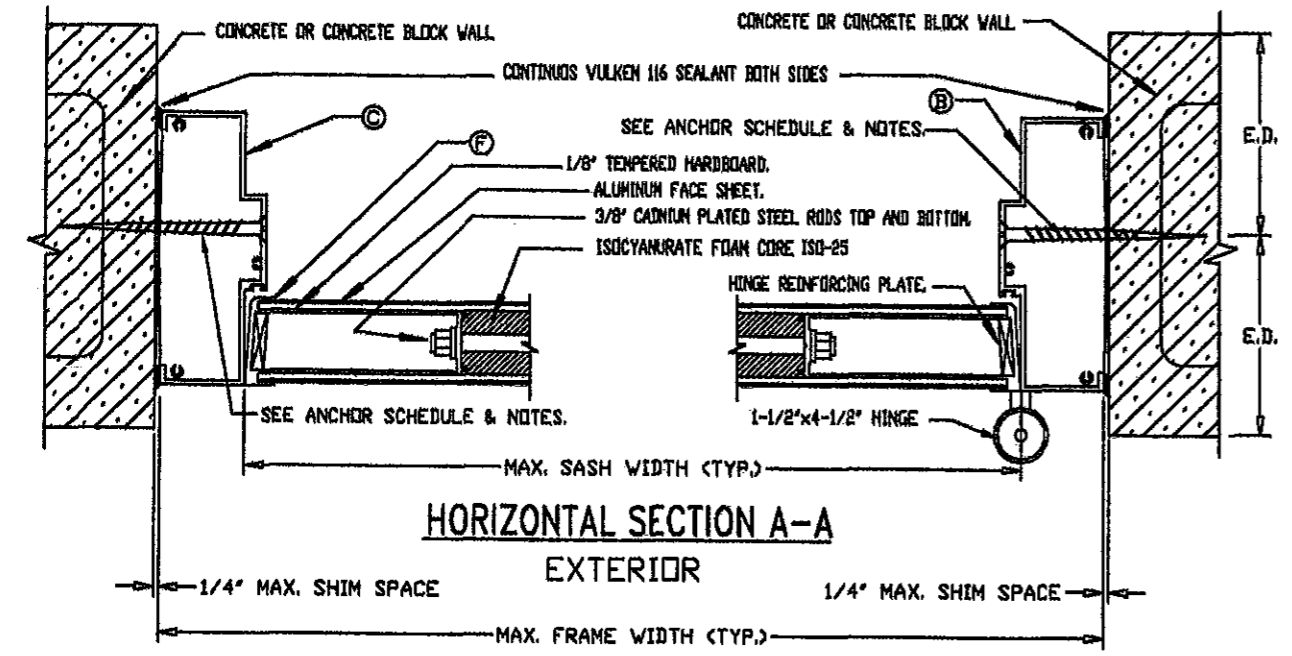
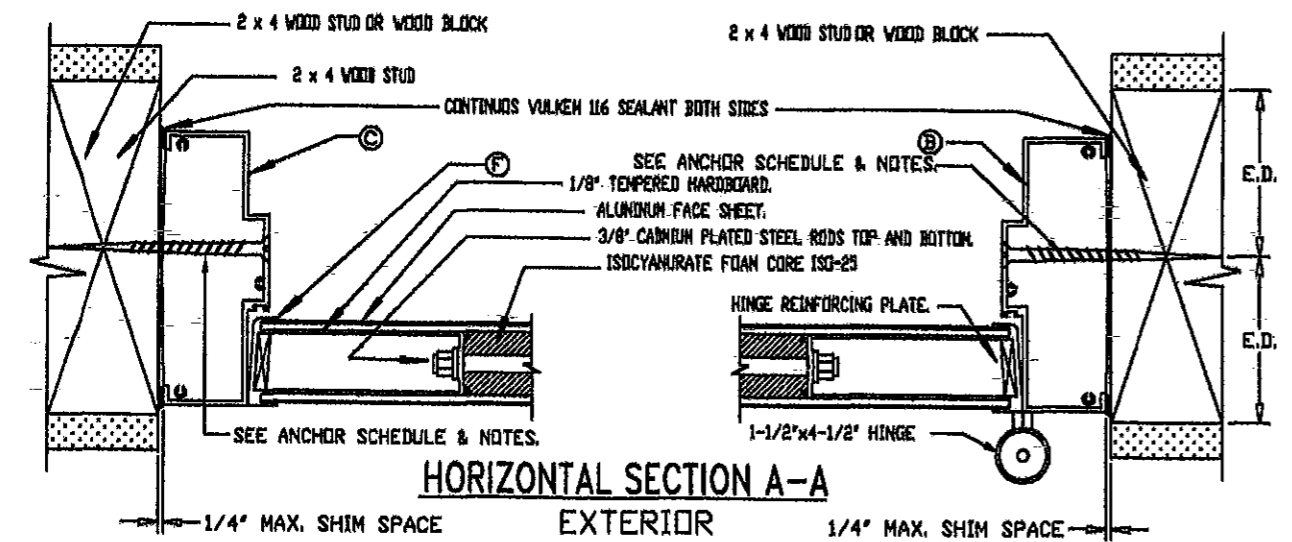
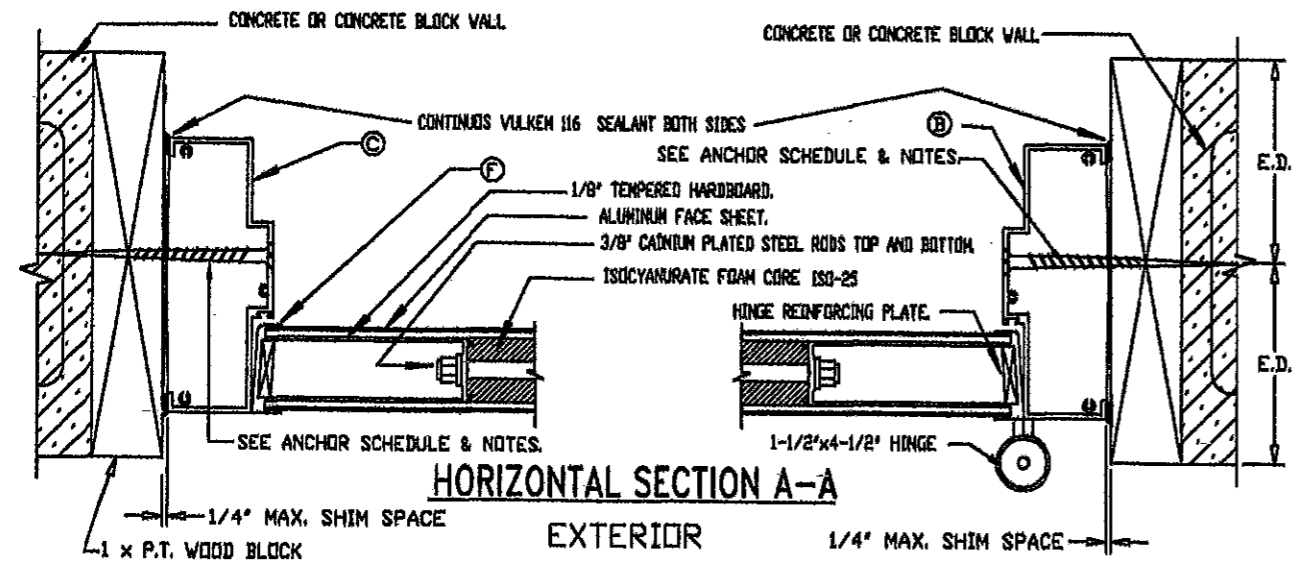
**PRODUCT RENEWED**  
as complying with the Florida  
Building Code  
Acceptance No. 11-0715.03  
Expiration Date OCT 2012  
By: *Walter A. Tillit Jr.*  
Miami Made Product Control



**ALUTECH CORPORATION**  
8548 NW 64th STREET  
MIAMI, FL 33166  
PH: 305/593-2080  
FAX: 305/591-8481

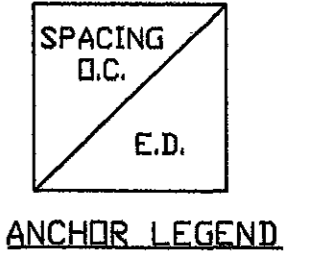
**SERIES 200I FLUSH SINGLE OUTSWING ALUMINUM**  
INSULATED COMMERCIAL DOOR-IMPACT WITH  
0.040", 0.063", OR 0.090" ALUMINUM FACE  
SHEET AND FR575 OR FR450S ALUMINUM FRAME.  
REV: 09/13/11

DATE: 12/15/95	DRAWN BY: SARDA/AG
DWG No: 11-088	SHEET No: 2 OF 7



**MAXIMUM ANCHOR SPACING ("S") AND MINIMUM E.D. SCHEDULE**

FRAME TYPE	ANCHOR TYPE				
	ELCO CONSTRUCTION PRODUCTS INC.		HILTI INC.	WOOD SCREWS	
	1/4"Ø F.H. TAPCON	5/16"Ø F.H. TAPCON	1/4"Ø F.H. KWIK-CON II	18 GAGE 5/16"Ø F.H.	24 GAGE 3/8"Ø F.H.
FR575	2 1/2"	3 1/2"	4"	3"	4 1/2"
	2 1/2"	3 1/8"	2 1/2"	1 1/4"	1 1/2"
FR450S	4 1/2"	6"	8"	5 1/2"	8"
	2 1/2"	3 1/8"	2 1/2"	1 1/4"	1 1/2"

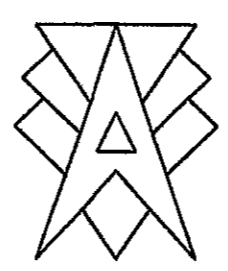


- (1) MINIMUM EMBEDMENT OF ELCO TEXTRON INC. TAPCON INTO MASONRY OR CONCRETE IS 1 1/4".
- (2) MINIMUM EMBEDMENT OF HILTI INC. KWIK-CON II ANCHORS INTO MASONRY OR CONCRETE IS 1 1/4".
- (3) MINIMUM EMBEDMENT OF WOOD SCREWS INTO WOOD IS 1 1/2".
- (4) SEE FRAME ELEVATION WITH ANCHOR SPACING AND LOCATION ON SHEET 5 OF 7.
- (5) WOOD SCREWS SHALL COMPLY WITH 2005 EDITION OF THE NATIONAL DESIGN SPECIFICATIONS.



**TILECO INC.**  
 TILLIT TESTING & ENGINEERING COMPANY  
 6365 N.W. 36th St., Ste. 305, VIRGINIA GARDENS, FLORIDA 33166  
 Phone: (305)871-1530 Fax: (305)871-1531  
 e-mail: tiltaco@aol.com  
 BR-000719  
 WALTER A. TILLIT JR., P. E.  
 FLORIDA Lic. # 44167

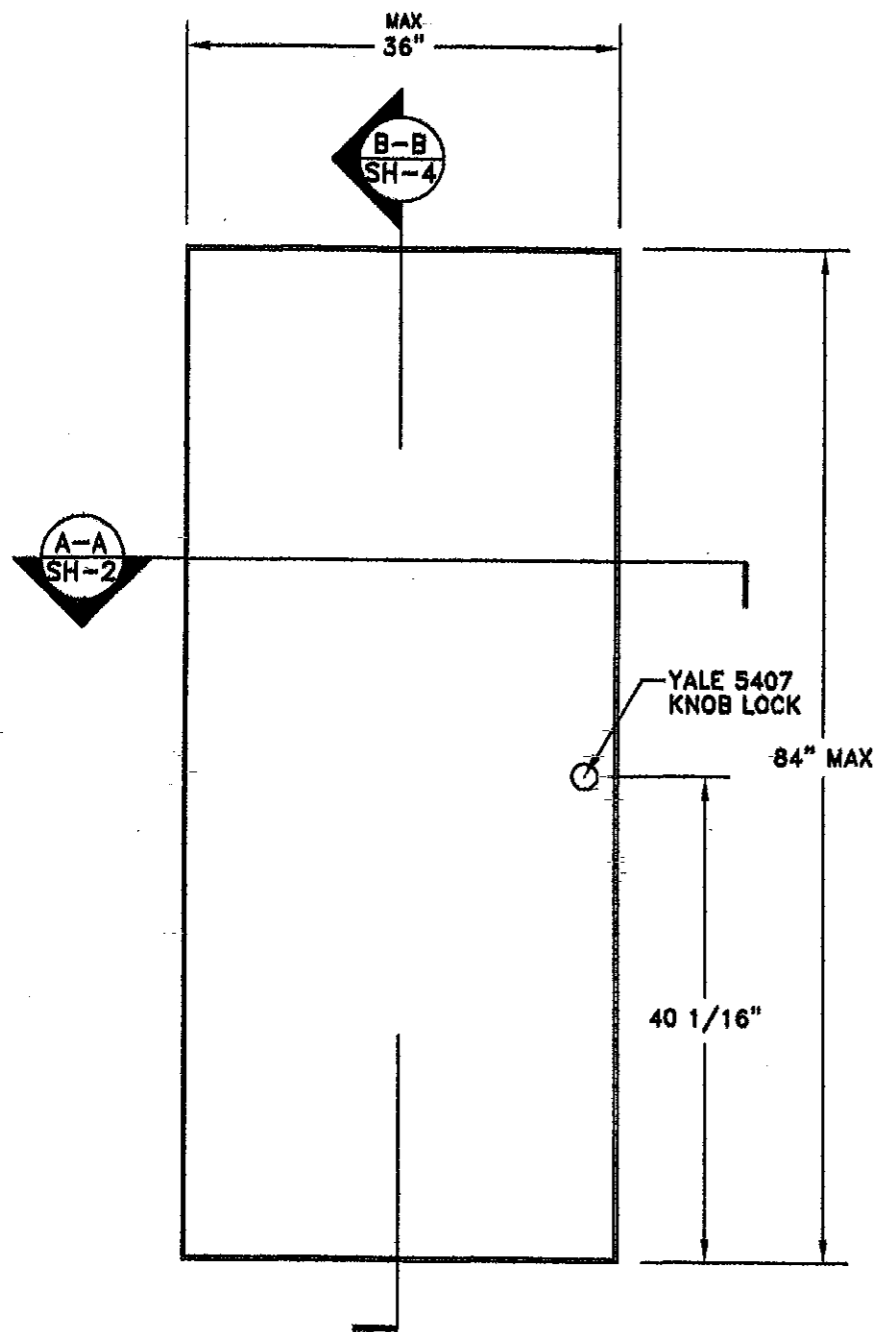
**PRODUCT REVIEWED**  
 as complying with the Florida Building Code  
 Acceptance No. 11-0715-03  
 Expiration Date: OCTOBER 2012  
 By: Ismael Chant  
 Miami Code Product Control



**ALUTECH CORPORATION**  
 8548 NW 64th STREET  
 MIAMI, FL 33166  
 PH: 305/593-2080  
 FAX: 305/591-8481

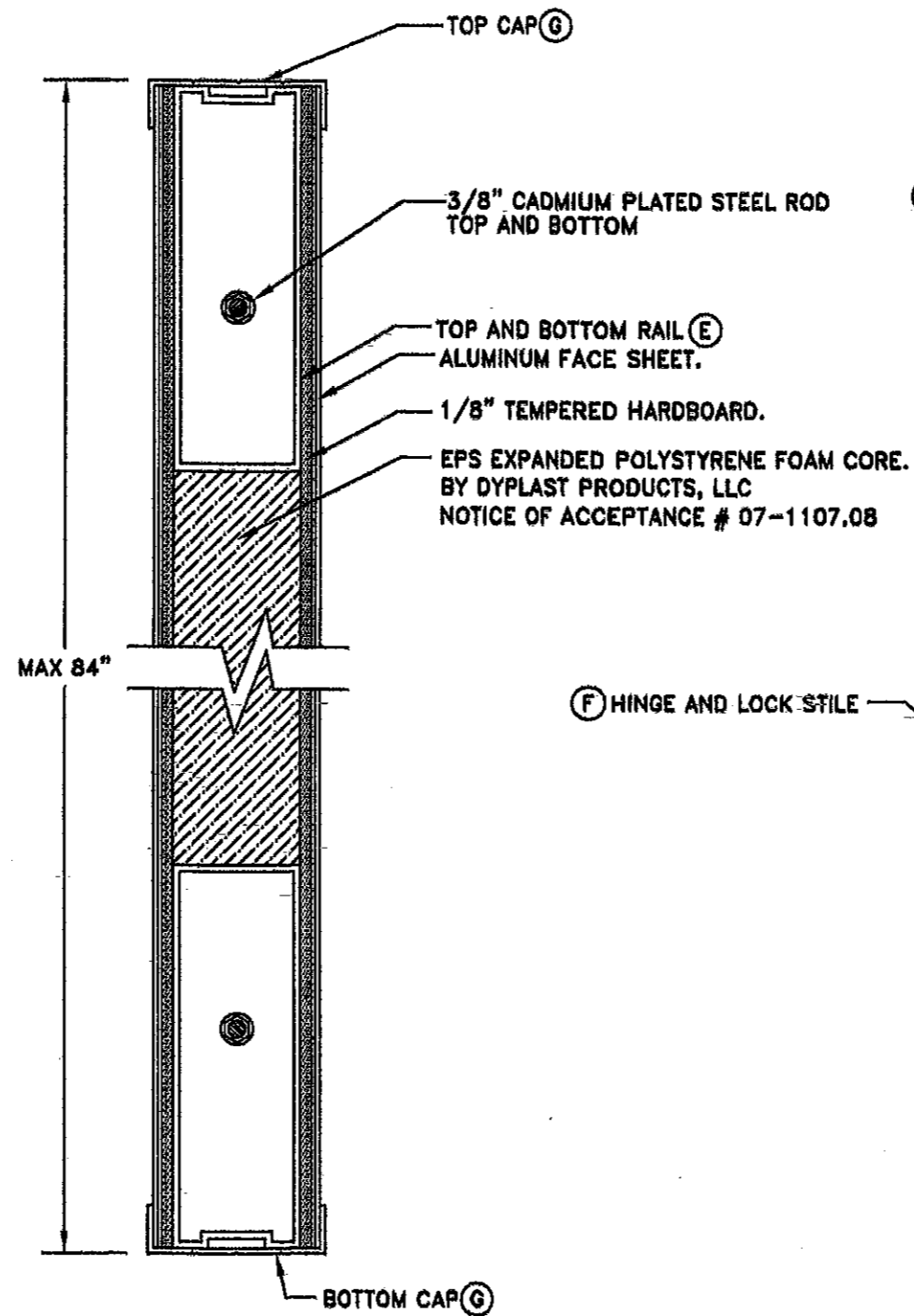
SERIES 2001 FLUSH SINGLE OUTSWING ALUMINUM INSULATED COMMERCIAL DOOR-IMPACT WITH 0.040", 0.063", OR 0.090" ALUMINUM FACE SHEET AND FR575 OR FR450S ALUMINUM FRAME.  
 REV: 09/13/11

DATE: 12/15/95	DRAWN BY: SARDA/AG
DWG No.: 11-088	SHEET No.: 3 OF 7

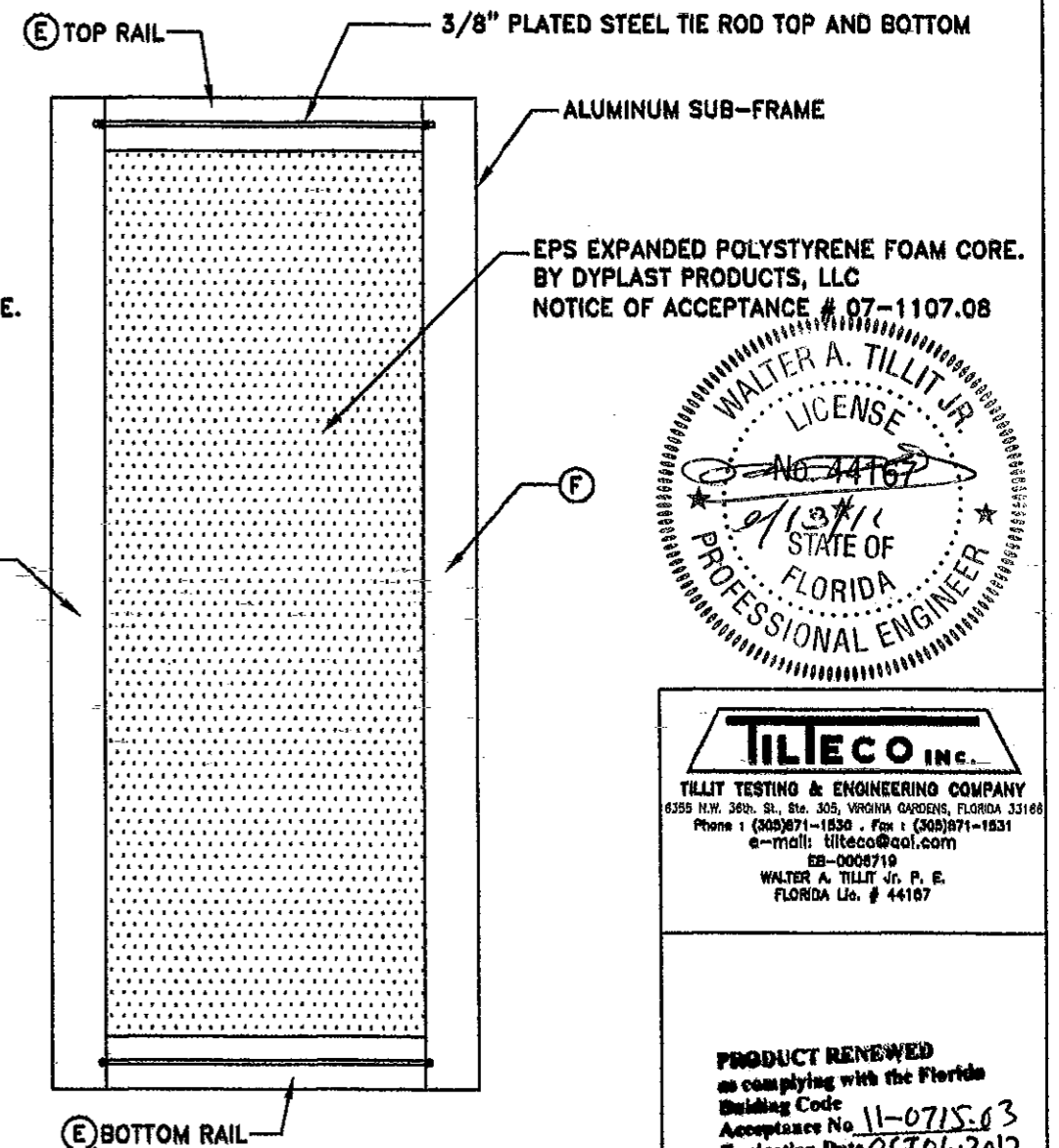


FLUSH ALUMINUM DOOR ELEVATION

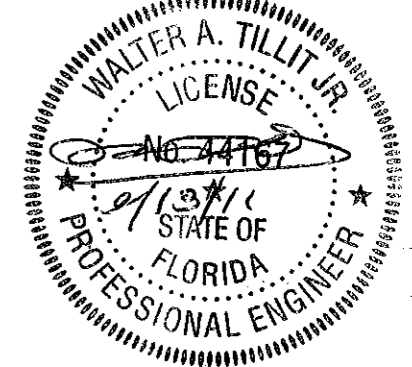
DOOR PANEL DETAILS



VERTICAL SECTION B-B

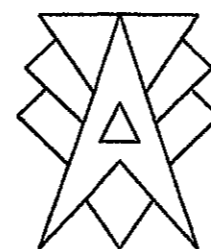


INTERNAL TUBE REINFORCING ELEVATION



**TILECO INC.**  
TILLIT TESTING & ENGINEERING COMPANY  
6355 N.W. 36th St., Ste. 305, VIRGINIA GARDENS, FLORIDA 33166  
Phone: (305)871-1530 Fax: (305)871-1531  
e-mail: tillitco@aol.com  
EE-0008719  
WALTER A. TILLIT JR., P. E.  
FLORIDA Lic. # 44167

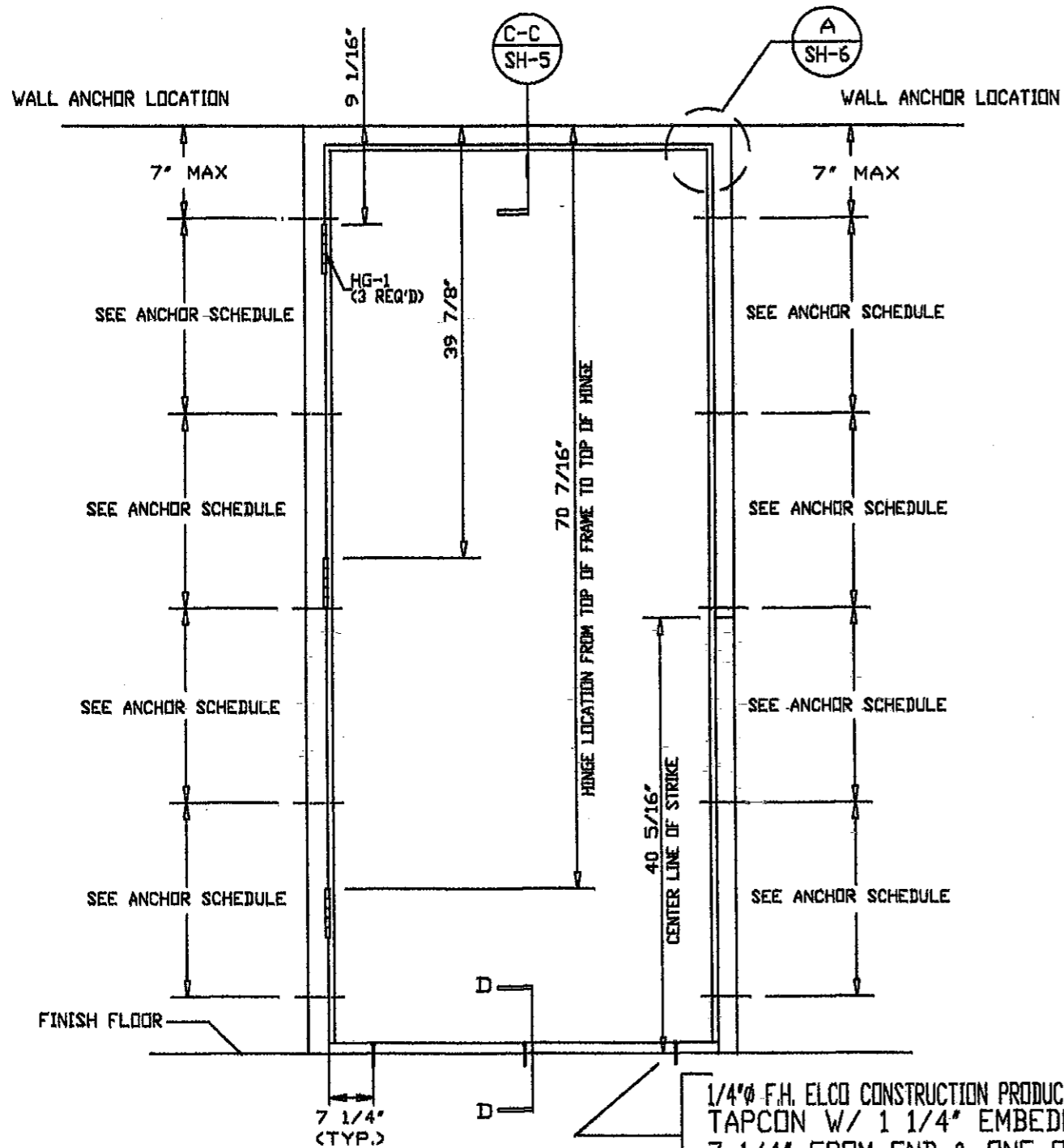
PRODUCT RENEWED  
as complying with the Florida  
Building Code  
Acceptance No. 11-0715-03  
Expiration Date OCT 06, 2012  
By: *Lucas L. Chanda*  
Miami Dade Product Control



ALUTECH CORPORATION  
8548 NW 64th STREET  
MIAMI, FL 33166  
PH: 305/593-2080  
FAX: 305/591-8481

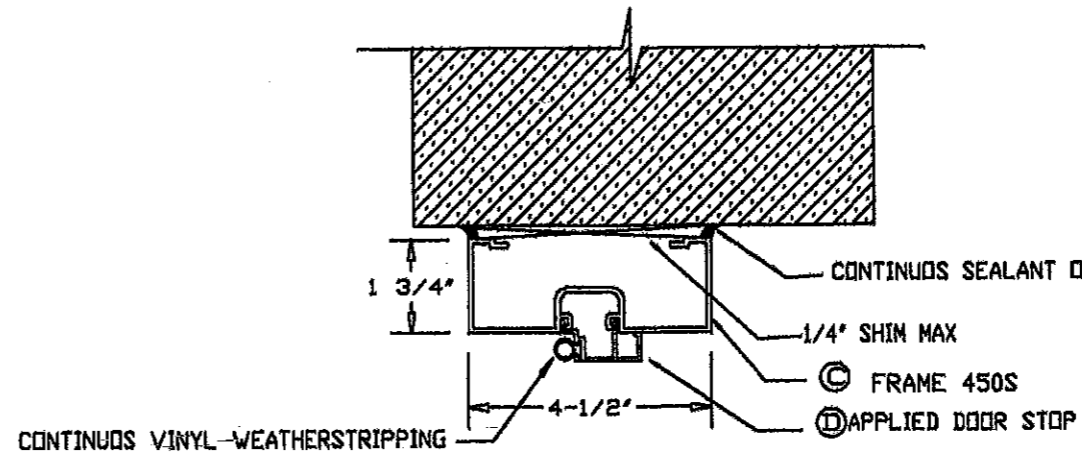
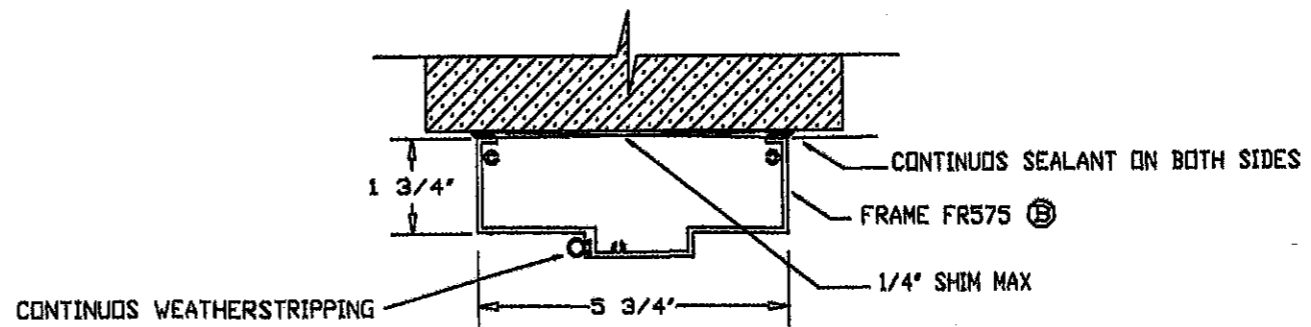
SERIES 2001 FLUSH SINGLE OUTSWING ALUMINUM  
INSULATED COMMERCIAL DOOR-IMPACT WITH  
0.040", 0.063", OR 0.090" ALUMINUM FACE  
SHEET AND FR575 OR FR450S ALUMINUM FRAME.  
REV: 09/13/11

DATE: 12/15/95	DRAWN BY: SARDA/AG
DWG No.: 11-088	SHEET No.: 4 OF 7

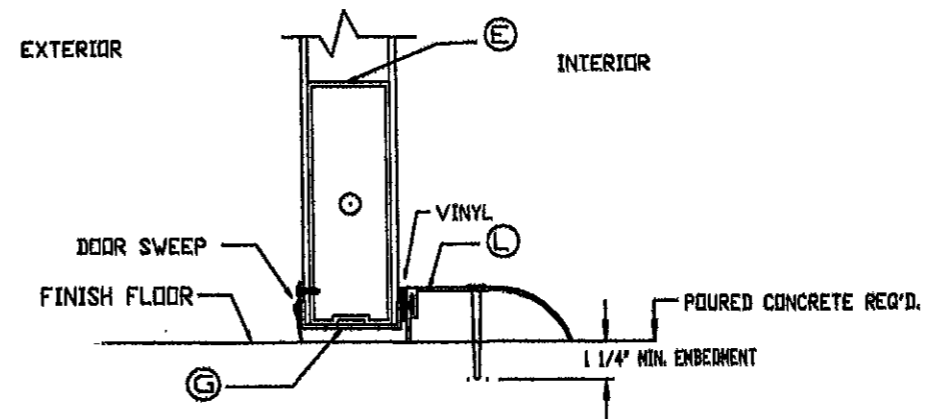


WALL ANCHOR, HINGE & STRIKE LOCATION

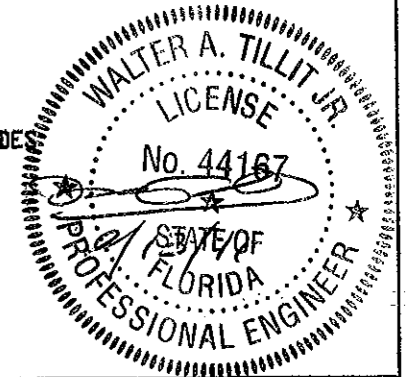
1/4" F.H. ELCO CONSTRUCTION PRODUCTS, INC.  
TAPCON W/ 1 1/4" EMBEDMENT,  
7-1/4" FROM END & ONE IN CENTER  
THRESHOLD IS NOT ATTACHED TO FRAME



SECTIONS C-C



SECTION D-D: BUMPER THRESHOLD



**TILECO Inc.**  
TILLIT TESTING & ENGINEERING COMPANY  
6355 NW 29th St., Ste. 305, VIRGINIA GARDENS, FLORIDA 33166  
Phone: (305) 971-1830 Fax: (305) 971-1831  
e-mail: tillit@aol.com  
EG-0006719  
WALTER A. TILLIT JR., P. E.  
FLORIDA Lic. # 44167

PRODUCT RENEWED  
as complying with the Florida  
Building Code  
Acceptance No. 11-0715.03  
Expiration Date: *Detail 2012*  
*W. A. Tillit Jr.*  
Member, Florida Product Council

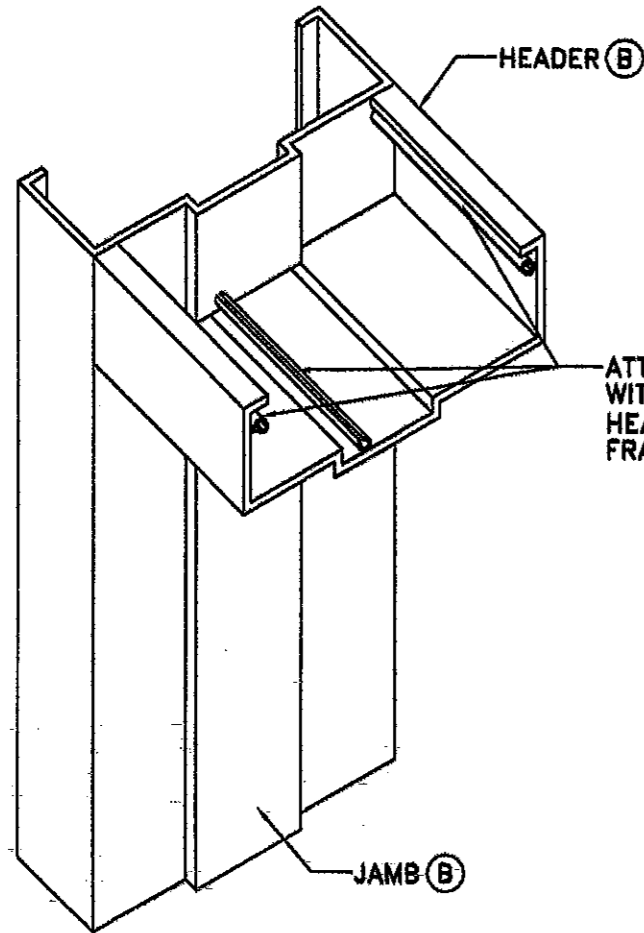


ALUTECH CORPORATION  
8548 NW 64th STREET  
MIAMI, FL 33166  
PH: 305/593-2080  
FAX: 305/591-8481

SERIES 2001 FLUSH SINGLE OUTSWING ALUMINUM  
INSULATED COMMERCIAL DOOR-IMPACT WITH  
0.040", 0.063", OR 0.090" ALUMINUM FACE  
SHEET AND FR575 OR FR450S ALUMINUM FRAME.  
REV: 09/13/11

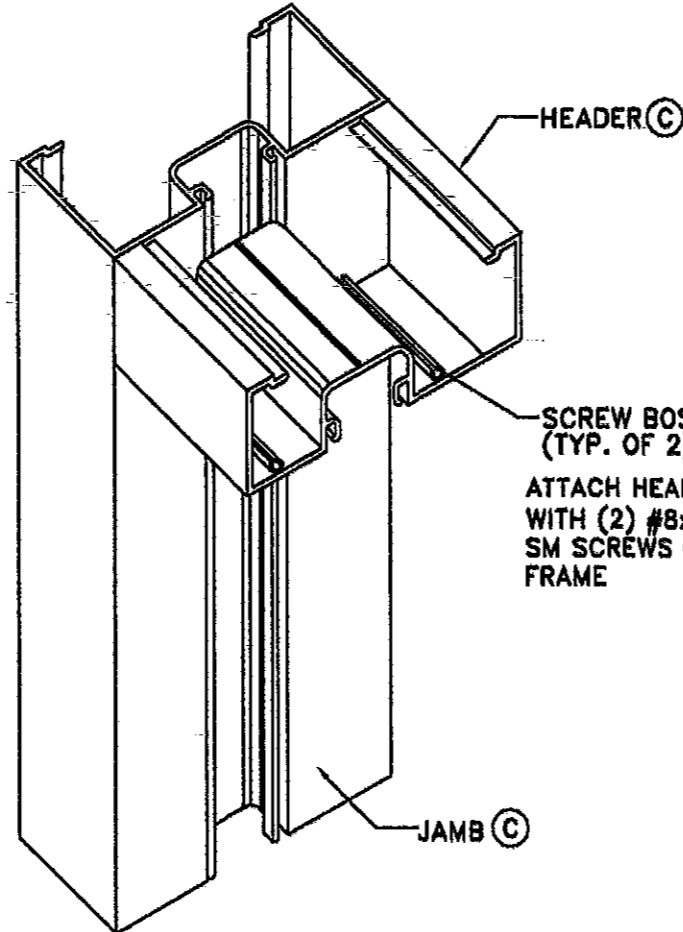
DATE: 12/15/95	DRAWN BY: SARDA/AG
DWG No.: 11-088	SHEET No.: 5 OF 7





ATTACH HEADER TO JAMBS WITH (3) #10 x 1" PAN HEAD SS SM SCREWS ON FR575 FRAME.

FRAME FR575



SCREW BOSS (TYP. OF 2)  
ATTACH HEADER TO JAMBS WITH (2) #8x1 PAN HEAD SS SM SCREWS ON FR450S FRAME

FRAME FR450

DETAIL 'A':  
CORNER CONSTRUCTION

**ALUMINUM FRAME:** ALUMINUM DOOR FRAMES SHALL BE SERIES FR575 1-3/4" X 5-3/4" OPEN BACK WITH AN INTEGRAL DOOR STOP OR FR450S 1-3/4" X 4-1/2" OPEN BACK WITH A SNAP ON DOOR STOP.

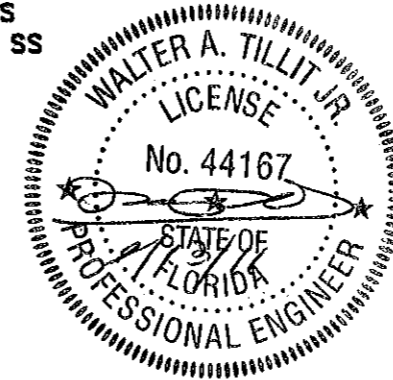
**MATERIAL:** FRAME MEMBERS SHALL BE MADE OF 6063-T6 EXTRUDED ALUMINUM ALLOY WITH A MINIMUM WALL THICKNESS OF 0.112" FOR THE FR575 AND 0.090" FOR THE FR450S FRAME AND A MIN. YIELD STRENGTH OF 28,750 PSI. ALL SCREWS AND MISCELLANEOUS FASTENERS SHALL BE STAINLESS STEEL, OR OTHER CORROSION RESISTANT MATERIAL. WEATHERSTRIPPING SHALL BE COMPOUND SANTOPRENE BULB.

**CONSTRUCTION:** FRAME SHALL BE SQUARED CUT TO PROVIDE NEAT HAIRLINE JOINTS. JAMBS AND HEADER SHALL BE FASTENED WITH STAINLESS STEEL SCREWS. ALL FRAMES SHALL BE MORTISE FOR HINGES AND LOCK STRIKE PLATES. SURFACE MOUNTED HARDWARE SHALL BE DRILLED AND TAPPED IN THE FIELD. HINGE, LOCK AND STRIKE REINFORCING PLATE SHALL BE MADE OF 1/4" ALUMINUM PLATE 6063-T6 ALLOY.

**INSTALLATION:** INSPECT WALL CONDITION, IF NECESSARY MAKE ANY WALL REPAIRS OR ADJUSTMENTS BEFORE INSTALLATION OF DOOR FRAME. ASSEMBLE DOOR FRAME BY ATTACHING JAMBS TO HEADER USING (3) #10x1" PAN HEAD SCREWS ON THE FR575 AND (2) #8x1 ON THE FR450S" FRAME (DO NOT FILLED JAMBS OR HEADER WITH MORTAR). ERECT FR575 HINGE JAMB TO WALL AND FR450S FRAME TO WALL WITH AS PER ANCHOR SCHEDULE ON SHEET 4 OF 6 STARTING AT 7" FROM TOP. AFTER HINGE SIDE IS INSTALLED START WITH LOCK SIDED AND REPEAT THE SAME PROCEDURE. USE SHIMS AT HINGE AND LOCK SIDE TO PROPERLY LEVELED, SQUARED AND PLUMBED FRAME IF NECESSARY (MAXIMUM SHIM SPACE TO BE 1/4").

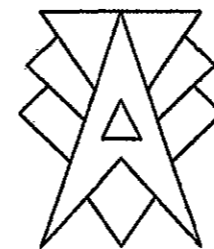
**HARDWARE:** EACH DOOR SHALL BE EQUIPPED WITH (3) 4 1/2" x 4 1/2" x .134" HINGE, ATTACHED TO DOOR AND FRAME WITH (4) 12-24 FLAT HEAD MACHINE SCREW, (1) YALE 5407 CYLINDRICAL LOCK 2-3/4" BACKSET AND 2-1/8" BORE WITH A 4-7/8" STAINLESS STEEL STRIKE PLATE, (1) BUMPER THRESHOLD 1" HIGH. AND (1) DOOR SWEEP #DS-10 OR EQUAL.

**PROTECTION & CLEANING:** AFTER ERECTION, THE GENERAL CONTRACTOR SHALL ADEQUATELY PROTECT EXPOSED PORTIONS OF ALUMINUM SURFACES FROM DAMAGE BY PLASTER, LIME, ACID, CEMENT, OR OTHER HARMFUL COMPOUNDS. AFTER INSTALLATION, ALL ALUMINUM SHALL BE CLEANED WITH SOAPY WATER OR OTHER MILD CLEANING SOLUTION.



**TILECO INC.**  
TILLIT TESTING & ENGINEERING COMPANY  
6355 N.W. 30th St., Ste. 305, VIRGINIA GARDENS, FLORIDA 33166  
Phone: (305)871-1630 Fax: (305)871-1631  
e-mail: tilteco@aol.com  
EB-0008718  
WALTER A. TILLIT JR. P. E.  
FLORIDA Lic. # 44167

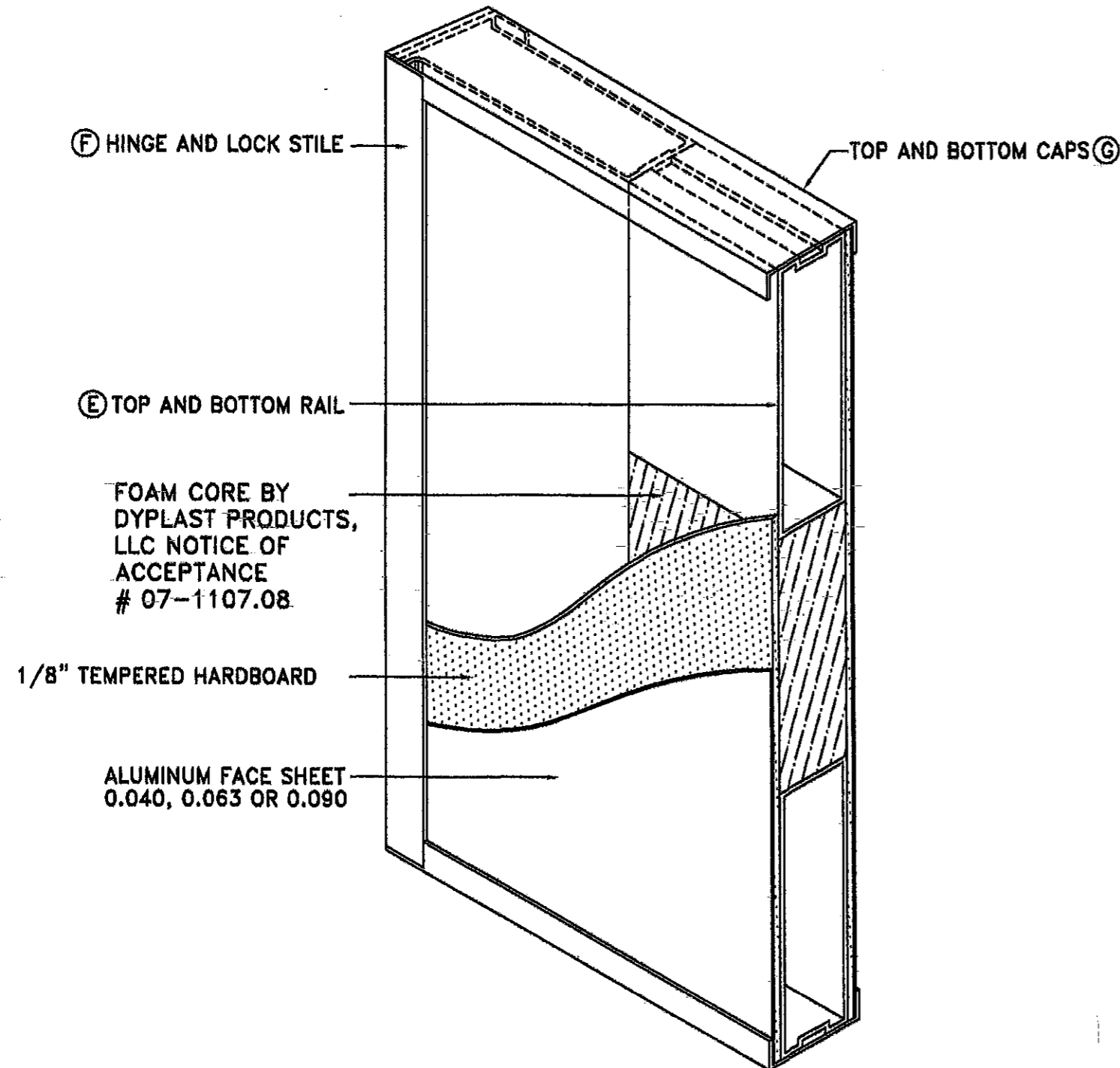
**PRODUCT RENEWED**  
as complying with the Florida  
Building Code  
Acceptance No. 11-0715.03  
Expiration Date OCT 06, 2012  
*Shang Li Cheng*  
Miami Photo Product Control



ALUTECH CORPORATION  
8548 NW 64th STREET  
MIAMI, FL 33166  
PH: 305/593-2080  
FAX: 305/591-8481

SERIES 2001 FLUSH SINGLE OUTSWING ALUMINUM INSULATED COMMERCIAL DOOR-IMPACT WITH 0.040", 0.063", OR 0.090" ALUMINUM FACE SHEET AND FR575 OR FR450S ALUMINUM FRAME.  
REV: 09/13/11

DATE: 12/15/95	DRAWN BY: SARDA/AG
DWG No: 11-088	SHEET No: 6 OF 7



**FLUSH DOOR: ISOMETRIC**

**ALUMINUM DOOR:** ALUMINUM DOOR TO BE NOMINAL 1-3/4" THICK FLUSH DESIGN, (6063-T6 ALLOY) SERIES 2001. DOOR STILES AND RAILS SHALL HAVE A STRONG, RIGID ALUMINUM SUB-FRAME WITH INTEGRAL EDGE CAPS. THE SUB-FRAME SHALL BE CONNECTED BY A 3/8" STEEL TIE ROD TOP AND BOTTOM. NO SNAP-ON OR APPLIED DOOR EDGES AT HINGE OR LOCK STILES.

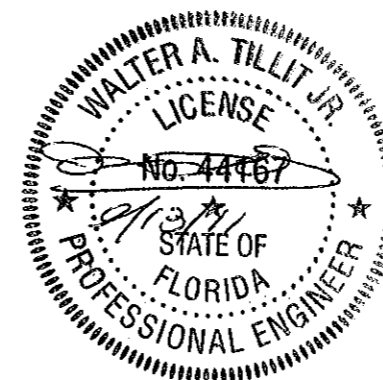
**FACE SHEET:** FACE SHEET SHALL BE ALU. 3003-H14/5005-H34 ALLOY WITH A MINIMUM THICKNESS OF 0.040", 0.063", OR 0.090" WITH A MINIMUM YIELD STRENGTH OF 26,450 PSI. FACE SHEETS SHALL BE CONCEALED UNDER A 1/2" EDGE CAP FULL PERIMETER.

**INSULATED CORE:** ALL VOIDS BETWEEN SUB-FRAMES SHALL BE FILLED WITH EPS EXPANDED POLYSTYRENE RIGID FOAM BOARD AS MANUFACTURED BY DYPLAST PRODUCTS, LLC. NOTICE OF ACCEPTANCE # 07-1107.08, WITH AN "R" VALUE OF 9. CORE SHALL BE LAMINATED BETWEEN TWO SHEETS OF 1/8" TEMPERED HARDBOARD FOR IMPACT REINFORCING.

**LAMINATION:** SUB-FRAME, FACE SHEETS AND INSULATED CORE SHALL BE BONDED TOGETHER WITH A MOISTURE CURE, ONE-PART ADHESIVE AS MANUFACTURED BY MORTON INTERNATIONAL OR EQUAL UNDER PRESSURE TO FORM A WATER, HEAT, AND CHEMICAL RESISTANT BOND.


**ALUMINUM SUB-FRAME FULL PERIMETER:** 1-3/8" X 4-1/2" SUB-FRAME WITH AN INTEGRAL EDGE CAP AT HINGE AND LOCK EDGE, TOP AND BOTTOM OF DOOR SHALL BE CAPPED TO INSURE PROPER PROTECTION FROM THE ELEMENTS. MINIMUM WALL THICKNESS AT HINGE AND LOCK EDGE SHALL BE 0.125" AND BEVEL 1/8" IN 2". STILE AND RAILS SHALL BE CONNECTED WITH A 3/8" PLATED STEEL TIE ROD TOP AND BOTTOM. OVERALL DOOR TOLERANCE SHALL BE PLUS OR MINUS 1/16". EXTRUSION TOLERANCES SHALL BE AS SET BY THE AMERICAN ALUMINUM MANUFACTURE'S ASSOCIATION.

**HARDWARE REINFORCING:** HINGE REINFORCING PLATES SHALL BE OF 1/4" X 1" X 7" LONG ALUMINUM PLATE 6063-T6 MOUNTED TO DOOR STILE WITH (4) 12-24 MACHINE SCREWS, LOCK REINFORCING PLATES SHALL BE 1/4" X 1" X 1 1/2" LONG ALUMINUM PLATE 6063-T6 MOUNTED TO DOOR STILE WITH (1) 10-24 MACHINE SCREW.



**TILECO INC.**  
 TILLIT TESTING & ENGINEERING COMPANY  
 6385 N.W. 36th St., Rm. 305, VIRGINIA GARDENS, FLORIDA 33166  
 Phone: (305)871-1930 Fax: (305)871-1931  
 e-mail: tileco@aol.com  
 EB-0006719  
 WALTER A. TILLIT JR., P. E.  
 FLORIDA Lic. # 44187

**PRODUCT RENEWED**  
 as complying with the Florida  
 Building Code  
 Acceptance No. 11-0715-03  
 Expiration Date 06/06/2012  
 By: *Ishag I. Chay*  
 National Trade Product Council



**ALUTECH CORPORATION**  
 8548 NW 64th STREET  
 MIAMI, FL 33166  
 PH: 305/593-2080  
 FAX: 305/591-8481

SERIES 2001 FLUSH SINGLE OUTSWING ALUMINUM INSULATED COMMERCIAL DOOR-IMPACT WITH 0.040", 0.063", OR 0.090" ALUMINUM FACE SHEET AND FR575 OR FR450S ALUMINUM FRAME. REV: 09/13/11

DATE: 12/15/95	DRAWN BY: SARDA/AG
DWG No.: 11-088	SHEET No.: 7 OF 7