



DEPARTMENT OF REGULATORY AND ECONOMIC RESOURCES (RER)
 BOARD AND CODE ADMINISTRATION DIVISION
NOTICE OF ACCEPTANCE (NOA)

MIAMI-DADE COUNTY
 PRODUCT CONTROL SECTION
 11805 SW 26 Street, Room 208
 Miami, Florida 33175-2474
 T (786) 315-2590 F (786) 315-2599
www.miamidade.gov/economy

Master Wall Inc.
 P.O. Box 397
 Fortson, GA 31808

SCOPE: This NOA is being issued under the applicable rules and regulations governing the use of construction materials. The documentation submitted has been reviewed and accepted by Miami-Dade County RER-Product Control Section to be used in Miami Dade County and other areas where allowed by the Authority Having Jurisdiction (AHJ).

This NOA shall not be valid after the expiration date stated below. The Miami-Dade County Product Control Section (In Miami Dade County) and/or the AHJ (in areas other than Miami Dade County) reserve the right to have this product or material tested for quality assurance purposes. If this product or material fails to perform in the accepted manner, the manufacturer will incur the expense of such testing and the AHJ may immediately revoke, modify, or suspend the use of such product or material within their jurisdiction. RER reserves the right to revoke this acceptance, if it is determined by Miami-Dade County Product Control Section that this product or material fails to meet the requirements of the applicable building code.

This product is approved as described herein, and has been designed to comply with the Florida Building Code, including the High Velocity Hurricane Zone.

DESCRIPTION: Aggre-flex and Rollershield Drainage EIF Systems

APPROVAL DOCUMENT: Drawing No. **MDC-120921**, titled "Master Wall Aggre-flex and Rollershield Drainage EIFS", Sheets 1 through 5 of 5, dated 03/01/2017, prepared by the manufacturer, signed and sealed by Salvatore R. Granata, P.E., S.E. on 06/24/2017, bearing the Miami-Dade County Product Control revision stamp with the Notice of Acceptance number and expiration date by the Miami-Dade County Product Control Section.

MISSILE IMPACT RATING: Large and Small Missile Impact Resistant

LABELING: Each unit shall bear a permanent label with the manufacturer's name or logo, city, state and following statement: "Miami-Dade County Product Control Approved", unless otherwise noted herein. Each container (bucket or drum) needs to be labeled. Unit is further defined as each roll of reinforcing mesh.

RENEWAL of this NOA shall be considered after a renewal application has been filed and there has been no change in the applicable building code negatively affecting the performance of this product.

TERMINATION of this NOA will occur after the expiration date or if there has been a revision or change in the materials, use, and/or manufacture of the product or process. Misuse of this NOA as an endorsement of any product, for sales, advertising or any other purposes shall automatically terminate this NOA. Failure to comply with any section of this NOA shall be cause for termination and removal of NOA.

ADVERTISEMENT: The NOA number preceded by the words Miami-Dade County, Florida, and followed by the expiration date may be displayed in advertising literature. If any portion of the NOA is displayed, then it shall be done in its entirety.

INSPECTION: A copy of this entire NOA shall be provided to the user by the manufacturer or its distributors and shall be available for inspection at the job site at the request of the Building Official.

This NOA **renews and revises** NOA # **12-0619.12** and consists of this page 1 and evidence page E-1, as well as approval document mentioned above.

The submitted documentation was reviewed by **Carlos M. Utrera, P.E.**



Utrera
 08/09/2017

NOA No. 17-0313.03
 Expiration Date: May 30, 2022
 Approval Date: August 17, 2017
 Page 1

NOTICE OF ACCEPTANCE: EVIDENCE SUBMITTED

A. DRAWINGS

1. Drawing No. **MDC-120921**, titled "Master Wall Aggre-flex and Rollershield Drainage EIFS", sheets 1 through 5 of 5, dated 03/01/2017, prepared by the manufacturer, signed and sealed by Salvatore Ray Granata, P.E., S.E. on 06/24/2017.

B. TESTS "Submitted under NOA # 12-0619.12"

1. Test reports on 1) Air Infiltration Test, per FBC, TAS 202-94
2) Uniform Static Air Pressure Test, Loading per FBC TAS 202-94
3) Water Resistance Test, per FBC, TAS 202-94
4) Large Missile Impact Test per FBC, TAS 201-94
5) Cyclic Wind Pressure Loading per FBC, TAS 203-94
along with marked-up drawings and installation diagram of Master Wall EIF systems, prepared by Intertek, Test Report No. **G100445013MID-01**, dated 08/30/2011, signed and sealed by Rick Curkeet.

"Submitted under NOA # 10-0127.01"

2. Test reports on Air Infiltration Test, per FBC, TAS 202-94, Uniform Static Air Pressure Test, Loading per FBC TAS 202-94, Water Resistance Test, per FBC, TAS 202-94, Large Missile Impact Test per FBC, TAS 201-94, Cyclic Wind Pressure Loading per FBC, TAS 203-94 of Master Wall EIF systems, prepared by Intertek, Test Report No. **3186812MID-01**, dated 08/24/2009, signed and sealed by Rick Curkeet.

"Submitted under NOA # 01-0404.06"

3.	Laboratory	Test	Date	Signature
	CTLA-620W	PA202 & 203	03/27/01	Ramesh C. Patel, P.E

C. CALCULATIONS

1. None.

D. QUALITY ASSURANCE

1. Miami-Dade Department of Regulatory and Economic Resources (RER)

E. MATERIAL CERTIFICATIONS

1. Notice of Acceptance No. **16-1129.05**, issued to Dyplast Products LLC, for their Expanded Polystyrene Block Type Insulation, approved on 01/19/2017 and expiring on 01/11/2022.

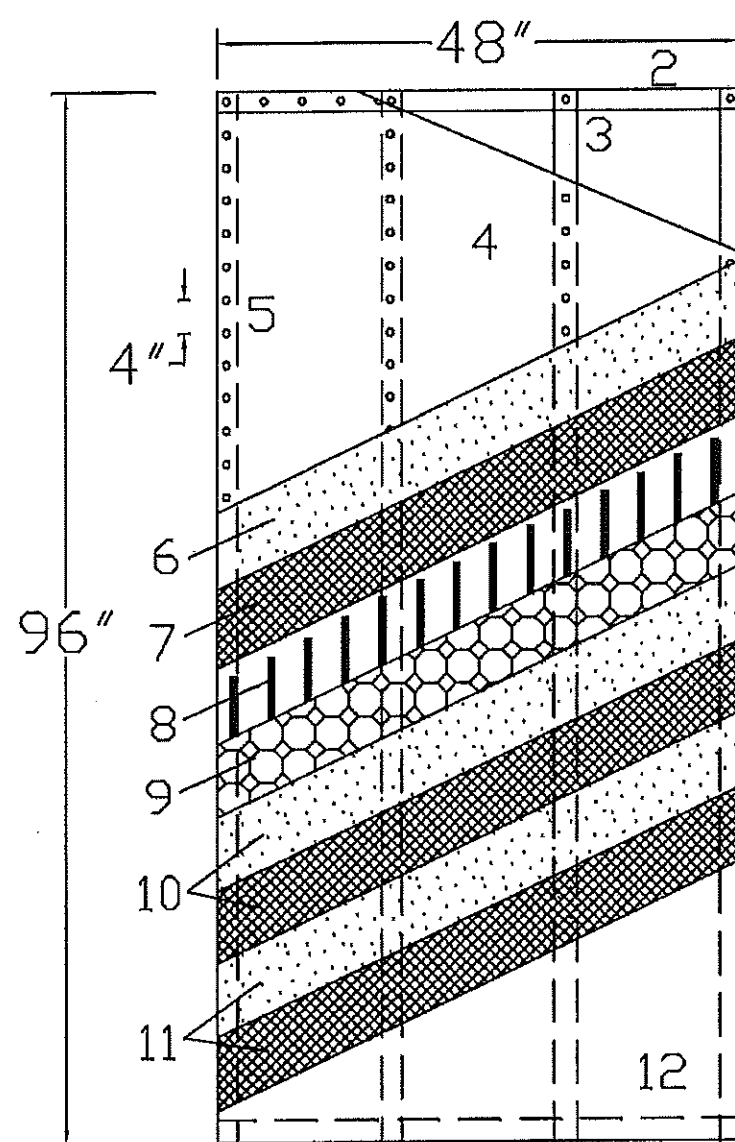
F. STATEMENTS

1. Drawing No. **MDC-120921** statement of code conformance to 5th Ed. (2014) and 6th Ed. (2017) FBC issued by the manufacturer, dated 03/01/2017, signed and sealed by Salvatore R. Granata, P.E., S.E.
2. Drawing No. **MDC-120921** statement of code conformance to 2010 FBC issued by the manufacturer, dated 03/23/2012, signed and sealed by Ray F. Tucker, P.E. *"Submitted under NOA # 12-0619.12"*
"Submitted under NOA # 01-0404.06"
3. No financial letter issued by Master Wall, Inc, dated 12/08/2002, signed by Dennis Deppner.

 08/09/2017

Carlos M. Utrera, P.E.
Product Control Examiner
NOA No. 17-0313.03

Expiration Date: May 30, 2022
Approval Date: August 17, 2017



Assembly H110F1EIFS

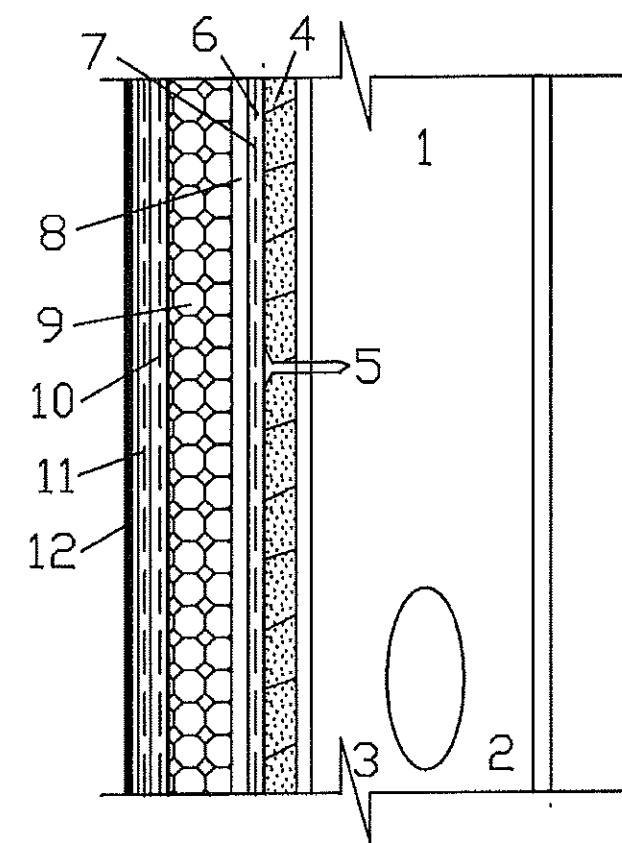
DESIGN PRESSURE +/- 110psf

Material List

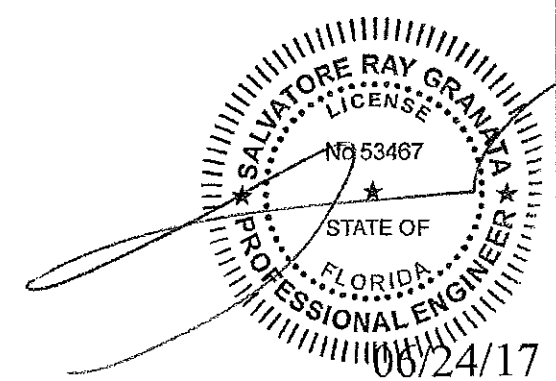
1. 6" x 16 gage (54 mil) steel studs at 16" o.c.
2. 6" x 16 gage (54 mil) steel track.
3. Fastened to steel studs with #8 x 1/2" self drilling pan head screw.
4. 5/8" Dens Glass Gold sheathing meeting ASTM C1177.
5. Minimum #6 x 1-1/4" bugle head screws spaced at 4" o.c. along framing members.
6. Master Wall F&M base coat mixed 1:1 by weight with Portland cement and water.
7. Master Wall Hi-Tech 6.0 oz/sy fiberglass reinforcing mesh embedded in the Master Wall Base Coat. Lap Hi-Tech mesh a minimum of 2-1/2" at all edges.
8. Adhere the expanded polystyrene (EPS) insulation board with Master Wall F&M mixture. The adhesive is applied with a 3/8"x1/2" notched trowel with notches spaced a maximum of 1-1/2" o.c. The adhesive shall be applied to the back side of the EPS in a vertical orientation.
9. Minimum 1" thick insulation board meeting Master Wall specifications. Insulation board shall possess a current NOA with Miami Dade County.
10. Master Wall Ultra Mesh, 21.0 oz/sy fiberglass reinforcing mesh embedded into the F&M base coat. Butt mesh tightly, do not overlap.
11. Master Wall Standard reinforcing mesh, 4.5 oz/sy embedded into the F&M base coat. Lap mesh a minimum of 2-1/2" at all edges.
12. Master Wall Superior Finish, 100% acrylic based dirt pickup resistant (DPR) finish.

General Notes

1. This system has been designed in accordance with the Florida Building Code 5th Edition (2014), 6th Edition (2017) and its latest supplements.
2. This system has been tested in accordance with Miami Dade County protocols TAS 201, TAS202 and TAS 203; impact, structural and cyclic testing.
3. This system shall be applied by a licensed plastering contractor following this Notice Of Acceptance, the recommendations of Master Wall Inc. and the applicable sections of the Florida Building Code.
4. The Engineer and/or Architect of record for each project using this system shall size all stud framing to ensure conformance with stud deflection and stress limitations as required by all governing codes and this document.
5. Insulation boards shall be positioned in a running bond pattern.
6. All steel studs shall be structural with 1-5/8" minimum flange width and have a minimum yield strength of 33,000 psi.
7. Details on sheets 4 and 5 are typical and show intent to prevent water infiltration into and behind this system. Alternative details and specific conditions not covered by the typical details are the responsibility of the licensed design professionals.



PRODUCT REVISED
 as complying with the Florida Building Code
 NOA-No. **17-0313.03**
 Expiration Date **05/30/2022**
 By *[Signature]*
 Miami-Dade Product Control

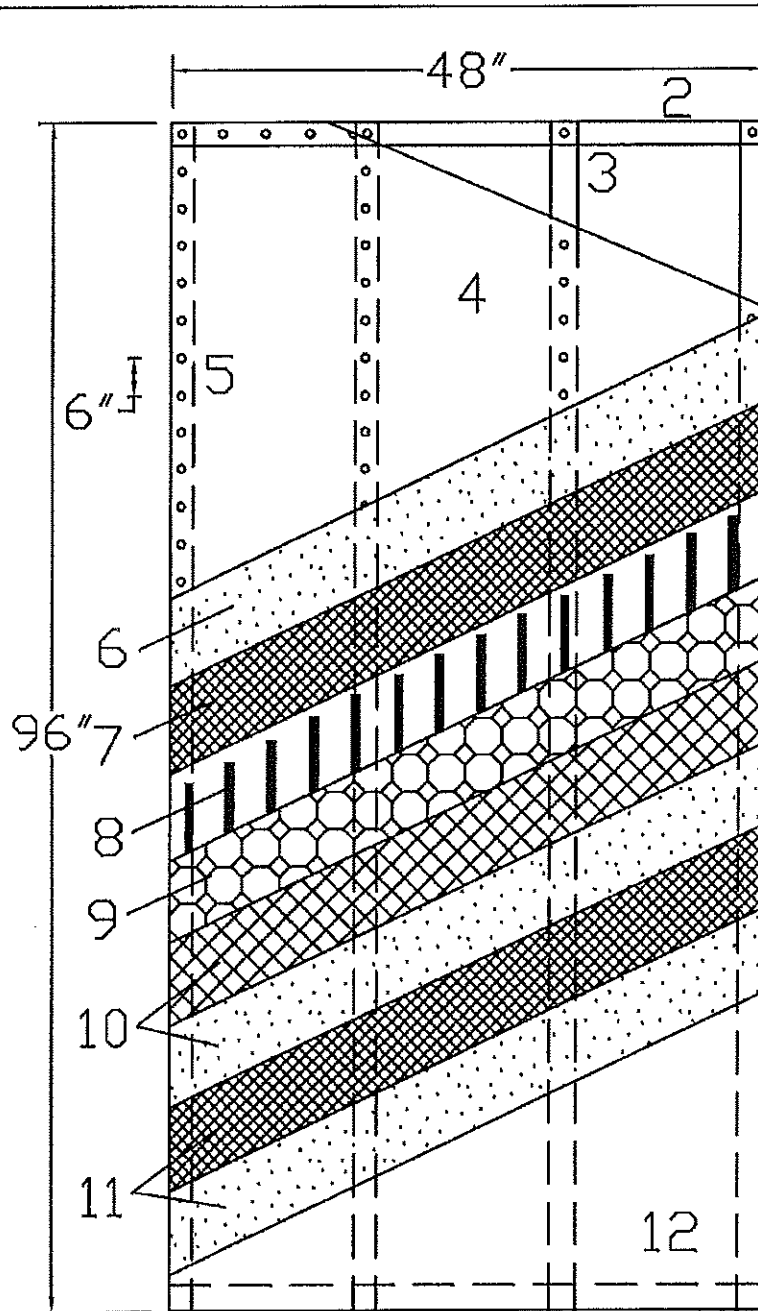


Salvatore R. Granata, P.E., S.E.
 Phone: (978) 397-3151
 Cell: (770) 301-8817
 Toll Free: (877) 348-5128
 148 Lee Road 2012
 Opelika, AL 36804
 Fax: 866-815-6892
 info@salvatorepe.com
 salvatorepe.com

Sheet 1 of 5
 Date Issued: 03/1/17
 Drawing Number:
 MDC-120921

Master Wall Aggre-flex EIFS
 Large Scale Missile
 Dens Glass Gold Substrate

Master Wall Inc.
 Building a Culture of Excellence
 P.O. Box 397 Fortson, GA 31808 800-755-0825 FAX 706-569-0092
 masterwall.com



Design Pressure +/- 70 psf

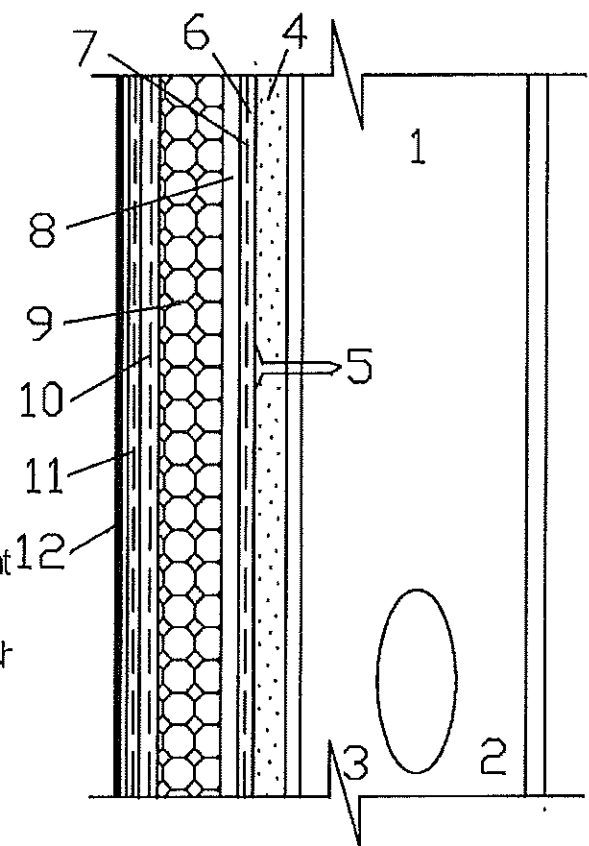
Assembly H070F2EIFS

Material List

1. 3-5/8" x 18 gage (43 mil) steel studs at 16" o.c.
2. 3-5/8" x 18 gage (43 mil) steel track.
3. Fastened to steel studs with #8 x 1/2" self drilling pan head screw.
4. 5/8" Dens Glass Gold sheathing meeting ASTM C1177.
5. Minimum #6 x 1-1/4" bugle head screws spaced at 6" o.c. along framing members.
6. Master Wall Rollershield Air/Water Barrier.
7. Master Wall H-Tech 6.0 oz/sy fiberglass reinforcing mesh embedded in the Rollershield Air/Water Barrier. Lap Hi-Tech mesh a minimum of 2-1/2" at all edges.
8. Adhere the expanded polystyrene (EPS) insulation board with Master Wall F&M mixture. The adhesive is applied with a 3/8"x1/2" notched trowel with notches spaced a maximum of 1-1/2" o.c. The adhesive shall be applied to the back side of the EPS in a vertical orientation.
9. Minimum 1" thick insulation board meeting Master Wall specifications. Insulation board shall possess a current NOA with Miami Dade County.
10. Master Wall Ultra Mesh, 21.0 oz/sy fiberglass reinforcing mesh embedded into the F&M base coat. Butt mesh tightly, do not overlap.
11. Master Wall Standard reinforcing mesh, 4.5 oz/sy embedded into the F&M base coat. Lap mesh a minimum of 2-1/2" at all edges.
12. Master Wall Superior Finish, 100% acrylic based dirt pickup resistant (DPR) finish.

General Notes

1. This system has been designed in accordance with the Florida Building Code 5th Edition (2014), 6th Edition (2017) and its latest supplements.
2. This system has been tested in accordance with Miami Dade County protocols TAS 201, TAS 202 and TAS 203; impact, structural and cyclic testing.
3. This system shall be applied by a licensed plastering contractor following this Notice Of Acceptance, the recommendations of Master Wall Inc. and the applicable sections of the Florida Building Code.
4. The Engineer and/or Architect of record for each project using this system shall size all stud framing to ensure conformance with stud deflection and stress limitations as required by all governing codes and this document.
5. Insulation boards shall be positioned in a running bond pattern.
6. All steel studs shall be structural with 1-5/8" minimum flange width and have a minimum yield strength of 33,000 psi.
7. Details on sheets 4 and 5 are typical and show intent to prevent water infiltration into and behind this system. Alternative details and specific conditions not covered by the typical details are the responsibility of the licensed design professionals.



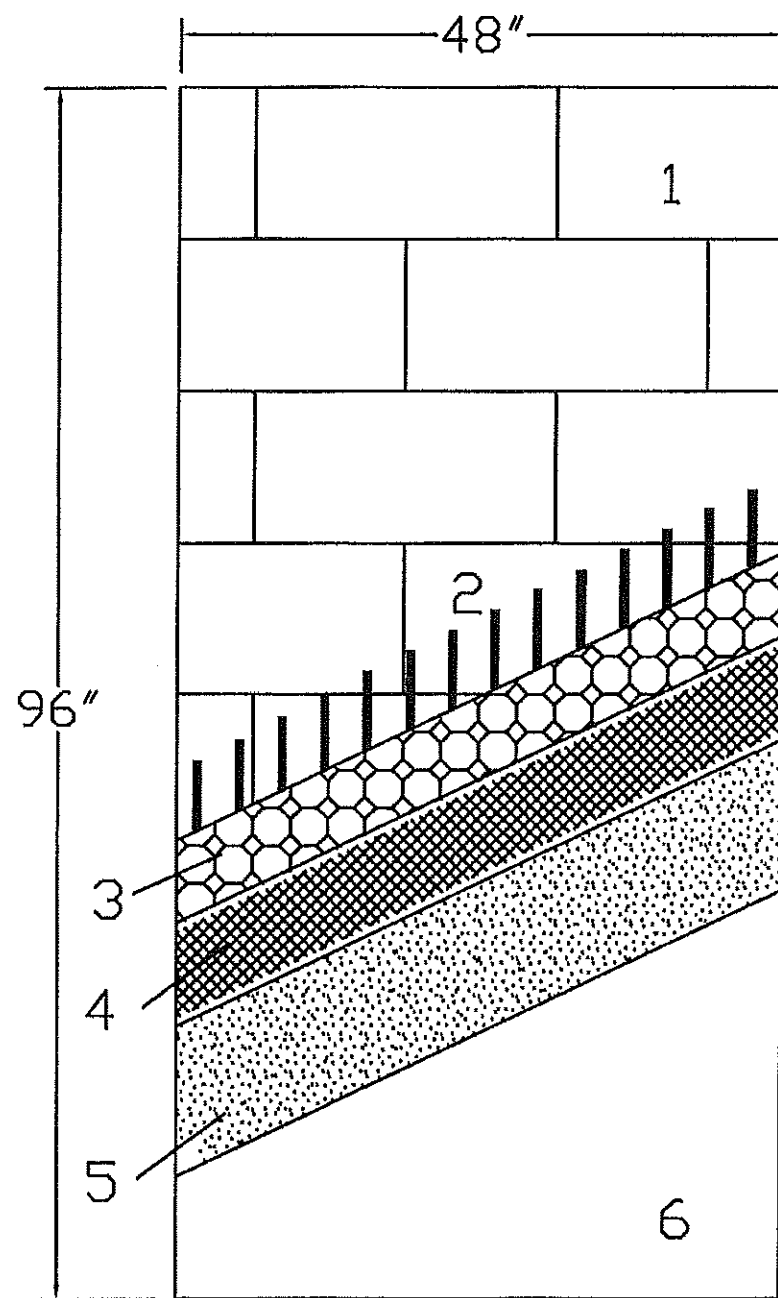
PRODUCT REVISED
 as complying with the Florida Building Code
 NOA-No. **17-0313.03**
 Expiration Date **05/30/2022**
 By *[Signature]*
 Miami-Dade Product Control

SALVATORE RAY GRANATA
 LICENSE
 No 53467
 STATE OF
 FLORIDA
 PROFESSIONAL ENGINEER
 06/24/17
 Salvatore R. Granata, P.E., S.E.

Sheet 2 of 5
 Date Issued: 03/1/17
 Drawing Number:
 MDC-120921

Master Wall Rollershield Drainage EIFS
 Installed over an Dens Glass Gold Substrate

Master Wall Inc.
 Building a Culture of Excellence
 P.O. Box 397 Fortson, GA 31808 800-755-0825 FAX 706-569-0092
 masterwall.com



DESIGN PRESSURE +/- 140psf

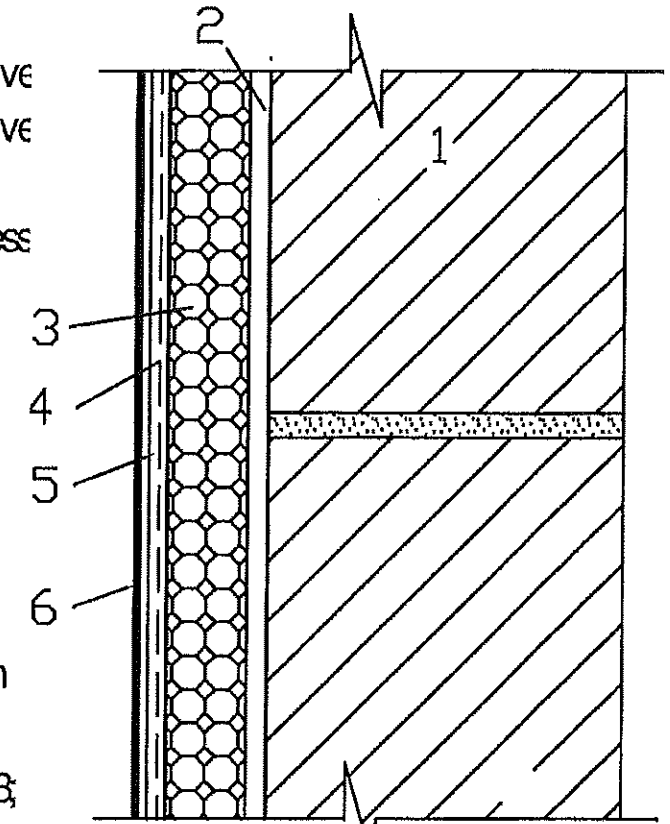
Assembly H140C1EIFS

Material List

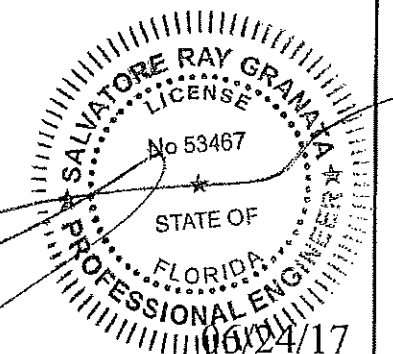
1. C.B.S(CMU) Wall
2. Adhere the expanded polystyrene (EPS) insulation board with Master Wall F&M mixture. The adhesive is applied with a 3/8"x1/2" notched trowel with notches spaced a maximum of 1-1/2' o.c. The adhesive shall be applied to the back side of the EPS in a vertical orientation.
3. Minimum 3/4" thick insulation board meeting Master Wall specifications. Insulation board shall possess a current NOA with Miami Dade County.
4. Master Wall Standard reinforcing mesh, 4.5 oz/sy embedded into the F&M base coat. Lap mesh a minimum of 2-1/2' at all edges.
5. Master Wall F&M Base Coat.
6. Master Wall Superior Finish, 100% acrylic based dirt pickup resistant (DPR) finish.

General Notes

1. This system has been designed in accordance with the Florida Building Code 5th Edition (2014), 6th Edition (2017) and its latest supplements
2. This system has been tested in accordance with Miami Dade County protocols TAS202 and TAS 203; structural and cyclic testing.
3. This system shall be applied by a licensed plastering contractor following this Notice Of Acceptance, the recommendations of Master Wall Inc. and the applicable sections of the Florida Building Code
4. The Engineer and/or Architect of record for each project using this system shall size all stud framing to ensure conformance with stud deflection and stress limitations as required by all governing codes and this document.
5. Insulation boards shall be positioned in a running bond pattern
6. Details on sheets 4 and 5 are typical and show intent to prevent water infiltration into and behind this system. Alternative details and specific conditions not covered by the typical details are the responsibility of the licensed design professionals.



PRODUCT REVISED
 as complying with the Florida
 Building Code
 NOA-No. **17-0313.03**
 Expiration Date **05/30/2022**
 By *[Signature]*
 Miami-Dade Product Control

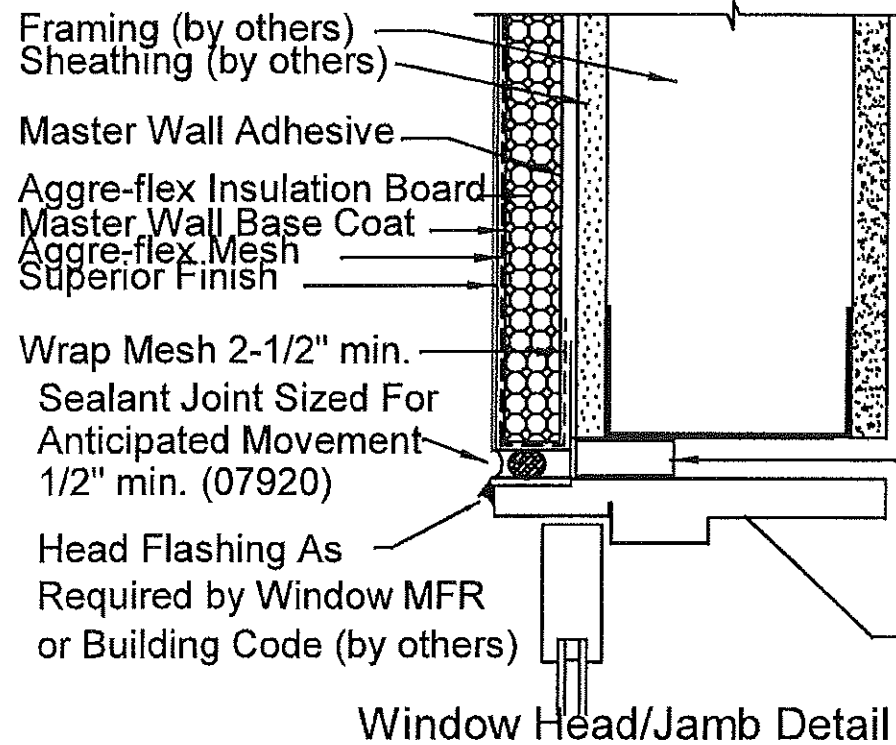


Salvatore R. Granata, P.E., S.E.
 Phone: (678) 387-2151 146 Lee Road 2012 Opelika, AL 36804 Fax: 678-615-4882
 Cell: (770) 301-5817 sal@scope.com
 Toll Free: (877) 546-5126 salv@scope.com

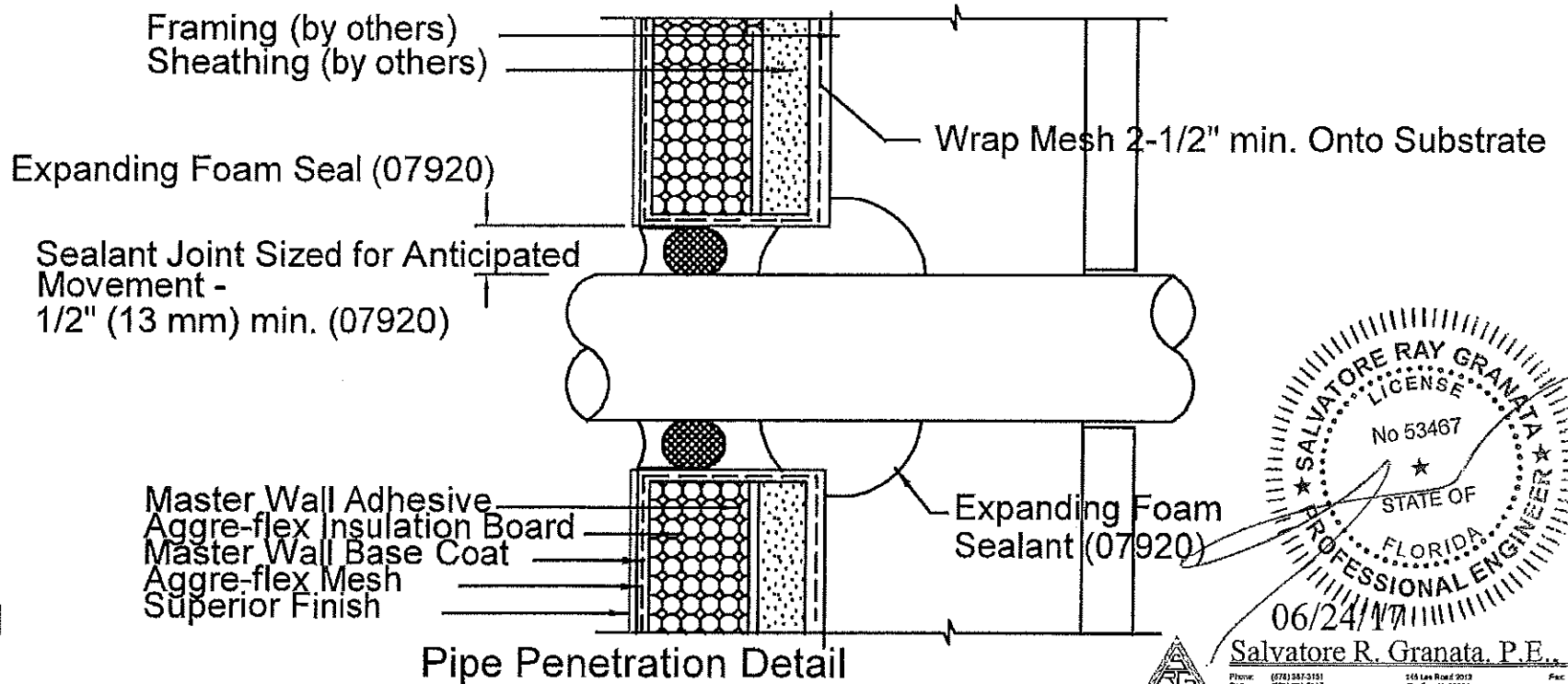
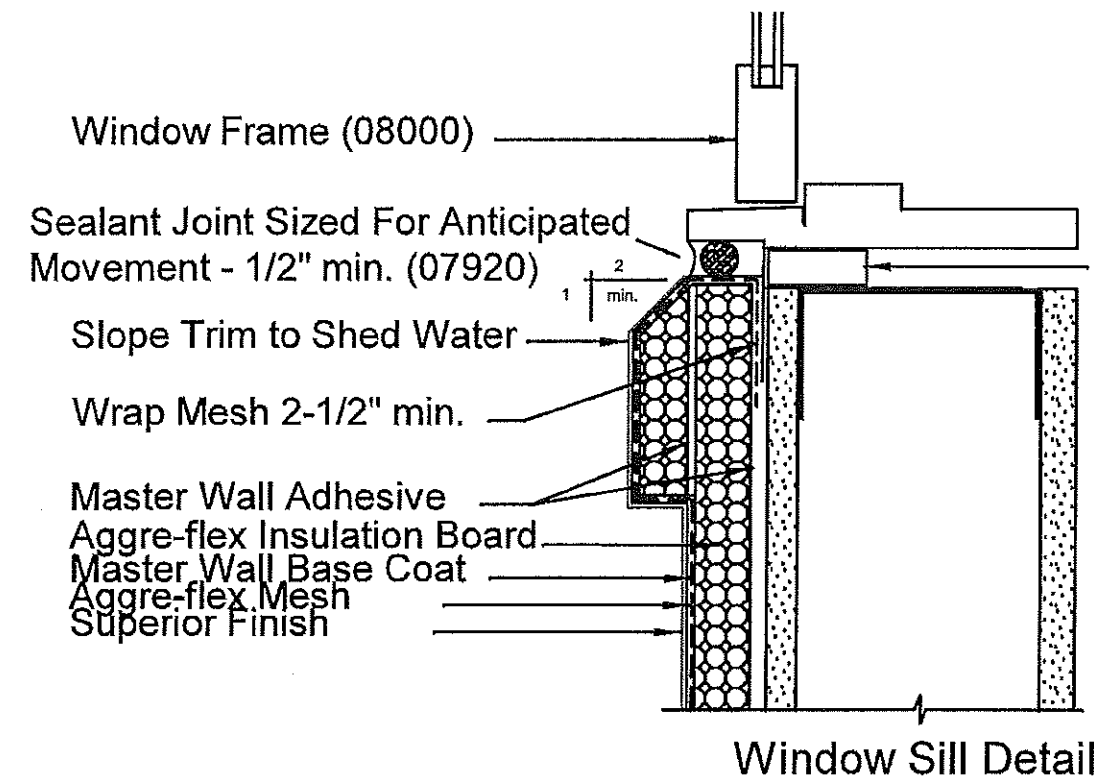
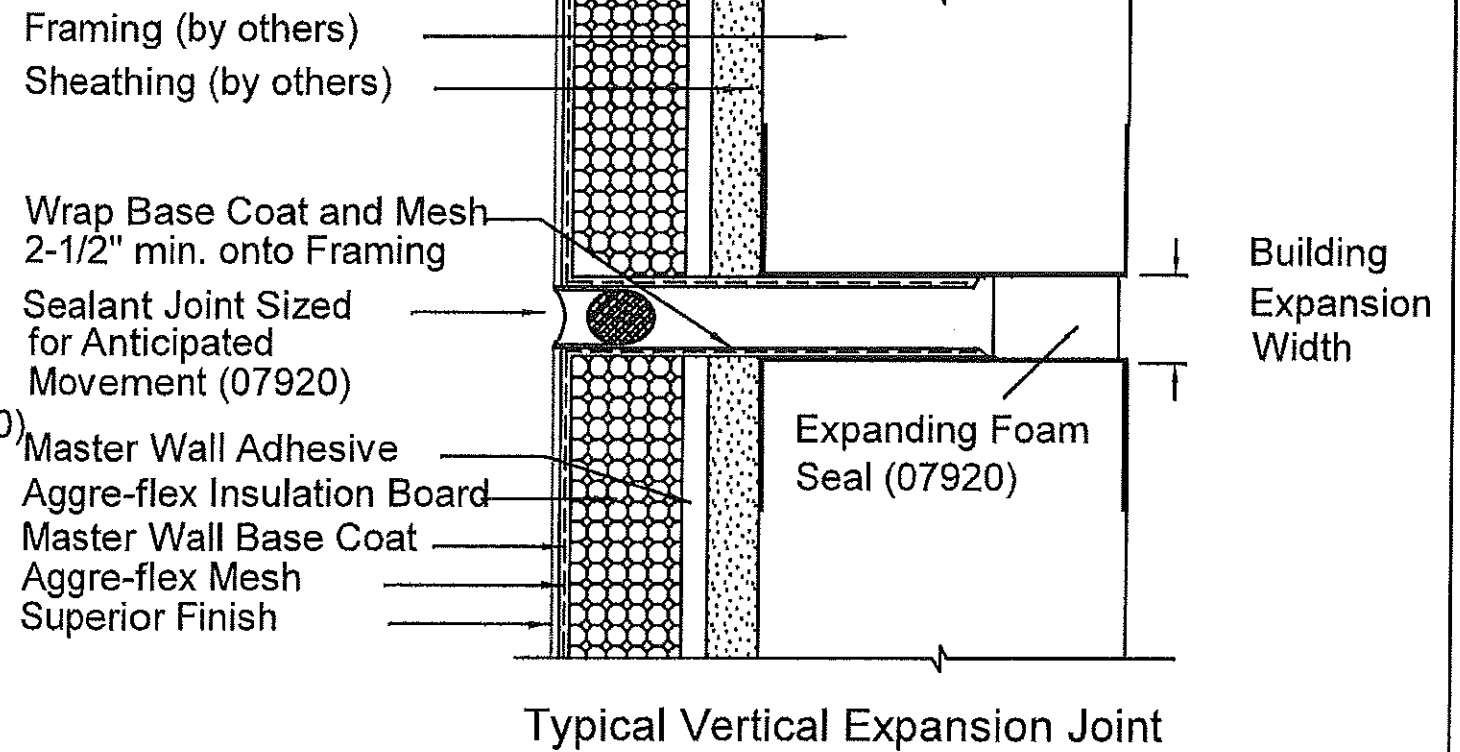
Sheet 3 of 5
 Date Issued: 03/1/17
 Drawing Number:
 MDC-120921

Master Wall Aggre-flex EIFS
 Installed over an Impact-Resistant Substrate
 CMU Substrate

Master Wall Inc.
 Building a Culture of Excellence
 P.O. Box 397 Fortson, GA 31808 800-755-0825 FAX 706-569-0092
 masterwall.com



PRODUCT REVISED
 as complying with the Florida Building Code
 NOA-No. **17-0313.03**
 Expiration Date **05/30/2022**
 By *[Signature]*
 Miami-Trade Product Control



SALVATORE RAY GRANATA
 LICENSE
 No 53467
 STATE OF
 FLORIDA
 PROFESSIONAL ENGINEER
 06/24/17
 Salvatore R. Granata, P.E., S.E.
 Phone: (770) 381-2111
 Cell: (770) 381-5111
 Text/Fax: (770) 44-5126
 115 Lee Road 2012
 Opelika, AL 36864
 Fax: 336-415-4222
 12/20/2016

Sheet 4 of 5
 Date Issued: 03/1/17
 Drawing Number:
 MDC-120921

Master Wall Aggre-flex EIFS
 Assembly Details

Master Wall Inc.
 Building a Culture of Excellence
 P.O. Box 397 Fortson, GA 31808 800-755-0825 FAX 706-569-0092
 masterwall.com

Roof System (07300)

PRODUCT REVISED
 as complying with the Florida
 Building Code
 NOA-No. 17-0313.03
 Expiration Date 05/30/2022
 By [Signature]
 Miami-Dade Product Control

Roof Fascia & Cleat (07620)

Min. 50 mm (2")

Sealant (07920)

Detail Mesh - Wrap 2-1/2" min.
 or run onto substrate/framing

Framing
 (by others)

Sheathing
 (by others)

Superior Finish
 Aggre-flex Mesh
 Master Wall Base Coat
 Aggre-flex Insulation Board
 Master Wall Adhesive

Cap Detail

Sheathing (by others)
 Step Flashing (07300)

Aggre-flex EIFS
 Sealant (07920)

4" min.
 2" min.

Roof Shingles (07300)
 Roof Felt (07300)
 Drip Edge (07300)
 Kick-Out Flashing

Roof Felt - Run up wall 4"
 min. per NRCA (07300)

NOTE:

1. Kickout Flashing Must Be Angled 100 Degrees min. To Allow For Proper Drainage
2. Kick Out Flashing Seams Must Be Soldered or Sealed with Appropriate Sealant.
3. Aggre-flex System Should Cover the Flashing a Minimum of 2" and should end about 1-2" (25-50 mm) Above Roof or in Accordance With Local Requirements

Typical Roof/Wall Intersection

Coping Cap & Cleat (07620)
 Wrap 2-1/2" min. Onto Framing

Min 2" (50 mm)

Sealant (07920)

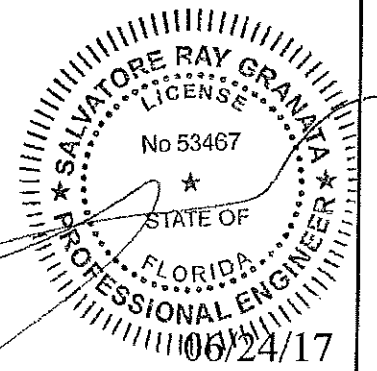
Framing
 (by others)

Sheathing
 (by others)

Roof System (07300)

Superior Finish
 Aggre-flex Mesh
 Master Wall Base Coat
 Aggre-flex Insulation Board
 Master Wall Adhesive

Cap Detail



Salvatore R. Granata, P.E., S.E.

Phone: (878) 387-3151
 Co E: (770) 301-5817
 Toll Free: (877) 345-5128
 146 Lee Road 2012
 Opelika, AL 36804
 Fax: 669-815-4082
 sal@granata.net
 www.granata.com

Sheet 5 of 5
 Date Issued: 03/1/17
 Drawing Number:
 MDC-120921

Master Wall Aggre-flex EIFS
 Assembly Details

Master Wall Inc.
 Building a Culture of Excellence
 P.O. Box 397 Fortson, GA 31808 800-755-0825 FAX 706-569-0092
 masterwall.com