



DEPARTMENT OF REGULATORY AND ECONOMIC RESOURCES (RER)
BOARD AND CODE ADMINISTRATION DIVISION

NOTICE OF ACCEPTANCE (NOA)

MIAMI-DADE COUNTY
PRODUCT CONTROL SECTION
11805 SW 26 Street, Room 208
T (786) 315-2590 F (786) 315-2599
www.miamidade.gov/economy

Labrador & Fundora Corp.
dba V & V Windows
2355 W 4th Avenue
Hialeah, FL 33010-1454

SCOPE:

This NOA is being issued under the applicable rules and regulations governing the use of construction materials. The documentation submitted has been reviewed and accepted by Miami-Dade County RER-Product Control Section to be used in Miami-Dade County and other areas where allowed by the Authority Having Jurisdiction (AHJ).

This NOA shall not be valid after the expiration date stated below. The Miami-Dade County Product Control Section (In Miami-Dade County) and/ or the AHJ (in areas other than Miami-Dade County) reserve the right to have this product or material tested for quality assurance purposes. If this product or material fails to perform in the accepted manner, the manufacturer will incur the expense of such testing and the AHJ may immediately revoke, modify, or suspend the use of such product or material within their jurisdiction. RER reserves the right to revoke this acceptance, if it is determined by Miami-Dade County Product Control Section that this product or material fails to meet the requirements of the applicable building code.

This product is approved as described herein, and has been designed to comply with the Florida Building Code, including the High Velocity Hurricane Zone.

DESCRIPTION: Series "1100" Aluminum Single Hung Window - N.I.

APPROVAL DOCUMENT: Drawing No. **W99-23**, titled "Series 1100 Alum. Single Hung Wdw. (N.I.)", sheets 1 through 4 of 4, dated 03/26/99, with revision "**H**" dated 09/26/17, prepared by Al-Farooq Corporation, signed and sealed by Javad Ahmad, P.E., bearing the Miami-Dade County Product Control Revision stamp with the Notice of Acceptance number and expiration date by the Miami-Dade County Product Control Section.

MISSILE IMPACT RATING: None.

LABELING: Each unit shall bear a permanent label with the manufacturer's name or logo, city, state, series, and following statement: "Miami-Dade County Product Control Approved", unless otherwise noted herein.

RENEWAL of this NOA shall be considered after a renewal application has been filed and there has been no change in the applicable building code negatively affecting the performance of this product.

TERMINATION of this NOA will occur after the expiration date or if there has been a revision or change in the materials, use, and/ or manufacture of the product or process. Misuse of this NOA as an endorsement of any product, for sales, advertising or any other purposes shall automatically terminate this NOA. Failure to comply with any section of this NOA shall be cause for termination and removal of NOA.

ADVERTISEMENT: The NOA number preceded by the words Miami-Dade County, Florida, and followed by the expiration date may be displayed in advertising literature. If any portion of the NOA is displayed, then it shall be done in its entirety.

INSPECTION: A copy of this entire NOA shall be provided to the user by the manufacturer or its distributors and shall be available for inspection at the job site at the request of the Building Official.

This NOA revises NOA No. **15-0310.06** and consists of this page 1 and evidence pages E-1 and E-2, as well as approval document mentioned above.

The submitted documentation was reviewed by **Manuel Perez, P. E.**



MP
12/04/17

NOA No. 17-1011.06
Expiration Date: January 05, 2021
Approval Date: December 07, 2017
Page 1

NOTICE OF ACCEPTANCE: EVIDENCE SUBMITTED

1. EVIDENCE SUBMITTED UNDER PREVIOUS NOA's

A. DRAWINGS

1. Manufacturer's die drawings and sections.
(Submitted under NOA's No. 05-1021.02 and 00-0609.10)
2. Drawing No. **W99-23**, titled "Series 1100 Alum. Single Hung Wdw. (N.I.)", sheets 1 through 4 of 4, dated 03/26/99, with revision "G" dated 08/12/15, prepared by Al-Farooq Corporation, signed and sealed by Javad Ahmad, P. E.

B. TESTS

1. Test reports on:
 - 1) Air Infiltration Test, per FBC, TAS 202-94
 - 2) Uniform Static Air Pressure Test, Loading per FBC, TAS 202-94
 - 3) Water Resistance Test, per FBC, TAS 202-94
 - 4) Forced Entry Test, Type "A" window, Grade 10, per FBC 2411.3.2.1, and TAS 202-94along with marked-up drawings and installation diagram of single hung window, prepared by American Test Lab of South Florida, Inc., Test Report No. **ATLSF-0408.01-05**, dated 09/27/05, signed and sealed by William R. Mehner, P. E.
(Submitted under NOA No. 05-1021.02)
2. Test reports on:
 - 1) Air Infiltration Test, per PA 202-94
 - 2) Uniform Static Air Pressure Test, Loading per PA 202-94
 - 3) Water Resistance Test, per PA 202-94
 - 4) Forced Entry Test, per PA 202-94along with marked-up drawings and installation diagram of single hung window, prepared by Hurricane Engineering & Testing, Inc., Test Reports No.'s **HETI-99-1146** and **HETI-99-1147**, dated 11/03/99, all signed and sealed by Hector M. Medina, P. E.
(Submitted under NOA No. 00-0609.10)

C. CALCULATIONS

1. Anchor verification calculations and structural analysis, complying with **FBC 5th Edition (2014)**, dated 02/06/15 and revised on 08/11/15, prepared by Al-Farooq Corporation, signed and sealed by Javad Ahmad, P.E.
2. **Glazing complies with ASTM E1300-09**

D. QUALITY ASSURANCE

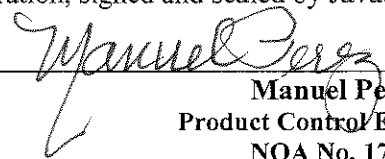
1. Miami-Dade Department of Regulatory and Economic Resources (RER).

E. MATERIAL CERTIFICATIONS

1. None.

F. STATEMENTS

1. Statement letter of conformance, complying with **FBC 5th Edition (2014)** and of no financial interest, dated 02/17/15, issued by Al-Farooq Corporation, signed and sealed by Javad Ahmad, P.E.



Manuel Perez, P.E.
Product Control Examiner
NOA No. 17-1011.06

Expiration Date: January 05, 2021
Approval Date: December 07, 2017

Labrador & Fundora Corp. dba V & V Windows

NOTICE OF ACCEPTANCE: EVIDENCE SUBMITTED

2. Laboratory compliance letter for Test Report No. **ATLSF-0408.01-05**, issued by American Test Lab of South Florida, Inc., dated 09/27/05, signed and sealed by William R. Mehner, P. E. *(Submitted under NOA No. 05-1021.027)*
3. Laboratory compliance letter for Test Reports No.'s **HETI-99-1146** and **HETI-99-1147**, issued by Hurricane Engineering & Testing, Inc., dated 11/03/99, all signed and sealed by Hector M. Medina, P.E. *(Submitted under NOA No. 00-0609.10)*

G. OTHERS

1. Notice of Acceptance No. **12-0306.05**, issued to Labrador & Fundora Corp. dba V & V Windows for their Series "1100" Aluminum Single Hung Window - N.I., approved on 05/10/12 and expiring on 01/05/16.

2. NEW EVIDENCE SUBMITTED

A. DRAWINGS

1. Drawing No. **W99-23**, titled "Series 1100 Alum. Single Hung Wdw. (N.I.)", sheets 1 through 4 of 4, dated 03/26/99, with revision "**H**" dated 09/26/2017, prepared by Al-Farooq Corporation, signed and sealed by Javad Ahmad, P. E.

B. TESTS

1. None.

C. CALCULATIONS

1. None.

D. QUALITY ASSURANCE

1. Miami-Dade Department of Regulatory and Economic Resources (RER).

E. MATERIAL CERTIFICATIONS

1. None.

F. STATEMENTS

1. Statement letter of conformance, complying with **FBC 5th Edition (2014)**, with **FBC 6th Edition (2017)**, and of no financial interest, dated September 15, 2017, prepared by Al-Farooq Corporation, signed and sealed by Javad Ahmad, P.E.

G. OTHERS

1. Notice of Acceptance No. **15-0310.06**, issued to Labrador & Fundora Corp. dba V & V Windows for their Series "1100" Aluminum Single Hung Window - N.I., approved on 08/27/15 and expiring on 01/05/21.


Manuel Perez, P.E.

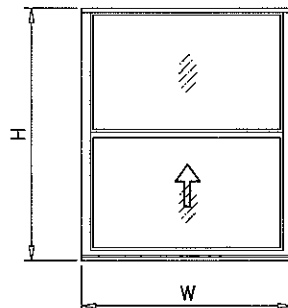
Product Control Examiner
NOA No. 17-1011.06

Expiration Date: January 05, 2021

Approval Date: December 07, 2017

EQUAL LITES WINDOWS DESIGN LOAD CAPACITY - PSF						
WINDOW DIMS.		3/16" ANN. GLASS		3/16" TEMP. GLASS		
WIDTH (W)	HEIGHT (H)	EXT.(+)	INT.(-)	EXT.(+)	INT.(-)	
19-1/8"	26"	65.0	90.0	65.0	90.0	
26-1/2"		65.0	90.0	65.0	90.0	
37"		65.0	90.0	65.0	90.0	
42"		(4)	65.0	90.0	65.0	90.0
48"		65.0	90.0	65.0	90.0	
53-1/8"	38-3/8"	65.0	90.0	65.0	90.0	
19-1/8"		65.0	90.0	65.0	90.0	
26-1/2"		65.0	90.0	65.0	90.0	
37"		65.0	90.0	65.0	90.0	
42"		(5)	65.0	90.0	65.0	90.0
48"	65.0	87.1	65.0	90.0		
53-1/8"	50-5/8"	65.0	90.0	65.0	90.0	
19-1/8"		65.0	90.0	65.0	90.0	
26-1/2"		65.0	90.0	65.0	90.0	
37"		65.0	90.0	65.0	90.0	
42"		(6)	65.0	86.4	65.0	90.0
48"	65.0	71.7	65.0	90.0		
53-1/8"	60"	62.6	62.6	65.0	81.4	
19-1/8"		65.0	90.0	65.0	90.0	
26-1/2"		65.0	90.0	65.0	90.0	
37"		65.0	90.0	65.0	90.0	
42"		(7)	65.0	79.2	65.0	90.0
48"	64.8	64.8	65.0	84.2		
53-1/8"	63"	56.1	56.1	65.0	72.9	
19-1/8"		65.0	90.0	65.0	90.0	
26-1/2"		65.0	90.0	65.0	90.0	
37"		65.0	90.0	65.0	90.0	
42"		(7)	65.0	77.6	65.0	90.0
48"	63.2	63.2	65.0	82.1		
53-1/8"	74-1/4"	54.5	54.5	65.0	70.8	
19-1/8"		65.0	90.0	65.0	90.0	
26-1/2"		65.0	90.0	65.0	90.0	
37"		65.0	82.0	65.0	90.0	
42"		(8)	65.0	73.7	65.0	90.0
48"	58.7	58.7	65.0	76.3		
53-1/8"	50.0	50.0	65.0	65.0		

* NO. IN PARENTHESIS INDICATE NO. OF ANCHORS PER JAMB.



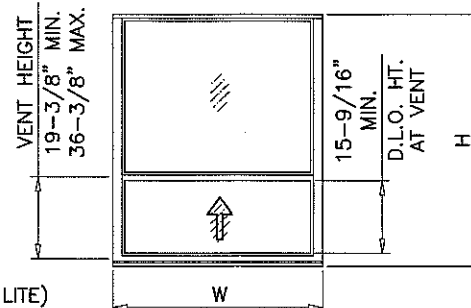
EQUAL LITES

DLO: EQUAL LITES
DLO HT. = WDW. HT/2 - 3.625
DLO W = WDW. W - 3.625

NOTE:
GLASS CAPACITIES ON THIS SHEET ARE BASED ON ASTM E1300-09 (3 SEC. GUSTS) AND FLORIDA BUILDING COMMISSION DECLARATORY STATEMENT DCA05-DEC-219

UNEQUAL LITES (ORIEL TYPES) WINDOWS DESIGN LOAD CAPACITY - PSF						
WINDOW DIMS.		3/16" ANN. GLASS		3/16" TEMP. GLASS		
WIDTH (W)	HEIGHT (H)	EXT.(+)	INT.(-)	EXT.(+)	INT.(-)	
19-1/8"	50-5/8"	65.0	90.0	65.0	90.0	
26-1/2"		65.0	90.0	65.0	90.0	
37"		65.0	90.0	65.0	90.0	
42"		(6)	65.0	85.9	65.0	90.0
48"		65.0	72.6	65.0	90.0	
53-1/8"	60"	63.1	63.2	65.0	82.8	
19-1/8"		65.0	90.0	65.0	90.0	
26-1/2"		65.0	90.0	65.0	90.0	
37"		65.0	77.1	65.0	90.0	
42"		(7)	65.0	68.2	65.0	90.0
48"	61.4	61.7	65.0	89.3		
53-1/8"	63"	65.0	90.0	65.0	90.0	
19-1/8"		65.0	90.0	65.0	90.0	
26-1/2"		65.0	90.0	65.0	90.0	
37"		65.0	72.6	65.0	90.0	
42"		(7)	64.0	64.3	65.0	90.0
48"	74-1/4"	65.0	90.0	65.0	90.0	
19-1/8"		65.0	90.0	65.0	90.0	
26-1/2"		(8)	65.0	70.5	65.0	90.0

* NO. IN PARENTHESIS INDICATE NO. OF ANCHORS PER JAMB.



UNEQUAL LITES

DLO: ORIEL SIZES
DLO HT. = WDW. HT-VENT DLO HT-7.250 (FIX LITE)
DLO W = WDW. W - 3.625

SERIES 1100 ALUMINUM SINGLE HUNG WINDOW

DESIGN LOAD RATINGS FOR THESE WINDOWS TO BE AS PER CHARTS SHOWN ABOVE.

APPROVAL APPLIES TO SINGLE UNITS OR SIDE BY SIDE COMBINATIONS OF S.H./S.H. OR SINGLE HUNG WITH OTHER WINDOW TYPES IN MODULES OF TWO OR MORE WINDOWS USING MIAMI-DADE COUNTY APPROVED MULLIONS IN BETWEEN. LOWER DESIGN PRESSURE FROM WINDOWS OR MULLION APPROVAL WILL APPLY TO ENTIRE SYSTEM.

THIS PRODUCT HAS BEEN DESIGNED AND TESTED TO COMPLY WITH THE REQUIREMENTS OF THE 2014 (5TH EDITION)/2017 (6TH EDITION) FLORIDA BUILDING CODE INCLUDING HIGH VELOCITY HURRICANE ZONE (HVHZ).

1BY OR 2BY WOOD BUCKS & BUCK FASTENERS BY OTHERS, MUST BE DESIGNED AND INSTALLED ADEQUATELY TO TRANSFER APPLIED PRODUCT LOADS TO THE BUILDING STRUCTURE.

ANCHORS SHALL BE CORROSION RESISTANT, SPACED AS SHOWN ON DETAILS AND INSTALLED PER MANUF'S INSTRUCTIONS. SPECIFIED EMBEDMENT TO BASE MATERIAL SHALL BE BEYOND WALL DRESSING OR STUCCO.

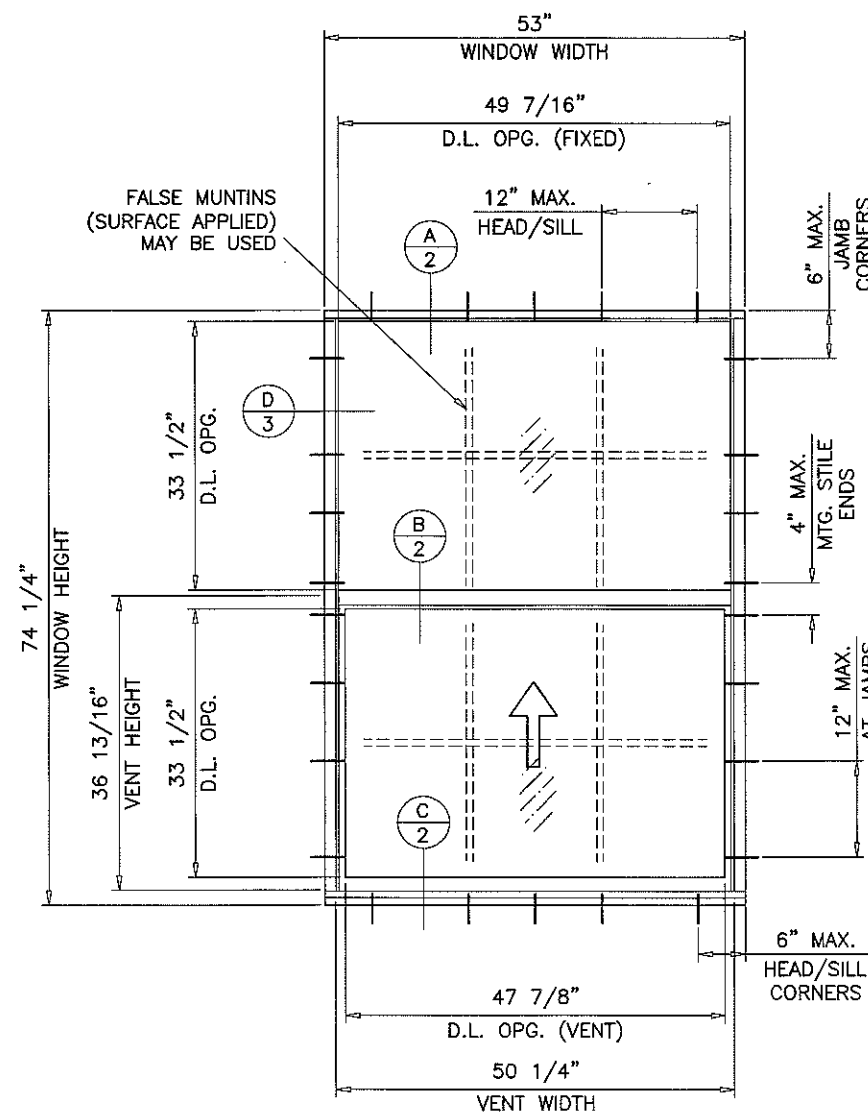
A LOAD DURATION INCREASE IS USED IN DESIGN OF ANCHORS INTO WOOD ONLY.

ALL SHIMS TO BE HIGH IMPACT, NON-METALLIC AND NON-COMPRESSIBLE.

MATERIALS INCLUDING BUT NOT LIMITED TO STEEL/METAL SCREWS, THAT COME INTO CONTACT WITH OTHER DISSIMILAR MATERIALS SHALL MEET THE REQUIREMENTS OF THE 2014/2017 FLORIDA BLDG. CODE & ADOPTED STANDARDS.

THIS PRODUCT APPROVAL IS GENERIC AND DOES NOT PROVIDE INFORMATION FOR A SITE SPECIFIC PROJECT, I.E. LIFE SAFETY OF THIS PRODUCT, ADEQUACY OF STRUCTURE RECEIVING THIS PRODUCT AND SEALING AROUND OPENING FOR WATER INFILTRATION RESISTANCE ETC.

CONDITIONS NOT SHOWN IN THIS DRAWING ARE TO BE ANALYZED SEPARATELY, AND TO BE REVIEWED BY BUILDING OFFICIAL.



TYPICAL ELEVATION

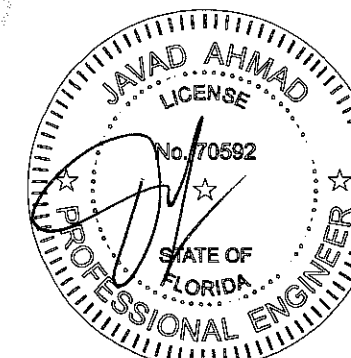
TESTED UNIT

WINDOWS NOT RATED FOR IMPACT.

INSTALLATION OF THIS PRODUCT IN THE HVHZ AREA REQUIRES THE USE OF APPROVED SHUTTERS OR EXTERNAL PROTECTION DEVICES COMPLYING WITH HVHZ REQUIREMENTS.

INSTALLATION OF THIS SYSTEM OUTSIDE THE HVHZ AREA SHALL MEET THE APPLICABLE REQUIREMENTS FOR WIND BORNE DEBRIS PROTECTION.

PRODUCT REVISED
as complying with the Florida
Building Code
Acceptance No. 17-1011.06
Expiration Date Jan 5, 2021
By Manuel Perez
Miami Dade Product Control



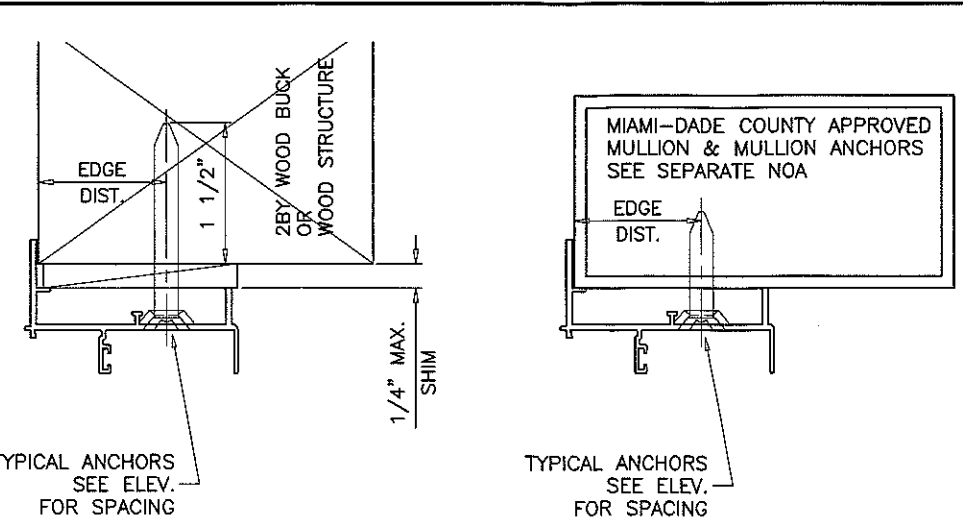
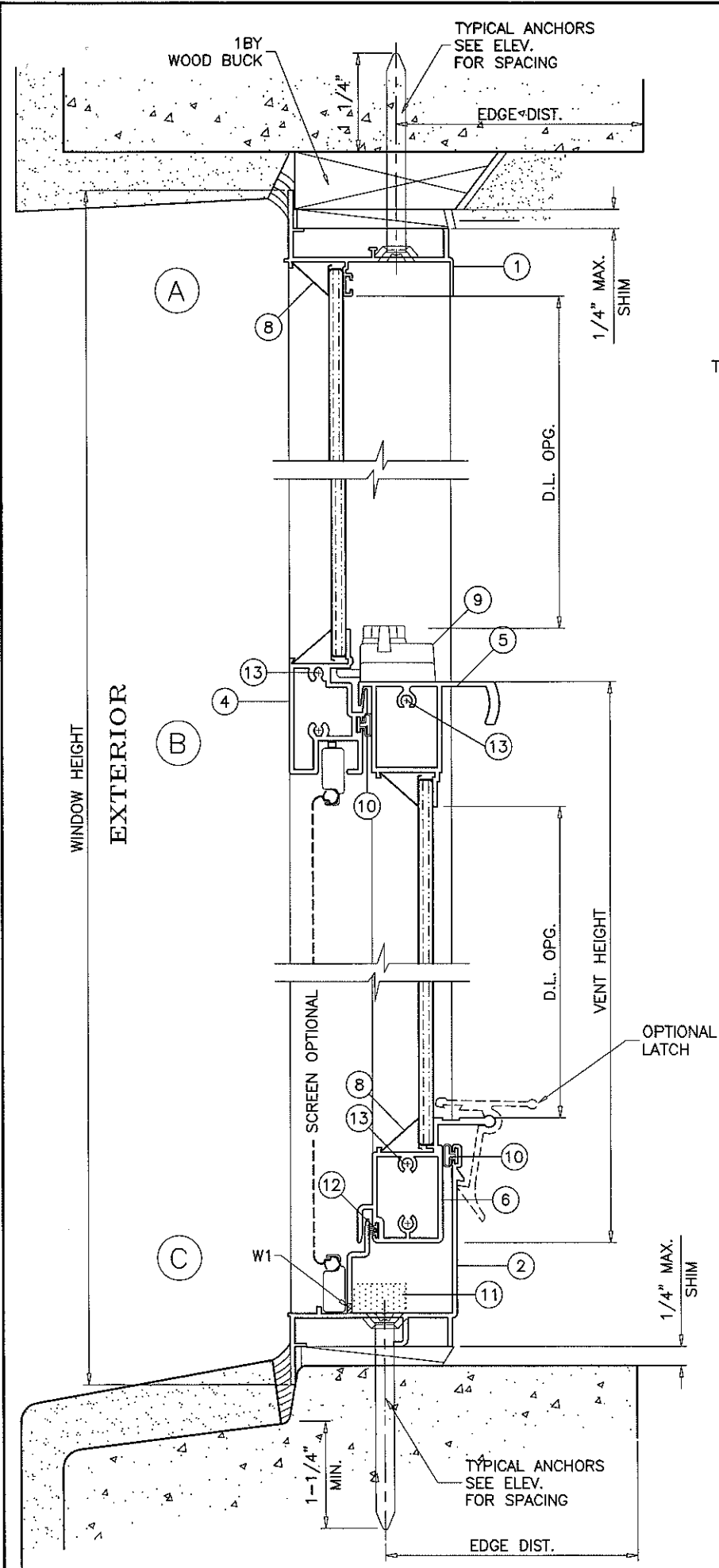
af c
AL-FAROOQ CORPORATION
ENGINEERS & PRODUCT DEVELOPMENT
9360 SUNSET DRIVE, SUITE 220
MIAMI, FLORIDA 33173 (C.A.N. 3638)
TEL. (305) 262-6978 FAX. (305) 262-6978
COMP-ANL W99-23W

SERIES 1100 ALUM SINGLE HUNG WDW. (N.I.)
Labrador & Fundora Corp.
dba - V & V Windows
2355 West 4th Ave.
Hialeah, Fl. 33010
TEL. (305) 888-4151 FAX. (305) 888-1042

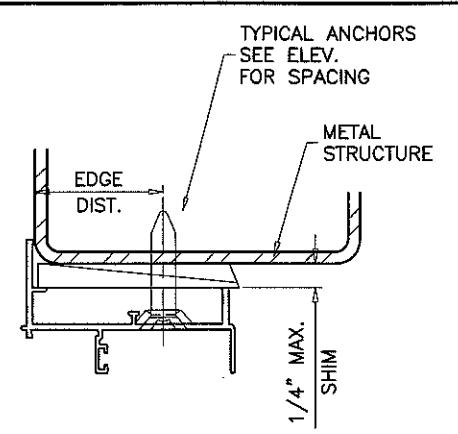
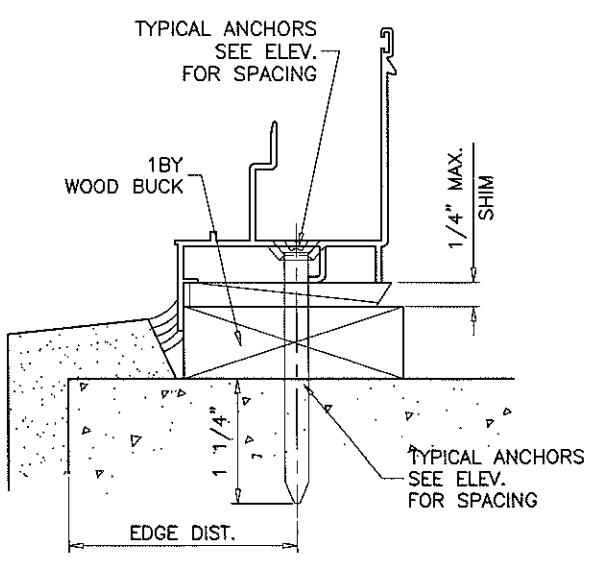
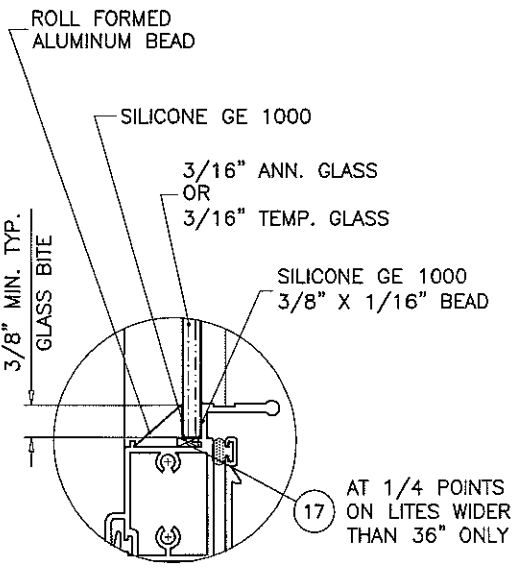
no	date	by	description
E	02.08.12		UPDATED TO 2010 FBC
F	02.10.15		UPDATED TO 2014 FBC
G	08.12.15		REV. PER RER COMMENTS
H	09.26.17		UPDATED TO 2017 FBC

date:	03-26-99
scale:	1/2" = 1'-0"
dr. by:	TARIQ
chk. by:	

drawing no.
W99-23
sheet 1 of 4



WOOD BUCKS AND METAL STRUCTURE NOT BY V&V WDWs. MUST SUSTAIN LOADS IMPOSED BY GLAZING SYSTEM AND TRANSFER THEM TO THE BUILDING STRUCTURE.



TYPICAL ANCHORS: SEE ELEV. FOR SPACING
 1/4" DIA. ULTRACON BY 'ELCO' (Fu=177 KSI, Fy=155 KSI) INTO 2BY WOOD BUCKS OR WOOD STRUCTURES
 1-1/2" MIN. PENETRATION INTO WOOD (HEAD/SILL/JAMBS) THRU 1BY BUCKS INTO CONC. OR BLOCKS
 1-1/4" MIN. EMBED INTO CONCRETE (HEAD/SILL/JAMBS)
 1-1/4" MIN. EMBED INTO BLOCKS (JAMBS)
 DIRECTLY INTO CONCRETE OR BLOCKS
 1-1/4" MIN. EMBED INTO CONCRETE (HEAD/SILL/JAMBS)
 1-1/4" MIN. EMBED INTO BLOCKS (JAMBS)

#14 SMS OR SELF DRILLING SCREWS (GRADE 2 CRS) INTO MIAMI-DADE COUNTY APPROVED MULLIONS OR INTO METAL STRUCTURES (HEAD/SILL/JAMBS)
 (3) THREADS MIN. PENETRATION BEYOND SUBSTRATE
 ALUMINUM: 1/8" THK. MIN. (6063-T5 MIN.)
 STEEL: 1/8" THK. MIN. (Fy = 36 KSI MIN.)
 (STEEL IN CONTACT WITH ALUMINUM TO BE PLATED OR PAINTED)

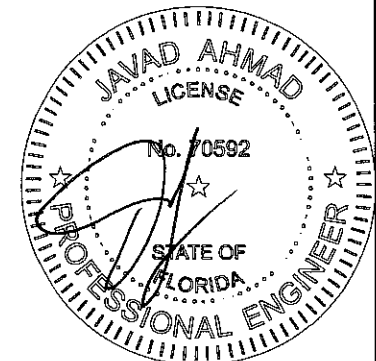
TYPICAL EDGE DISTANCE
 INTO CONCRETE AND MASONRY = 2-1/2" MIN.
 INTO WOOD STRUCTURE = 1" MIN.
 INTO METAL STRUCTURE = 3/4" MIN.

WOOD AT HEAD, SILL OR JAMBS SG = 0.55 MIN.
 CONCRETE AT HEAD, SILL OR JAMBS f'c = 3000 PSI MIN. C-90
 HOLLOW/FILLED NORMAL WEIGHT BLOCK AT JAMBS f'm = 2000 PSI MIN.

SEALANTS:
 ALL JOINTS AND FRAME CONNECTIONS SEALED WITH PTI SILICONE.

WEEPHOLES:
 W1 = (2) 1/8" X 1/4" WEEP SLOTS AT 1-1/4" FROM EACH END

PRODUCT REVISED as complying with the Florida Building Code
 Acceptance No. 17-1011.06
 Expiration Date Jan 5, 2021
 By Manuel Perez
 Miami Dade Product Control



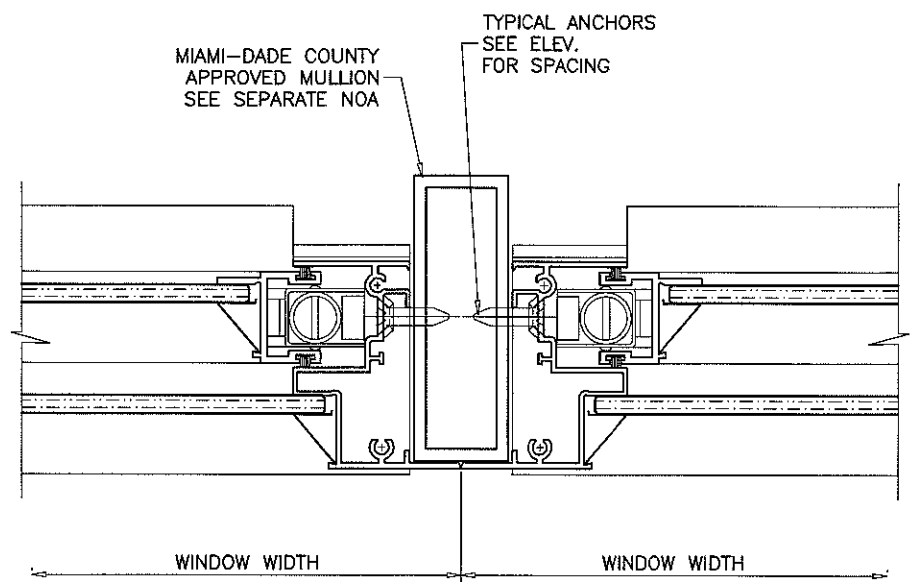
af c
AL-FAROOQ CORPORATION
 ENGINEERS & PRODUCT DEVELOPMENT
 9360 SUNSET DRIVE, SUITE 220
 MIAMI, FLORIDA 33173 (C.A.N. 3638)
 TEL. (305) 264-8100 FAX. (305) 264-8100
 COMP-ANL\W99-23W

SERIES 1100 ALUM SINGLE HUNG WDW. (N.I.)
 Labrador & Fundora Corp.
 dba-V & V Windows
 2355 West 4th Ave.
 Hialeah, Fl. 33010
 TEL. (305) 888-4151 FAX. (305) 888-1042

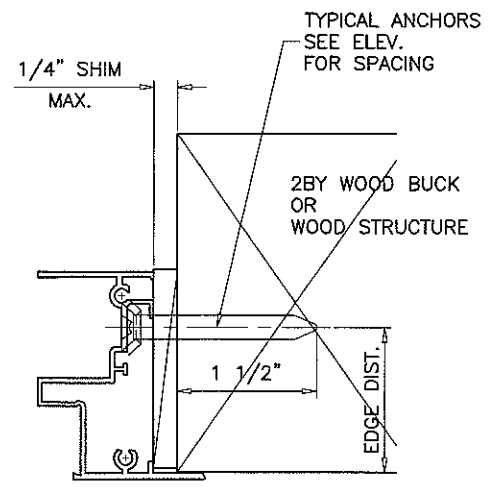
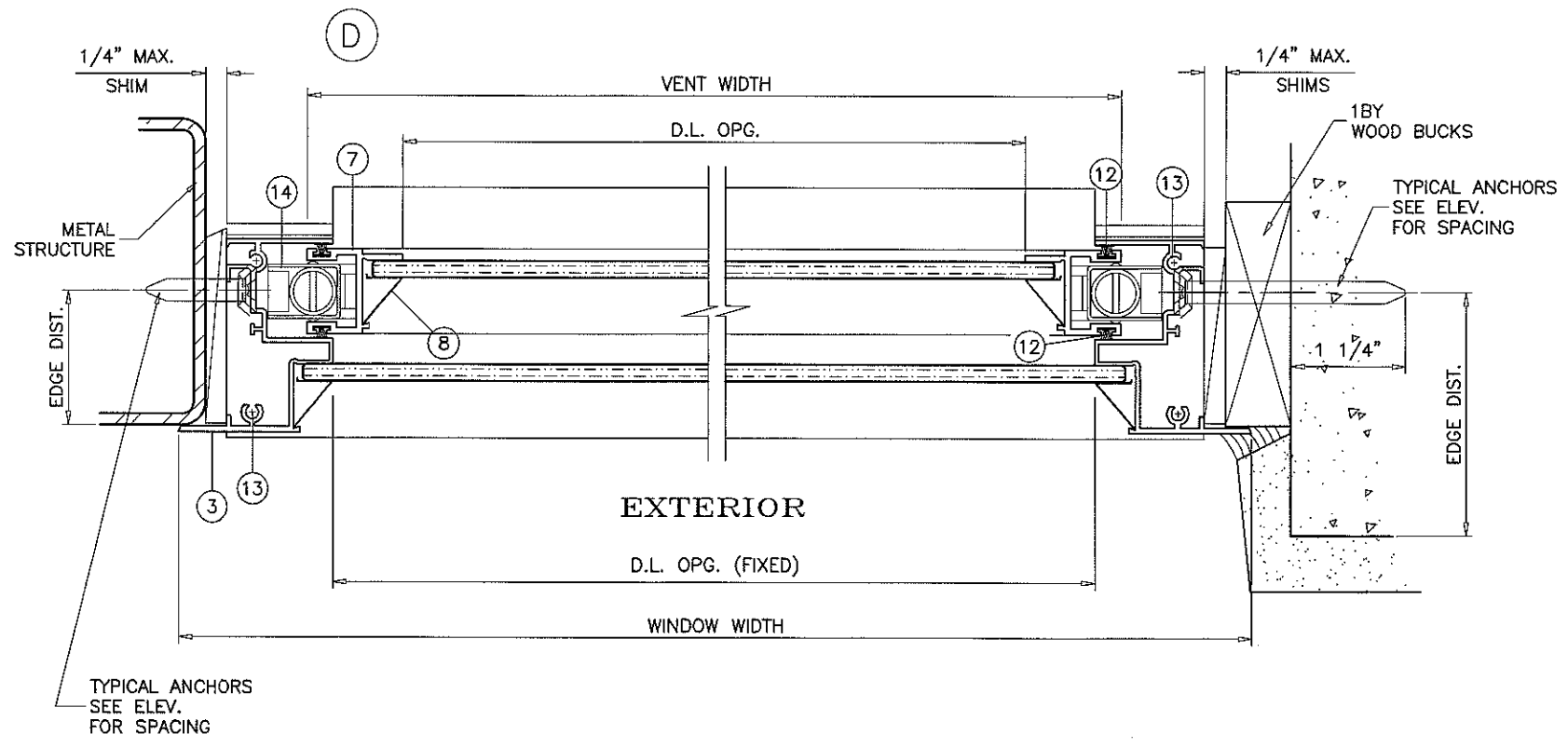
revisions:	no	date	by	description
	E	02.09.12		NO CHANGE THIS SHEET
	F	02.10.15		UPDATED TO 2014 FBC
	G	08.12.15		REV. PER RER COMMENTS
	H	09.26.17		UPDATED TO 2017 FBC

date: 03-26-99
 scale: 1/2" = 1"
 dr. by: TARIQ
 chk. by:

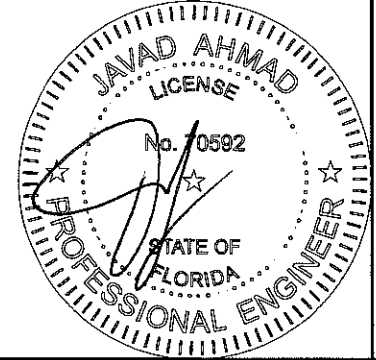
drawing no.
W99-23
 sheet 2 of 4



ITEM #	PART #	REQD.	DESCRIPTION	MATERIAL	MANF./SUPPLIER/REMARKS
1	VW-4129A	1	FRAME HEAD	6063-T6	-
2	VW-4135	1	FRAME SILL	6063-T6	-
3	VW-4132	2	FRAME JAMB	6063-T6	-
4	V-1001	1	FIXED MTG. RAIL	6063-T6	-
5	VW-002	1	VENT TOP RAIL	6063-T6	-
6	VW-4136	1	VENT BOTTOM RAIL	6063-T6	-
7	VW-4133	2	VENT JAMB	6063-T6	-
8	-	AS REQD.	GLAZING BEAD	ALUMINUM	ROLL FORMED
9	-	2/VENT	VENT LATCH @ 7 1/4" FROM ENDS	ZINC DIE CAST	SECURED WITH (2) #8 X 3/4" PH SMS
10	-	1	BULB W'STRIPPING	VINYL	-
11	-	1/	WEEP	OPEN CELL FOAM	-
12	-	AS REQD.	PILE W'STRIPPING	-	SCHLEGEL FIN SEAL OR EQUIV.
13	-	AS REQD.	ASSEMBLY SCREWS	-	#8 x 1" P.H. CRS SMS
14	-	2	BLOCK & TACKLE BALANCE	-	5/8" BOX, BALANCE SYSTEMS INC. OR EQ.
15	-	2	BALANCE TOP GUIDE (NOT SHOWN)	ALUMINUM	@ VENT TOP SECURED W/ (1) #8 X 1" SMS
16	-	2	VENT STOP (NOT SHOWN)	VINYL	LOCATED AT TOP OF EACH JAMB
17	-	AS REQD.	SETTING BLOCKS	EPDM	DUROMETER 80±5 SHORE A



PRODUCT REVISED
 as complying with the Florida
 Building Code
 Acceptance No. 17-1011-06
 Expiration Date Jan. 5, 2021
 By *Manuel Perez*
 Miami Dade Product Control

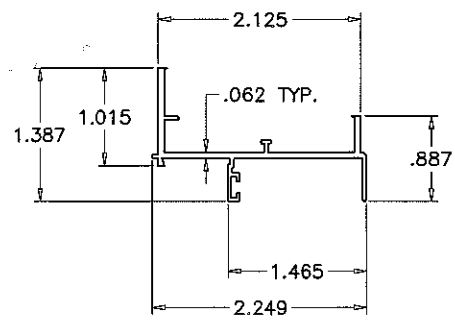


afC
AL-FAROOQ CORPORATION
 ENGINEERS & PRODUCT DEVELOPMENT
 9360 SUNSET DRIVE, SUITE 220
 MIAMI, FLORIDA 33173 (C.A.N. 3538)
 TEL. (305) 262-6978 FAX. (305) 264-8100
 COMP-ANL\W99-23W

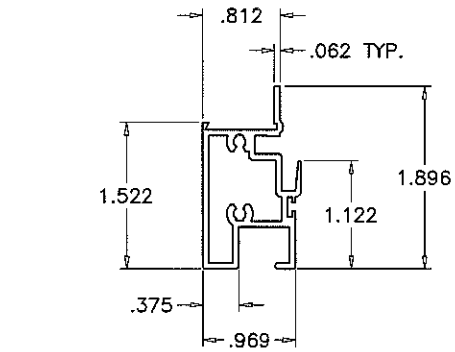
SERIES 1100 ALUM SINGLE HUNG WDW. (N.I.)
 Labrador & Fundora Corp.
 dba-V & V Windows
 2355 West 4th Ave.
 Hialeah, Fl. 33010
 TEL. (305) 888-4151 FAX. (305) 888-1042

no	date	by	description
E	02.09.12		NO CHANGE THIS SHEET
F	02.10.15		UPDATED TO 2014 FBC
G	08.12.15		NO CHANGE THIS SHEET
H	09.26.17		UPDATED TO 2017 FBC

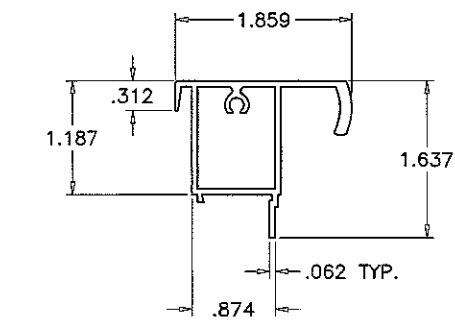
date: 03-26-99
 scale: 1/2" = 1"
 dr. by: TARIQ
 chk. by:
 drawing no.
W99-23
 sheet 3 of 4



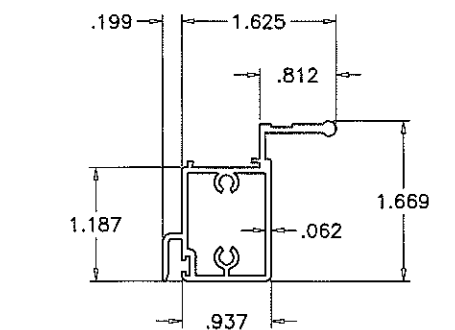
① FRAME HEAD



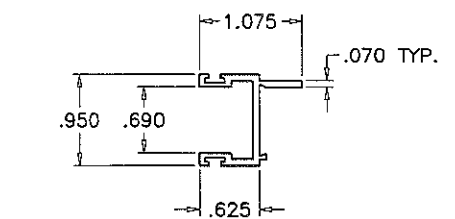
④ FIXED MEETING RAIL



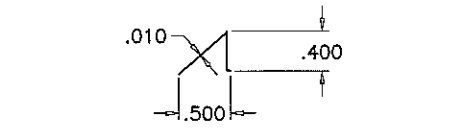
⑤ VENT TOP RAIL



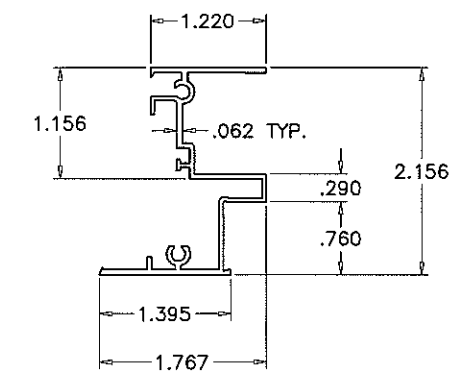
⑥ VENT BOTTOM RAIL



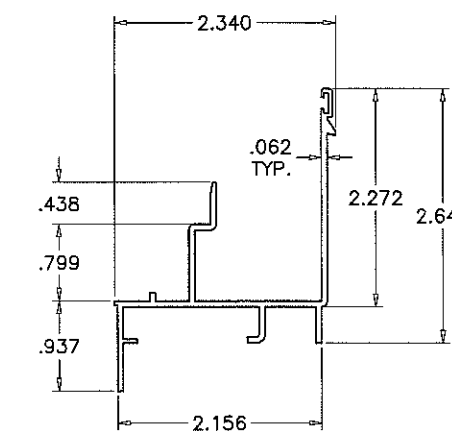
⑦ SASH SIDE RAIL



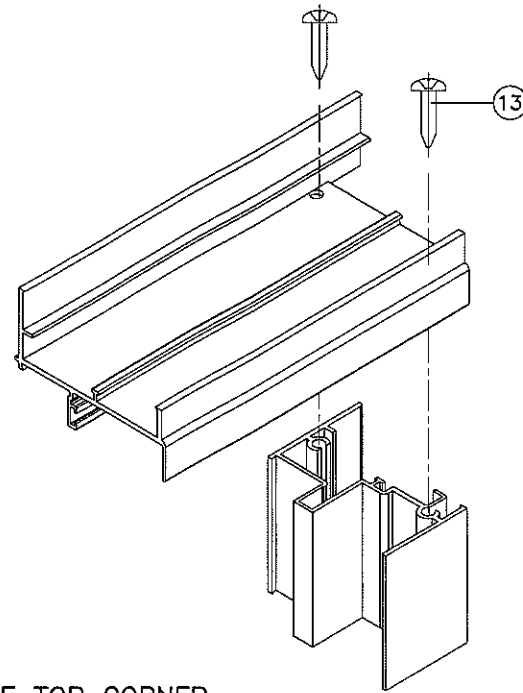
⑧ GLAZING BEAD



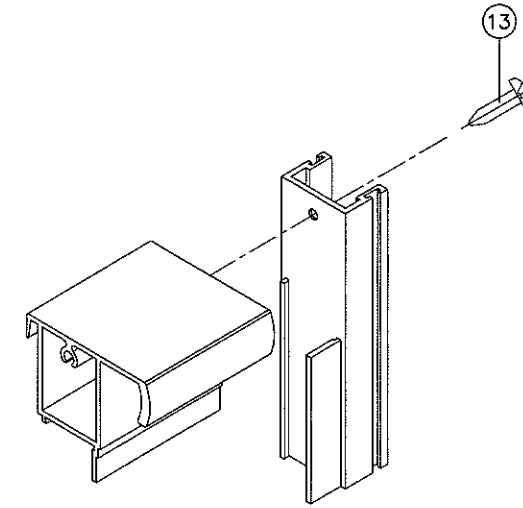
③ FRAME JAMB



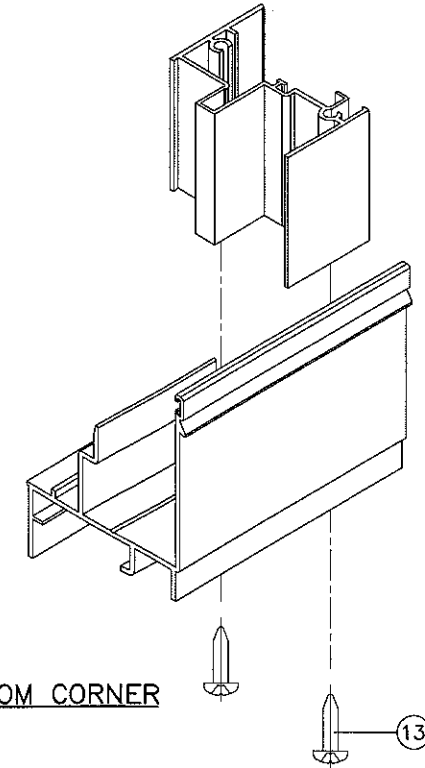
② FRAME SILL



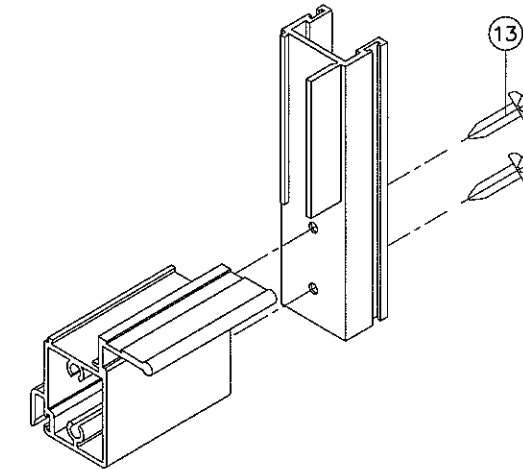
FRAME TOP CORNER



VENT TOP CORNER

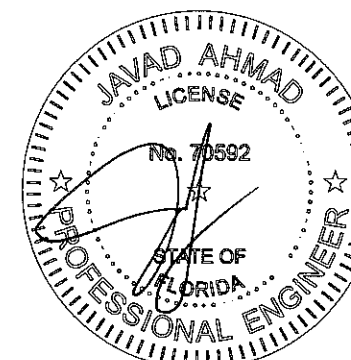


FRAME BOTTOM CORNER



VENT BOTTOM CORNER

PRODUCT REVISED
 as complying with the Florida
 Building Code
 Acceptance No. 17-1011.06
 Expiration Date Jan 5, 2021
 By *Manuel Perez*
 Miami Dade Product Control



af c
AL-FAROOQ CORPORATION
 ENGINEERS & PRODUCT DEVELOPMENT
 9360 SUNSET DRIVE, SUITE 220 (C.A.N. 3638)
 MIAMI, FLORIDA 33173
 TEL. (305) 264-8100 FAX. (305) 262-6978
 COMP-ANL \ W99-23W

SERIES 1100 ALUM SINGLE HUNG WDW. (N.I.)
 Labrador & Fundora Corp.
 dba-V & V Windows
 2355 West 4th Ave.
 Hialeah, Fl. 33010
 TEL. (305) 888-4151 FAX. (305) 888-1042

no	date	by	description
E	02.09.12		NO CHANGE THIS SHEET
F	02.10.15		NO CHANGE THIS SHEET
G	08.12.15		NO CHANGE THIS SHEET
H	09.26.17		UPDATED TO 2017 FBC

date: 03-26-99
 scale: 1/2" = 1"
 dr. by: TARIQ
 chk. by:

drawing no.
W99-23
 sheet 4 of 4