



DEPARTMENT OF REGULATORY AND ECONOMIC RESOURCES (RER)  
BOARD AND CODE ADMINISTRATION DIVISION

MIAMI-DADE COUNTY  
PRODUCT CONTROL SECTION  
11805 SW 26 Street, Room 208  
T (786) 315-2590 F (786) 315-2599  
[www.miamidade.gov/economy](http://www.miamidade.gov/economy)

**NOTICE OF ACCEPTANCE (NOA)**

Eco Window Systems, LLC  
8502 NW 80 Street  
Medley, FL 33166

**SCOPE:**

This NOA is being issued under the applicable rules and regulations governing the use of construction materials. The documentation submitted has been reviewed and accepted by Miami-Dade County RER - Product Control Section to be used in Miami-Dade County and other areas where allowed by the Authority Having Jurisdiction (AHJ).

This NOA shall not be valid after the expiration date stated below. The Miami-Dade County Product Control Section (In Miami-Dade County) and/or the AHJ (in areas other than Miami-Dade County) reserve the right to have this product or material tested for quality assurance purposes. If this product or material fails to perform in the accepted manner, the manufacturer will incur the expense of such testing and the AHJ may immediately revoke, modify, or suspend the use of such product or material within their jurisdiction. RER reserves the right to revoke this acceptance, if it is determined by Miami-Dade County Product Control Section that this product or material fails to meet the requirements of the applicable building code.

This product is approved as described herein, and has been designed to comply with the Florida Building Code, including the High Velocity Hurricane Zone.

**DESCRIPTION: Series "S-550" Aluminum Fixed Window – S.M.I.**

**APPROVAL DOCUMENT:** Drawing No. **W15-14**, titled "S-550 Alum. Fixed Window. (S.M.I.)", sheets 1 through 6 of 6, dated 03/27/15 with Revision "B" dated 09/27/17, prepared by Al-Farooq Corporation, signed and sealed by Javad Ahmad, P.E., bearing the Miami-Dade County Product Control Acceptance stamp with the Notice of Acceptance number and approval date by the Miami-Dade County Product Control Section.

**MISSILE IMPACT RATING: Small Missile Impact Resistant**

**LABELING:** Each unit shall bear a permanent label with the manufacturer's name or logo, city, state, model/series, and following statement: "Miami-Dade County Product Control Approved", unless otherwise noted herein.

**RENEWAL** of this NOA shall be considered after a renewal application has been filed and there has been no change in the applicable building code negatively affecting the performance of this product.

**TERMINATION** of this NOA will occur after the expiration date or if there has been a revision or change in the materials, use, and/or manufacture of the product or process. Misuse of this NOA as an endorsement of any product, for sales, advertising or any other purposes shall automatically terminate this NOA. Failure to comply with any section of this NOA shall be cause for termination and removal of NOA.

**ADVERTISEMENT:** The NOA number preceded by the words Miami-Dade County, Florida, and followed by the expiration date may be displayed in advertising literature. If any portion of the NOA is displayed, then it shall be done in its entirety.

**INSPECTION:** A copy of this entire NOA shall be provided to the user by the manufacturer or its distributors and shall be available for inspection at the job site at the request of the Building Official.

This NOA revises NOA No. **15-0914.10** and consists of this page 1 and evidence pages E-1 and E-2, as well as approval document mentioned above.

The submitted documentation was reviewed by **Sifang Zhao, P.E.**



S.Z.  
12/14/2017

NOA No. 17-1011.19  
Expiration Date: June 23, 2021  
Approval Date: December 21, 2017  
Page 1

**NOTICE OF ACCEPTANCE: EVIDENCE SUBMITTED**

**1. EVIDENCE SUBMITTED UNDER PREVIOUS NOA #15-0914.10**

**A. DRAWINGS**

1. Manufacturer's die drawings and sections.
2. Drawing No. **W15-14**, titled "S-550 Alum. Fixed Window. (S.M.I.)", sheets 1 through 6 of 6, dated 03/27/15 with Revision "A" dated 06/10/16, prepared by Al-Farooq Corporation, signed and sealed by Javad Ahmad, P.E.

**B. TESTS**

1. Test reports on:
  - 1) Air Infiltration Test, per FBC, TAS 202-94
  - 2) Uniform Static Air Pressure Test, Loading per FBC TAS 202-94
  - 3) Water Resistance Test, per FBC, TAS 202-94
  - 4) Small Missile Impact Test per FBC, TAS 201-94
  - 5) Cyclic Wind Pressure Loading per FBC, TAS 203-94
  - 6) Forced Entry Test, per FBC 2411 3.2.1, TAS 202-94along with marked-up drawings and installation diagram of a fixed window, prepared by Fenestration Testing Laboratory Inc., Test Report No. **8191**, dated 03/27/15 signed and sealed by Idalmis Ortega, P.E.
2. Test reports on:
  - 1) Air Infiltration Test, per FBC, TAS 202-94
  - 2) Uniform Static Air Pressure Test, Loading per FBC TAS 202-94
  - 3) Water Resistance Test, per FBC, TAS 202-94
  - 4) Small Missile Impact Test per FBC, TAS 201-94
  - 5) Cyclic Wind Pressure Loading per FBC, TAS 203-94
  - 6) Forced Entry Test, per FBC 2411 3.2.1, TAS 202-94along with marked-up drawings and installation diagram of a casement window, prepared by Fenestration Testing Laboratory Inc., Test Report No. **8175**, dated 03/16/15 signed and sealed by Idalmis Ortega, P.E.  
*(Submitted under NOA#15-0914.09)*

**C. CALCULATIONS**

1. Anchor verification calculations and structural analysis, complying with **FBC-2014, 5<sup>th</sup> Edition**, prepared by Al-Farooq Corporation, dated 08/03/15 and revised on 06/10/16, signed and sealed by Javad Ahmad, P. E.
2. Glazing complies with **ASTM E1300-09**

**D. QUALITY ASSURANCE**

1. Miami-Dade Department of Regulatory and Economic Resources (RER)

*Sifang Zhao*

Sifang Zhao, P.E

Product Control Examiner

NOA No. 17-1011.19

Expiration Date: June 23, 2021

Approval Date: December 21, 2017

NOTICE OF ACCEPTANCE: EVIDENCE SUBMITTED

**E. MATERIAL CERTIFICATIONS**

1. Notice of Acceptance No. **14-0916.10** issued to **Kuraray America, Inc.** for their “**Kuraray Butacite® PVB Glass Interlayer**” dated 06/25/15, expiring on 12/11/16.

**F. STATEMENTS**

1. Statement letter of conformance, complying with **FBC-2014, 5<sup>th</sup> Edition**, and of no financial interest, dated 08/03/15, signed and sealed by Javad Ahmad, P.E.

**G. OTHERS**

1. None.

**2. NEW EVIDENCE SUBMITTED**

**A. DRAWINGS**

1. Drawing No. **W15-14**, titled “S-550 Alum. Fixed Window. (S.M.I.)”, sheets 1 through 6 of 6, dated 03/27/15 with Revision “B” dated 09/27/17, prepared by Al-Farooq Corporation, signed and sealed by Javad Ahmad, P.E.

**B. TESTS**

1. None.

**C. CALCULATIONS**

1. None

**D. QUALITY ASSURANCE**

1. Miami-Dade Department of Regulatory and Economic Resources (RER).

**E. MATERIAL CERTIFICATIONS**

1. Notice of Acceptance No. **16-1117.01** issued to **Kuraray America, Inc.** for their “**Trosifol® Ultraclear, Clear and Color PVB Interlayers**” dated 01/19/17, expiring on 07/08/19.

**F. STATEMENTS**

1. Statement letter of conformance, complying with **FBC 5<sup>th</sup> Edition (2014)**, with **FBC 6<sup>th</sup> Edition (2017)**, and of no financial interest, dated September 15, 2017, prepared by Al-Farooq Corporation, signed and sealed by Javad Ahmad, P.E.

**G. OTHERS**

1. Notice of Acceptance No. **15-0914.10**, issued to Eco Window Systems, LLC for their Series “S-550” Aluminum Fixed Window - S.M.I., approved on 06/23/2016 and expiring on 06/05/2021.

*Sifang Zhao*

Sifang Zhao, P.E.  
Product Control Examiner  
NOA No. 17-1011.19

Expiration Date: June 23, 2021  
Approval Date: December 21, 2017

**ECO-GUARD SERIES-550  
ALUMINUM FIXED WINDOW**

DESIGN LOAD RATINGS FOR THESE WINDOWS TO BE AS PER CHARTS SHOWN ON SHEETS 2.

APPROVAL APPLIES TO SINGLE UNITS OR SIDE BY SIDE COMBINATIONS OF FIX./FIX. OR FIXED WITH OTHER WINDOW TYPES IN MODULES OF TWO OR MORE WINDOWS USING MIAMI-DADE COUNTY APPROVED MULLIONS IN BETWEEN. LOWER DESIGN PRESSURE FROM WINDOWS OR MULLION APPROVAL WILL APPLY TO ENTIRE SYSTEM.

THIS PRODUCT HAS BEEN DESIGNED AND TESTED TO COMPLY WITH THE REQUIREMENTS OF THE 2014 (5TH EDITION)/2017 (6TH EDITION) FLORIDA BUILDING CODE INCLUDING HIGH VELOCITY HURRICANE ZONE (HVHZ).

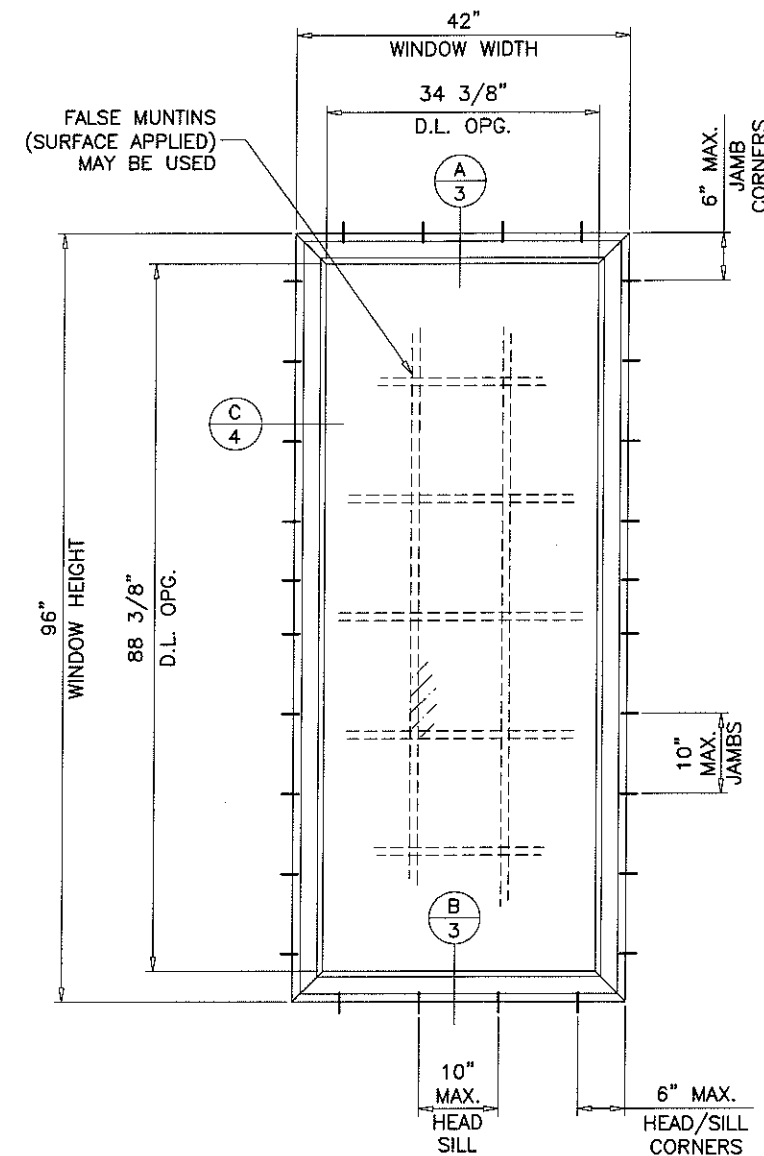
1BY OR 2BY WOOD BUCKS & BUCK FASTENERS BY OTHERS, MUST BE DESIGNED AND INSTALLED ADEQUATELY TO TRANSFER APPLIED PRODUCT LOADS TO THE BUILDING STRUCTURE.

ANCHORS SHALL BE CORROSION RESISTANT, SPACED AS SHOWN ON DETAILS AND INSTALLED PER MANUF'S INSTRUCTIONS. SPECIFIED EMBEDMENT TO BASE MATERIAL SHALL BE BEYOND WALL DRESSING OR STUCCO.

A LOAD DURATION INCREASE IS USED IN DESIGN OF ANCHORS INTO WOOD ONLY. ALL SHIMS TO BE HIGH IMPACT, NON-METALLIC AND NON-COMPRESSIBLE.

MATERIALS INCLUDING BUT NOT LIMITED TO STEEL/METAL SCREWS, THAT COME INTO CONTACT WITH OTHER DISSIMILAR MATERIALS SHALL MEET THE REQUIREMENTS OF THE 2014/2017 FLORIDA BLDG. CODE & ADOPTED STANDARDS.

THIS PRODUCT APPROVAL IS GENERIC AND DOES NOT PROVIDE INFORMATION FOR A SITE SPECIFIC PROJECT, I.E. LIFE SAFETY OF THIS PRODUCT, ADEQUACY OF STRUCTURE RECEIVING THIS PRODUCT AND SEALING AROUND OPENING FOR WATER INFILTRATION RESISTANCE ETC. CONDITIONS NOT SHOWN IN THIS DRAWING ARE TO BE ANALYZED SEPARATELY, AND TO BE REVIEWED BY BUILDING OFFICIAL.



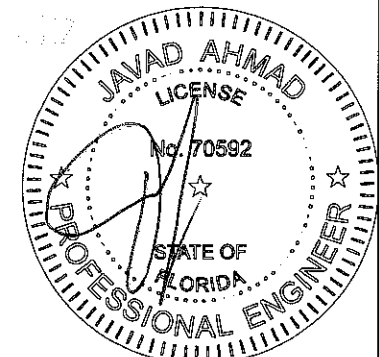
**TYPICAL ELEVATION**  
TESTED UNIT

**GLASS D.L.O. DIMS.**

D.L.O. HEIGHT = WINDOW HEIGHT - 7.625"  
D.L.O. WIDTH = WINDOW WIDTH - 7.625"

THESE WINDOWS ARE RATED FOR SMALL MISSILE IMPACT. MIAMI-DADE COUNTY APPROVED IMPACT RESISTANT SHUTTERS REQUIRED FOR INSTALLATIONS UP TO 30 FT. OF GRADE. SHUTTERS NOT REQD. FOR INSTALLATIONS ABOVE 30 FT. OF GRADE.

PRODUCT REVISED  
as complying with the Florida  
Building Code  
Acceptance No 17-1011-19  
Expiration Date 06/23/2021  
By Sifang Zhao  
Miami Dade Product Control



**af c**  
**AL-FAROOQ CORPORATION**  
ENGINEERS & PRODUCT DEVELOPMENT  
9360 SUNSET DRIVE, SUITE 220  
MIAMI, FLORIDA 33173 (C.A.N. 3538)  
TEL. (305) 264-8100 FAX. (305) 262-6978  
COMP-ANL\W15-14ECO

S-550 ALUMINUM FIXED WINDOW (S.M.I.)  
**ECO WINDOW SYSTEMS, LLC.**  
8502 N.W. 80th STREET  
MEDLEY, FL. 33166  
TEL. (305) 885-5299 FAX (305) 885-5902

no	date	description	by
A	06.10.16	REV. PER RER COMMENTS	
B	09.27.17	UPDATED TO 2017 FBC	

date:	03-27-15
scale:	1/2"=1'-0"
dr. by:	TARIQ
chk. by:	

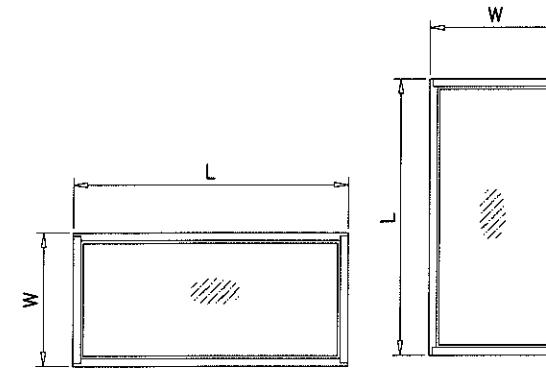
  

drawing no.	W15-14
sheet	1 of 6

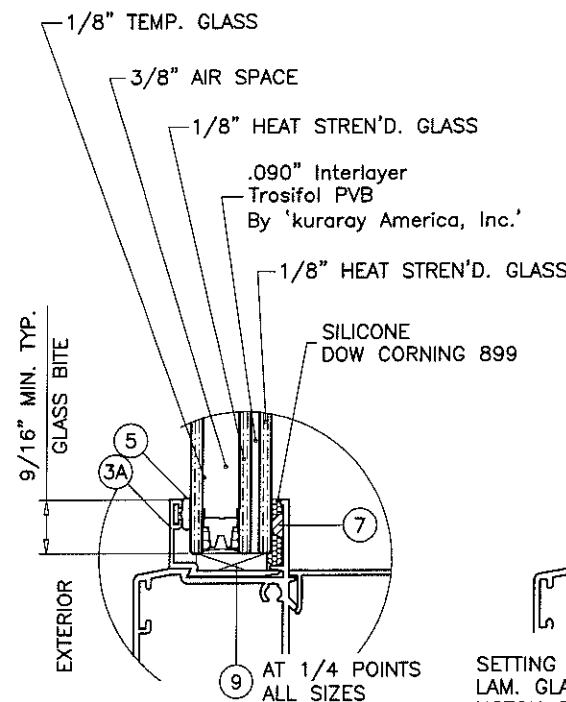
DESIGN LOAD CAPACITY - PSF					
WINDOW DIMS.		GLASS TYPE 'AA'		GLASS TYPE 'B'	
WIDTH (W)	LENGTH (L)	EXT.(+)	INT.(-)	EXT.(+)	INT.(-)
24"	42"	90.0	120.0	90.0	120.0
30"		90.0	120.0	90.0	120.0
36"		90.0	120.0	90.0	120.0
42"		79.3	114.5	90.0	120.0
48"		79.3	114.5	90.0	120.0
54"		79.3	114.5	90.0	120.0
60"		-	-	90.0	120.0
66"		-	-	90.0	120.0
24"	48"	90.0	120.0	90.0	120.0
30"		90.0	120.0	90.0	120.0
36"		90.0	120.0	90.0	120.0
42"		79.3	114.5	90.0	120.0
48"		69.4	100.2	78.8	105.0
54"		-	-	78.8	105.0
60"		-	-	78.8	105.0
66"		-	-	78.8	105.0
24"	54"	90.0	120.0	90.0	120.0
30"		90.0	120.0	90.0	120.0
36"		90.0	120.0	90.0	120.0
42"		79.3	114.5	90.0	120.0
48"		-	-	78.8	105.0
54"		-	-	70.0	93.3
60"		-	-	70.0	93.3
66"		-	-	70.0	93.3
24"	60"	90.0	120.0	90.0	120.0
30"		90.0	120.0	90.0	120.0
36"		90.0	120.0	90.0	120.0
42"		-	-	90.0	120.0
48"		-	-	78.8	105.0
54"		-	-	70.0	93.3
60"		-	-	63.0	84.0
66"		-	-	63.0	84.0
24"	63"	90.0	120.0	90.0	120.0
30"		90.0	120.0	90.0	120.0
36"		90.0	120.0	90.0	120.0
42"		-	-	90.0	120.0
48"		-	-	78.8	105.0
54"		-	-	70.0	93.3
60"		-	-	63.0	84.0
63"		-	-	60.0	80.0
24"	66"	90.0	120.0	90.0	120.0
30"		90.0	120.0	90.0	120.0
36"		-	-	90.0	120.0
42"		-	-	90.0	120.0
48"		-	-	78.8	105.0
54"		-	-	70.0	93.3
60"		-	-	63.0	84.0
66"		-	-	63.0	84.0

DESIGN LOAD CAPACITY - PSF					
WINDOW DIMS.		GLASS TYPE 'AA'		GLASS TYPE 'B'	
WIDTH (W)	LENGTH (L)	EXT.(+)	INT.(-)	EXT.(+)	INT.(-)
24"	72"	90.0	120.0	90.0	120.0
30"		90.0	120.0	90.0	120.0
36"		-	-	90.0	120.0
42"		-	-	90.0	120.0
48"		-	-	78.8	105.0
54"		-	-	70.0	93.3
24"	78"	90.0	120.0	90.0	120.0
30"		-	-	90.0	120.0
36"		-	-	90.0	120.0
42"		-	-	90.0	120.0
48"		-	-	78.8	105.0
54"		-	-	70.0	93.3
24"	84"	90.0	120.0	90.0	120.0
30"		-	-	90.0	120.0
36"		-	-	90.0	120.0
42"		-	-	90.0	120.0
48"		-	-	78.8	105.0
54"		-	-	70.0	93.3
24"	90"	90.0	120.0	90.0	120.0
30"		-	-	90.0	120.0
36"		-	-	90.0	120.0
42"		-	-	90.0	120.0
48"		-	-	78.8	105.0
54"		-	-	70.0	93.3
24"	96"	90.0	120.0	90.0	120.0
30"		-	-	90.0	120.0
36"		-	-	90.0	120.0
42"		-	-	90.0	120.0
48"		-	-	78.8	105.0
54"		-	-	70.0	93.3

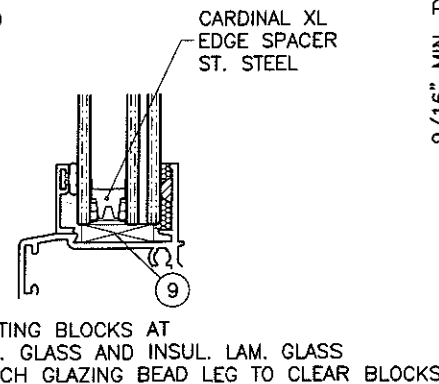
DESIGN LOAD CAPACITY - PSF					
WINDOW DIMS.		GLASS TYPE 'AA'		GLASS TYPE 'B'	
WIDTH (W)	LENGTH (L)	EXT.(+)	INT.(-)	EXT.(+)	INT.(-)
19-1/8"	38-3/8"	90.0	120.0	90.0	120.0
26-1/2"		90.0	120.0	90.0	120.0
32"		90.0	120.0	90.0	120.0
37"		90.0	120.0	90.0	120.0
53-1/8"		86.8	120.0	90.0	120.0
63"		-	-	90.0	120.0
19-1/8"	50-5/8"	90.0	120.0	90.0	120.0
26-1/2"		90.0	120.0	90.0	120.0
32"		90.0	120.0	90.0	120.0
37"		90.0	120.0	90.0	120.0
53-1/8"		-	-	74.7	99.6
63"		-	-	74.7	99.6
19-1/8"	63"	90.0	120.0	90.0	120.0
26-1/2"		90.0	120.0	90.0	120.0
32"		90.0	120.0	90.0	120.0
37"		90.0	120.0	90.0	120.0
53-1/8"		-	-	71.2	94.9
63"		-	-	60.0	80.0
19-1/8"	74-1/4"	90.0	120.0	90.0	120.0
26-1/2"		90.0	120.0	90.0	120.0
32"		-	-	90.0	120.0
37"		-	-	90.0	120.0
53-1/8"		-	-	71.2	94.9
63"		-	-	60.0	80.0
19-1/8"	96"	90.0	120.0	90.0	120.0
26-1/2"		-	-	90.0	120.0
32"		-	-	90.0	120.0
37"		-	-	90.0	120.0
53-1/8"		-	-	71.2	94.9
63"		-	-	60.0	80.0



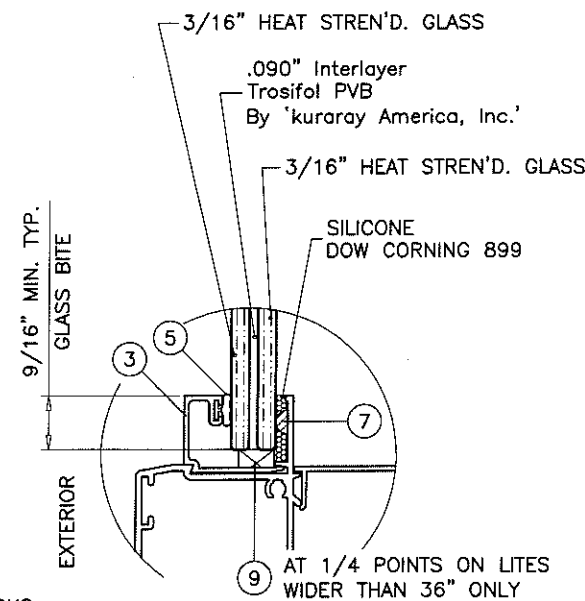
NOTE:  
WIDTH AND LENGTH DIMENSIONS CAN BE ORIENTED  
VERTICALLY OR HORIZONTALLY AS SHOWN ABOVE.



GLASS TYPE 'AA'  
13/16" OVERALL INSUL. LAM. GLASS

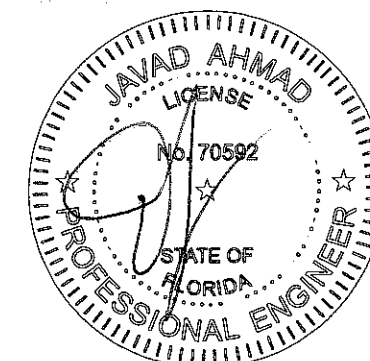


GLAZING OPTIONS



GLASS TYPE 'B'  
7/16" OVERALL LAM. GLASS

PRODUCT REVISED  
as complying with the Florida  
Building Code  
Acceptance No. 17-1011.19  
Expiration Date 06/23/2021  
By Sifang Zhao  
Miami Dade Product Control

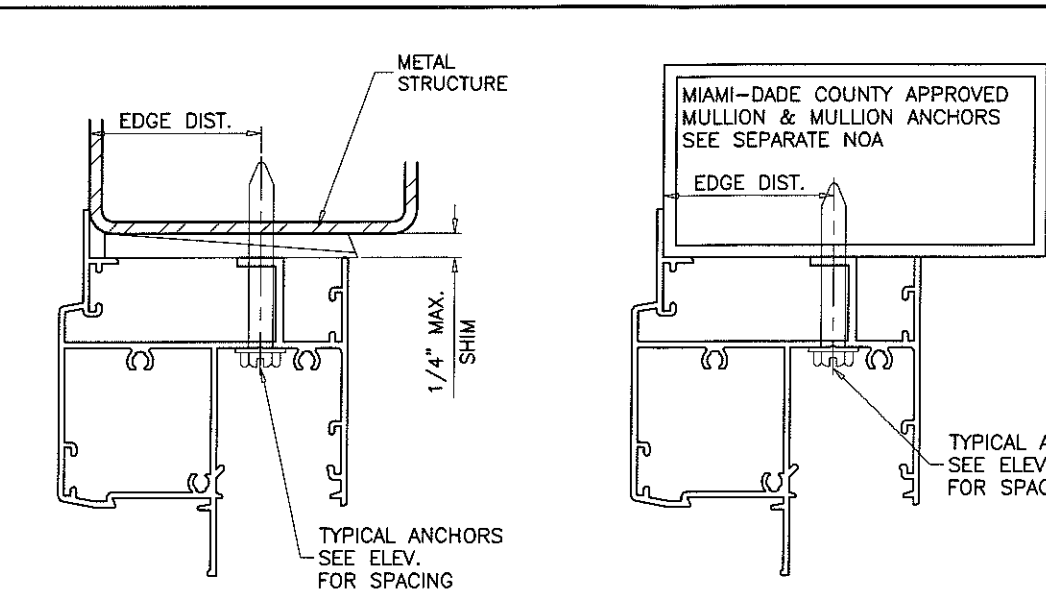
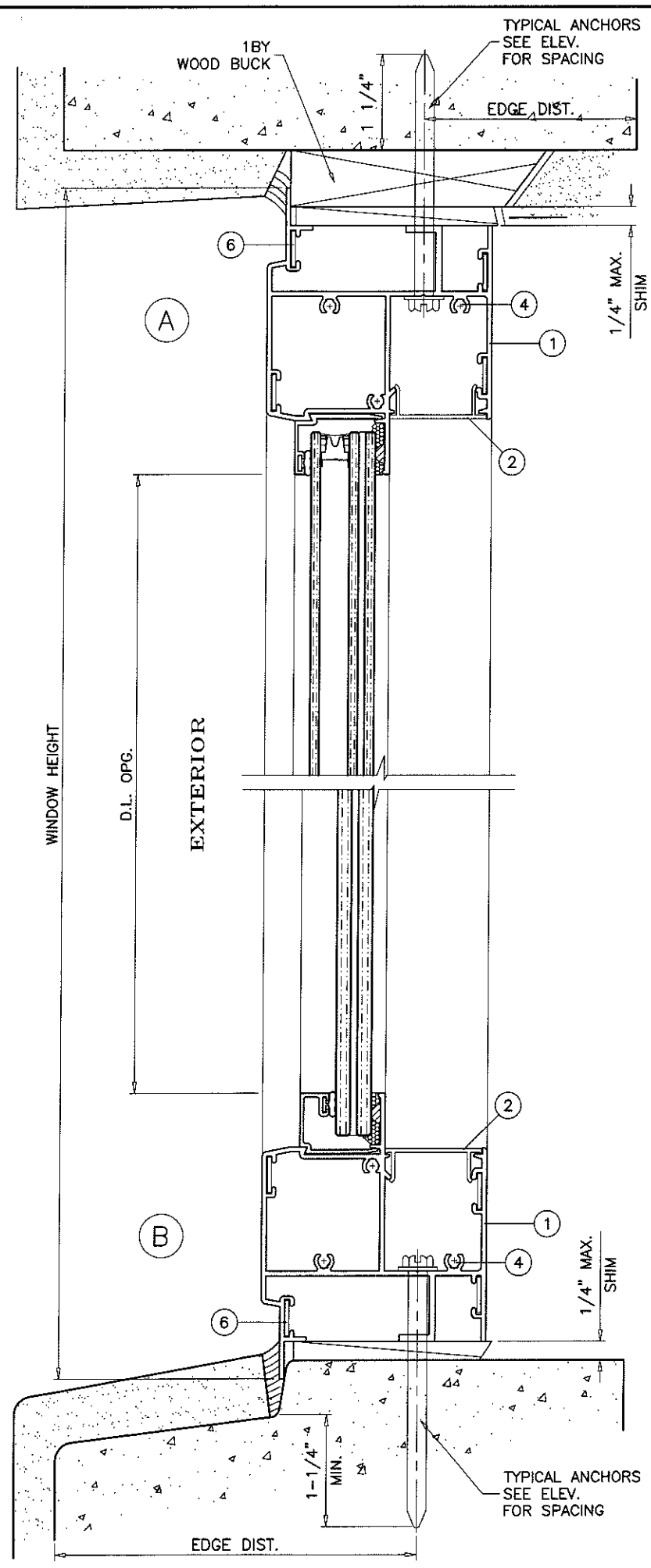


**af c**  
**AL-FAROOQ CORPORATION**  
ENGINEERS & PRODUCT DEVELOPMENT  
9360 SUNSET DRIVE, SUITE 220  
MIAMI, FLORIDA 33173 (C.A.N. 3538)  
TEL. (305) 264-8100 FAX. (305) 262-6978  
COMP-ANL\W15-14ECO

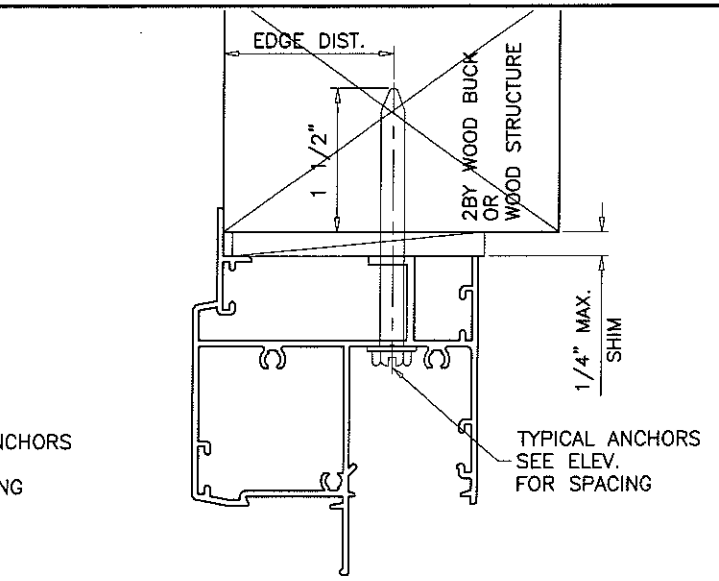
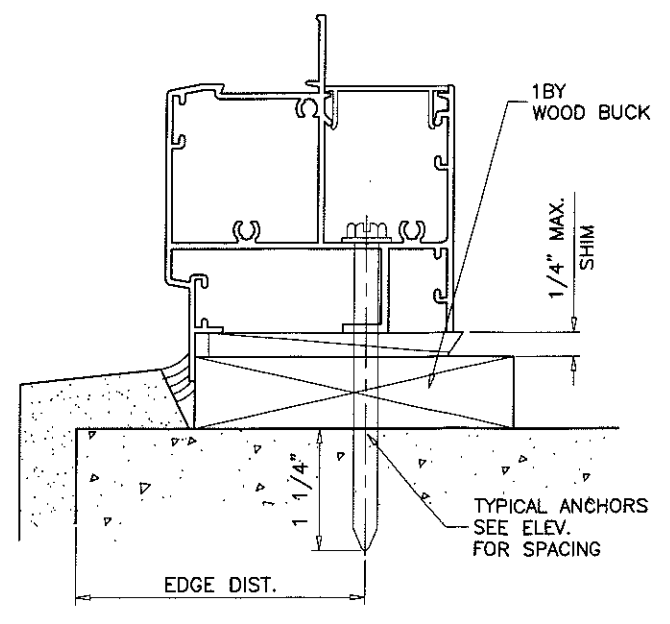
S-550 ALUMINUM FIXED WINDOW (S.M.I.)  
**ECO WINDOW SYSTEMS, LLC.**  
8502 N.W. 80th STREET  
MEDLEY, FL. 33166  
TEL. (305) 885-5299 FAX (305) 885-5902

no.	date	description
A	06.10.16	NO CHANGE THIS SHEET
B	09.27.17	UPDATED TO 2017 FBC

date: 03-27-15  
scale: 1/2" = 1"  
dr. by: TARIQ  
chk. by:  
drawing no.  
**W15-14**  
sheet 2 of 6



WOOD BUCKS AND METAL STRUCTURE NOT BY ECO WDW. MUST SUSTAIN LOADS IMPOSED BY GLAZING SYSTEM AND TRANSFER THEM TO THE BUILDING STRUCTURE.



**TYPICAL ANCHORS:** SEE ELEV. FOR SPACING  
**1/4" DIA. ULTRACON BY 'ELCO'** ( $F_u=177$  KSI,  $F_y=155$  KSI)  
 INTO 2BY WOOD BUCKS OR WOOD STRUCTURES  
 1-1/2" MIN. PENETRATION INTO WOOD (HEAD/SILL/JAMBS)  
 THRU 1BY BUCKS INTO CONC. OR BLOCKS  
 1-1/4" MIN. EMBED INTO CONCRETE (HEAD/SILL/JAMBS)  
 1-1/4" MIN. EMBED INTO BLOCKS (JAMBS)  
 DIRECTLY INTO CONCRETE OR BLOCKS  
 1-1/4" MIN. EMBED INTO CONCRETE (HEAD/SILL/JAMBS)  
 1-1/4" MIN. EMBED INTO BLOCKS (JAMBS)

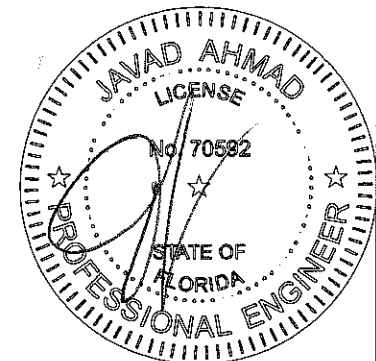
**#14 SMS OR SELF DRILLING SCREWS** (GRADE 2 CRS)  
 INTO METAL STRUCTURES (HEAD/SILL/JAMBS)  
 (3) THREADS MIN. PENETRATION BEYOND SUBSTRATE  
 ALUMINUM: 1/8" THK. MIN. (6063-T5 MIN.)  
 STEEL: 1/8" THK. MIN. ( $F_y = 36$  KSI MIN.)  
 (STEEL IN CONTACT WITH ALUMINUM TO BE PLATED OR PAINTED)

**#12 SMS OR SELF DRILLING SCREWS** (GRADE 2 CRS)  
 INTO MIAMI-DADE COUNTY APPROVED MULLIONS  
 (3) THREADS MIN. PENETRATION BEYOND SUBSTRATE  
 (NO SHIM SPACE)  
 ALUMINUM: 1/8" THK. MIN. (6063-T5 MIN.)  
 STEEL: 1/8" THK. MIN. ( $F_y = 36$  KSI MIN.)  
 (STEEL IN CONTACT WITH ALUMINUM TO BE PLATED OR PAINTED)

**TYPICAL EDGE DISTANCE**  
 INTO CONCRETE AND MASONRY = 2-1/2" MIN.  
 INTO WOOD STRUCTURE = 1" MIN.  
 INTO METAL STRUCTURE = 3/4" MIN.

WOOD AT HEAD, SILL OR JAMBS SG = 0.55 MIN.  
 CONCRETE AT HEAD, SILL OR JAMBS  $f'_c = 3000$  PSI MIN.  
 C-90 HOLLOW/FILLED BLOCK AT JAMBS  $f'_m = 2000$  PSI MIN.

PRODUCT REVISED  
 as complying with the Florida  
 Building Code  
 Acceptance No. 17-1011.19  
 Expiration Date 06/23/2021  
 By *Sifang zhao*  
 Miami Dade Product Control



**AL-FAROOQ CORPORATION**  
 ENGINEERS & PRODUCT DEVELOPMENT  
 9360 SUNSET DRIVE, SUITE 220  
 MIAMI, FLORIDA 33173 (C.A.N. 3638)  
 TEL. (305) 264-8100 FAX. (305) 262-6978  
 COMP-ANL\W15-14ECO

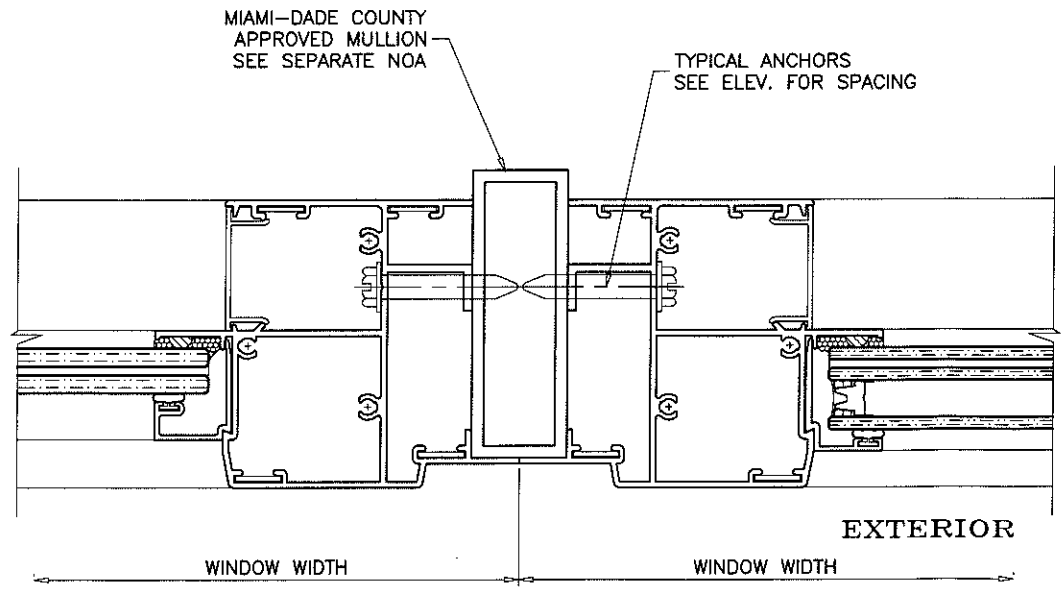
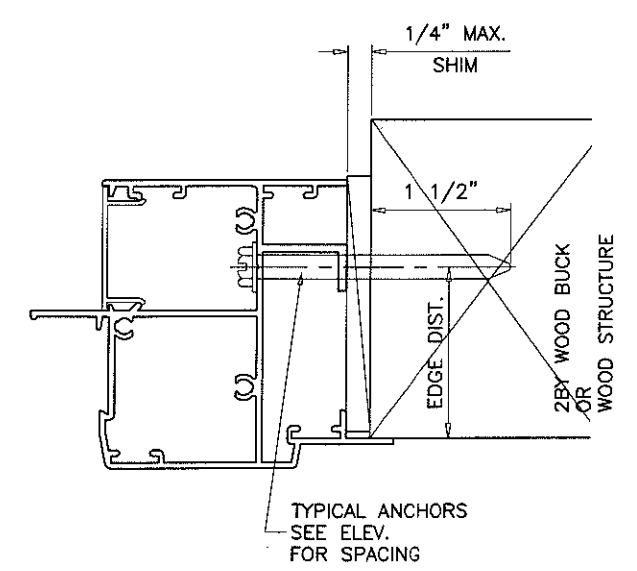
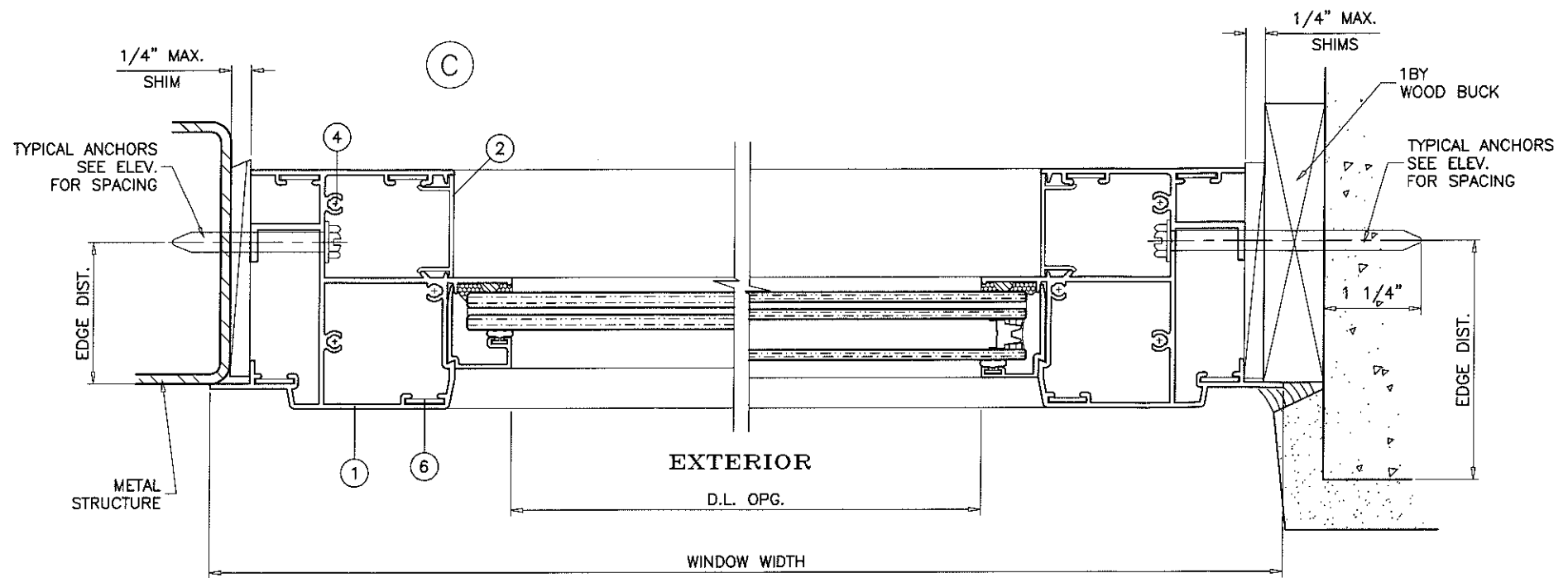
S-550 ALUMINUM FIXED WINDOW (S.M.I.)  
**ECO WINDOW SYSTEMS, LLC.**  
 8502 N.W. 80th STREET  
 MEDLEY, FL. 33166  
 TEL. (305) 885-5299 FAX (305) 885-5902

no	date	description
A	06.10.16	REV. PER PER COMMENTS
B	09.27.17	UPDATED TO 2017 FBC

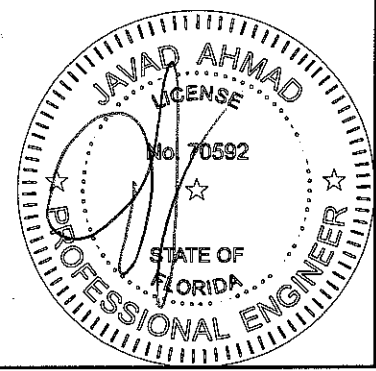
  

date:	03-27-15
scale:	1/2" = 1"
dr. by:	TARIQ
chk. by:	

drawing no.  
**W15-14**  
 sheet 3 of 6



PRODUCT REVISED  
 as complying with the Florida  
 Building Code  
 Acceptance No 17-1011-19  
 Expiration Date 06/23/2021  
 By Sifang Zhao  
 Miami Dade Product Control



revisions:

no	date	description
A	06.10.16	NO CHANGE THIS SHEET
B	09.27.17	UPDATED TO 2017 FBC

date:	03-27-15
scale:	1/2" = 1"
dr. by:	TARIO
chk. by:	

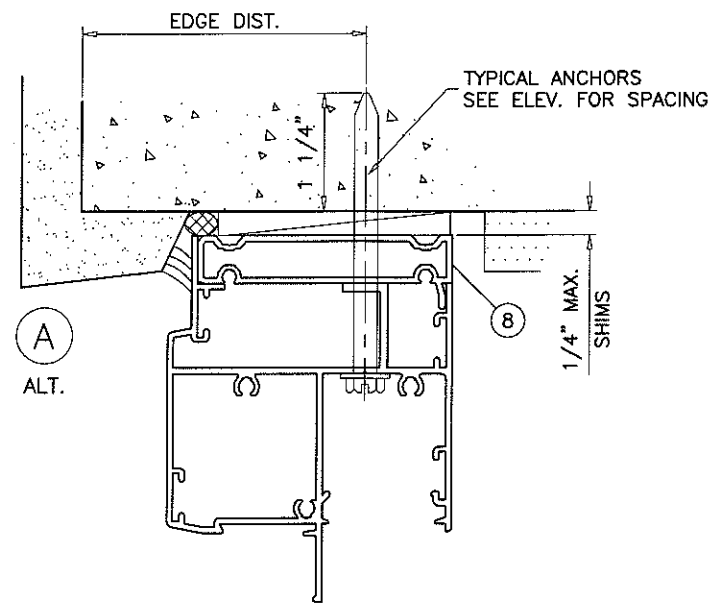
drawing no.  
**W15-14**  
 sheet 4 of 6

S-550 ALUMINUM FIXED WINDOW (S.M.I.)  
**ECO WINDOW SYSTEMS, LLC.**  
 8502 N.W. 80th STREET  
 MEDLEY, FL. 33166  
 TEL. (305) 885-5299 FAX (305) 885-5902

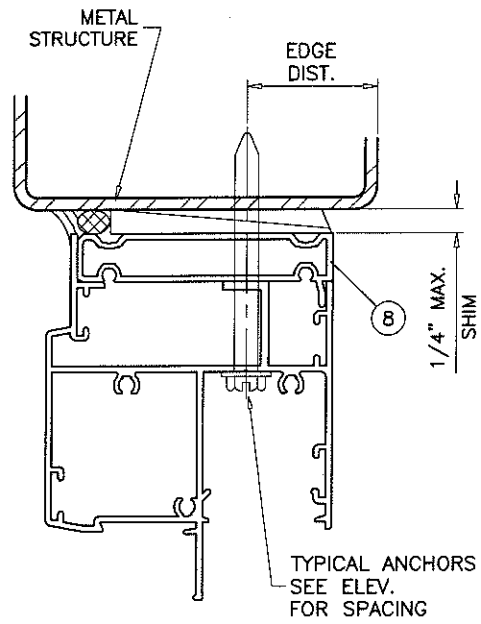
**AL-FAROOQ CORPORATION**  
 ENGINEERS & PRODUCT DEVELOPMENT  
 9360 SUNSET DRIVE, SUITE 220  
 MIAMI, FLORIDA 33173 (C.A.N. 3538)  
 TEL. (305) 264-8100 FAX. (305) 262-6978



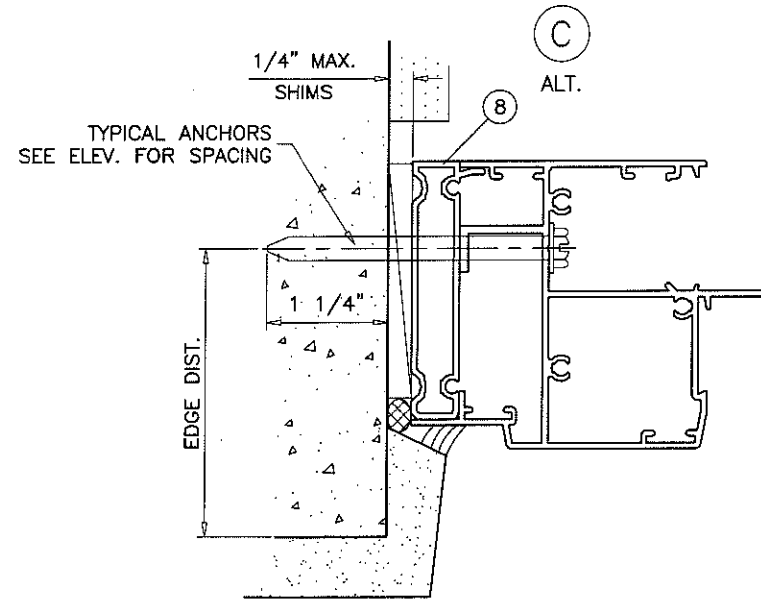
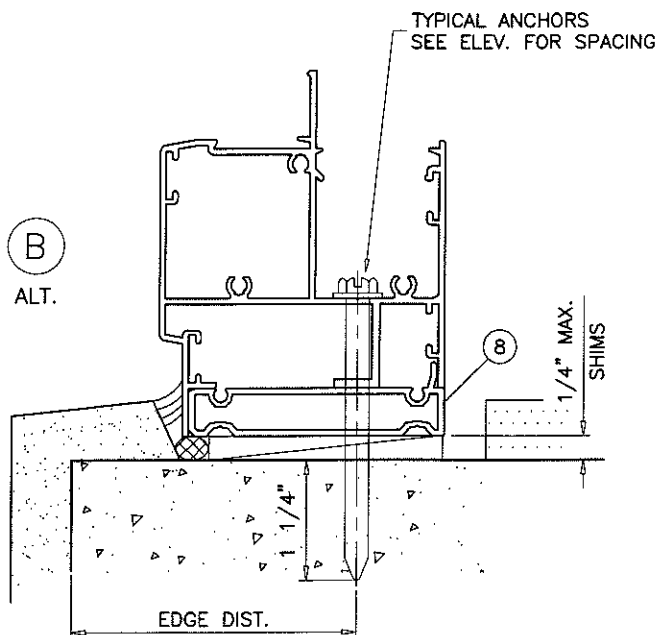
COMP-ANL\W15-14ECO



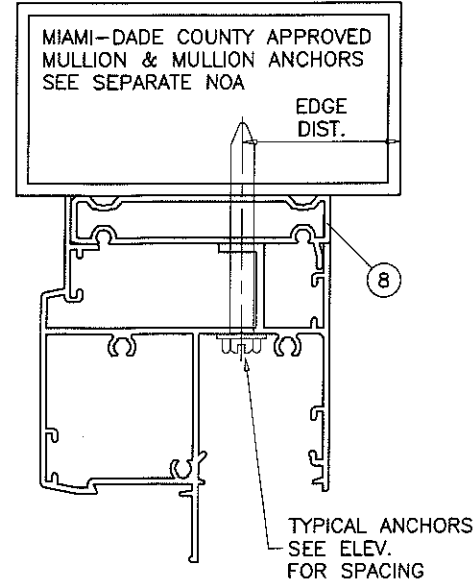
A  
ALT.



B  
ALT.

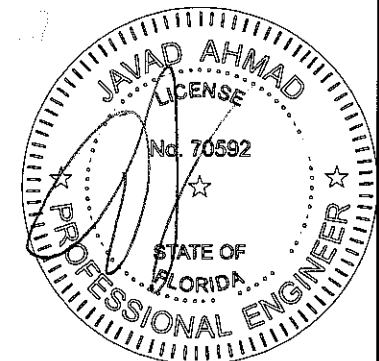


C  
ALT.



INSTALLATION DETAILS WITH FLUSH FRAME ADAPTER

PRODUCT REVISED  
 as complying with the Florida  
 Building Code  
 Acceptance No 17-1011-19  
 Expiration Date 06/23/2021  
 By Sifang zhao  
 Miami Dade Product Control



**afc**  
**AL-FAROOQ CORPORATION**  
 ENGINEERS & PRODUCT DEVELOPMENT  
 9360 SUNSET DRIVE, SUITE 220  
 MIAMI, FLORIDA 33173 (C.A.N. 3538)  
 TEL. (305) 264-8100 FAX. (305) 262-6978  
 COMP-ANL\W15-14ECO

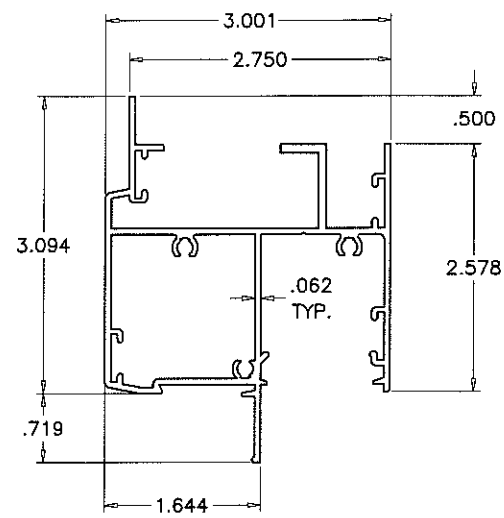
S-550 ALUMINUM FIXED WINDOW (S.M.I.)  
**ECO WINDOW SYSTEMS, LLC.**  
 8502 N.W. 80th STREET  
 MEDLEY, FL. 33166  
 TEL. (305) 885-5299 FAX (305) 885-5902

revisions:	
no	description
A	06.10.16 NO CHANGE THIS SHEET
B	09.27.17 UPDATED TO 2017 FBC

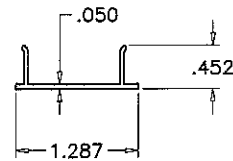
  

date: 03-27-15	scale: 1/2" = 1"	dr. by: TARIQ	chk. by:
drawing no. <b>W15-14</b>			
sheet 5 of 6			

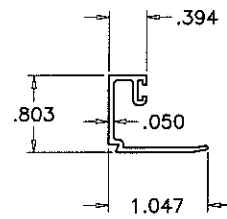




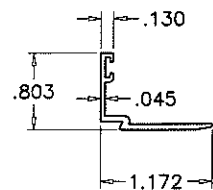
① FRAME HEAD/SILL/JAMB



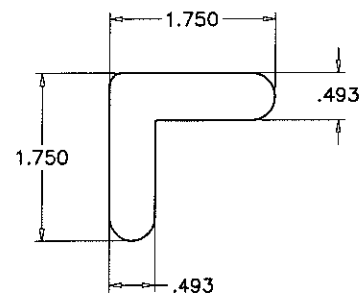
② SNAP COVER



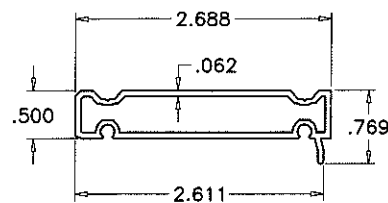
③ GLAZING BEAD (7/16" LAM. GLASS)



③A GLAZING BEAD (INSUL. LAM. GLASS)



⑥ CORNER KEY

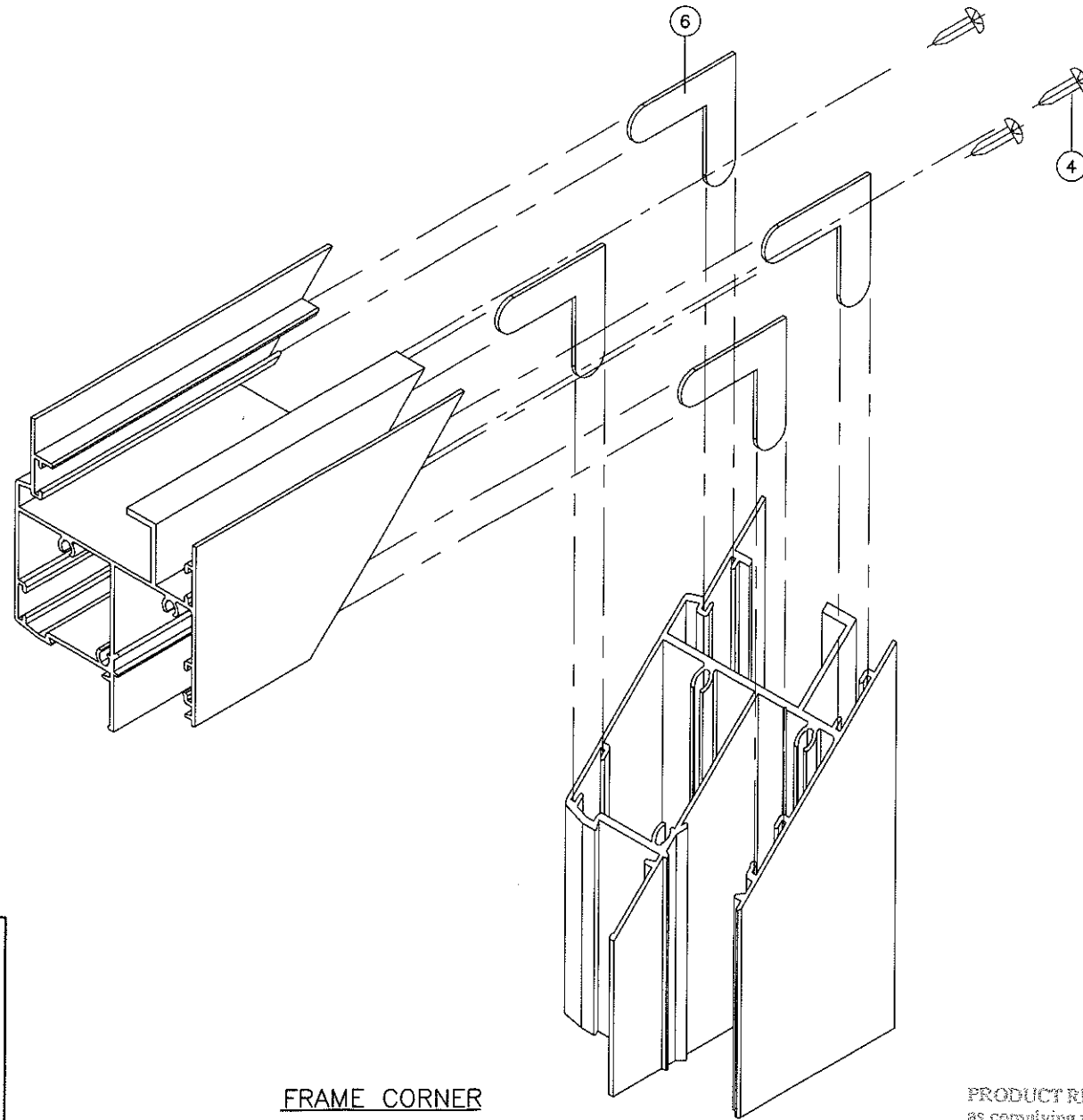


⑧ FLUSH FRAME ADAPTER

**SEALANT:**

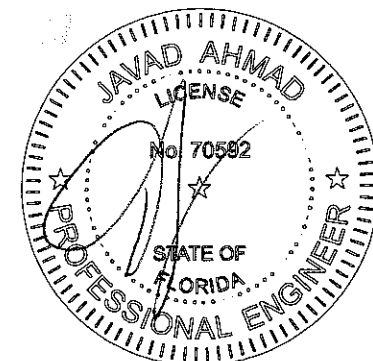
ALL JOINTS AND FRAME CONNECTIONS SEALED WITH SCHNEE-MOREHEAD SM5504 SEAM SEALER.

ITEM	PART #	QUANTITY	DESCRIPTION	MATERIAL	MANF./SUPPLIER/REMARKS
1	E503	4	FRAME HEAD/SILL/JAMB	6063-T6	-
2	E504	4	SNAP COVER	6063-T6	-
3	FY109	AS REQD.	GLAZING BEAD (7/16" LAM. GLASS)	6063-T6	-
3A	E505	AS REQD.	GLAZING BEAD (INSUL. LAM. GLASS)	6063-T6	-
4	#10 X 1-1/4"	3/ CORNER	ASSEMBLY SCREWS	-	-
5	E203	AS REQD.	GLAZING BEAD BULB, DUROMETER 65	SANTOPRENE	ULTRAFAB
6	PSJ40-SS	2/ CORNER	FRAME CORNER KEY	ST. STEEL	-
7	FLB-50	-	GLASS SPACER - 1/8" HIGH	SILICONE	FRANK LOWE
8	FY120	AS REQD.	FLUSH FRAME ADAPTER	6063-T6	OPTIONAL
9	-	AS REQD.	SETTING BLOCK, 3/16" X 3/4" X 4" LONG	EPDM	DUROMETER 80±5 SHORE A



FRAME CORNER

PRODUCT REVISED  
 as complying with the Florida  
 Building Code  
 Acceptance No 17-1011.19  
 Expiration Date 06/23/2021  
 By Sifang Zhao  
 Miami Dade Product Control



**af c**  
**AL-FAROOQ CORPORATION**  
 ENGINEERS & PRODUCT DEVELOPMENT  
 9360 SUNSET DRIVE, SUITE 220  
 MIAMI, FLORIDA 33173 (C.A.N. 3538)  
 TEL (305) 264-8100 FAX (305) 262-6978  
 COMP-ANL\W15-14ECO

S-550 ALUMINUM FIXED WINDOW (S.M.I.)  
**ECO WINDOW SYSTEMS, LLC.**  
 8502 N.W. 80th STREET  
 MEDLEY, FL. 33166  
 TEL (305) 885-5299 FAX (305) 885-5902

no	date	description
A	06.10.16	NO CHANGE THIS SHEET
B	09.27.17	UPDATED TO 2017 FBC

revisions:  
 date: 03-27-15  
 scale: 1/2" = 1"  
 dr. by: TARIQ  
 chk. by:

drawing no.  
**W15-14**  
 sheet 6 of 6