



DEPARTMENT OF REGULATORY AND ECONOMIC RESOURCES (RER)
BOARD AND CODE ADMINISTRATION DIVISION

MIAMI-DADE COUNTY
PRODUCT CONTROL SECTION
11805 SW 26 Street, Room 208
T (786) 315-2590 F (786) 315-2599
www.miamidade.gov/economy

NOTICE OF ACCEPTANCE (NOA)

Eco Window Systems, LLC
9114 NW 106 Street
Medley, FL 33178

SCOPE:

This NOA is being issued under the applicable rules and regulations governing the use of construction materials. The documentation submitted has been reviewed and accepted by Miami-Dade County RER - Product Control Section to be used in Miami Dade County and other areas where allowed by the Authority Having Jurisdiction (AHJ).

This NOA shall not be valid after the expiration date stated below. The Miami-Dade County Product Control Section (In Miami-Dade County) and/or the AHJ (in areas other than Miami-Dade County) reserve the right to have this product or material tested for quality assurance purposes. If this product or material fails to perform in the accepted manner, the manufacturer will incur the expense of such testing and the AHJ may immediately revoke, modify, or suspend the use of such product or material within their jurisdiction. RER reserves the right to revoke this acceptance, if it is determined by Miami-Dade County Product Control Section that this product or material fails to meet the requirements of the applicable building code.

This product is approved as described herein, and has been designed to comply with the Florida Building Code, including the High Velocity Hurricane Zone.

DESCRIPTION: Series "S- 500" Aluminum Outswing Casement Window – S.M.I.

APPROVAL DOCUMENT: Drawing No. W15-13, titled "S-500 Alum. Outswing Casement Wdw. (S.M.I.)", sheets 1 through 6 of 6, dated 03/27/15 with Revision "B" dated 09/27/17, prepared by Al-Farooq Corporation, signed and sealed by Javad Ahmad, P.E., bearing the Miami-Dade County Product Control Approval stamp with the Notice of Acceptance number and approval date by the Miami-Dade County Product Control Section.

MISSILE IMPACT RATING: Small Missile Impact Resistant

LABELING: Each unit shall bear a permanent label with the manufacturer's name or logo, city, state, model/series, and following statement: "Miami-Dade County Product Control Approved", unless otherwise noted herein.

RENEWAL of this NOA shall be considered after a renewal application has been filed and there has been no change in the applicable building code negatively affecting the performance of this product.

TERMINATION of this NOA will occur after the expiration date or if there has been a revision or change in the materials, use, and/or manufacture of the product or process. Misuse of this NOA as an endorsement of any product, for sales, advertising or any other purposes shall automatically terminate this NOA. Failure to comply with any section of this NOA shall be cause for termination and removal of NOA.

ADVERTISEMENT: The NOA number preceded by the words Miami-Dade County, Florida, and followed by the expiration date may be displayed in advertising literature. If any portion of the NOA is displayed, then it shall be done in its entirety.

INSPECTION: A copy of this entire NOA shall be provided to the user by the manufacturer or its distributors and shall be available for inspection at the job site at the request of the Building Official.

This NOA revises NOA No. 15-0914.09 and consists of this page 1 and evidence page E-1 and E-2, as well as approval document mentioned above.

The submitted documentation was reviewed by **Sifang Zhao, P.E.**



S.Z.
12/14/2017

NOA No. 17-1011.21
Expiration Date: June 23, 2021
Approval Date: December 21, 2017
Page 1

NOTICE OF ACCEPTANCE: EVIDENCE SUBMITTED

1. EVIDENCE SUBMITTED UNDER PREVIOUS NOA #15-0914.09

A. DRAWINGS

1. Manufacturer's die drawings and sections.
2. Drawing No. **W15-13**, titled "S-500 Alum. Outswing Casement Wdw. (S.M.I.)", sheets 1 through 6 of 6, dated 03/27/15 with Revision "A" dated 06/10/16, prepared by Al-Farooq Corporation, signed and sealed by Javad Ahmad, P.E.

B. TESTS

1. Test reports on:
 - 1) Air Infiltration Test, per FBC, TAS 202-94
 - 2) Uniform Static Air Pressure Test, Loading per FBC TAS 202-94
 - 3) Water Resistance Test, per FBC, TAS 202-94
 - 4) Small Missile Impact Test per FBC, TAS 201-94
 - 5) Cyclic Wind Pressure Loading per FBC, TAS 203-94
 - 6) Forced Entry Test, per FBC 2411 3.2.1, TAS 202-94along with marked-up drawings and installation diagram of a casement window, prepared by Fenestration Testing Laboratory Inc., Test Report No. **8175**, dated 03/16/15 signed and sealed by Idalmis Ortega, P.E.
2. Test reports on:
 - 1) Air Infiltration Test, per FBC, TAS 202-94
 - 2) Uniform Static Air Pressure Test, Loading per FBC TAS 202-94
 - 3) Water Resistance Test, per FBC, TAS 202-94
 - 4) Small Missile Impact Test per FBC, TAS 201-94
 - 5) Cyclic Wind Pressure Loading per FBC, TAS 203-94
 - 6) Forced Entry Test, per FBC 2411 3.2.1, TAS 202-94along with marked-up drawings and installation diagram of a fixed window, prepared by Fenestration Testing Laboratory Inc., Test Report No. **8191**, dated 03/27/15 signed and sealed by Idalmis Ortega, P.E.
(Submitted under NOA#15-0914.10)

C. CALCULATIONS

1. Anchor verification calculations and structural analysis, complying with FBC-2014, 5th edition, prepared by Al-Farooq Corporation, dated 08/06/15 and 06/10/16, signed and sealed by Javad Ahmad, P. E.
2. Glazing complies with ASTM E1300-09

D. QUALITY ASSURANCE

1. Miami-Dade Department of Regulatory and Economic Resources (RER)

Sifang Zhao

Sifang Zhao, P.E.
Product Control Examiner
NOA No. 17-1011.21
Expiration Date: June 23, 2021
Approval Date: December 21, 2017

NOTICE OF ACCEPTANCE: EVIDENCE SUBMITTED

E. MATERIAL CERTIFICATIONS

1. Notice of Acceptance No. **14-0916.10** issued to **Kuraray America, Inc.** for their "**Kuraray Butacite® PVB Glass Interlayer**" dated 06/25/15, expiring on 12/11/16.

F. STATEMENTS

1. Statement letter of conformance, complying with FBC-2014, 5th edition, and of no financial interest, dated 08/06/15, signed and sealed by Javad Ahmad, P.E.

G. OTHER

1. None.

2. NEW EVIDENCE SUBMITTED

A. DRAWINGS

1. Drawing No. **W15-13**, titled "S-500 Alum. Outswing Casement Wdw. (S.M.I.)", sheets 1 through 6 of 6, dated 03/27/15 with Revision "B" dated 09/27/17, prepared by Al-Farooq Corporation, signed and sealed by Javad Ahmad, P.E.

B. TESTS

1. None.

C. CALCULATIONS

1. None

D. QUALITY ASSURANCE

1. Miami-Dade Department of Regulatory and Economic Resources (RER).

E. MATERIAL CERTIFICATIONS

1. Notice of Acceptance No. **16-1117.01** issued to **Kuraray America, Inc.** for their "**Trosifol® Ultraclear, Clear and Color PVB Interlayers**" dated 01/19/17, expiring on 07/08/19.

F. STATEMENTS

1. Statement letter of conformance, complying with **FBC 5th Edition (2014)**, with **FBC 6th Edition (2017)**, and of no financial interest, dated September 26, 2017, prepared by Al-Farooq Corporation, signed and sealed by Javad Ahmad, P.E.

G. OTHERS

1. Notice of Acceptance No. **15-0914.09**, issued to Eco Window Systems, LLC for their Series "S-550" Aluminum Outswing Casement Window - S.M.I., approved on 06/23/2016 and expiring on 06/05/2021.

Sifang Zhao

Sifang Zhao, P.E.

Product Control Examiner

NOA No. 17-1011.21

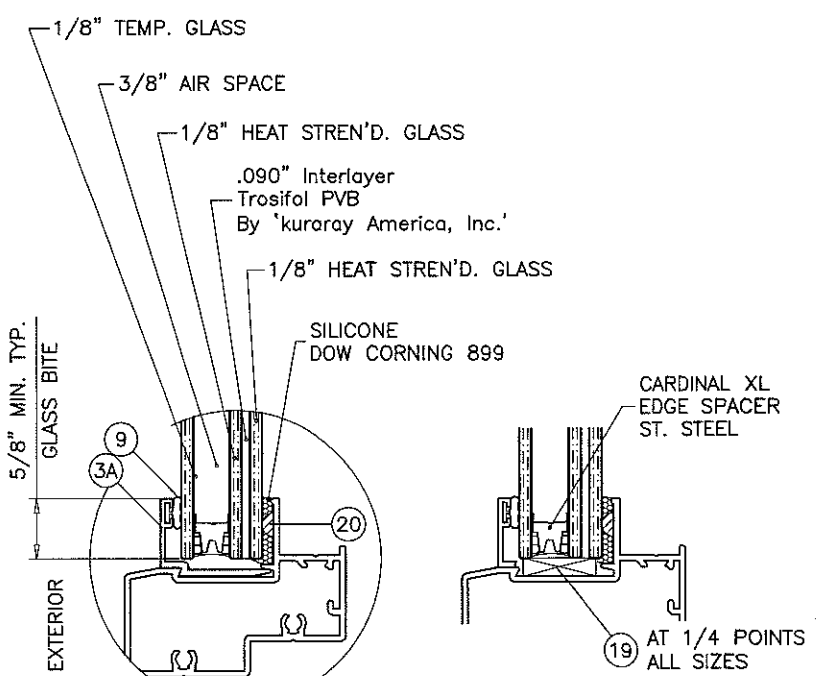
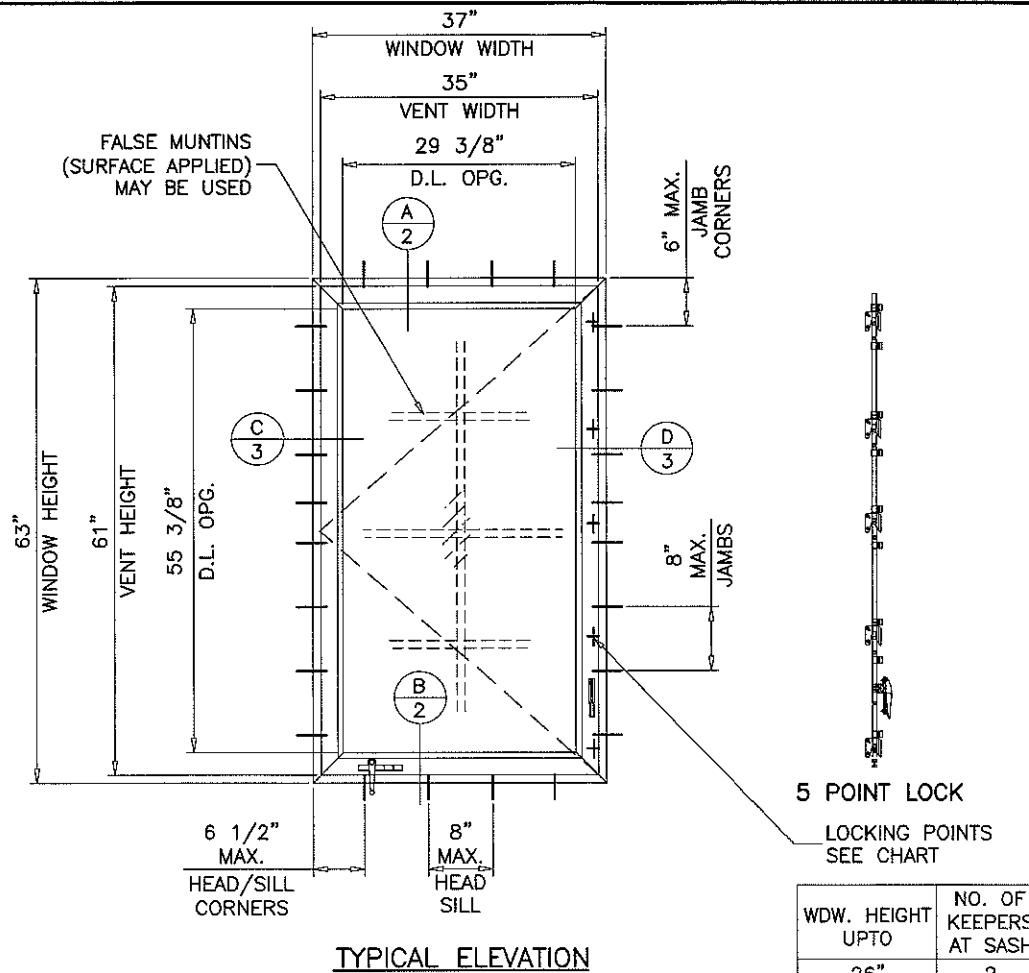
Expiration Date: June 23, 2021

Approval Date: December 21, 2017

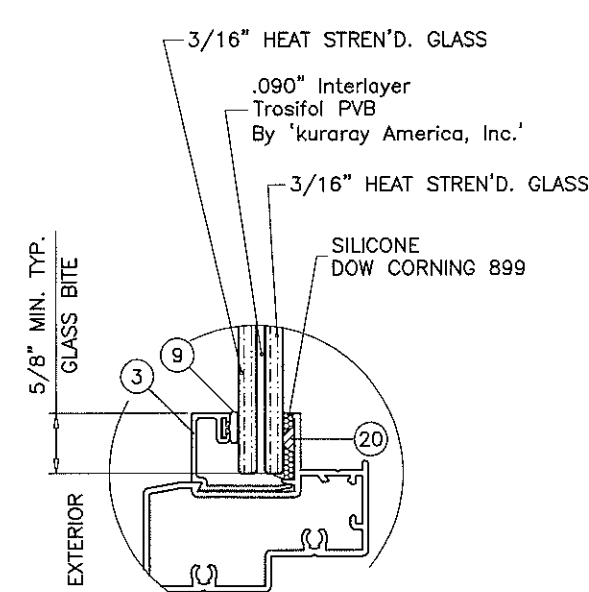
DESIGN LOAD CAPACITY - PSF FOR (X) SIZES					
WINDOW DIMS.		GLASS TYPE 'AA'		GLASS TYPE 'B'	
WIDTH	HEIGHT	EXT.(+)	INT.(-)	EXT.(+)	INT.(-)
19-1/8"	50-5/8"	90.0	130.0	90.0	120.0
26-1/2"		90.0	130.0	90.0	120.0
32"		90.0	130.0	90.0	120.0
37"		90.0	130.0	90.0	120.0
19-1/8"	63"	90.0	130.0	90.0	120.0
26-1/2"		90.0	130.0	90.0	120.0
37"		90.0	130.0	90.0	120.0
19-1/8"	76"	88.0	127.2	88.0	117.4
26-1/2"		65.0	94.0	65.0	86.7
18"	48"	90.0	130.0	90.0	120.0
24"		90.0	130.0	90.0	120.0
30"		90.0	130.0	90.0	120.0
36"		90.0	130.0	90.0	120.0
18"	54"	90.0	130.0	90.0	120.0
24"		90.0	130.0	90.0	120.0
30"		90.0	130.0	90.0	120.0
36"		90.0	130.0	90.0	120.0
18"	60"	90.0	130.0	90.0	120.0
24"		90.0	130.0	90.0	120.0
30"		90.0	130.0	90.0	120.0
36"		90.0	130.0	90.0	120.0
18"	66"	90.0	130.0	90.0	120.0
24"		90.0	130.0	90.0	120.0
30"		90.0	130.0	90.0	120.0
18"	72"	90.0	130.0	90.0	120.0
24"		84.1	121.5	84.1	112.1
30"		69.1	99.8	69.1	92.1

NOTE:
GLASS CAPACITIES ON THIS SHEET ARE
BASED ON ASTM E1300-09 (3 SEC. GUSTS)
AND FLORIDA BUILDING COMMISSION
DECLARATORY STATEMENT DCA05-DEC-219

GLASS D.L.O. DIMS.
D.L.O. HEIGHT = WINDOW HEIGHT - 7.625"
D.L.O. WIDTH = WINDOW WIDTH - 7.625"



GLASS TYPE 'AA'
13/16" OVERALL INSUL. LAM. GLASS



GLASS TYPE 'B'
7/16" OVERALL LAM. GLASS

GLAZING OPTIONS

THESE WINDOWS ARE RATED FOR SMALL MISSILE IMPACT.
MIAMI-DADE COUNTY APPROVED IMPACT RESISTANT SHUTTERS REQUIRED
FOR INSTALLATIONS UP TO 30 FT. OF GRADE.
SHUTTERS NOT REQD. FOR INSTALLATIONS ABOVE 30 FT. OF GRADE.

ECO-GUARD SERIES-500
ALUMINUM OUTSWING CASEMENT WINDOW

DESIGN LOAD RATINGS FOR THESE WINDOWS TO BE AS PER CHART SHOWN ABOVE.

APPROVAL APPLIES TO SINGLE UNITS OR SIDE BY SIDE COMBINATIONS OF CASMT/CASMT OR CASEMENT WITH OTHER WINDOW TYPES IN MODULES OF TWO OR MORE WINDOWS USING MIAMI-DADE COUNTY APPROVED MULLIONS IN BETWEEN. LOWER DESIGN PRESSURE FROM WINDOWS OR MULLION APPROVAL WILL APPLY TO ENTIRE SYSTEM.

THIS PRODUCT HAS BEEN DESIGNED AND TESTED TO COMPLY WITH THE REQUIREMENTS OF THE 2014 (5TH EDITION)/2017 (6TH EDITION) FLORIDA BUILDING CODE INCLUDING HIGH VELOCITY HURRICANE ZONE (HVHZ).

1BY OR 2BY WOOD BUCKS & BUCK FASTENERS BY OTHERS, MUST BE DESIGNED AND INSTALLED ADEQUATELY TO TRANSFER APPLIED PRODUCT LOADS TO THE BUILDING STRUCTURE.

ANCHORS SHALL BE CORROSION RESISTANT, SPACED AS SHOWN ON DETAILS AND INSTALLED PER MANUF'S INSTRUCTIONS. SPECIFIED EMBEDMENT TO BASE MATERIAL SHALL BE BEYOND WALL DRESSING OR STUCCO.

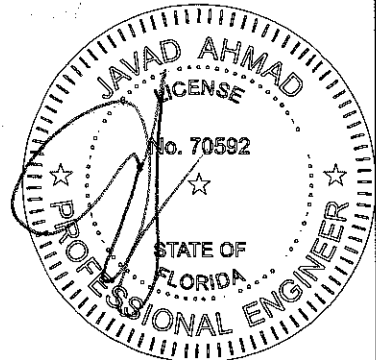
A LOAD DURATION INCREASE IS USED IN DESIGN OF ANCHORS INTO WOOD ONLY.

ALL SHIMS TO BE HIGH IMPACT, NON-METALLIC AND NON-COMPRESSIBLE.

MATERIALS INCLUDING BUT NOT LIMITED TO STEEL/METAL SCREWS, THAT COME INTO CONTACT WITH OTHER DISSIMILAR MATERIALS SHALL MEET THE REQUIREMENTS OF THE 2014/2017 FLORIDA BLDG. CODE & ADOPTED STANDARDS.

THIS PRODUCT APPROVAL IS GENERIC AND DOES NOT PROVIDE INFORMATION FOR A SITE SPECIFIC PROJECT, I.E. LIFE SAFETY OF THIS PRODUCT, ADEQUACY OF STRUCTURE RECEIVING THIS PRODUCT AND SEALING AROUND OPENING FOR WATER INFILTRATION RESISTANCE ETC. CONDITIONS NOT SHOWN IN THIS DRAWING ARE TO BE ANALYZED SEPARATELY, AND TO BE REVIEWED BY BUILDING OFFICIAL.

PRODUCT REVISED
as complying with the Florida
Building Code
Acceptance No 17-1011-21
Expiration Date 06/23/2021
By Sifang Zhao
Miami Dade Product Control

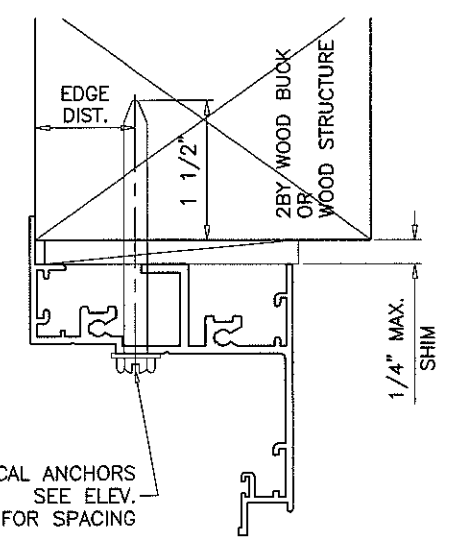
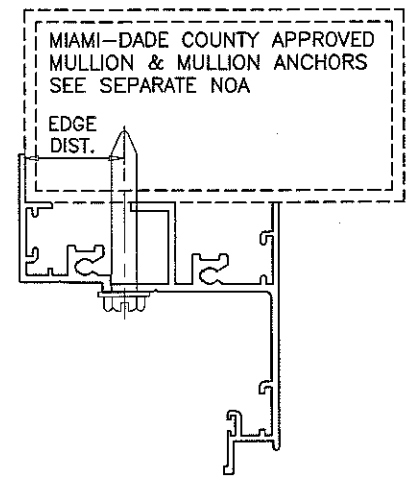
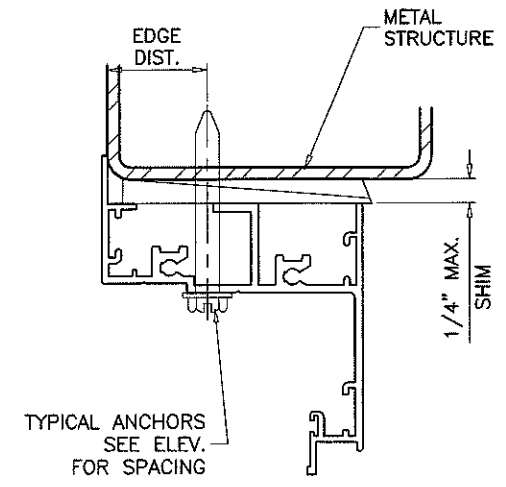
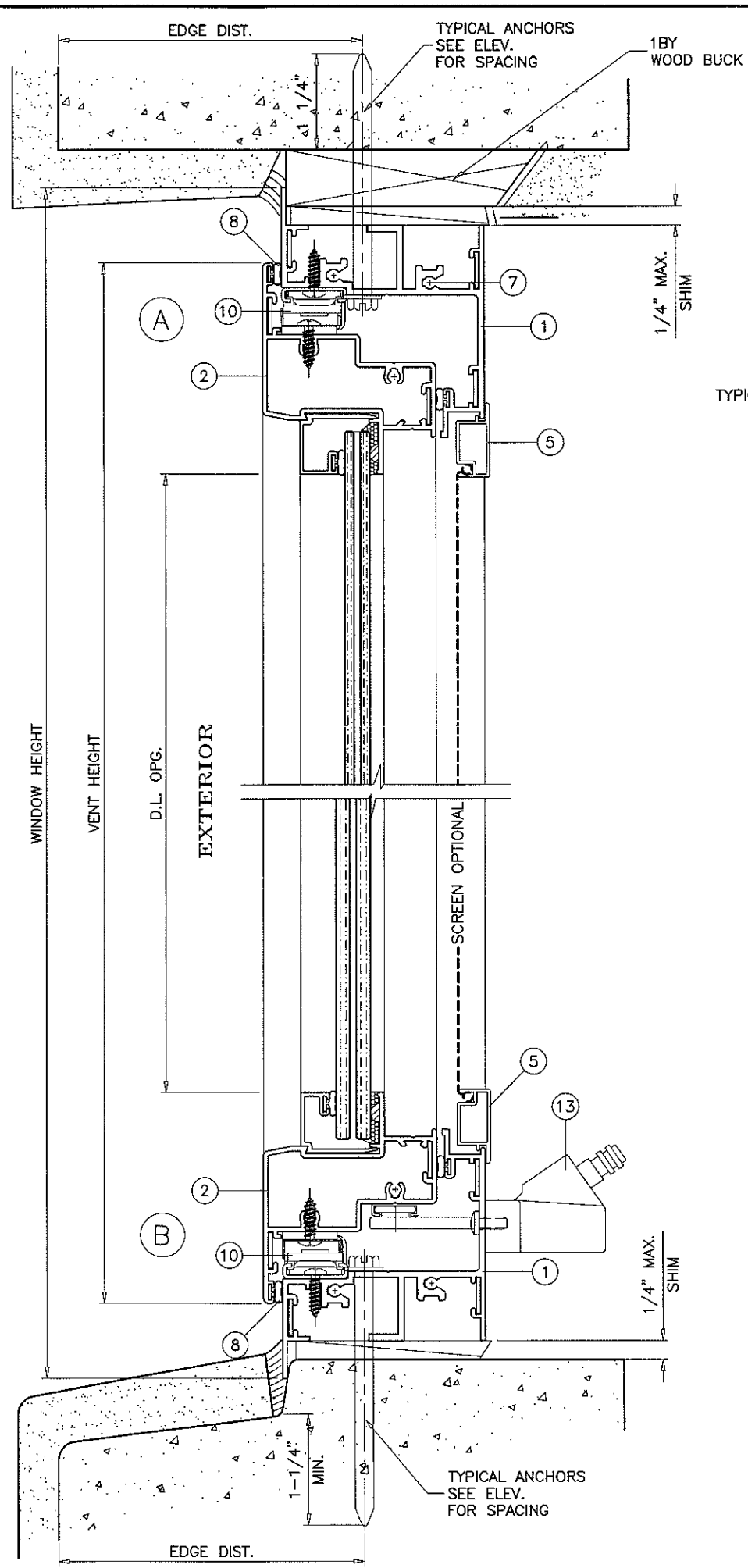


afC
AL-FAROOQ CORPORATION
ENGINEERS & PRODUCT DEVELOPMENT
9360 SUNSET DRIVE, SUITE 220
MIAMI, FLORIDA 33173 (C.A.N. 3538)
TEL. (305) 262-6978
FAX (305) 264-8100

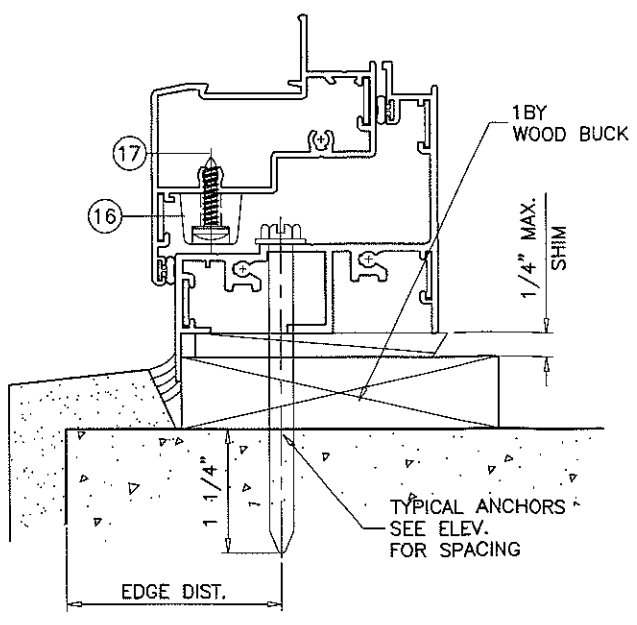
S-500 ALUM OUTSWING CASEMENT WDW. (S.M.I.)
ECO WINDOW SYSTEMS, LLC.
8502 N.W. 80th STREET
MEDLEY, FL. 33166
TEL. (305) 885-5299
FAX (305) 885-5902

no	date	description
A	06.10.16	REV. PER RER COMMENTS
B	09.27.17	UPDATED TO 2017 FBC

date: 03-27-15
scale: 1/2"=1'-0"
dr. by: TARIO
chk. by:
drawing no.
W15-13
sheet 1 of 6



WOOD BUCKS AND METAL STRUCTURE NOT BY ECO WDW. MUST SUSTAIN LOADS IMPOSED BY GLAZING SYSTEM AND TRANSFER THEM TO THE BUILDING STRUCTURE.



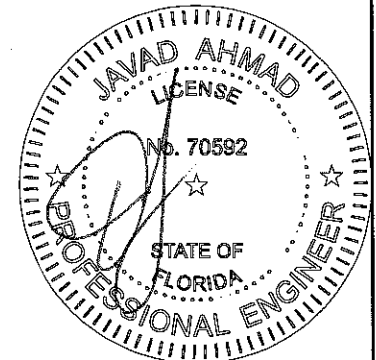
TYPICAL ANCHORS: SEE ELEV. FOR SPACING
 1/4" DIA. ULTRACON BY 'ELCO' (Fu=177 KSI, Fy=155 KSI)
 INTO 2BY WOOD BUCKS OR WOOD STRUCTURES
 1-1/2" MIN. PENETRATION INTO WOOD (HEAD/SILL/JAMBS)
 THRU 1BY BUCKS INTO CONC. OR BLOCKS
 1-1/4" MIN. EMBED INTO CONCRETE (HEAD/SILL/JAMBS)
 1-1/4" MIN. EMBED INTO BLOCKS (JAMBS)
 DIRECTLY INTO CONCRETE OR BLOCKS
 1-1/4" MIN. EMBED INTO CONCRETE (HEAD/SILL/JAMBS)
 1-1/4" MIN. EMBED INTO BLOCKS (JAMBS)

#14 SMS OR SELF DRILLING SCREWS (GRADE 2 CRS)
 INTO METAL STRUCTURES (HEAD/SILL/JAMBS)
 (3) THREADS MIN. PENETRATION BEYOND SUBSTRATE
 ALUMINUM: 1/8" THK. MIN. (6063-T5 MIN.)
 STEEL: 1/8" THK. MIN. (Fy = 36 KSI MIN.)
 (STEEL IN CONTACT WITH ALUMINUM TO BE PLATED OR PAINTED)

#12 SMS OR SELF DRILLING SCREWS (GRADE 2 CRS)
 INTO MIAMI-DADE COUNTY APPROVED MULLIONS
 (3) THREADS MIN. PENETRATION BEYOND SUBSTRATE
 (NO SHIM SPACE)
 ALUMINUM: 1/8" THK. MIN. (6063-T5 MIN.)
 STEEL: 1/8" THK. MIN. (Fy = 36 KSI MIN.)
 (STEEL IN CONTACT WITH ALUMINUM TO BE PLATED OR PAINTED)

TYPICAL EDGE DISTANCE
 INTO CONCRETE AND MASONRY = 2-1/2" MIN.
 INTO WOOD STRUCTURE = 1" MIN.
 INTO METAL STRUCTURE = 3/4" MIN.
 WOOD AT HEAD, SILL OR JAMBS SG = 0.55 MIN.
 CONCRETE AT HEAD, SILL OR JAMBS f'c = 3000 PSI MIN.
 C-90 HOLLOW/FILLED BLOCK AT JAMBS f'm = 2000 PSI MIN.

PRODUCT REVISED
 as complying with the Florida
 Building Code
 Acceptance No 17-1011-21
 Expiration Date 06/23/2021
 By Sifang zhao
 Miami Dade Product Control



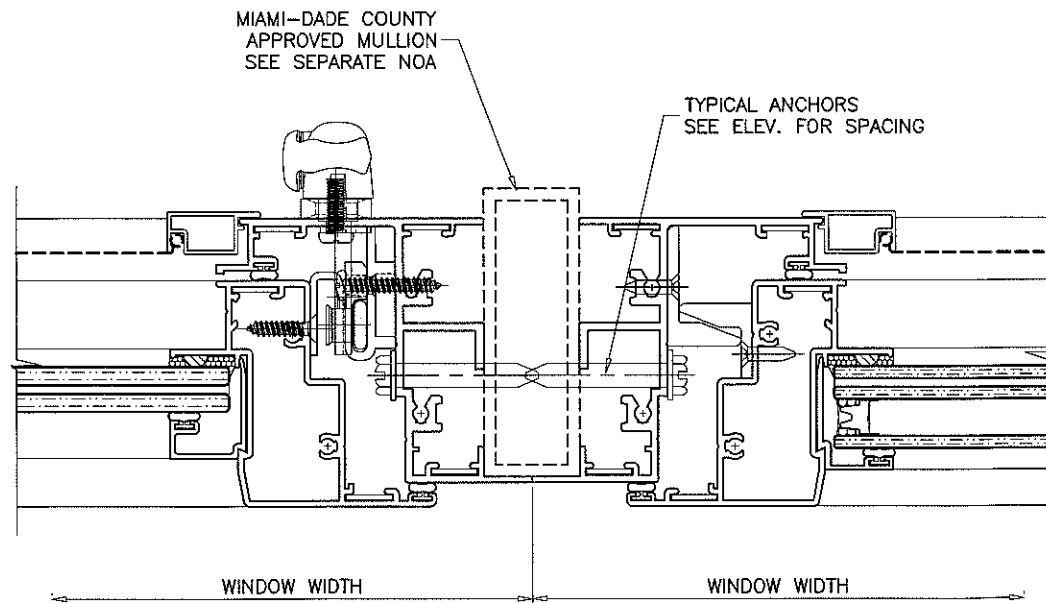
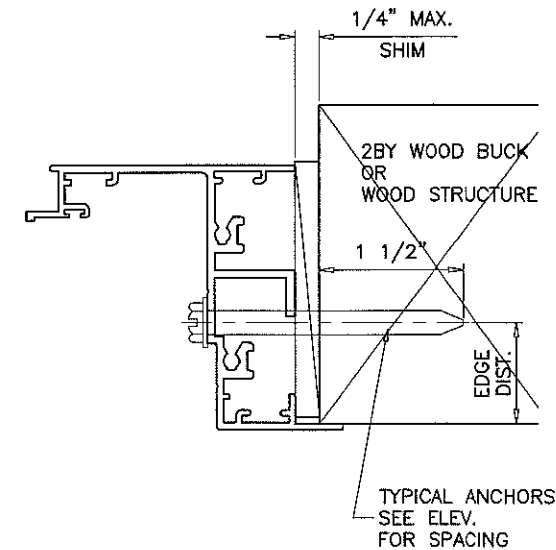
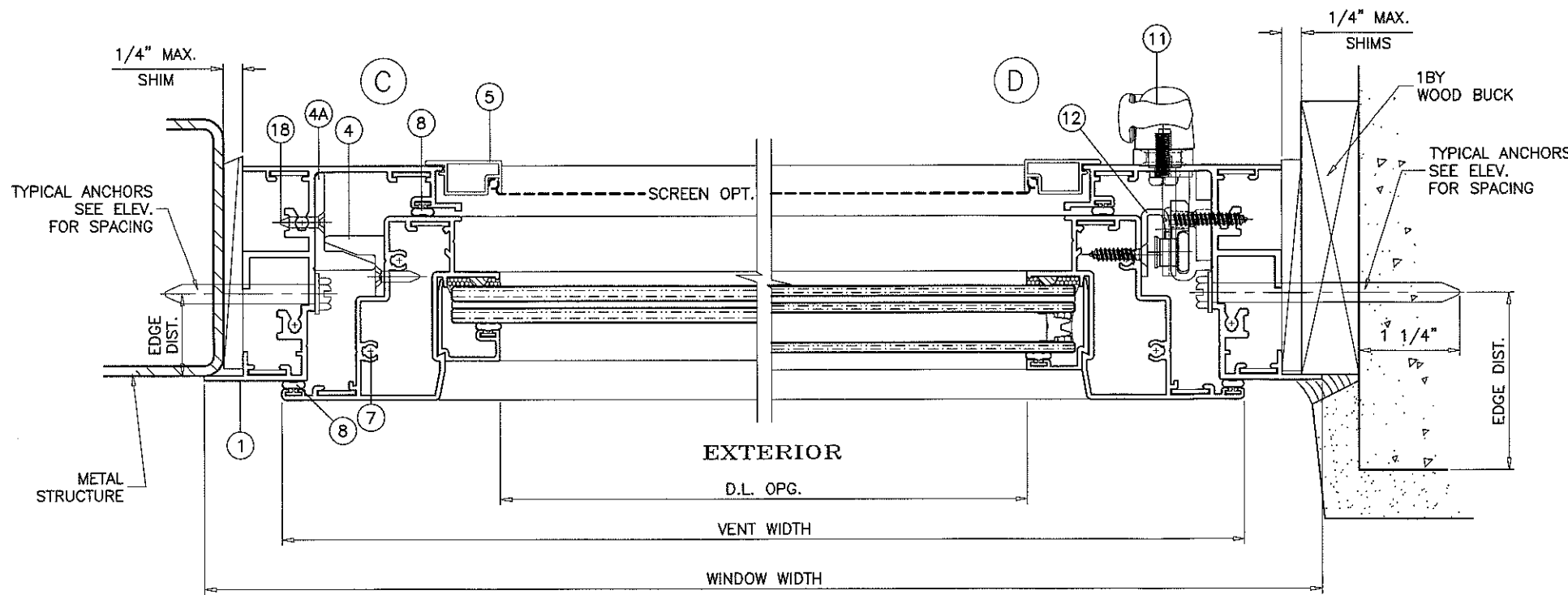
af c
AL-FAROOQ CORPORATION
 ENGINEERS & PRODUCT DEVELOPMENT
 9360 SUNSET DRIVE, SUITE 220 (C.A.N. 3538)
 MIAMI, FLORIDA 33173
 TEL. (305) 264-8100 FAX. (305) 262-6978
 COMP-ANL\W15-13ECO

S-500 ALUM OUTSWING CASEMENT WDW. (S.M.I.)
ECO WINDOW SYSTEMS, LLC.
 8502 N.W. 80th STREET
 MEDLEY, FL. 33166
 TEL. (305) 885-5299 FAX (305) 885-5902

no	date	description
A	05.10.16	REV. PER RER COMMENTS
B	09.27.17	UPDATED TO 2017 FBC

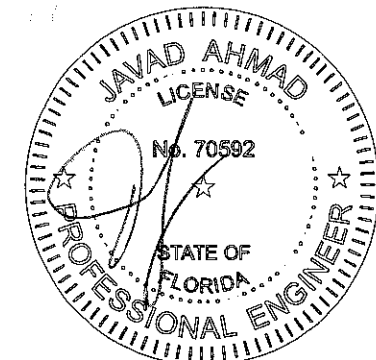
date: 03-27-15
 scale: 1/2" = 1"
 dr. by: TARIQ
 chk. by:

drawing no.
W15-13
 sheet 2 of 6



PRODUCT REVISED
 as complying with the Florida
 Building Code
 Acceptance No 17-1011-21
 Expiration Date 06/23/2021

By _____
 Miami Dade Product Control



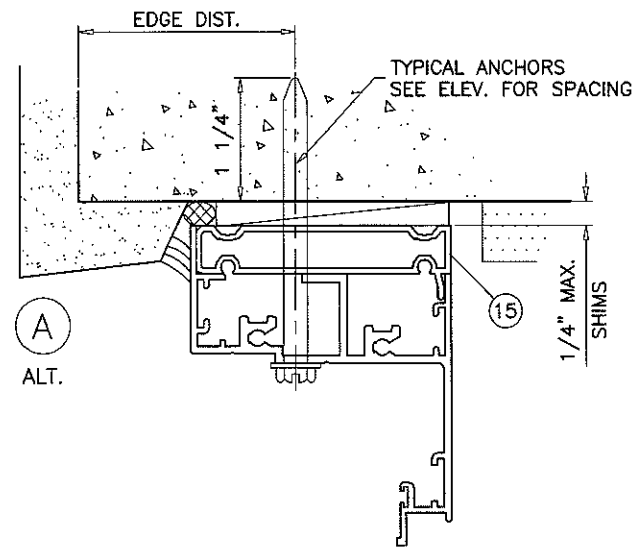
AL-FAROOQ CORPORATION
 ENGINEERS & PRODUCT DEVELOPMENT
 9360 SUNSET DRIVE, SUITE 220
 MIAMI, FLORIDA 33173 (C.A.N. 3538)
 TEL. (305) 264-8100 FAX. (305) 262-6978
 COMP-ANL\W15-13ECO

S-500 ALUM OUTSWING CASEMENT WDW. (S.M.I.)
ECO WINDOW SYSTEMS, LLC.
 8502 N.W. 80th STREET
 MEDLEY, FL. 33166
 TEL. (305) 885-5299 FAX (305) 885-5902

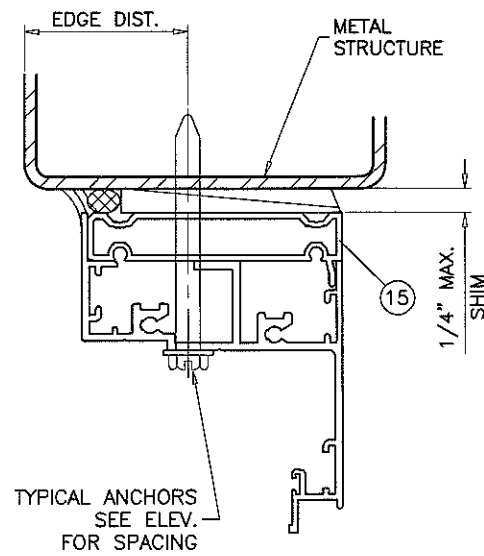
no	date	by	description
A	06.10.16		NO CHANGE THIS SHEET
B	09.27.17		UPDATED TO 2017 FBC

date:	03-27-15
scale:	1/2" = 1"
dr. by:	TARIQ
chk. by:	

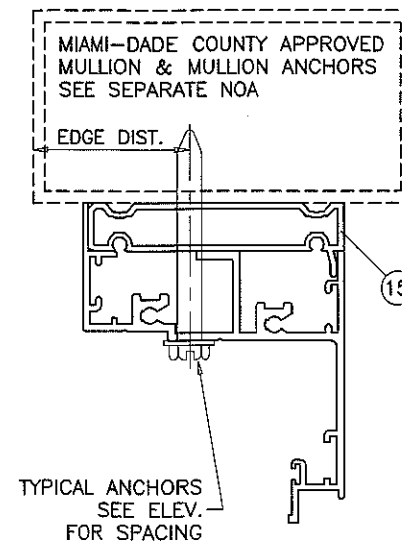
drawing no.
W15-13
 sheet 3 of 6



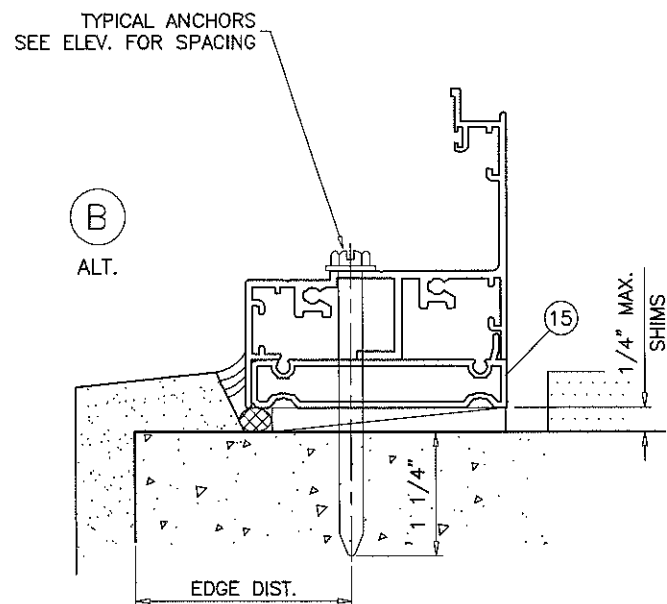
(A)
ALT.



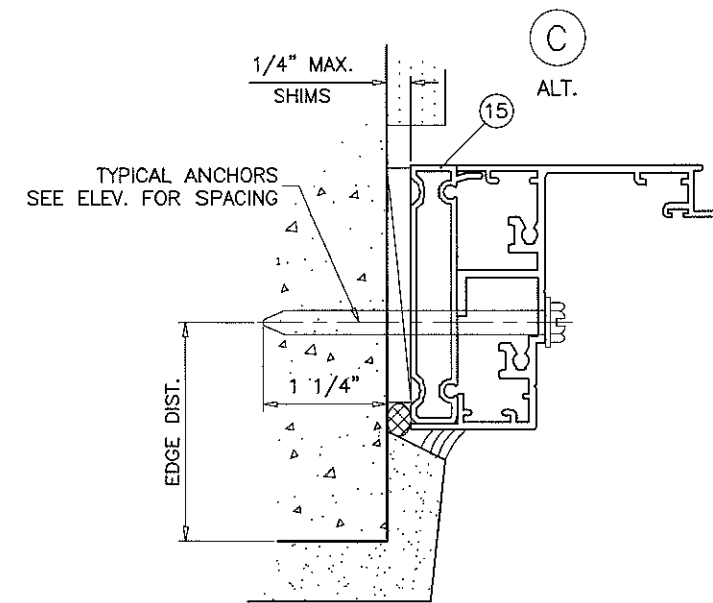
TYPICAL ANCHORS
SEE ELEV.
FOR SPACING



TYPICAL ANCHORS
SEE ELEV.
FOR SPACING



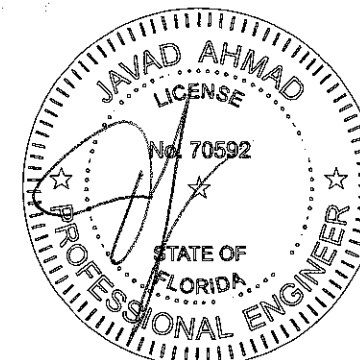
(B)
ALT.



(C)
ALT.

INSTALLATION DETAILS WITH FLUSH FRAME ADAPTER

PRODUCT REVISED
to comply with the Florida
Building Code
Acceptance No 17-1011.21
Expiration Date 06/23/2021
By Sifang Zhao
Miami Dade Product Control



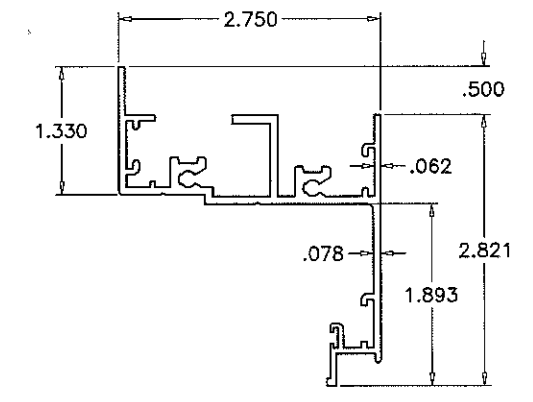
af c
AL-FAROOQ CORPORATION
ENGINEERS & PRODUCT DEVELOPMENT
9360 SUNSET DRIVE, SUITE 220
MIAMI, FLORIDA 33173 (C.A.N. 3538)
TEL. (305) 264-8100 FAX. (305) 262-6978
COMP-ANL \ W15-13ECO

S-500 ALUM OUTSWING CASEMENT WDW. (S.M.I.)
ECO WINDOW SYSTEMS, LLC.
8502 N.W. 80th STREET
MEDLEY, FL. 33166
TEL. (305) 885-5299 FAX (305) 885-5902

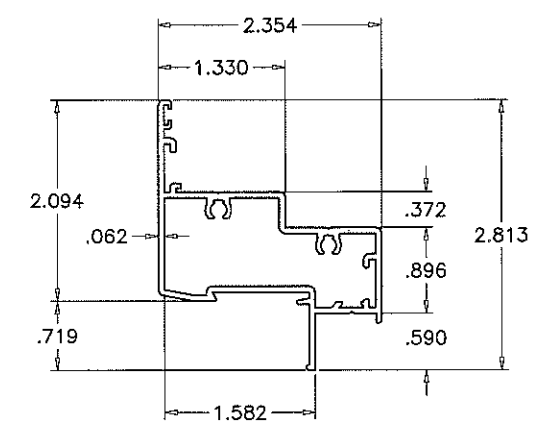
revisions:		date	description
A	06.10.16	NO CHANGE THIS SHEET	
B	09.27.17	UPDATED TO 2017 FBC	

date: 03-27-15	scale: 1/2" = 1"	dr. by: TARIQ	chk. by:
drawing no. W15-13			
sheet 4 of 6			

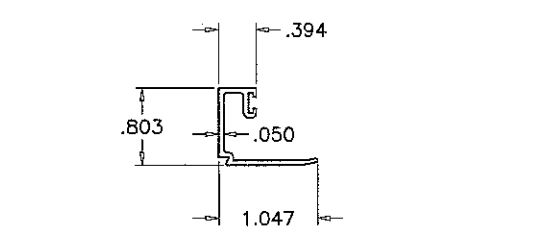
ITEM	PART #	QUANTITY	DESCRIPTION	MATERIAL	MANF./SUPPLIER/REMARKS
1	E501	4	FRAME HEAD/SILL/JAMB	6063-T6	-
2	E502	4	VENT	6063-T6	-
3	FY109	AS REQD.	GLAZING BEAD (7/16" LAM. GLASS)	6063-T6	-
3A	E505	AS REQD.	GLAZING BEAD (INSUL. LAM. GLASS)	6063-T6	-
4	E508	AS REQD.	SNUBBER - VENT (LENGTH = VENT HT.)	6063-T6	-
4A	E509	AS REQD.	SNUBBER - FRAME (LENGTH = VENT HT.)	6063-T6	-
5	E506	OPTIONAL	SCREEN FRAME	6063-T5	-
7	#10 X 1-1/4"	AS REQD.	FRAME AND VENT ASSEMBLY SCREWS	-	H WH SMS
8	E203	AS REQD.	BULB WEATHERSTRIPPING, DUROMETER 65	SANTOPRENE	ULTRAFAB
9	E203	AS REQD.	GLAZING BEAD BULB, DUROMETER 65	SANTOPRENE	ULTRAFAB
10	35.12.00.400	2/ VENT	4 BAR HINGE, AT TOP AND BOTTOM	STEEL	TRUTH, INSTALLED WITH (2) #10 X 3/4" SDS
11	13096.92	1	MULTI POINT LOCK SYSTEM	ZAMAK	TRUTH
12	-	AS REQD.	KEEPER	STEEL	SEE SHEET 1 FOR QUANTITIES
13	-	1/ VENT	ROTO OPERATOR	ZAMAK/STL.	TRUTH
14	PSJ40-SS	2/ CORNER	FRAME/VENT CORNER KEY	ST. STEEL	-
15	FY120	AS REQD.	FLUSH FRAME ADAPTER	6063-T6	OPTIONAL
16	-	3	ANTI SAG SKATE	NYLON	M&M PLASTICS
17	#10 X 1-1/4"	2/ SKATE	FH SDS SKATE SCREWS	-	-
18	#8 X 3/4"	AS REQD.	SNUBBER SCREWS, FH SELF DRILLING	-	IN PAIRS 2" APART, PAIRS SPACED AT 7-3/4" O.C.
19	-	2/ LITE	SETTING BLOCK, 3/16" X 3/4" X 4" LONG	EPDM	DUROMETER 80±5 SHORE A
20	FLB-50	-	GLASS SPACER - 1/8" HIGH	SILICONE	FRANK LOWE



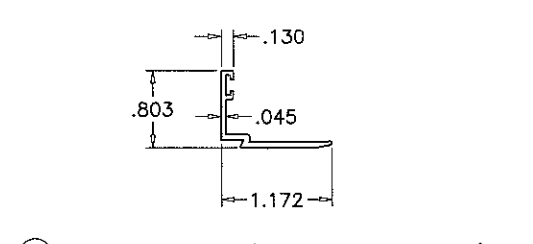
① FRAME HEAD/SILL/JAMB



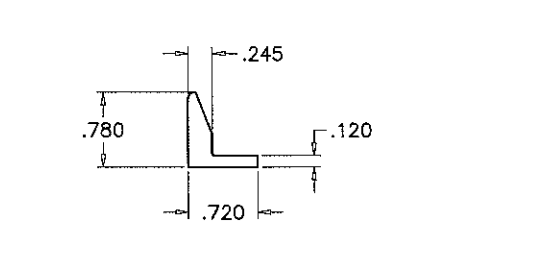
② VENT



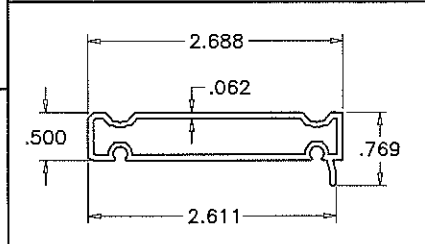
③ GLAZING BEAD (7/16" LAM. GLASS)



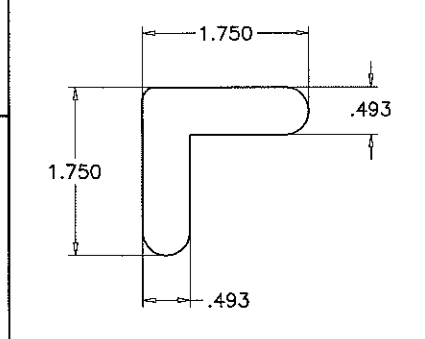
③A GLAZING BEAD (INSUL. LAM. GLASS)



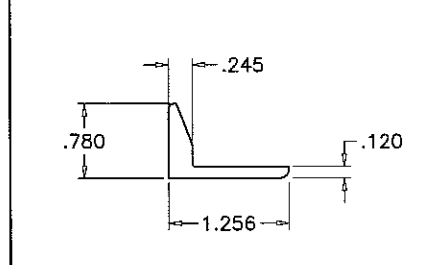
④ SNUBBER - VENT



⑮ FLUSH FRAME ADAPTER



⑭ CORNER KEY



④A SNUBBER - FRAME

SEALANT:

ALL JOINTS AND FRAME CONNECTIONS SEALED WITH SCHNEE-MOREHEAD SM5504 SEAM SEALER. PARIMETER CAULKING SICAFLEX 15LM ON EXTERIOR ONLY.

LOCKS:

MULTIPOINT LOCK SYSTEM #13096.92 BY 'TRUTH' AT FRAME JAMB
 LOCK OPERATOR #24.33.XX.004 AT 8-1/2" FROM SILL FASTENED TO JAMBS WITH (2) #10 X 1/2" PH SMS.
 LOCK BAR SECURED TO JAMB WITH LOCK GUIDES #33489.00.0001 SPACED AT 12-3/4" O.C. MAX. EACH GUIDE FASTENED WITH (2) #8 X 1" PH SMS

STAINLESS STEEL KEEPERS #31964.92 AT VENT EACH FASTENED WITH (2) #8 X 3/4" FH SDS SEE CHART ON SHEET 1 FOR QUANTITIES

HINGES:

4 BAR ST/ST HINGES #35.12.00.400 BY 'TRUTH' LOCATED AT TOP AND BOTTOM CORNERS, FASTENED TO FRAME WITH (2) #10 X 3/4" PH SMS VENT WITH (2) #10 X 3/4" PH SMS

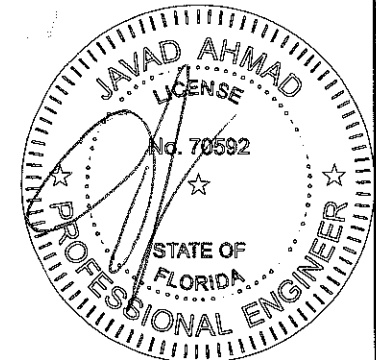
OPERATOR:

SINGLE ARM ROTO OPERATOR #52.13.012 BY 'TRUTH' LOCATED AT SILL END FASTENED WITH (6) #10 X 1" FH SMS OPERATOR TRACK #30175 AT BOTTOM RAIL FASTENED WITH (2) #10 X 1" P PH SMS

ANTI-SAG SKATES:

VINYL ANTI-SAG SKATES BY 'M&M PLASTICS' (2) AT LOCK STILE AT 6-3/4" FROM TOP/BOTTOM RAILS (1) AT BOTTOM RAIL AT 4" FROM LOCK STILE EACH FASTENED WITH (2) #10 X 1-1/4" FH SDS.

PRODUCT REVISED
 as complying with the Florida
 Building Code
 Acceptance No 17-1011.21
 Expiration Date 06/23/2021
 By Sifang Zhao
 Miami Dade Product Control



a f c
AL-FAROOQ CORPORATION
 ENGINEERS & PRODUCT DEVELOPMENT
 9360 SUNSET DRIVE, SUITE 220 (C.A.N. 3538)
 MIAMI, FLORIDA 33173 FAX. (305) 262-6978
 TEL. (305) 264-8100

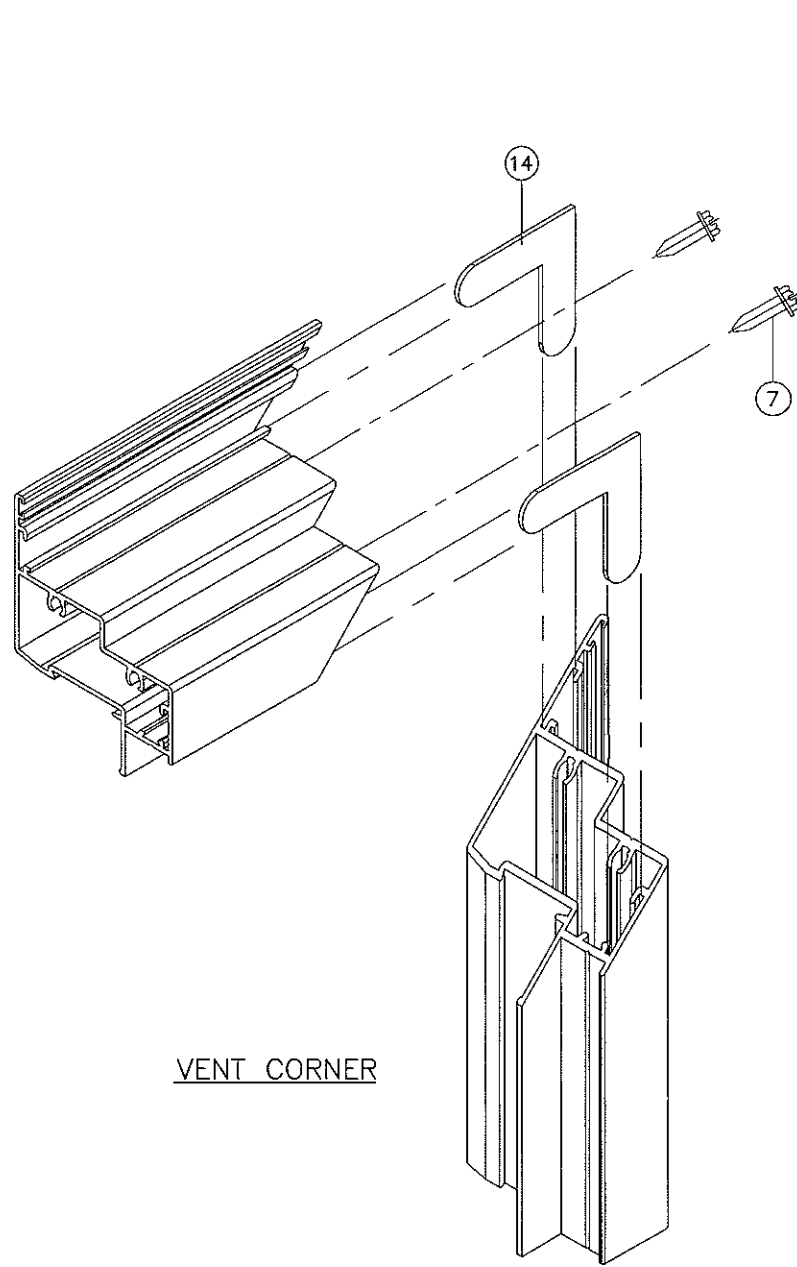
S-500 ALUM OUTSWING CASEMENT WDW. (S.M.I.)
ECO WINDOW SYSTEMS, LLC.
 8502 N.W. 80th STREET
 MEDLEY, FL. 33166
 TEL. (305) 885-5299 FAX (305) 885-5902

no	date	description
A	06.10.16	REV. PER RER COMMENTS
B	09.27.17	UPDATED TO 2017 FBC

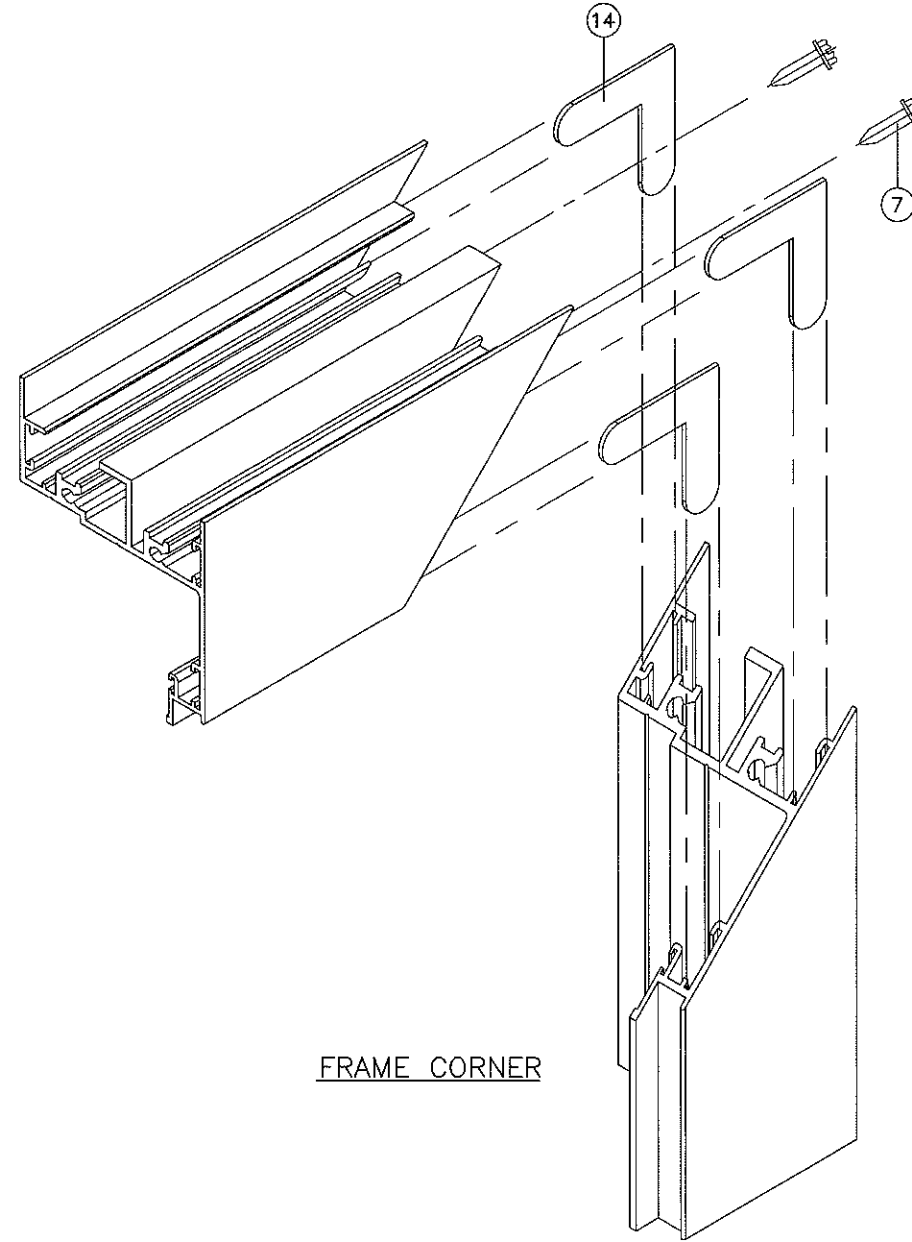
date: 03-27-15
 scale: 1/2" = 1"
 dr. by: TARIQ
 chk. by:

drawing no.
W15-13
 sheet 5 of 6

COMP-ANL\W15-13ECO

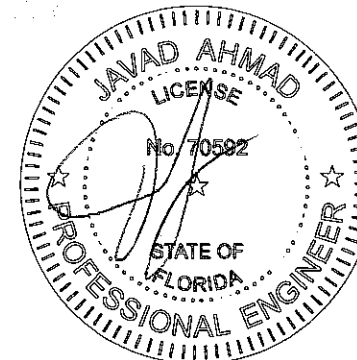


VENT CORNER



FRAME CORNER

PRODUCT REVISED
 as complying with the Florida
 Building Code
 Acceptance No. 17-1011.21
 Expiration Date 06/23/2021
 By Sifang Zhao
 Miami Dade Product Control



AL-FAROOQ CORPORATION ENGINEERS & PRODUCT DEVELOPMENT 9360 SUNSET DRIVE, SUITE 220 MIAMI, FLORIDA 33173 (C.A.N. 3538) TEL. (305) 264-8100 FAX. (305) 262-6978 COMP-ANL\W15-13ECO																	
S-500 ALUM OUTSWING CASEMENT WDW. (S.M.I.) ECO WINDOW SYSTEMS, LLC. 8502 N.W. 80th STREET MEDLEY, FL. 33166 TEL. (305) 885-5299 FAX (305) 885-5902																	
revisions: <table border="1" style="width: 100%; border-collapse: collapse;"> <thead> <tr> <th>no</th> <th>date</th> <th>by</th> <th>description</th> </tr> </thead> <tbody> <tr> <td>A</td> <td>06.10.16</td> <td></td> <td>NO CHANGE THIS SHEET</td> </tr> <tr> <td>B</td> <td>09.27.17</td> <td></td> <td>UPDATED TO 2017 FBC</td> </tr> </tbody> </table>	no	date	by	description	A	06.10.16		NO CHANGE THIS SHEET	B	09.27.17		UPDATED TO 2017 FBC	<table border="1" style="width: 100%; border-collapse: collapse;"> <tr> <td>date: 03-27-15</td> <td>scale: 1/2" = 1"</td> </tr> <tr> <td>dr. by: TARIQ</td> <td>chk. by:</td> </tr> </table>	date: 03-27-15	scale: 1/2" = 1"	dr. by: TARIQ	chk. by:
no	date	by	description														
A	06.10.16		NO CHANGE THIS SHEET														
B	09.27.17		UPDATED TO 2017 FBC														
date: 03-27-15	scale: 1/2" = 1"																
dr. by: TARIQ	chk. by:																
drawing no. W15-13 sheet 6 of 6																	