



DEPARTMENT OF REGULATORY AND ECONOMIC RESOURCES (RER)
BOARD AND CODE ADMINISTRATION DIVISION

MIAMI-DADE COUNTY
PRODUCT CONTROL SECTION
11805 SW 26 Street, Room 208
Miami, Florida 33175-2474
T (786) 315-2590 F (786) 315-2599

NOTICE OF ACCEPTANCE (NOA)

www.miamidade.gov/economy

Homeland Vinyl Products, Inc.
3300 Pinson Valley Parkway
Birmingham, AL 35217

SCOPE:

This NOA is being issued under the applicable rules and regulations governing the use of construction materials. The documentation submitted has been reviewed and accepted by Miami-Dade County RER- Product Control Section to be used in Miami Dade County and other areas where allowed by the Authority Having Jurisdiction (AHJ).

This NOA shall not be valid after the expiration date stated below. The Miami-Dade County Product Control Section (In Miami Dade County) and/or the AHJ (in areas other than Miami Dade County) reserve the right to have this product or material tested for quality assurance purposes. If this product or material fails to perform in the accepted manner, the manufacturer will incur the expense of such testing and the AHJ may immediately revoke, modify, or suspend the use of such product or material within their jurisdiction. RER reserves the right to revoke this acceptance, if it is determined by Miami-Dade County Product Control Section that this product or material fails to meet the requirements of the applicable building code.

This product is approved as described herein, and has been designed to comply with the High Velocity Hurricane Zone of the Florida Building Code.

DESCRIPTION: PVC Privacy Fence Panels

APPROVAL DOCUMENT: Drawing No. FBC-175.550, titled “ Gorilla Pocket Rail Vinyl Privacy Fence ”, dated 01/22/18, last revision #B pages 1 through 2 of 2, and Drawing No. FBC-200.700, titled “ Nexus Pocket Rail Vinyl Privacy Fence ”, dated 01/22/18, last revision #B, pages 1 through 2 of 2 signed and sealed by Carl Anthony Hazenberg, P.E. on 08/20/18, bearing the Miami-Dade County Product Control Approval stamp with the Notice of Acceptance number and the approval date by the Miami-Dade County Product Control Section.

MISSILE IMPACT RATING: None

LABELING: Each fence panel shall bear a permanent label with the manufacturer's name or logo, city, state and the following statement: "Miami-Dade County Product Control Approved", unless otherwise noted herein.

RENEWAL of this NOA shall be considered after a renewal application has been filed and there has been no change in the applicable building code negatively affecting the performance of this product.

TERMINATION of this NOA will occur after the expiration date or if there has been a revision or change in the materials, use, and/or manufacture of the product or process. Misuse of this NOA as an endorsement of any product, for sales, advertising or any other purposes shall automatically terminate this NOA. Failure to comply with any section of this NOA shall be cause for termination and removal of NOA.

ADVERTISEMENT: The NOA number preceded by the words Miami-Dade County, Florida, and followed by the expiration date may be displayed in advertising literature. If any portion of the NOA is displayed, then it shall be done in its entirety.

INSPECTION: A copy of this entire NOA shall be provided to the user by the manufacturer or its distributors and shall be available for inspection at the job site at the request of the Building Official.

This NOA consists of this page 1, evidence submitted page E-1 as well as approval document mentioned above. The submitted documentation was reviewed by **Helmy A. Makar, P.E., M.S.**



Helmy A. Makar
01/17/2019

NOA No. 18-0222.11
Expiration Date: 01/17/2024
Approval Date: 01/17/2019

Homeland Vinyl Products, Inc.

NOTICE OF ACCEPTANCE: EVIDENCE SUBMITTED

A. DRAWINGS

1. *Drawing No. FBC-175.550, titled " Gorilla Pocket Rail Vinyl Privacy Fence ", dated 01/22/18, last revision #B pages 1 through 2 of 2, and Drawing No. FBC-200.700, titled " Nexus Pocket Rail Vinyl Privacy Fence ", dated 01/22/18, last revision #B, pages 1 through 2 of 2 signed and sealed by Carl Anthony Hazenberg, P.E. on 08/20/18.*

B. TESTS

1. *Test Report # H7214.01-119-18-R0, dated April 09, 2018, issued by Intertek, for Series/Model Gorilla Pocket and Nexus Pocket PVC Fence Panels, signed and sealed by Gary T. Hartman, P.E. on April 10, 2018.*
2. *Test Report # H6043.01-119-18-R0, dated August 06, 2018, issued by Intertek, for the approval of plastic tests per checklist #0445, signed and sealed by Gary T. Hartman, P.E. on August 06, 2018.*

C. CALCULATIONS

1. *Fence and Post Analysis, dated January 25, 2018, 8 sheets, signed and sealed by Gary T. Hartman, P.E.*

D. QUALITY ASSURANCE

1. *By Miami-Dade County Department of Regulatory and Economic Resources.*

E. MATERIAL CERTIFICATIONS

1. *Test Report # H6043.01-119-18-R0, dated August 06, 2018, issued by Intertek, for the approval of plastic tests per checklist #0445, signed and sealed by Gary T. Hartman, P.E. on August 06, 2018 for the plastic material specifications.*

F. STATEMENTS

1. *FBC, 2017 Edition compliance letter issued by Gary T. Hartman, P.E., dated April 10, 2018, signed and sealed by Gary T. Hartman, P.E.*



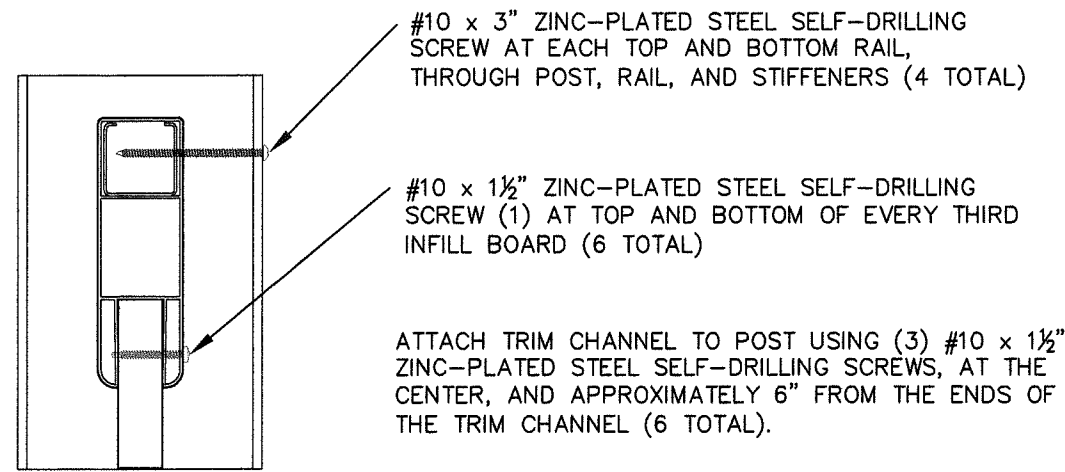
Helmy A. Makar, P.E., M.S.
Product Control Section Supervisor

NOA No. 18-0222.11

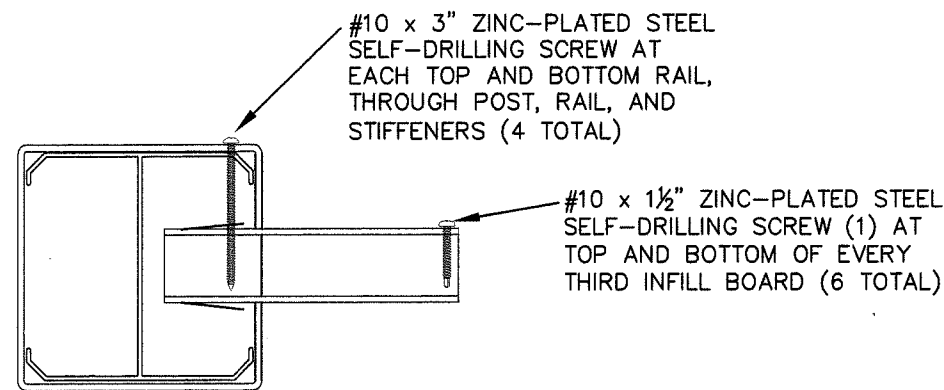
Expiration Date: 01/17/2024

Approval Date: 01/17/2019

1 3/4" x 5 1/2" GORILLA POCKET RAIL VINYL PRIVACY FENCE (6' x 6' PANEL)

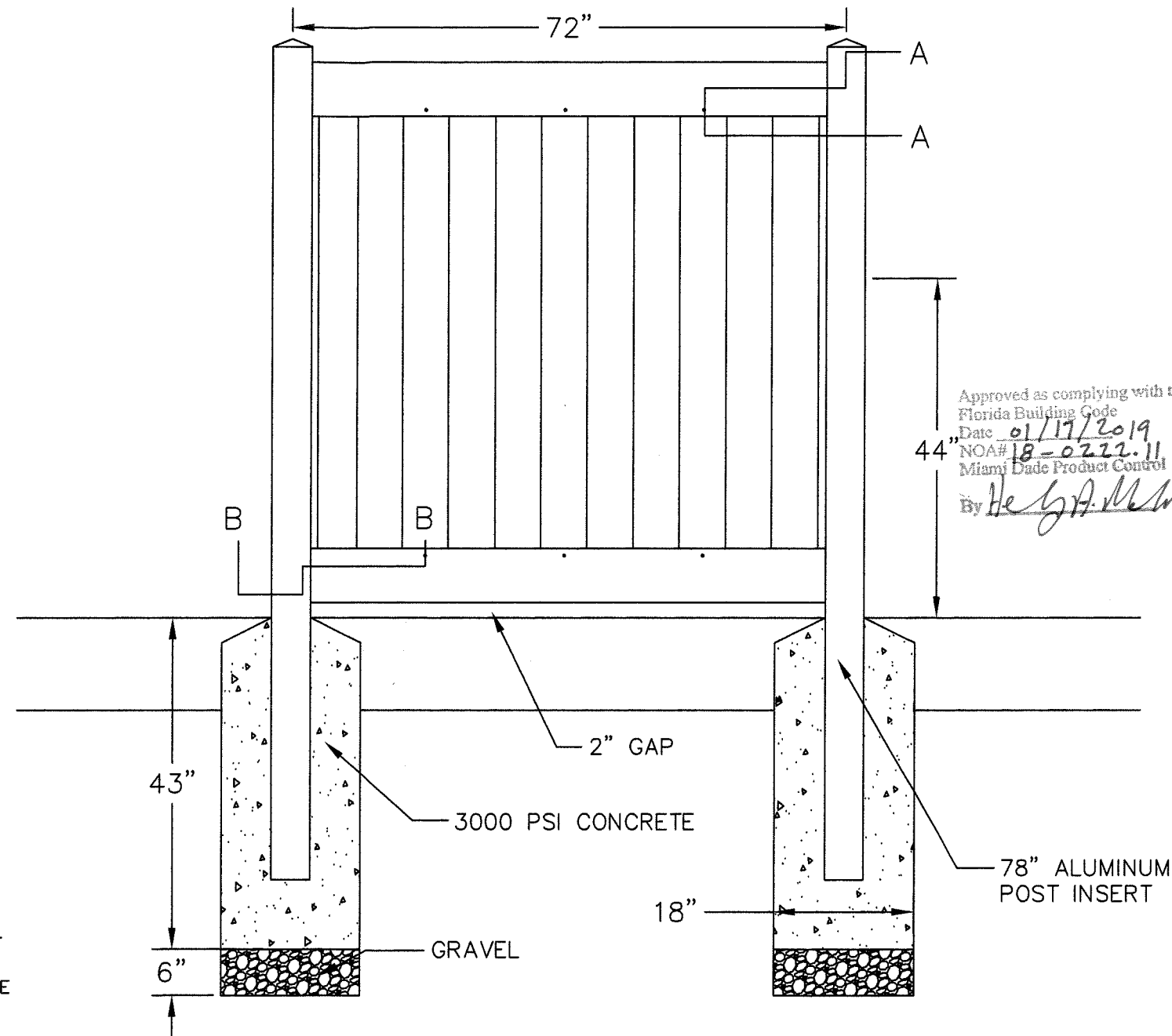


SECTION A-A



SECTION B-B

NOTE: ADD (1) 3/4" HOLE 1' FROM BOTTOM OF POST AND A SECOND 3/4" HOLE 1' ABOVE AND ON AN ADJACENT SIDE OF THE POST FROM THE FIRST HOLE TO ALLOW CONCRETE BACKFILL TO GRIP POST



Approved as complying with the Florida Building Code
 Date 01/17/2019
 NOA# 18-0222-11
 Miami Dade Product Control
 By He G.A. M...

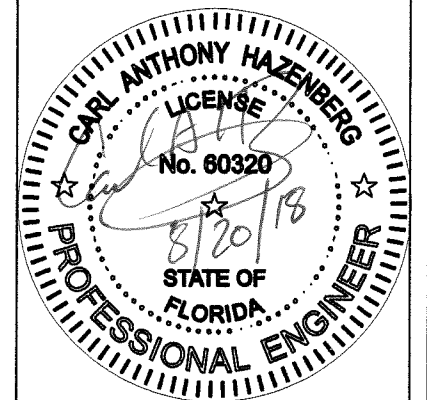


HOMELAND VINYL PRODUCTS, INC.
 3300 PINSON VALLEY PARKWAY
 BIRMINGHAM, AL 35217
 (205) 854-4330

1 3/4" x 5 1/2" GORILLA
 POCKET RAIL
 VINYL PRIVACY FENCE
 6' x 6' PANEL



4085 Devereux Chase
 Roswell, GA 30075
 678.315.1751
 CA#: 30632



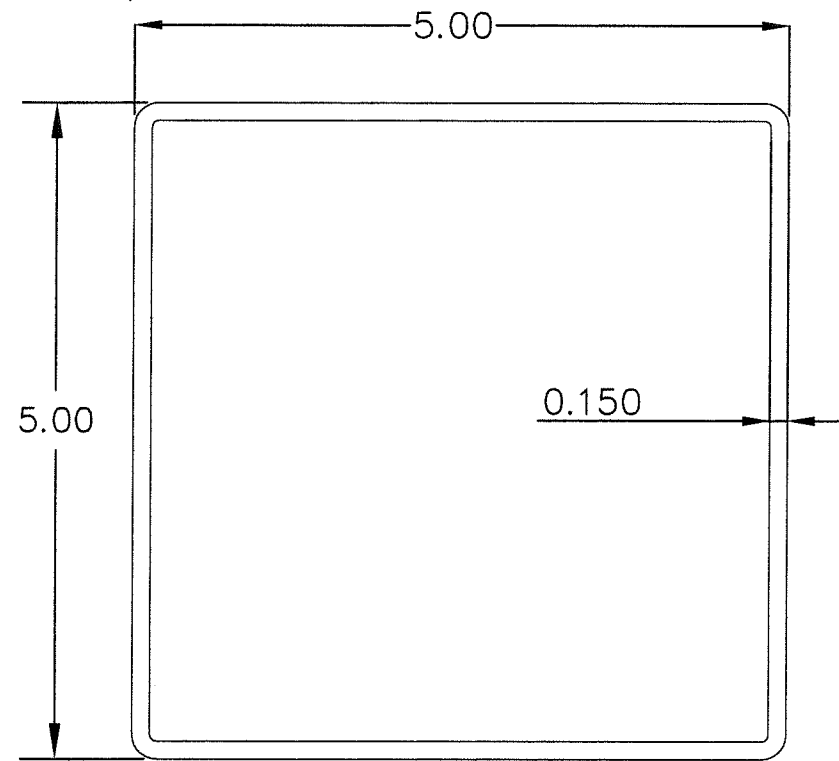
Quantity	Description	Part
2	71 1/2" x 1 3/4" x 5 1/2" GORILLA POCKET RAIL	F37C
2	7/8" x 59 1/4" TRIM CHANNEL	F83U
11	7/8" x 6" x 62 1/4" GORILLA T&G	F54G
2	5" x 5" x 9' POST (0.150" WALL)	F10C
2	71" x 1 3/4" STEEL INSERT	G3RFM147-18-71
2	5" x 5" x 78" ALUMINUM "H" INSER	G10HA
12	#8 x 1 1/2" SELF-DRILLING SCREW	
4	#8 x 3" SELF-DRILLING SCREW	

GENERAL NOTES
 --THIS FENCE SYSTEM IS DESIGNED TO WITHSTAND A 75 MPH SUSTAINED WIND AND A 115 MPH 3-SECOND GUST FOR USE IN A HIGH-VELOCITY HURRICANE ZONE (EXPOSURE CATEGORY C) IN COMPLIANCE WITH SECTION 1616.2.1 OF THE FLORIDA BUILDING CODE, 2017.
 --THIS DRAWING IS BASED ON PROPER ASSEMBLY IN THE FIELD, AND IS INTENDED FOR USE AS A GUIDE AND IS NOT SPECIFIC TO ANY PROJECT. IT SHALL BE THE RESPONSIBILITY OF THE CONTRACTOR, ARCHITECT, OR ENGINEER OF RECORD TO VERIFY SITE SPECIFIC CRITERIA, E.G. LOCAL CODE REQUIREMENTS, SOIL CONDITIONS, ETC.
 --THIS FENCE SYSTEM IS DESIGNED TO BE INSTALLED AT GROUND LEVEL AS A DECORATIVE BARRIER, AND IS NOT INTENDED FOR USE IN ELEVATED AREAS OR FOR POOL USE.
 --SURROUNDING SOIL 200 PSF MINIMUM LATERAL BEARING PRESSURE PER 2017 FBC SECTION 1806.
 --FENCE COMPONENTS ARE MANUFACTURED FROM RIGID PVC HOMOPOLYMER.
 --ALL CONCRETE SHALL HAVE A 28-DAY COMPRESSIVE STRENGTH OF 3000 PSI.

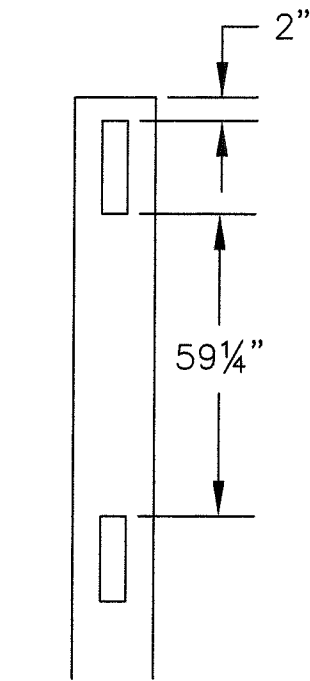
THE INFORMATION CONTAINED IN THIS DRAWING IS THE SOLE PROPERTY OF HOMELAND VINYL PRODUCTS, INC. ANY REPRODUCTION IN PART OR AS A WHOLE WITHOUT THE WRITTEN PERMISSION OF HOMELAND VINYL PRODUCTS, INC. IS STRICTLY PROHIBITED.

DRAWN BY	JVH	SCALE:	N.T.S.
DRAWING NO.	FBC-175.550	DATE	1/22/18
REVISION	B	SHEET	1 of 2

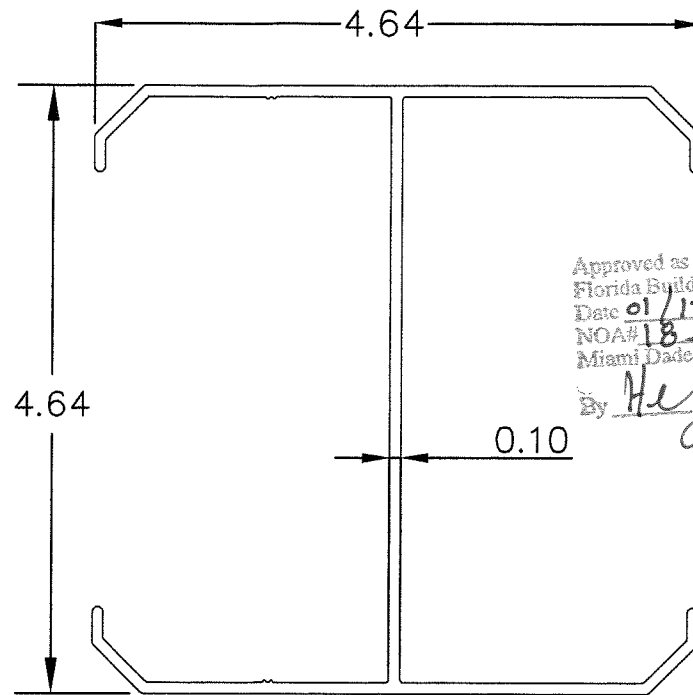
1 3/4" x 5 1/2" GORILLA POCKET RAIL VINYL PRIVACY FENCE (6' x 6' PANEL)



F10C - 5" x 5" x 9' POST

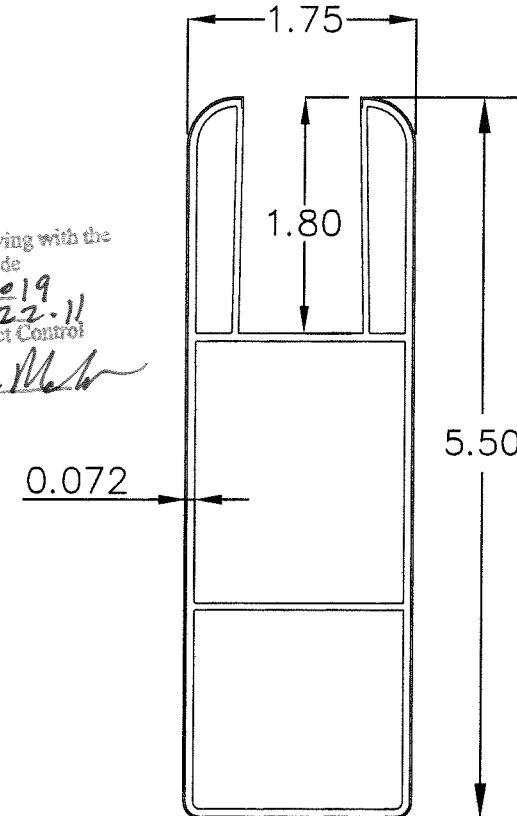


RAIL ROUTE HOLE SPACING

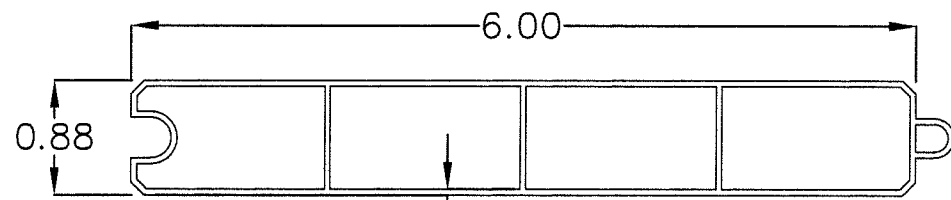


G10HA - ALUMINUM (6063-T6) POST INSERT

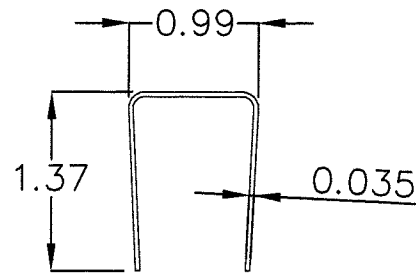
Approved as complying with the Florida Building Code
 Date 01/17/2019
 NOA# 18-0222-11
 Miami Dade Product Control
 By *Heidi A. M...*



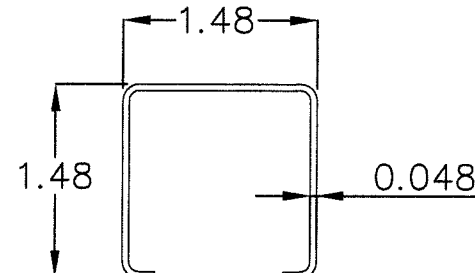
F37C - 1 3/4" x 5 1/2" GORILLA POCKET RAIL (DOUBLE NOTCHED)



F54G - GORILLA T&G BOARD



F83U 7/8" TRIM CHANNEL



G3RFM147-18-71 1 3/4" STEEL INSERT

DO NOT SCALE DRAWING
 DIMENSIONS ARE IN INCHES
 TOLERANCES:
 TWO PLACE DECIMAL +/- .02
 THREE PLACE DECIMAL +/- .010
 ANGULAR +/- 2

Quantity	Description	Part
2	71 1/2" x 1 3/4" x 5 1/2" GORILLA POCKET RAIL	F37C
2	7/8" x 59 1/4" TRIM CHANNEL	F83U
11	7/8" x 6" x 62 1/4" GORILLA T&G	F54G
2	5" x 5" x 9" POST (0.150" WALL)	F10C
2	71" x 1 3/4" STEEL INSERT	G3RFM147-18-71
2	5" x 5" x 78" ALUMINUM "H" INSERT	G10HA
12	#8 x 1 1/2" SELF-DRILLING SCREW	
4	#8 x 3" SELF-DRILLING SCREW	

GENERAL NOTES
 --THIS FENCE SYSTEM IS DESIGNED TO WITHSTAND A 75 MPH SUSTAINED WIND AND A 115 MPH 3-SECOND GUST FOR USE IN A HIGH-VELOCITY HURRICANE ZONE (EXPOSURE CATEGORY C) IN COMPLIANCE WITH SECTION 1616.2.1 OF THE FLORIDA BUILDING CODE, 2017.
 --THIS DRAWING IS BASED ON PROPER ASSEMBLY IN THE FIELD, AND IS INTENDED FOR USE AS A GUIDE AND IS NOT SPECIFIC TO ANY PROJECT. IT SHALL BE THE RESPONSIBILITY OF THE CONTRACTOR, ARCHITECT, OR ENGINEER OF RECORD TO VERIFY SITE SPECIFIC CRITERIA, E.G. LOCAL CODE REQUIREMENTS, SOIL CONDITIONS, ETC.
 --THIS FENCE SYSTEM IS DESIGNED TO BE INSTALLED AT GROUND LEVEL AS A DECORATIVE BARRIER, AND IS NOT INTENDED FOR USE IN ELEVATED AREAS OR FOR POOL USE.
 --SURROUNDING SOIL 200 PSF MINIMUM LATERAL BEARING PRESSURE PER 2017 FBC SECTION 1806.
 --FENCE COMPONENTS ARE MANUFACTURED FROM RIGID PVC HOMOPOLYMER.
 --ALL CONCRETE SHALL HAVE A 28-DAY COMPRESSIVE STRENGTH OF 3000 PSI.

THE INFORMATION CONTAINED IN THIS DRAWING IS THE SOLE PROPERTY OF HOMELAND VINYL PRODUCTS, INC. ANY REPRODUCTION IN PART OR AS A WHOLE WITHOUT THE WRITTEN PERMISSION OF HOMELAND VINYL PRODUCTS, INC. IS STRICTLY PROHIBITED.

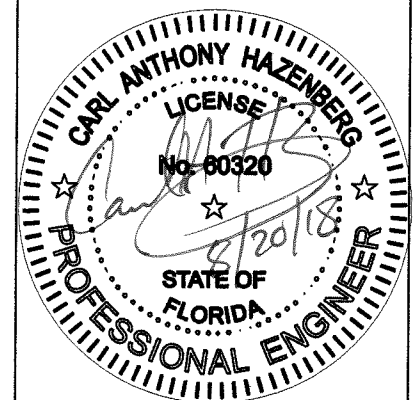


HOMELAND VINYL PRODUCTS, INC.
 3300 PINSON VALLEY PARKWAY
 BIRMINGHAM, AL 35217
 (205) 854-4330

1 3/4" x 5 1/2" GORILLA POCKET RAIL VINYL PRIVACY FENCE 6' x 6' PANEL

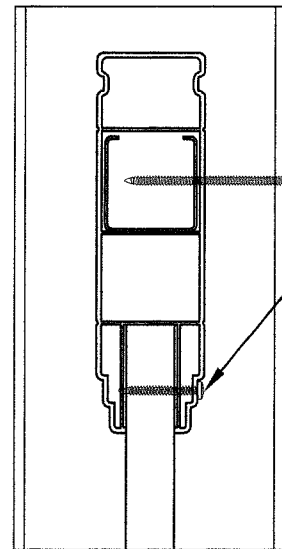


4085 Devereux Chase
 Roswell, GA 30075
 678.315.1751
 CA#: 30632



DRAWN BY JVH	SCALE: N.T.S.
DRAWING NO. FBC-175.550	DATE 1/22/18
REVISION B	SHEET 2 of 2

2" x 7" NEXUS POCKET RAIL VINYL PRIVACY FENCE (6' x 8' PANEL)

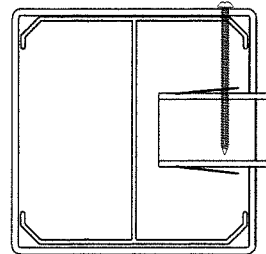


SECTION A-A

#10 x 3" ZINC-PLATED STEEL SELF-DRILLING SCREW AT EACH TOP AND BOTTOM RAIL, THROUGH POST, RAIL, AND STIFFENERS (4 TOTAL)

#10 x 1 1/2" ZINC-PLATED STEEL SELF-DRILLING SCREW (1) AT TOP AND BOTTOM OF EVERY INFILL BOARD (30 TOTAL)

ATTACH TRIM CHANNEL TO POST USING (3) #10 x 1 1/2" ZINC-PLATED STEEL SELF-DRILLING SCREWS, AT THE CENTER, AND APPROXIMATELY 6" FROM THE ENDS OF THE TRIM CHANNEL (6 TOTAL).

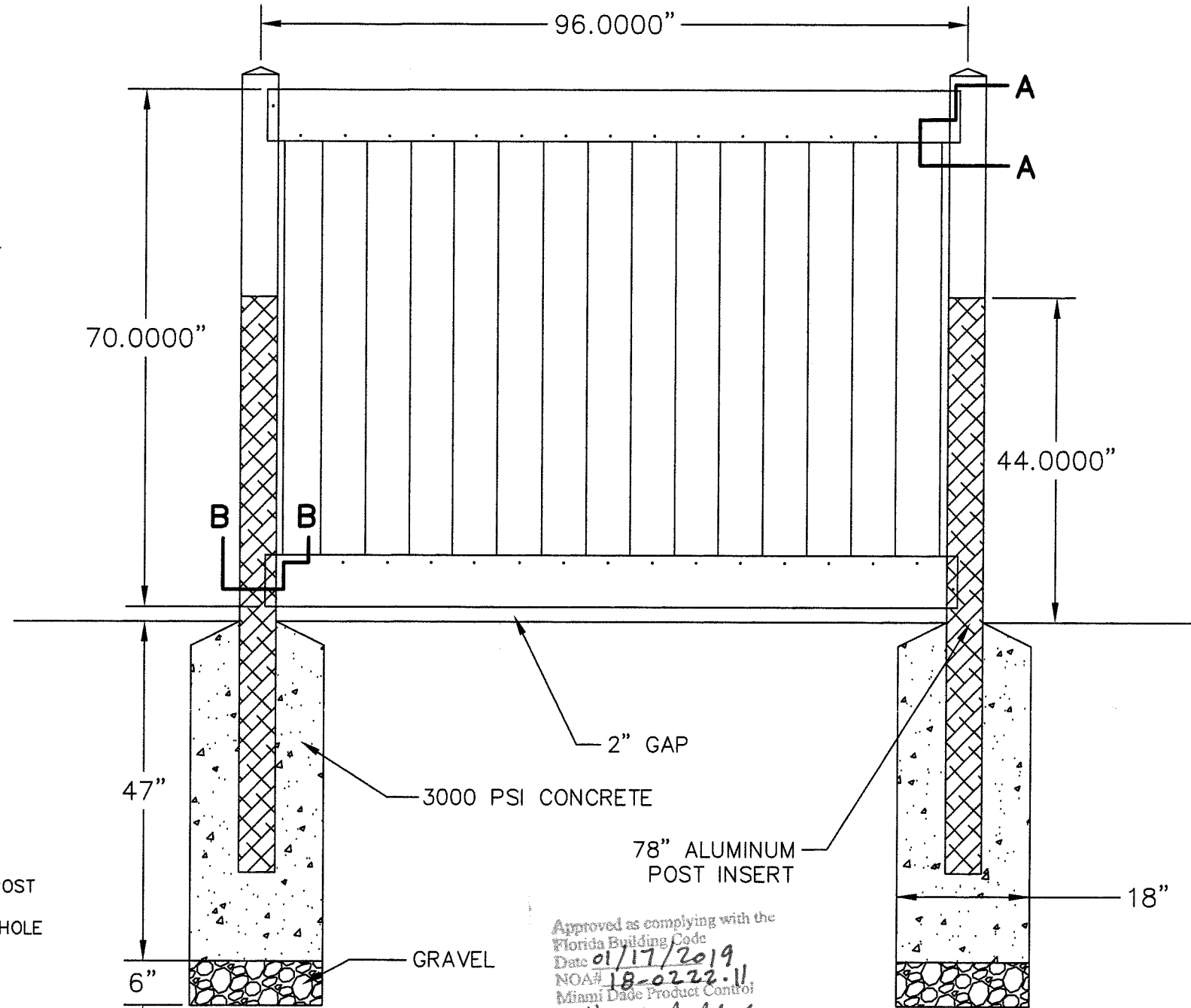


SECTION B-B

#10 x 3" ZINC-PLATED STEEL SELF-DRILLING SCREW AT EACH TOP AND BOTTOM RAIL, THROUGH POST, RAIL, AND STIFFENERS (4 TOTAL)

#10 x 1 1/2" ZINC-PLATED STEEL SELF-DRILLING SCREW (1) AT TOP AND BOTTOM OF EVERY INFILL BOARD (30 TOTAL)

NOTE: ADD (1) 3/4" HOLE 1' FROM BOTTOM OF POST AND A SECOND 3/4" HOLE 1' ABOVE AND ON AN ADJACENT SIDE OF THE POST FROM THE FIRST HOLE TO ALLOW CONCRETE BACKFILL TO GRIP POST



Approved as complying with the Florida Building Code
 Date 01/17/2019
 NOA# 18-0222-11
 Miami Dade Product Control
 By *Heidi A. M...*

Quantity	Description	Part
2	94"x 2"x 7" NEXUS POCKET RAIL	F3P2
2	7/8" x 56" TRIM CHANNEL	F83U
15	7/8" x 6" x 59 1/2" GORILLA T&G	F54G
2	5"x 5"x 9' POST (0.150" WALL)	F10C
2	95" x 2" STEEL INSERT	G3RFH148-18-95
2	5"x 5"x 78" ALUMINUM "H" INSERT	G10HA
36	#10 x 1 1/2" SELF-DRILLING SCREW	
4	#10 x 3" SELF-DRILLING SCREW	

GENERAL NOTES
 --THIS FENCE SYSTEM IS DESIGNED TO WITHSTAND A 75 MPH SUSTAINED WIND AND A 115 MPH 3-SECOND GUST FOR USE IN A HIGH-VELOCITY HURRICANE ZONE (EXPOSURE CATEGORY C) IN COMPLIANCE WITH SECTION 1616.2.1 OF THE FLORIDA BUILDING CODE, 2017.
 --THIS DRAWING IS BASED ON PROPER ASSEMBLY IN THE FIELD, AND IS INTENDED FOR USE AS A GUIDE AND IS NOT SPECIFIC TO ANY PROJECT. IT SHALL BE THE RESPONSIBILITY OF THE CONTRACTOR, ARCHITECT, OR ENGINEER OF RECORD TO VERIFY SITE SPECIFIC CRITERIA, E.G. LOCAL CODE REQUIREMENTS, SOIL CONDITIONS, ETC.
 --THIS FENCE SYSTEM IS DESIGNED TO BE INSTALLED AT GROUND LEVEL AS A DECORATIVE BARRIER, AND IS NOT INTENDED FOR USE IN ELEVATED AREAS OR FOR POOL USE.
 --SURROUNDING SOIL 200 PSF MINIMUM LATERAL BEARING PRESSURE PER 2017 FBC SECTION 1806.
 --FENCE COMPONENTS ARE MANUFACTURED FROM RIGID PVC HOMOPOLYMER.
 --ALL CONCRETE SHALL HAVE A 28-DAY COMPRESSIVE STRENGTH OF 3000 PSI.

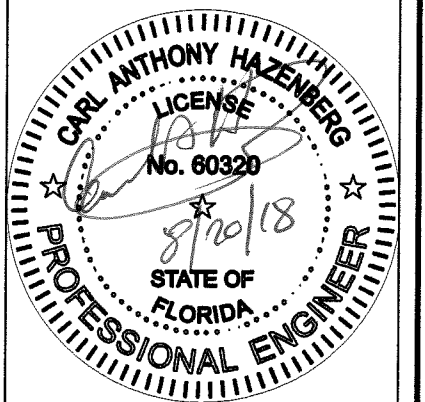
THE INFORMATION CONTAINED IN THIS DRAWING IS THE SOLE PROPERTY OF HOMELAND VINYL PRODUCTS, INC. ANY REPRODUCTION IN PART OR AS A WHOLE WITHOUT THE WRITTEN PERMISSION OF HOMELAND VINYL PRODUCTS, INC. IS STRICTLY PROHIBITED.



HOMELAND VINYL PRODUCTS, INC.
 3300 PINSON VALLEY PARKWAY
 BIRMINGHAM, AL 35217
 (205) 854-4330

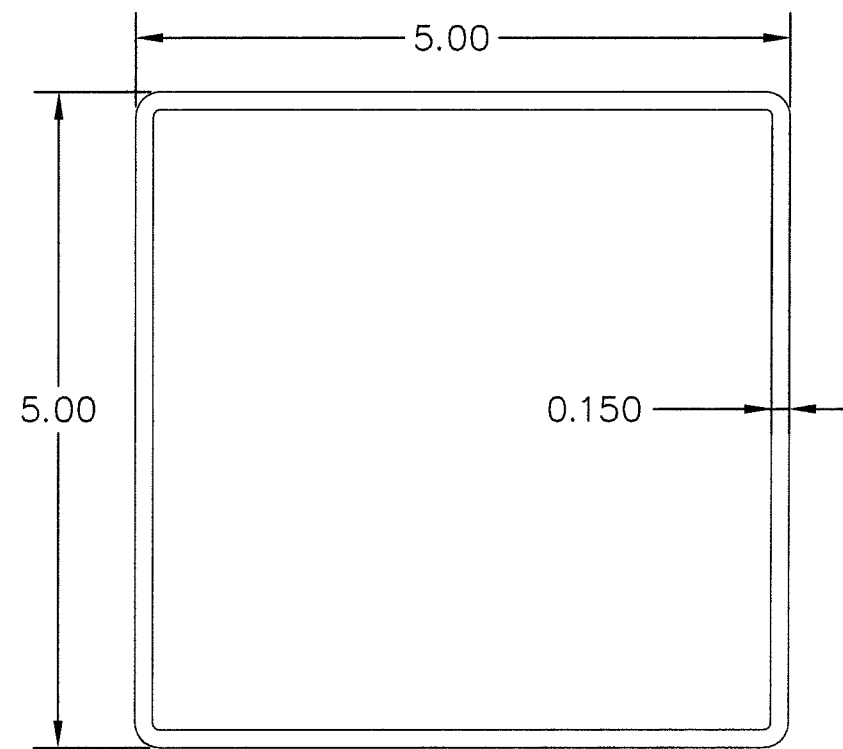
2" x 7" NEXUS RAIL
 VINYL PRIVACY FENCE
 6' x 8' PANEL

Ingenium, Inc.TM
 4085 Devereux Chase
 Roswell, GA 30075
 678.315.1751
 CA#: 30632

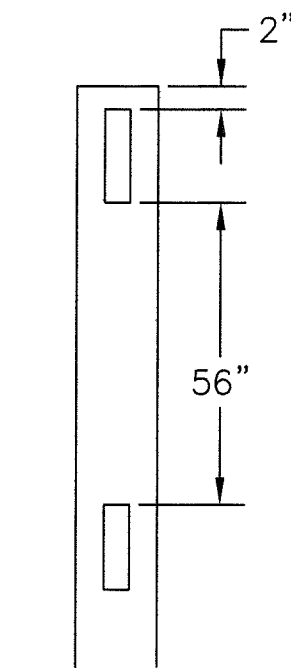


DRAWN BY	JVH	SCALE:	N.T.S.
DRAWING NO.	FBC-200.700	DATE	1/22/18
REVISION	B	SHEET	1 of 2

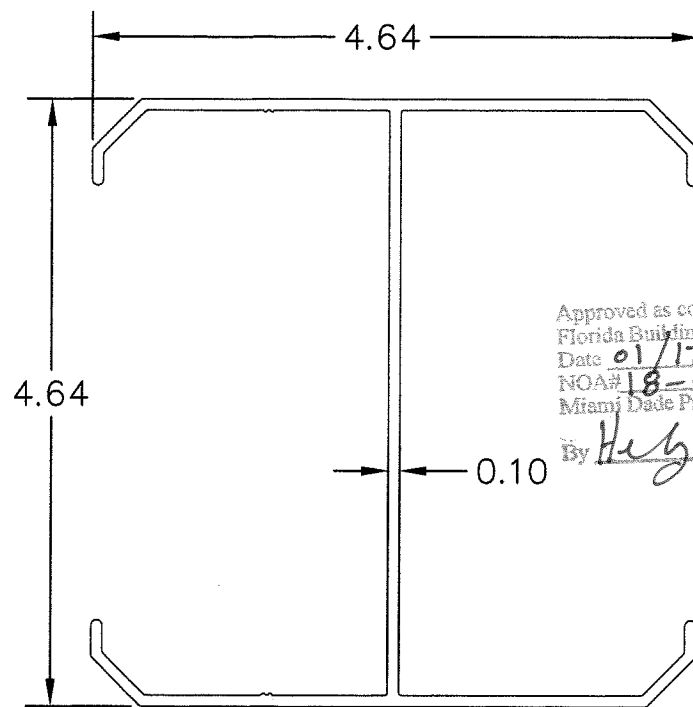
2" x 7" NEXUS POCKET RAIL VINYL PRIVACY FENCE (6' x 8' PANEL)



F10C - 5" x 5" x 9' POST

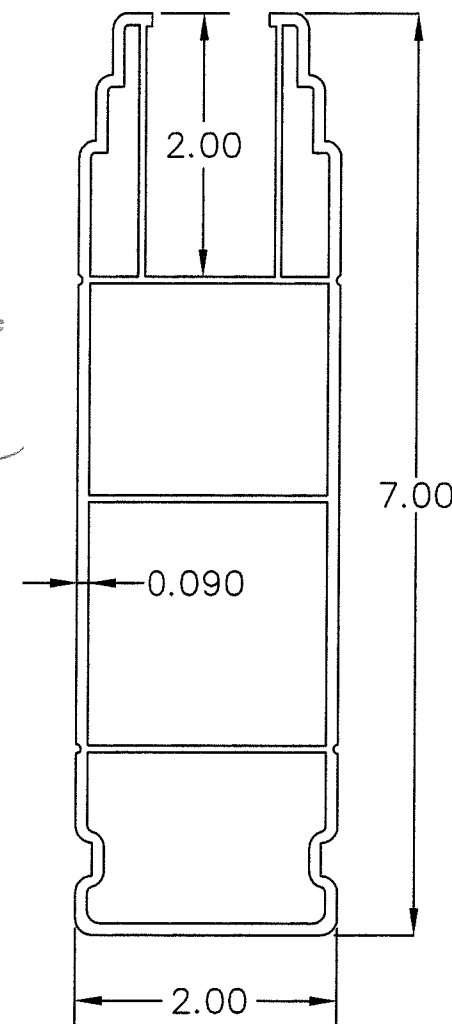


RAIL ROUTE HOLE SPACING

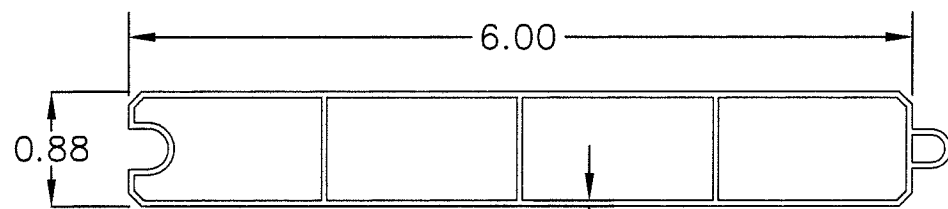


G10HA - ALUMINUM (6063-T6) POST INSERT

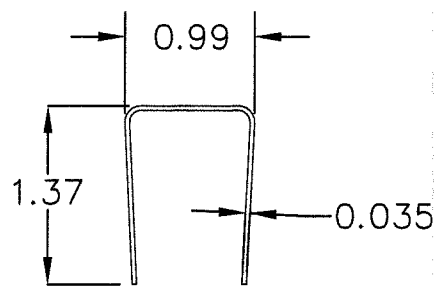
Approved as complying with the Florida Building Code
 Date 01/17/2019
 NOA# 18-0222.11
 Miami Dade Product Control
 By *Hebert*



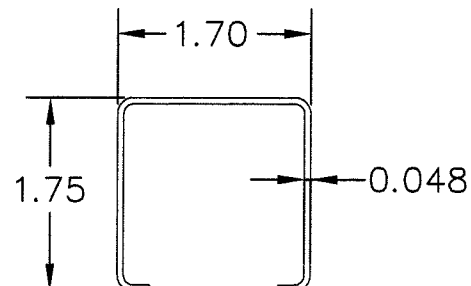
F3P2 - 2" x 7" NEXUS POCKET RAIL (DOUBLE NOTCHED)



F54G - GORILLA T&G BOARD



F83U 7/8" TRIM CHANNEL



G3RFH148-18-95 2" STEEL INSERT

DO NOT SCALE DRAWING
 DIMENSIONS ARE IN INCHES
 TOLERANCES:
 TWO PLACE DECIMAL +/- .02
 THREE PLACE DECIMAL +/- .010
 ANGULAR +/- 2

Quantity	Description	Part
2	94" x 2" x 7" NEXUS POCKET RAIL	F3P2
2	7/8" x 56" TRIM CHANNEL	F83U
15	7/8" x 6" x 59 1/2" GORILLA T&G	F54G
2	5" x 5" x 9' POST (0.150" WALL)	F10C
2	95" x 2" STEEL INSERT	G3RFH148-18-95
2	5" x 5" x 78" ALUMINUM "H" INSERT	G10HA
36	#10 x 1 1/2" SELF-DRILLING SCREW	
4	#10 x 3" SELF-DRILLING SCREW	

GENERAL NOTES
 --THIS FENCE SYSTEM IS DESIGNED TO WITHSTAND A 75 MPH SUSTAINED WIND AND A 115 MPH 3-SECOND GUST FOR USE IN A HIGH-VELOCITY HURRICANE ZONE (EXPOSURE CATEGORY C) IN COMPLIANCE WITH SECTION 1616.2.1 OF THE FLORIDA BUILDING CODE, 2017.
 --THIS DRAWING IS BASED ON PROPER ASSEMBLY IN THE FIELD, AND IS INTENDED FOR USE AS A GUIDE AND IS NOT SPECIFIC TO ANY PROJECT. IT SHALL BE THE RESPONSIBILITY OF THE CONTRACTOR, ARCHITECT, OR ENGINEER OF RECORD TO VERIFY SITE SPECIFIC CRITERIA, E.G. LOCAL CODE REQUIREMENTS, SOIL CONDITIONS, ETC.
 --THIS FENCE SYSTEM IS DESIGNED TO BE INSTALLED AT GROUND LEVEL AS A DECORATIVE BARRIER, AND IS NOT INTENDED FOR USE IN ELEVATED AREAS OR FOR POOL USE.
 --SURROUNDING SOIL 200 PSF MINIMUM LATERAL BEARING PRESSURE PER 2017 FBC SECTION 1806.
 --FENCE COMPONENTS ARE MANUFACTURED FROM RIGID PVC HOMOPOLYMER.
 --ALL CONCRETE SHALL HAVE A 28-DAY COMPRESSIVE STRENGTH OF 3000 PSI.

THE INFORMATION CONTAINED IN THIS DRAWING IS THE SOLE PROPERTY OF HOMELAND VINYL PRODUCTS, INC. ANY REPRODUCTION IN PART OR AS A WHOLE WITHOUT THE WRITTEN PERMISSION OF HOMELAND VINYL PRODUCTS, INC. IS STRICTLY PROHIBITED.

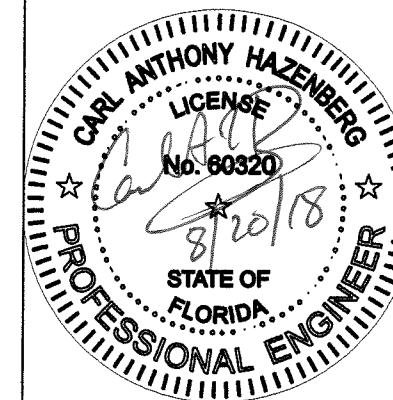


HOMELAND VINYL PRODUCTS, INC.
 3300 PINSON VALLEY PARKWAY
 BIRMINGHAM, AL 35217
 (205) 854-4330

2" x 7" NEXUS RAIL VINYL PRIVACY FENCE
 6' x 8' PANEL



4085 Devereux Chase
 Roswell, GA 30075
 678.315.1751
 CA#: 30632



DRAWN BY JVH	SCALE: N.T.S.
DRAWING NO. FBC-200.700	DATE 1/22/18
REVISION B	SHEET 2 of 2