



DEPARTMENT OF REGULATORY AND ECONOMIC RESOURCES (RER)
BOARD AND CODE ADMINISTRATION DIVISION

NOTICE OF ACCEPTANCE (NOA)

MIAMI-DADE COUNTY
PRODUCT CONTROL SECTION

11805 SW 26 Street, Room 208
Miami, Florida 33175-2474
T (786) 315-2590 F (786) 315-2599

www.miamidade.gov/economy

Petersen Aluminum Corporation
102 Northpoint Parkway
Acworth, GA 30102

SCOPE:

This NOA is being issued under the applicable rules and regulations governing the use of construction materials. The documentation submitted has been reviewed and accepted by Miami-Dade County RER-Product Control Section to be used in Miami-Dade County and other areas where allowed by the Authority Having Jurisdiction (AHJ).

This NOA shall not be valid after the expiration date stated below. The Miami-Dade County Product Control Section (In Miami-Dade County) and/ or the AHJ (in areas other than Miami-Dade County) reserve the right to have this product or material tested for quality assurance purposes. If this product or material fails to perform in the accepted manner, the manufacturer will incur the expense of such testing and the AHJ may immediately revoke, modify, or suspend the use of such product or material within their jurisdiction. RER reserves the right to revoke this acceptance, if it is determined by Miami-Dade County Product Control Section that this product or material fails to meet the requirements of the applicable building code.

This product is approved as described herein, and has been designed to comply with the Florida Building Code, including the High Velocity Hurricane Zone.

DESCRIPTION: PAC-850 Vented & Solid Soffit: 0.032" (Min.) Aluminum

APPROVAL DOCUMENT: Drawing No. 22412-1, titled "Petersen 0.032" Aluminum PAC-850 Soffit", sheets 1 through 3 of 3, dated 05/22/2013, prepared by the manufacturer, signed and sealed by C. Keith Brasher, P.E., bearing the Miami-Dade County Product Control revision stamp with the Notice of Acceptance number and expiration date by the Miami-Dade County Product Control Section.

MISSILE IMPACT RATING: None

LABELING: Each piece shall be permanently marked at not more than 4' o.c. with a number or marking and the packaging shall include the manufacturer's name or logo, city, state, model number or name, Miami-Dade County NOA number, test standards and net free area per FBC 1709.10.2 and 1709.10.3.

RENEWAL of this NOA shall be considered after a renewal application has been filed and there has been no change in the applicable building code negatively affecting the performance of this product.

TERMINATION of this NOA will occur after the expiration date or if there has been a revision or change in the materials, use, and/or manufacture of the product or process. Misuse of this NOA as an endorsement of any product, for sales, advertising or any other purposes shall automatically terminate this NOA. Failure to comply with any section of this NOA shall be cause for termination and removal of NOA.

ADVERTISEMENT: The NOA number preceded by the words Miami-Dade County, Florida, and followed by the expiration date may be displayed in advertising literature. If any portion of the NOA is displayed, then it shall be done in its entirety.

INSPECTION: A copy of this entire NOA shall be provided to the user by the manufacturer or its distributors and shall be available for inspection at the job site at the request of the Building Official.

This NOA revises and renews NOA # 13-0402.02 and consists of this page 1 and evidence pages E-1 and E-2, as well as approval document mentioned above.

The submitted documentation was reviewed by **Carlos M. Utrera, P.E.**



Handwritten signature and date: 06/06/2018

NOA No. 18-0411.02
Expiration Date: August 22, 2023
Approval Date: June 14, 2018

Petersen Aluminum Corporation

NOTICE OF ACCEPTANCE: EVIDENCE SUBMITTED

1. EVIDENCE SUBMITTED UNDER PREVIOUS NOA'S

A. DRAWINGS *"Submitted under NOA # 13-0402.02"*

1. Drawing No. **22412-1**, titled "Petersen 0.032" Aluminum PAC-850 Soffit", sheets 1 through 3 of 3, dated 05/22/2013, prepared by the manufacturer, signed and sealed by C. Keith Brasher, P.E.

B. TESTS *"Submitted under NOA # 13-0402.02"*

1. Test reports on 1) Uniform Static Air Pressure Test, Loading per FBC TAS 202-94
2) Cyclic Wind Pressure Loading per FBC, TAS 203-94
along with marked-up drawings of PAC-850 0.032" Aluminum Soffit, prepared by Architectural Testing, Inc., Test Report No. **C5271.01-450-18**, dated 04/04/2013, signed and sealed by Vinu J. Abraham, P.E.
2. Test report on Wind Driven Rain Resistance Test per FBC, TAS 100(A)-95 of a PAC-850 Fully Vented Soffit, prepared by Fenestration Testing Laboratory, Inc., Test Report No. **FTL-7246**, dated 02/15/2013, signed and sealed by Marlin D. Brinson, P.E.
3. Test report on Tensile Test per ASTM E8-11 of a Flat Reduced Section of Aluminum, prepared by Fenestration Testing Laboratory, Inc., Test Report No. **FTL-7215**, dated 02/15/2013, signed and sealed by Marlin D. Brinson, P.E.

C. CALCULATIONS *"Submitted under NOA # 13-0402.02"*

1. Bending and anchorage calculations, dated 07/03/2013, prepared, signed and sealed by C. Keith Brasher, P.E.

D. QUALITY ASSURANCE

1. Miami-Dade Department of Regulatory and Economic Resources (RER)

E. MATERIAL CERTIFICATIONS

1. None.

F. STATEMENTS *"Submitted under NOA # 13-0402.02"*

1. Statement of code conformance to 2010 FBC and no financial interest letter, issued by GTA Design, dated 08/13/2013, signed and sealed by C. Keith Brasher, P.E.



Carlos M. Utrera, P.E.
Product Control Examiner
NOA No. 18-0411.02
Expiration Date: August 22, 2023
Approval Date: June 14, 2018

Petersen Aluminum Corporation

NOTICE OF ACCEPTANCE: EVIDENCE SUBMITTED

2. NEW EVIDENCE SUBMITTED

A. DRAWINGS “Submitted under NOA # 13-0402.02”

1. Drawing No. **22412-1**, titled “Petersen 0.032” Aluminum PAC-850 Soffit”, sheets 1 through 3 of 3, dated 05/22/2013, prepared by the manufacturer, signed and sealed by C. Keith Brasher, P.E.

B. TESTS

1. None.

C. CALCULATIONS

1. None.

D. QUALITY ASSURANCE

1. Miami-Dade Department of Regulatory and Economic Resources (RER)

E. MATERIAL CERTIFICATIONS

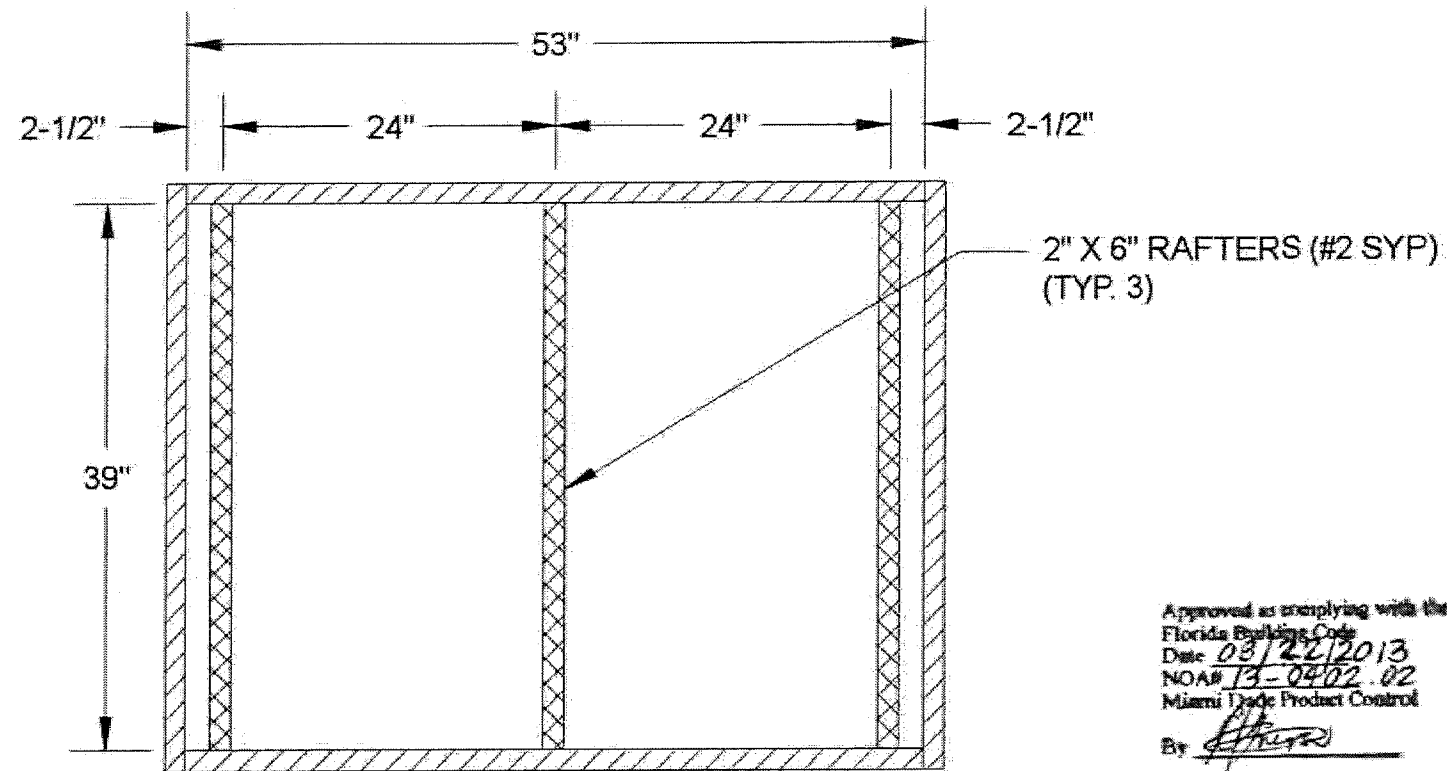
1. None.

F. STATEMENTS

1. Statement letter of no financial interest and of code conformance to the 6th edition (2017) FBC, issued by GTA Design, dated 04/20/2018, signed and sealed by C. Keith Brasher, P.E.



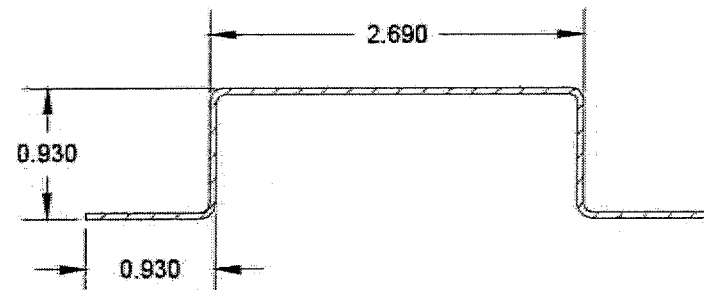
Carlos M. Utrera, P.E.
Product Control Examiner
NOA No. 18-0411.02
Expiration Date: August 22, 2023
Approval Date: June 14, 2018



2" X 12" TEST BUCK (#2 SYP)

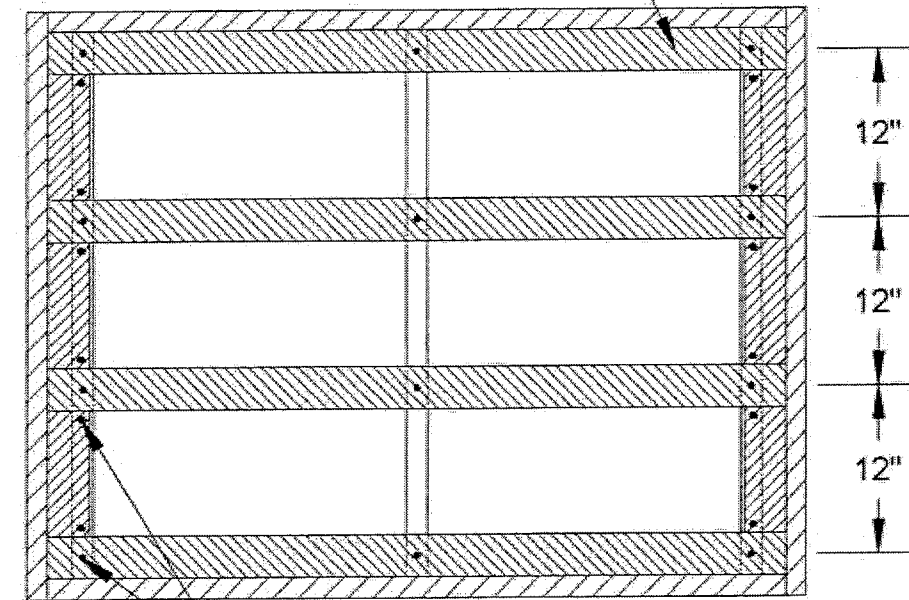
TEST BUCK ELEVATION N.T.S.

Design Pressure: +/- 100.0 PSF
 Aluminum Alloy & Temper: 3105 H-14
 Net Free Area: Full Vent 12%, 1/2 Vent 6%
 1" x 3" Furring Strip Specific Gravity: G=0.55
 Furring strips installed @ 12" o.c. Max. as tested.
 24ga steel min. furring strips are an alternate to wood; See sheet 3 for fastener requirements.



STEEL FURRING STRIP SECTION N.T.S.

1" x 3" (NOM.) WOOD FURRING STRIPS
 SPECIFIC GRAVITY 'G' = 0.55



1" X 3" FURRING STRIPS ATTACHED WITH #6 X 2-1/2" WOOD SCREWS

TEST BUCK ELEVATION N.T.S.

ALTERNATE: 24GA MIN. STEEL FURRING STRIPS IN LIEU OF WOOD

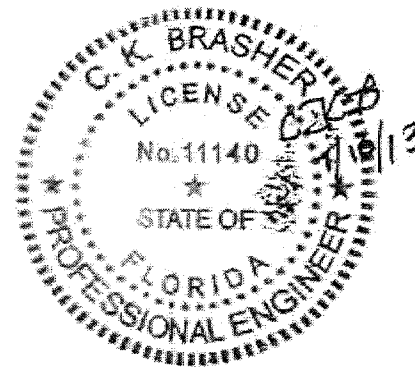
STEEL FURRING STRIPS:
 24ga min. AZ-50 Galvalume or G-90 Galvanized, 33ksi min yield.

Per FBC 2003.8.4.2, aluminum contacting metals not considered compatible shall be protected as follows:

- 1) Painting the dissimilar metal with a prime coat of zinc-chromate primer or other suitable primer, followed by one or two coats of aluminum metal-an-masonry paint or other suitable protective coating, excluding those containing lead pigmentation.
- 2) Painting the dissimilar metal with a coating of heavy-bodied bituminous paint.
- 3) Placing a good quality caulking material between the aluminum and the dissimilar metal.
- 4) Applying a nonabsorptive tape or gasket.
- 5) Hot-dip galvanizing or zinc-plating steel members after fabrication.

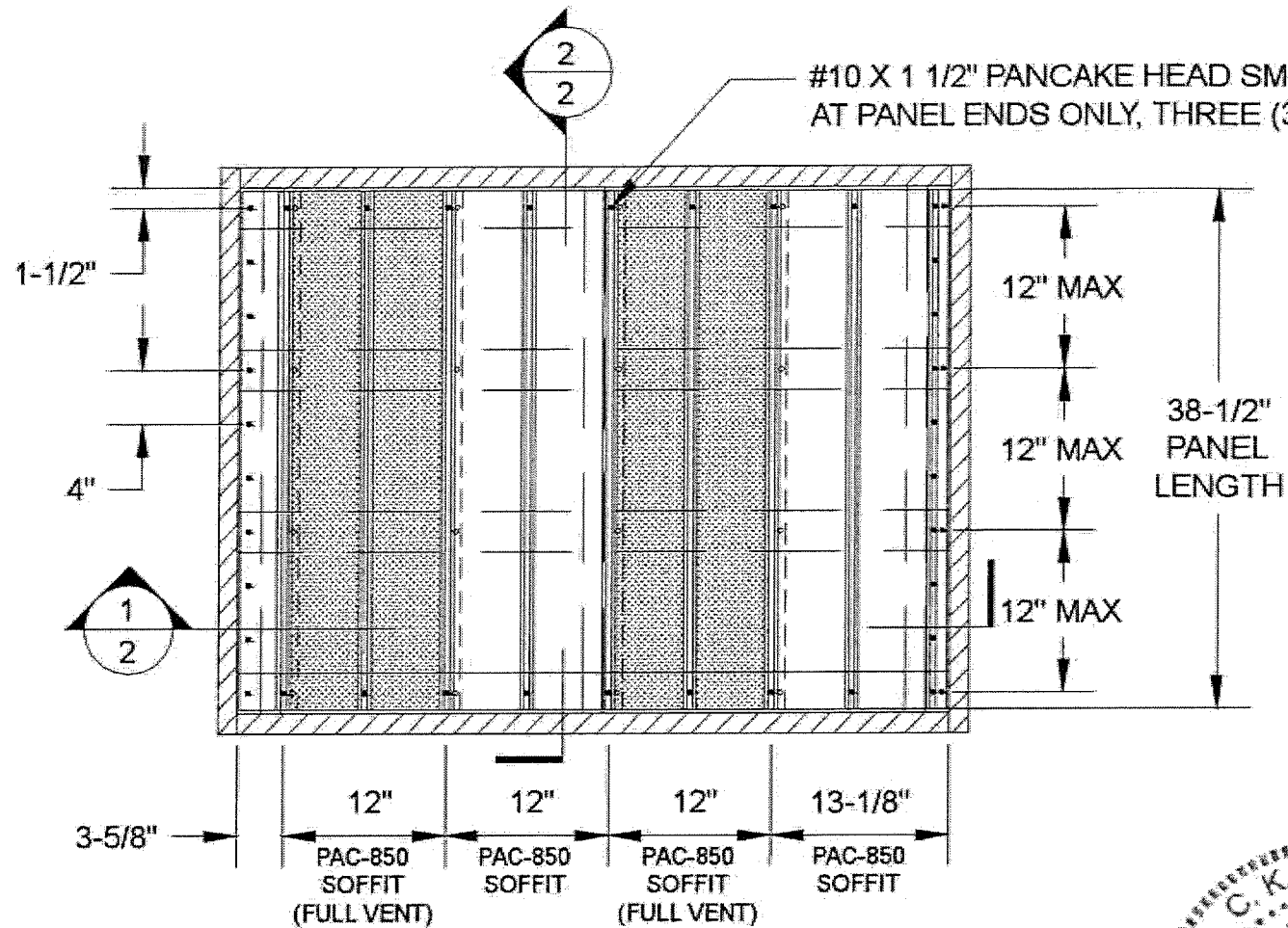
PRODUCT REVISED
 as complying with the Florida Building Code
 NOA-No. 18-0411.02
 Expiration Date 08/22/2023
 By [Signature]
 Miami-Dade Product Control

Approved as complying with the Florida Building Code
 Date 08/22/2013
 NOA# 13-0402.02
 Miami Trade Product Control
 By [Signature]



C. Keith Brasher, PE
 805 Melbourne Trail
 Alpharetta, GA 30004-6519

DRAWING NUMBER 22412-1 (13-0402.02)	 PAC CLAD PETERSEN ALUMINUM CORPORATION 102 NORTHPOINT PARKWAY, BLDG 102 ACWORTH, GA 30102 PH: 77-0427-6378 FAX: 770-420-2533	PROJECT NAME PETERSEN 0.032" ALUMINUM PAC-850 SOFFIT	REVISION	DATE 22 MAY 2013	SHEET 1 OF 3
		ENGINEER OF RECORD KEITH BRASHER P.E., FLORIDA LIC #11140		DRAWN BY DLT	

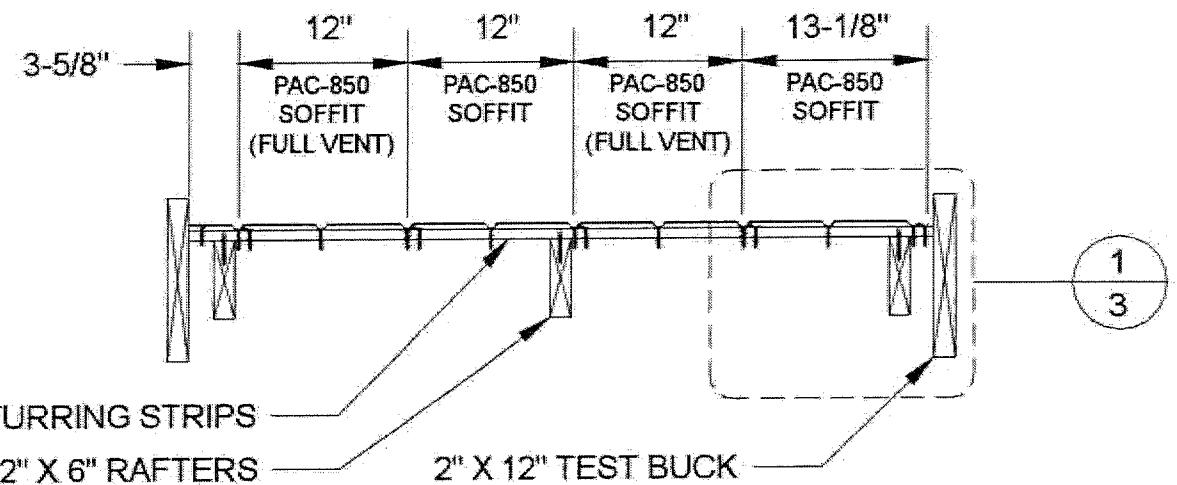


PANEL ELEVATION N.T.S.

WITH PAC-850 SOFFIT PANELS AS INSTALLED BY PETERSEN

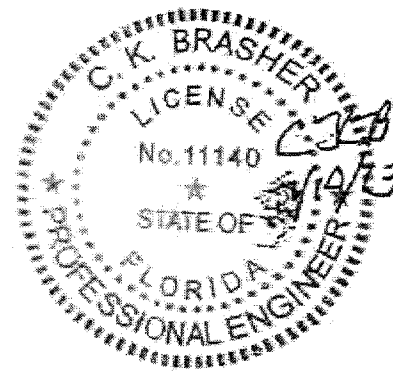
- DENOTES CONCEALED FASTENER
- DENOTES EXPOSED FASTENER

See Sheet 3 for Fastener Requirements when steel furring strips are used.

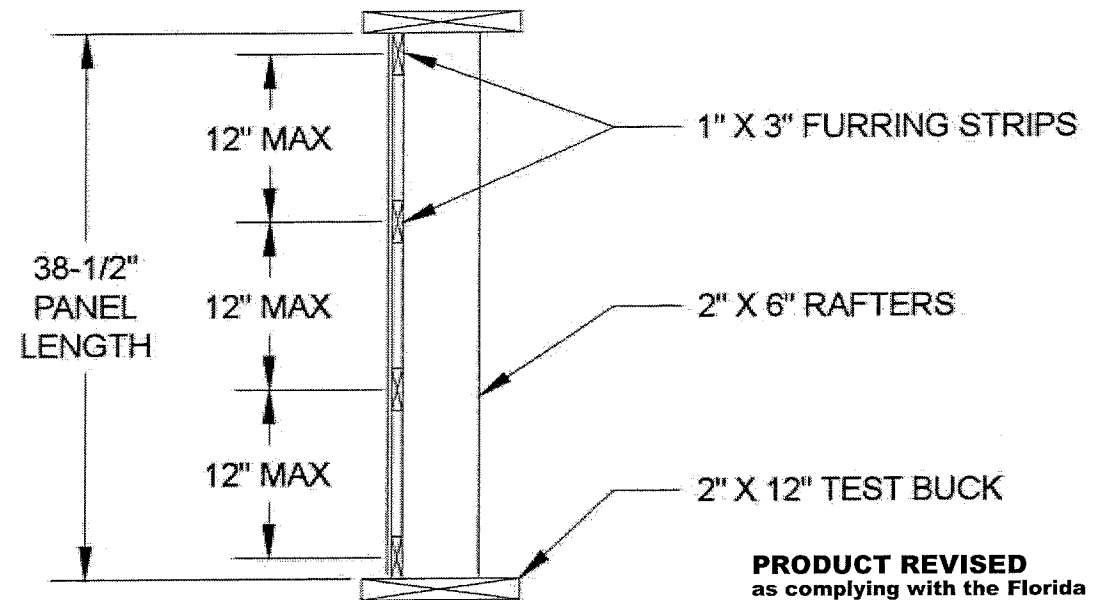


1
2 **PANEL SECTION** N.T.S.

Approved as complying with the Florida Building Code
 Date: 08/22/2013
 NOA# 13-0402.02
 Miami Dade Product Control
 By: *[Signature]*




C. Keith Brasher, PE
 805 Melbourne Trail
 Alpharetta, GA 30004-6519



2
2 **PANEL SECTION**

PRODUCT REVISED
 as complying with the Florida Building Code
 NOA-No. 18-0411.02
 Expiration Date 08/22/2023
 By: *[Signature]*
 Miami-Dade Product Control

DRAWING NUMBER 22412-1 (13-0402.02)	 PAC CLAD PETERSEN ALUMINUM CORPORATION 102 NORTHPOINT PARKWAY, BLDG 102 ACWORTH, GA 30102 PH: 77-0427-6378 FAX: 770-420-2533	PROJECT NAME PETERSEN 0.032" ALUMINUM PAC-850 SOFFIT	REVISION	DATE 22 MAY 2013	SHEET 2 OF 3
		ENGINEER OF RECORD KEITH BRASHER P.E., FLORIDA LIC. #11140		DRAWN BY DLT	

10-1-1/2" PANCAKE HEAD
SMS 12" O.C. MAX

PAC-850 SOFFIT

#10 X 1-1/2" PANCAKE
HEAD SMS 12" O.C. MAX.
FOR STEEL FURRING
STRIPS USE ONE (1) #10
SCREW AT 12" O.C. MAX
FOR PERIMETER, ALL
GAUGES

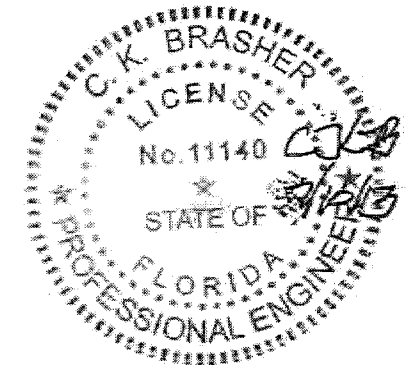
FOR STEEL FURRING STRIPS PER SHEET S1,
USE TWO (2) #10 SCREWS FOR 24, 22 & 20GA,
AND ONE (1) #10 SCREW FOR 18GA

2" X 12" TEST BUCK

1" X 3" (NOM.) WOOD FURRING STRIP

#6 X 2-1/2" FHPWS
SEE ELEVATION

2" X 6" RAFTER




C. Keith Brasher, PE
805 Melbourne Trail
Alpharetta, GA 30004-6519

1
3 ENLARGED PANEL SECTION N.T.S.

PRODUCT REVISED
as complying with the Florida
Building Code
NOA-No. 18-0411.02
Expiration Date 08/22/2023
By [Signature]
Miami-Dade Product Control

Approved as complying with the
Florida Building Code
Date 08/22/2013
NOA# 13-0402.02
Miami-Dade Product Control
By [Signature]

DRAWING NUMBER 22412-1 (13-0402.02)	 PAC CLAD PETERSEN ALUMINUM CORPORATION 102 NORTHPOINT PARKWAY, BLDG 102 ACWORTH, GA 30102 PH: 77-0427-6378 FAX: 770-420-2533	PROJECT NAME PETERSEN 0.032" ALUMINUM PAC-850 SOFFIT	REVISION	DATE 22 MAY 2013	SHEET 3 OF 3
		ENGINEER OF RECORD KEITH BRASHER P.E., FLORIDA LIC #11140		DRAWN BY DLT	