



DEPARTMENT OF REGULATORY AND ECONOMIC RESOURCES (RER)
BOARD AND CODE ADMINISTRATION DIVISION

MIAMI-DADE COUNTY
PRODUCT CONTROL SECTION

11805 SW 26 Street, Room 208
T (786) 315-2590 F (786) 315-2599

NOTICE OF ACCEPTANCE (NOA)

www.miamidade.gov/economy

Eco Window Systems, LLC
8502 NW 80 Street
Medley, FL 33166

SCOPE:

This NOA is being issued under the applicable rules and regulations governing the use of construction materials. The documentation submitted has been reviewed and accepted by Miami-Dade County RER - Product Control Section to be used in Miami Dade County and other areas where allowed by the Authority Having Jurisdiction (AHJ).

This NOA shall not be valid after the expiration date stated below. The Miami-Dade County Product Control Section (In Miami Dade County) and/or the AHJ (in areas other than Miami Dade County) reserve the right to have this product or material tested for quality assurance purposes. If this product or material fails to perform in the accepted manner, the manufacturer will incur the expense of such testing and the AHJ may immediately revoke, modify, or suspend the use of such product or material within their jurisdiction. RER reserves the right to revoke this acceptance, if it is determined by Miami-Dade County Product Control Section that this product or material fails to meet the requirements of the applicable building code.

This product is approved as described herein, and has been designed to comply with the Florida Building Code, including the High Velocity Hurricane Zone.

DESCRIPTION: Series "250" Aluminum Horizontal Rolling Window – L.M.I.

APPROVAL DOCUMENT: Drawing No. **18-48D**, titled "Series-250 Alum. Horiz. Rolling Wdw. (L.M.I.)" sheets 1 through 7 of 7, dated 04/23/18, with revision A dated 06/18/18, prepared by Al-Farooq Corporation, signed and sealed by Javad Ahmad, P.E., bearing the Miami-Dade County Product Control Approval stamp with the Notice of Acceptance number and approval date by the Miami-Dade County Product Control Section.

MISSILE IMPACT RATING: Large and Small Missile Impact Resistant

LABELING: Each unit shall bear a permanent label with the manufacturer's name or logo, city, state, model/series, and following statement: "Miami-Dade County Product Control Approved", unless otherwise noted herein.

RENEWAL of this NOA shall be considered after a renewal application has been filed and there has been no change in the applicable building code negatively affecting the performance of this product.

TERMINATION of this NOA will occur after the expiration date or if there has been a revision or change in the materials, use, and/or manufacture of the product or process. Misuse of this NOA as an endorsement of any product, for sales, advertising or any other purposes shall automatically terminate this NOA. Failure to comply with any section of this NOA shall be cause for termination and removal of NOA.

ADVERTISEMENT: The NOA number preceded by the words Miami-Dade County, Florida, and followed by the expiration date may be displayed in advertising literature. If any portion of the NOA is displayed, then it shall be done in its entirety.

INSPECTION: A copy of this entire NOA shall be provided to the user by the manufacturer or its distributors and shall be available for inspection at the job site at the request of the Building Official.

This NOA consists of this page 1 and evidence page E-1, as well as approval document mentioned above. The submitted documentation was reviewed by **Manuel Perez, P.E.**



Handwritten signature and date: 8/23/18

NOA No. 18-0426.09
Expiration Date: August 30, 2023
Approval Date: August 30, 2018
Page 1

NOTICE OF ACCEPTANCE: EVIDENCE SUBMITTED

A. DRAWINGS

1. Manufacturer's die drawings and sections.
2. Drawing No **18-48D**, titled "Series-250 Alum. Horiz. Rolling Wdw. (L.M.I.)", sheets 1 through 7 of 7, dated 04/23/18, with revision A dated 06/14/18, prepared by Al-Farooq Corporation, signed and sealed by Javad Ahmad, P.E.

B. TESTS

1. Test reports on: 1) Air Infiltration Test, per FBC, TAS 202-94
2) Uniform Static Air Pressure Test, Loading per FBC TAS 202-94
3) Water Resistance Test, per FBC, TAS 202-94
4) Small Missile Impact Test per FBC, TAS 201-94
5) Large Missile Impact Test per FBC, TAS 201-94
6) Cyclic Wind Pressure Loading per FBC, TAS 203-94
7) Forced Entry Test, per FBC 2411.3.2.1, and TAS 202-94
along with marked-up drawings and installation diagram of a series 250 aluminum horizontal sliding window, prepared by Fenestration Testing Laboratory, Inc., Test Report No. **FTL-9830**, dated 10/24/17, with addendum letter dated 06/15/18, signed and sealed by Idalmis Ortega, P.E.

C. CALCULATIONS

1. Anchor verification calculations and structural analysis, complying with **FBC 6th Edition (2017)**, dated 04/24/18, prepared by Al-Farooq Corporation, signed and sealed by Javad Ahmad, P.E.
2. Glazing complies with **ASTM E1300-09**

D. QUALITY ASSURANCE

1. Miami-Dade Department of Regulatory and Economic Resources (RER)

E. MATERIAL CERTIFICATIONS

1. Notice of Acceptance No. **17-1114.14** issued to **Kuraray America, Inc.** for their "**Trosifol® Ultraclear, Clear and Color PVB Glass Interlayers**" dated 01/18/18, expiring on 07/08/19.

F. STATEMENTS

1. Statement letter of conformance, complying with **FBC 6th Edition (2017)**, and of no financial interest, dated January 4, 2018, prepared by Al-Farooq Corporation, signed and sealed by Javad Ahmad, P.E.
2. Proposal No. **17-0420** issued by the Product Control Section, dated June 9, 2017, signed by Manuel Perez, P.E.

G. OTHER

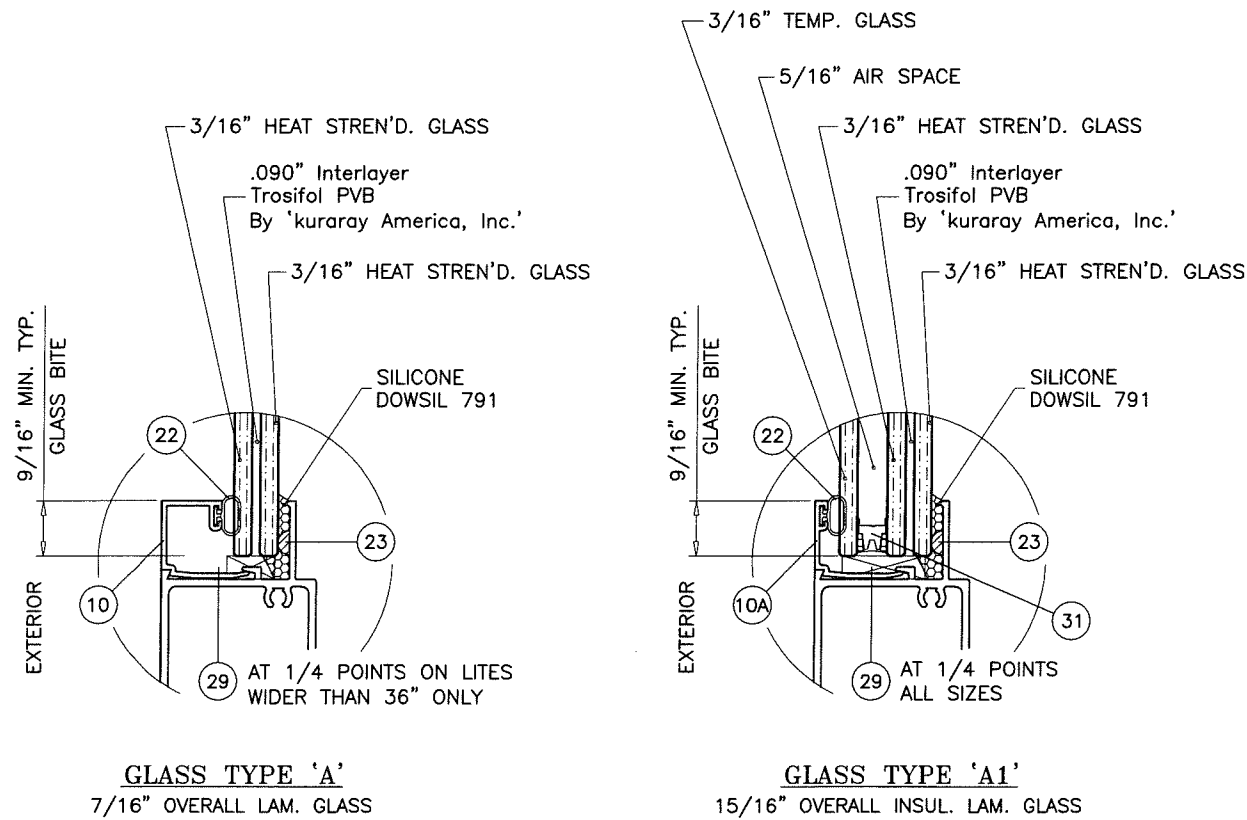
1. None.



Manuel Perez, P.E.

Product Control Examiner
NOA No. 18-0426.09

Expiration Date: August 30, 2023
Approval Date: August 30, 2018



GLAZING OPTIONS

SERIES-250 (L.M.I.)

ALUMINUM HORIZONTAL ROLLING WINDOW

DESIGN LOAD RATINGS FOR THESE WINDOWS TO BE AS PER CHARTS SHOWN ON SHEET 2.

APPROVAL APPLIES TO SINGLE UNITS OR SIDE BY SIDE COMBINATIONS OF H.R./H.R. OR HORIZONTAL ROLLING WITH OTHER WINDOW TYPES IN MODULES OF TWO OR MORE WINDOWS USING MIAMI-DADE COUNTY APPROVED MULLIONS IN BETWEEN.

LOWER DESIGN PRESSURE FROM WINDOWS OR MULLION NOA WILL APPLY TO ENTIRE SYSTEM.

THIS PRODUCT HAS BEEN DESIGNED AND TESTED TO COMPLY WITH THE REQUIREMENTS OF THE 2017 (6TH EDITION) FLORIDA BUILDING CODE INCLUDING HIGH VELOCITY HURRICANE ZONE (HVHZ).

1BY OR 2BY WOOD BUCKS & BUCK FASTENERS BY OTHERS, MUST BE DESIGNED AND INSTALLED ADEQUATELY TO TRANSFER APPLIED PRODUCT LOADS TO THE BUILDING STRUCTURE.

ANCHORS SHALL BE CORROSION RESISTANT, SPACED AS SHOWN ON DETAILS AND INSTALLED PER MANUF'S INSTRUCTIONS. SPECIFIED EMBEDMENT TO BASE MATERIAL SHALL BE BEYOND WALL DRESSING OR STUCCO.

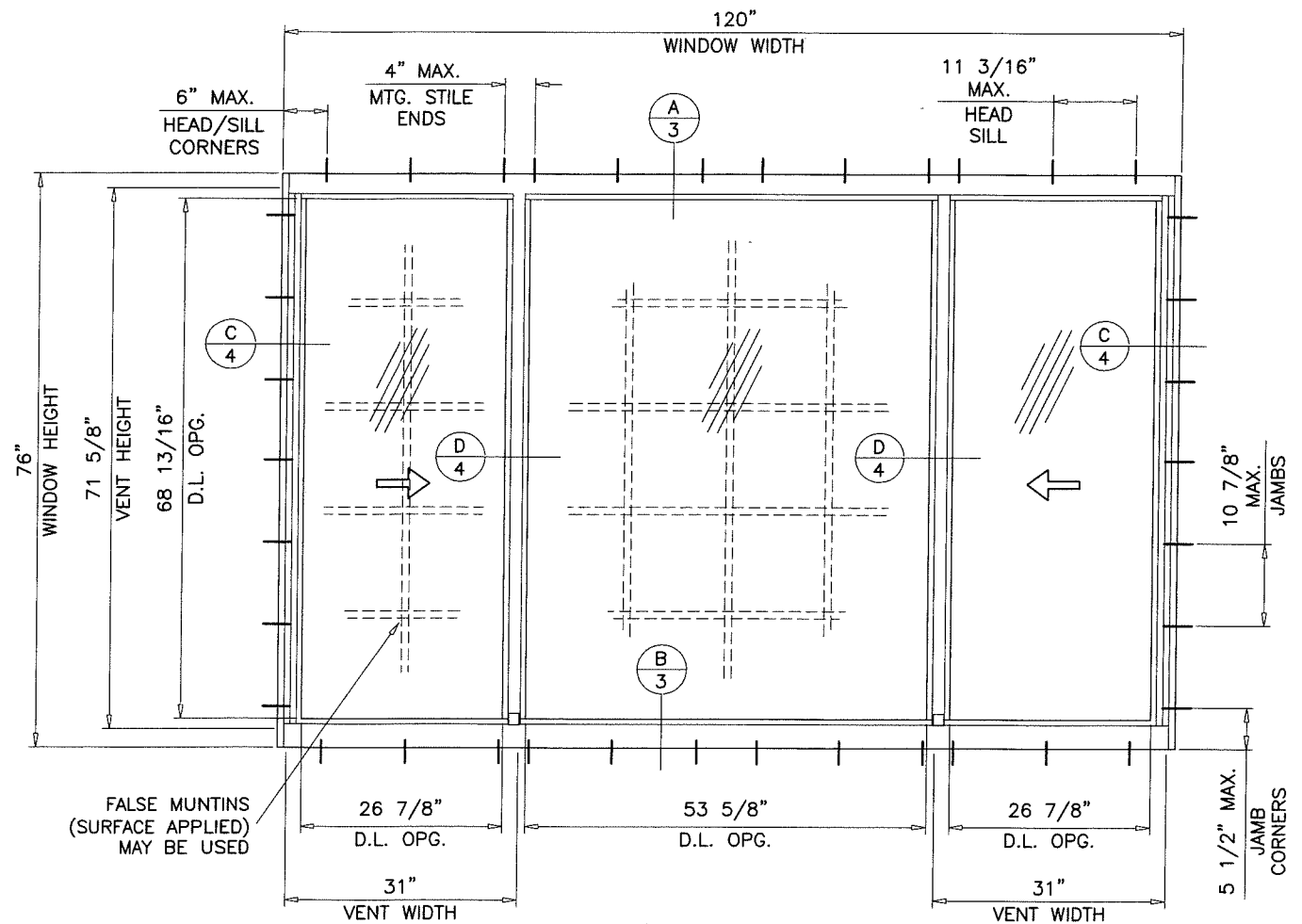
A LOAD DURATION INCREASE IS USED IN DESIGN OF ANCHORS INTO WOOD ONLY.

ALL SHIMS TO BE HIGH IMPACT, NON-METALLIC AND NON-COMPRESSIBLE.

MATERIALS INCLUDING BUT NOT LIMITED TO STEEL/METAL SCREWS, THAT COME INTO CONTACT WITH OTHER DISSIMILAR MATERIALS SHALL MEET THE REQUIREMENTS OF THE 2017 FLORIDA BLDG. CODE & ADOPTED STANDARDS.

THIS PRODUCT APPROVAL IS GENERIC AND DOES NOT PROVIDE INFORMATION FOR A SITE SPECIFIC PROJECT, I.E. LIFE SAFETY OF THIS PRODUCT, ADEQUACY OF STRUCTURE RECEIVING THIS PRODUCT AND SEALING AROUND OPENING FOR WATER INFILTRATION RESISTANCE ETC.

CONDITIONS NOT SHOWN IN THIS DRAWING ARE TO BE ANALYZED SEPARATELY, AND TO BE REVIEWED BY BUILDING OFFICIAL.

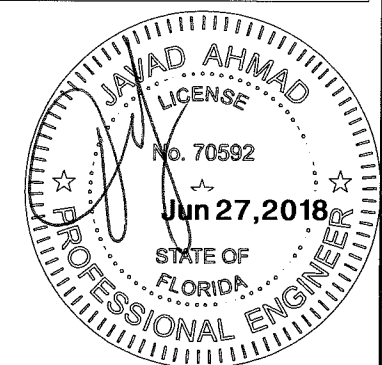


TYPICAL ELEVATION
(TESTED UNIT)

THESE WINDOWS ARE RATED FOR LARGE & SMALL MISSILE IMPACT. SHUTTERS ARE NOT REQUIRED.

**LAMINATED GLASS
INSUL. LAM. GLASS
LARGE MISSILE IMPACT**

approved as complying with the
Florida Building Code
Date: Aug 30, 2018
NOA# 18-0426.09
Miami Dade Product Control
Manuel Pro



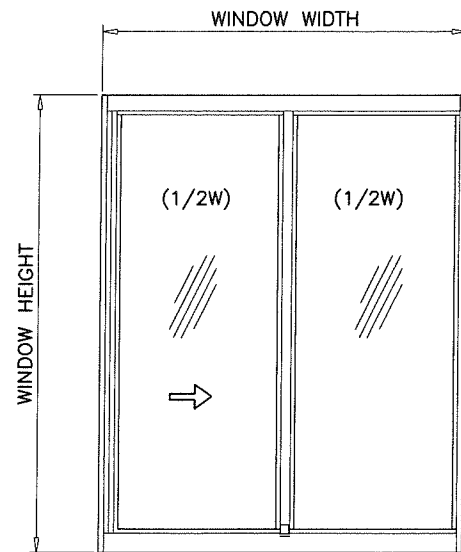
af c
AL-FAROOQ CORPORATION
ENGINEERS & PRODUCT DEVELOPMENT
9360 SUNSET DRIVE, SUITE 220
MIAMI, FLORIDA 33173 (C.A.N. 3538)
TEL. (305) 264-8100 FAX. (305) 262-6978
COMP-ANL\18-48D-ECO

SERIES-250 ALUM HORIZ. ROLLING WDW. (L.M.I.)
ECO WINDOW SYSTEMS, LLC.
8502 N.W. 80th STREET
MEDLEY, FL. 33166
TEL. (305) 885-5299 FAX (305) 885-5902

revisions:	no	date	description
	A	06.14.18	NO CHANGE THIS SHEET

date:	04-23-18
scale:	1/2"=1'-0"
dr. by:	TARIQ
chk. by:	

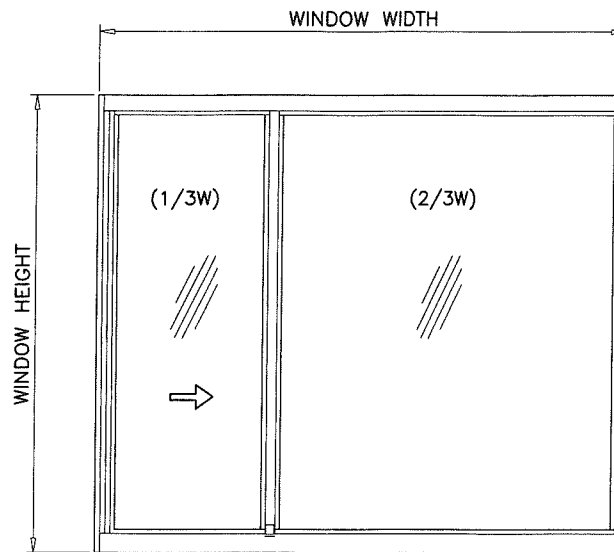
drawing no.
18-48D
sheet 1 of 7



XO OR OX

LEFT & RIGHT VENTS TO BE OF EQUAL GLASS DLO WIDTHS

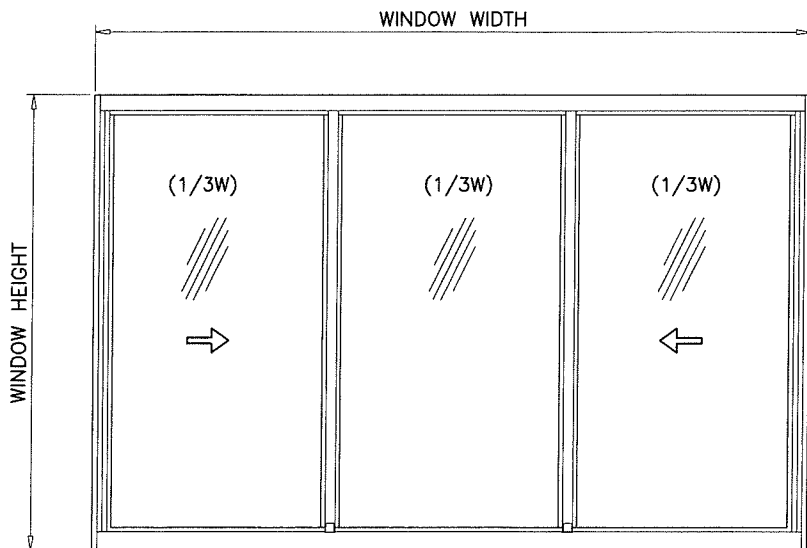
WINDOW DIMS.		MAX. D.L.O. WIDTHS	
WIDTH	HEIGHT	VENT	FIXED
84"	50-5/8"	38"	38"
74"	63"	33"	33"
64"	72"	28"	28"
61"	76"	26-1/2"	26-1/2"



XO OR OX

OPERATING VENT TO BE 1/3 OF THE WINDOW WIDTH

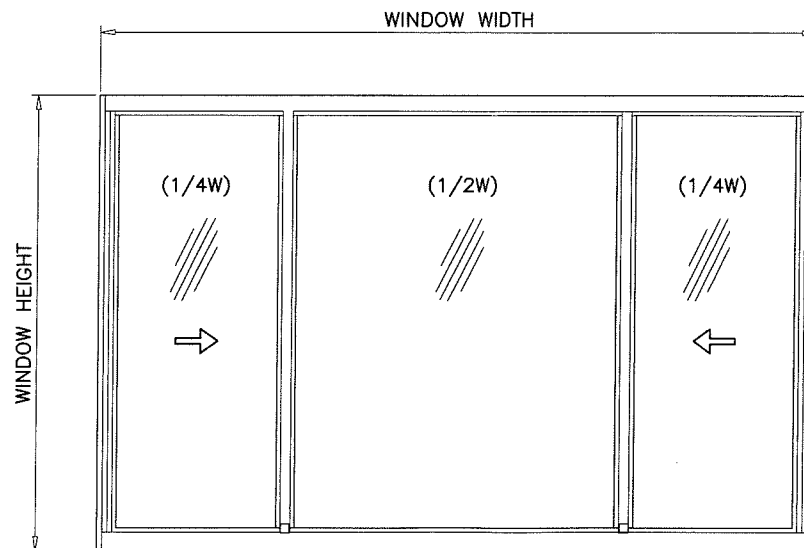
WINDOW DIMS.		MAX. D.L.O. WIDTHS	
WIDTH	HEIGHT	VENT	FIXED
120"	50-5/8"	37-5/16"	74-11/16"
106"	63"	32-11/16"	65-5/16"
93"	72"	28-5/16"	56-11/16"
88"	76"	26-11/16"	53-5/16"



XOX

OPERATING VENTS TO BE 1/3 OF THE WINDOW WIDTH

WINDOW DIMS.		MAX. D.L.O. WIDTHS	
WIDTH	HEIGHT	VENT	FIXED
120"	50-5/8"	35-13/16"	35-13/16"
113"	63"	33-7/16"	33-7/16"
99"	72"	28-13/16"	28-13/16"
92"	76"	26-7/16"	26-7/16"



XOX

OPERATING VENTS TO BE 1/4 OF THE WINDOW WIDTH

WINDOW DIMS.		MAX. D.L.O. WIDTHS	
WIDTH	HEIGHT	VENT	FIXED
144"	50-5/8"	32-7/8"	65-11/16"
144"	63"	32-7/8"	65-11/16"
126"	72"	28-3/8"	56-11/16"
120"	76"	26-7/8"	53-11/16"

MAXIMUM DESIGN LOAD RATING = + 70.0 PSF
(FOR SIZES SHOWN ABOVE OR SMALLER) - 70.0 PSF

INSTALLATIONS WHERE WATER INFILTRATION RESISTANCE IS NOT REQUIRED
USE ABOVE LOADS FOR WINDOWS WITHOUT ADD-ON RISER.

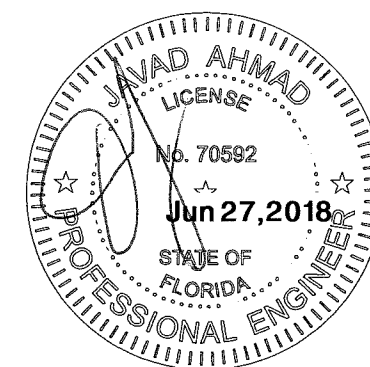
INSTALLATIONS WHERE WATER INFILTRATION REISTANCE IS REQUIRED
USE ADD-ON RISER FOR ABOVE LOADS.
OR

LIMIT MAX. EXTERIOR(+) LOADS TO +60.0 PSF FOR WINDOWS WITHOUT RISER.

SEE SHEET 3 FOR DETAIL.

Approved as complying with the
Florida Building Code
Date: Apr. 30, 2018
NOA# 18-20426.09
Miami Code Product Control

Manuel Perez



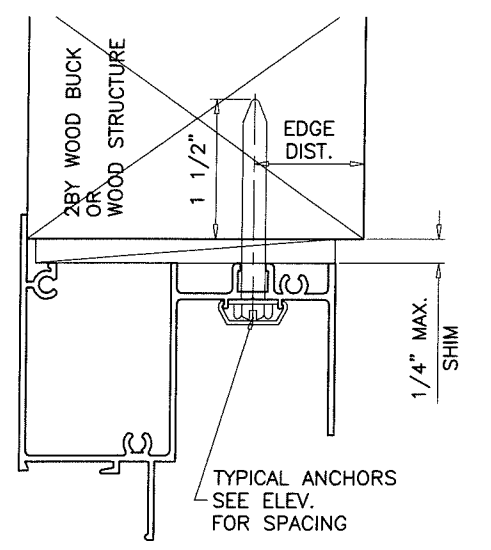
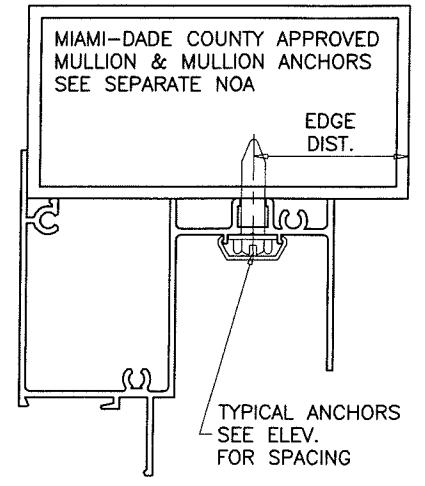
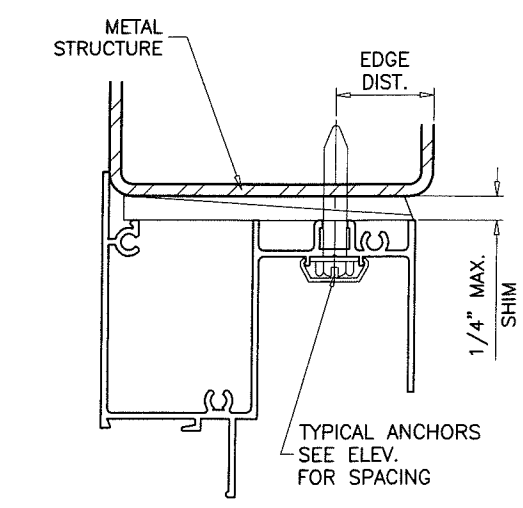
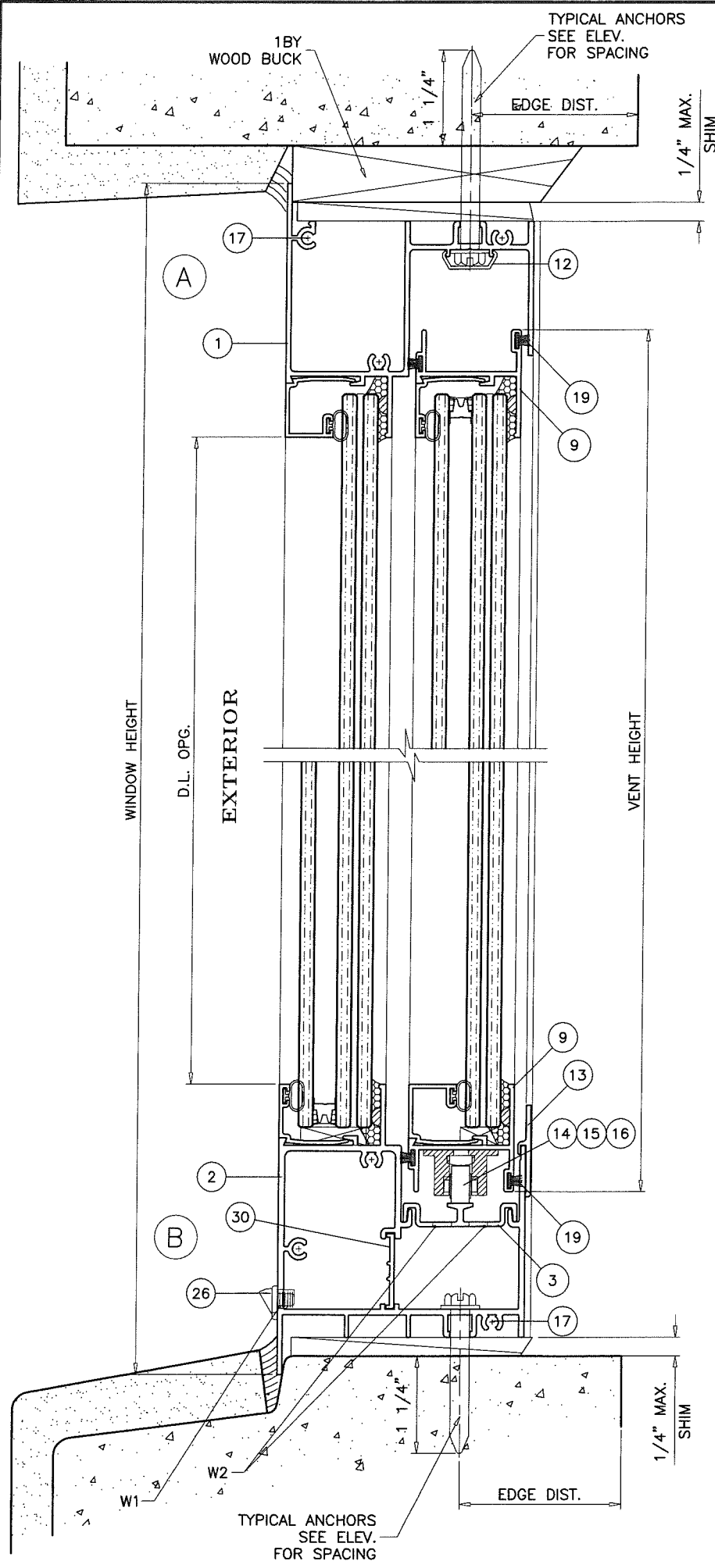
afcc
AL-FAROOQ CORPORATION
ENGINEERS & PRODUCT DEVELOPMENT
9360 SUNSET DRIVE, SUITE 220
MIAMI, FLORIDA 33173 (C.A.N. 3538)
TEL. (305) 264-8100 FAX. (305) 262-6978
COMP-ANL\18-48D-ECO

SERIES-250 ALUM HORIZ. ROLLING WDW. (L.M.I.)
ECO WINDOW SYSTEMS, LLC.
8502 N.W. 80th STREET
MEDLEY, FL. 33166
TEL. (305) 885-5299 FAX (305) 885-5902

REVISIONS:		NO	DATE	DESCRIPTION	REV. PER	COMMENTS
A	06.14.18					

date: 04-23-18
scale: 3/8" = 1'-0"
dr. by: TARIQ
chk. by:

drawing no.
18-48D
sheet 2 of 7



WEEPHOLES:

- W1 = 1/4" X 2-1/4" WEEPHOLES WITH BAFFLE AT 4" FROM EACH END AND 37-1/2" O.C. MAX.
- W2 = (3) 1/4" DIA. WEEPHOLES AT 1/2" O.C. AT CENTER OF EACH LITE

WOOD BUCKS AND METAL STRUCTURE NOT BY ECO WDW. MUST SUSTAIN LOADS IMPOSED BY GLAZING SYSTEM AND TRANSFER THEM TO THE BUILDING STRUCTURE.

TYPICAL ANCHORS: SEE ELEV. FOR SPACING

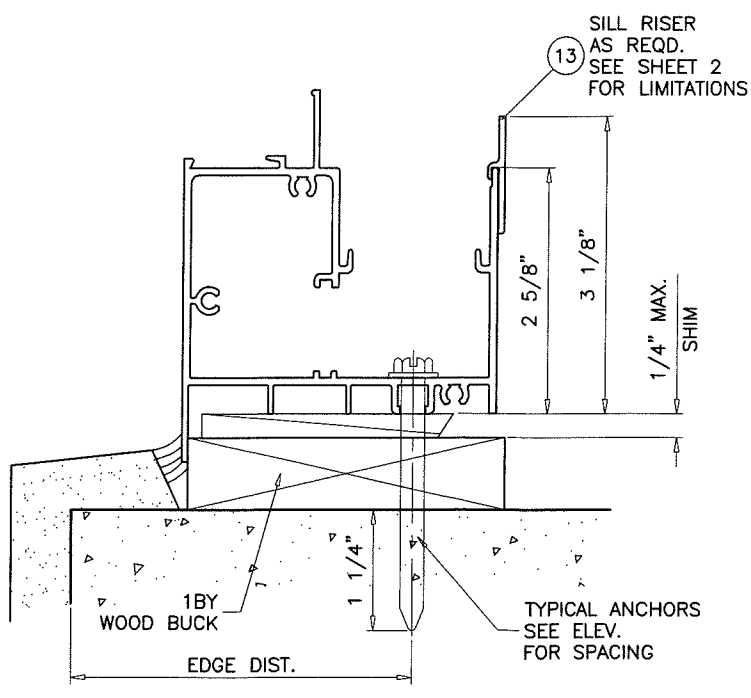
- 1/4" DIA. ULTRACON BY 'ELCO' (Fu=177 KSI, Fy=155 KSI) INTO 2BY WOOD BUCKS OR WOOD STRUCTURES 1-1/2" MIN. PENETRATION INTO WOOD (HEAD/SILL/JAMBS) THRU 1BY BUCKS INTO CONC. OR BLOCKS 1-1/4" MIN. EMBED INTO CONCRETE (HEAD/SILL/JAMBS) 1-1/4" MIN. EMBED INTO BLOCKS (JAMBS)
- DIRECTLY INTO CONCRETE OR BLOCKS 1-1/4" MIN. EMBED INTO CONCRETE (HEAD/SILL/JAMBS) 1-1/4" MIN. EMBED INTO BLOCKS (JAMBS)

- #14 SMS OR SELF DRILLING SCREWS (GRADE 2 CRS) INTO MIAMI-DADE COUNTY APPROVED MULLIONS OR INTO METAL STRUCTURES (HEAD/SILL/JAMBS) (3) THREADS MIN. TO EXTEND BEYOND METAL THICKNESS ALUMINUM: 1/8" THK. MIN. (6063-T5 MIN.) STEEL: 1/8" THK. MIN. (Fy = 36 KSI MIN.) (STEEL IN CONTACT WITH ALUMINUM TO BE PLATED OR PAINTED)

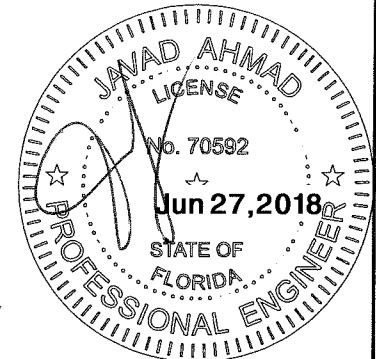
TYPICAL EDGE DISTANCE

- INTO CONCRETE AND BLOCKS = 2-1/2" MIN.
- INTO WOOD STRUCTURE = 1" MIN.
- INTO METAL STRUCTURE = 3/4" MIN.

- WOOD AT HEAD, SILL OR JAMBS SG = 0.55 MIN.
- CONCRETE AT HEAD, SILL OR JAMBS f'c = 3000 PSI MIN.
- C-90 HOLLOW/FILLED BLOCK AT JAMBS f'm = 2000 PSI MIN.



Approved as complying with the Florida Building Code
 Date: Aug. 30, 2018
 18-20426-09
 Manuel Perez



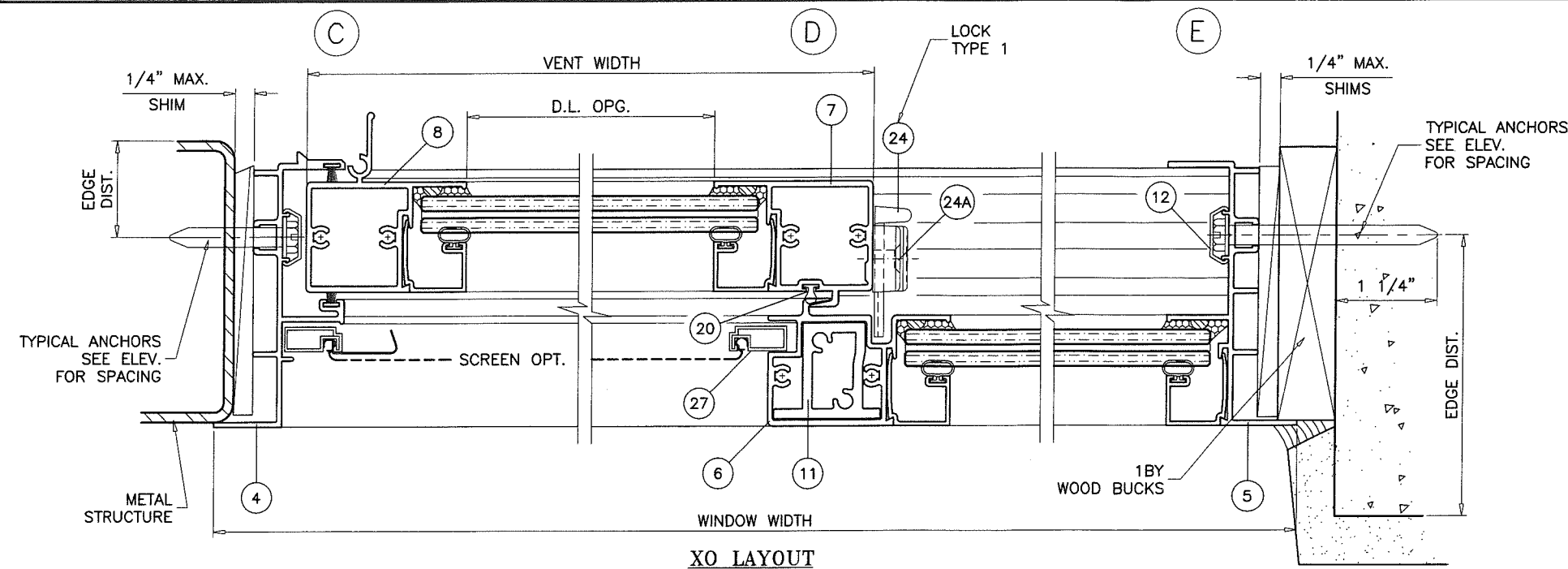
af c
AL-FAROOQ CORPORATION
 ENGINEERS & PRODUCT DEVELOPMENT
 9360 SUNSET DRIVE, SUITE 220
 MIAMI, FLORIDA 33173 (C.A.N. 3538)
 TEL. (305) 264-8100 FAX. (305) 262-6978
 COMP-ANL 18-48D-ECO

SERIES-250 ALUM HORIZ. ROLLING WDW. (L.M.I.)
ECO WINDOW SYSTEMS, LLC.
 8502 N.W. 80th STREET
 MEDLEY, FL. 33166
 TEL. (305) 885-5299 FAX (305) 885-5902

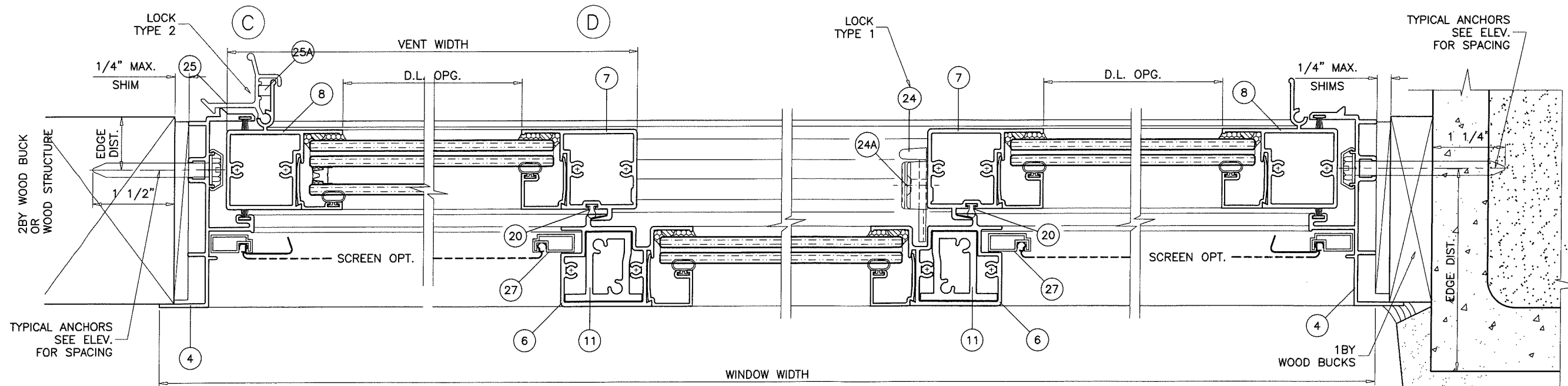
revisions:	no	date	by	description
	A	06.14.18		REV. PER PER COMMENTS

date: 04-23-18
 scale: 1/2" = 1"
 dr. by: TARIQ
 chk. by:

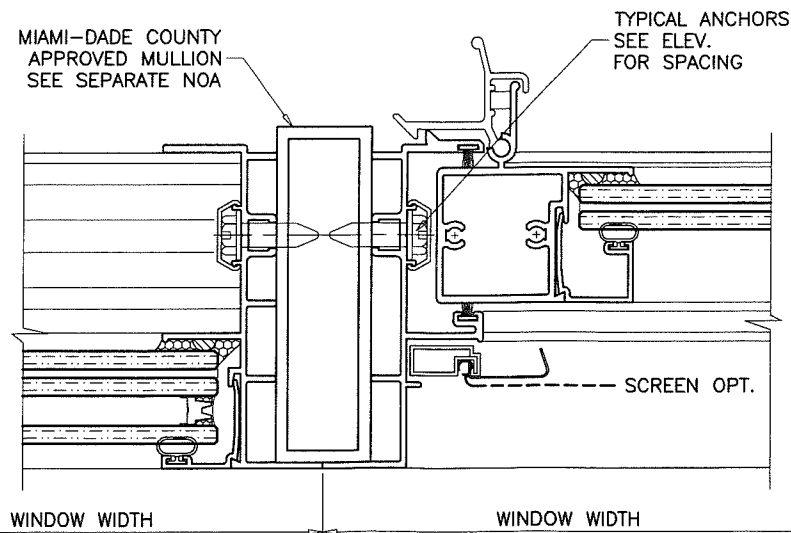
drawing no. **18-48D**
 sheet 3 of 7



XO LAYOUT

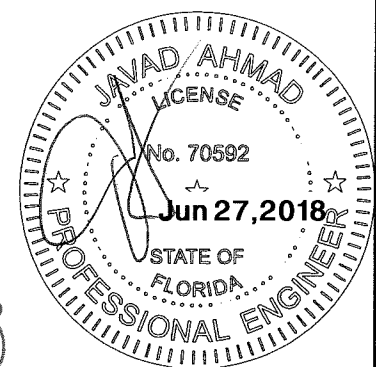


XOX LAYOUT



Approved as complying with the Florida Building Code
 Date: Aug. 30, 2018
 NOA# 18-20426-09
 Miami-Dade Product Control

Manuel Perez

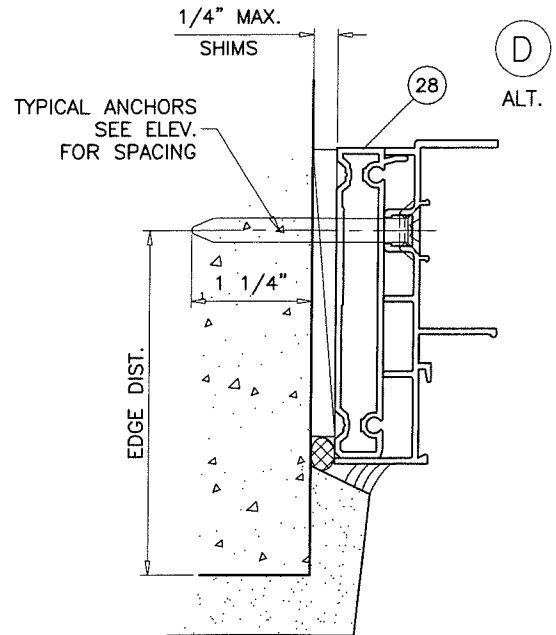
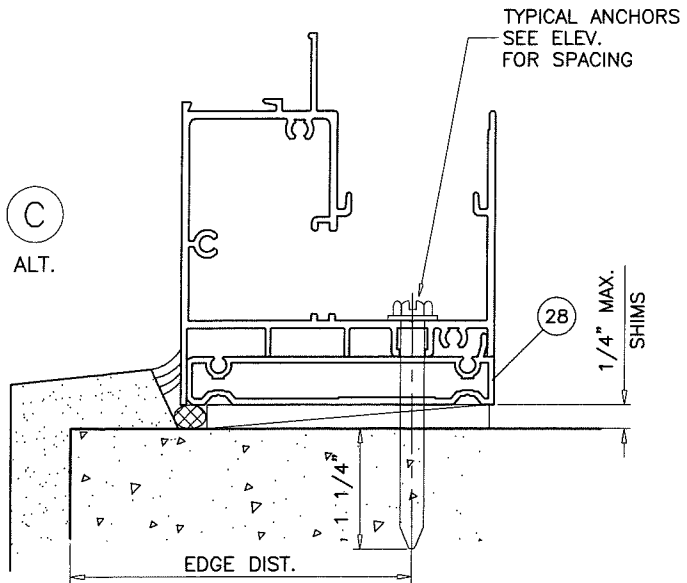
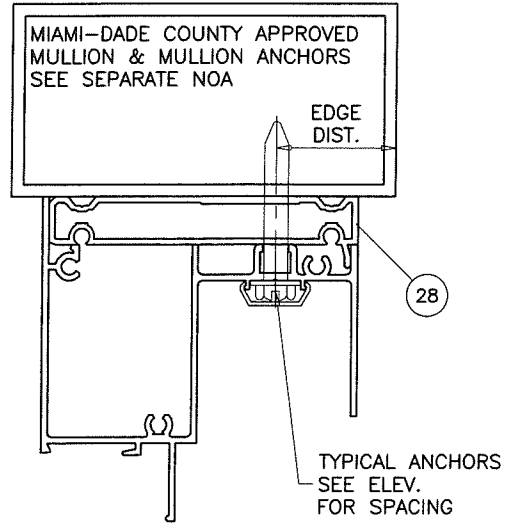
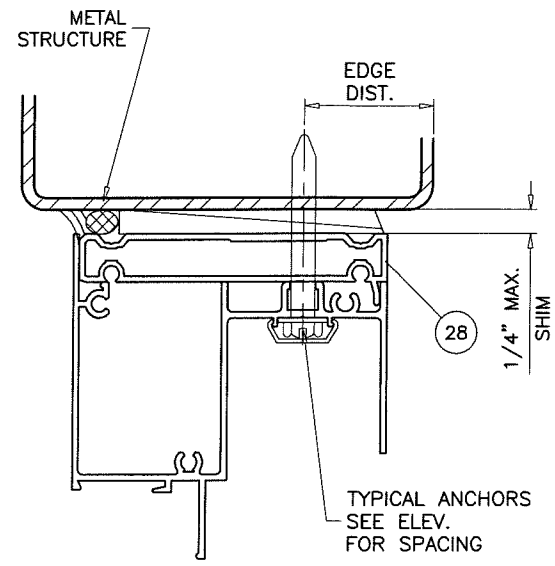
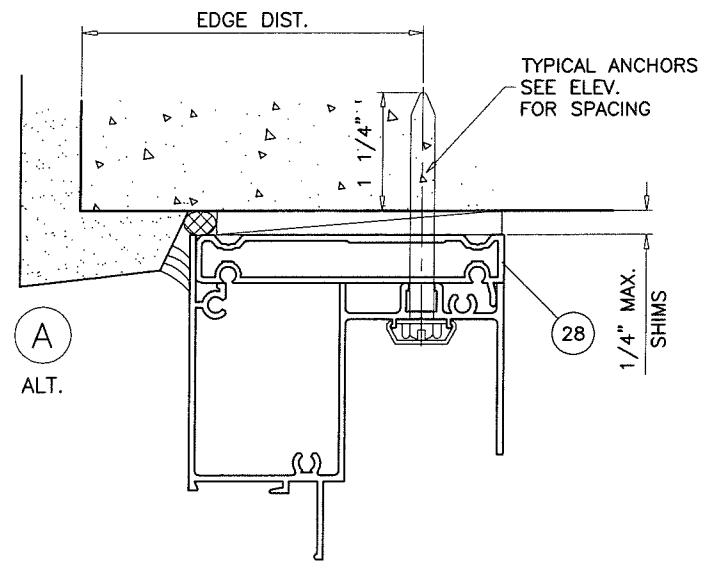


afcc
AL-FAROOQ CORPORATION
 ENGINEERS & PRODUCT DEVELOPMENT
 9360 SUNSET DRIVE, SUITE 220
 MIAMI, FLORIDA 33173 (C.A.N. 3538)
 TEL. (305) 264-8100 FAX (305) 262-6978
 COMP-ANL 18-48D-ECO

SERIES-250 ALUM. HORIZ. ROLLING WDW. (L.M.I.)
ECO WINDOW SYSTEMS, LLC.
 8502 N.W. 80th STREET
 MEDLEY, FL. 33166
 TEL. (305) 885-5299 FAX (305) 885-5902

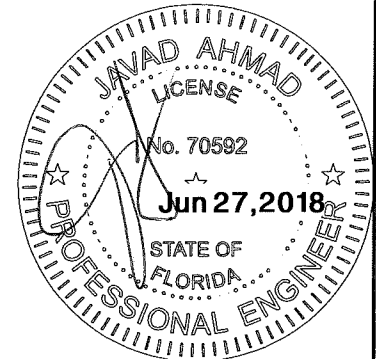
revisions:		by description	date
A	06.14.18	REV. PER PER COMMENTS	

date: 04-23-18
 scale: 1/2" = 1"
 dr. by: TARIQ
 chk. by:
 drawing no. 18-48D
 sheet 4 of 7



INSTALLATION DETAILS WITH FLUSH FRAME ADAPTER

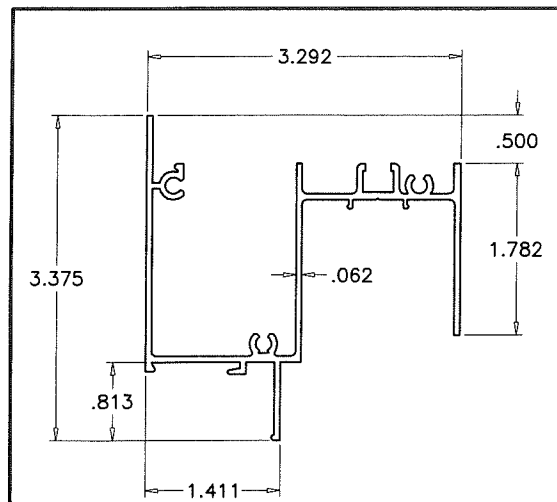
Approved as complying with the Florida Building Code
 Date Aug. 30, 2018
 NOA# 18-60426.09
 Miami Dade Product Control
Manuel Perez



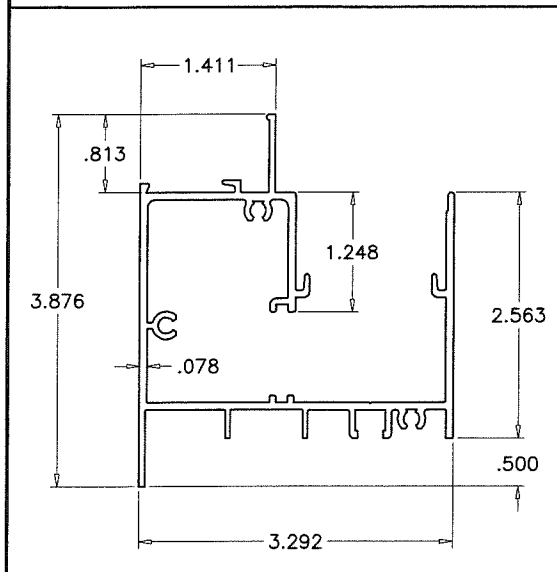
afcc
AL-FAROOQ CORPORATION
 ENGINEERS & PRODUCT DEVELOPMENT
 9360 SUNSET DRIVE, SUITE 220 (C.A.N. 3558)
 MIAMI, FLORIDA 33173
 TEL. (305) 264-8100 FAX. (305) 262-6978
 COMP-ANL\18-48D-ECO

SERIES-250 ALUM HORIZ. ROLLING WDW. (L.M.I.)
ECO WINDOW SYSTEMS, LLC.
 8502 N.W. 80th STREET
 MEDLEY, FL. 33166
 TEL. (305) 885-5299 FAX (305) 885-5902

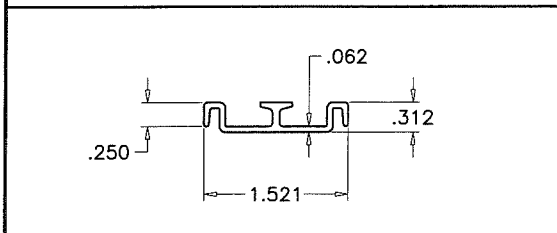
revisions:		no	date	by	description
A	06.14.18				REV. PER RER COMMENTS
date:	04-23-18	scale:	1/2" = 1"	dr. by:	TARIQ
		chk. by:			
drawing no.		18-48D			
sheet		5 of 7			



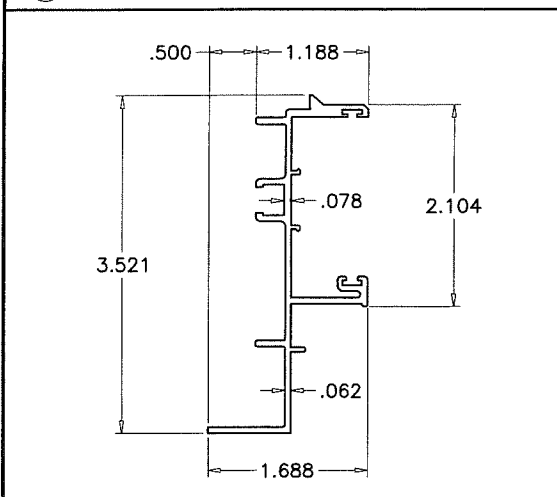
① FRAME HEAD



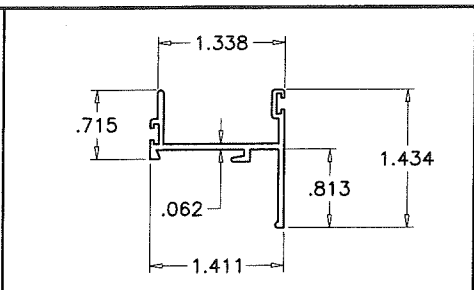
② FRAME SILL



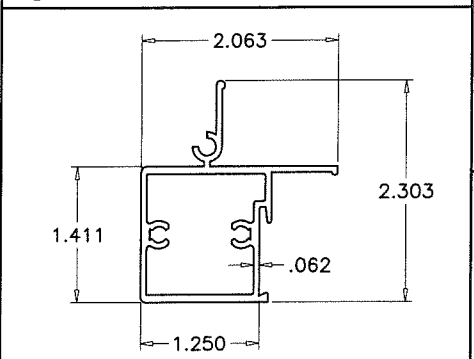
③ SILL TRACK



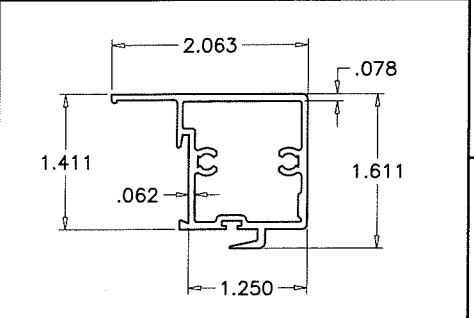
④ MOV. FRAME JAMB



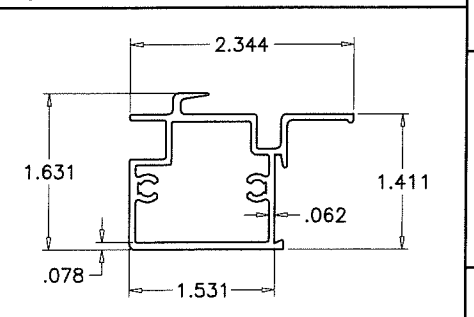
⑨ VENT TOP/BOTTOM RAIL



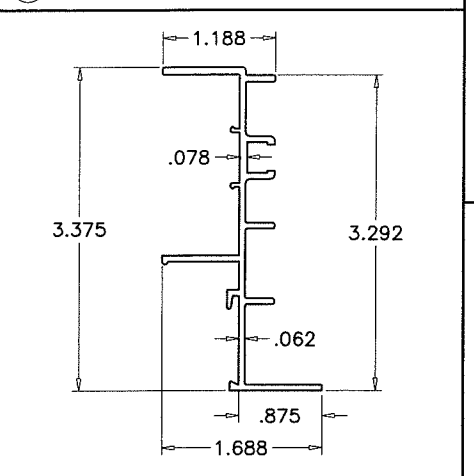
⑧ JAMB STILE



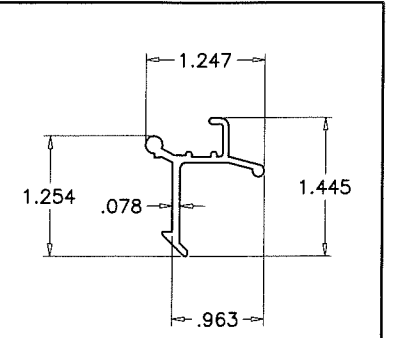
⑦ MEETING RAIL



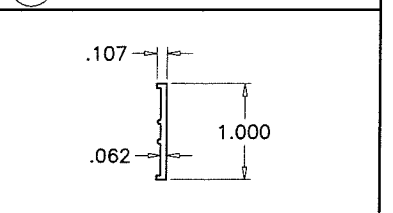
⑥ FIXED MTG. RAIL



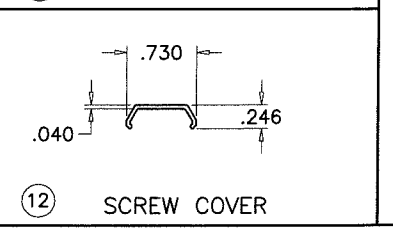
⑤ FIXED FRAME JAMB



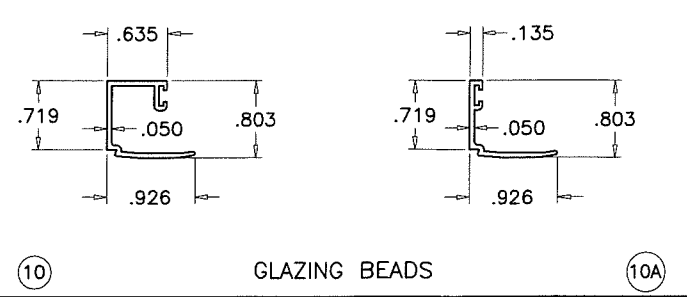
⑫ SPRING LOADED LATCH



⑩ SILL SUPPORT

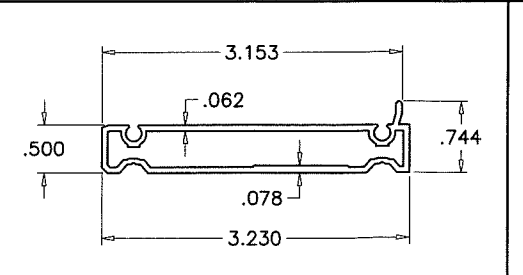


⑫ SCREW COVER

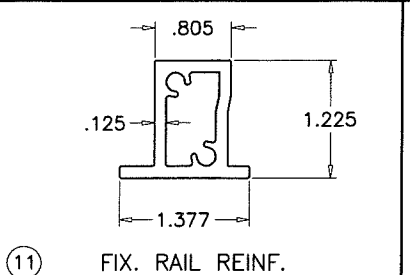


⑩ GLAZING BEADS

⑬ SILL RISER



⑫ FLUSH FRAME ADAPTER



⑪ FIX. RAIL REINF. SHEAR BLOCK

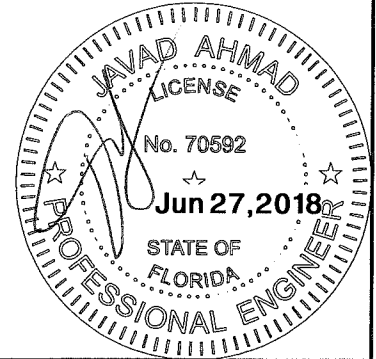
ITEM	PART #	QUANTITY	DESCRIPTION	MATERIAL	MANF./SUPPLIER/REMARKS
1	E251	1	FRAME HEAD	6063-T6	-
2	E252	1	FRAME SILL	6063-T6	-
3	E255	1	SILL TRACK INSERT	6063-T6	-
4	E253	AS REQD.	MOV. FRAME JAMB	6063-T6	-
5	E151	AS REQD.	FIXED FRAME JAMB	6063-T6	-
6	E154	1/ VENT	FIXED MTG. RAIL	6063-T6	-
7	E155	1/ VENT	VENT INTERLOCK	6063-T6	-
8	E254	1/ VENT	JAMB STILE	6063-T6	-
9	E157	2/ VENT	TOP AND BOTTOM RAIL	6063-T6	-
10	E159	AS REQD.	GLAZING BEAD (LAM. GLASS)	6063-T6	-
10A	E158	AS REQD.	GLAZING BEAD (INSUL. LAM. GLASS)	6063-T6	-
11	E256	AS REQD.	FIX. RAIL REINF., FULL LENGTH	6063-T6	-
11A	E256	AS REQD.	SHEAR BLOCK, 2" LONG	6063-T6	-
12	E162	AS REQD.	SCREW COVER	PVC	-
13	E204	AS REQD.	ADD-ON SILL RISER	6063-T6	USE AS REQD.
14	E257	4/ VENT	ROLLER HOUSING & GUIDE	CELCON	-
15	FY209	2/ VENT	ROLLER	BRASS	-
16	FY210	2/ VENT	ROLLER PIN	ST. STEEL	-
17	#10 X 1"	AS REQD.	FRAME/VENT ASSEMBLY SCREWS	CRS	P.H. SMS
17A	#10 X 1-1/4"	2/ CORNER	FLUSH FRAME ADAPTER FASTENERS	CRS	FH SMS
18	#10 X 3"	2/ VENT	FIX. RAIL SILL SCREWS (SILL END)	CRS	P.H. SMS
19	W23181	AS REQD.	FIN SEAL W'STRIPPING	-	ULTRAFAB
20	Q300T190	AS REQD.	BULB SEAL	Q-LON	SCHLEGEL
22	E203	AS REQD.	GLAZING BEAD BULB	SANTOPRENE	ULTRAFAB, DUROMETER 65±5
23	FLB-50	AS REQD.	GLASS SPACER	SILICONE	FRANK LOWE
24	SL203P	2/ VENT	SWEEP LATCH	-	SULLIVAN & ASSOC.
24A	#8 X 1/8"	2/ LATCH	LATCH INST. SCREW	ST. STEEL	OH SMS
25	FY113	2/ VENT	SPRING LOADED LATCH	6063-T6	-
25A	-	1/ LATCH	LATCH SPRING	ST. STEEL	-
26	WA2L	2/ WDW.	WEEP VALVE	-	PREFERRED ENG. PRODUCTS
27	-	1/ VENT	5/16" BOX SCREEN	-	OPTIONAL
28	E161	-	FLUSH FRAME ADAPTER	6063-T6	OPTIONAL
29	-	2/ LITE	SETTING BLOCK	EPDM	DUROMETER 80±5 SHORE A
30	-	1	SILL SUPPORT INSERT	6063-T6	-
31	-	-	INSUL. GLASS EDGE SPACER	ST. STEEL	CARDINAL XL

SEALANT:

ALL JOINTS AND FRAME CONNECTIONS SEALED WITH JOINT SEALER.

Approved as complying with the Florida Building Code
 Date: Apr 30, 2018
 No. 18-0426-09
 Miami Date Product Control

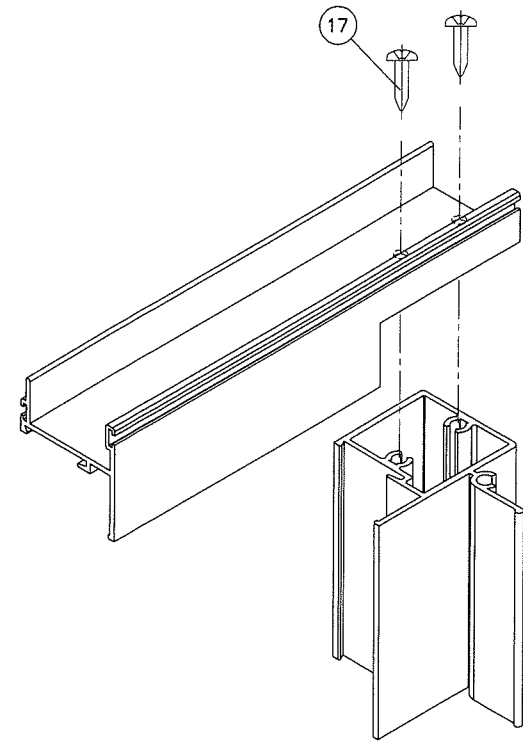
Manuel Perez



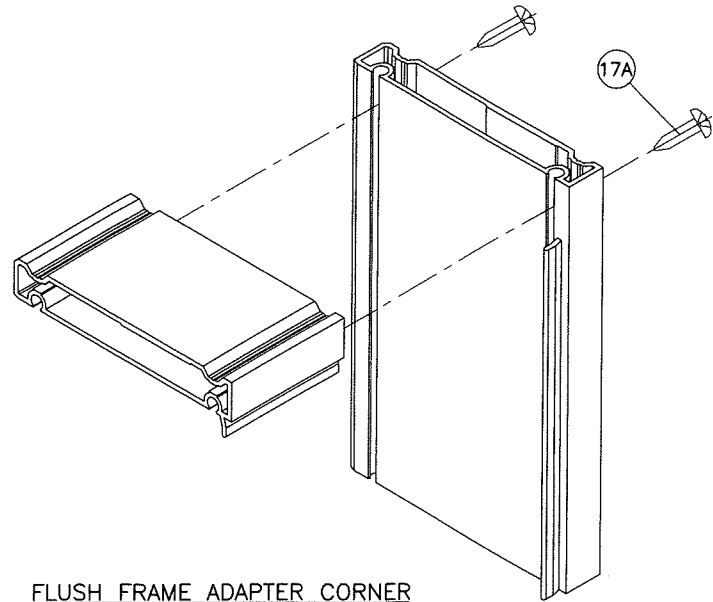
afcc
AL-FAROOQ CORPORATION
 ENGINEERS & PRODUCT DEVELOPMENT
 9360 SUNSET DRIVE, SUITE 220
 MIAMI, FLORIDA 33173 (C.A.N. 3538)
 TEL. (305) 264-8100 FAX. (305) 262-6978
 COMP-ANL | 18-48D-ECO

SERIES-250 ALUM. HORIZ. ROLLING WDW. (L.M.I.)
ECO WINDOW SYSTEMS, LLC.
 8502 N.W. 80th STREET
 MEDLEY, FL. 33166
 TEL. (305) 885-5299 FAX (305) 885-5902

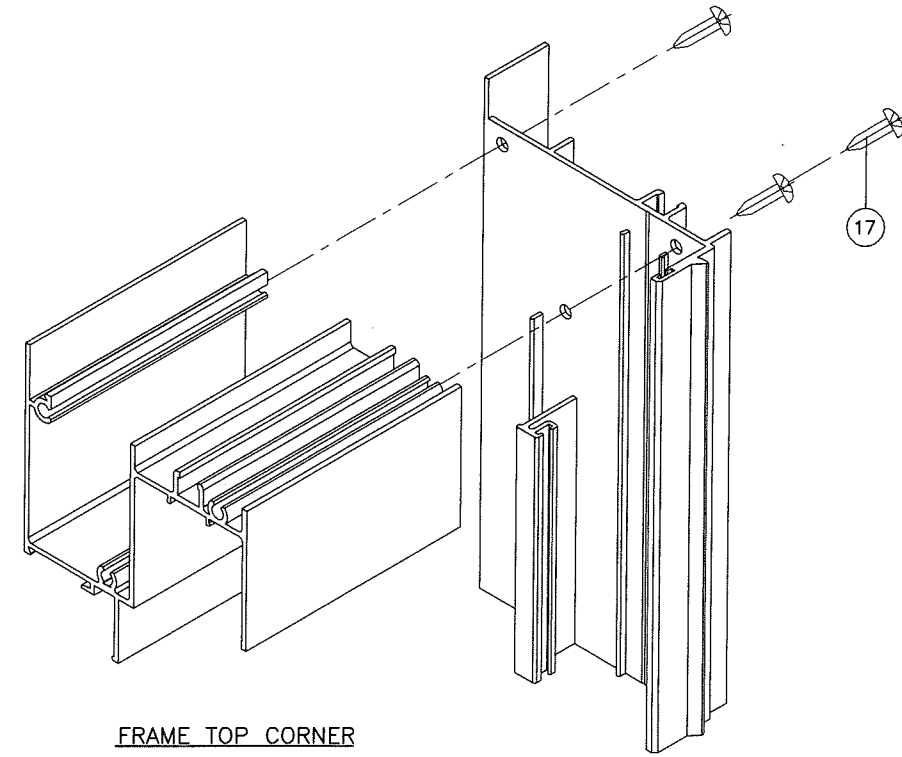
revisions:	no.	date	by	description
	A	06.14.18		NO CHANGE THIS SHEET
date:	04-23-18			
scale:	1/2" = 1"			
dr. by:	TARIQ			
chk. by:				
drawing no.	18-48D			
sheet	6 of 7			



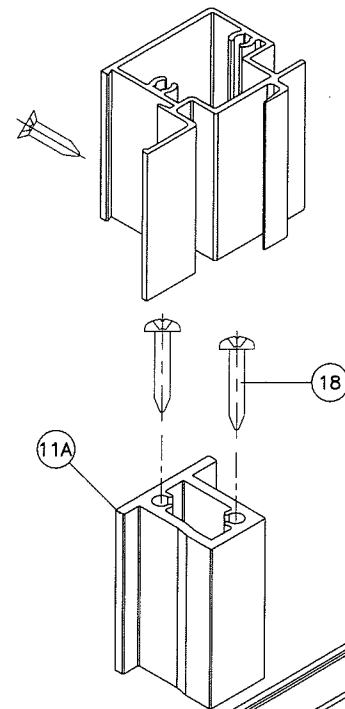
VENT TOP/BOTTOM CORNERS



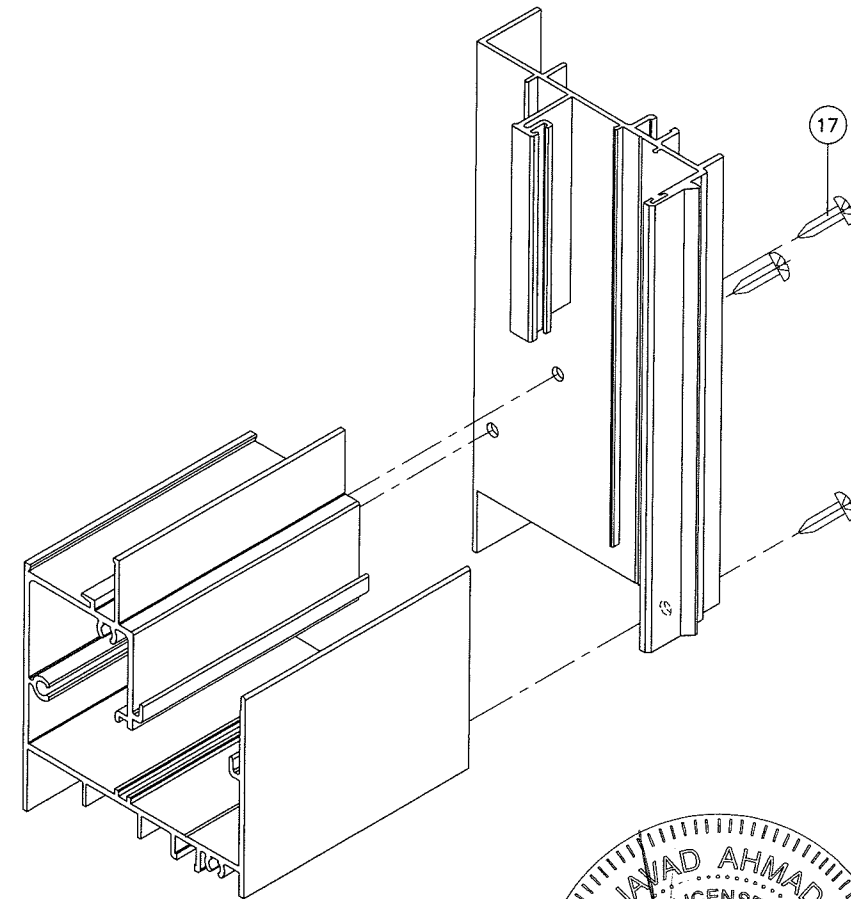
FLUSH FRAME ADAPTER CORNER



FRAME TOP CORNER



FIXED MTG. RAIL CORNER



FRAME BOTTOM CORNER

Approved as complying with the
 Florida Building Code
 Date Aug. 30, 2018
 No. 18-0426-09
 Miami Date Product Control

Mamud Puro



afc
AL-FAROOQ CORPORATION
 ENGINEERS & PRODUCT DEVELOPMENT
 9360 SUNSET DRIVE, SUITE 220 (C.A.N. 3538)
 MIAMI, FLORIDA 33173
 TEL. (305) 264-8100 FAX (305) 262-6978
 COMP-ANL \ 18-48D-ECO

SERIES-250 ALUM HORIZ. ROLLING WDW. (L.M.I.)
ECO WINDOW SYSTEMS, LLC.
 8502 N.W. 80th STREET
 MEDLEY, FL. 33166
 TEL. (305) 885-5299 FAX (305) 885-5902

revisions:		date:	scale:	dr. by:	chk. by:
no	description	04-23-18	1/2" = 1"	TARIQ	
A	NO CHANGE THIS SHEET	06.14.18			
drawing no.		18-48D			
sheet		7 of 7			