



DEPARTMENT OF REGULATORY AND ECONOMIC RESOURCES (RER)
 BOARD AND CODE ADMINISTRATION DIVISION
NOTICE OF ACCEPTANCE (NOA)

ECO Windows Systems, LLC
 9114 N. W. 106th Street,
 Medley, FL 33178

SCOPE:

This NOA is being issued under the applicable rules and regulations governing the use of construction materials. The documentation submitted has been reviewed and accepted by Miami-Dade County RER -Product Control Section to be used in Miami Dade County and other areas where allowed by the Authority Having Jurisdiction (AHJ).

This NOA shall not be valid after the expiration date stated below. The Miami-Dade County Product Control Section (In Miami Dade County) and/or the AHJ (in areas other than Miami Dade County) reserve the right to have this product or material tested for quality assurance purposes. If this product or material fails to perform in the accepted manner, the manufacturer will incur the expense of such testing and the AHJ may immediately revoke, modify, or suspend the use of such product or material within their jurisdiction. RER reserves the right to revoke this acceptance, if it is determined by Miami-Dade County Product Control Section that this product or material fails to meet the requirements of the applicable building code.

This product is approved as described herein, and has been designed to comply with the Florida Building Code, including the High Velocity Hurricane Zone.

DESCRIPTION: Series 600 Aluminum Outswing Doors-L.M.I.

APPROVAL DOCUMENT: Drawing No. **W12-08 Rev E**, titled "Series 600 Alum Outswing Entrance Door (L.M.I.)", sheets 1 through 9 of 9 (inclusive 7.1), prepared by AL-Farooq Corporation, dated 02/13/12 and last revised on MAR 15, 2018, signed and sealed by Javad Ahmad, P.E., bearing the Miami-Dade County Product Control Renewal stamp with the Notice of Acceptance number and expiration date by the Miami-Dade County Product Control Section.

MISSILE IMPACT RATING: Large and Small Missile Impact Resistant

Limitation:

1. See Single or Double Door Design Pressure (DP) ratings in sheet **2**. See Single or Double Door DP ratings with sidelites (w/wo Reinforcement) and Standalone Single sidelite rating in sheet **3**. The max door leaf width shall not to exceed 37". See locking options 1 & 2 in sheet **7.1**.
2. Laminated glass types G1 and G2 are limited to Kuraray's .090" Trofossil PVB and glass type G3 is limited to Insulated laminated glass w/ Eastman Chemical's .090" Saflex interlayer.

LABELING: Each unit shall bear a permanent label with the manufacturer's name or logo, city, state and series and following statement: "Miami-Dade County Product Control Approved", noted herein.

RENEWAL of this NOA shall be considered after a renewal application has been filed and there has been no change in the applicable building code negatively affecting the performance of this product.

TERMINATION of this NOA will occur after the expiration date or if there has been a revision or change in the materials, use, and/or manufacture of the product or process. Misuse of this NOA as an endorsement of any product, for sales, advertising or any other purposes shall automatically terminate this NOA. Failure to comply with any section of this NOA shall be cause for termination and removal of NOA.

ADVERTISEMENT: The NOA number preceded by the words Miami-Dade County, Florida, and followed by the expiration date may be displayed in advertising literature. If any portion of the NOA is displayed, then it shall be done in its entirety.

INSPECTION: A copy of this entire NOA shall be provided to the user by the manufacturer or its distributors and shall be available for inspection at the job site at the request of the Building Official.

This NOA **renews** NOA #**18-0319.13** and consists of this page 1 and evidence pages E-1 & E-2, as well as approval document mentioned above.

The submitted documentation was reviewed by **Ishaq I. Chanda, P.E.**



1/9/19

NOTICE OF ACCEPTANCE: EVIDENCE SUBMITTED

1. Evidence submitted under previous approvals

A. DRAWINGS

1. Manufacturer's die drawings and sections (see below)
2. Drawing No. **W12-08 Rev C**, titled "Series 600 Alum Outswing Entrance Door (L.M.I.)", sheets 1 through 9 of 9 (inclusive 7.1), prepared by AL-Farooq Corporation, dated 02/13/12 and last revised on SEP 04, 2015, signed and sealed by Javad Ahmad, P.E.

B. TESTS (submitted under file #12-0402.03)

1. Test reports on:
 - 1) Air Infiltration Test, per FBC, TAS 202-94
 - 2) Uniform Static Air Pressure Test, Loading per FBC TAS 202-94
 - 3) Water Resistance Test, per FBC, TAS 202-94
 - 4) Large Missile Impact Test per FBC, TAS 201-94
 - 5) Cyclic Wind Pressure Loading per FBC, TAS 203-94
 - 6) Forced Entry Test, per FBC 2411 3.2.1, TAS 202-94

along with marked-up drawings and installation diagram of an aluminum Outswing French door, prepared by Hurricane Engineering & Testing, Inc., Test Report No.

HETI-12-3357, HETI-12-3358, HETI-12-4003, HETI-12-4003 and HETI-12-4027 dated 03/16-26/12, all signed and sealed by Rafael E. Droz-Seda, P. E.

Note: The above referenced test reports have been revised by an addendum letter dated June 29, 2012, issued by Hurricane Engineering & Testing, Inc., signed and sealed by Rafael E. Droz-Seda, P. E.

C. CALCULATIONS

1. Anchor verification calculations and structural analysis, complying with FBC-2014(**5th Edition**), prepared by Al Farooq Corporation, dated June 02, 2015, signed and sealed by Javad Ahmad, P.E.
2. Glazing complies w/ ASTME-1300-02, -04 & -09.

D. QUALITY ASSURANCE

1. Miami Dade Department of Regulatory and Economic Resources (RER).

E. MATERIAL CERTIFICATIONS

1. Notice of Acceptance No. **11-0624.01** issued to **Kuraray America, Inc.** (Former E.I. DuPont DeNemours & Co., Inc. for the "**Butacite @ PVB interlayer**", expiring on 12/11/16.
2. Notice of Acceptance No. **12-1231.10** issued to **Eastman Chemical Company (MA)** (former Solutia, Inc.) for the "Saflex: Saflex Clear & Color glass interlayer", expiring on 05/21/16.
3. XL Edge seal System 201 SS spacer by Cardinal IG.

F. STATEMENTS

1. Statement letter of conformance to FBC 2014 (**5th Edition**) and letter of no financial interest, prepared by Al Farooq Corporation, dated 06/02/15, signed and sealed by Javad Ahmad, P.E.
2. Addendum letter dated June 29, 2012, issued by Hurricane Engineering & Testing, Inc., signed and sealed by Rafael E. Droz-Seda, P. E.
3. Lab compliance as part of the above referenced test report.

G. OTHER

1. This NOA **revises** NOA #**15-0603.13**, expiring 03/20/19.
2. Test proposal, dated 10/14/11 and 02-21-12 approved by PERA.



Ishaq I. Chanda, P.E.

Product Control Unit Supervisor

NOA No. 18-1220.11

Expiration Date: March 20, 2024

Approval Date: January 17, 2019

NOTICE OF ACCEPTANCE: EVIDENCE SUBMITTED

2. **Evidence submitted under previous approvals.**

A. **DRAWINGS**

1. Drawing No. **W12-08 Rev E**, titled “Series 600 Alum Outswing Entrance Door (L.M.I.)”, sheets 1 through 9 of 9 (inclusive 7.1), prepared by AL-Farooq Corporation, dated 02/13/12 and last revised on MAR 15, 2018, signed and sealed by Java Ahmad, P. E.

B. **TESTS**

1. None.

C. **CALCULATIONS**

1. Anchor verification calculations complying with FBC2017 (6th Edition), prepared by Al Farooq Corporation, dated OCT 31, 2017 and last revised on MAR 13, 2018, signed and sealed by Javad Ahmad, P.E.(submitted under file #17-1102.18)

D. **QUALITY ASSURANCE**

1. Miami Dade Department of Regulatory and Economic Resources (RER).

E. **MATERIAL CERTIFICATIONS**

1. Notice of Acceptance No. **16-1117.01** issued to **Kuraray America, Inc.** (Former E.I. DuPont DE Nemours) for the “**Trofosil ® (Clear & Ultra clear) PVB Glass interlayers**”, expiring on 07/08/19.
2. Notice of Acceptance No. **17-0712.05** issued to **Eastman Chemical Company (MA)** for their “**Saflex Clear & Color Glass Interlayer**”, expiring on 05/21/21.

F. **STATEMENTS**

1. Statement letter of conformance to **FBC 5th Edition (2014)** and **FBC 6th Edition (2017)** & of no financial interest, prepared by Al Farooq Corp., dtd 10/04/17, signed & sealed by Javad Ahmad, P.E.

G. **OTHER**

1. This NOA **revises NOA # 17-1218.15**, expiring 03/02/2019.

1. **New Evidence submitted.**

A. **DRAWINGS**

1. Drawing No. **W12-08 Rev E**, titled “Series 600 Alum Outswing Entrance Door (L.M.I.)”, sheets 1 through 9 of 9 (inclusive 7.1), prepared by AL-Farooq Corporation, dated 02/13/12 and last revised on MAR 15, 2018, signed and sealed by Java Ahmad, P. E.

B. **TESTS**

1. None.

C. **CALCULATIONS**

1. None

D. **QUALITY ASSURANCE**

1. Miami Dade Department of Regulatory and Economic Resources (RER).

E. **MATERIAL CERTIFICATIONS**


1. None.

F. **STATEMENTS** (submitted under file # **18-0319.13**)

1. Statement letter of conformance to **FBC 6th Edition (2017)** and of no financial interest, prepared by Al Farooq Corporation, dated 10/04/17, signed and sealed by Javad Ahmad, P.E.

G. **OTHER**

1. This NOA **renews NOA #18-0319.13**, expiring 03/02/2024.



Ishaq I. Chanda, P.E.
Product Control Unit Supervisor
NOA No. 18-1220.11
Expiration Date: March 20, 2024
Approval Date: January 17, 2019

SERIES 600

ALUMINUM OUTSWING ENTRANCE DOOR

SINGLE (X) AND DOUBLE (XX) LEAF DOORS SEE SHEET 2.
 STAND ALONE SINGLE SIDELITE SEE SHEET 3.
 SINGLE AND DOUBLE LEAF DOORS WITH SIDELITES SEE SHEET 3.
 LOWER VALUES FROM SIDELITE CAPACITY CHART OR DOOR CAPACITY WILL
 APPLY TO ENTIRE SYSTEM.

DOORS APPROVED FOR INSTALLATIONS WHERE WATER INFILTRATION
 RESISTANCE IS REQUIRED.

THIS PRODUCT HAS BEEN DESIGNED AND TESTED TO COMPLY WITH THE
 REQUIREMENTS OF THE 2017 (6TH EDITION) FLORIDA BUILDING CODE
 INCLUDING HIGH VELOCITY HURRICANE ZONE (HVHZ).

1BY OR 2BY WOOD BUCKS & BUCK FASTENERS BY OTHERS, MUST BE
 DESIGNED AND INSTALLED ADEQUATELY TO TRANSFER APPLIED PRODUCT LOADS
 TO THE BUILDING STRUCTURE.

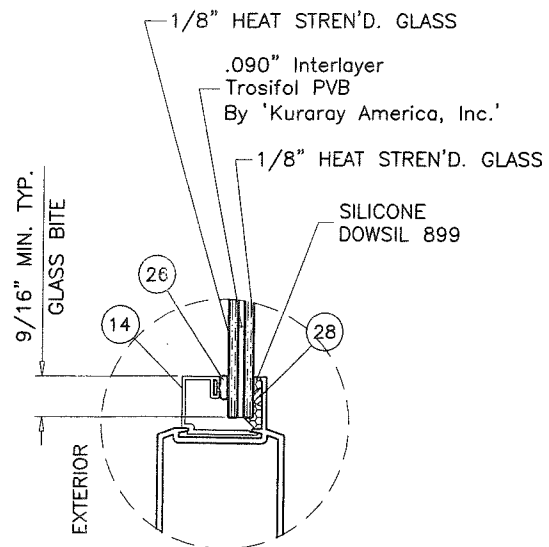
ANCHORS SHALL BE CORROSION RESISTANT, SPACED AS SHOWN ON DETAILS
 AND INSTALLED PER MANUF'S INSTRUCTIONS. SPECIFIED EMBEDMENT TO BASE
 MATERIAL SHALL BE BEYOND WALL DRESSING OR STUCCO.

A LOAD DURATION INCREASE IS USED IN DESIGN OF ANCHORS INTO WOOD ONLY.

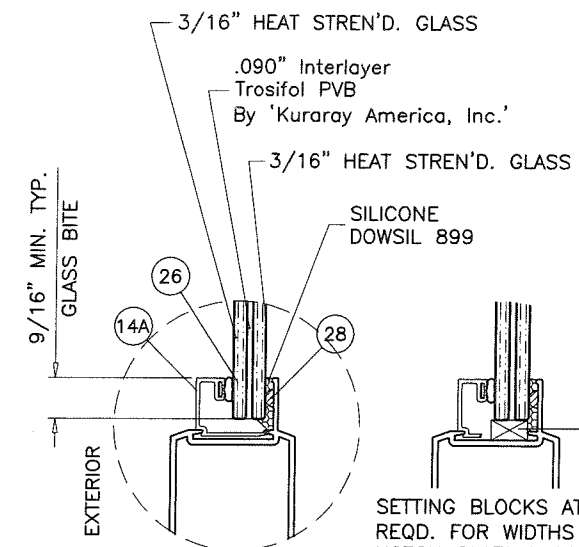
ALL SHIMS TO BE HIGH IMPACT, NON-METALLIC AND NON-COMPRESSIBLE.

MATERIALS INCLUDING BUT NOT LIMITED TO STEEL/METAL SCREWS, THAT
 COME INTO CONTACT WITH OTHER DISSIMILAR MATERIALS SHALL MEET THE
 REQUIREMENTS OF THE 2017 FLORIDA BLDG. CODE & ADOPTED STANDARDS.

THIS PRODUCT APPROVAL IS GENERIC AND DOES NOT PROVIDE INFORMATION
 FOR A SITE SPECIFIC PROJECT, i.e. LIFE SAFETY OF THIS PRODUCT, ADEQUACY
 OF STRUCTURE RECEIVING THIS PRODUCT AND SEALING AROUND OPENING FOR
 WATER INFILTRATION RESISTANCE ETC.
 CONDITIONS NOT SHOWN IN THIS DRAWING ARE TO BE ANALYZED SEPARATELY,
 AND TO BE REVIEWED BY BUILDING OFFICIAL.

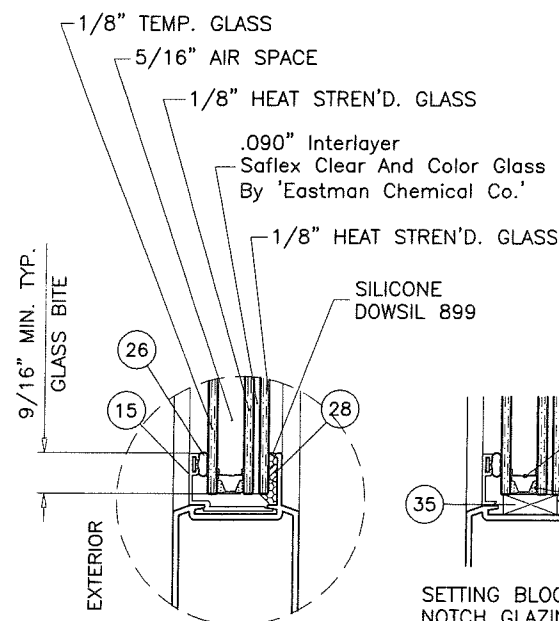


GLASS TYPE 'G1'



GLASS TYPE 'G2'

SETTING BLOCKS AT LAM. GLASS
 REQD. FOR WIDTHS EXCEEDING 36" ONLY.
 NOTCH GLAZING BEAD LEG TO
 CLEAR BLOCKS

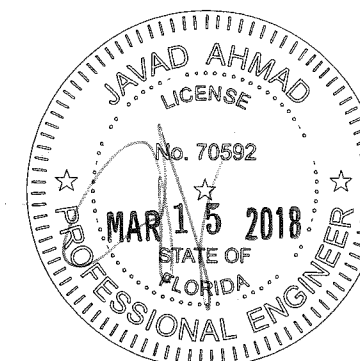


GLASS TYPE 'G3'

SETTING BLOCKS AT INSUL. LAM. GLASS
 NOTCH GLAZING BEAD LEG TO CLEAR BLOCKS

PRODUCT REVIEWED
 as complying with the Florida
 Building Code
 Acceptance No. 18-1220.11
 Expiration Date MAR 20, 2024
 By Ishag I. Ahmad
 Jamb/Block Product Control

PRODUCT REVISED
 as complying with the Florida
 Building Code
 Acceptance No. 18-0319.13
 Expiration Date MAR 20, 2019
 By Ishag I. Ahmad
 Jamb/Block Product Control



THESE DOORS ARE RATED FOR LARGE & SMALL MISSILE IMPACT.
 SHUTTERS ARE NOT REQUIRED.

afC
AL-FAROOQ CORPORATION
 ENGINEERS & PRODUCT DEVELOPMENT
 9360 SUNSET DRIVE, SUITE 220
 MIAMI, FLORIDA 33173 (C.A.N. 3538)
 TEL. (305) 264-8100 FAX. (305) 262-6978

SERIES 600 ALUM OUTSWING ENTRANCE DOOR (L.M.I.)
ECO WINDOW SYSTEMS, LLC.
 8502 N.W. 80th STREET
 MEDLEY, FL. 33166
 TEL. (305) 885-5299 FAX (305) 885-5902

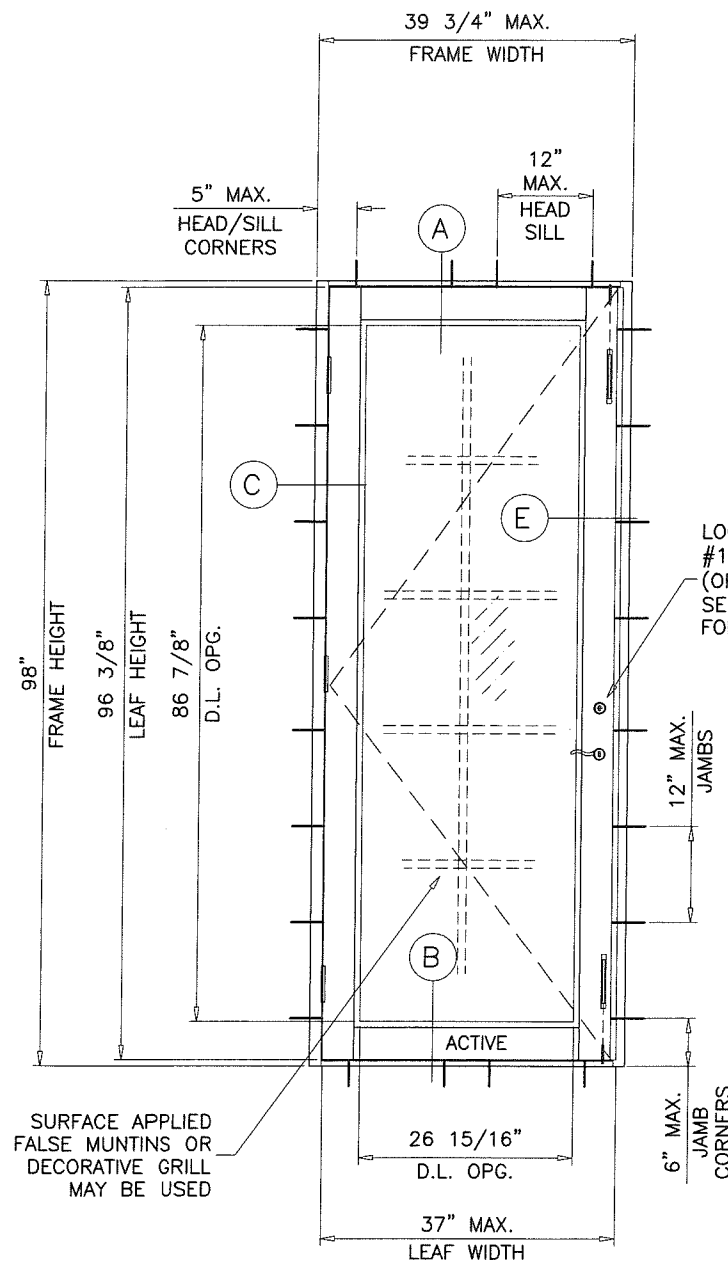
no	date	by	description
A	06.26.12	REV. PER PERA	COMMENTS
B	06.02.15	UPDATED TO 2014	FBC
C	09.02.15	REV. PER PER	COMMENTS
D	11.09.17	UPDATED TO 2017	FBC
E	03.15.18	JAMB ANCHOR	REV.

date: 02-13-12
 scale: 3/8" = 1"
 dr. by: TARIQ
 chk. by:

drawing no.
W12-08

sheet 1 of 9

COMP-ANL\W12-08ECO



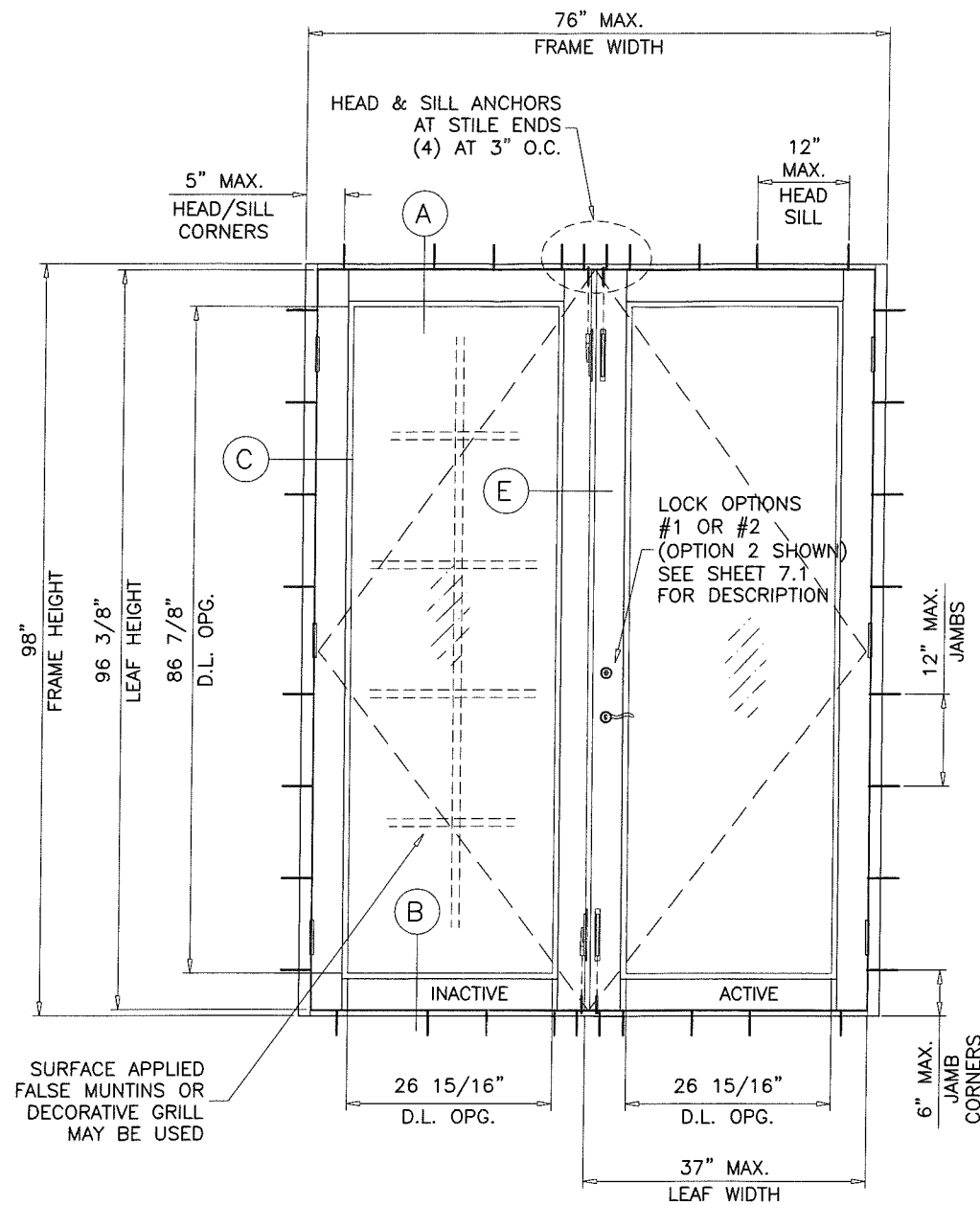
(X)

DOORS LOAD CAPACITY - PSF SINGLE DOORS (X)				
DOOR DIMS.			LAMINATED GLASS	
FRAME WIDTH	LEAF WIDTH	FRAME HEIGHT	EXT.(+)	INT.(-)
39-3/4"	37"	98"	70.0	75.0

GLASS D.L.O. DIMS.

D.L.O. HEIGHT = FRAME HEIGHT - 11.125"
 D.L.O. WIDTH (X DOORS) = FRAME WIDTH - 12.813"
 D.L.O. WIDTH (XX DOORS) = (FRAME WIDTH - 22.125")/2

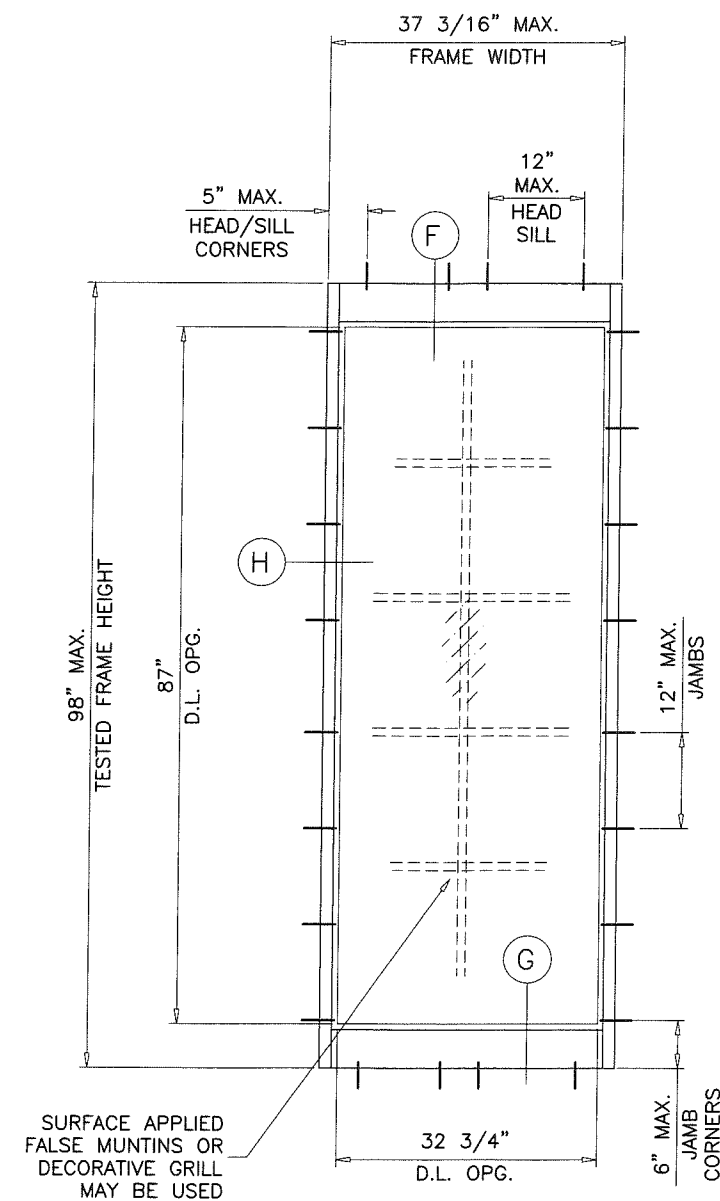
NOTE:
 EGRESS REQUIREMENTS TO BE REVIEWED
 BY BUILDING OFFICIAL.



(XX)

DOORS LOAD CAPACITY - PSF DOUBLE (XX)				
DOOR DIMS.			LAMINATED GLASS	
FRAME WIDTH	LEAF WIDTH	FRAME HEIGHT	EXT.(+)	INT.(-)
76"	37"	98"	70.0	75.0

NOTE:
 GLASS CAPACITIES ON THIS SHEET ARE
 BASED ON ASTM E1300-09 (3 SEC. GUSTS)
 AND FLORIDA BUILDING COMMISSION
 DECLARATORY STATEMENT DCA05-DEC-219

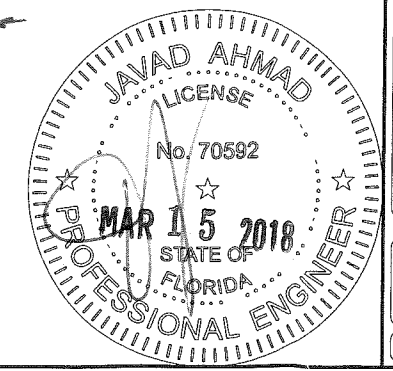


(O)

PRODUCT REVISED
 as complying with the Florida
 Building Code
 Acceptance No. 18-1226.11
 Expiration Date 3/20/24
 By: *Shay L. Chandra*
 Miami Dade Product Control

STAND ALONE SINGLE SIDELITE
 SEE SHEET 3 FOR CAPACITY

PRODUCT REVISED
 as complying with the Florida
 Building Code
 Acceptance No. 18-0319.13
 Expiration Date 3/20/19
 By: *Shay L. Chandra*
 Miami Dade Product Control



a f c
AL-FAROOQ CORPORATION
 ENGINEERS & PRODUCT DEVELOPMENT
 9360 SUNSET DRIVE, SUITE 220 (C.A.N. 3538)
 MIAMI, FLORIDA 33173
 TEL. (305) 264-8100 FAX. (305) 262-6978
 COMP-ANL W12-08ECO

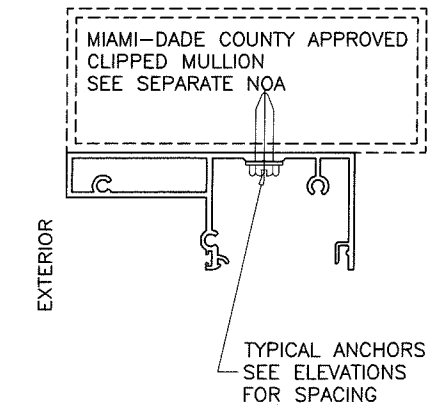
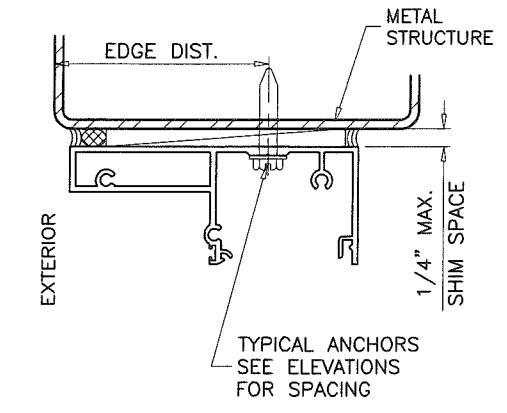
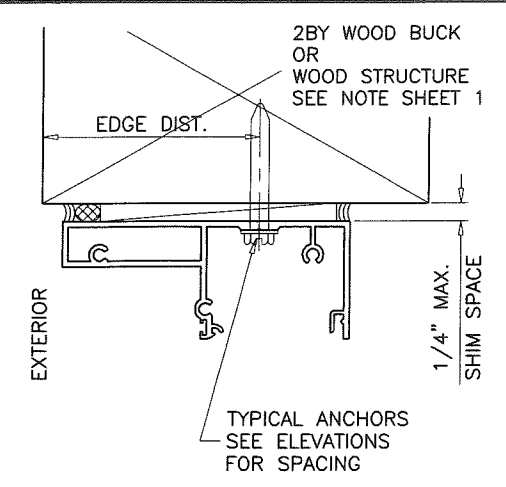
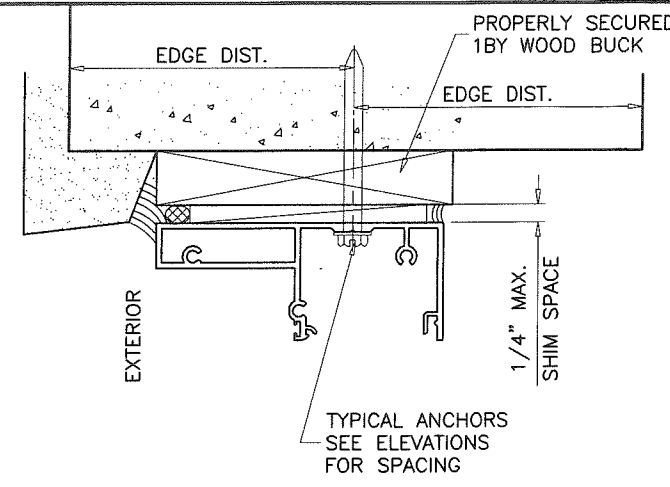
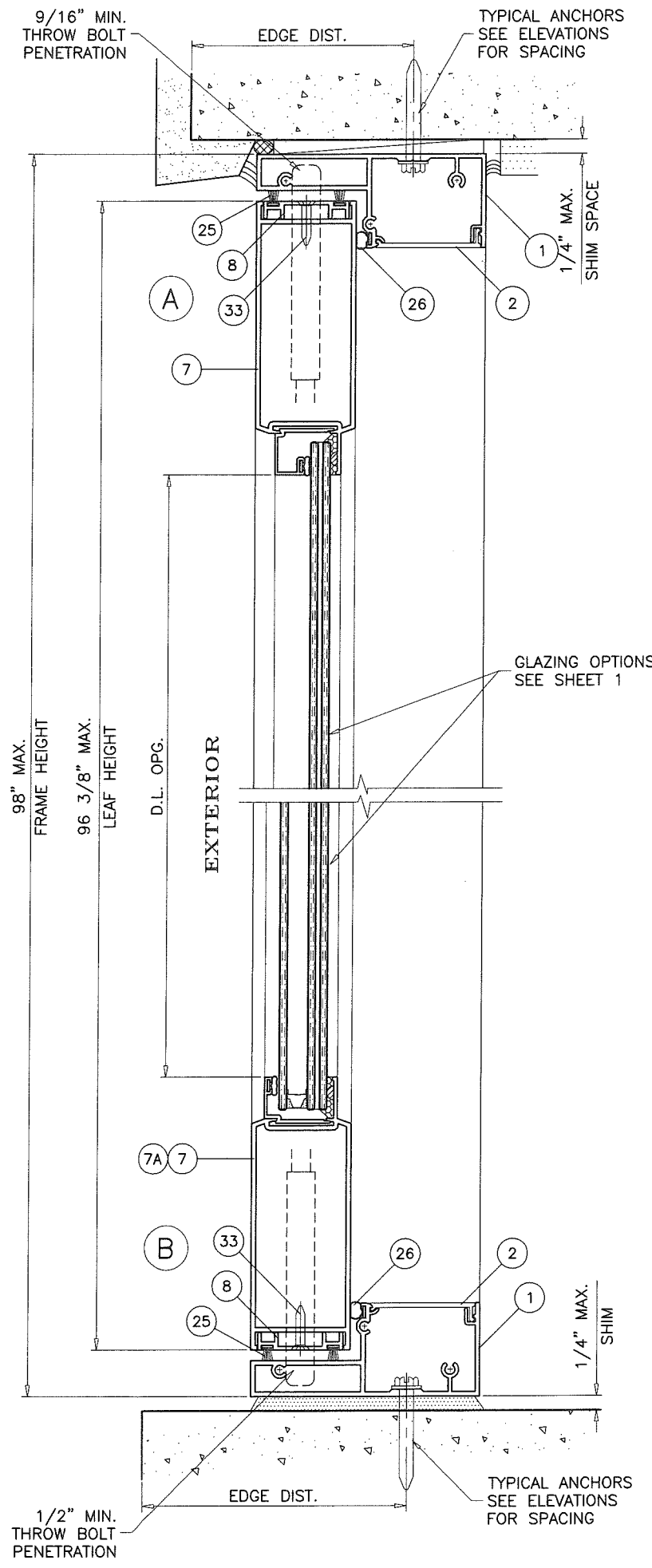
SERIES 600 ALUM OUTSWING ENTRANCE DOOR (L.M.I.)
ECO WINDOW SYSTEMS, LLC.
 8502 N.W. 80th STREET
 MEDLEY, FL. 33166
 TEL. (305) 885-5299 FAX (305) 885-5902

no	date	by	description
A	06.26.12	REV. PER PERA COMMENTS	
B	06.02.15	UPDATED TO 2014 FBC	
C	09.02.15	REV. PER PER COMMENTS	
D	11.09.17	UPDATED TO 2017 FBC	
E	03.15.18	NO CHANGE THIS SHEET	

revisions:

date: 02-13-12
 scale: 1/2"=1'-0"
 dr. by: TARIQ
 chk. by:

drawing no. **W12-08**
 sheet 2 of 9



1BY OR 2BY WOOD BUCKS AND METAL STRUCTURE NOT BY ECO WINDOWS MUST SUSTAIN LOADS IMPOSED BY GLAZING SYSTEM AND TRANSFER THEM TO THE BUILDING STRUCTURE.

TYPICAL ANCHORS: SEE ELEV. FOR SPACING
 1/4" DIA. ULTRACON BY 'ELCO' (Fu=177 KSI, Fy=155 KSI)
 INTO 2BY WOOD BUCKS OR WOOD STRUCTURES
 1-1/2" MIN. PENETRATION INTO WOOD (HEAD/JAMBS)
 THRU 1BY BUCKS INTO CONC. OR BLOCKS
 1-1/4" MIN. EMBED INTO CONCRETE (HEAD/JAMBS)
 1-1/4" MIN. EMBED INTO BLOCKS (JAMBS)
 DIRECTLY INTO CONCRETE OR BLOCKS
 1-1/4" MIN. EMBED INTO CONCRETE (HEAD/SILL/JAMBS)
 1-1/4" MIN. EMBED INTO BLOCKS (JAMBS)

#14 SMS OR SELF DRILLING SCREWS (GRADE 2 CRS)
 INTO MIAMI-DADE COUNTY APPROVED MULLIONS
 OR
 INTO METAL STRUCTURES (HEAD/JAMBS)
 (3) THREADS MIN. PENETRATION BEYOND SUBSTRATE
 ALUMINUM: 1/8" THK. MIN. (6063-T5 MIN.)
 STEEL: 1/8" THK. MIN. (Fy = 36 KSI MIN.)
 (STEEL IN CONTACT WITH ALUMINUM TO BE PLATED OR PAINTED)

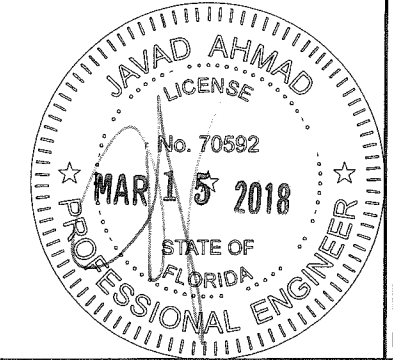
TYPICAL EDGE DISTANCE
 INTO CONCRETE AND MASONRY = 2-1/2" MIN.
 INTO WOOD STRUCTURE = 1" MIN.
 INTO METAL STRUCTURE = 3/4" MIN.

WOOD AT HEAD OR JAMBS SG = 0.55 MIN.
 CONCRETE AT HEAD, SILL OR JAMBS f'c = 3000 PSI MIN.
 C-90 HOLLOW/FILLED BLOCK AT JAMBS f'm = 2000 PSI MIN.

PRODUCT REVISED
 as complying with the Florida Building Code
 Acceptance No 18-1220-11
 Expiration Date 3/29/24
 By Ishag I. Ahmad
 Miami Dade Product Control

PRODUCT REVISED
 as complying with the Florida Building Code
 Acceptance No 18-0319-13
 Expiration Date 7/20/19
 By Ishag I. Ahmad
 Miami Dade Product Control

DOOR DETAILS



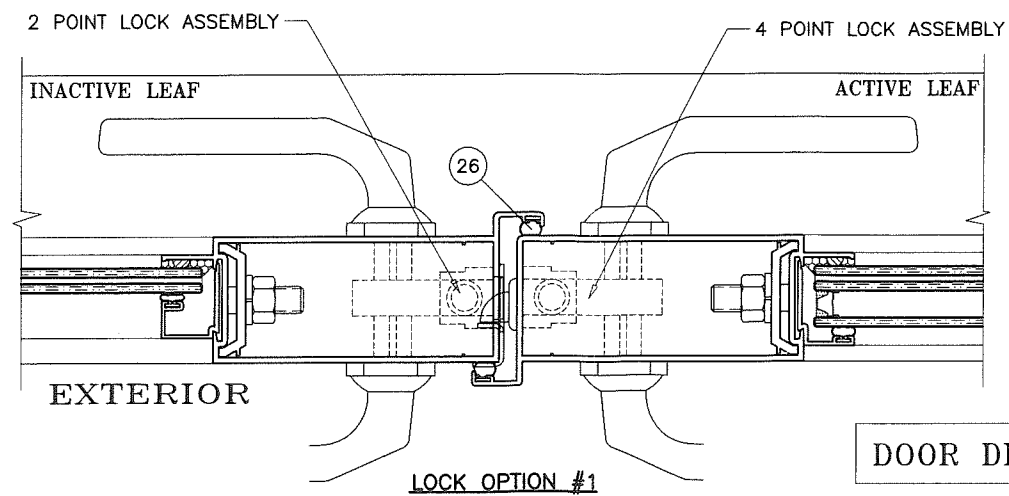
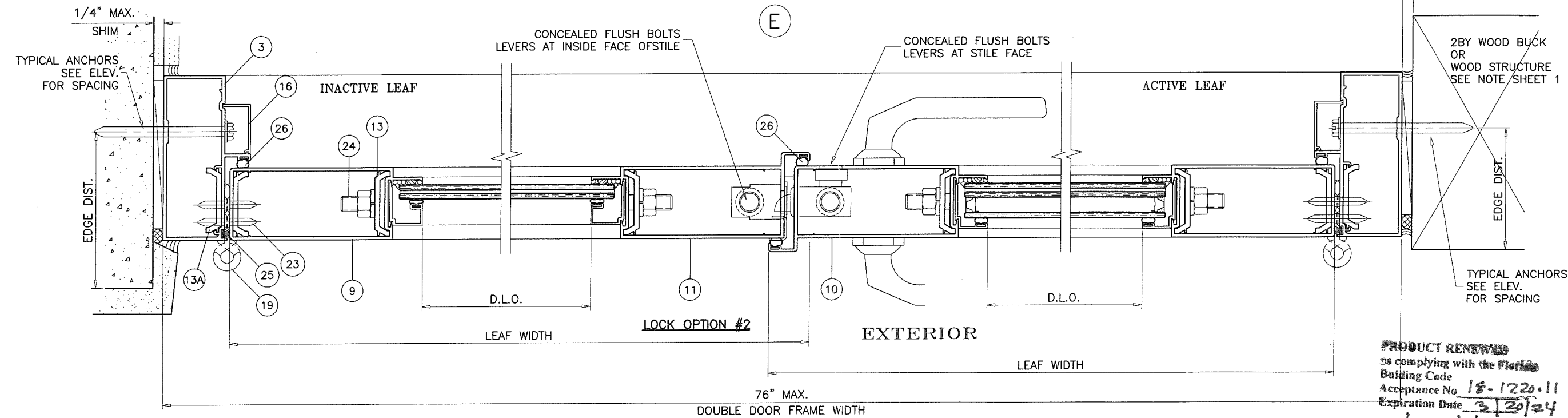
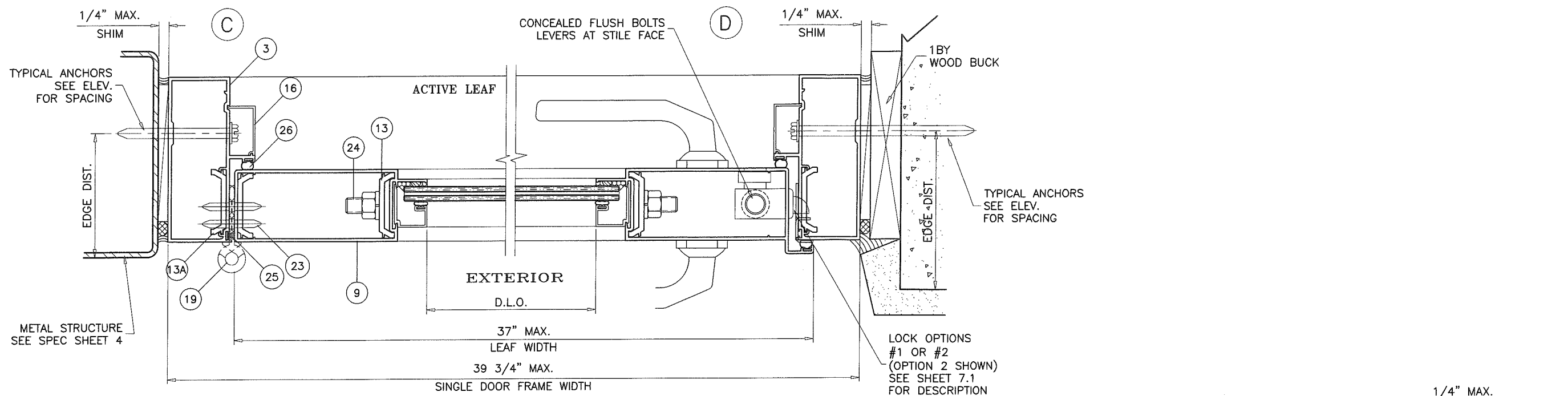
AL-FAROOQ CORPORATION
 ENGINEERS & PRODUCT DEVELOPMENT
 9360 SUNSET DRIVE, SUITE 220
 MIAMI, FLORIDA 33173
 TEL. (305) 264-8100 FAX. (305) 262-6978
 COMP-ANL W12-08ECO

SERIES 600 ALUM OUTSWING ENTRANCE DOOR (L.M.I.)
ECO WINDOW SYSTEMS, LLC.
 8502 N.W. 80th STREET
 MEDLEY, FL. 33166
 TEL. (305) 885-5299 FAX (305) 885-5902

no	date	by	description
A	06.26.12	REV. PER PERA COMMENTS	
B	06.02.15	UPDATED TO 2014 FBC	
C	09.02.15	REV. PER PER COMMENTS	
D	11.09.17	UPDATED TO 2017 FBC	
E	03.15.18	NO CHANGE THIS SHEET	

date: 02-13-12
 scale: 3/8" = 1"
 dr. by: TARIO
 chk. by:

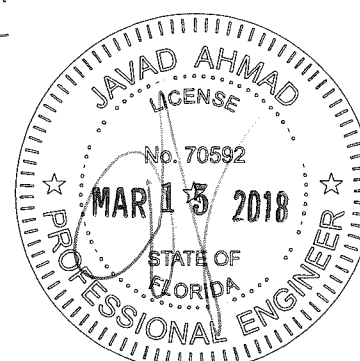
drawing no. **W12-08**
 sheet 4 of 9



DOOR DETAILS

PRODUCT REVISED
 as complying with the Florida
 Building Code
 Acceptance No. 18-1220-11
 Expiration Date 3/20/24
 by Ishag I. Uman
 Miami Based Product Control

PRODUCT REVISED
 as complying with the Florida
 Building Code
 Acceptance No. 18-0319-13
 Expiration Date 3/20/19
 by Ishag I. Uman
 Miami Based Product Control



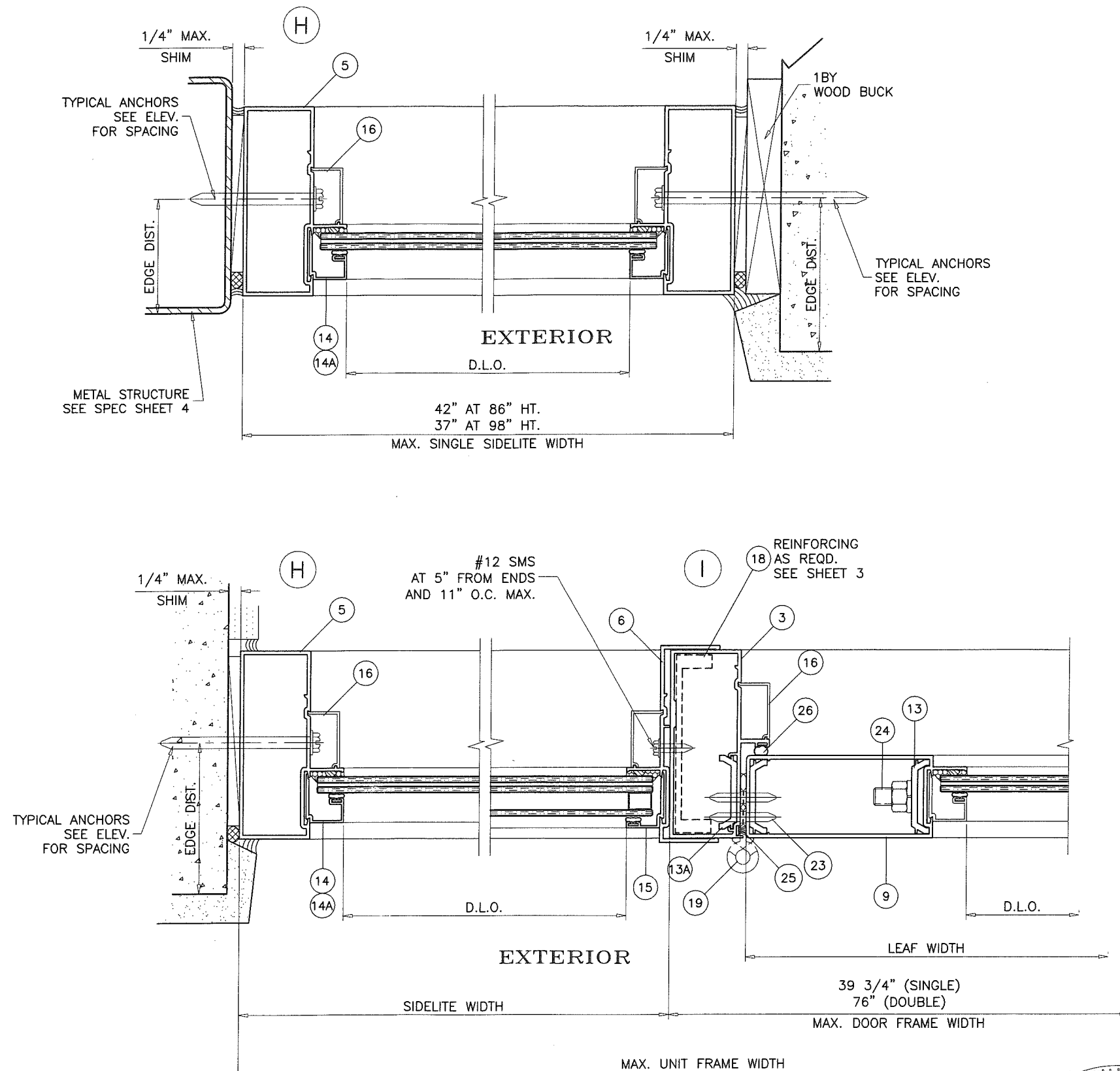
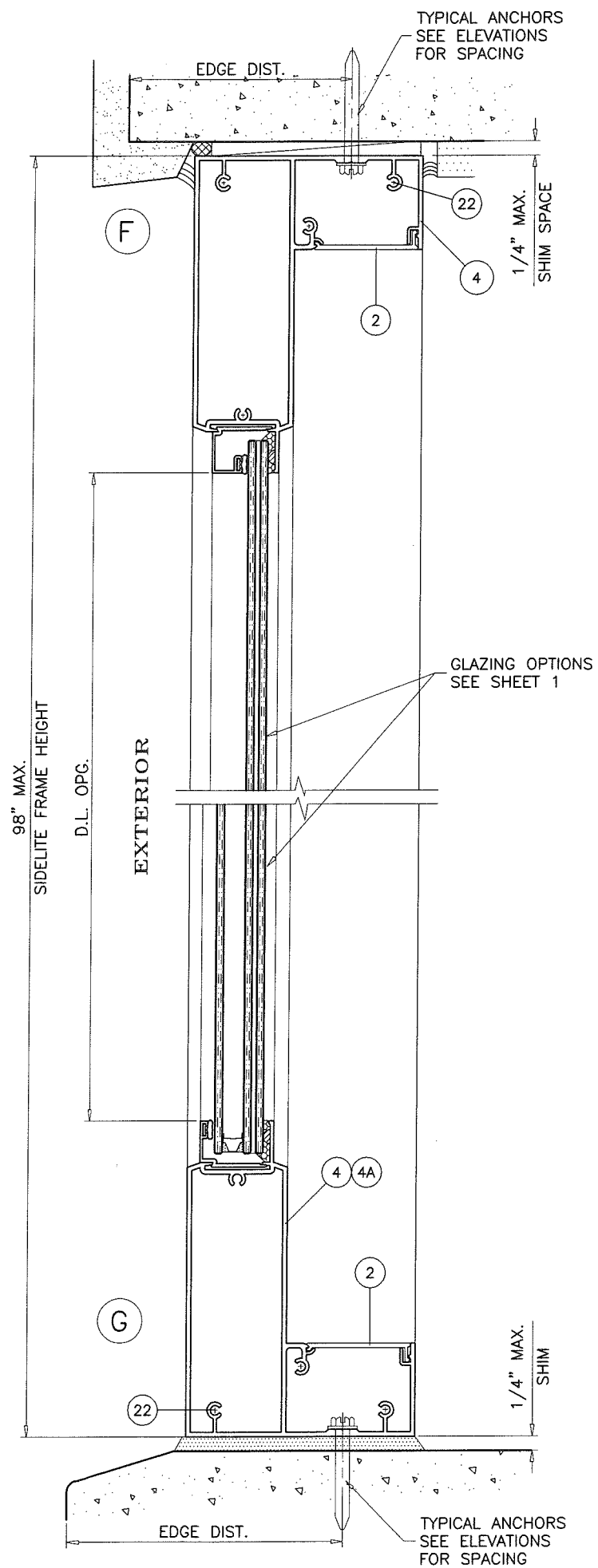
af c
AL-FAROOQ CORPORATION
 ENGINEERS & PRODUCT DEVELOPMENT
 9360 SUNSET DRIVE, SUITE 220 (C.A.N. 3538)
 MIAMI, FLORIDA 33173
 TEL. (305) 264-8100 FAX. (305) 262-6978
 COMP-ANL W12-08ECO

SERIES 600 ALUM OUTSWING ENTRANCE DOOR (L.M.I.)
ECO WINDOW SYSTEMS, LLC.
 8502 N.W. 80th STREET
 MEDLEY, FL. 33166
 TEL. (305) 885-5299 FAX (305) 885-5902

revisions:

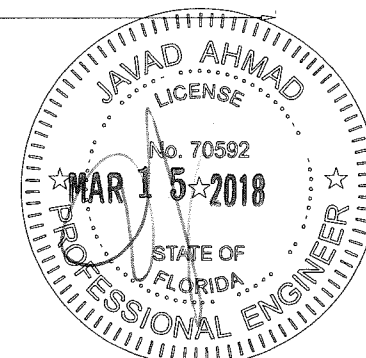
no	date	by	description
A	06.26.12	REV. PER PERA COMMENTS	
B	06.02.15	NO CHANGE THIS SHEET	
C	09.02.15	REV. PER PER COMMENTS	
D	11.09.17	UPDATED TO 2017 FBC	
E	03.15.18	JAMB ANCHOR REV.	

date: 02-13-12
 scale: 3/8" = 1"
 dr. by: TARIQ
 chk. by:
 drawing no. W12-08
 sheet 5 of 9



PRODUCT REVIEWED
 as complying with the Florida
 Building Code
 Acceptance No. 18-1220-11
 Expiration Date 3/20/24
 By Ishag I. Chandra
 Miami Dade Product Control

PRODUCT REVISED
 as complying with the Florida
 Building Code
 Acceptance No. 18-0319-13
 Expiration Date 2/20/19
 By Ishag I. Chandra
 Miami Dade Product Control



SIDELITE DETAILS

a f c
AL-FAROOQ CORPORATION
 ENGINEERS & PRODUCT DEVELOPMENT
 9360 SUNSET DRIVE, SUITE 220
 MIAMI, FLORIDA 33173 (C.A.N. 3538)
 TEL. (305) 264-8100 FAX. (305) 262-6978
 COMP-ANL\W12-08ECO

SERIES 600 ALUM OUTSWING ENTRANCE DOOR (L.M.I.)
ECO WINDOW SYSTEMS, LLC.
 8502 N.W. 80th STREET
 MEDLEY, FL. 33166
 TEL. (305) 885-5299 FAX (305) 885-5902

revisions:

no	date	by	description
A	06.26.12	REV. PER PERA COMMENTS	
B	06.02.15	NO CHANGE THIS SHEET	
C	09.02.15	REV. PER PER COMMENTS	
D	11.09.17	UPDATED TO 2017 FBC	
E	03.15.18	JAMB ANCHOR REV.	

date: 02-13-12
 scale: 3/8" = 1"
 dr. by: TARIQ
 chk. by:

drawing no.
W12-08
 sheet 6 of 9

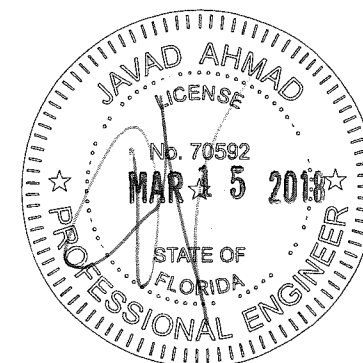
ITEM #	PART #	REQD.	DESCRIPTION	MATERIAL	MANF./SUPPLIER/REMARKS
1	E601	-	DOOR FRAME HEAD/SILL	6063-T6	-
2	E602	-	FRAME COVER	6063-T6	-
3	E603	-	DOOR FRAME JAMB	6063-T6	-
4	E604	-	SIDELITE TOP & BOTTOM FRAME	6063-T6	-
4A	E626	-	SIDELITE 9" BOTTOM FRAME	6063-T6	-
5	E605	-	SIDELITE FRAME JAMB	6063-T6	-
6	E606	-	SIDELITE SLIP ON JAMB	6063-T6	-
7	E607	-	LEAF TOP & BOTTOM RAIL	6063-T6	-
7A	E625	-	LEAF 9" BOTTOM RAIL	6063-T6	-
8	E608	-	LEAF W'STRIP ADAPTER	6063-T6	-
9	E609	-	LEAF HINGE STILE	6063-T6	-
10	E610	-	LEAF LOCK STILE	6063-T6	-
11	E611	-	LEAF ASTRAGAL STILE	6063-T6	-
12	E612	-	LEAF ALIGNMENT BRACKET	6063-T6	-
13	E613	-	LEAF CLAMP	6063-T6	4-1/4" LONG
13A	E613	-	HINGE BACK-UP PLATE	6063-T6	12" LONG
14	E614	-	GLAZING BEAD (5/16" LAM. GLASS)	6063-T6	-
14A	E109	-	GLAZING BEAD (7/16" LAM. GLASS)	6063-T6	-
15	E615	-	GLAZING BEAD (INSUL. GLASS)	6063-T6	-
16	E616	-	SNAP COVER	6063-T6	-
17	E613	-	BOLT SUPPORT	6063-T6	NOT SHOWN
18	-	AS REQD.	SIDELITE MULLION REINFORCING	6063-T6	-
19	FD-107	3/ LEAF	BUTT HINGES	ALUMINUM	SULLIVAN & ASSOC.
20	FB1202	-	FLUSH BOLT LEVER	-	SULLIVAN & ASSOC.
21	FBR914SS	-	CONCEALED FLUSH BOLT ROD	ST STEEL	SULLIVAN & ASSOC.
22	#12 SMS	AS REQD.	FRAME ASSEMBLY SCREWS	-	-
23	#12 X 3/4"	-	HINGE INSTALLATION FASTENERS	-	FH SMS
24	-	-	3/8" DIA. THREADED ROD	STEEL	-
25	W11323	-	PILE W'STRIPPING	WOOL	ULTRAFAB
26	E20618-KN-3020	-	BULB W'STRIPPING	SANTOPRENE	EPDM
27	E206	-	GLAZING BEAD BULB	SANTOPRENE	ULTRAFAB
28	-	-	GLASS SPACER	SILICONE	FRANK LOWE RUBBER CO.
29	E622	-	FLUSH BOLT CUP	NYLON	-
30	DL01RC	-	BLACK BOLT SUPPORT BLOCK	POLYETHYLENE	INTERLOCK
31	DL01WB	-	WHITE BOLT SUPPORT BLOCK	POLYETHYLENE	ACME PLASTIC
33	#10 X 3/4"	2/ ADAPTER	FH SELF DRILLING SCREWS	-	-
34	-	2/ LITE	SETTING BLOCK, 1/4" X 1/2" X 4" LONG	EPDM	AT 6" FROM EACH END, DUROMETER 80±5
35	-	2/ LITE	SETTING BLOCK, 1/4" X 3/4" X 4" LONG	EPDM	AT 6" FROM EACH END, DUROMETER 80±5

SEALANTS:

ALL JOINTS AND FRAME CONNECTIONS SEALED WITH SCHNEE MOREHEAD JM5504 SEALANT.

PRODUCT REVIEWED
 as complying with the Florida
 Building Code
 Acceptance No. 18-1220.11
 Expiration Date 3/20/21
 By: *Shahid Chaudhry*
 Miami Dade Product Control

PRODUCT REVIEWED
 as complying with the Florida
 Building Code
 Acceptance No. 18-0319.13
 Expiration Date 3/20/19
 By: *Shahid Chaudhry*
 Miami Dade Product Control



af c
AL-FAROOQ CORPORATION
 ENGINEERS & PRODUCT DEVELOPMENT
 9360 SUNSET DRIVE, SUITE 220 (C.A.N. 3538)
 MIAMI, FLORIDA 33173
 TEL. (305) 264-8100 FAX. (305) 262-6978
 COMP-ANL\W12-08ECO

SERIES 600 ALUM OUTSWING ENTRANCE DOOR (L.M.I.)
ECO WINDOW SYSTEMS, LLC.
 8502 N.W. 80th STREET
 MEDLEY, FL. 33166
 TEL. (305) 885-5299 FAX (305) 885-5902

no	date	by	description
A	06.26.12		REV. PER PERA COMMENTS
B	06.02.15		UPDATED TO 2014 FBC
C	09.02.15		REV. PER RER COMMENTS
D	11.09.17		UPDATED TO 2017 FBC
E	03.15.18		NO CHANGE THIS SHEET

date: 02-13-12
 scale: 3/8" = 1"
 dr. by: TARIO
 chk. by:
 drawing no.
W12-08
 sheet 7 of 9

LOCKS:

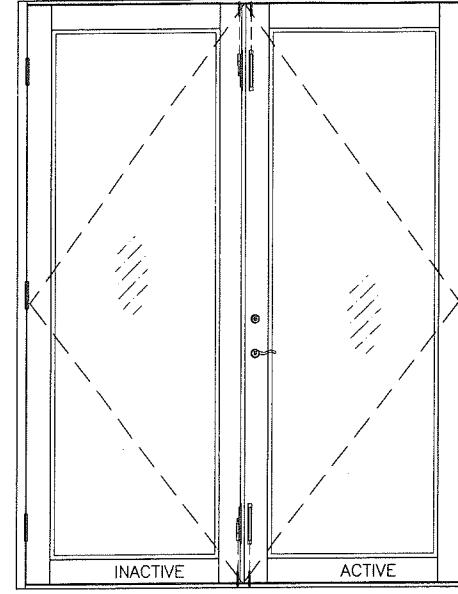
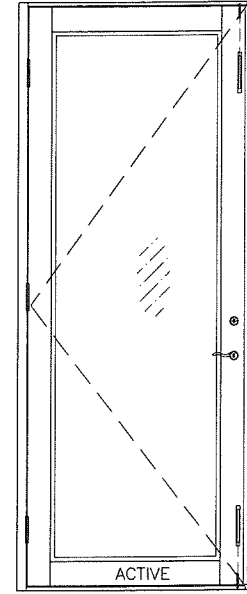
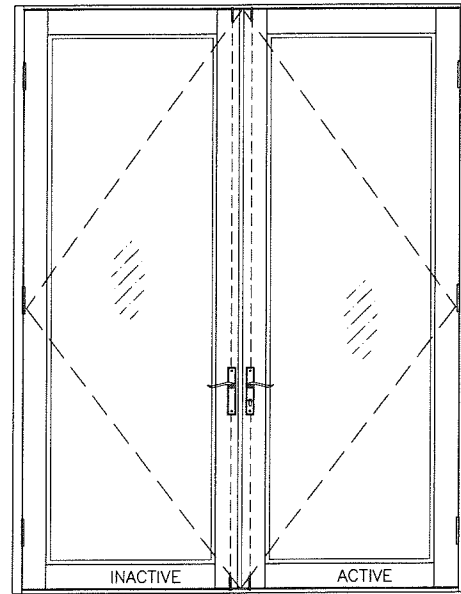
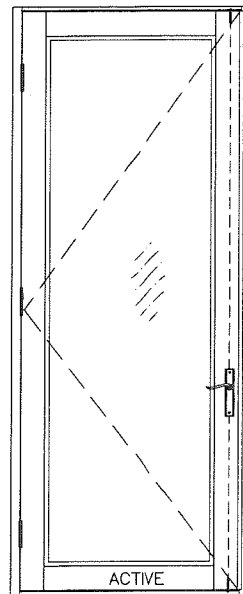
OPTION #1:

ACTIVE LEAF:

4 POINT LOCK ASSEMBLY DL01-6007 BY 'INTERLOCK USA INC.'
 (2) LOCKING POINTS ENGAGING AT INACTIVE LEAF AT STRIKE PLATE
 1/2" DIA. THROW BOLT (1) AT TOP ENGAGING FRAME HEAD
 AND (1) AT BOTTOM ENGAGING FRAME SILL
 THROW BOLTS ATTACHED TO LOCK BY 3/8" CONNECTING RODS
 LOCK HANDLE LOCATED AT 42-1/2" FROM BOTTOM

INACTIVE LEAF:

2 POINT LOCK ASSEMBLY BY 'INTERLOCK USA INC.'
 1/2" DIA. THROW BOLTS AT TOP AND BOTTOM ENGAGING FRAME
 HEAD AND FRAME SILL
 THROW BOLTS ATTACHED TO LOCK BY 3/8" CONNECTING RODS
 LOCK LOCATED AT 42-1/2" FROM BOTTOM



OPTION #2:

ACTIVE LEAF:

CONVENTIONAL DOOR LOCKSET WITH HANDLE
 DELTA 690 BY 'KWIKSET' LOCATED AT 39-1/4" FROM BOTTOM
 KEY OPERATED ON EXTERIOR AND THUMB TURN ON
 INTERIOR THROW BOLT LOCATED AT 44-3/4" FROM BOTTOM

CONCEALED FLUSH BOLTS BY 'SULLIVAN & ASSOC.'
 1/2" X 2" THROW BOLTS ENGAGING FRAME AT HEAD AND SILL
 MANUALLY OPERATED LEVERS MOUNTED ON STILE FACE
 LOCATED AT 10-5/8" FROM TOP AND BOTTOM
 LOCK FASTENED TO STILE WITH (2) #8-32 X 1/2" FH MS

INACTIVE LEAF:

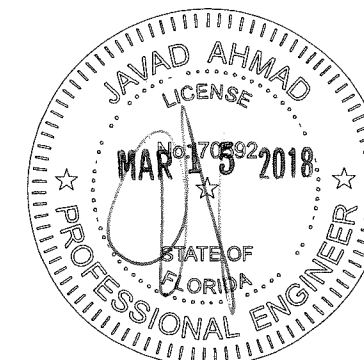
CONCEALED FLUSH BOLTS BY 'SULLIVAN & ASSOC.'
 1/2" X 2" THROW BOLTS ENGAGING FRAME AT HEAD AND SILL
 MANUALLY OPERATED LEVERS MOUNTED ON INSIDE FACE
 OF LEAF STILE LOCATED AT 10-5/8" FROM TOP AND BOTTOM
 LOCK FASTENED TO STILE WITH (2) #8-32 X 1/2" FH MS

HINGES:

3-1/2" X 7-5/8" X .122" THK. EXTRUDED ALUM HINGE
 PART #FD-107 BY SULLIVAN & ASSOC.
 3 HINGES PER LEAF
 BOTTOM HINGE AT 10-1/4" FROM BOTTOM
 TOP HINGE AT 11-3/4" FROM TOP
 CENTER HINGE AT MIDSPAN (38" O.C. MAX.)
 HINGES FASTENED WITH #10 X 1" FH SMS
 (5) SCREWS AT HINGE STILE
 (6) SCREWS AT FRAME JAMB

PRODUCT REVISED
 as complying with the Florida
 Building Code
 Acceptance No 18-1220.11
 Expiration Date 3/20/24
 By *Shay I. Chant*
 Miami Dade Product Control

PRODUCT REVISED
 as complying with the Florida
 Building Code
 Acceptance No 18-0319.19
 Expiration Date 3/20/19
 By *Shay I. Chant*
 Miami Dade Product Control



AL-FAROOQ CORPORATION
 ENGINEERS & PRODUCT DEVELOPMENT
 9360 SUNSET DRIVE, SUITE 220
 MIAMI, FLORIDA 33173 (C.A.N. 3538)
 TEL. (305) 264-8100 FAX. (305) 262-6978

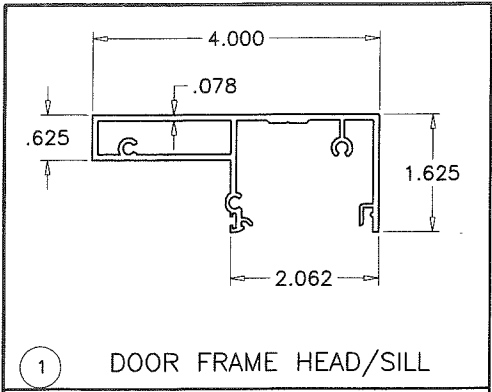
SERIES 600 ALUM OUTSWING ENTRANCE DOOR (L.M.I.)
ECO WINDOW SYSTEMS, LLC.
 8502 N.W. 80th STREET
 MEDLEY, FL. 33166
 TEL. (305) 885-5299 FAX (305) 885-5902

no	date	by	description
A	06.26.12	REV. PER PERA	COMMENTS
B	06.02.15	UPDATED TO 2014	FBC
C	09.02.15	REV. PER PER	COMMENTS
D	11.09.17	UPDATED TO 2017	FBC
E	03.15.18	NO CHANGE	THIS SHEET

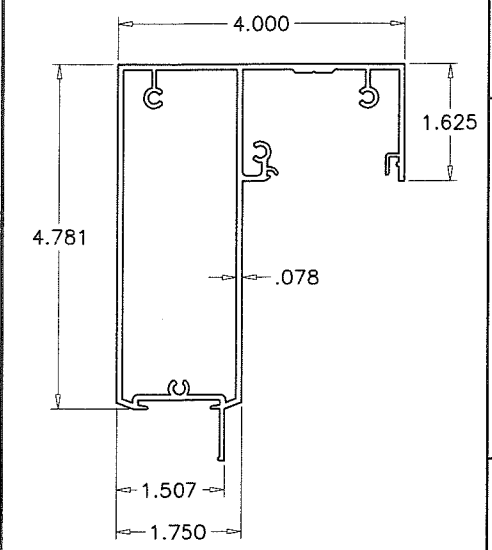
date: 02-13-12
 scale: 3/8" = 1"
 dr. by: TARIQ
 chk. by:

drawing no.
W12-08
 sheet 7.1 of 9

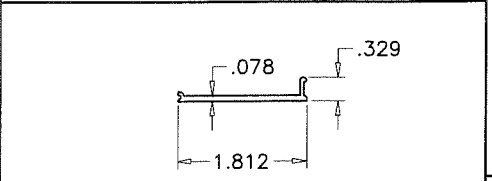
COMP-ANL\W12-08ECO



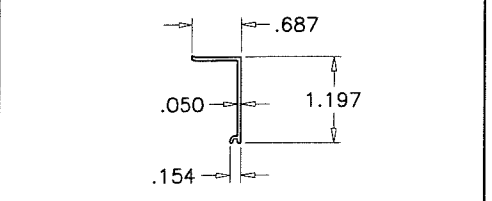
1 DOOR FRAME HEAD/SILL



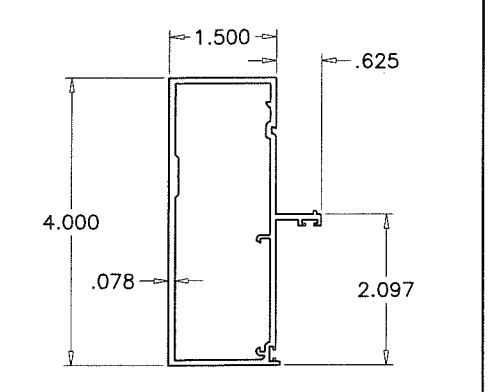
4 SIDELITE TOP & BOTTOM FRAME



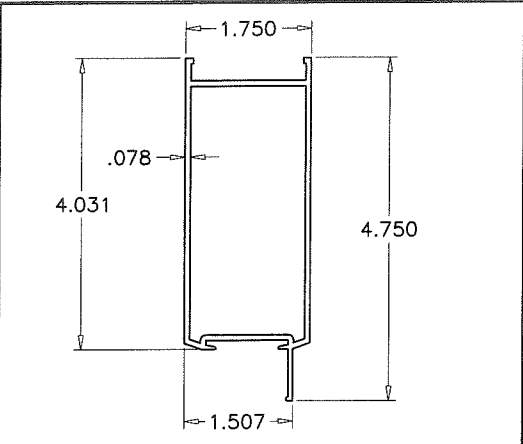
2 FRAME COVER



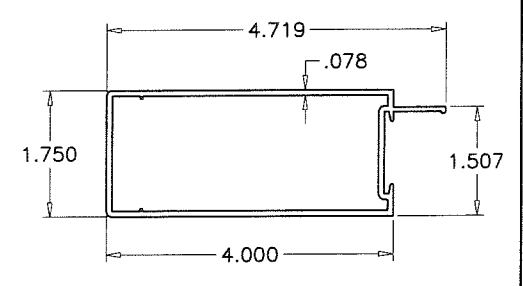
16 SNAP COVER



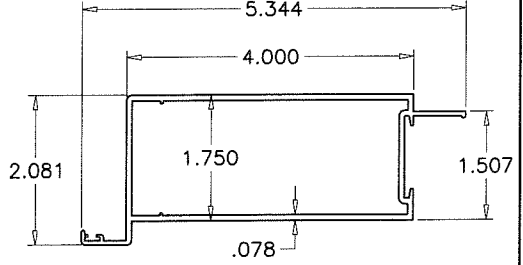
3 DOOR FRAME JAMB



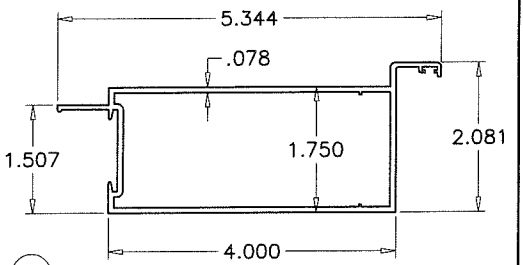
7 LEAF TOP/BOTTOM RAIL



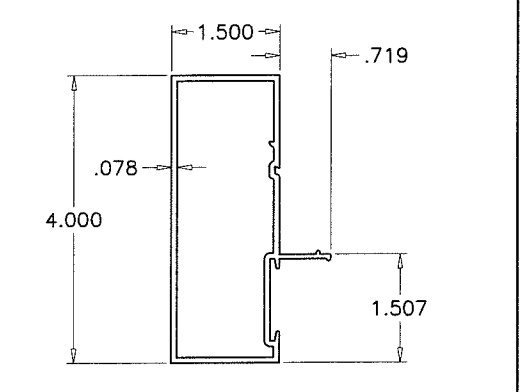
9 LEAF HINGE STILE



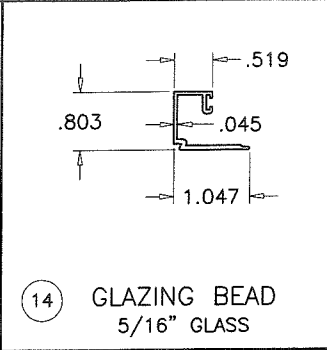
10 LEAF LOCK STILE



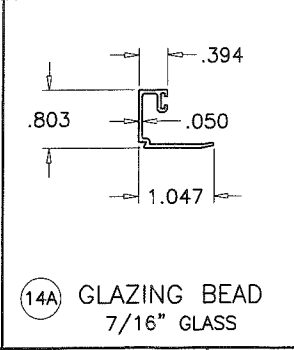
11 LEAF ASTRAGAL STILE



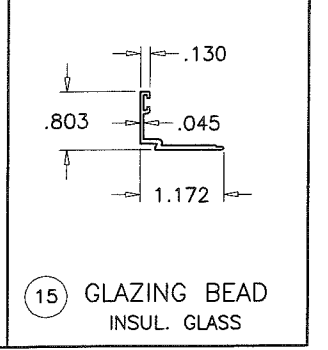
5 SIDELITE FRAME JAMB



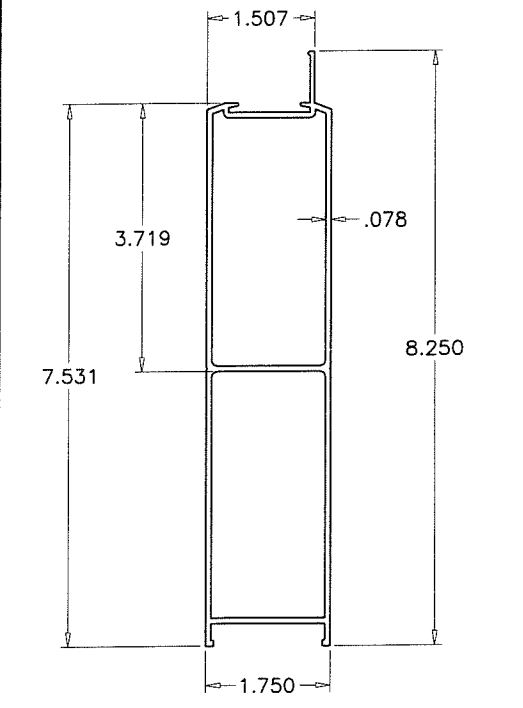
14 GLAZING BEAD 5/16" GLASS



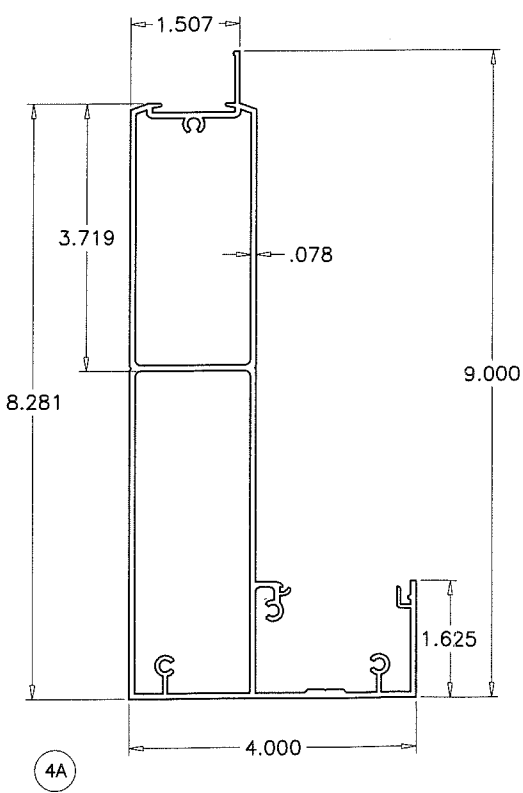
14A GLAZING BEAD 7/16" GLASS



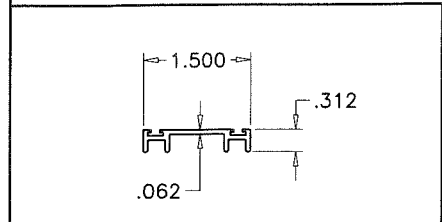
15 GLAZING BEAD INSUL. GLASS



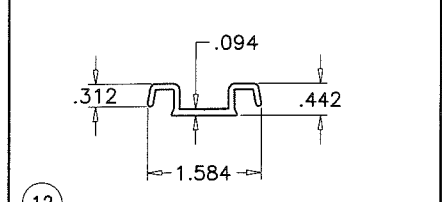
7A 9" BOTTOM RAIL



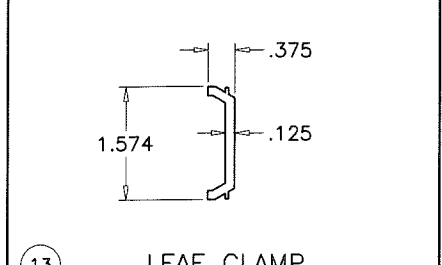
4A SIDELITE 9" BOTTOM FRAME



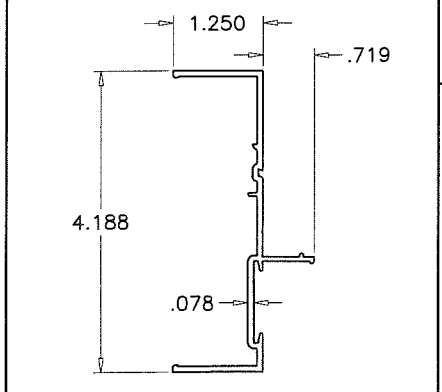
8 LEAF W'STRIP ADAPTER



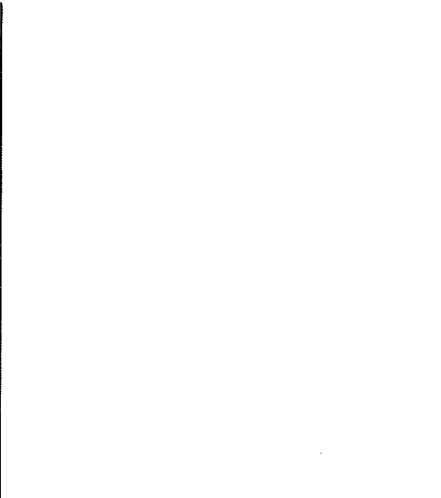
12 LEAF ALIGNMENT BRACKET



13 LEAF CLAMP HINGE BACK-UP PLATE

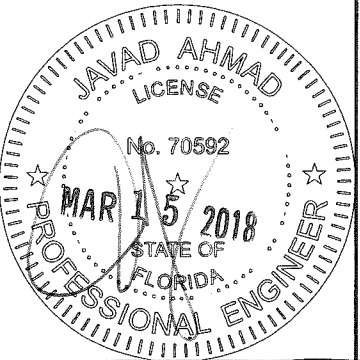


6 SIDELITE SLIP ON JAMB



18 SIDELITE MULLION REINFORCING

PRODUCT REVISED
 as complying with the Florida Building Code
 Acceptance No. 18-0319.13
 Expiration Date 3/20/19
 By: *Shag L. Chaudhary*
 Miami Dade Product Control



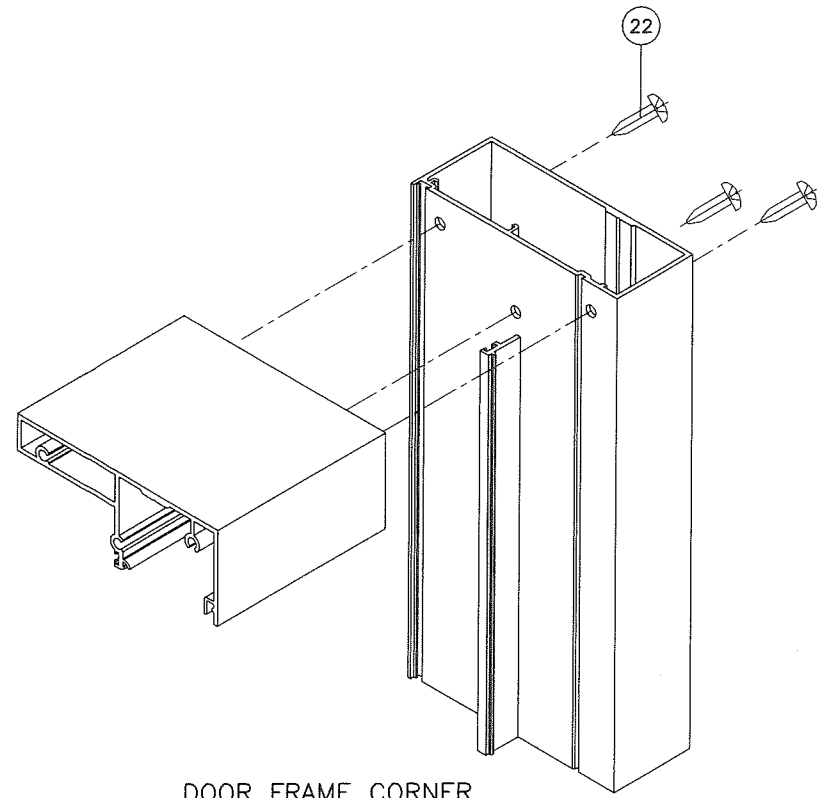
AL-FAROOQ CORPORATION
 ENGINEERS & PRODUCT DEVELOPMENT
 9360 SUNSET DRIVE, SUITE 220
 MIAMI, FLORIDA 33173
 TEL. (305) 264-8100 FAX. (305) 262-9978
 COMP-ANL W12-08ECO

SERIES 600 ALUM OUTSWING ENTRANCE DOOR (L.M.I.)
ECO WINDOW SYSTEMS, LLC.
 8502 N.W. 80th STREET
 MEDLEY, FL. 33166
 TEL. (305) 885-5299 FAX (305) 885-5902

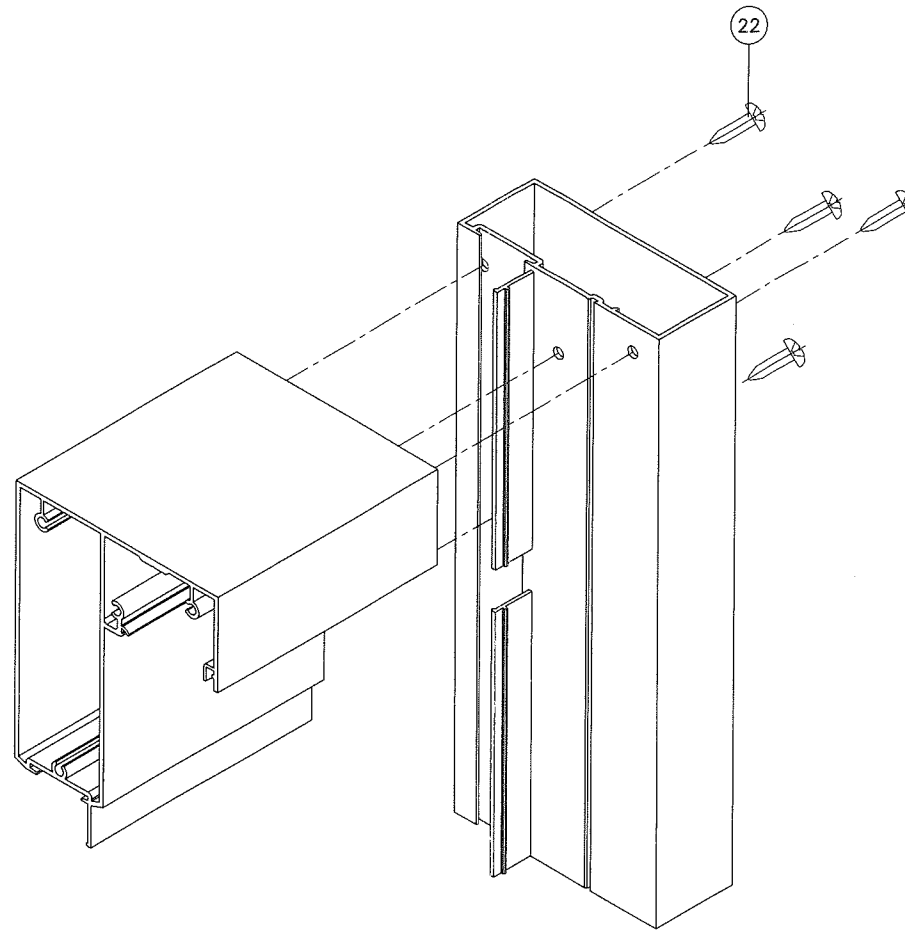
revisions:	no	date	by	description
	A	06.26.12		NO CHANGE THIS SHEET
	B	06.02.15		NO CHANGE THIS SHEET
	C	09.02.15		NO CHANGE THIS SHEET
	D	11.09.17		UPDATED TO 2017 FBC
	E	03.15.18		NO CHANGE THIS SHEET

date: 02-13-12
 scale: 3/8" = 1"
 dr. by: TARIQ
 chk. by:

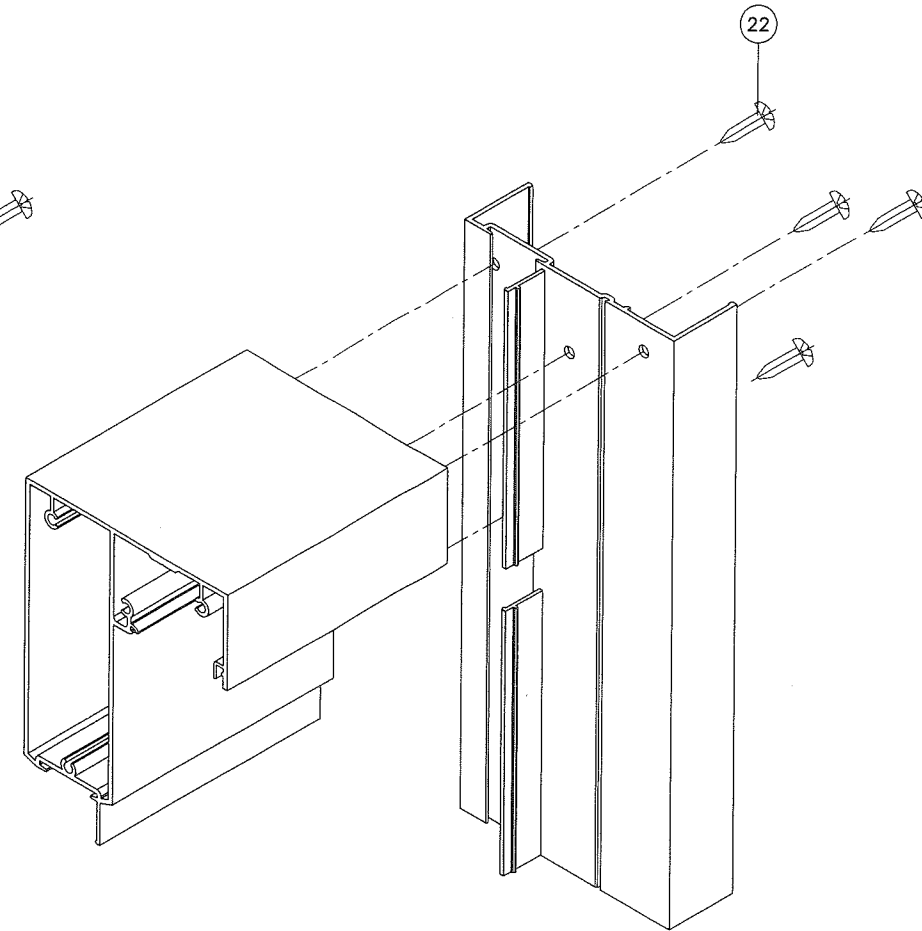
drawing no.
W12-08
 sheet 8 of 9



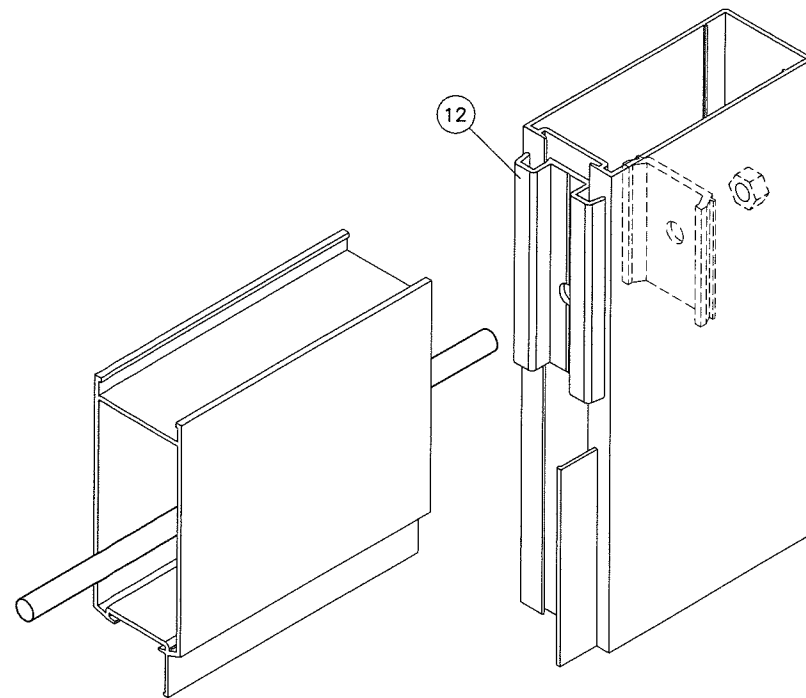
DOOR FRAME CORNER



SIDELITE FRAME CORNER



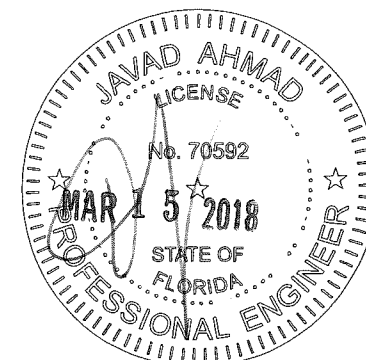
SIDELITE MULLION SLIP ON JAMB CORNER



LEAF CORNER

PRODUCT REVISED
 as complying with the Florida
 Building Code
 Acceptance No. 18-1220-11
 Expiration Date MAR 20, 2024
 By: Ishaq I. Khan
 Miami Based Product Control

PRODUCT REVISED
 as complying with the Florida
 Building Code
 Acceptance No. 18-0319-13
 Expiration Date MAR 20, 2019
 By: Ishaq I. Khan
 Miami Based Product Control



af c
AL-FAROOQ CORPORATION
 ENGINEERS & PRODUCT DEVELOPMENT
 9360 SUNSET DRIVE, SUITE 220 (C.A.N. 3538)
 MIAMI, FLORIDA 33173
 TEL. (305) 264-8100 FAX. (305) 262-6978
 COMP-ANL\W12-08ECO

SERIES 600 ALUM OUTSWING ENTRANCE DOOR (L.M.I.)
ECO WINDOW SYSTEMS, LLC.
 8502 N.W. 80th STREET
 MEDLEY, FL. 33166
 TEL. (305) 885-5299 FAX (305) 885-5902

no	date	by	description
A	06.26.12	REV. PER PERA COMMENTS	NO CHANGE THIS SHEET
B	06.02.15	REV. PER PER COMMENTS	UPDATED TO 2017 FBC
C	09.02.15	REV. PER PER COMMENTS	NO CHANGE THIS SHEET
D	11.09.17	REV. PER PER COMMENTS	NO CHANGE THIS SHEET
E	03.15.18	REV. PER PER COMMENTS	NO CHANGE THIS SHEET

date: 02-13-12
 scale: 3/8" = 1"
 dr. by: TARIQ
 chk. by:

drawing no.
W12-08
 sheet 9 of 9