



DEPARTMENT OF REGULATORY AND ECONOMIC RESOURCES (RER)  
BOARD AND CODE ADMINISTRATION DIVISION

MIAMI-DADE COUNTY  
PRODUCT CONTROL SECTION  
11805 SW 26 Street, Room 208  
Miami, Florida 33175-2474  
T (786) 315-2590 F (786) 315-2599

**NOTICE OF ACCEPTANCE (NOA)**

[www.miamidade.gov/building](http://www.miamidade.gov/building)

Eco Window Systems, LLC  
8502 NW 80 Street  
Medley, FL 33166

**SCOPE:**

This NOA is being issued under the applicable rules and regulations governing the use of construction materials. The documentation submitted has been reviewed and accepted by Miami-Dade County RER-Product Control Section to be used in Miami-Dade County and other areas where allowed by the Authority Having Jurisdiction (AHJ).

This NOA shall not be valid after the expiration date stated below. The Miami-Dade County Product Control Section (In Miami-Dade County) and/ or the AHJ (in areas other than Miami-Dade County) reserve the right to have this product or material tested for quality assurance purposes. If this product or material fails to perform in the accepted manner, the manufacturer will incur the expense of such testing and the AHJ may immediately revoke, modify, or suspend the use of such product or material within their jurisdiction. RER reserves the right to revoke this acceptance if it is determined by Miami-Dade County Product Control Section that this product or material fails to meet the requirements of the applicable building code.

This product is approved as described herein and has been designed to comply with the Florida Building Code, including the High Velocity Hurricane Zone.

**DESCRIPTION: Series “250” Aluminum Horizontal Rolling Window – S.M.I.**

**APPROVAL DOCUMENT:** Drawing No. **18-52D**, titled “Series-250 Alum. Horiz. Rolling Wdw. (S.M.I.)” sheets 1, 1.1, 2 and 3 through 6 of 6, dated 04/26/18, with revision C dated 07/15/20, prepared by Al-Farooq Corporation, signed and sealed by Jalal Farooq, P.E., bearing the Miami-Dade County Product Control Revision stamp with the Notice of Acceptance number and expiration date by the Miami-Dade County Product Control Section.

**MISSILE IMPACT RATING: Small Missile Impact Resistant**

**LABELING:** Each unit shall bear a permanent label with the manufacturer's name or logo, city, state, model/series, and following statement: "Miami-Dade County Product Control Approved", unless otherwise noted herein.

**RENEWAL** of this NOA shall be considered after a renewal application has been filed and there has been no change in the applicable building code negatively affecting the performance of this product.

**TERMINATION** of this NOA will occur after the expiration date or if there has been a revision or change in the materials, use, and/ or manufacture of the product or process. Misuse of this NOA as an endorsement of any product, for sales, advertising or any other purposes shall automatically terminate this NOA. Failure to comply with any section of this NOA shall be cause for termination and removal of NOA.

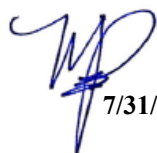
**ADVERTISEMENT:** The NOA number preceded by the words Miami-Dade County, Florida, and followed by the expiration date may be displayed in advertising literature. If any portion of the NOA is displayed, then it shall be done in its entirety.

**INSPECTION:** A copy of this entire NOA shall be provided to the user by the manufacturer or its distributors and shall be available for inspection at the job site at the request of the Building Official.

This NOA **revises NOA No. 18-0516.03** and consists of this page 1 and evidence pages E-1, E-2 and E-3, as well as approval document mentioned above.

The submitted documentation was reviewed by **Manuel Perez, P.E.**



  
7/31/20

**NOA No. 20-0427.10**  
**Expiration Date: August 30, 2023**  
**Approval Date: August 20, 2020**

**NOTICE OF ACCEPTANCE: EVIDENCE SUBMITTED**

**1. EVIDENCE SUBMITTED UNDER PREVIOUS NOA's**

**A. DRAWINGS**

1. Manufacturer's die drawings and sections.  
*(Submitted under NOA No. 18-0516.03)*
2. Drawing No **18-52D**, titled "Series-250 Alum. Horiz. Rolling Wdw. (S.M.I.)", sheets 1 through 6 of 6, dated 04/26/18, with revision A dated 06/27/18, prepared by Al-Farooq Corporation, signed and sealed by Javad Ahmad, P.E.  
*(Submitted under NOA No. 18-0516.03)*

**B. TESTS**

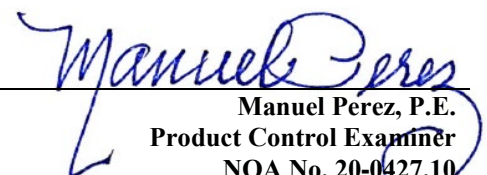
1. Test reports on: 1) Air Infiltration Test, per FBC, TAS 202-94  
2) Uniform Static Air Pressure Test, Loading per FBC TAS 202-94  
3) Water Resistance Test, per FBC, TAS 202-94  
4) Small Missile Impact Test per FBC, TAS 201-94  
5) Large Missile Impact Test per FBC, TAS 201-94  
6) Cyclic Wind Pressure Loading per FBC, TAS 203-94  
7) Forced Entry Test, per FBC 2411.3.2.1, and TAS 202-94  
along with marked-up drawings and installation diagram of a series 250 aluminum horizontal sliding window, prepared by Fenestration Testing Laboratory, Inc., Test Report No. **FTL-9830**, dated 10/24/17, with addendum letter dated 06/15/18, signed and sealed by Idalmis Ortega, P.E.  
*(Submitted under NOA No. 18-0516.03)*

**C. CALCULATIONS**

1. Anchor verification calculations and structural analysis, complying with **FBC 6<sup>th</sup> Edition (2017)**, dated 04/26/18, prepared by Al-Farooq Corporation, signed and sealed by Javad Ahmad, P.E.  
*(Submitted under NOA No. 18-0516.03)*
2. Glazing complies with **ASTM E1300-09**

**D. QUALITY ASSURANCE**

1. Miami-Dade Department of Regulatory and Economic Resources (RER)

  
Manuel Perez, P.E.  
Product Control Examiner  
NOA No. 20-0427.10  
Expiration Date: August 30, 2023  
Approval Date: August 20, 2020

**Eco Window Systems, LLC.**

**NOTICE OF ACCEPTANCE: EVIDENCE SUBMITTED**

**1. EVIDENCE SUBMITTED UNDER PREVIOUS NOA's (CONTINUED)**

**E. MATERIAL CERTIFICATIONS**

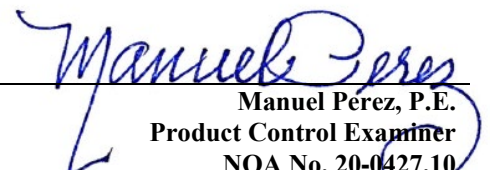
1. Notice of Acceptance No. **17-1114.14** issued to **Kuraray America, Inc.** for their "Trosifol® Ultraclear, Clear and Color PVB Glass Interlayers" dated 01/18/18, expiring on 07/08/19.

**F. STATEMENTS**

1. Statement letter of conformance, complying with **FBC 6<sup>th</sup> Edition (2017)**, and of no financial interest, dated April 26, 2018, prepared by Al-Farooq Corporation, signed and sealed by Javad Ahmad, P.E.  
*(Submitted under NOA No. 18-0516.03)*
2. Proposal No. **17-0420** issued by the Product Control Section, dated June 9, 2017, signed by Manuel Perez, P.E.  
*(Submitted under NOA No. 18-0516.03)*

**G. OTHERS**

1. None.



Manuel Perez, P.E.  
Product Control Examiner  
NOA No. 20-0427.10  
Expiration Date: August 30, 2023  
Approval Date: August 20, 2020

**Eco Window Systems, LLC.**

**NOTICE OF ACCEPTANCE: EVIDENCE SUBMITTED**

**2. NEW EVIDENCE SUBMITTED**

**A. DRAWINGS**

1. Drawing No **18-52D**, titled “Series-250 Alum. Horiz. Rolling Wdw. (S.M.I.)”, sheets 1, 1.1, 2 and 3 through 6 of 6, dated 04/26/18, with revision C dated 07/15/20, prepared by Al-Farooq Corporation, signed and sealed by Jalal Farooq, P.E.

**B. TESTS**

1. Test reports on: 1) Air Infiltration Test, per FBC, TAS 202-94  
2) Uniform Static Air Pressure Test, Loading per FBC TAS 202-94  
3) Water Resistance Test, per FBC, TAS 202-94  
4) Small Missile Impact Test per FBC, TAS 201-94  
5) Cyclic Wind Pressure Loading per FBC, TAS 203-94  
6) Forced Entry Test, per FBC 2411.3.2.1, and TAS 202-94  
along with marked-up drawings and installation diagram of a series 250 aluminum horizontal rolling window, prepared by Fenestration Testing Laboratory, Inc., Test Report No. **FTL-10967**, dated 01/28/20, signed and sealed by Idalmis Ortega, P.E.

**C. CALCULATIONS**

1. Anchor verification calculations and structural analysis, complying with **FBC 6<sup>th</sup> Edition (2017)** dated 02/14/20, and revised on 04/22/20 to comply with **FBC 7<sup>th</sup> Edition (2020)**, prepared by Al-Farooq Corporation, signed and sealed by Jalal Farooq, P.E.

**D. QUALITY ASSURANCE**

1. Miami-Dade Department of Regulatory and Economic Resources (RER)

**E. MATERIAL CERTIFICATIONS**

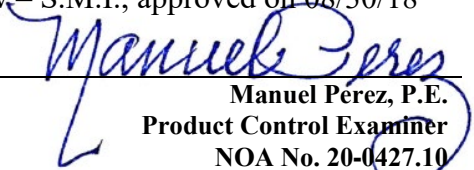
1. Notice of Acceptance No. **19-0305.02** issued to **Kuraray America, Inc.** for their “**Trosifol® Ultraclear, Clear and Color PVB Glass Interlayers**” dated 05/09/19, expiring on 07/08/24.

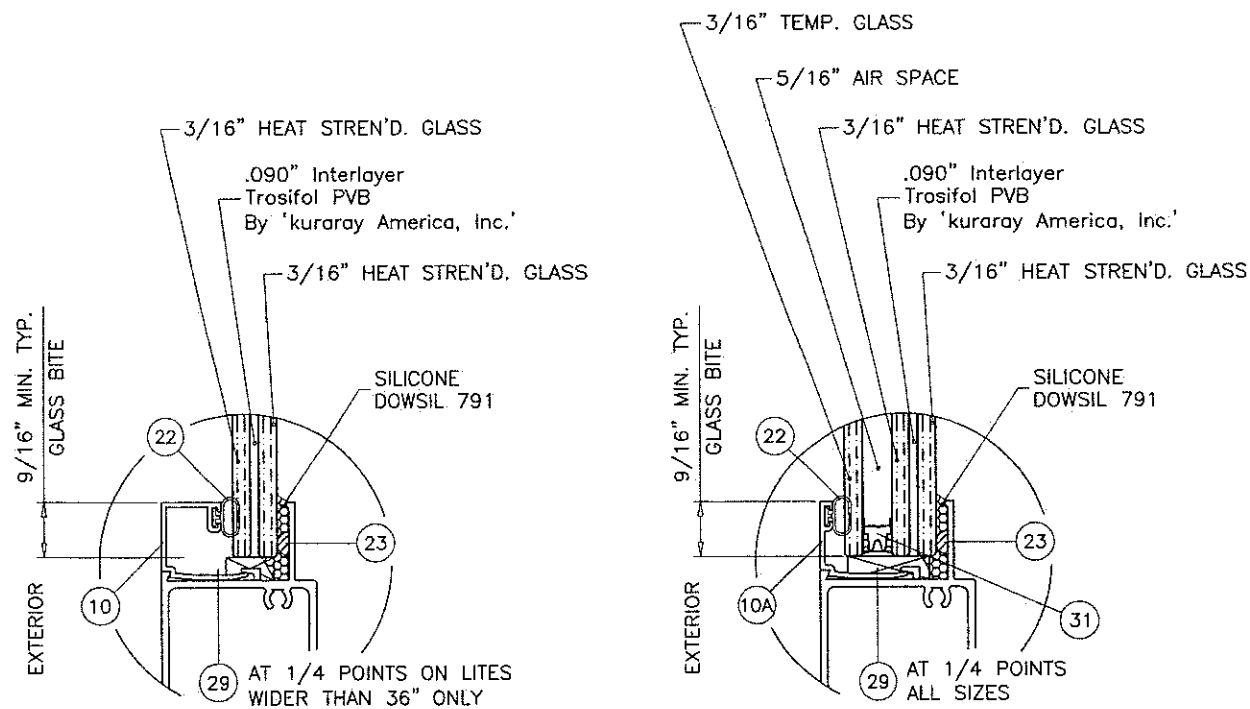
**F. STATEMENTS**

1. Statement letter of conformance, complying with **FBC 6<sup>th</sup> Edition (2017)** and **FBC 7<sup>th</sup> Edition (2020)** and of no financial interest, dated July 15, 2020, issued by Al-Farooq Corporation, signed and sealed by Jalal Farooq, P.E.

**G. OTHERS**

1. Notice of Acceptance No. **18-0516.03**, issued to Eco Window Systems, LLC, for their Series “250” Aluminum Horizontal Rolling Window – S.M.I., approved on 08/30/18 and expiring on 08/30/23.

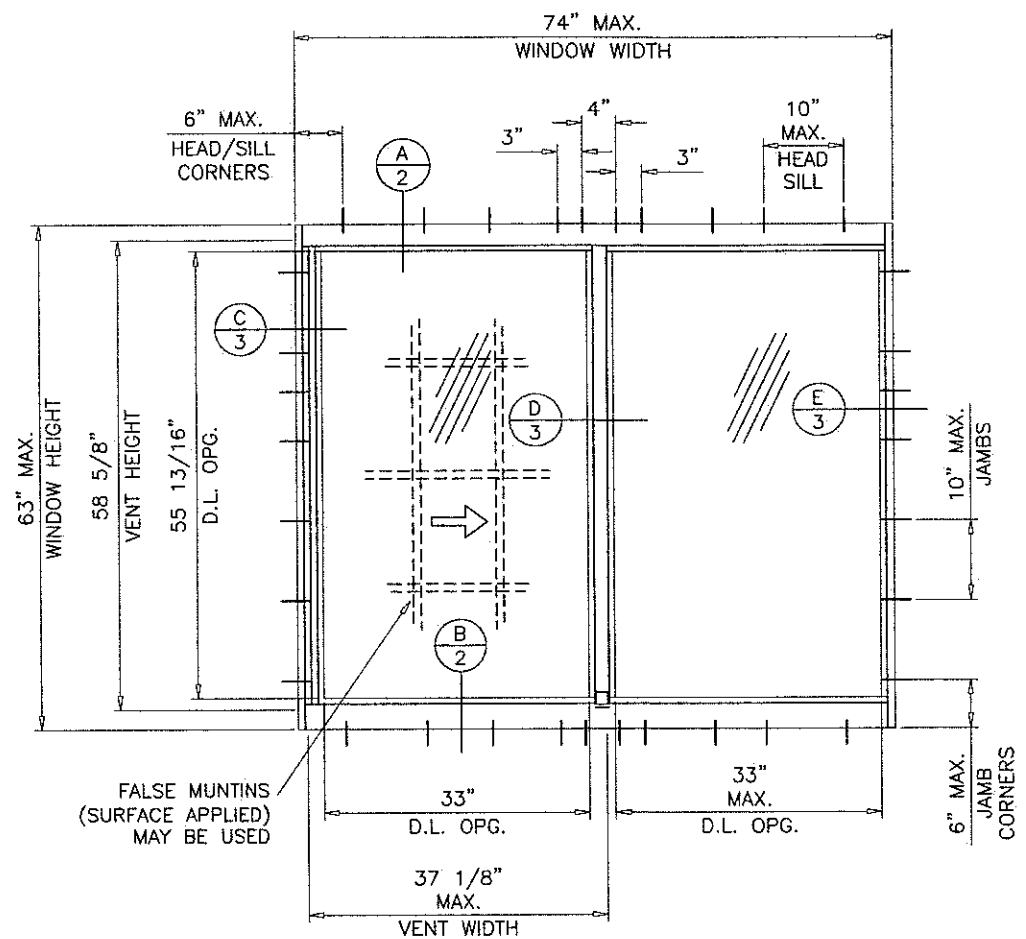
  
Manuel Perez, P.E.  
Product Control Examiner  
NOA No. 20-0427.10  
Expiration Date: August 30, 2023  
Approval Date: August 20, 2020



**GLASS TYPE 'A'**  
7/16" OVERALL LAM. GLASS

**GLASS TYPE 'Ai'**  
15/16" OVERALL INSUL. LAM. GLASS

**GLAZING OPTIONS**



**TYPICAL ELEVATION**

**GLASS TYPES 'A' & 'Ai'**  
**MAXIMUM DESIGN LOAD RATING = + 80.0 PSF**  
 (FOR SIZES SHOWN ABOVE OR SMALLER) - 135.0 PSF

INSTALLATIONS WHERE WATER INFILTRATION RESISTANCE IS NOT REQUIRED  
 USE ABOVE LOADS FOR WINDOWS WITHOUT ADD-ON RISER.

INSTALLATIONS WHERE WATER INFILTRATION RESISTANCE IS REQUIRED  
 USE ADD-ON RISER FOR ABOVE LOADS.  
 OR

LIMIT MAX. EXTERIOR(+) LOADS TO +60.0 PSF FOR WINDOWS WITHOUT RISER.

SEE SHEET 2 FOR DETAIL.

THESE WINDOWS ARE RATED FOR SMALL MISSILE IMPACT.  
 MIAMI-DADE COUNTY APPROVED IMPACT RESISTANT SHUTTERS REQUIRED  
 FOR INSTALLATIONS UP TO 30 FT. OF GRADE.  
 SHUTTERS NOT REQD. FOR INSTALLATIONS ABOVE 30 FT. OF GRADE.

**LAMINATED GLASS**  
**INSUL. LAM. GLASS**  
**SMALL MISSILE IMPACT**

**SERIES-250 (S.M.I.)**  
**ALUMINUM HORIZONTAL ROLLING WINDOW**

APPROVAL APPLIES TO SINGLE UNITS OR SIDE BY SIDE  
 COMBINATIONS OF H.R./H.R. OR HORIZONTAL ROLLING WITH OTHER  
 WINDOW TYPES IN MODULES OF TWO OR MORE WINDOWS USING  
 MIAMI-DADE COUNTY APPROVED MULLIONS IN BETWEEN.

LOWER DESIGN PRESSURE FROM WINDOWS OR MULLION APPROVAL  
 WILL APPLY TO ENTIRE SYSTEM.

THIS PRODUCT HAS BEEN DESIGNED AND TESTED TO COMPLY WITH THE  
 REQUIREMENTS OF THE 2017 (6TH EDITION)/2020 (7TH EDITION) FLORIDA  
 BUILDING CODE INCLUDING HIGH VELOCITY HURRICANE ZONE (HVHZ).

1BY OR 2BY WOOD BUCKS & BUCK FASTENERS BY OTHERS, MUST BE  
 DESIGNED AND INSTALLED ADEQUATELY TO TRANSFER APPLIED PRODUCT LOADS  
 TO THE BUILDING STRUCTURE.

ANCHORS SHALL BE CORROSION RESISTANT, SPACED AS SHOWN ON DETAILS  
 AND INSTALLED PER MANUF'S INSTRUCTIONS. SPECIFIED EMBEDMENT TO BASE  
 MATERIAL SHALL BE BEYOND WALL DRESSING OR STUCCO.

A LOAD DURATION INCREASE IS USED IN DESIGN OF ANCHORS INTO WOOD ONLY.

ALL SHIMS TO BE HIGH IMPACT, NON-METALLIC AND NON-COMPRESSIBLE.

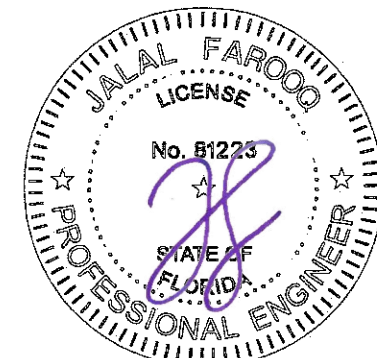
MATERIALS INCLUDING BUT NOT LIMITED TO STEEL/METAL SCREWS, THAT  
 COME INTO CONTACT WITH OTHER DISSIMILAR MATERIALS SHALL MEET THE  
 REQUIREMENTS OF THE 2017/2020 FLORIDA BLDG. CODE & ADOPTED STANDARDS.

THIS PRODUCT APPROVAL IS GENERIC AND DOES NOT PROVIDE INFORMATION  
 FOR A SITE SPECIFIC PROJECT, I.E. LIFE SAFETY OF THIS PRODUCT, ADEQUACY  
 OF STRUCTURE RECEIVING THIS PRODUCT AND SEALING AROUND OPENING FOR  
 WATER INFILTRATION RESISTANCE ETC.

CONDITIONS NOT SHOWN IN THIS DRAWING ARE TO BE ANALYZED SEPARATELY,  
 AND TO BE REVIEWED BY BUILDING OFFICIAL.

DESIGN LOADS SHOWN ARE BASED ON 'ALLOWABLE STRESS DESIGN (ASD)'.

**PRODUCT REVISED**  
 as complying with the Florida  
 Building Code  
**NOA-No. 20-0427.10**  
**Expiration Date: 08/30/2023**  
 By: *Manuel Perez*  
 Miami-Dade Product Control



Sealed: 7/20/2020

**af c**  
**AL-FAROOQ CORPORATION**  
 ENGINEERS & PRODUCT DEVELOPMENT  
 9360 SUNSET DRIVE, SUITE 220  
 MIAMI, FLORIDA 33173 (C.A.N. 3538)  
 TEL. (305) 264-8100 FAX. (305) 262-6978  
 COMP-ANL 18-52D-ECO

SERIES-250 ALUM. HORIZ. ROLLING WDW. (S.M.I.)  
**ECO WINDOW SYSTEMS, LLC.**  
 8502 N.W. 80th STREET  
 MEDLEY, FL. 33166  
 TEL. (305) 885-5299 FAX (305) 885-5902

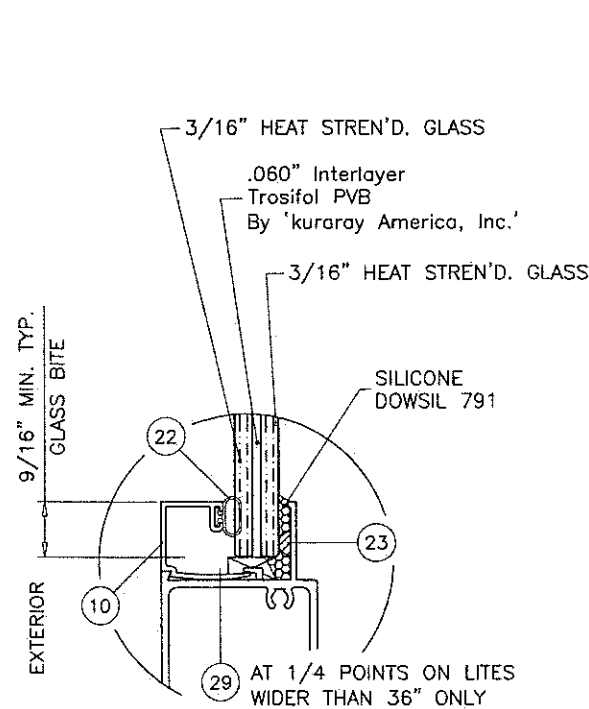
no.	date	description	by
A	06.27.18	REV. PER RER COMMENTS	
B	02.19.20	NO CHANGE THIS SHEET	
C	07.15.20	REV. PER RER COMMENTS	

revisions:

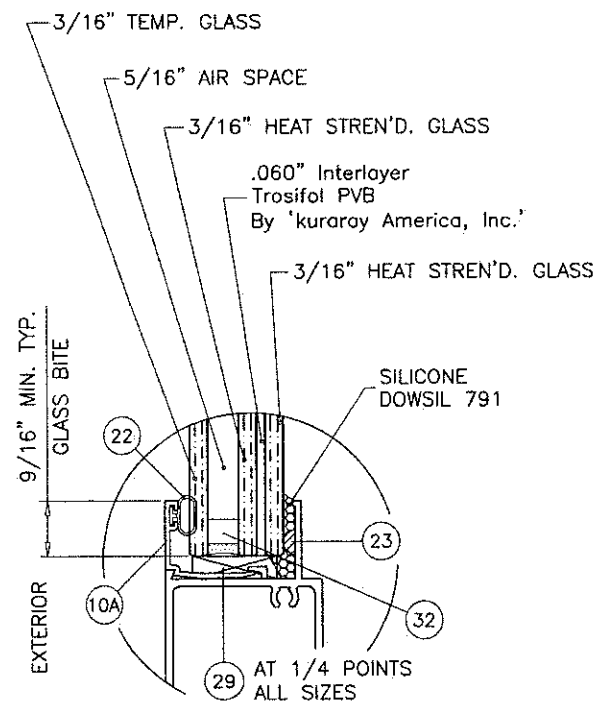
date: 04-26-18  
 scale: 1/2" = 1"  
 dr. by: TARIQ  
 chk. by:

drawing no.  
**18-52D**

sheet 1 of 6

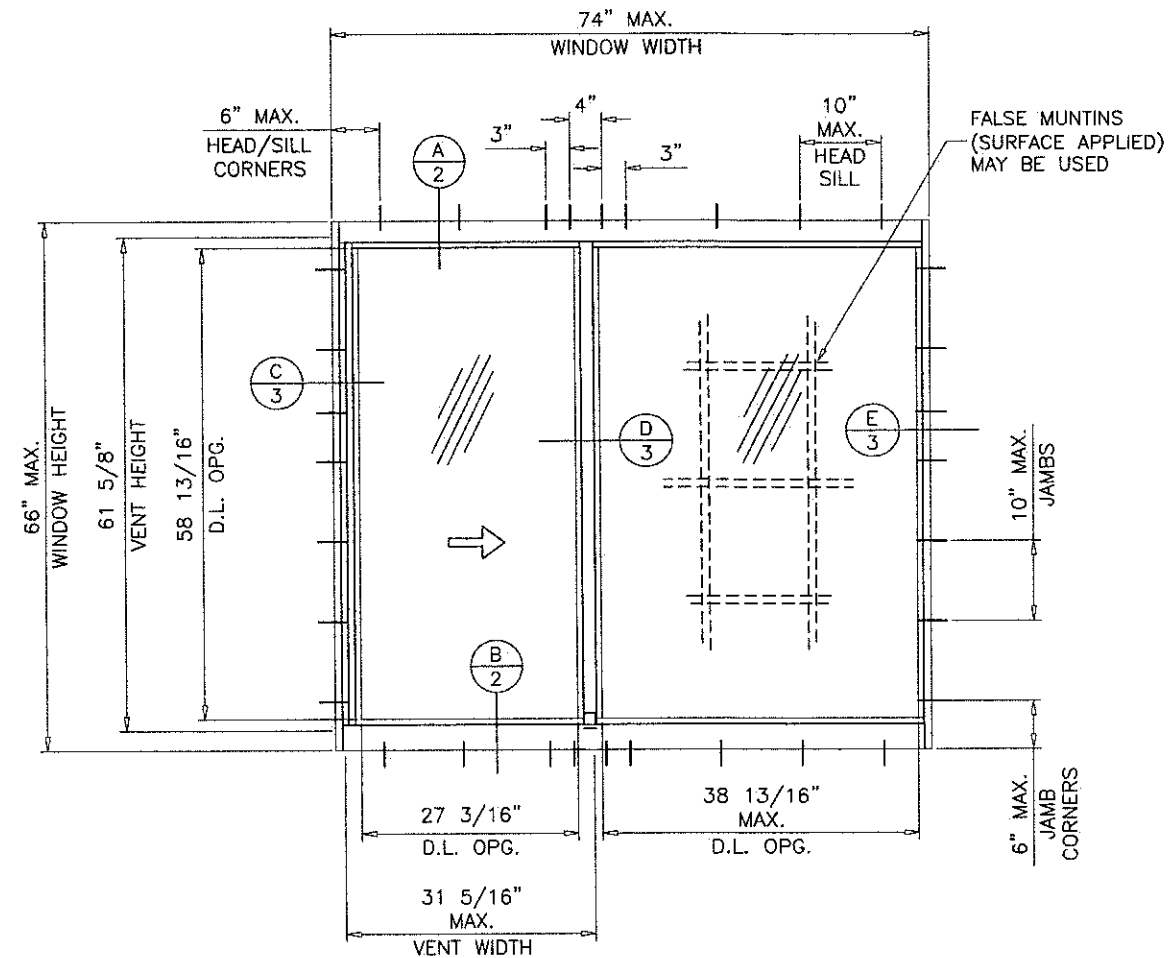


**GLASS TYPE 'B'**  
7/16" OVERALL LAM. GLASS



**GLASS TYPE 'Bi'**  
15/16" OVERALL INSUL. LAM. GLASS

GLAZING OPTIONS



TYPICAL ELEVATION

**GLASS TYPES 'B' & 'Bi'**  
 MAXIMUM DESIGN LOAD RATING = + 80.0 PSF  
 (FOR SIZES SHOWN ABOVE OR SMALLER) - 130.0 PSF

INSTALLATIONS WHERE WATER INFILTRATION RESISTANCE IS NOT REQUIRED  
 USE ABOVE LOADS FOR WINDOWS WITHOUT ADD-ON RISER.

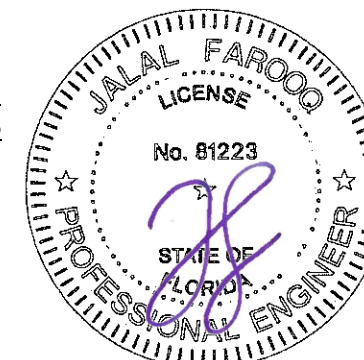
INSTALLATIONS WHERE WATER INFILTRATION RESISTANCE IS REQUIRED  
 USE ADD-ON RISER FOR ABOVE LOADS.  
 OR

LIMIT MAX. EXTERIOR(+) LOADS TO +73.3 PSF FOR WINDOWS WITHOUT RISER.

SEE SHEET 2 FOR DETAIL.

**PRODUCT REVISED**  
 as complying with the Florida  
 Building Code  
 NOA-No. **20-0427.10**  
 Expiration Date: **08/30/2023**  
 By: *Manuel Perez*  
 Miami-Dade Product Control

Sealed: 7/20/2020



**afcc**  
**AL-FAROOQ CORPORATION**  
 ENGINEERS & PRODUCT DEVELOPMENT  
 9360 SUNSET DRIVE, SUITE 220  
 MIAMI, FLORIDA 33173 (C.A.N. 3538)  
 TEL. (305) 264-8100 FAX. (305) 262-6978  
 COMP-ANL \ 18-52D-ECO

SERIES-250 ALUM HORIZ. ROLLING WDW. (S.M.I.)  
**ECO WINDOW SYSTEMS, LLC.**  
 8502 N.W. 80th STREET  
 MEDLEY, FL. 33166  
 TEL. (305) 885-5299 FAX (305) 885-5902

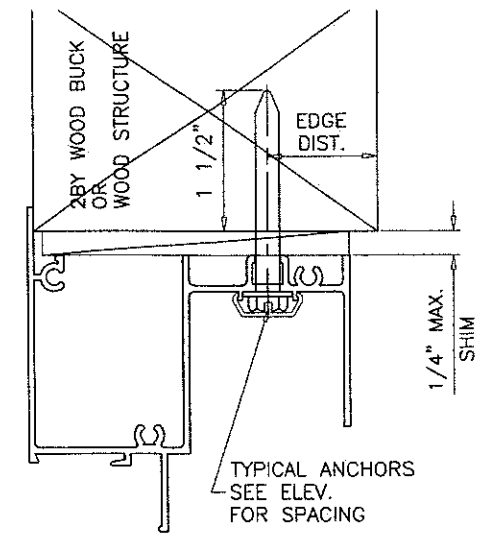
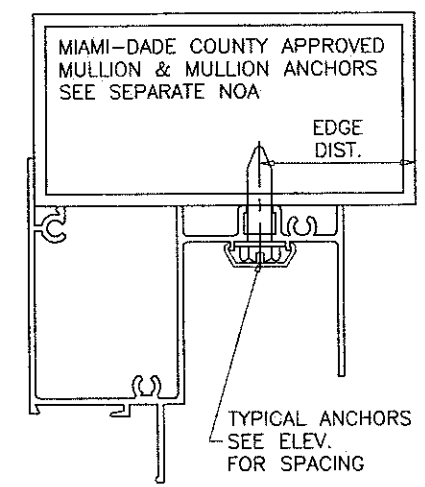
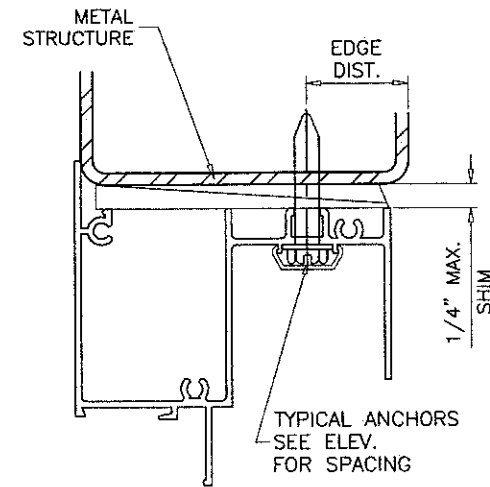
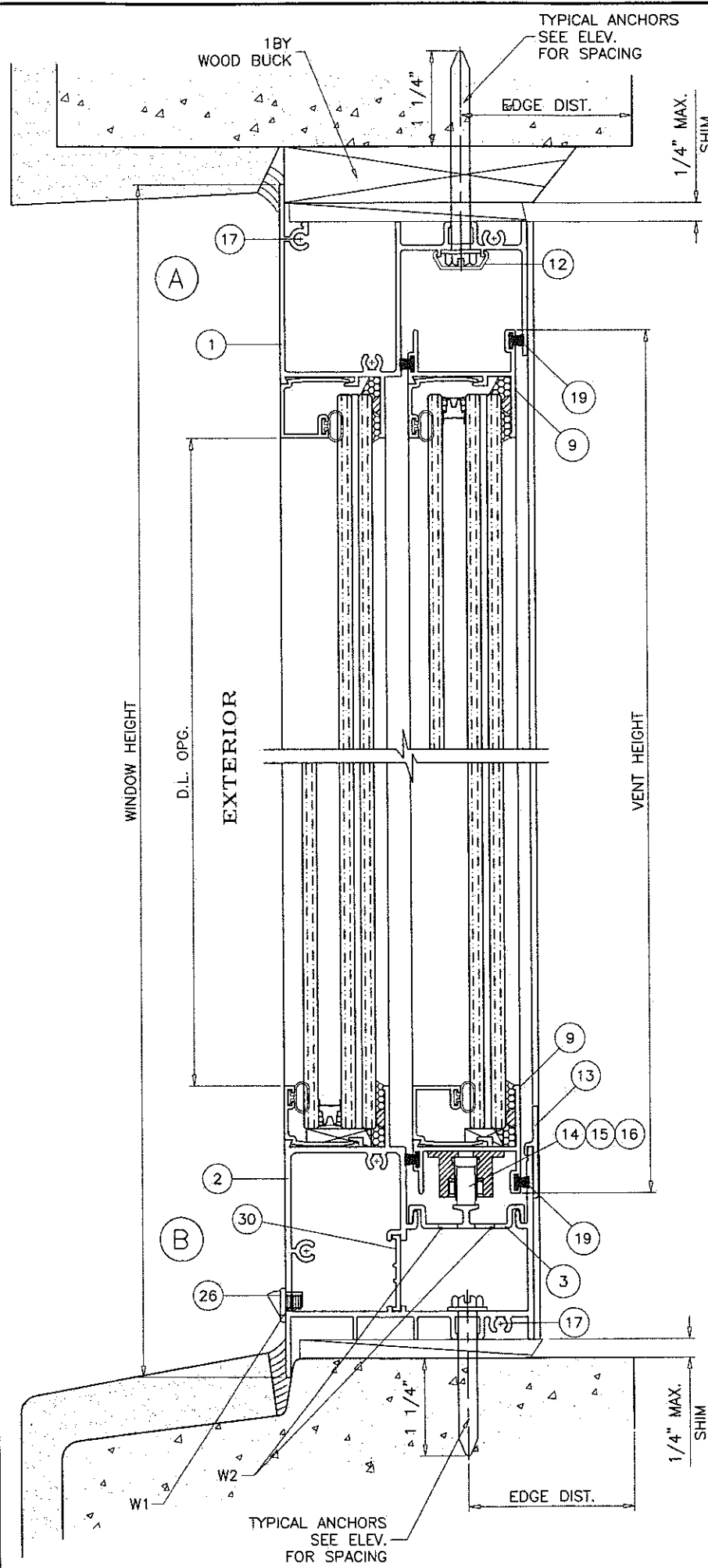
revisions:	
no	date by description
B	02.19.20 NEW TESTS ADDED
C	07.15.20 REV. PER RER COMMENTS

date:	04-26-18
scale:	1/2" = 1"
dr. by:	TARIQ
chk. by:	

drawing no.	18-52D
sheet	1 of 6



**WEEPHOLES:**

- W1 = 1/4" X 2-1/4" WEEPHOLES WITH BAFFLE AT 4" FROM EACH END
- W2 = (3) 1/4" DIA. WEEPHOLES AT 1/2" O.C. AT CENTER OF EACH LITE

WOOD BUCKS AND METAL STRUCTURE NOT BY 'ECO WDW.' MUST SUSTAIN LOADS IMPOSED BY GLAZING SYSTEM AND TRANSFER THEM TO THE BUILDING STRUCTURE.

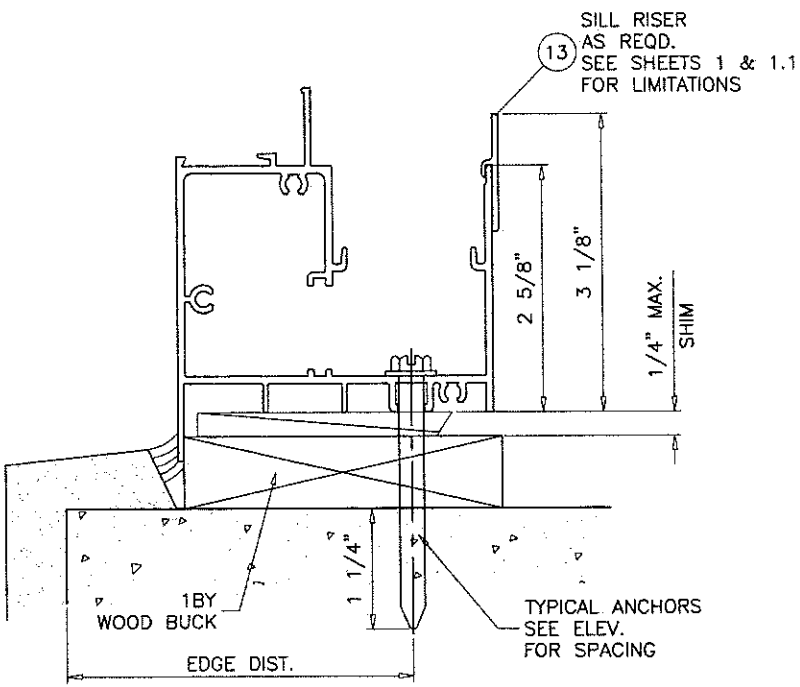
**TYPICAL ANCHORS:** SEE ELEV. FOR SPACING

- 1/4" DIA. ULTRACON+ BY 'DEWALT' (Fu=164 KSI, Fy=148 KSI) INTO 2BY WOOD BUCKS OR WOOD STRUCTURES 1-1/2" MIN. PENETRATION INTO WOOD (HEAD/SILL/JAMBS) THRU 1BY BUCKS INTO CONC. OR BLOCKS 1-1/4" MIN. EMBED INTO CONCRETE (HEAD/SILL/JAMBS) 1-1/4" MIN. EMBED INTO BLOCKS (JAMBS) DIRECTLY INTO CONCRETE OR BLOCKS 1-1/4" MIN. EMBED INTO CONCRETE (HEAD/SILL/JAMBS) 1-1/4" MIN. EMBED INTO BLOCKS (JAMBS)

#14 SMS OR SELF DRILLING SCREWS (GRADE 2 CRS) INTO MIAMI-DADE COUNTY APPROVED MULLIONS OR INTO METAL STRUCTURES (HEAD/SILL/JAMBS) (3) THREADS MIN. TO EXTEND BEYOND METAL THICKNESS ALUMINUM: 1/8" THK. MIN. (6063-T5 MIN.) STEEL: 1/8" THK. MIN. (Fy = 36 KSI MIN.) (STEEL IN CONTACT WITH ALUMINUM TO BE PLATED OR PAINTED)

**TYPICAL EDGE DISTANCE**  
 INTO CONCRETE AND BLOCKS = 2-1/2" MIN.  
 INTO WOOD STRUCTURE = 1" MIN.  
 INTO METAL STRUCTURE = 3/4" MIN.

WOOD AT HEAD, SILL OR JAMBS SG = 0.55 MIN.  
 CONCRETE AT HEAD, SILL OR JAMBS f'c = 3000 PSI MIN.  
 C-90 HOLLOW/FILLED BLOCK AT JAMBS f'm = 2000 PSI MIN.



**PRODUCT REVISED**  
 as complying with the Florida Building Code  
 NOA-No. **20-0427.10**  
 Expiration Date: **08/30/2023**  
 By: *Manuel Torres*  
 Miami-Dade Product Control

Sealed: 7/20/2020



**AL-FAROOQ CORPORATION**  
 ENGINEERS & PRODUCT DEVELOPMENT  
 9360 SUNSET DRIVE, SUITE 220  
 MIAMI, FLORIDA 33173  
 TEL (305) 264-8100 FAX (305) 262-6978  
 (C.A.N. 3538)

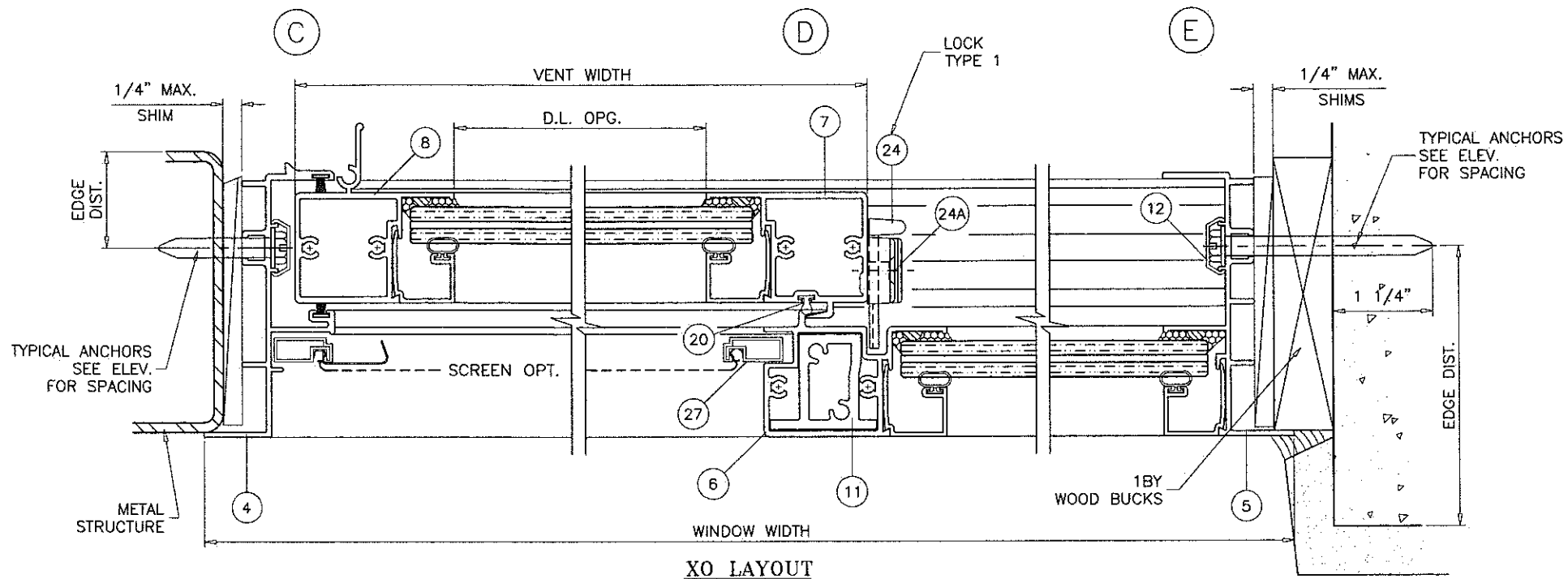
SERIES-250 ALUM HORIZ. ROLLING WDW. (S.M.I.)  
**ECO WINDOW SYSTEMS, LLC.**  
 8502 N.W. 80th STREET  
 MEDLEY, FL. 33166  
 TEL (305) 885-5299 FAX (305) 885-5902

no	date	description	by
A	06.27.18	REV. PER RER COMMENTS	
B	02.19.20	NEW TESTS ADDED	
C	07.15.20	REV. PER RER COMMENTS	

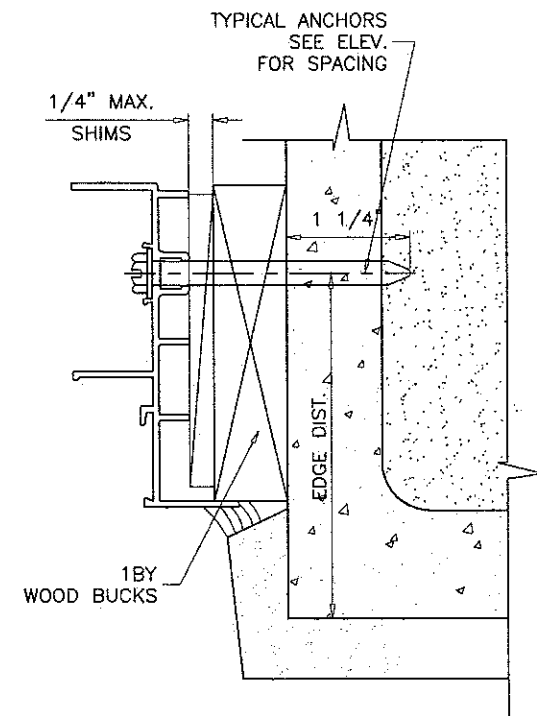
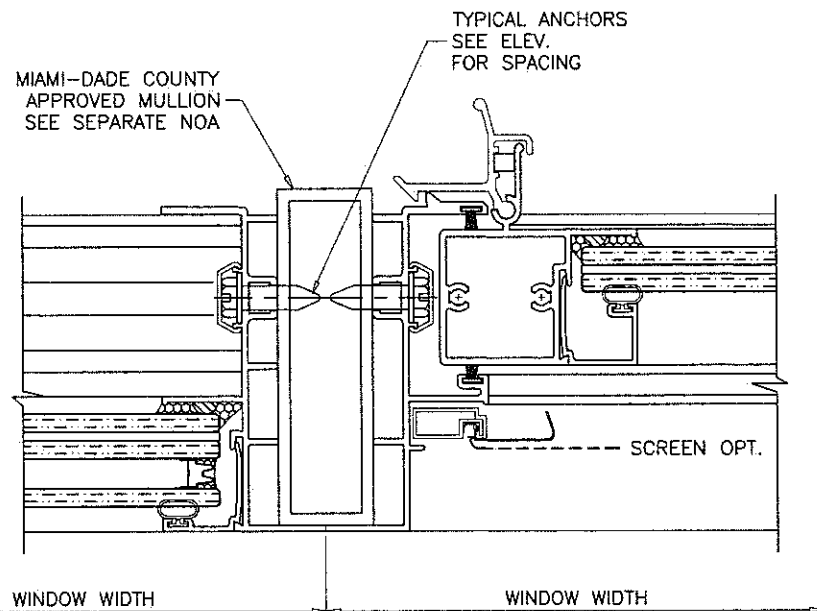
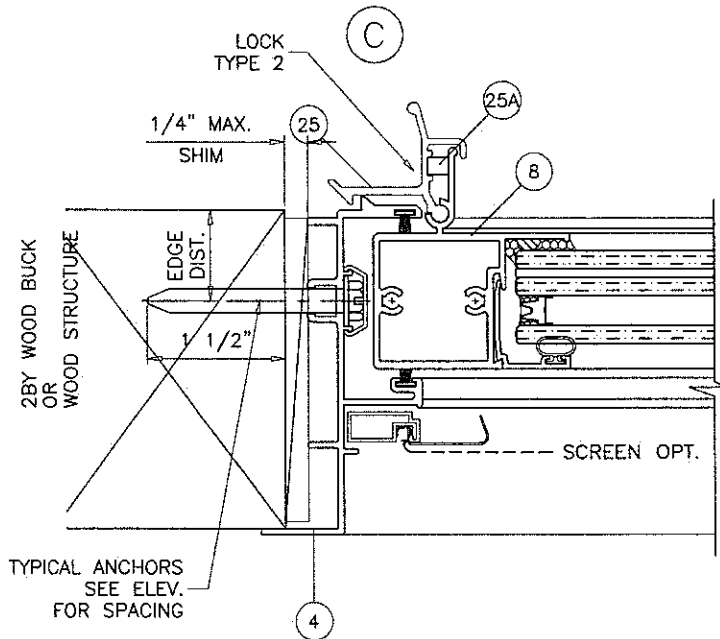
  

date:	04-26-18
scale:	1/2" = 1"
dr. by:	TARIQ
chk. by:	
drawing no.	18-52D
sheet	2 of 6

COMP-ANL \ 18-52D-ECC

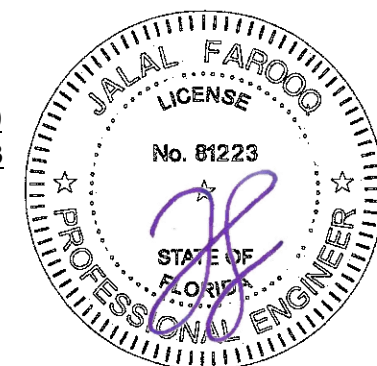


XO LAYOUT



**PRODUCT REVISED**  
 as complying with the Florida Building Code  
 NOA-No. **20-0427.10**  
 Expiration Date: **08/30/2023**  
 By: *Manuel Perez*  
 Miami-Dade Product Control

Sealed: 7/20/2020



**af c**  
**AL-FAROOQ CORPORATION**  
 ENGINEERS & PRODUCT DEVELOPMENT  
 9360 SUNSET DRIVE, SUITE 220  
 MIAMI, FLORIDA 33173 (C.A.N. 35.98)  
 TEL (305) 264-8100 FAX (305) 262-6978  
 COMP-ANL\18-52D-ECO

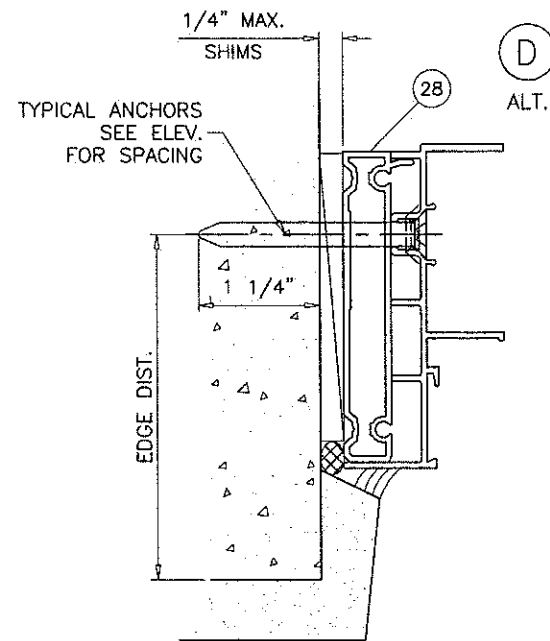
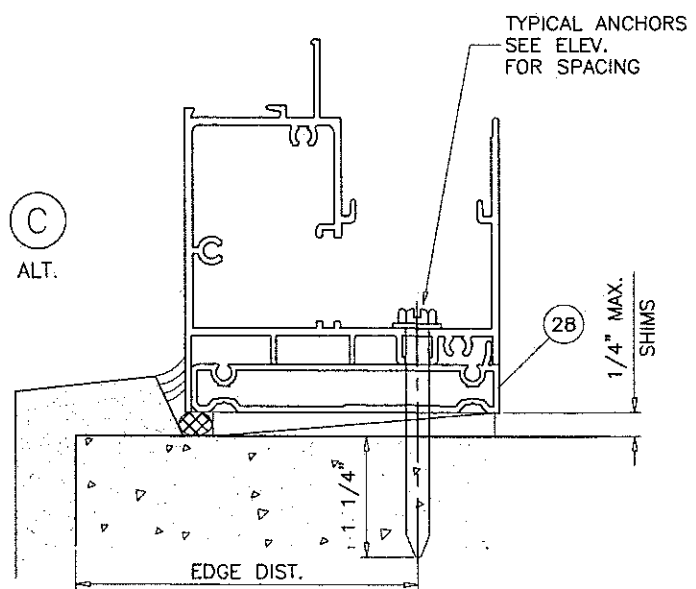
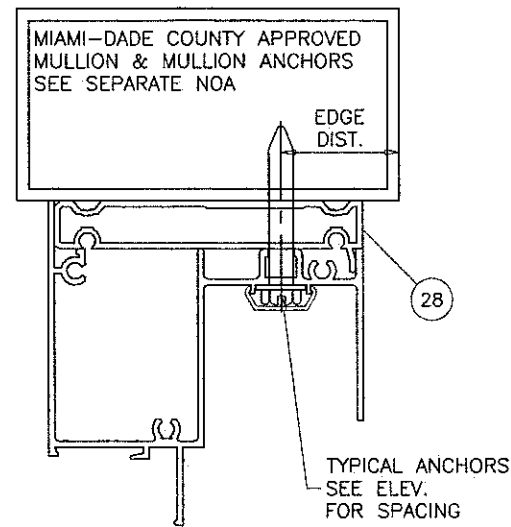
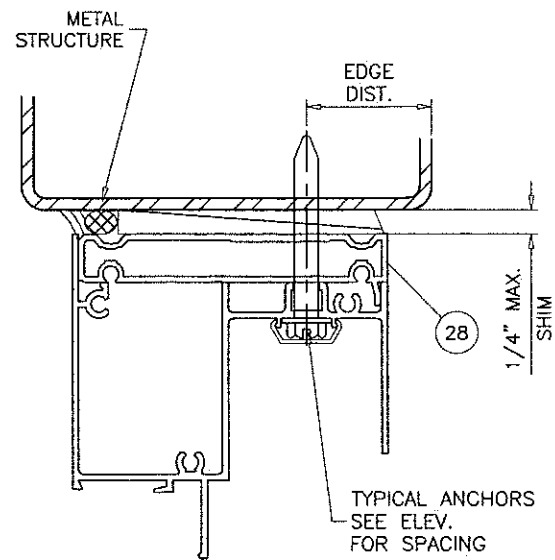
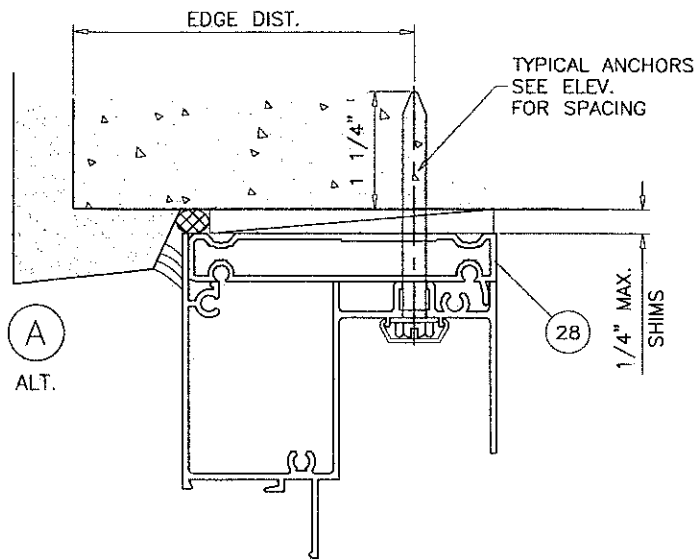
SERIES-250 ALUM HORIZ. ROLLING WDW. (S.M.I.)  
**ECO WINDOW SYSTEMS, LLC.**  
 8502 N.W. 80th STREET  
 MEDLEY, FL. 33166  
 TEL. (305) 885-5299 FAX (305) 885-5902

revisions:	
no.	description
A	06.27.18 REV. PER PER COMMENTS
B	02.19.20 NO CHANGE THIS SHEET
C	07.15.20 NO CHANGE THIS SHEET

date:	04-26-18	scale:	1/2" = 1"	dr. by:	TARIQ	chk. by:	
drawing no.	18-52D			sheet 3 of 6			

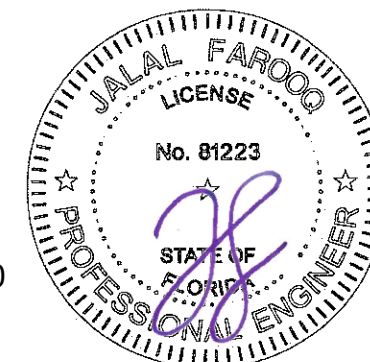




**INSTALLATION DETAILS WITH FLUSH FRAME ADAPTER**  
SEE SHEETS 2 AND 3 FOR WINDOW DETAILS

**PRODUCT REVISED**  
as complying with the Florida Building Code  
**NOA-No. 20-0427.10**  
Expiration Date: **08/30/2023**  
By: *Manuel Perez*  
Miami-Dade Product Control

Sealed: 7/20/2020



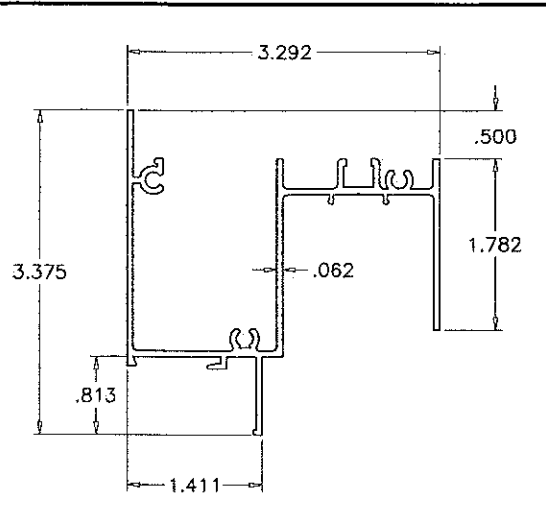
**af c**  
**AL-FAROOQ CORPORATION**  
ENGINEERS & PRODUCT DEVELOPMENT  
9360 SUNSET DRIVE, SUITE 220  
MIAMI, FLORIDA 33173 (C.A.N. 3538)  
TEL (305) 264-8100 FAX (305) 262-6978  
COMP-ANL 18-52D-ECO

SERIES-250 ALUM HORIZ. ROLLING WDW. (S.M.I.)  
**ECO WINDOW SYSTEMS, LLC.**  
8502 N.W. 80th STREET  
MEDLEY, FL. 33166  
TEL. (305) 885-5299 FAX (305) 885-5902

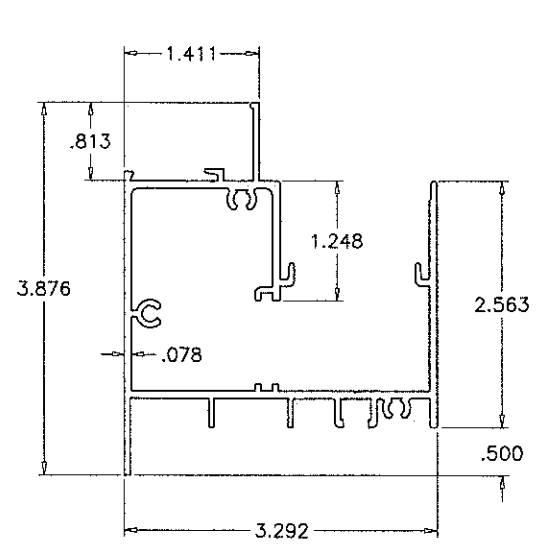
no	date	by	description
A	06.27.18		REV. PER RER COMMENTS
B	02.19.20		NO CHANGE THIS SHEET
C	07.15.20		NO CHANGE THIS SHEET

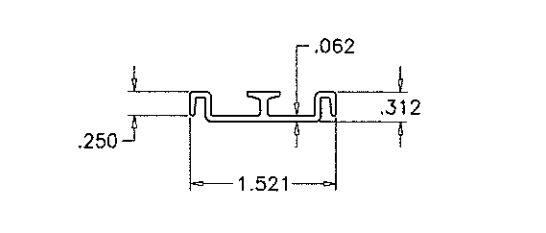
date: 04-26-18	scale: 1/2" = 1"	dr. by: TARIQ	chk. by:
drawing no. 18-52D			
sheet 4 of 6			



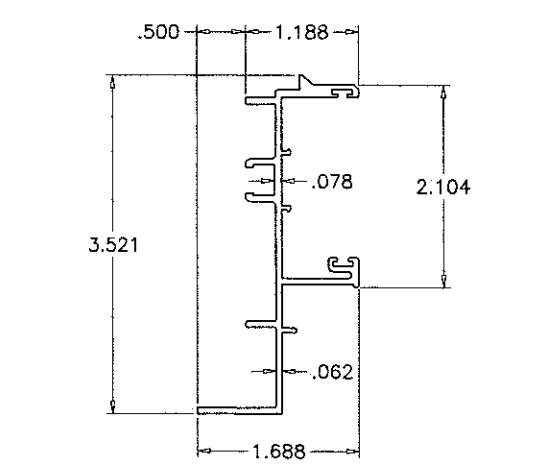
① FRAME HEAD



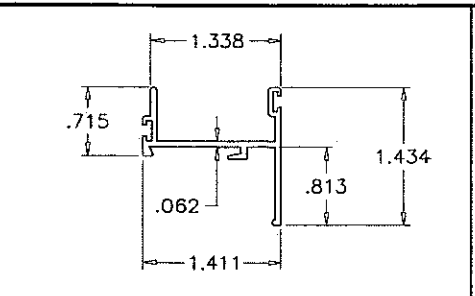
② FRAME SILL



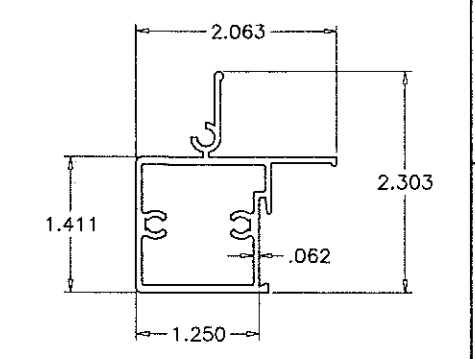
③ SILL TRACK



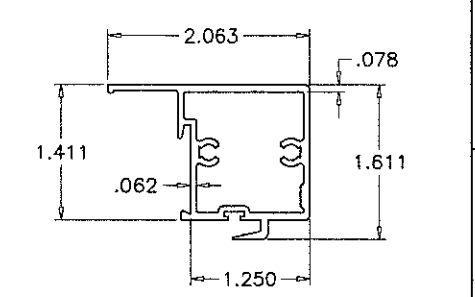
④ MOV. FRAME JAMB



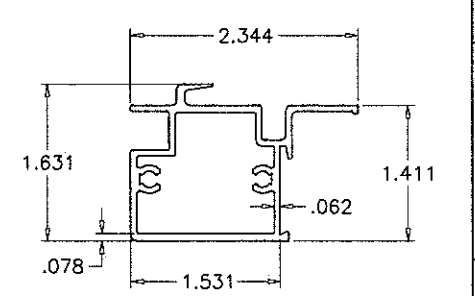
⑨ VENT TOP/BOTTOM RAIL



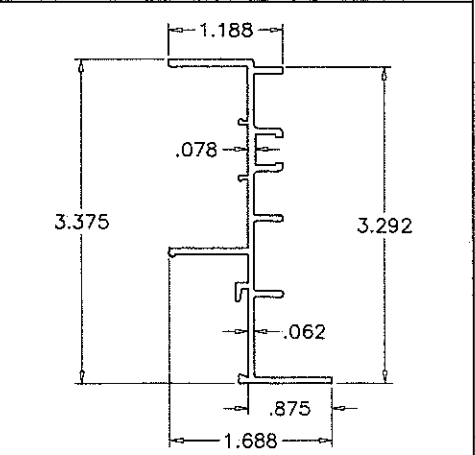
⑧ JAMB STILE



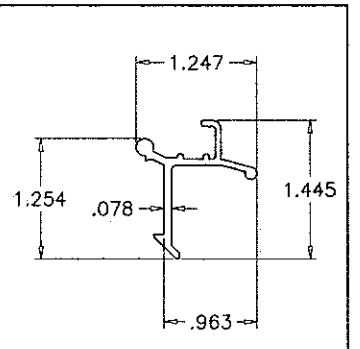
⑦ MEETING RAIL



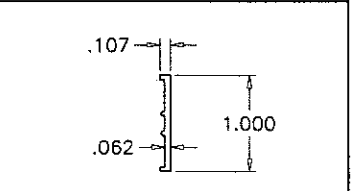
⑥ FIXED MTG. RAIL



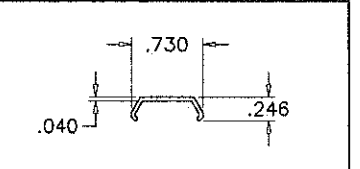
⑤ FIXED FRAME JAMB



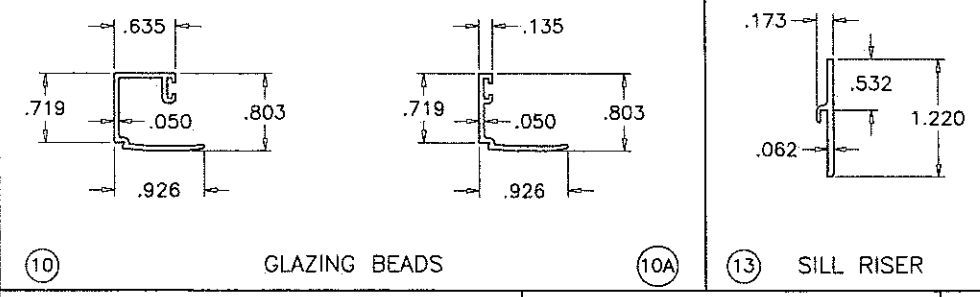
②⑤ SPRING LOADED LATCH



③⑩ SILL SUPPORT

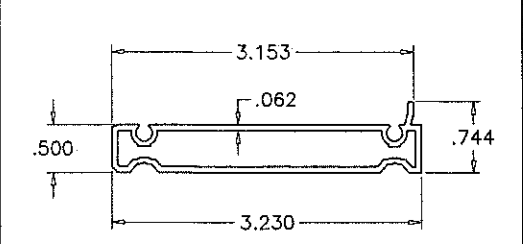


①② SCREW COVER

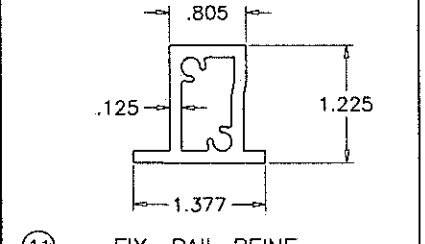


⑩ GLAZING BEADS

①③ SILL RISER



②⑧ FLUSH FRAME ADAPTER



①①① FIX. RAIL REINF. SHEAR BLOCK

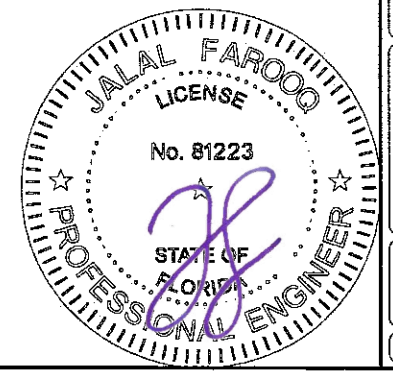
ITEM	PART #	QUANTITY	DESCRIPTION	MATERIAL	MANF./SUPPLIER/REMARKS
1	E251	1	FRAME HEAD	6063-T6	--
2	E252	1	FRAME SILL	6063-T6	--
3	E255	1	SILL TRACK INSERT	6063-T6	--
4	E253	AS REQD.	MOV. FRAME JAMB	6063-T6	--
5	E151	AS REQD.	FIXED FRAME JAMB	6063-T6	--
6	E154	1/ VENT	FIXED MTG. RAIL	6063-T6	--
7	E155	1/ VENT	VENT INTERLOCK	6063-T6	--
8	E254	1/ VENT	JAMB STILE	6063-T6	--
9	E157	2/ VENT	TOP AND BOTTOM RAIL	6063-T6	--
10	E159	AS REQD.	GLAZING BEAD (LAM. GLASS)	6063-T6	--
10A	E158	AS REQD.	GLAZING BEAD (INSUL. LAM. GLASS)	6063-T6	--
11	E256	AS REQD.	FIX. RAIL REINF., FULL LENGTH	6063-T6	--
11A	E256	AS REQD.	SHEAR BLOCK, 2" LONG	6063-T6	--
12	E162	AS REQD.	SCREW COVER	6063-T6	--
13	E204	AS REQD.	ADD-ON SILL RISER	6063-T6	USE AS REQD.
14	E257	4/ VENT	ROLLER HOUSING & GUIDE	CELCON	--
15	FY209	2/ VENT	ROLLER	BRASS	--
16	FY210	2/ VENT	ROLLER PIN	ST. STEEL	--
17	#10 X 1"	AS REQD.	FRAME/VENT ASSEMBLY SCREWS	CRS	P.H. SMS
18	#10 X 3"	2/ VENT	FIX. RAIL SILL SCREWS (SILL END)	CRS	P.H. SMS
19	W23181	AS REQD.	FIN SEAL W'STRIPPING	--	ULTRAFAB
20	Q300T190	AS REQD.	BULB SEAL	Q-LON	SCHLEGEL
22	E203	AS REQD.	GLAZING BEAD BULB	SANTOPRENE	ULTRAFAB, DUROMETER 65±5
23	FLB-50	AS REQD.	GLASS SPACER	SILICONE	FRANK LOWE
24	SL203P	2/ VENT	SWEEP LATCH, AT 13-1/2" FROM ENDS	--	SULLIVAN & ASSOC.
24A	#8 X 1/8"	2/ LATCH	LATCH INST. SCREW	ST. STEEL	OH SMS
25	FY113	2/ VENT	SPRING LOADED LATCH, AT 13-1/2" FROM ENDS	6063-T6	--
25A	--	1/ LATCH	LATCH SPRING	ST. STEEL	--
26	WA2L	2/ WDW.	WEEP VALVE	--	PREFERRED ENG. PRODUCTS
27	--	1/ VENT	5/16" BOX SCREEN	--	OPTIONAL
28	E161	--	FLUSH FRAME ADAPTER	6063-T6	OPTIONAL
29	--	2/ LITE	SETTING BLOCK	EPDM	DUROMETER 80±5 SHORE A
30	--	1	SILL SUPPORT INSERT	6063-T6	--
31	--	--	INSUL. GLASS EDGE SPACER	ST. STEEL	CARDINAL XL
32	--	--	INSUL. GLASS EDGE SPACER	--	SUPER SPACER BY QUANEX

**SEALANT:**

ALL JOINTS AND FRAME CONNECTIONS SEALED WITH JOINT SEALER.

**PRODUCT REVISED**  
 as complying with the Florida Building Code  
 NOA-No. **20-0427.10**  
 Expiration Date: **08/30/2023**  
 By: *Manuel Fern*  
 Miami-Dade Product Control

Sealed: 7/20/2020

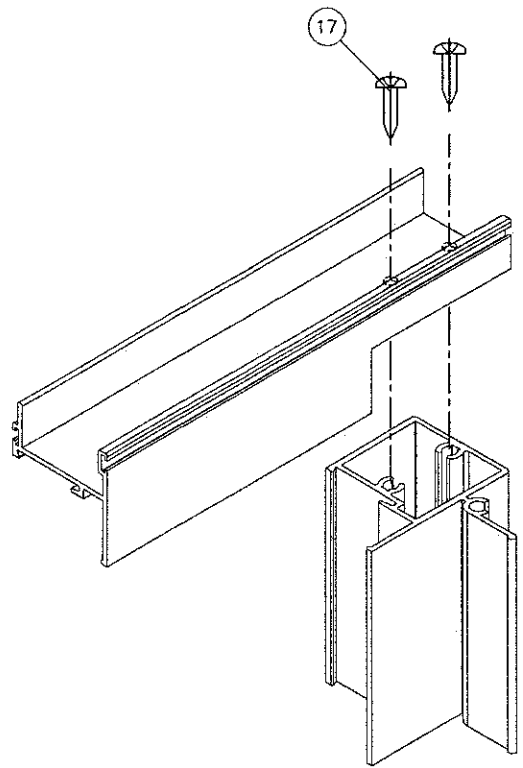


**afC**  
**AL-FAROOQ CORPORATION**  
 ENGINEERS & PRODUCT DEVELOPMENT  
 9360 SUNSET DRIVE, SUITE 220  
 MIAMI, FLORIDA 33173 (C.A.N. 3538)  
 TEL. (305) 264-8100 FAX. (305) 262-9978  
 COMP-ANL \ 18-52D-ECO

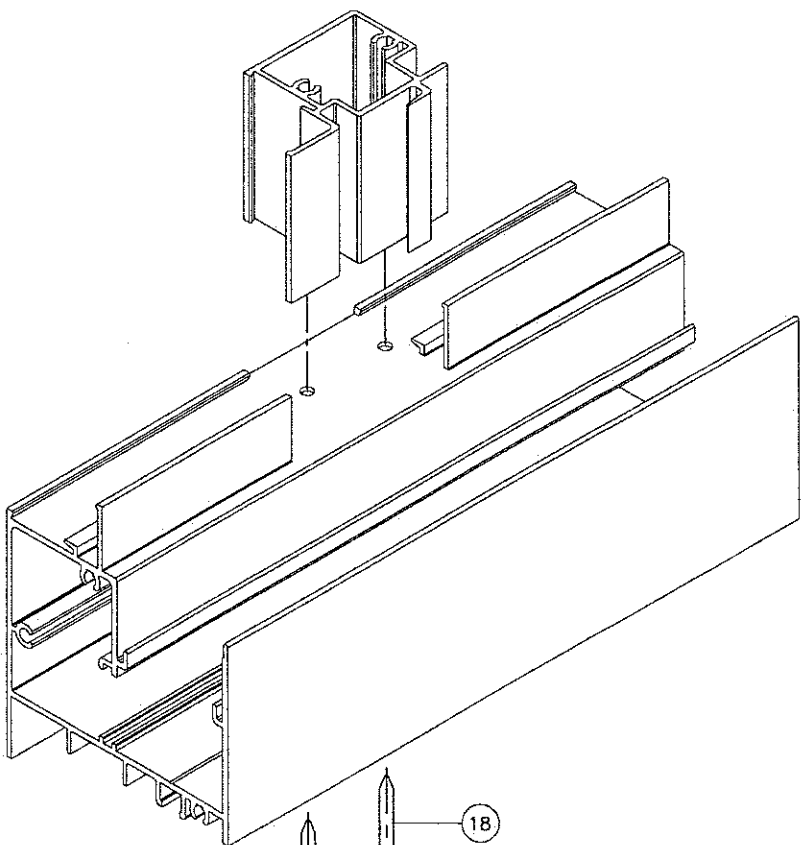
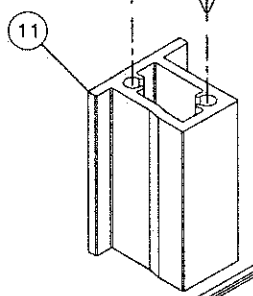
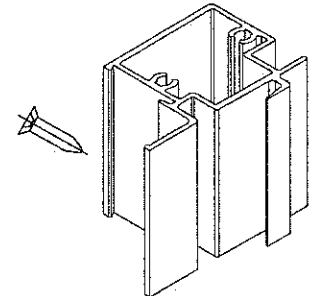
SERIES-250 ALUM. HORIZ. ROLLING WDW. (S.M.I.)  
**ECO WINDOW SYSTEMS, LLC.**  
 8502 N.W. 80th STREET  
 MEDLEY, FL. 33166  
 TEL. (305) 885-5299 FAX (305) 885-5902

NO	DATE	DESCRIPTION	BY
A	06.27.18	NO CHANGE THIS SHEET	
B	02.19.20	NO CHANGE THIS SHEET	
C	07.15.20	REV. PER RER COMMENTS	

date: 04-26-18  
 scale: 1/2" = 1"  
 dr. by: TARIQ  
 chk. by:  
 drawing no. 18-52D  
 sheet 5 of 6

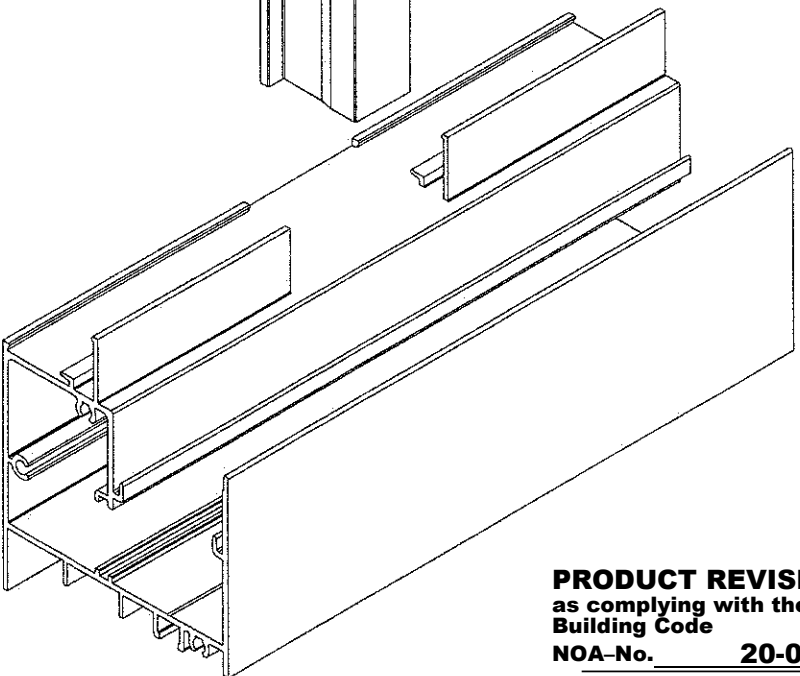


VENT TOP/BOTTOM CORNERS

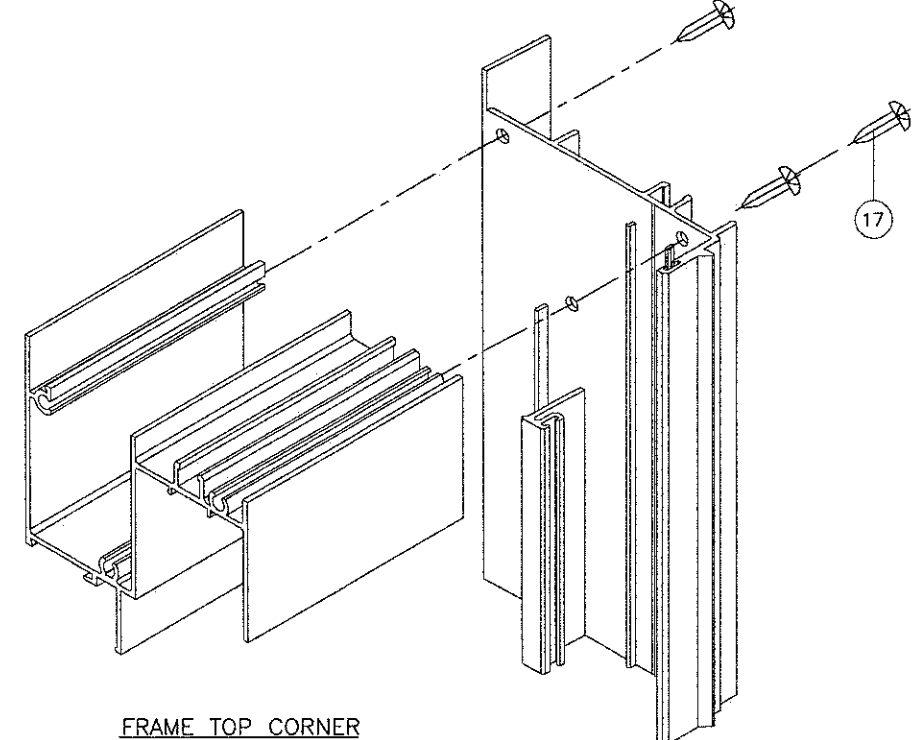


18

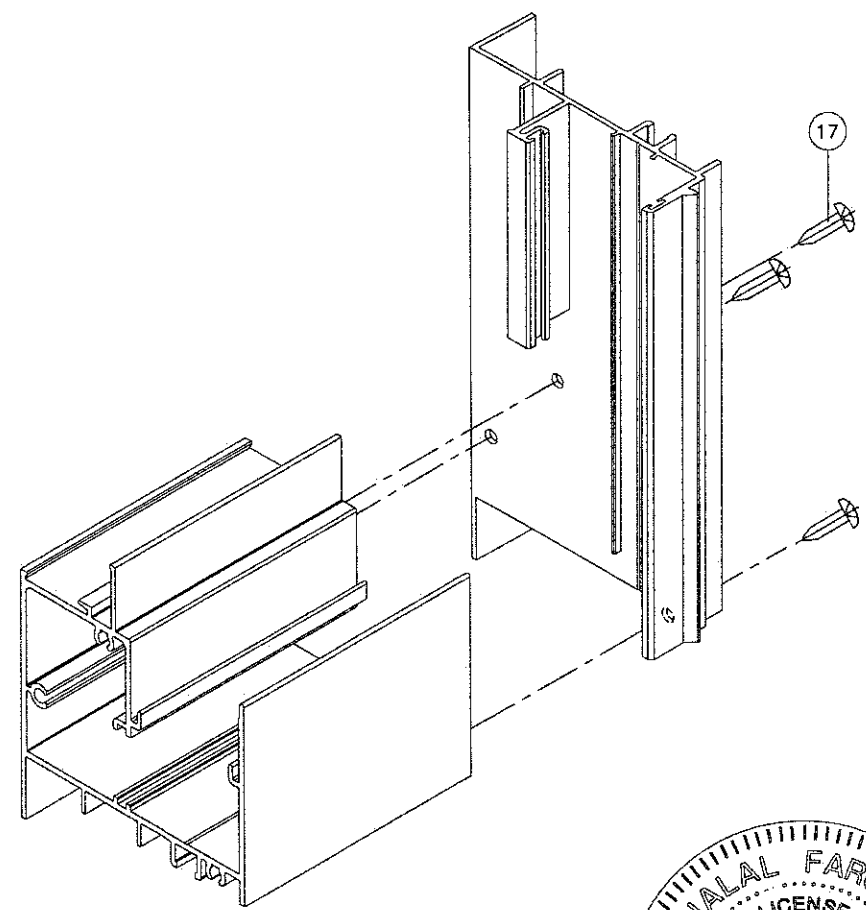
FIXED MTG. RAIL CORNER



FIXED MTG. RAIL CORNER



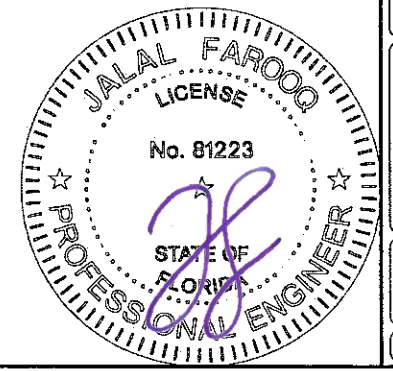
FRAME TOP CORNER



FRAME BOTTOM CORNER

**PRODUCT REVISED**  
 as complying with the Florida  
 Building Code  
 NOA-No. **20-0427.10**  
 Expiration Date: **08/30/2023**  
 By: *Manuel Perez*  
 Miami-Dade Product Control

Sealed: 7/20/2020



**afC**  
**AL-FAROOQ CORPORATION**  
 ENGINEERS & PRODUCT DEVELOPMENT  
 9360 SUNSET DRIVE, SUITE 220  
 MIAMI, FLORIDA 33173 (C.A.N. 3538)  
 TEL (305) 264-8100 FAX (305) 262-6978  
 COMP-ANL 18-52D-ECO

SERIES-250 ALUM. HORIZ. ROLLING WDW. (S.M.I.)  
**ECO WINDOW SYSTEMS, LLC.**  
 8502 N.W. 80th STREET  
 MEDLEY, FL. 33166  
 TEL (305) 885-5299 FAX (305) 885-5902

revisions:	no	date	by	description
	A	06.27.18		NO CHANGE THIS SHEET
	B	02.19.20		NO CHANGE THIS SHEET
	C	07.15.20		NO CHANGE THIS SHEET

date: 04-26-18	scale: 1/2" = 1"	dr. by: TARIQ	chk. by:
drawing no. 18-52D			
sheet 6 of 6			