



DEPARTMENT OF REGULATORY AND ECONOMIC RESOURCES (RER)
BOARD AND CODE ADMINISTRATION DIVISION

NOTICE OF ACCEPTANCE (NOA)

MIAMI-DADE COUNTY
PRODUCT CONTROL SECTION
11805 SW 26 Street, Room 208
Miami, Florida 33175-2474
T (786) 315-2590 F (786) 315-2599
www.miamidade.gov/economy

GAF
1 Campus Drive
Parsippany, NJ 07054

SCOPE: This NOA is being issued under the applicable rules and regulations governing the use of construction materials. The documentation submitted has been reviewed and accepted by Miami-Dade County RER-Product Control Section to be used in Miami-Dade County and other areas where allowed by the Authority Having Jurisdiction (AHJ).

This NOA shall not be valid after the expiration date stated below. The Miami-Dade County Product Control Section (In Miami-Dade County) and/ or the AHJ (in areas other than Miami-Dade County) reserve the right to have this product or material tested for quality assurance purposes. If this product or material fails to perform in the accepted manner, the manufacturer will incur the expense of such testing and the AHJ may immediately revoke, modify, or suspend the use of such product or material within their jurisdiction. RER reserves the right to revoke this acceptance if it is determined by Miami-Dade County Product Control Section that this product or material fails to meet the requirements of the applicable building code.

This product is approved as described herein and has been designed to comply with the Florida Building Code, including the High Velocity Hurricane Zone.

DESCRIPTION: GAF WeatherSide™ Fiber Cement Siding

APPROVAL DOCUMENT: Drawing No. **2010.G33560CT**, titled “GAF WeatherSide Profile 12, Purity Straight, Purity Thatched, Purity Wavy and Profile 9”, sheets 1 through 3 of 3, dated 08/14/2013, with revision **03** dated 01/05/2018, prepared by Nemo etc., signed and sealed by Robert Nieminen, P.E., bearing the Miami-Dade County Product Control revision stamp with the Notice of Acceptance number and expiration date by the Miami-Dade County Product Control Section.

MISSILE IMPACT RATING: Large and Small Missile Impact Resistant

LABELING: Each unit shall bear a permanent label with the manufacturer's name or logo, city, state, model/series and the following statements: “ASTM C 1186, Type A compliant” and "Miami-Dade County Product Control Approved", unless otherwise noted herein.

RENEWAL of this NOA shall be considered after a renewal application has been filed and there has been no change in the applicable building code negatively affecting the performance of this product.

TERMINATION of this NOA will occur after the expiration date or if there has been a revision or change in the materials, use, and/ or manufacture of the product or process. Misuse of this NOA as an endorsement of any product, for sales, advertising or any other purposes shall automatically terminate this NOA. Failure to comply with any section of this NOA shall be cause for termination and removal of NOA.

ADVERTISEMENT: The NOA number preceded by the words Miami-Dade County, Florida, and followed by the expiration date may be displayed in advertising literature. If any portion of the NOA is displayed, then it shall be done in its entirety.

INSPECTION: A copy of this entire NOA shall be provided to the user by the manufacturer or its distributors and shall be available for inspection at the job site at the request of the Building Official.

This NOA **revises NOA # 18-0327.09** and consists of this page 1 and evidence pages E-1 and E-2, as well as approval document mentioned above.

The submitted documentation was reviewed by **Carlos M. Utrera, P.E.**



NOA No. 20-1104.19
Expiration Date: October 31, 2023
Approval Date: February 25, 2021
Page 1

GAF

NOTICE OF ACCEPTANCE: EVIDENCE SUBMITTED

1. EVIDENCE SUBMITTED UNDER PREVIOUS NOAs

A. DRAWINGS “Submitted under NOA # 15-0128.01”

1. Drawing No. **2010.G33560CT**, titled “GAF WeatherSide Profile 12, Purity Straight, Purity Thatched, Purity Wavy and Profile 9”, sheets 1 through 3 of 3, dated 08/14/2013, with revision **02** dated 04/10/2015, prepared by Trinity ERD, signed and sealed by Robert Nieminen, P.E.

B. TESTS “Submitted under NOA # 13-0604.07”

1. Test reports on 1) Uniform Static Air Pressure Test, Loading per FBC TAS 202-94
2) Cyclic Wind Pressure Loading per FBC, TAS 203-94
along with marked-up drawings of GAF-ELK WeatherSide Profile 12 Fiber Cement Siding, prepared by Farabaugh Engineering and Testing, Inc., Test Report No. **T135-11**, dated 02/18/2011, signed and sealed by Daniel G. Farabaugh, P.E.

C. CALCULATIONS “Submitted under NOA # 13-0604.07”

1. Anchor verification calculations prepared by Trinity ERD, dated 02/18/2011, signed and sealed by Robert Nieminen, P.E.

D. QUALITY ASSURANCE

1. Miami-Dade Department of Regulatory and Economic Resources (RER)

E. MATERIAL CERTIFICATIONS “Submitted under NOA # 15-0128.01”

1. Test report on fiber cement physical and mechanical properties per ASTM C1185 and C1186 of GAF WeatherSide Fiber Cement, prepared by Trinity ERD, Test Report No. 30200.01.10, dated 01/08/2010, signed by Robert Nieminen, P.E.
2. Test report on Surface Burning Characteristics per UL 723 of GAF mineral and fiberboards, Test Report No. R19185, dated 10/27/1999, signed by James F. Smith.
3. Test report on Behavior of Materials in a Vertical Tube Furnace per ASTM E136 of GAF exterior wall siding materials, Test Report No. SV18097, Project 10CA32578, dated 07/21/2010, signed by R. K. Laymon.

F. STATEMENTS “Submitted under NOA # 15-0128.01”

1. Statement letter of code conformance to 2010 and 5th edition (2014) FBC and no financial interest issued by Trinity ERD, dated 04/10/2015, signed and sealed by Robert Nieminen, P.E.



Carlos M. Utrera, P.E.
Product Control Examiner
NOA No. 20-1104.19
Expiration Date: October 31, 2023
Approval Date: February 25, 2021

GAF

NOTICE OF ACCEPTANCE: EVIDENCE SUBMITTED

2. EVIDENCE SUBMITTED UNDER NOA # 18-0327.09

A. DRAWINGS

1. Drawing No. **2010.G33560CT**, titled “GAF WeatherSide Profile 12, Purity Straight, Purity Thatched, Purity Wavy and Profile 9”, sheets 1 through 3 of 3, dated 08/14/2013, with revision **03** dated 01/05/2018, prepared by Nemo| etc., signed and sealed by Robert Nieminen, P.E.

B. TESTS

1. None.

C. CALCULATIONS

1. None.

D. QUALITY ASSURANCE

1. Miami-Dade Department of Regulatory and Economic Resources (RER)

E. MATERIAL CERTIFICATIONS

1. None.

F. STATEMENTS

1. Statement letter of code conformance to the 6th Edition (2017) FBC issued by Nemo| etc., dated 01/02/2018, signed and sealed by Robert Nieminen, P.E.

3. NEW EVIDENCE SUBMITTED

A. DRAWINGS

1. None.

B. TESTS

1. None.

C. CALCULATIONS

1. None.

D. QUALITY ASSURANCE

1. Miami-Dade Department of Regulatory and Economic Resources (RER)

E. MATERIAL CERTIFICATIONS

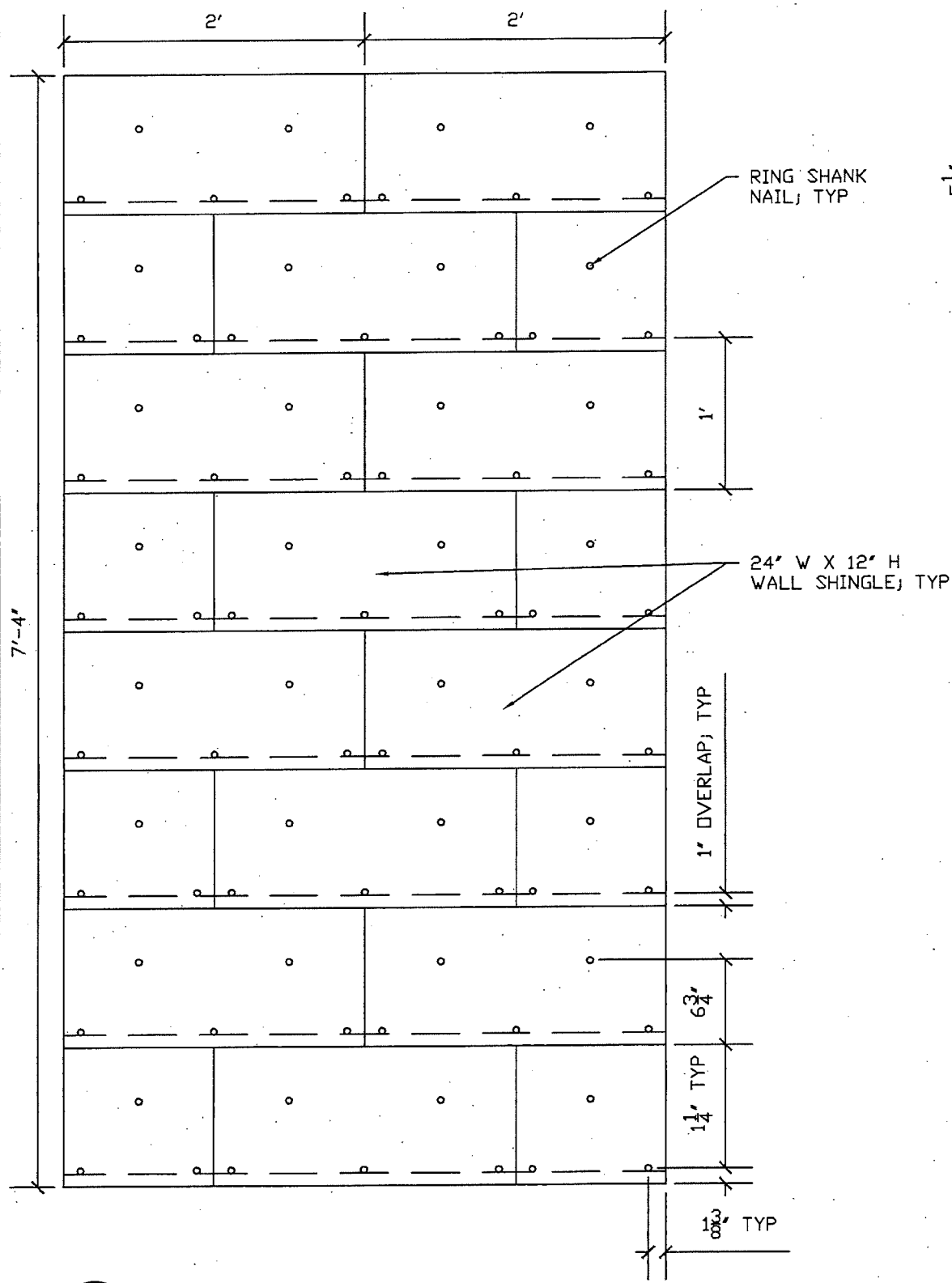
1. None.

F. STATEMENTS

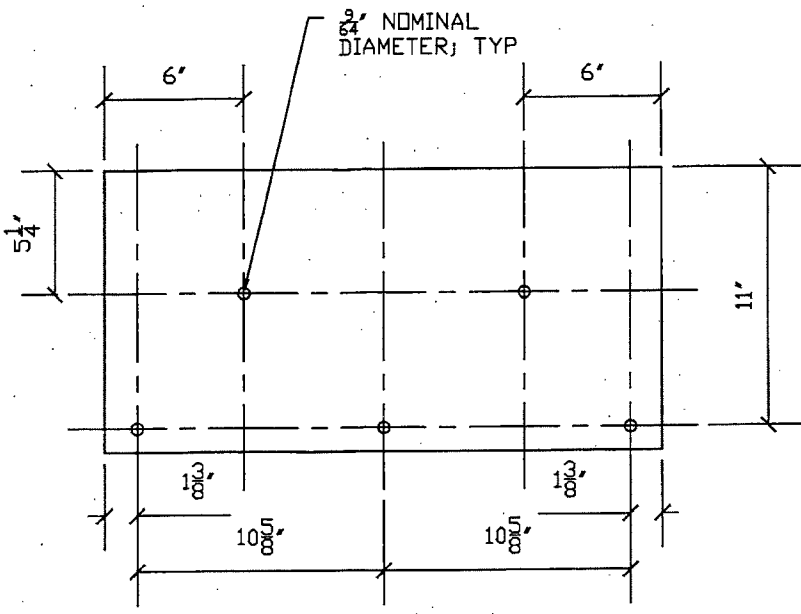
1. Statement letter of code conformance to the 7th Edition (2020) FBC issued by Nemo| etc., dated 09/18/2020, signed and sealed by Robert Nieminen, P.E.



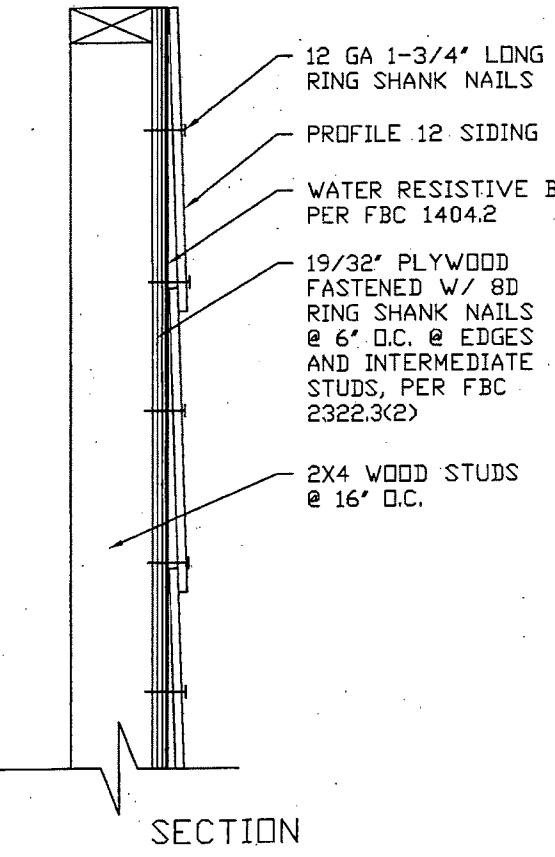
Carlos M. Utrera, P.E.
Product Control Examiner
NOA No. 20-1104.19
Expiration Date: October 31, 2023
Approval Date: February 25, 2021



1 ELEVATION
1"=1'-0"



FASTENING PATTERN



2 DETAILS
1 1/2"=1'-0"

PRODUCT REVISED
as complying with the Florida Building Code
NOA-No. 20-1104.19
Expiration Date 10/31/2023
By *[Signature]*
Miami-Dade Product Control

PRODUCT DESCRIPTION:
- GAF WEATHERSIDE PROFILE 12 FIBER CEMENT SIDING
- 24" WIDE X 12" HIGH X 3/16" THICK (NOMINAL)
- TESTED IN ACCORDANCE WITH TAS 202, 203; AND MEETING THE REQUIREMENTS OF THE FLORIDA BUILDING CODE
- INSTALLED OVER WRB ON 19/32" PLYWOOD FASTENED TO WOOD STUDS
- DESIGN PRESSURE RATING = -66.3 PSF

INSTALLATION NOTES:
- ALL INSTALLATION SHALL BE DONE IN ACCORDANCE WITH THIS NOTICE OF ACCEPTANCE, THE MANUFACTURER'S INSTALLATION RECOMMENDATIONS, AND THE REQUIREMENTS OF THE FLORIDA BUILDING CODE
- WOOD STUD WALL ON WHICH DESCRIBED PRODUCT WILL BE INSTALLED SHALL BE DESIGNED BY A PROFESSIONAL ENGINEER OR A LICENSED ARCHITECT PER THE F.B.C. AND THE REQUIREMENTS OF THIS N.O.A.
- THE DESCRIBED PRODUCT SHALL BE INSTALLED HORIZONTALLY, COMMENCING FROM THE BOTTOM COURSE OF A WALL

3 NOTES

PRODUCT RENEWED
as complying with the Florida Building Code
NOA-No. 18-0327.09
Expiration Date 10/31/2023
By *[Signature]*
Miami-Dade Product Control

NEMO|etc.
ENGINEER | EVALUATE | TEST | CONSULT | CERTIFY
353 Christian Street, Unit #13
Oxford, CT 06478
TEL: 203 262 9245
FAX: 203 262 9243
WWW.NEMOETC.COM

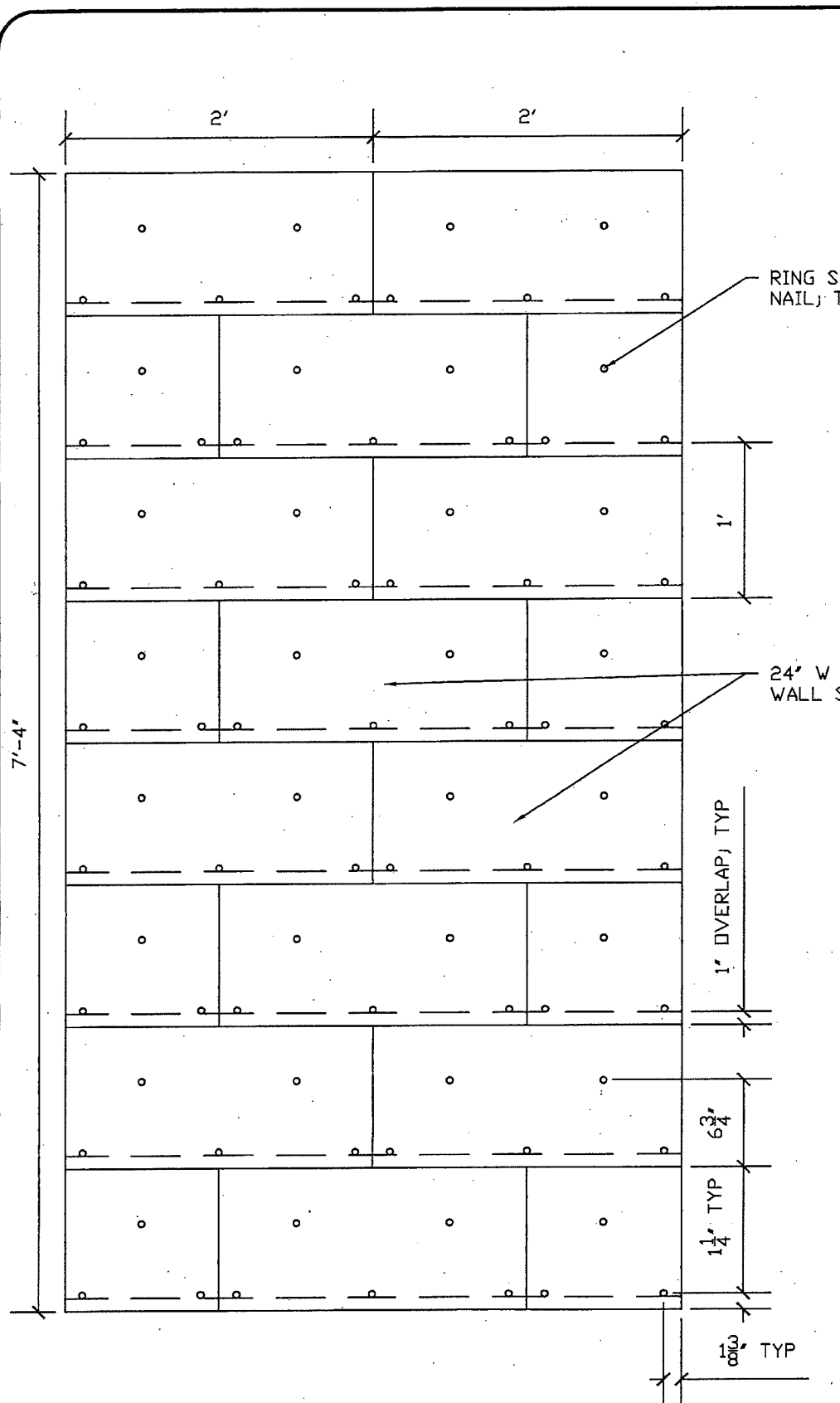
P.E. Review
ROBERT NIEMINEN
LICENSE
No 59166
02/08/2018
STATE OF FLORIDA
PROFESSIONAL ENGINEER

Drawing Name
GAF
Weatherside
Profile 12
Elevation & Details

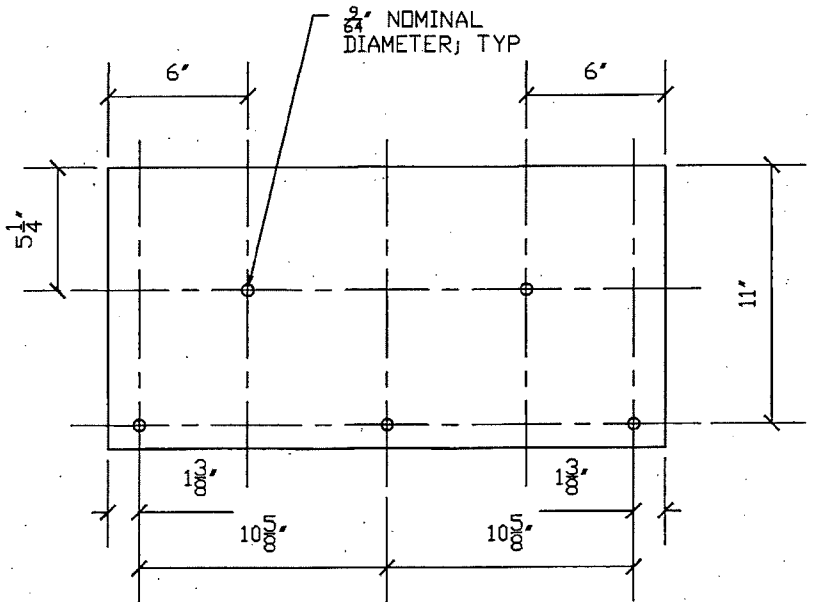
Rev #	DWG File#	Date
03		01.05.18
02		04.10.15
01		09.18.13
GAF Weatherside 081313		

Project Name:
Weatherside
GAF
1 Campus Drive
Parsippany, NJ 07054
973.628.3000

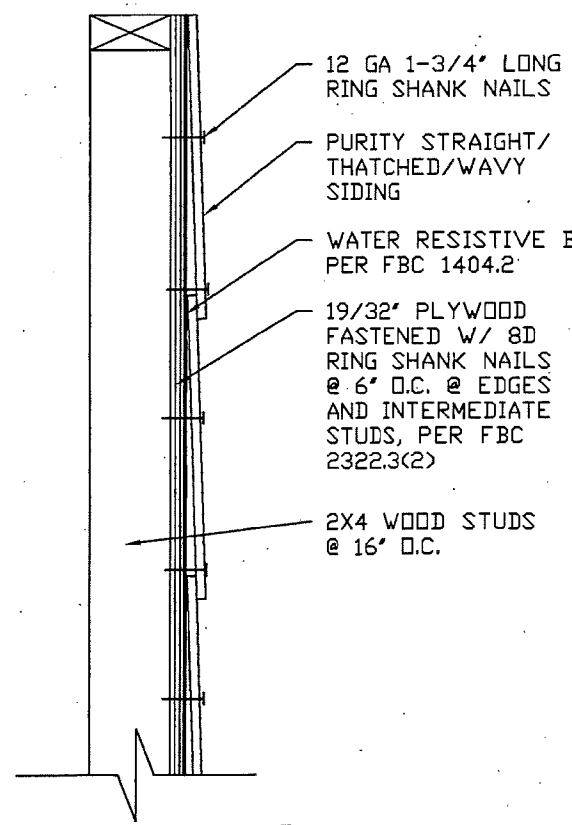
Report: 2010.G33560CT
Date: 01/05/2018
Scale: AS NOTED
Sheet: 1 of 3



1 ELEVATION
1"=1'-0"



FASTENING PATTERN



SECTION

2 DETAILS
1 1/2"=1'-0"

PRODUCT REVISED
as complying with the Florida Building Code
NOA-No. 20-1104.19

Expiration Date 10/31/2023

By *[Signature]*
Miami-Dade Product Control

PRODUCT DESCRIPTION:
- GAF WEATHERSIDE PURITY STRAIGHT, PURITY THATCHED, AND PURITY WAVY FIBER CEMENT SIDING
- 24" WIDE X 12" HIGH X 3/16" THICK (NOMINAL)
- TESTED IN ACCORDANCE WITH TAS 202, 203; AND MEETING THE REQUIREMENTS OF THE FLORIDA BUILDING CODE
- INSTALLED OVER WRB ON 19/32" PLYWOOD FASTENED TO WOOD STUDS
- DESIGN PRESSURE RATING = -66.3 PSF

INSTALLATION NOTES:
- ALL INSTALLATION SHALL BE DONE IN ACCORDANCE WITH THIS NOTICE OF ACCEPTANCE, THE MANUFACTURER'S INSTALLATION RECOMMENDATIONS, AND THE REQUIREMENTS OF THE FLORIDA BUILDING CODE
- WOOD STUD WALL ON WHICH DESCRIBED PRODUCT WILL BE INSTALLED SHALL BE DESIGNED BY A PROFESSIONAL ENGINEER OR A LICENSED ARCHITECT PER THE F.B.C. AND THE REQUIREMENTS OF THIS N.O.A.
- THE DESCRIBED PRODUCT SHALL BE INSTALLED HORIZONTALLY, COMMENCING FROM THE BOTTOM COURSE OF A WALL

3 NOTES

PRODUCT RENEWED
as complying with the Florida Building Code
NOA-No. 18-0327.09

Expiration Date 10/31/2023

By *[Signature]*
Miami-Dade Product Control

NEMO|etc.
ENGINEER | EVALUATE | TEST | CONSULT | CERTIFY

353 Christian Street, Unit #13
Oxford, CT 06478

TEL: 203 262 9245
FAX: 203 262 9243
WWW.NEMOETC.COM

P.E. Review

Drawing Name

GAF
Weatherside

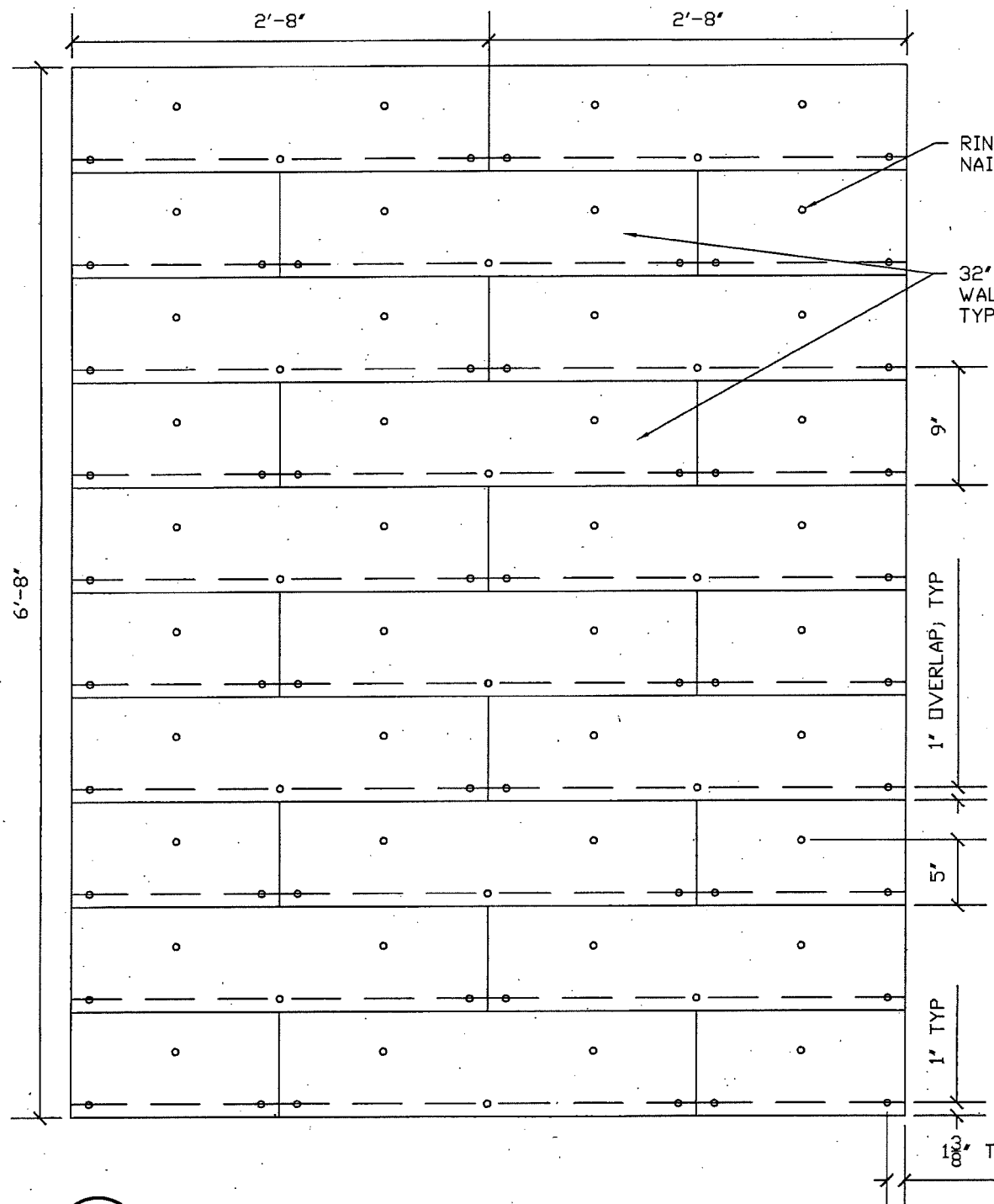
Purity Straight
Purity Thatched
Purity Wavy
Elevation & Details

Rev #	DWG File#	Date
03		01.05.18
02		04.10.15
01		09.18.13
GAF Weatherside_081313		

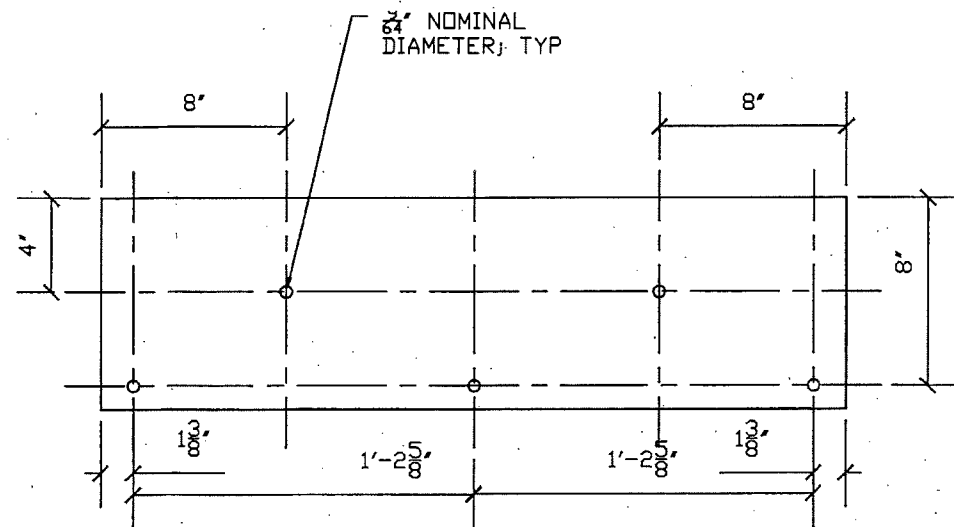
Project Name:
Weatherside
GAF
1 Campus Drive
Parsippany, NJ 07054
973.628.3000

Report: 2010.G33560CT
Date: 01/05/2018
Scale: AS NOTED

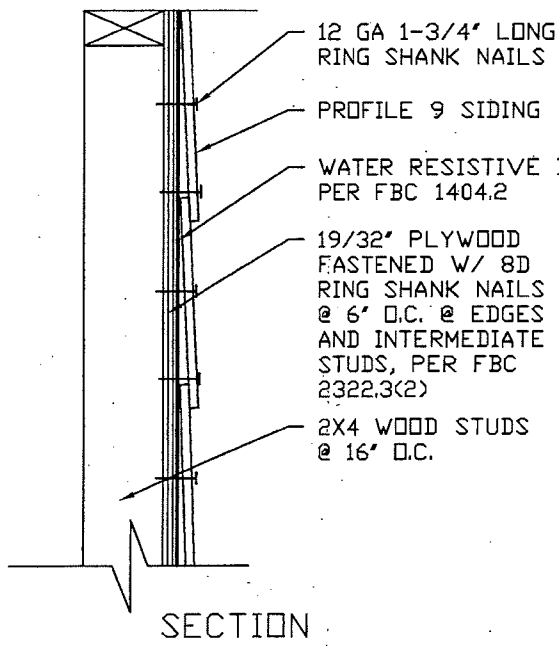
Sheet:
2 of 3



1 ELEVATION
1"=1'-0"



FASTENING PATTERN



SECTION

2 DETAILS
1 1/2"=1'-0"

PRODUCT REVISED
as complying with the Florida Building Code
NOA-No. 20-1104.19
Expiration Date 10/31/2023
By *[Signature]*
Miami-Dade Product Control

PRODUCT DESCRIPTION:
- GAF WEATHERSIDE PROFILE 9
- 32" WIDE X 9" HIGH X 3/16" THICK (NOMINAL)
- TESTED IN ACCORDANCE WITH TAS 202, 203; AND MEETING THE REQUIREMENTS OF THE FLORIDA BUILDING CODE
- INSTALLED OVER WRB ON 19/32" PLYWOOD FASTENED TO WOOD STUDS
- DESIGN PRESSURE RATING = -66.3 PSF

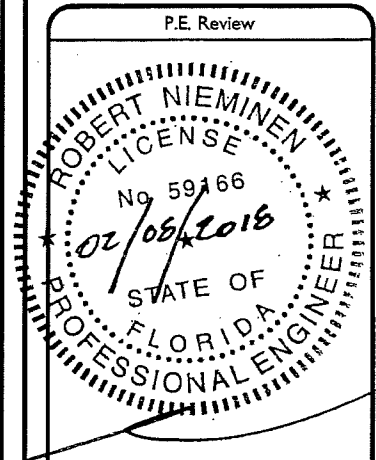
INSTALLATION NOTES:
- ALL INSTALLATION SHALL BE DONE IN ACCORDANCE WITH THIS NOTICE OF ACCEPTANCE, THE MANUFACTURER'S INSTALLATION RECOMMENDATIONS, AND THE REQUIREMENTS OF THE FLORIDA BUILDING CODE
- WOOD STUD WALL ON WHICH DESCRIBED PRODUCT WILL BE INSTALLED SHALL BE DESIGNED BY A PROFESSIONAL ENGINEER OR A LICENSED ARCHITECT PER THE F.B.C. AND THE REQUIREMENTS OF THIS N.O.A.
- THE DESCRIBED PRODUCT SHALL BE INSTALLED HORIZONTALLY, COMMENCING FROM THE BOTTOM COURSE OF A WALL

3 NOTES

PRODUCT RENEWED
as complying with the Florida Building Code
NOA-No. 18-0327.09
Expiration Date 10/31/2023
By *[Signature]*
Miami-Dade Product Control



353 Christian Street, Unit #13
Oxford, CT 06478
TEL: 203 262 9245
FAX: 203 262 9243
WWW.NEMOETC.COM



Drawing Name

GAF
Weatherside

Profile 9
Elevation & Details

Rev #	DWG File#	Date
03		01.05.18
02		04.10.15
01		09.18.13
GAF_Weatherside_081313		

Project Name:
Weatherside
GAF
1 Campus Drive
Parsippany, NJ 07054
973.628.3000

Report: 2010.G33560CT	Sheet: 3 of 3
Date: 01/05/2018	
Scale: AS NOTED	