



DEPARTMENT OF REGULATORY AND ECONOMIC RESOURCES (RER)  
BOARD AND CODE ADMINISTRATION DIVISION  
**NOTICE OF ACCEPTANCE (NOA)**

MIAMI-DADE COUNTY  
PRODUCT CONTROL SECTION  
11805 SW 26 Street, Room 208  
Miami, Florida 33175-2474  
T (786) 315-2590 F (786) 315-2599  
[www.miamidade.gov/building](http://www.miamidade.gov/building)

E.S. Windows, LLC  
3550 NW 49<sup>th</sup> Street  
Miami, FL 33142

**SCOPE:**

This NOA is being issued under the applicable rules and regulations governing the use of construction materials. The documentation submitted has been reviewed and accepted by Miami-Dade County RER-Product Control Section to be used in Miami-Dade County and other areas where allowed by the Authority Having Jurisdiction (AHJ).

This NOA shall not be valid after the expiration date stated below. The Miami-Dade County Product Control Section (In Miami-Dade County) and/ or the AHJ (in areas other than Miami-Dade County) reserve the right to have this product or material tested for quality assurance purposes. If this product or material fails to perform in the accepted manner, the manufacturer will incur the expense of such testing and the AHJ may immediately revoke, modify, or suspend the use of such product or material within their jurisdiction. RER reserves the right to revoke this acceptance if it is determined by Miami-Dade County Product Control Section that this product or material fails to meet the requirements of the applicable building code.

This product is approved as described herein and has been designed to comply with the Florida Building Code, including the High Velocity Hurricane Zone.

**DESCRIPTION: Series "ES-5500" Aluminum Project Out Window – L.M.I.**

**APPROVAL DOCUMENT:** Drawing No. **W17-45**, titled "Series ES-5500 Project-Out Aluminum Wdw. (L.M.I.)", sheets 1 through 6 of 6, dated 04/20/17, with revision **D** dated 11/05/20, prepared by Al-Farooq Corporation, signed and sealed by Jalal Farooq, P.E., bearing the Miami-Dade County Product Control Revision stamp with the Notice of Acceptance number and expiration date by the Miami-Dade County Product Control Section.

**MISSILE IMPACT RATING: Large and Small Missile Impact Resistant**

**LABELING:** Each unit shall bear a permanent label with the manufacturer's name or logo, **Barranquilla, Colombia**, model/series, and following statement: "Miami-Dade County Product Control Approved", unless otherwise noted herein.

**RENEWAL** of this NOA shall be considered after a renewal application has been filed and there has been no change in the applicable building code negatively affecting the performance of this product.

**TERMINATION** of this NOA will occur after the expiration date or if there has been a revision or change in the materials, use, and/ or manufacture of the product or process. Misuse of this NOA as an endorsement of any product, for sales, advertising or any other purposes shall automatically terminate this NOA. Failure to comply with any section of this NOA shall be cause for termination and removal of NOA.

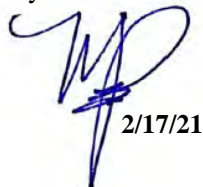
**ADVERTISEMENT:** The NOA number preceded by the words Miami-Dade County, Florida, and followed by the expiration date may be displayed in advertising literature. If any portion of the NOA is displayed, then it shall be done in its entirety.

**INSPECTION:** A copy of this entire NOA shall be provided to the user by the manufacturer or its distributors and shall be available for inspection at the job site at the request of the Building Official.

This NOA revises **NOA No. 17-0505.03** and consists of this page 1 and evidence pages E-1, E-2 and E-3, as well as approval document mentioned above.

The submitted documentation was reviewed by **Manuel Perez, P.E.**



  
2/17/21

NOA No. 20-1116.03  
Expiration Date: October 11, 2023  
Approval Date: February 25, 2021  
Page 1

**NOTICE OF ACCEPTANCE: EVIDENCE SUBMITTED**

**1. EVIDENCE SUBMITTED UNDER PREVIOUS NOA's**

**A. DRAWINGS**

1. Manufacturer's die drawings and sections.  
*(Submitted under NOA No. 17-0505.03)*
2. Drawing No. **W17-45**, titled "Series ES-5500 Project-Out Aluminum Wdw. (L.M.I.)", sheets 1 through 6 of 6, dated 04/20/17, with revision **C** dated 06/21/18, prepared by Al-Farooq Corporation, signed and sealed by Javad Ahmad, P.E.  
*(Submitted under NOA No. 17-0505.03)*

**B. TESTS**

1. Test reports on: 1) Air Infiltration Test, per FBC, TAS 202-94  
2) Uniform Static Air Pressure Test, Loading per FBC, TAS 202-94  
3) Water Resistance Test, per FBC, TAS 202-94  
4) Drop Load Test, per CPCS 16 CFR 1201 (Cat 11)  
5) Large Missile Impact Test per FBC, TAS 201-94  
6) Small Missile Impact Test per FBC, TAS 201-94  
7) Cyclic Wind Pressure Loading per FBC, TAS 203-94  
8) Forced Entry Test, per FBC 2411.3.2.1, and TAS 202-94  
along with marked-up drawings and installation diagram of a Project out aluminum window, prepared by Fenestration Testing Laboratory, Inc., Test Report No. **FTL-8320**, dated 03/07/2017, signed and sealed by Idalmis Ortega, P.E.  
*(Submitted under NOA No. 17-0505.03)*

**C. CALCULATIONS**

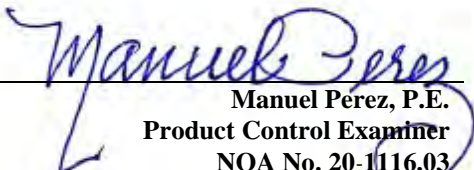
1. Anchor verification calculations and structural analysis, complying with **FBC 6<sup>th</sup> Edition (2017)**, dated 04/18/17 with revisions dated 04/19/18 and 06/20/18, prepared by Al-Farooq Corporation, signed and sealed by Javad Ahmad, P.E.  
*(Submitted under NOA No. 17-0505.03)*
2. Glazing complies with **ASTM E1300-09**

**D. QUALITY ASSURANCE**

1. Miami-Dade Department of Regulatory and Economic Resources (RER).

**E. MATERIAL CERTIFICATIONS**

1. NOA No. **17-0808.02** issued to **Kuraray America, Inc.** for their "**SentryGlas® (Clear and White) Glass Interlayers**" dated 12/28/17, expiring on 07/04/23.

  
Manuel Perez, P.E.  
Product Control Examiner  
NOA No. 20-1116.03  
Expiration Date: October 11, 2023  
Approval Date: February 25, 2021

**E.S. Windows, LLC**

**NOTICE OF ACCEPTANCE: EVIDENCE SUBMITTED**

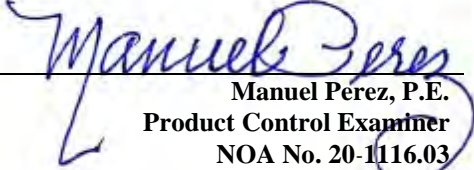
**1. EVIDENCE SUBMITTED UNDER PREVIOUS NOA's (CONTINUED)**

**F. STATEMENTS**

1. Statement letter of conformance, complying with **FBC 6<sup>th</sup> Edition (2017)**, and of no financial interest, dated June 20, 2018, issued by Al-Farooq Corporation, signed and sealed by Javad Ahmad, P.E.  
*(Submitted under NOA No. 17-0505.03)*
2. Distributor Agreement dated 08/01/18 between Energia Solar, S.A., Barranquilla, Columbia, S.A. and Tecnoglass, LLC, Miami, Florida, , signed by Ms. Carla Garcia, Int'l Sales Manager and MS. Evelyn Daes, General Manager on behalf of their respective companies.  
*(Submitted under NOA No. 17-0505.03)*
3. Proposal issued by Product Control Section, dated 10/16/14, signed by Jaime D. Gascon, P.E.  
*(Submitted under NOA No. 17-0505.03)*

**G. OTHERS**

1. None.

  
\_\_\_\_\_  
Manuel Perez, P.E.  
Product Control Examiner  
NOA No. 20-1116.03  
Expiration Date: October 11, 2023  
Approval Date: February 25, 2021

**NOTICE OF ACCEPTANCE: EVIDENCE SUBMITTED**

**2. NEW EVIDENCE SUBMITTED**

**A. DRAWINGS**

1. Drawing No. **W17-45**, titled “Series ES-5500 Project-Out Aluminum Wdw. (L.M.I.)”, sheets 1 through 6 of 6, dated 04/20/17, with revision **D** dated 11/05/20, prepared by Al-Farooq Corporation, signed and sealed by Jalal Farooq, P.E.

**B. TESTS**

1. None.

**C. CALCULATIONS**

1. Anchor verification calculations and structural analysis, complying with **FBC 6<sup>th</sup> Edition (2017)**, dated 04/18/17 with revisions dated 04/19/18 and 06/20/18, further updated on 10/30/20 to comply with **FBC 7<sup>th</sup> Edition (2020)**, prepared by Al-Farooq Corporation, signed and sealed by Jalal Farooq, P.E.
2. Glazing complies with **ASTM E1300-09**

**D. QUALITY ASSURANCE**

1. Miami-Dade Department of Regulatory and Economic Resources (RER)

**E. MATERIAL CERTIFICATIONS**

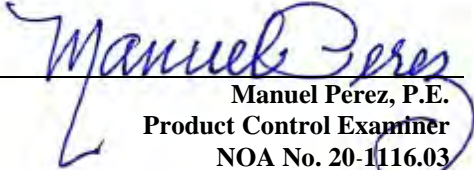
1. Notice of Acceptance No. **18-0725.11** issued to **Kuraray America, Inc.** for their “**Kuraray SentryGlas<sup>®</sup> Xtra<sup>™</sup> (SGX<sup>™</sup>) Clear Glass Interlayer**” dated 05/23/19, expiring on 05/23/24.

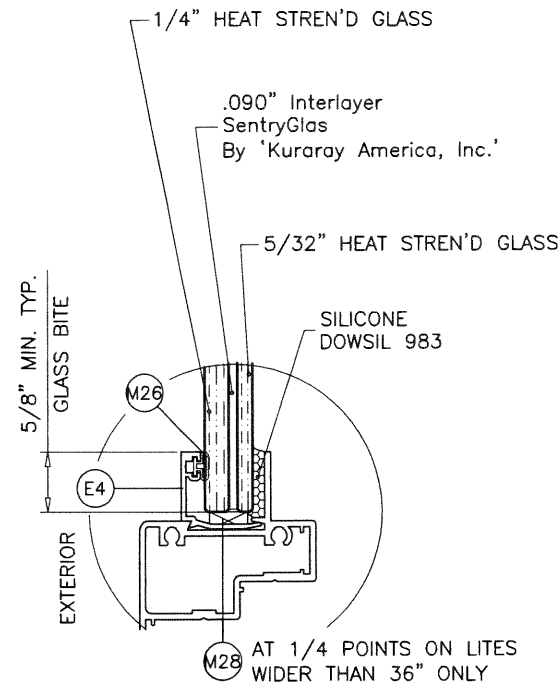
**F. STATEMENTS**

1. Statement letter of conformance, complying with **FBC 6<sup>th</sup> Edition (2017)**, with **FBC 7<sup>th</sup> Edition (2020)**, and of no financial interest, dated October 30, 2020, issued by Al-Farooq Corporation, signed and sealed by Jalal Farooq, P.E.

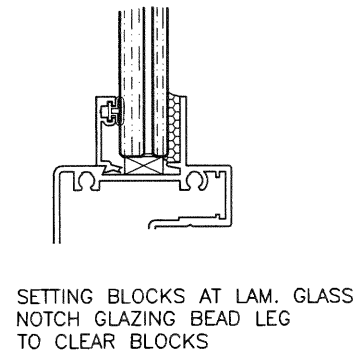
**G. OTHERS**

1. Notice of Acceptance No. **17-0505.03**, issued to E.S. Windows, LLC, for their Series “ES-5500” Aluminum Project Out Window – L.M.I., approved on 10/11/18 and expiring on 10/11/23.

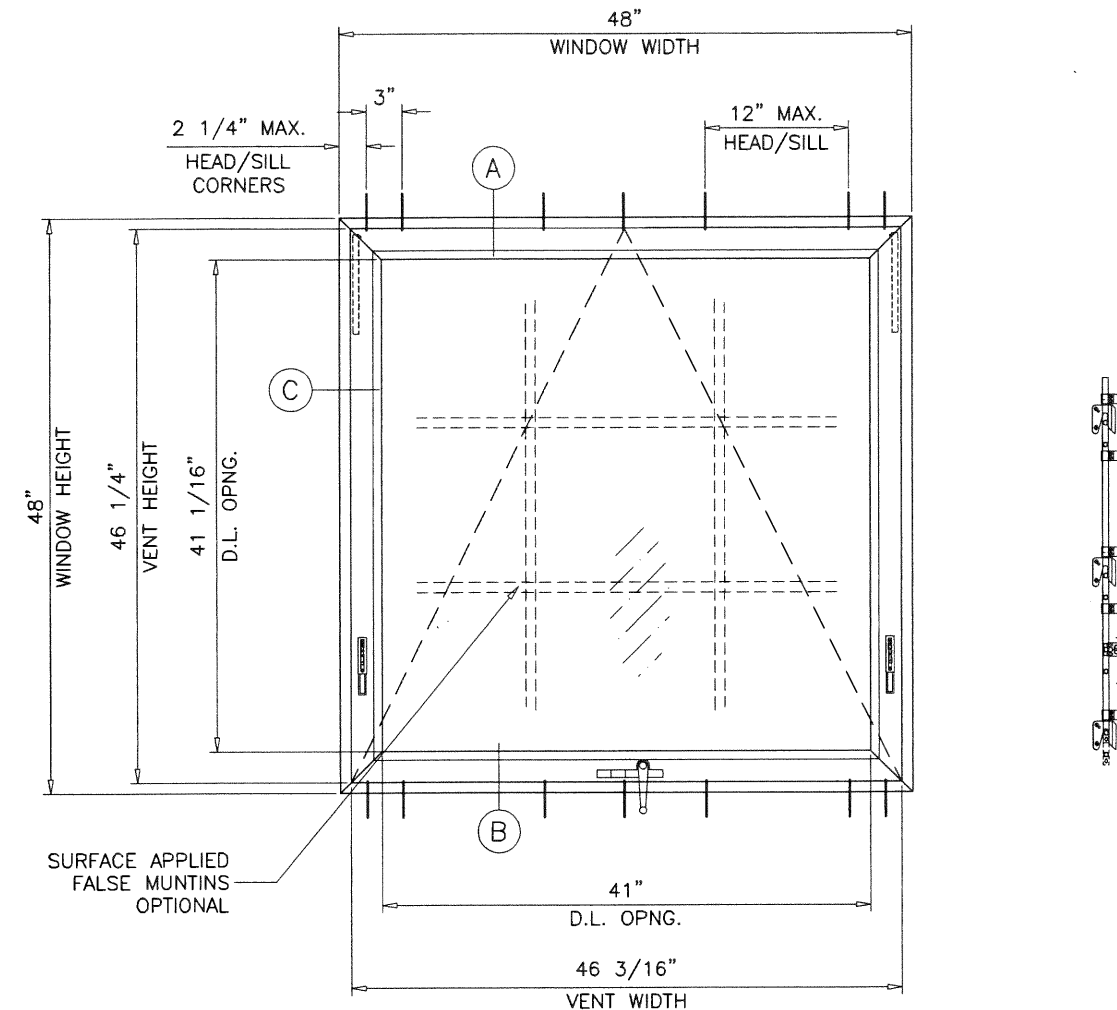
  
Manuel Perez, P.E.  
Product Control Examiner  
NOA No. 20-1116.03  
Expiration Date: October 11, 2023  
Approval Date: February 25, 2021



**GLAZING DETAIL**



SETTING BLOCKS AT LAM. GLASS NOTCH GLAZING BEAD LEG TO CLEAR BLOCKS



**TYPICAL ELEVATION**

MAXIMUM DESIGN LOAD RATING = + 100.0 PSF  
(FOR SIZE SHOWN ABOVE OR SMALLER) - 125.0 PSF

**ES-5500  
PROJECT-OUT ALUMINUM WINDOW (L.M.I.)**

APPROVAL APPLIES TO SINGLE UNITS OR SIDE BY SIDE COMBINATIONS OF P.O./P.O. OR PROJECT OUT WITH OTHER WINDOW TYPES IN MODULES OF TWO OR MORE WINDOWS USING MIAMI-DADE COUNTY APPROVED MULLIONS IN BETWEEN. LOWER DESIGN PRESSURE FROM WINDOWS OR MULLION APPROVAL WILL APPLY TO ENTIRE SYSTEM.

THIS PRODUCT HAS BEEN DESIGNED AND TESTED TO COMPLY WITH THE REQUIREMENTS OF THE 2017 (6TH EDITION)/2020 (7TH EDITION) FLORIDA BUILDING CODE INCLUDING HIGH VELOCITY HURRICANE ZONE (HVHZ).

1BY OR 2BY WOOD BUCKS & BUCK FASTENERS BY OTHERS, MUST BE DESIGNED AND INSTALLED ADEQUATELY TO TRANSFER APPLIED PRODUCT LOADS TO THE BUILDING STRUCTURE.

ANCHORS SHALL BE CORROSION RESISTANT, SPACED AS SHOWN ON DETAILS AND INSTALLED PER MANUF'S INSTRUCTIONS. SPECIFIED EMBEDMENT TO BASE MATERIAL SHALL BE BEYOND WALL DRESSING OR STUCCO.

A LOAD DURATION INCREASE IS USED IN DESIGN OF ANCHORS INTO WOOD ONLY.

ALL SHIMS TO BE HIGH IMPACT, NON-METALLIC AND NON-COMPRESSIBLE.

MATERIALS INCLUDING BUT NOT LIMITED TO STEEL/METAL SCREWS, THAT COME INTO CONTACT WITH OTHER DISSIMILAR MATERIALS SHALL MEET THE REQUIREMENTS OF THE 2017/2020 FLORIDA BLDG. CODE & ADOPTED STANDARDS.

THIS PRODUCT APPROVAL IS GENERIC AND DOES NOT PROVIDE INFORMATION FOR A SITE SPECIFIC PROJECT, i.e. LIFE SAFETY OF THIS PRODUCT, ADEQUACY OF STRUCTURE RECEIVING THIS PRODUCT AND SEALING AROUND OPENING FOR WATER INFILTRATION RESISTANCE ETC. CONDITIONS NOT SHOWN IN THIS DRAWING ARE TO BE ANALYZED SEPARATELY, AND TO BE REVIEWED BY BUILDING OFFICIAL.

DESIGN LOADS SHOWN ARE BASED ON 'ALLOWABLE STRESS DESIGN (ASD)'.

NOTE:  
GLASS CAPACITIES ON THIS SHEET ARE BASED ON ASTM E1300-09 (3 SEC. GUSTS) AND FLORIDA BUILDING COMMISSION DECLARATORY STATEMENT DCA05-DEC-219

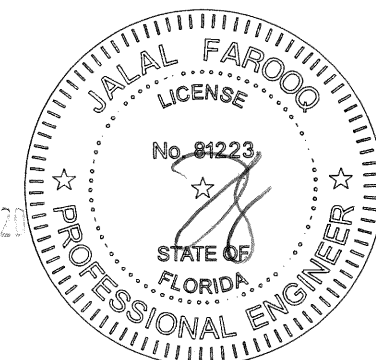
THESE WINDOWS ARE RATED FOR LARGE & SMALL MISSILE IMPACT. SHUTTERS ARE NOT REQUIRED.

PRODUCT COMPLIES WITH REQUIREMENTS OF ANSI Z97.1. SAFEGUARD REQUIREMENTS TO BE VERIFIED.

PRODUCT REVISED  
as complying with the Florida Building Code  
NOA-No. 20-1116.03  
Expiration Date: 10/11/2023

By: *Manuel Perez*  
Miami-Dade Product Control

NOV 10 2021



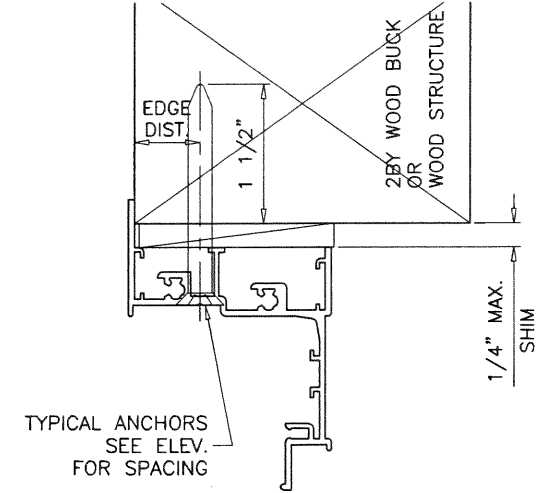
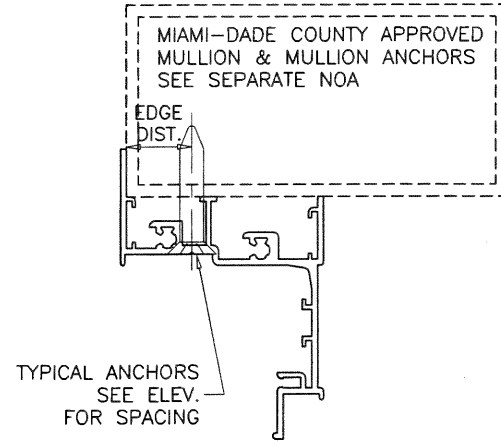
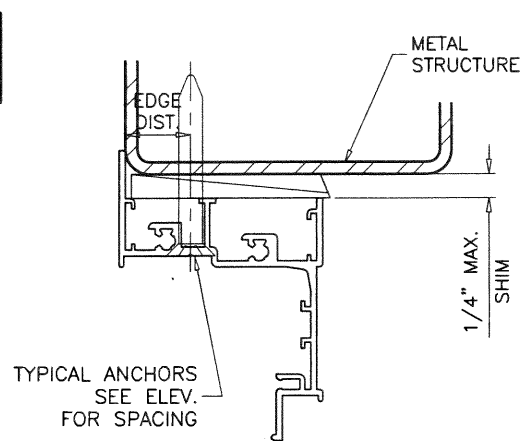
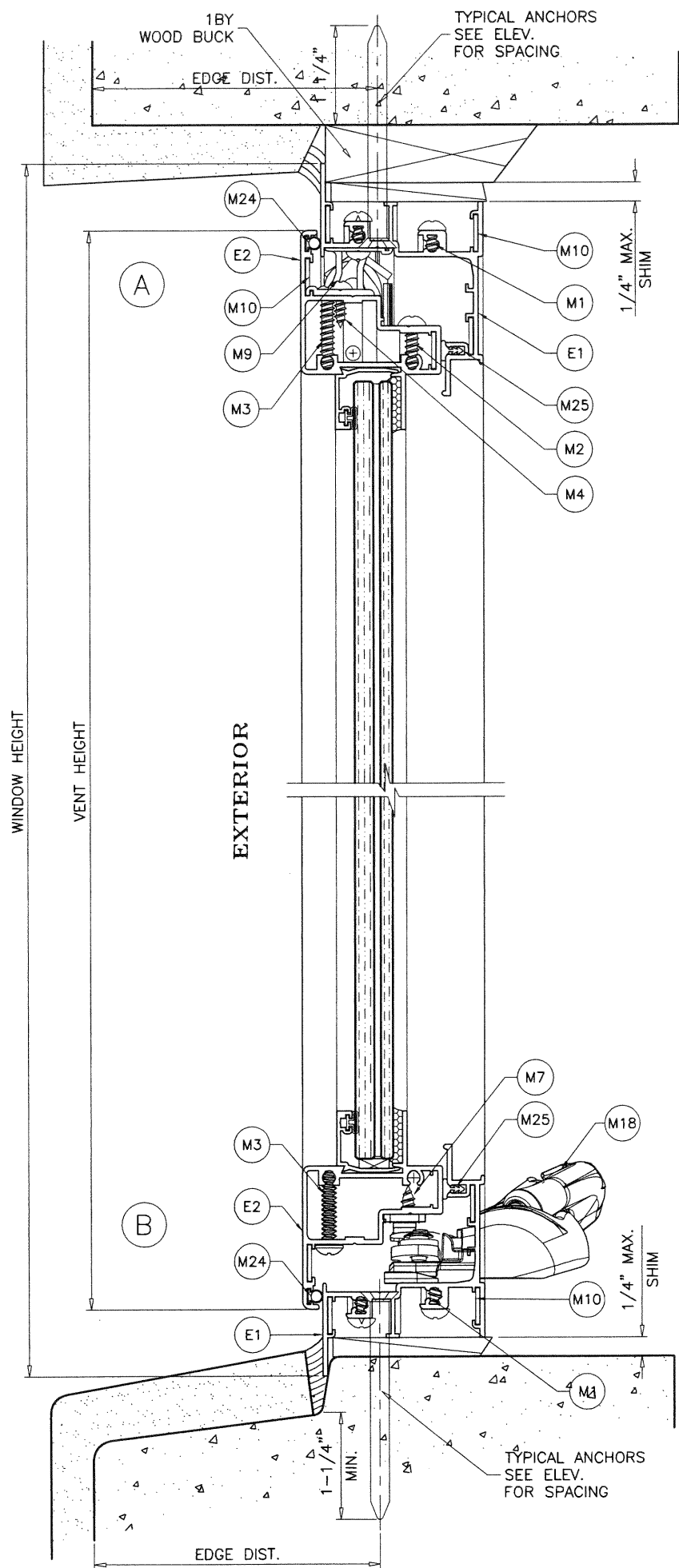
**afC**  
**AL-FAROOQ CORPORATION**  
ENGINEERS & PRODUCT DEVELOPMENT  
9360 SUNSET DRIVE, SUITE 220  
MIAMI, FLORIDA 33173 (C.A.N. 3538)  
TEL. (305) 264-8100 FAX. (305) 262-6978  
COMP-ANL\W17-45ES

ES-5500 PROJECT-OUT ALUMINUM WDW. (L.M.I.)  
**E.S. WINDOWS, LLC**  
3550 N.W. 49 STREET  
MIAMI, FL. 33142  
TEL. (305) 638-5151 FAX. (305) 638-5158

revisions:	no	date	by	description
	A	10.30.17	REV. PER PER	COMMENTS
	B	04.19.18	REV. PER PER	COMMENTS
	C	06.21.18	NO CHANGE	THIS SHEET
	D	11.05.20	UPDATED TO	2020 FBC

date: 04-20-17  
scale: 3/4"=1'-0"  
dr. by: TARIQ  
chk. by:

drawing no.  
**W17-45**  
sheet 1 of 6



WOOD BUCKS AND METAL STRUCTURE NOT BY 'E.S. WDW.' MUST SUSTAIN LOADS IMPOSED BY GLAZING SYSTEM AND TRANSFER THEM TO THE BUILDING STRUCTURE.

**TYPICAL ANCHORS:** SEE ELEV. FOR SPACING

**1/4" DIA. ULTRACON+ BY 'DEWALT'** (Fu=164 KSI, Fy=148 KSI) INTO 2BY WOOD BUCKS OR WOOD STRUCTURES 1-1/2" MIN. PENETRATION INTO WOOD (HEAD/SILL)

THRU 1BY BUCKS INTO CONCRETE 1-1/4" MIN. EMBED INTO CONCRETE (HEAD/SILL)

DIRECTLY INTO CONCRETE 1-1/4" MIN. EMBED INTO CONCRETE (HEAD/SILL)

**1/4" DIA. TEKS OR SELF DRILLING SCREWS** (GRADE 5 CRS) INTO MIAMI-DADE COUNTY APPROVED MULLIONS OR INTO METAL STRUCTURES (HEAD/SILL)

(3) THREADS MIN. PENETRATION BEYOND SUBSTRATE ALUMINUM: 1/8" THK. MIN. (6063-T5 MIN.) STEEL: 1/8" THK. MIN. (Fy = 36 KSI MIN.) (STEEL IN CONTACT WITH ALUMINUM TO BE PLATED OR PAINTED)

**TYPICAL EDGE DISTANCE**

INTO CONCRETE = 2-1/2" MIN.  
INTO WOOD STRUCTURE = 11/16" MIN.  
INTO METAL STRUCTURE = 11/16" MIN.

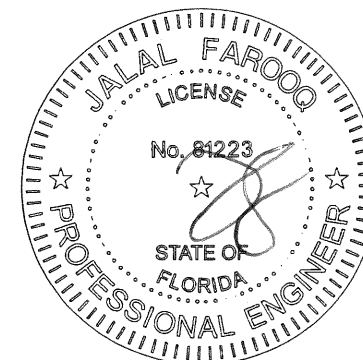
WOOD AT HEAD OR SILL SG = 0.55 MIN.  
CONCRETE AT HEAD OR SILL f'c = 3000 PSI MIN.

PRODUCT REVISED as complying with the Florida Building Code

NOA-No. 20-1116.03  
Expiration Date: 10/11/2023

By: *Manuel Bern*  
Miami-Dade Product Control

NOV 10 2020



**AL-FAROOQ CORPORATION**  
ENGINEERS & PRODUCT DEVELOPMENT  
9360 SUNSET DRIVE, SUITE 220  
MIAMI, FLORIDA 33173  
TEL. (305) 264-8100 FAX. (305) 262-6978  
COMP-ANL \ W17-45ES

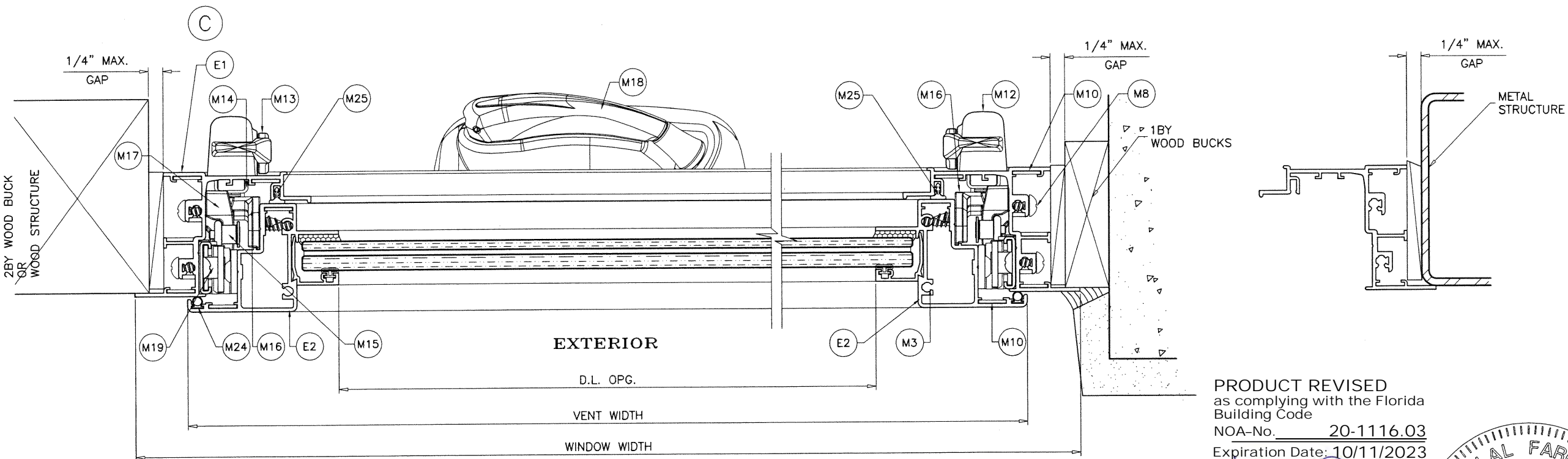
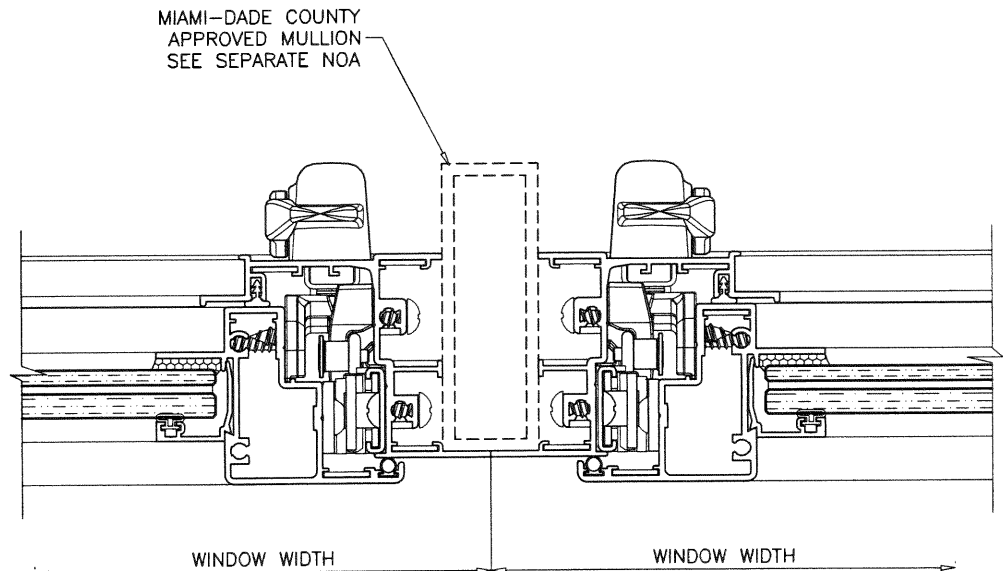
ES-5500 PROJECT-OUT ALUMINUM WDW. (L.M.I.)

**E.S. WINDOWS, LLC**  
3550 N.W. 49 STREET  
MIAMI, FL. 33142  
TEL. (305) 638-5151 FAX. (305) 638-5156

no	date	description
A	10.30.17	REV. PER PER COMMENTS
B	04.19.18	REV. PER PER COMMENTS
C	06.21.18	NO CHANGE THIS SHEET
D	11.05.20	UPDATED TO 2020 FBC

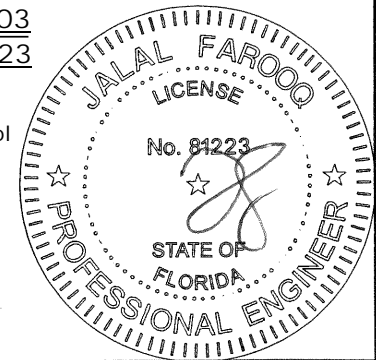
date: 04-20-17  
scale: 1/2" = 1"  
dr. by: TARIQ  
chk. by:

drawing no. **W17-45**  
sheet 2 of 6



PRODUCT REVISED  
 as complying with the Florida  
 Building Code  
 NOA-No. 20-1116.03  
 Expiration Date: 10/11/2023  
 By: *Manuel Fern*  
 Miami-Dade Product Control

NOV 10 2020



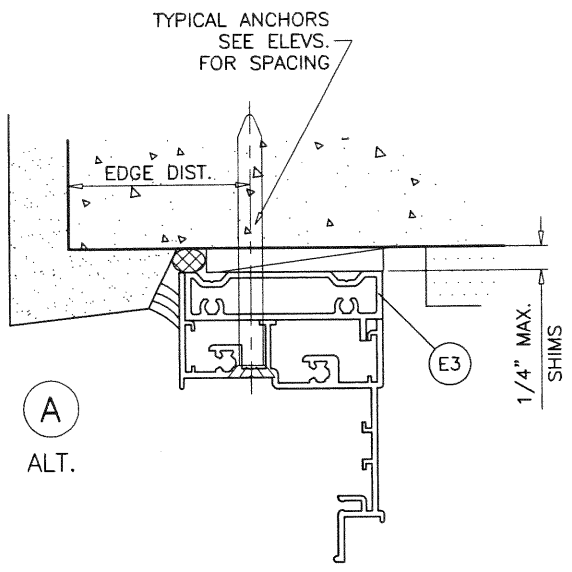
**af c**  
**AL-FAROOQ CORPORATION**  
 ENGINEERS & PRODUCT DEVELOPMENT  
 9360 SUNSET DRIVE, SUITE 220  
 MIAMI, FLORIDA 33173 (C.A.N. 3538)  
 TEL. (305) 264-8100 FAX. (305) 262-6978  
 COMP-ANL\W17-4BES

ES-5500 PROJECT-OUT ALUMINUM WDW. (L.M.I.)  
**E.S. WINDOWS, LLC**  
 3550 N.W. 49 STREET  
 MIAMI, FL. 33142  
 TEL. (305) 638-5151 FAX. (305) 638-5158

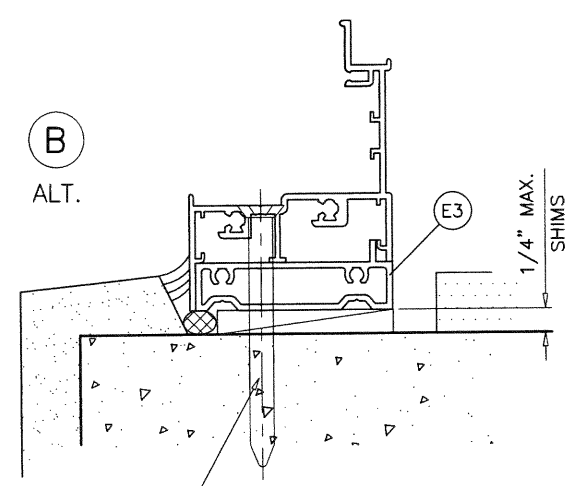
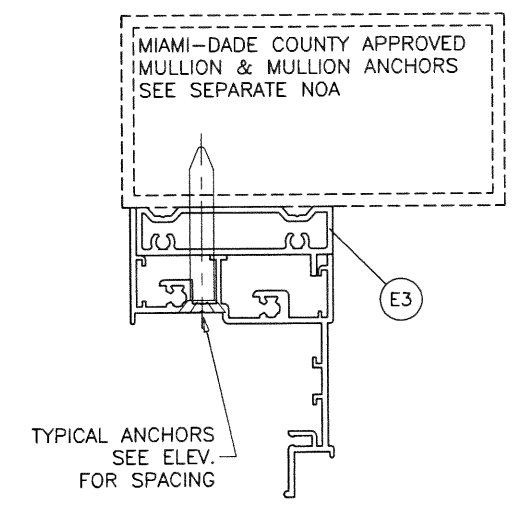
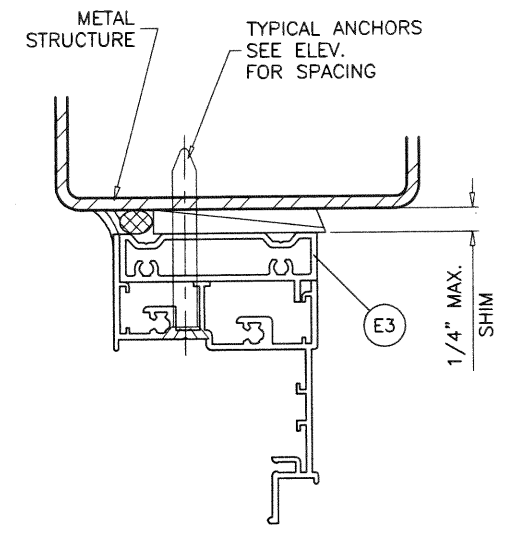
no	date	description
A	10.30.17	REV. PER RER COMMENTS
B	04.19.18	REV. PER RER COMMENTS
C	06.21.18	NO CHANGE THIS SHEET
D	11.05.20	UPDATED TO 2020 FBC

date: 04-20-17  
 scale: 1/2" = 1"  
 dr. by: TARIO  
 chk. by:

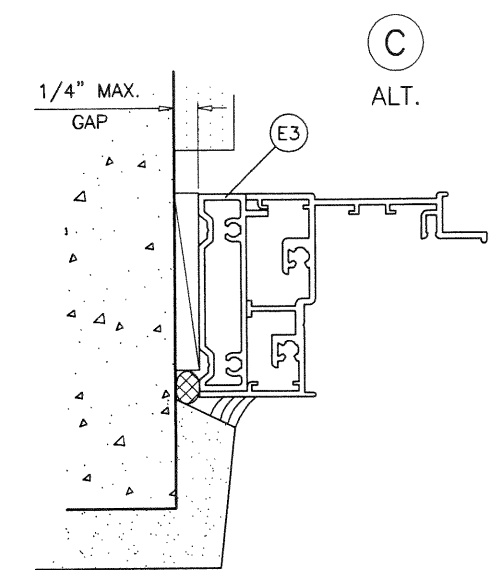
drawing no.  
**W17-45**  
 sheet 3 of 6



A  
ALT.



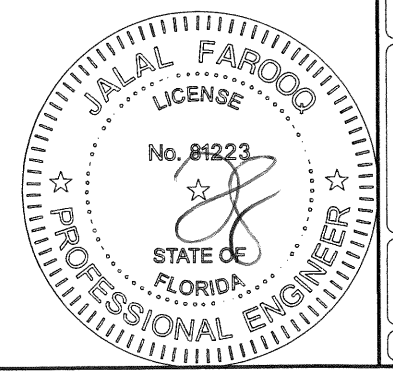
B  
ALT.



C  
ALT.

PRODUCT REVISED  
as complying with the Florida  
Building Code  
NOA-No. 20-1116.03  
Expiration Date: 10/11/2023  
By: Manuel Ferrer  
Miami-Dade Product Control

NOV 10 2020



INSTALLATION DETAILS WITH FLUSH FRAME ADAPTER

**afc**  
**AL-FAROOQ CORPORATION**  
ENGINEERS & PRODUCT DEVELOPMENT  
9360 SUNSET DRIVE, SUITE 220 (C.A.N. 3538)  
MIAMI, FLORIDA 33173  
TEL. (305) 264-9100 FAX. (305) 262-6978  
COMP-ANL\W17-45ES

ES-5500 PROJECT-OUT ALUMINUM WDW. (L.M.I.)  
**E.S. WINDOWS, LLC**  
3550 N.W. 49 STREET  
MIAMI, FL. 33142  
TEL. (305) 638-5151 FAX. (305) 638-5158

no	date	by	description
A	10.30.17		NO CHANGE THIS SHEET
B	04.19.18		REV. PER RER COMMENTS
C	06.21.18		NO CHANGE THIS SHEET
D	11.05.20		UPDATED TO 2020 FBC

date: 04-20-17  
scale: 1/2" = 1"  
dr. by: TARIQ  
chk. by:

drawing no.  
**W17-45**  
sheet 4 of 6



ITEM #	PART #	REQD.	DESCRIPTION	MATERIAL	MANF./SUPPLIER/REMARKS
E1	ES-5001	4	FRAME	6063-T6	-
E2	ES-5002	4	VENT	6063-T6	-
E3	ES-5017	AS REQD.	FLUSH FRAME ADAPTER	6063-T6	-
E4	ES-1017	4	GLAZING BEAD (LAM. GLASS)	6063-T6	-
M1	#10 X 1"	2/ CORNER	FRAME ASSEMBLY SCREWS	ST. STEEL	PH SMS
M2	#10 X 1-1/4"	1/ CORNER	VENT ASSEMBLY SCREWS	ST. STEEL	PH SMS
M3	#10 X 1-1/2"	1/ CORNER	VENT ASSEMBLY SCREWS	ST. STEEL	PH SMS
M4	#8 X 1/2"	AS REQD.	SNUBBER FASTENERS	ST. STEEL	PH SMS
M4A	#10 X 1/2"	6/ HINGE	HINGE INSTALLATION SCREWS	ST. STEEL	PH SMS
M4B	#10 X 1/2"	2/ KEEPER	KEEPER INSTALLATION SCREWS	ST. STEEL	PH SMS
M5	#8 X 1/2"	-	CLAP WASHER FASTENERS	ST. STEEL	PH MS
M6	#6 X 1/2"	-	SCREEN HOLDER FASTENERS	ST. STEEL	FH SMS
M7	#8 X 1/2"	8	OPERATOR FASTENERS	ST. STEEL	FH SMS
M8	#10 X 1-1/4"	2	BAR GUIDE FASTENERS	ST. STEEL	FH SMS
M8B	#8 X 1/2"	8	PLATE FASTENERS	ST. STEEL	FH SMS
M9	WS-100 (ES-5004)	AS REQD.	SNUBBER	DIE CAST ALUM	-
M10	PJS43-SS	AS REQD.	CORNER KEY	ST. STEEL	-
M11	CL01-0475	-	MULTI POINT LOCKING HANDLE	DIE CAST ZINC	-
M12	CL02-2045	-	SNAP ON COVER	DIE CAST ZINC	-
M13	CL02-1020	-	SNAP ON HANDLE	PLASTIC	-
M14	CL01-4001	-	CLAMP WASHER	ST. STEEL	-
M15	CL02-0021	-	LOCK BAR	ST. STEEL	-
M16	CL02-2036	-	LOCK KEEPER	ACETAL	-
M17	CL02-2027	3/ JAMB	BAR GUIDE, AT 8", 12-3/4" & 20-1/4" FROM BOTTOM	ACETAL	-
M18	C011-0605	-	COVER OPERATOR HANDLE	-	-
M19	AMC-320	2	4 BAR HINGE	ST. STEEL	AMC MANUFACTURING
M20	C011-0651-000	-	OPERATOR SPACER	-	-
M21	C011-2202	-	OPERATOR SPACER	-	-
M22	C011-2322	-	OPERATOR BRACKET	-	-
M23	C011-0451-085	-	AWNING OPERATOR	-	-
M24	E206	AS REQD.	OUTER W'STRIPPING	EPDM	DUROMETER 60±5 SHORE A
M25	ES5005	AS REQD.	INNER W'STRIPPING	EPDM	DUROMETER 60±5 SHORE A
M26	ES-5008 (27-425)	AS REQD.	GLAZING GASKET	EPDM	DUROMETER 70±5 SHORE A
M28	ES-9000-B01(80-341)	2/ LITE	SETTING BLOCKS	EPDM	DUROMETER 80±5 SHORE A

**SEALANTS:**

ALL FRAME AND VENT CORNERS AND INSTALLATION SCREWS SEALED WITH CLEAR/ALUMINUM COLORED SEALANT.

**LOCKS:**

SURFACE MOUNT METALLIC THREE POINT LOCK SYSTEM WITH ACTIVATING LEVER TYPE CAM LOCKS LOCATED AT 10" FROM BOTTOM AT FRAME JAMBS FASTENED WITH (2) #8-32 X 1/2" PH SMS

SURFACE MOUNT NYLON KEEPERS LOCATED AT 5", 16" AND 22-1/2" FROM BOTTOM AT VENT JAMB RAILS EACH FASTENED WITH (2) #8 X 1/2" FH SMS

**HINGES:**

SURFACE MOUNT METALLIC 4 BAR HINGES BY 'ADVANTAGE MFG. CORP.' LOCATED AT WINDOW FRAME UPPER CORNERS FASTENED TO FRAME WITH (3) #10 X 1/2" PH SMS FASTENED TO VENT WITH (4) #10 X 1/2" PH SMS

**ANTI BLOW OUT CLIPS:**

1-1/2" LONG ALUMINUM ANTI BLOW OUT CLIPS AT FRAME HEAD AND VENT TOP RAIL LOCATED AT 11-1/2" FROM EACH END FASTENED WITH (2) #8 X 1/2" FPH SMS

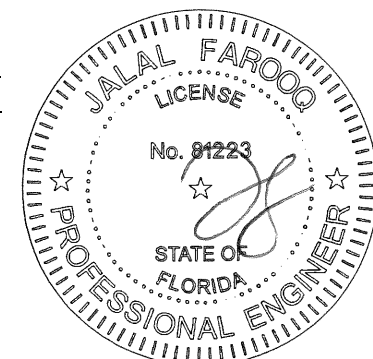
**OPERATOR:**

SURFACE MOUNT METALLIC ROTO OPERATOR LOCATED AT MIDSPAN OF FRAME SILL FASTENED WITH (6) #8 X 3/4" FH SMS

SURFACE MOUNT 2-3/8" LONG NYLON OPERATOR TRACK LOCATED AT MIDSPAN OF BOTTOM RAIL FASTENED WITH (2) #8 X 1/2" FH SMS

PRODUCT REVISED  
as complying with the Florida  
Building Code  
NOA-No. 20-1116.03  
Expiration Date: 10/11/2023  
By: *Manuel Fern*  
Miami-Dade Product Control

NOV 10 2020



**af c**  
**AL-FAROOQ CORPORATION**  
ENGINEERS & PRODUCT DEVELOPMENT  
9360 SUNSET DRIVE, SUITE 220  
MIAMI, FLORIDA 33173 (C.A.N. 3538)  
TEL. (305) 264-8100 FAX. (305) 262-6978

ES-5500 PROJECT-OUT ALUMINUM WDW. (L.M.I.)  
**E.S. WINDOWS, LLC**  
3550 N.W. 49 STREET  
MIAMI, FL. 33142  
TEL. (305) 638-5151 FAX. (305) 638-5158

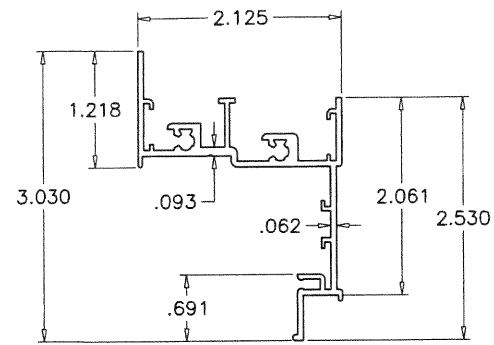
revisions:	no	date	by	description
	A	10.30.17		REV. PER RER COMMENTS
	B	04.19.18		REV. PER RER COMMENTS
	C	06.21.18		REV. PER RER COMMENTS
	D	11.05.20		UPDATED TO 2020 FBC

date: 04-20-17  
scale: 1/2" = 1"  
dr. by: TARIQ  
chk. by:

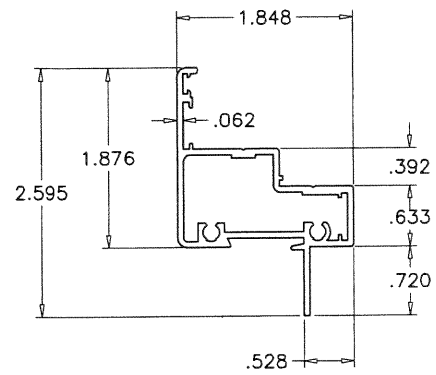
drawing no.  
**W17-45**

sheet 5 of 6

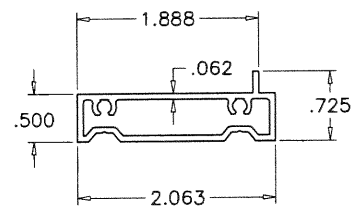
COMP-ANL\W17-45ES



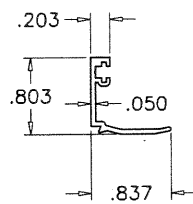
E1 FRAME



E2 VENT

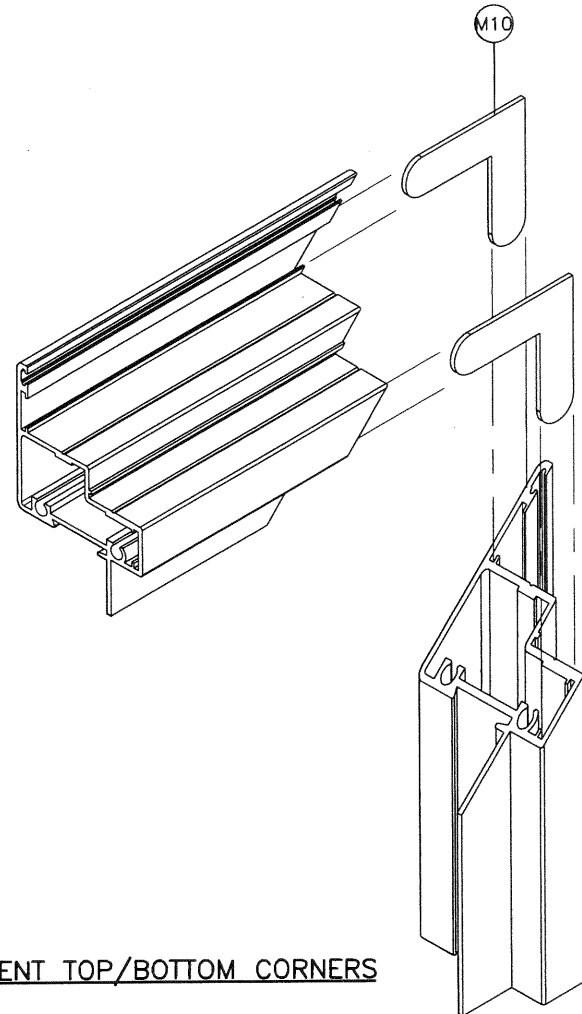


E3 FLUSH FRAME ADAPTER

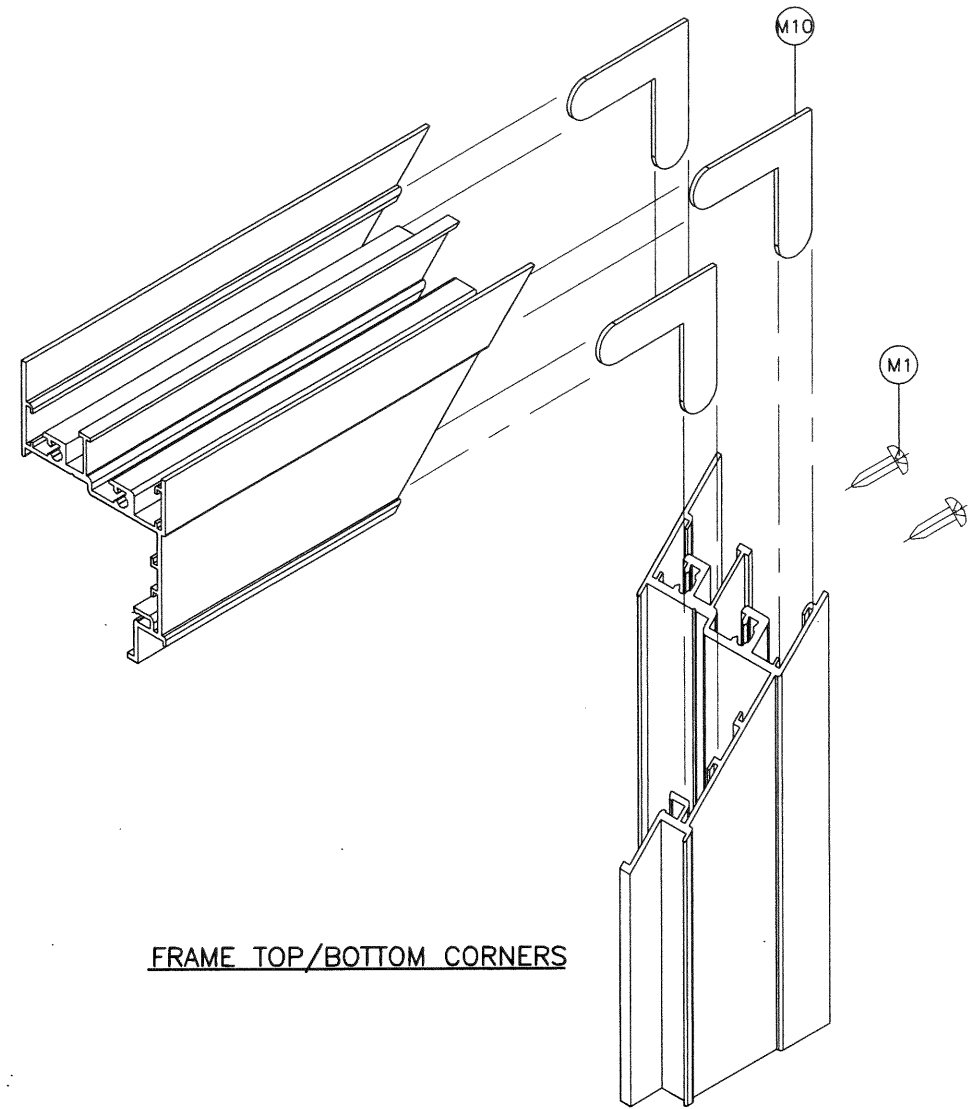


E4 GLAZING STOP (LAM. GLASS)

VENT TOP/BOTTOM CORNERS

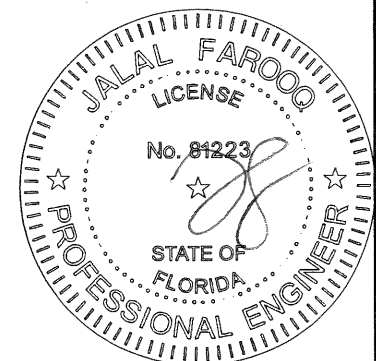


FRAME TOP/BOTTOM CORNERS



PRODUCT REVISED  
 as complying with the Florida  
 Building Code  
 NOA-No. 20-1116.03  
 Expiration Date: 10/11/2023  
 By: *Manuel Perez*  
 Miami-Dade Product Control

NOV 10 2020



**af c**  
**AL-FAROOQ CORPORATION**  
 ENGINEERS & PRODUCT DEVELOPMENT  
 9360 SUNSET DRIVE, SUITE 220 (C.A.N. 3538)  
 MIAMI, FLORIDA 33173 TEL. (305) 262-6978  
 TEL. (305) 264-8100 FAX. (305) 262-6978  
 COMP-ANL \ W17-45ES

ES-5500 PROJECT-OUT ALUMINUM WDW. (L.M.I.)  
**E.S. WINDOWS, LLC**  
 3550 N.W. 49 STREET  
 MIAMI, FL. 33142  
 TEL. (305) 638-5151 FAX. (305) 638-5158

no	date	by	description
A	10.30.17	REV. PER RER	COMMENTS
B	04.19.18	REV. PER RER	COMMENTS
C	06.21.18	NO CHANGE	THIS SHEET
D	11.05.20	UPDATED TO	2020 FBC

revisions:

date: 04-20-17  
 scale: 1/2" = 1"  
 dr. by: TARIQ  
 chk. by:

drawing no.  
**W17-45**  
 sheet 6 of 6