



MIAMI-DADE COUNTY  
PRODUCT CONTROL SECTION

11805 SW 26 Street, Room 208  
Miami, FL 33175

T (786) 315-2590 F (786) 315-2599

DEPARTMENT OF REGULATORY AND ECONOMIC RESOURCES (RER)  
BOARD AND CODE ADMINISTRATION DIVISION

[www.miamidade.gov/economy](http://www.miamidade.gov/economy)

**NOTICE OF ACCEPTANCE (NOA)**

**Eco Window Systems, LLC**  
**8502 NW 80 Street**  
**Medley, FL 33166**

**SCOPE:**

This NOA is being issued under the applicable rules and regulations governing the use of construction materials. The documentation submitted has been reviewed and accepted by Miami-Dade County RER-Product Control Section to be used in Miami-Dade County and other areas where allowed by the Authority Having Jurisdiction (AHJ).

This NOA shall not be valid after the expiration date stated below. The Miami-Dade County Product Control Section (In Miami-Dade County) and/ or the AHJ (in areas other than Miami-Dade County) reserve the right to have this product or material tested for quality assurance purposes. If this product or material fails to perform in the accepted manner, the manufacturer will incur the expense of such testing and the AHJ may immediately revoke, modify, or suspend the use of such product or material within their jurisdiction. RER reserves the right to revoke this acceptance, if it is determined by Miami-Dade County Product Control Section that this product or material fails to meet the requirements of the applicable building code.

This product is approved as described herein, and has been designed to comply with the Florida Building Code, including the High Velocity Hurricane Zone.

**DESCRIPTION: Series "Eco-Guard 550" Aluminum Fixed Window - L.M.I.**

**APPROVAL DOCUMENT:** Drawing No. **W11-10**, titled "S-550 Aluminum Fixed Window (L.M.I.)", sheets 1 through 6 of 6, dated 02/28/11, with revision **F** dated 11/05/2020, prepared by Al-Farooq Corporation, signed and sealed by Jalal Farooq, P.E., bearing the Miami-Dade County Product Control Revision stamp with the Notice of Acceptance number and expiration date by the Miami-Dade County Product Control Section.

**MISSILE IMPACT RATING: Large and Small Missile Impact Resistant**

**LABELING:** Each unit shall bear a permanent label with the manufacturer's name or logo, city, state, series, and following statement: "Miami-Dade County Product Control Approved", unless otherwise noted herein.

**RENEWAL** of this NOA shall be considered after a renewal application has been filed and there has been no change in the applicable building code negatively affecting the performance of this product.

**TERMINATION** of this NOA will occur after the expiration date or if there has been a revision or change in the materials, use, and/ or manufacture of the product or process. Misuse of this NOA as an endorsement of any product, for sales, advertising or any other purposes shall automatically terminate this NOA. Failure to comply with any section of this NOA shall be cause for termination and removal of NOA.

**ADVERTISEMENT:** The NOA number preceded by the words Miami-Dade County, Florida, and followed by the expiration date may be displayed in advertising literature. If any portion of the NOA is displayed, then it shall be done in its entirety.

**INSPECTION:** A copy of this entire NOA shall be provided to the user by the manufacturer or its distributors and shall be available for inspection at the job site at the request of the Building Official.

This NOA **revises and renews NOA No. 17-1011.20** and consists of this page 1 and evidence pages E-1 and E-2, as well as approval document mentioned above.

The submitted documentation was reviewed by **Sifang Zhao, P.E.**



*S.Z.*

02/05/2021

**NOA No. 20-1119.02**  
**Expiration Date: May 05, 2026**  
**Approval Date: February 05, 2021**  
Page 1

**Eco Window Systems, LLC.**

**NOTICE OF ACCEPTANCE: EVIDENCE SUBMITTED**

**1. EVIDENCE SUBMITTED UNDER PREVIOUS NOA's**

**A. DRAWINGS**

1. Manufacturer's die drawings and sections. *(Submitted under NOA No. 11-0309.07)*
2. Drawing No. **W11-10**, titled "S-550 Aluminum Fixed Window (L.M.I.)", sheets 1 through 6 of 6, dated 02/28/11, with revision **E** dated 09/27/17, prepared by Al-Farooq Corporation, signed and sealed by Javad Ahmad, P.E.

**B. TESTS**

1. Test reports on: 1) Air Infiltration Test, per FBC, TAS 202-94  
2) Uniform Static Air Pressure Test, Loading per FBC TAS 202-94  
3) Water Resistance Test, per FBC, TAS 202-94  
along with marked-up drawings and installation diagram of an aluminum fixed window, prepared by Hurricane Engineering and Testing, Inc., Test Report No. **HETI-10-3145**, dated 12/29/10, signed and sealed by Candido F. Font, P.E. *(Submitted under NOA No. 11-0309.07)*
2. Test reports on: 1) Large Missile Impact Test per FBC, TAS 201-94  
2) Cyclic Wind Pressure Loading per FBC, TAS 203-94  
along with marked-up drawings and installation diagram of an aluminum fixed window, prepared by Hurricane Engineering and Testing, Inc., Test Reports No. **HETI-10-3146**, **HETI-10-3147** and **HETI-10-3149**, all dated 12/29/10, signed and sealed by Candido F. Font, P.E. *(Submitted under NOA No. 11-0309.07)*
3. Test reports on: 1) Uniform Static Air Pressure Test, Loading per FBC TAS 202-94  
along with marked-up drawings and installation diagram of an aluminum fixed window, prepared by Hurricane Engineering and Testing, Inc., Test Report No. **HETI-10-3148**, dated 12/29/10, signed and sealed by Candido F. Font, P.E. *(Submitted under NOA No. 11-0309.07)*

**C. CALCULATIONS**

1. Anchor verification calculations and structural analysis, complying with **FBC 5<sup>th</sup> Edition (2014)**, prepared by Al-Farooq Corporation, dated 03/27/15 and 06/23/15, signed and sealed by Javad Ahmad, P.E.
2. Glazing complies with **ASTM E1300-09**

**D. QUALITY ASSURANCE**

1. Miami-Dade Department of Regulatory and Economic Resources (RER)

**E. MATERIAL CERTIFICATIONS**

1. Notice of Acceptance No. **14-0916.10** issued to **Kuraray America, Inc.** for their "**Kuraray Butacite® PVB Glass Interlayer**" dated 04/25/15, expiring on 12/11/16.



---

Sifang Zhao, P.E.  
Product Control Examiner  
NOA No. 20-1119.02  
Expiration Date: May 05, 2026  
Approval Date: February 05, 2021

Eco Window Systems, LLC.

NOTICE OF ACCEPTANCE: EVIDENCE SUBMITTED

**F. STATEMENTS**

1. Statement letter of conformance, complying with **FBC 5<sup>th</sup> Edition (2014)**, with **FBC 6<sup>th</sup> Edition (2017)**, and of no financial interest, dated September 15, 2017, prepared by Al-Farooq Corporation, signed and sealed by Javad Ahmad, P.E.
2. Laboratory compliance letters for Test Reports No. **HETI-10-3145, HETI-10-3146, HETI-10-3147, HETI-10-3148** and **HETI-10-3149**, all issued by Hurricane Engineering and Testing, Inc., dated 12/29/10, signed and sealed by Candido F. Font, P.E. (*Submitted under NOA No. 11-0309.07*)

**G. OTHERS**

1. Notice of Acceptance No. **15-0406.11**, issued to Eco Window Systems, LLC for their Series “Eco-Guard 550” Aluminum Fixed Window – L.M.I., approved on 07/02/2015 and expiring on 05/05/21.

**2. NEW EVIDENCE SUBMITTED**

**A. DRAWINGS**

1. Drawing No. **W11-10**, titled “S-550 Aluminum Fixed Window (L.M.I.)”, sheets 1 through 6 of 6, dated 02/28/11, with revision **F** dated 11/05/2020, prepared by Al-Farooq Corporation, signed and sealed by Jalal Farooq, P.E.

**B. TESTS**

1. None.

**C. CALCULATIONS**

1. None

**D. QUALITY ASSURANCE**

1. Miami-Dade Department of Regulatory and Economic Resources (RER).

**E. MATERIAL CERTIFICATIONS**

1. NOA No. **20-0915.22** issued to **Kuraray America, Inc.** for their “**Trosifol® Ultraclear, Clear and Color PVB Interlayers**”, expiring on 07/08/19.

**F. STATEMENTS**

1. Statement letter of conformance, complying with **FBC 6<sup>th</sup> Edition (2017)**, with **FBC 7<sup>th</sup> Edition (2020)**, and of no financial interest, dated 11/05/2020, prepared by Al-Farooq Corporation, signed and sealed by Jalal Farooq, P.E.

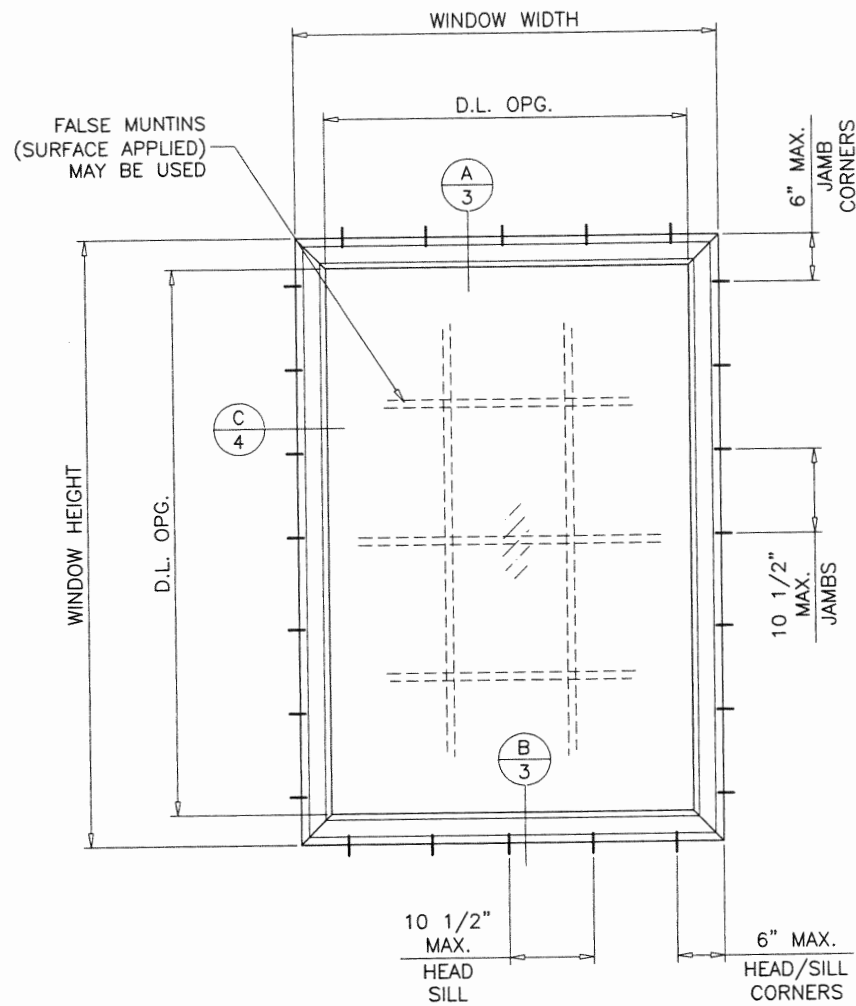
**G. OTHERS**

1. Notice of Acceptance No. **17-1011.20**, issued to Eco Window Systems, LLC for their Series “Eco-Guard 550” Aluminum Fixed Window – L.M.I., approved on 12/21/2017 and expiring on 05/05/21.

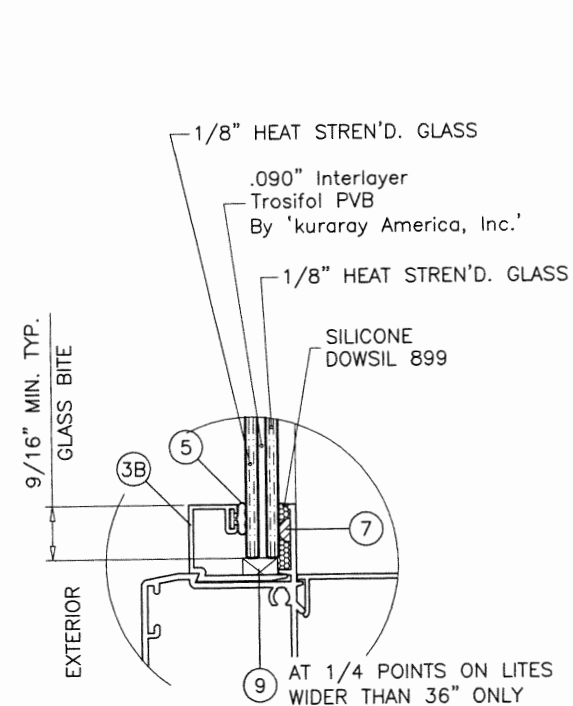


---

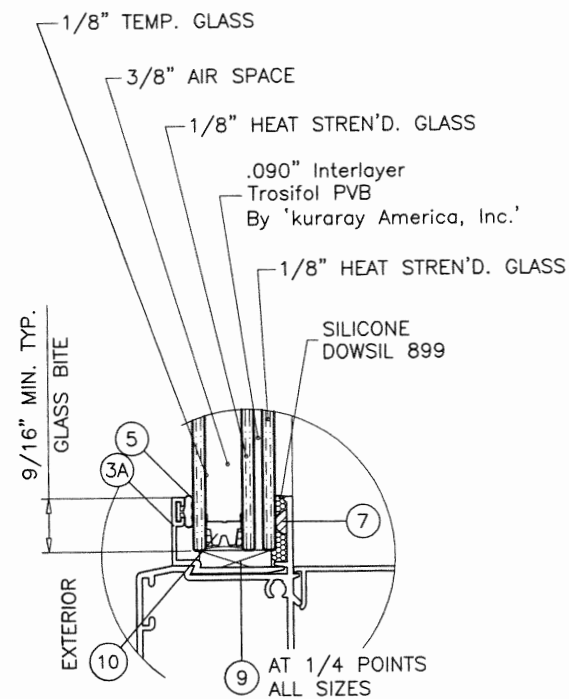
Sifang Zhao, P.E.  
Product Control Examiner  
NOA No. 20-1119.02  
Expiration Date: May 05, 2026  
Approval Date: February 05, 2021



**TYPICAL ELEVATION**

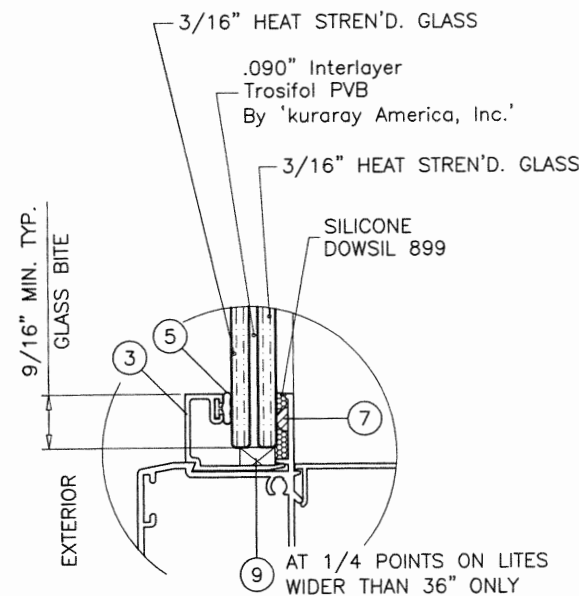


**GLASS TYPE 'A'**

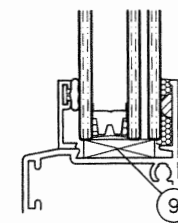


**GLASS TYPE 'AA'**

**GLAZING OPTIONS**



**GLASS TYPE 'B'**



SETTING BLOCKS AT LAM. GLASS AND INSUL. LAM. GLASS NOTCH GLAZING BEAD LEG TO CLEAR BLOCKS

THESE WINDOWS ARE RATED FOR LARGE & SMALL MISSILE IMPACT. SHUTTERS ARE NOT REQUIRED.

**ECO-GUARD SERIES-550  
ALUMINUM FIXED WINDOW**

DESIGN LOAD RATINGS FOR THESE WINDOWS TO BE AS PER CHARTS SHOWN ON SHEET 2.

APPROVAL APPLIES TO SINGLE UNITS OR SIDE BY SIDE COMBINATIONS OF FIX./FIX. OR FIXED WITH OTHER WINDOW TYPES IN MODULES OF TWO OR MORE WINDOWS USING MIAMI-DADE COUNTY APPROVED MULLIONS IN BETWEEN. LOWER DESIGN PRESSURE FROM WINDOWS OR MULLION APPROVAL WILL APPLY TO ENTIRE SYSTEM.

THIS PRODUCT HAS BEEN DESIGNED AND TESTED TO COMPLY WITH THE REQUIREMENTS OF THE 2017 (6TH EDITION)/2020 (7TH EDITION) FLORIDA BUILDING CODE INCLUDING HIGH VELOCITY HURRICANE ZONE (HVHZ).

1BY OR 2BY WOOD BUCKS & BUCK FASTENERS BY OTHERS, MUST BE DESIGNED AND INSTALLED ADEQUATELY TO TRANSFER APPLIED PRODUCT LOADS TO THE BUILDING STRUCTURE.

ANCHORS SHALL BE CORROSION RESISTANT, SPACED AS SHOWN ON DETAILS AND INSTALLED PER MANUF'S INSTRUCTIONS. SPECIFIED EMBEDMENT TO BASE MATERIAL SHALL BE BEYOND WALL DRESSING OR STUCCO.

A LOAD DURATION INCREASE IS USED IN DESIGN OF ANCHORS INTO WOOD ONLY. ALL SHIMS TO BE HIGH IMPACT, NON-METALLIC AND NON-COMPRESSIBLE.

MATERIALS INCLUDING BUT NOT LIMITED TO STEEL/METAL SCREWS, THAT COME INTO CONTACT WITH OTHER DISSIMILAR MATERIALS SHALL MEET THE REQUIREMENTS OF THE 2017/2020 FLORIDA BLDG. CODE & ADOPTED STANDARDS.

THIS PRODUCT APPROVAL IS GENERIC AND DOES NOT PROVIDE INFORMATION FOR A SITE SPECIFIC PROJECT, i.e. LIFE SAFETY OF THIS PRODUCT, ADEQUACY OF STRUCTURE RECEIVING THIS PRODUCT AND SEALING AROUND OPENING FOR WATER INFILTRATION RESISTANCE ETC. CONDITIONS NOT SHOWN IN THIS DRAWING ARE TO BE ANALYZED SEPARATELY, AND TO BE REVIEWED BY BUILDING OFFICIAL.

DESIGN LOADS SHOWN ARE BASED ON 'ALLOWABLE STRESS DESIGN (ASD)'.

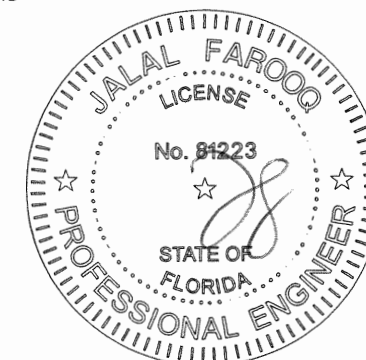
**PRODUCT REVISED  
as complying with the Florida  
Building Code**

NOA-No. 20-1119.02

Expiration Date 05/05/2026

By *[Signature]*  
**Miami-Dade Product Control**

NOV 10 2020



**af c**  
**AL-FAROOQ CORPORATION**  
ENGINEERS & PRODUCT DEVELOPMENT  
9360 SUNSET DRIVE, SUITE 220  
MIAMI, FLORIDA 33173 (C.A.N. 3538)  
TEL. (305) 264-8100 FAX. (305) 262-6978  
COMP-ANL\W11-10ECO

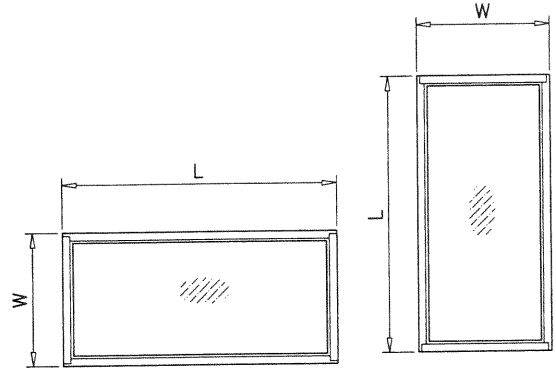
S-550 ALUMINUM FIXED WINDOW (L.M.I.)  
**ECO WINDOW SYSTEMS, LLC.**  
8502 N.W. 80th STREET  
MEDLEY, FL. 33166  
TEL. (305) 885-5299 FAX (305) 885-5902

no	date	description
C	03.19.15	UPDATED TO 2014 FBC
D	06.23.15	REV. PER PER COMMENTS
E	09.27.17	UPDATED TO 2017 FBC
F	11.05.20	UPDATED TO 2020 FBC

date: 02-28-11  
scale: 1/2"=1'-0"  
dr. by: TARIQ  
chk. by:  
drawing no. **W11-10**  
sheet 1 of 6

DESIGN LOAD CAPACITY - PSF							
WINDOW DIMS.		GLASS TYPE 'A'		GLASS TYPE 'AA'		GLASS TYPE 'B'	
WIDTH (W)	LENGTH (L)	EXT.(+)	1NT.(-)	EXT.(+)	1NT.(-)	EXT.(+)	1NT.(-)
30"	48"	70.0	75.0	70.0	75.0	70.0	75.0
36"		70.0	75.0	70.0	75.0	70.0	75.0
42"		61.7	66.1	70.0	75.0	70.0	75.0
48"		54.0	57.8	70.0	75.0	70.0	75.0
54"		54.0	57.8	70.0	75.0	70.0	75.0
60"		-	-	70.0	75.0	70.0	75.0
66"		-	-	70.0	75.0	70.0	75.0
30"	54"	70.0	75.0	70.0	75.0	70.0	75.0
36"		70.0	75.0	70.0	75.0	70.0	75.0
42"		61.7	66.1	70.0	75.0	70.0	75.0
48"		54.0	57.8	70.0	75.0	70.0	75.0
54"		-	-	68.9	73.8	68.9	73.8
60"		-	-	68.9	73.8	68.9	73.8
66"		-	-	68.9	73.8	68.9	73.8
30"	60"	70.0	75.0	70.0	75.0	70.0	75.0
36"		70.0	75.0	70.0	75.0	70.0	75.0
42"		61.7	66.1	70.0	75.0	70.0	75.0
48"		-	-	70.0	75.0	70.0	75.0
54"		-	-	68.9	73.8	68.9	73.8
60"		-	-	62.0	66.4	62.0	66.4
66"		-	-	62.0	66.4	62.0	66.4
30"	66"	70.0	75.0	70.0	75.0	70.0	75.0
36"		70.0	75.0	70.0	75.0	70.0	75.0
42"		61.7	66.1	70.0	75.0	70.0	75.0
48"		-	-	70.0	75.0	70.0	75.0
54"		-	-	68.9	73.8	68.9	73.8
60"		-	-	62.0	66.4	62.0	66.4
66"		-	-	62.0	66.4	62.0	66.4
30"	72"	70.0	75.0	70.0	75.0	70.0	75.0
36"		70.0	75.0	70.0	75.0	70.0	75.0
42"		-	-	70.0	75.0	70.0	75.0
48"		-	-	70.0	75.0	70.0	75.0
54"		-	-	68.9	73.8	68.9	73.8
60"		-	-	62.0	66.4	62.0	66.4
66"		-	-	62.0	66.4	62.0	66.4
30"	78"	70.0	75.0	70.0	75.0	70.0	75.0
36"		70.0	75.0	70.0	75.0	70.0	75.0
42"		-	-	70.0	75.0	70.0	75.0
48"		-	-	70.0	75.0	70.0	75.0
60"		-	-	62.0	66.4	62.0	66.4
66"		-	-	62.0	66.4	62.0	66.4
66"		-	-	62.0	66.4	62.0	66.4
30"	84"	70.0	75.0	70.0	75.0	70.0	75.0
36"		-	-	70.0	75.0	70.0	75.0
42"		-	-	70.0	75.0	70.0	75.0
48"		-	-	70.0	75.0	70.0	75.0
60"		-	-	62.0	66.4	62.0	66.4
66"		-	-	62.0	66.4	62.0	66.4
66"		-	-	62.0	66.4	62.0	66.4
30"	90"	70.0	75.0	70.0	75.0	70.0	75.0
36"		-	-	70.0	75.0	70.0	75.0
42"		-	-	70.0	75.0	70.0	75.0
48"		-	-	70.0	75.0	70.0	75.0
60"		-	-	62.0	66.4	62.0	66.4
66"		-	-	62.0	66.4	62.0	66.4
66"		-	-	62.0	66.4	62.0	66.4
30"	96"	-	-	70.0	75.0	70.0	75.0
36"		-	-	70.0	75.0	70.0	75.0
42"		-	-	70.0	75.0	70.0	75.0
48"		-	-	70.0	75.0	70.0	75.0
60"		-	-	62.0	66.4	62.0	66.4
66"		-	-	62.0	66.4	62.0	66.4
66"		-	-	62.0	66.4	62.0	66.4

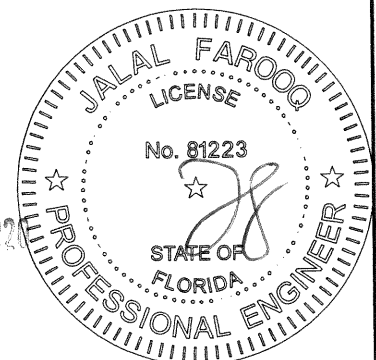
DESIGN LOAD CAPACITY - PSF							
WINDOW DIMS.		GLASS TYPE 'A'		GLASS TYPE 'AA'		GLASS TYPE 'B'	
WIDTH (W)	LENGTH (L)	EXT.(+)	1NT.(-)	EXT.(+)	1NT.(-)	EXT.(+)	1NT.(-)
26-1/2"	50-5/8"	70.0	75.0	70.0	75.0	70.0	75.0
32"		70.0	75.0	70.0	75.0	70.0	75.0
37"		70.0	75.0	70.0	75.0	70.0	75.0
42"		61.7	66.1	70.0	75.0	70.0	75.0
48"		54.0	57.8	70.0	75.0	70.0	75.0
53-1/8"		51.2	54.8	70.0	75.0	70.0	75.0
56"		-	-	70.0	75.0	70.0	75.0
60"		-	-	70.0	75.0	70.0	75.0
63"		-	-	70.0	75.0	70.0	75.0
63"		-	-	70.0	75.0	70.0	75.0
26-1/2"	63"	70.0	75.0	70.0	75.0	70.0	75.0
32"		70.0	75.0	70.0	75.0	70.0	75.0
37"		70.0	75.0	70.0	75.0	70.0	75.0
42"		61.7	66.1	70.0	75.0	70.0	75.0
48"		-	-	70.0	75.0	70.0	75.0
53-1/8"		-	-	70.0	75.0	70.0	75.0
56"		-	-	66.4	71.1	66.4	71.1
60"		-	-	62.0	66.4	62.0	66.4
63"		-	-	59.0	63.2	59.0	63.2
63"		-	-	59.0	63.2	59.0	63.2
26-1/2"	76"	70.0	75.0	70.0	75.0	70.0	75.0
32"		70.0	75.0	70.0	75.0	70.0	75.0
37"		70.0	75.0	70.0	75.0	70.0	75.0
42"		-	-	70.0	75.0	70.0	75.0
48"		-	-	70.0	75.0	70.0	75.0
53-1/8"		-	-	70.0	75.0	70.0	75.0
53-1/8"		-	-	70.0	75.0	70.0	75.0
26-1/2"	80"	70.0	75.0	70.0	75.0	70.0	75.0
32"		70.0	75.0	70.0	75.0	70.0	75.0
37"		-	-	70.0	75.0	70.0	75.0
42"		-	-	70.0	75.0	70.0	75.0
48"		-	-	70.0	75.0	70.0	75.0
53-1/8"		-	-	70.0	75.0	70.0	75.0
53-1/8"		-	-	70.0	75.0	70.0	75.0
26-1/2"	84"	70.0	75.0	70.0	75.0	70.0	75.0
32"		70.0	75.0	70.0	75.0	70.0	75.0
37"		-	-	70.0	75.0	70.0	75.0
42"		-	-	70.0	75.0	70.0	75.0
48"		-	-	70.0	75.0	70.0	75.0
53-1/8"		-	-	70.0	75.0	70.0	75.0
53-1/8"		-	-	70.0	75.0	70.0	75.0
26-1/2"	90"	70.0	75.0	70.0	75.0	70.0	75.0
32"		-	-	70.0	75.0	70.0	75.0
37"		-	-	70.0	75.0	70.0	75.0
42"		-	-	70.0	75.0	70.0	75.0
48"		-	-	70.0	75.0	70.0	75.0
53-1/8"		-	-	70.0	75.0	70.0	75.0
53-1/8"		-	-	70.0	75.0	70.0	75.0
26-1/2"	96"	70.0	75.0	70.0	75.0	70.0	75.0
32"		-	-	70.0	75.0	70.0	75.0
37"		-	-	70.0	75.0	70.0	75.0
42"		-	-	70.0	75.0	70.0	75.0
48"		-	-	70.0	75.0	70.0	75.0
53-1/8"		-	-	70.0	75.0	70.0	75.0
53-1/8"		-	-	70.0	75.0	70.0	75.0



NOTE:  
WIDTH AND LENGTH DIMENSIONS CAN BE ORIENTED VERTICALLY OR HORIZONTALLY AS SHOWN ABOVE.

NOTE:  
GLASS CAPACITIES ON THIS SHEET ARE BASED ON ASTM E1300-09 (3 SEC. GUSTS).

**PRODUCT REVISED**  
as complying with the Florida Building Code  
NOA-No. 20-1119.02  
Expiration Date 05/05/2026  
By *[Signature]*  
Miami-Dade Product Control



**afC**  
**AL-FAROOQ CORPORATION**  
ENGINEERS & PRODUCT DEVELOPMENT  
9360 SUNSET DRIVE, SUITE 220  
MIAMI, FLORIDA 33173 (C.A.N. 3538)  
TEL. (305) 264-8100 FAX. (305) 262-6978  
COMP-ANL\W11-10ECO

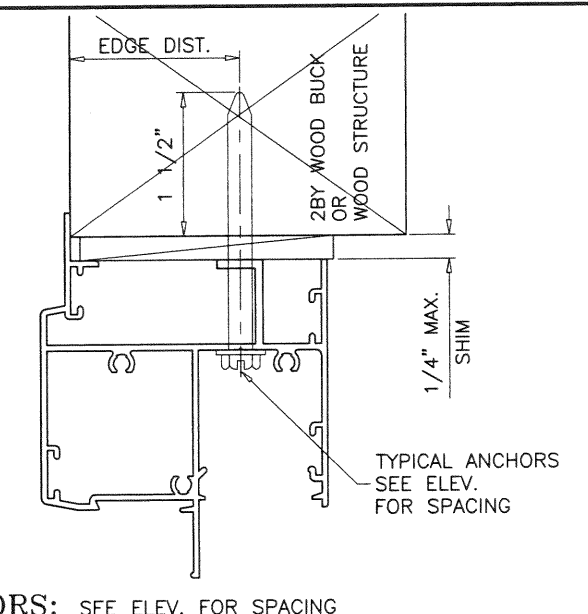
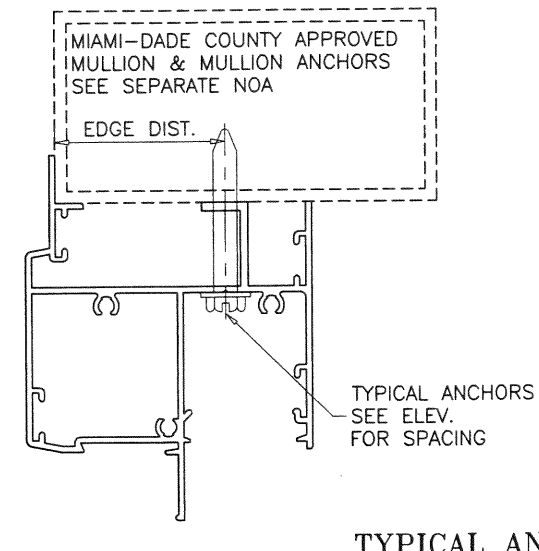
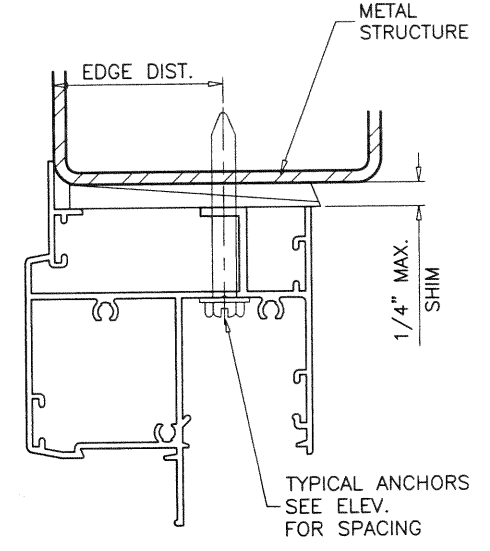
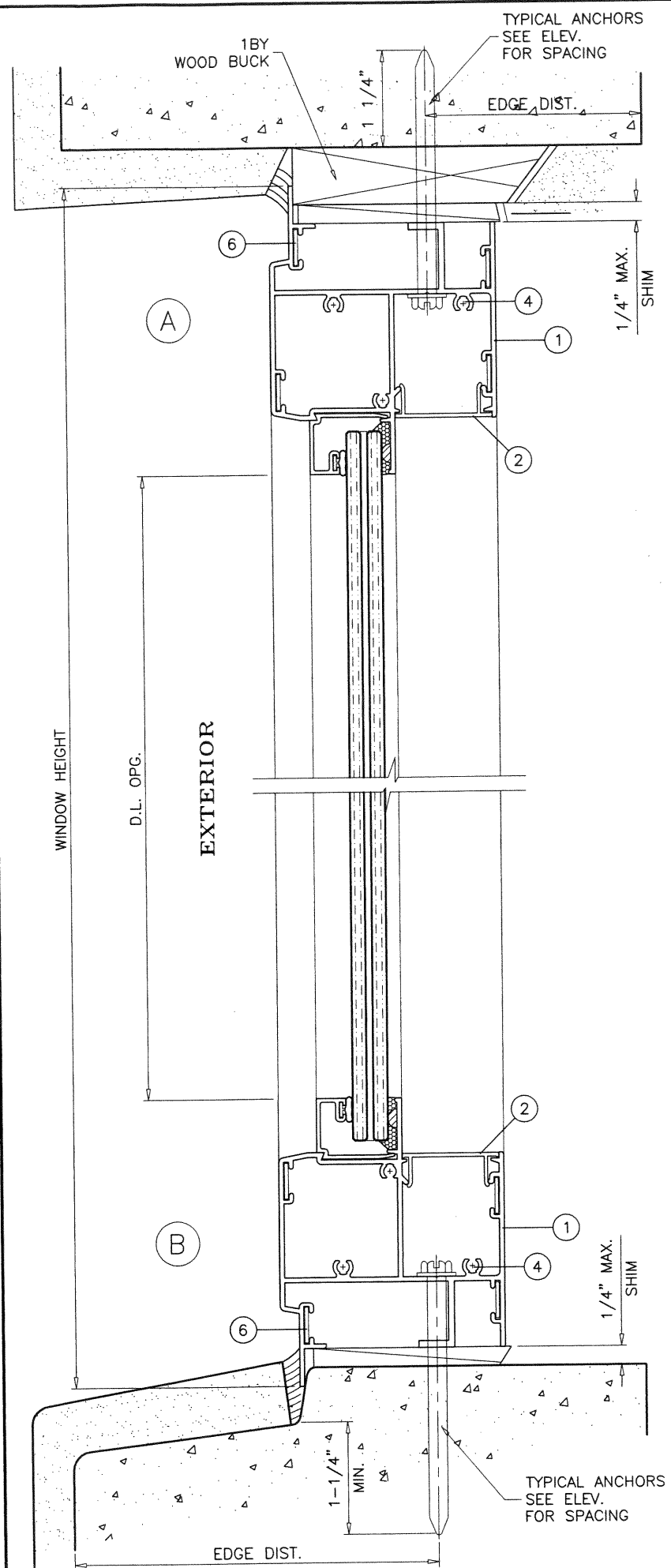
S-550 ALUMINUM FIXED WINDOW (L.M.I.)  
**ECO WINDOW SYSTEMS, LLC.**  
8502 N.W. 80th STREET  
MEDLEY, FL. 33166  
TEL. (305) 885-5299 FAX (305) 885-5902

no	date	description
C	03.19.15	UPDATED TO 2014 FBC
D	06.23.15	NO CHANGE THIS SHEET
E	09.27.17	UPDATED TO 2017 FBC
F	11.05.20	UPDATED TO 2020 FBC

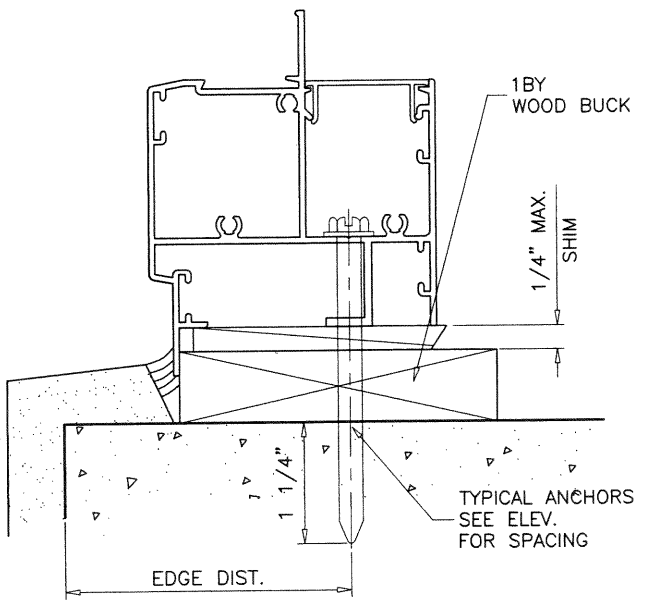
date: 02-28-11  
scale: 1/2" = 1"  
dr. by: TARIQ  
chk. by:

drawing no.  
**W11-10**  
sheet 2 of 6

NOV 10 2020



WOOD BUCKS AND METAL STRUCTURE NOT BY 'ECO WDW.' MUST SUSTAIN LOADS IMPOSED BY GLAZING SYSTEM AND TRANSFER THEM TO THE BUILDING STRUCTURE.



**TYPICAL ANCHORS:** SEE ELEV. FOR SPACING

- 1/4" DIA. ULTRACON+ BY 'DEWALT'** (Fu=164 KSI, Fy=148 KSI) INTO 2BY WOOD BUCKS OR WOOD STRUCTURES 1-1/2" MIN. PENETRATION INTO WOOD (HEAD/SILL/JAMBS) THRU 1BY BUCKS INTO CONC. OR BLOCKS 1-1/4" MIN. EMBED INTO CONCRETE (HEAD/SILL/JAMBS) 1-1/4" MIN. EMBED INTO BLOCKS (JAMBS) DIRECTLY INTO CONCRETE OR BLOCKS 1-1/4" MIN. EMBED INTO CONCRETE (HEAD/SILL/JAMBS) 1-1/4" MIN. EMBED INTO BLOCKS (JAMBS)

- #14 SMS OR SELF DRILLING SCREWS** (GRADE 2 CRS) INTO METAL STRUCTURES (HEAD/SILL/JAMBS) (3) THREADS MIN. PENETRATION BEYOND SUBSTRATE ALUMINUM: 1/8" THK. MIN. (6063-T5 MIN.) STEEL: 1/8" THK. MIN. (Fy = 36 KSI MIN.) (STEEL IN CONTACT WITH ALUMINUM TO BE PLATED OR PAINTED)

- #12 SMS OR SELF DRILLING SCREWS** (GRADE 2 CRS) INTO MIAMI-DADE COUNTY APPROVED MULLIONS (3) THREADS MIN. PENETRATION BEYOND SUBSTRATE (NO SHIM SPACE) ALUMINUM: 1/8" THK. MIN. (6063-T5 MIN.) STEEL: 1/8" THK. MIN. (Fy = 36 KSI MIN.) (STEEL IN CONTACT WITH ALUMINUM TO BE PLATED OR PAINTED)

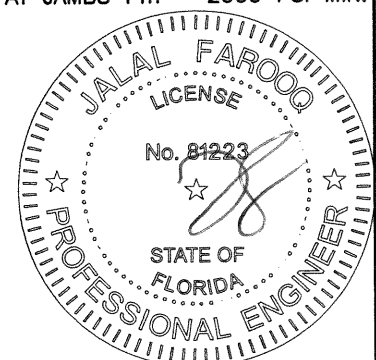
**TYPICAL EDGE DISTANCE**

- INTO CONCRETE AND MASONRY = 2-1/2" MIN.
- INTO WOOD STRUCTURE = 1" MIN.
- INTO METAL STRUCTURE = 3/4" MIN.

- WOOD AT HEAD, SILL OR JAMBS SG = 0.55 MIN.
- CONCRETE AT HEAD, SILL OR JAMBS f'c = 3000 PSI MIN.
- C-90 HOLLOW/FILLED NORMAL WEIGHT BLOCK AT JAMBS f'm = 2000 PSI MIN.

**PRODUCT REVISED**  
 as complying with the Florida Building Code  
 NOA-No. 20-1119.02  
 Expiration Date 05/05/2026  
 By *[Signature]*  
 Miami-Dade Product Control

NOV 10 2020



**af c**  
**AL-FAROOQ CORPORATION**  
 ENGINEERS & PRODUCT DEVELOPMENT  
 9360 SUNSET DRIVE, SUITE 220  
 MIAMI, FLORIDA 33173  
 TEL. (305) 264-8100 FAX. (305) 262-6978  
 (C.A.N. 3538)

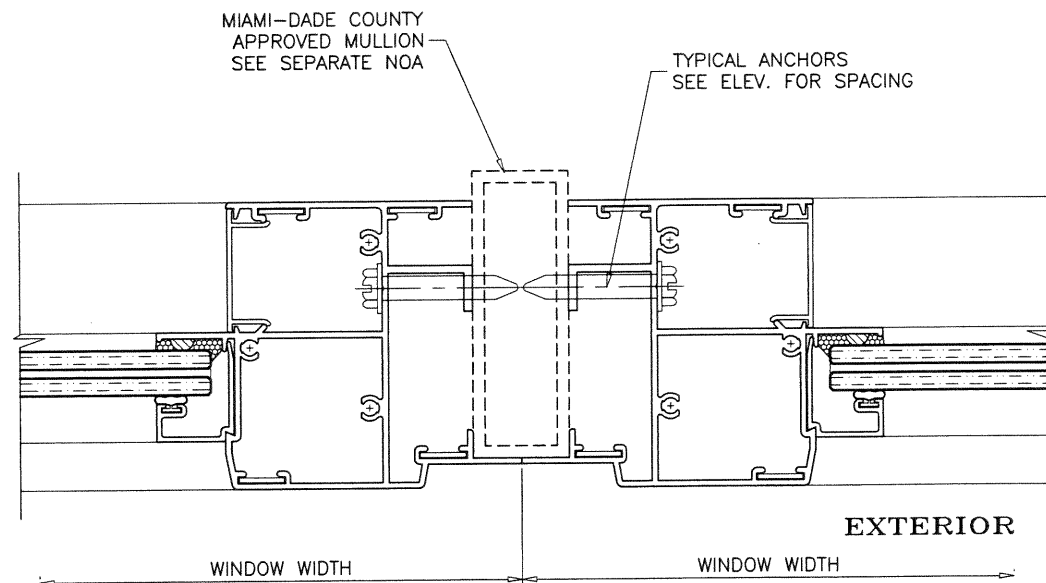
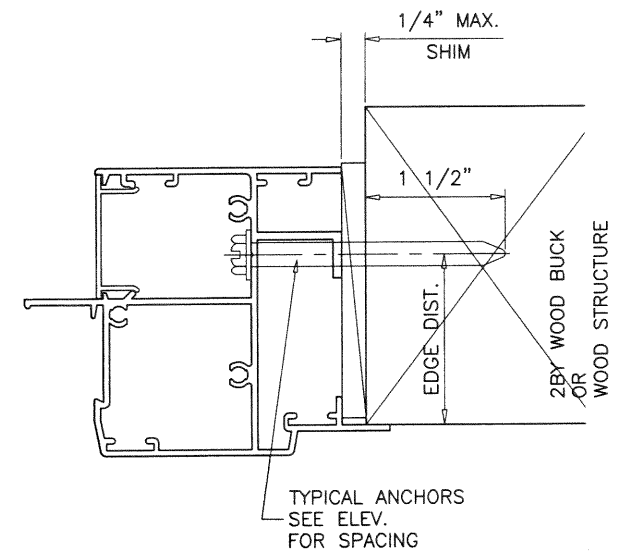
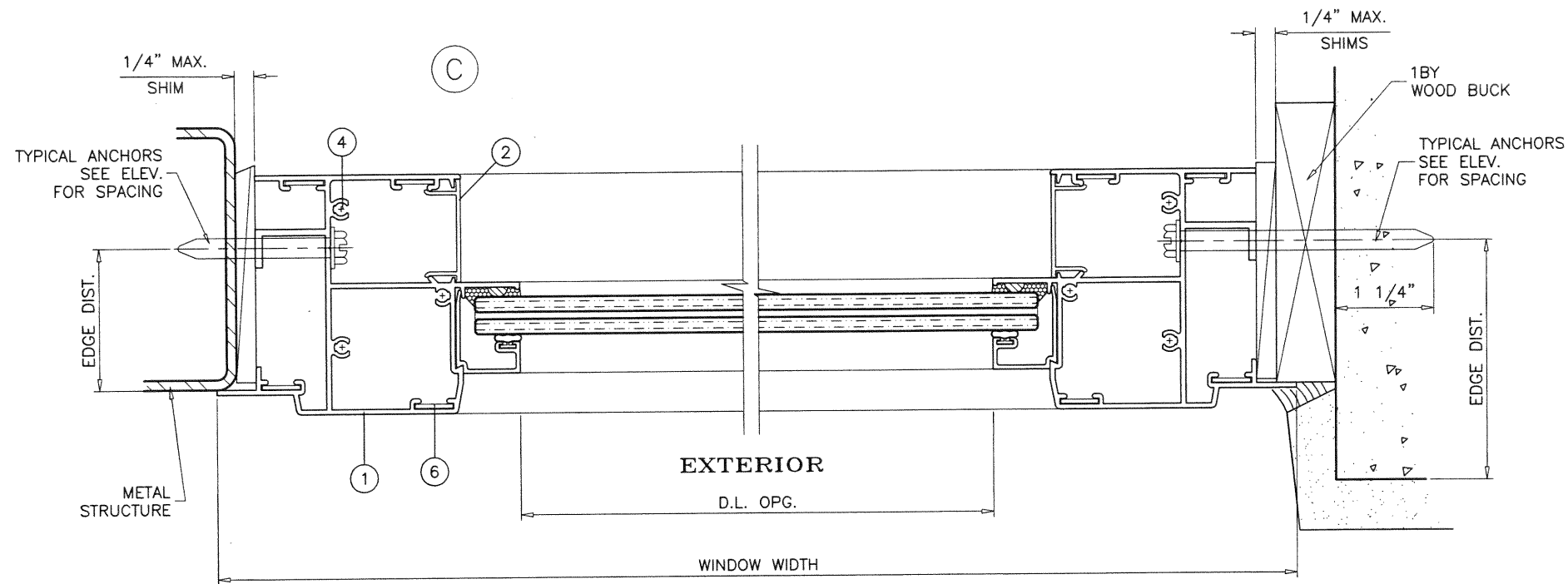
S-550 ALUMINUM FIXED WINDOW (L.M.I.)  
**ECO WINDOW SYSTEMS, LLC.**  
 8502 N.W. 80th STREET  
 MEDLEY, FL. 33166  
 TEL. (305) 885-5299 FAX (305) 885-5902

no	date	by	description
C	03.19.15		UPDATED TO 2014 FBC
D	06.23.15		REV. PER RER COMMENTS
E	09.27.17		UPDATED TO 2017 FBC
F	11.05.20		UPDATED TO 2020 FBC

date: 02-28-11  
 scale: 1/2" = 1"  
 dr. by: TARIQ  
 chk. by:

drawing no.  
**W11-10**  
 sheet 3 of 6

COMP-ANL\W11-10ECO

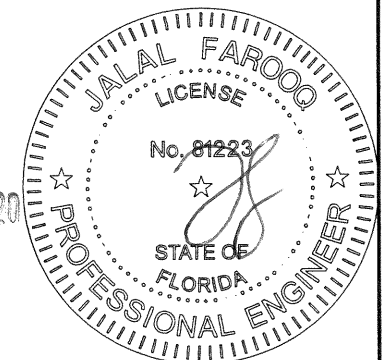


**PRODUCT REVISED**  
 as complying with the Florida  
 Building Code  
 NOA-No. 20-1119.02

Expiration Date 05/05/2026

By *[Signature]*  
 Miami-Dade Product Control

NOV 10 2020



**af c**  
**AL-FAROOQ CORPORATION**  
 ENGINEERS & PRODUCT DEVELOPMENT  
 9360 SUNSET DRIVE, SUITE 220 (C.A.N. 3538)  
 MIAMI, FLORIDA 33173  
 TEL. (305) 264-8100 FAX. (305) 262-6978  
 COMP-ANL W11-10ECO

S-550 ALUMINUM FIXED WINDOW (L.M.I.)  
**ECO WINDOW SYSTEMS, LLC.**  
 8502 N.W. 80th STREET  
 MEDLEY, FL. 33166  
 TEL. (305) 885-5299 FAX (305) 885-5902

no	date	by	description
C	03.19.15		UPDATED TO 2014 FBC
D	06.23.15		NO CHANGE THIS SHEET
E	09.27.17		UPDATED TO 2017 FBC
F	11.05.20		UPDATED TO 2020 FBC

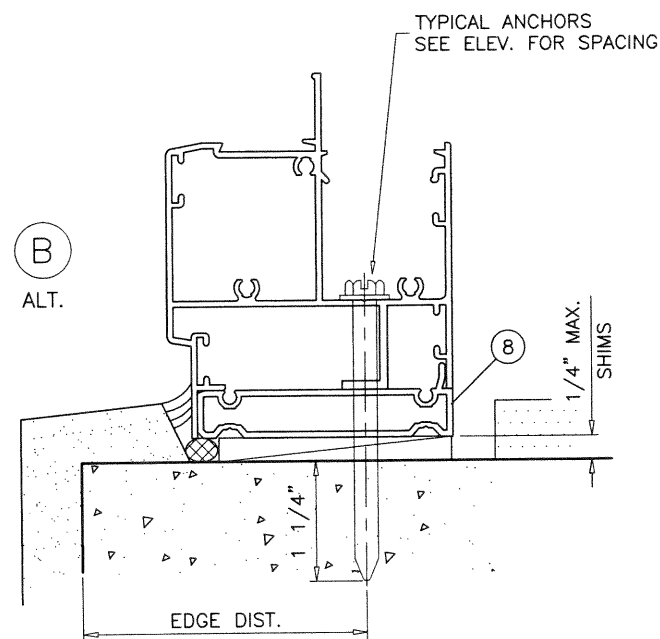
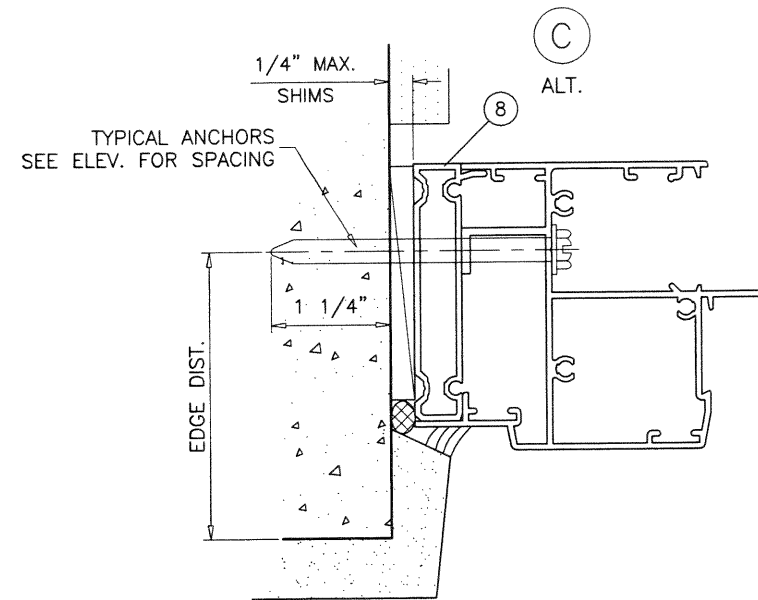
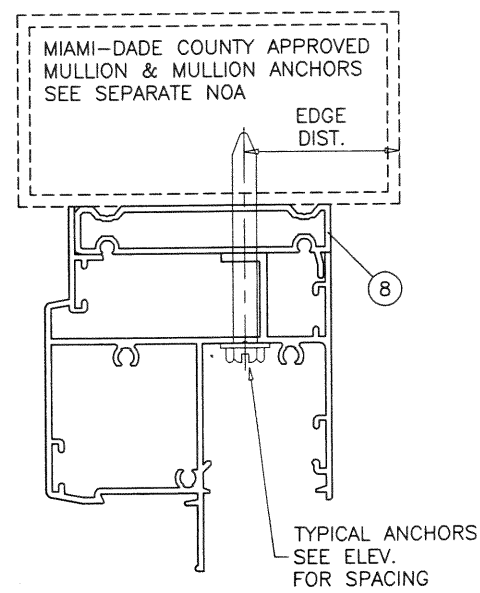
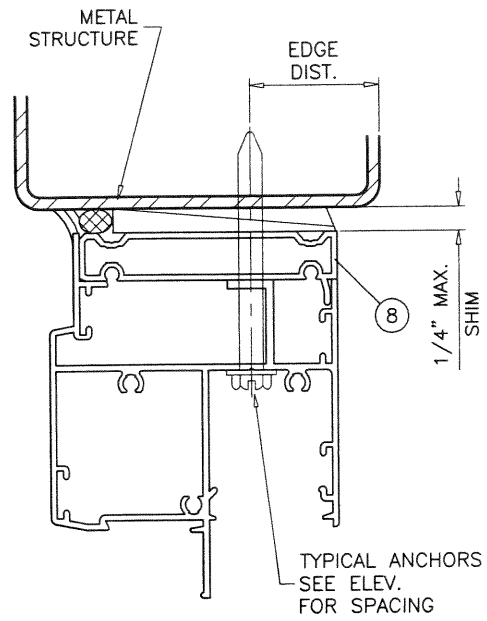
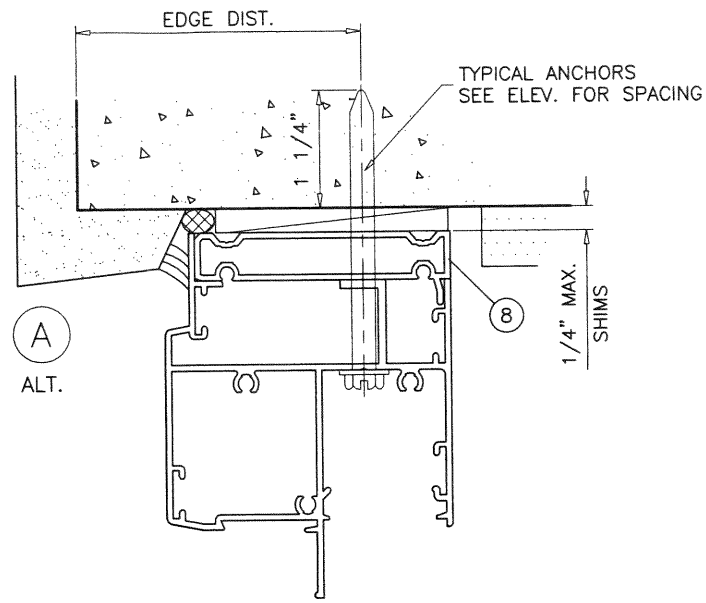
date: 02-28-11  
 scale: 1/2" = 1"  
 dr. by: TARIO  
 chk. by:

drawing no.

W11-10

sheet 4 of 6

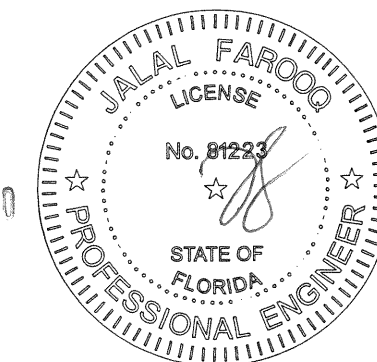




**INSTALLATION DETAILS WITH FLUSH FRAME ADAPTER**

**PRODUCT REVISED**  
 as complying with the Florida  
 Building Code  
 NOA-No. 20-1119.02  
 Expiration Date 05/05/2026  
 By [Signature]  
 Miami-Dade Product Control

NOV 10 2020



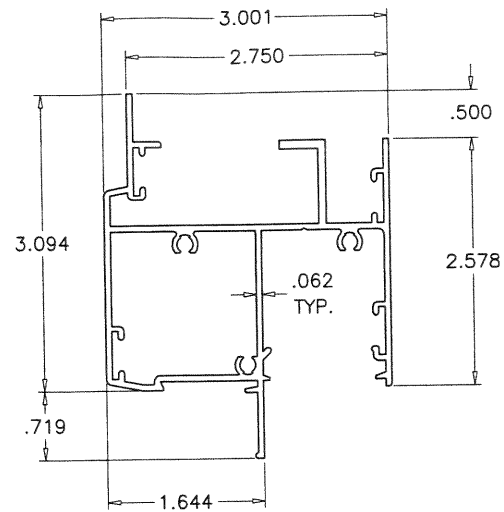
**af c**  
**AL-FAROOQ CORPORATION**  
 ENGINEERS & PRODUCT DEVELOPMENT  
 9360 SUNSET DRIVE, SUITE 220  
 MIAMI, FLORIDA 33173 (C.A.N. 3538)  
 TEL. (305) 264-8100 FAX. (305) 262-6978  
 COMP-ANL\W11-10ECCO

S-550 ALUMINUM FIXED WINDOW (L.M.I.)  
**ECO WINDOW SYSTEMS, LLC.**  
 8502 N.W. 80th STREET  
 MEDLEY, FL. 33166  
 TEL. (305) 885-5299 FAX (305) 885-5902

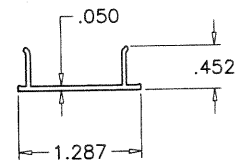
no	date	by	description
C	03.19.15		UPDATED TO 2014 FBC
D	06.23.15		NO CHANGE THIS SHEET
E	09.27.17		UPDATED TO 2017 FBC
F	11.05.20		UPDATED TO 2020 FBC

date: 02-28-11  
 scale: 1/2" = 1"  
 dr. by: TARIQ  
 chk. by:  
 drawing no.  
**W11-10**  
 sheet 5 of 6

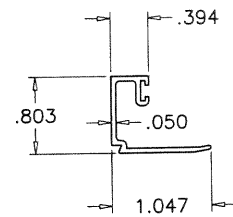




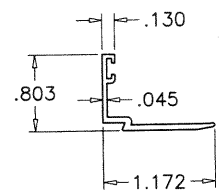
① FRAME HEAD/SILL/JAMB



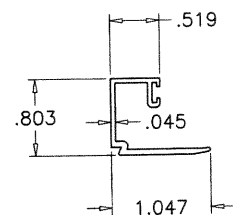
② SNAP COVER



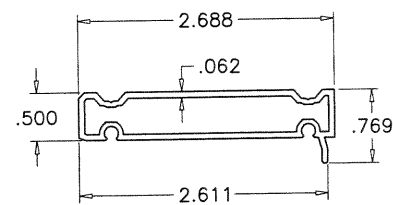
③ GLAZING BEAD (7/16" LAM. GLASS)



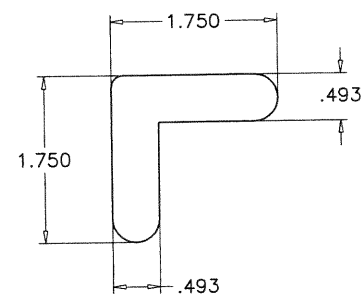
③A GLAZING BEAD (INSUL. LAM. GLASS)



③B GLAZING BEAD (5/16" LAM. GLASS)



⑧ FLUSH FRAME ADAPTER

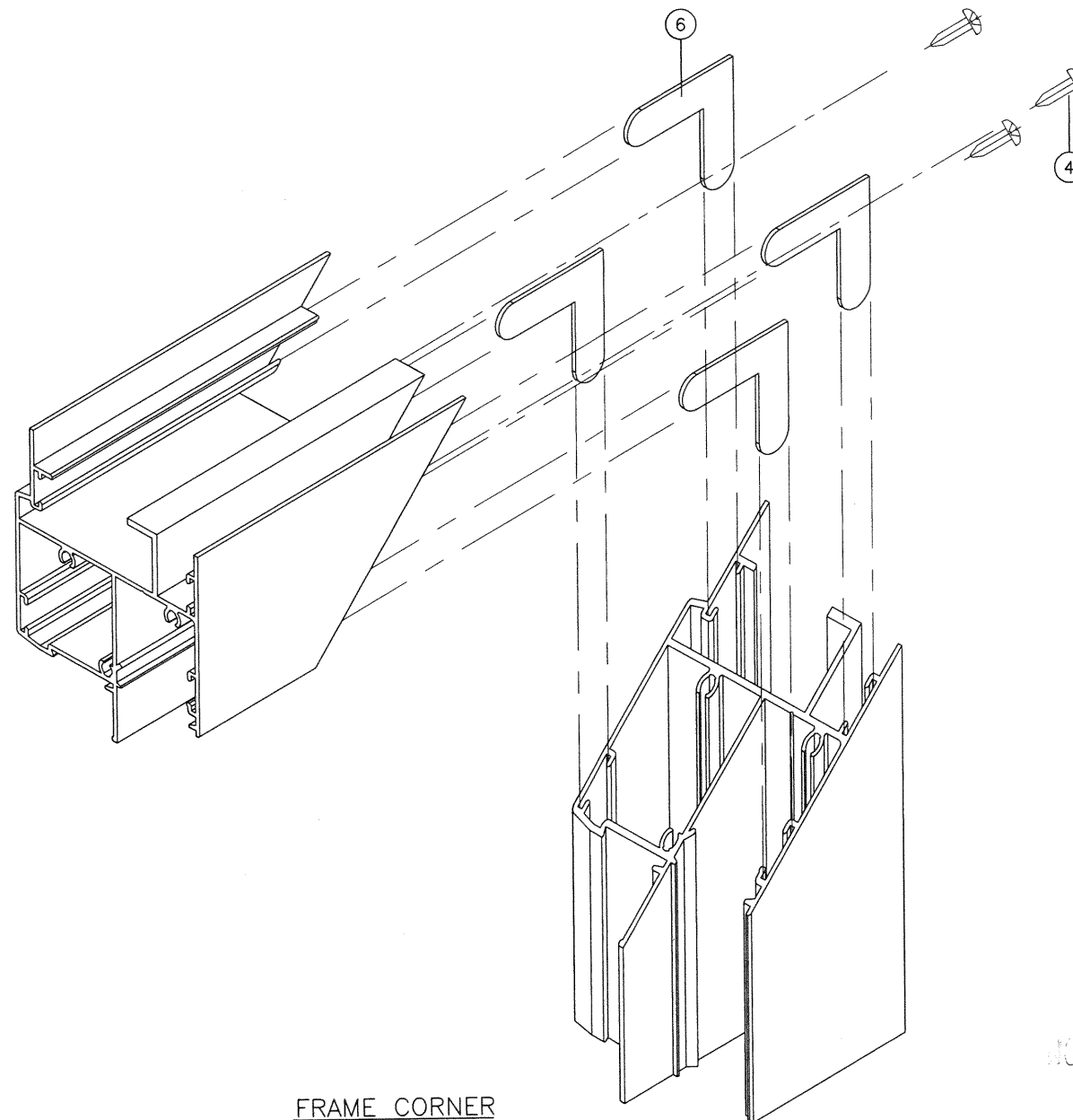


⑥ CORNER KEY

ITEM	PART #	QUANTITY	DESCRIPTION	MATERIAL	MANF./SUPPLIER/REMARKS
1	E503	4	FRAME HEAD/SILL/JAMB	6063-T6	-
2	E504	4	SNAP COVER	6063-T6	-
3	FY109	AS REQD.	GLAZING BEAD (7/16" LAM. GLASS)	6063-T6	-
3A	E505	AS REQD.	GLAZING BEAD (INSUL. LAM. GLASS)	6063-T6	-
3B	FY108	AS REQD.	GLAZING BEAD (5/16" LAM. GLASS)	6063-T6	-
4	#10 X 1-1/4"	3/ CORNER	ASSEMBLY SCREWS	-	-
5	E203	AS REQD.	GLAZING BEAD BULB, DUROMETER 65	SANTOPRENE	ULTRAFAB
6	PSJ40-SS	2/ CORNER	FRAME CORNER KEY	ST. STEEL	-
7	FLB-50	-	GLASS SPACER - 1/8" HIGH	SILICONE	FRANK LOWE
8	FY120	AS REQD.	FLUSH FRAME ADAPTER	6063-T6	OPTIONAL
9	-	AS REQD.	SETTING BLOCK, 3/16" X 3/4" X 4" LONG	EPDM	DUROMETER 80±5 SHORE A
10	-	-	INSUL. GLASS EDGE SPACER	ST. STEEL	CARDINAL XL

**SEALANT:**

ALL JOINTS AND FRAME CONNECTIONS SEALED WITH SCHNEE-MOREHEAD SM5504 SEAM SEALER.

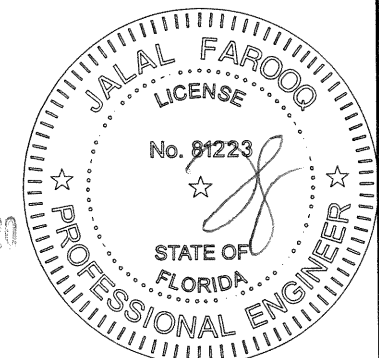


FRAME CORNER

**PRODUCT REVISED**  
as complying with the Florida Building Code  
NOA-No. 20-1119.02

Expiration Date 05/05/2026

By *[Signature]*  
Miami-Dade Product Control



NOV 10 2020

**af c**  
**AL-FAROOQ CORPORATION**  
ENGINEERS & PRODUCT DEVELOPMENT  
9360 SUNSET DRIVE, SUITE 220  
MIAMI, FLORIDA 33173  
TEL. (305) 264-8100 FAX. (305) 262-6978  
(C.A.N. 3538)

S-550 ALUMINUM FIXED WINDOW (L.M.I.)  
**ECO WINDOW SYSTEMS, LLC.**  
8502 N.W. 80th STREET  
MEDLEY, FL. 33166  
TEL. (305) 885-5299 FAX (305) 885-5902

no	date	by	description
C	03.19.15		UPDATED TO 2014 FBC
D	06.23.15		REV. PER RER COMMENTS
E	09.27.17		UPDATED TO 2017 FBC
F	11.05.20		UPDATED TO 2020 FBC

date: 02-28-11  
scale: 1/2" = 1"  
dr. by: TARIQ  
chk. by:

drawing no.  
**W11-10**  
sheet 6 of 6