



MIAMI-DADE COUNTY
PRODUCT CONTROL SECTION
 11805 SW 26 Street, Room 208
 Miami, FL 331765
 T (786) 315-2590 F (786) 315-2599
www.miamidade.gov/economy

DEPARTMENT OF REGULATORY AND ECONOMIC RESOURCES (RER)
 BOARD AND CODE ADMINISTRATION DIVISION

NOTICE OF ACCEPTANCE (NOA)

Eco Window Systems, LLC
8502 NW 80 Street
Medley, FL 33166

SCOPE:

This NOA is being issued under the applicable rules and regulations governing the use of construction materials. The documentation submitted has been reviewed and accepted by Miami-Dade County RER - Product Control Section to be used in Miami-Dade County and other areas where allowed by the Authority Having Jurisdiction (AHJ).

This NOA shall not be valid after the expiration date stated below. The Miami-Dade County Product Control Section (In Miami-Dade County) and/or the AHJ (in areas other than Miami-Dade County) reserve the right to have this product or material tested for quality assurance purposes. If this product or material fails to perform in the accepted manner, the manufacturer will incur the expense of such testing and the AHJ may immediately revoke, modify, or suspend the use of such product or material within their jurisdiction. RER reserves the right to revoke this acceptance, if it is determined by Miami-Dade County Product Control Section that this product or material fails to meet the requirements of the applicable building code.

This product is approved as described herein, and has been designed to comply with the Florida Building Code, including the High Velocity Hurricane Zone.

DESCRIPTION: Series "S-550" Aluminum Fixed Window – S.M.I.

APPROVAL DOCUMENT: Drawing No. **W15-14**, titled “S-550 Alum. Fixed Window. (S.M.I.)”, sheets 1 through 6 of 6, dated 03/27/15 with Revision “B” dated 09/27/17, prepared by Al-Farooq Corporation, signed and sealed by Javad Ahmad, P.E., bearing the Miami-Dade County Product Control Revision stamp with the Notice of Acceptance number and expiration date by the Miami-Dade County Product Control Section.

MISSILE IMPACT RATING: Small Missile Impact Resistant

LABELING: Each unit shall bear a permanent label with the manufacturer's name or logo, city, state, model/series, and following statement: "Miami-Dade County Product Control Approved", unless otherwise noted herein.

RENEWAL of this NOA shall be considered after a renewal application has been filed and there has been no change in the applicable building code negatively affecting the performance of this product.

TERMINATION of this NOA will occur after the expiration date or if there has been a revision or change in the materials, use, and/or manufacture of the product or process. Misuse of this NOA as an endorsement of any product, for sales, advertising or any other purposes shall automatically terminate this NOA. Failure to comply with any section of this NOA shall be cause for termination and removal of NOA.

ADVERTISEMENT: The NOA number preceded by the words Miami-Dade County, Florida, and followed by the expiration date may be displayed in advertising literature. If any portion of the NOA is displayed, then it shall be done in its entirety.

INSPECTION: A copy of this entire NOA shall be provided to the user by the manufacturer or its distributors and shall be available for inspection at the job site at the request of the Building Official.

This NOA **revises and renews NOA No. 17-1011.19** and consists of this page 1 and evidence pages E-1 and E-2, as well as approval document mentioned above.

The submitted documentation was reviewed by **Sifang Zhao, P.E.**



S.Z.

02/05/2021

NOA No. 20-1119.03
Expiration Date: June 23, 2026
Approval Date: February 05, 2021
 Page 1

NOTICE OF ACCEPTANCE: EVIDENCE SUBMITTED

1. EVIDENCE SUBMITTED UNDER PREVIOUS NOA #15-0914.10

A. DRAWINGS

1. Manufacturer's die drawings and sections.
2. Drawing No. **W15-14**, titled "S-550 Alum. Fixed Window. (S.M.I.)", sheets 1 through 6 of 6, dated 03/27/15 with Revision "B" dated 09/27/17, prepared by Al-Farooq Corporation, signed and sealed by Javad Ahmad, P.E.

B. TESTS

1. Test reports on: 1) Air Infiltration Test, per FBC, TAS 202-94
2) Uniform Static Air Pressure Test, Loading per FBC TAS 202-94
3) Water Resistance Test, per FBC, TAS 202-94
4) Small Missile Impact Test per FBC, TAS 201-94
5) Cyclic Wind Pressure Loading per FBC, TAS 203-94
6) Forced Entry Test, per FBC 2411 3.2.1, TAS 202-94
along with marked-up drawings and installation diagram of a fixed window, prepared by Fenestration Testing Laboratory Inc., Test Report No. **8191**, dated 03/27/15 signed and sealed by Idalmis Ortega, P.E.
2. Test reports on: 1) Air Infiltration Test, per FBC, TAS 202-94
2) Uniform Static Air Pressure Test, Loading per FBC TAS 202-94
3) Water Resistance Test, per FBC, TAS 202-94
4) Small Missile Impact Test per FBC, TAS 201-94
5) Cyclic Wind Pressure Loading per FBC, TAS 203-94
6) Forced Entry Test, per FBC 2411 3.2.1, TAS 202-94
along with marked-up drawings and installation diagram of a casement window, prepared by Fenestration Testing Laboratory Inc., Test Report No. **8175**, dated 03/16/15 signed and sealed by Idalmis Ortega, P.E.
(Submitted under NOA#15-0914.09)

C. CALCULATIONS

1. Anchor verification calculations and structural analysis, complying with **FBC-2014, 5th Edition**, prepared by Al-Farooq Corporation, dated 08/03/15 and revised on 06/10/16, signed and sealed by Javad Ahmad, P. E.
2. Glazing complies with **ASTM E1300-09**

D. QUALITY ASSURANCE

1. Miami-Dade Department of Regulatory and Economic Resources (RER)

E. MATERIAL CERTIFICATIONS

1. Notice of Acceptance No. **16-1117.01** issued to **Kuraray America, Inc.** for their "Trosifol® Ultraclear, Clear and Color PVB Interlayers", expiring on 07/08/19.



Sifang Zhao, P.E
Product Control Examiner
NOA No. 20-1119.03
Expiration Date: June 23, 2026
Approval Date: February 05, 2021

NOTICE OF ACCEPTANCE: EVIDENCE SUBMITTED

F. STATEMENTS

1. Statement letter of conformance, complying with **FBC 5th Edition (2014)**, with **FBC 6th Edition (2017)**, and of no financial interest, dated September 15, 2017, prepared by Al-Farooq Corporation, signed and sealed by Javad Ahmad, P.E.

G. OTHERS

1. Notice of Acceptance No. **15-0914.10**, issued to Eco Window Systems, LLC for their Series "S-550" Aluminum Fixed Window – S.M.I., approved on 06/23/2016 and expiring on 06/05/2021.

2. NEW EVIDENCE SUBMITTED

A. DRAWINGS

1. Drawing No. **W15-14**, titled "S-550 Alum. Fixed Window. (S.M.I.)", sheets 1 through 6 of 6, dated 03/27/15 with Revision "**C**" dated 11/05/2020, prepared by Al-Farooq Corporation, signed and sealed by Jalal Farooq, P.E.

B. TESTS

1. None.

C. CALCULATIONS

1. None

D. QUALITY ASSURANCE

1. Miami-Dade Department of Regulatory and Economic Resources (RER).

E. MATERIAL CERTIFICATIONS

1. NOA No. **20-0915.22** issued to **Kuraray America, Inc.** for their "**Trosifol® Ultraclear, Clear and Color PVB Interlayers**", expiring on 07/08/19.

F. STATEMENTS

1. Statement letter of conformance, complying with **FBC 6th Edition (2017)**, with **FBC 7th Edition (2020)**, and of no financial interest, dated 11/05/2020, prepared by Al-Farooq Corporation, signed and sealed by Jalal Farooq, P.E.

G. OTHERS

1. Notice of Acceptance No. **17-1011.19**, issued to Eco Window Systems, LLC for their Series "S-550" Aluminum Fixed Window – S.M.I., approved on 12/21/2017 and expiring on 06/05/2021.



Sifang Zhao, P.E
Product Control Examiner
NOA No. 20-1119.03
Expiration Date: June 23, 2026
Approval Date: February 05, 2021

**ECO-GUARD SERIES-550
ALUMINUM FIXED WINDOW**

DESIGN LOAD RATINGS FOR THESE WINDOWS TO BE AS PER CHARTS SHOWN ON SHEETS 2.

APPROVAL APPLIES TO SINGLE UNITS OR SIDE BY SIDE COMBINATIONS OF FIX./FIX. OR FIXED WITH OTHER WINDOW TYPES IN MODULES OF TWO OR MORE WINDOWS USING MIAMI-DADE COUNTY APPROVED MULLIONS IN BETWEEN. LOWER DESIGN PRESSURE FROM WINDOWS OR MULLION APPROVAL WILL APPLY TO ENTIRE SYSTEM.

THIS PRODUCT HAS BEEN DESIGNED AND TESTED TO COMPLY WITH THE REQUIREMENTS OF THE 2017 (6TH EDITION)/2020 (7TH EDITION) FLORIDA BUILDING CODE INCLUDING HIGH VELOCITY HURRICANE ZONE (HVHZ).

1BY OR 2BY WOOD BUCKS & BUCK FASTENERS BY OTHERS, MUST BE DESIGNED AND INSTALLED ADEQUATELY TO TRANSFER APPLIED PRODUCT LOADS TO THE BUILDING STRUCTURE.

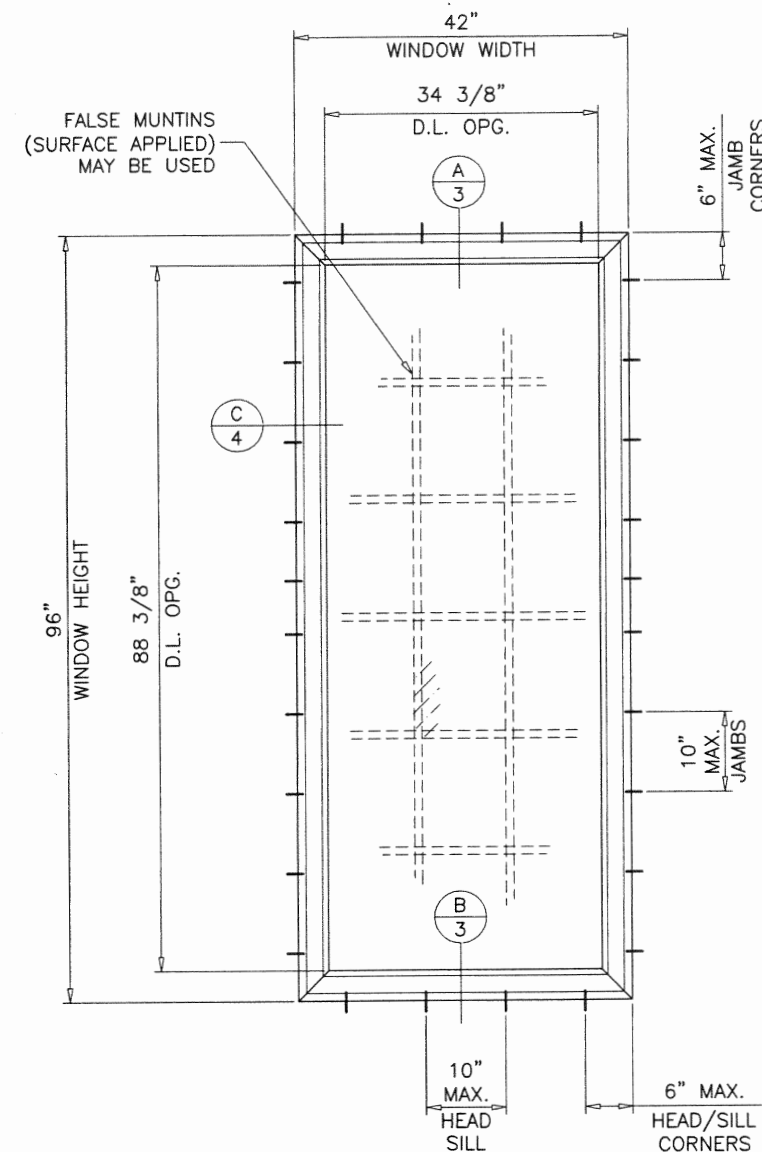
ANCHORS SHALL BE CORROSION RESISTANT, SPACED AS SHOWN ON DETAILS AND INSTALLED PER MANUF'S INSTRUCTIONS. SPECIFIED EMBEDMENT TO BASE MATERIAL SHALL BE BEYOND WALL DRESSING OR STUCCO.

A LOAD DURATION INCREASE IS USED IN DESIGN OF ANCHORS INTO WOOD ONLY. ALL SHIMS TO BE HIGH IMPACT, NON-METALLIC AND NON-COMPRESSIBLE.

MATERIALS INCLUDING BUT NOT LIMITED TO STEEL/METAL SCREWS, THAT COME INTO CONTACT WITH OTHER DISSIMILAR MATERIALS SHALL MEET THE REQUIREMENTS OF THE 2017/2020 FLORIDA BLDG. CODE & ADOPTED STANDARDS.

THIS PRODUCT APPROVAL IS GENERIC AND DOES NOT PROVIDE INFORMATION FOR A SITE SPECIFIC PROJECT, i.e. LIFE SAFETY OF THIS PRODUCT, ADEQUACY OF STRUCTURE RECEIVING THIS PRODUCT AND SEALING AROUND OPENING FOR WATER INFILTRATION RESISTANCE ETC. CONDITIONS NOT SHOWN IN THIS DRAWING ARE TO BE ANALYZED SEPARATELY, AND TO BE REVIEWED BY BUILDING OFFICIAL.

DESIGN LOADS SHOWN ARE BASED ON 'ALLOWABLE STRESS DESIGN (ASD)'.



TYPICAL ELEVATION
TESTED UNIT

GLASS D.L.O. DIMS.

D.L.O. HEIGHT = WINDOW HEIGHT - 7.625"
D.L.O. WIDTH = WINDOW WIDTH - 7.625"

THESE WINDOWS ARE RATED FOR SMALL MISSILE IMPACT.
MIAMI-DADE COUNTY APPROVED IMPACT RESISTANT SHUTTERS REQUIRED FOR INSTALLATIONS UP TO 30 FT. OF GRADE.
SHUTTERS NOT REQD. FOR INSTALLATIONS ABOVE 30 FT. OF GRADE.

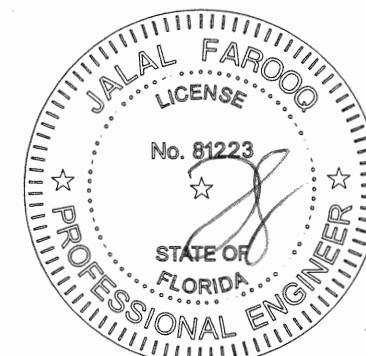
PRODUCT REVISED
as complying with the Florida Building Code

NOA-No. 20-1119.03

Expiration Date 06/23/2026

By *[Signature]*
Miami-Dade Product Control

NOV 10 2020



af c
AL-FAROOQ CORPORATION
ENGINEERS & PRODUCT DEVELOPMENT
9360 SUNSET DRIVE, SUITE 220 (C.A.N. 3538)
MIAMI, FLORIDA 33173
TEL. (305) 264-8100 FAX. (305) 262-6978

S-550 ALUMINUM FIXED WINDOW (S.M.I.)
ECO WINDOW SYSTEMS, LLC.
8502 N.W. 80th STREET
MEDLEY, FL. 33166
TEL. (305) 885-5299 FAX (305) 885-5902

no.	date	description
A	06.10.16	REV. PER RER COMMENTS
B	09.27.17	UPDATED TO 2017 FBC
C	11.05.20	UPDATED TO 2020 FBC

date: 03-27-15
scale: 1/2"=1'-0"
dr. by: TARIQ
chk. by:

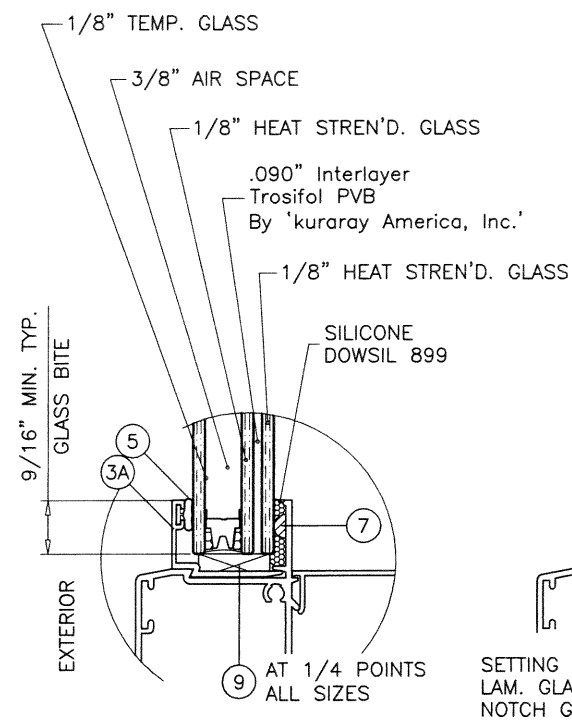
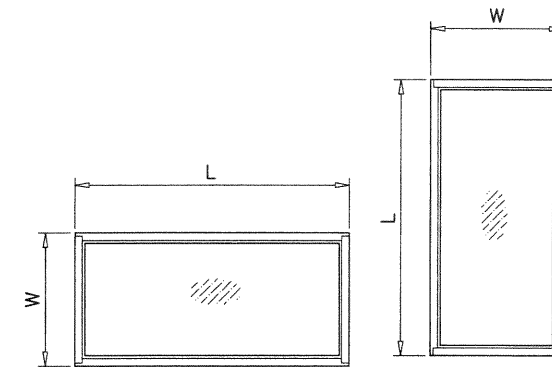
drawing no.
W15-14
sheet 1 of 6

COMP-ANL\W15-14ECO

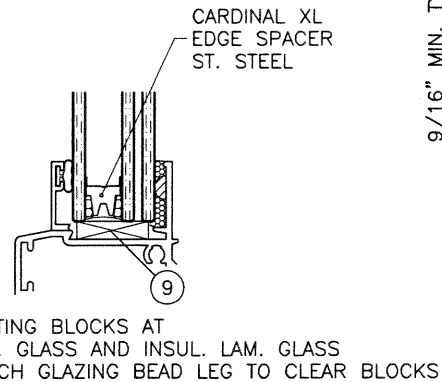
DESIGN LOAD CAPACITY - PSF					
WINDOW DIMS.		GLASS TYPE 'AA'		GLASS TYPE 'B'	
WIDTH (W)	LENGTH (L)	EXT.(+)	1NT.(-)	EXT.(+)	1NT.(-)
24"	42"	90.0	120.0	90.0	120.0
30"		90.0	120.0	90.0	120.0
36"		90.0	120.0	90.0	120.0
42"		79.3	114.5	90.0	120.0
48"		79.3	114.5	90.0	120.0
54"		79.3	114.5	90.0	120.0
60"		-	-	90.0	120.0
63"		-	-	90.0	120.0
66"	-	-	90.0	120.0	
24"	48"	90.0	120.0	90.0	120.0
30"		90.0	120.0	90.0	120.0
36"		90.0	120.0	90.0	120.0
42"		79.3	114.5	90.0	120.0
48"		69.4	100.2	78.8	105.0
54"		-	-	78.8	105.0
60"		-	-	78.8	105.0
63"		-	-	78.8	105.0
66"	-	-	78.8	105.0	
24"	54"	90.0	120.0	90.0	120.0
30"		90.0	120.0	90.0	120.0
36"		90.0	120.0	90.0	120.0
42"		79.3	114.5	90.0	120.0
48"		-	-	78.8	105.0
54"		-	-	70.0	93.3
60"		-	-	70.0	93.3
63"		-	-	70.0	93.3
66"	-	-	70.0	93.3	
24"	60"	90.0	120.0	90.0	120.0
30"		90.0	120.0	90.0	120.0
36"		90.0	120.0	90.0	120.0
42"		-	-	90.0	120.0
48"		-	-	78.8	105.0
54"		-	-	70.0	93.3
60"		-	-	63.0	84.0
63"		-	-	63.0	84.0
66"	-	-	63.0	84.0	
24"	63"	90.0	120.0	90.0	120.0
30"		90.0	120.0	90.0	120.0
36"		90.0	120.0	90.0	120.0
42"		-	-	90.0	120.0
48"		-	-	78.8	105.0
54"		-	-	70.0	93.3
60"		-	-	63.0	84.0
63"		-	-	60.0	80.0
24"	66"	90.0	120.0	90.0	120.0
30"		90.0	120.0	90.0	120.0
36"		-	-	90.0	120.0
42"		-	-	90.0	120.0
48"		-	-	78.8	105.0
54"		-	-	70.0	93.3
60"		-	-	63.0	84.0
63"		-	-	63.0	84.0

DESIGN LOAD CAPACITY - PSF					
WINDOW DIMS.		GLASS TYPE 'AA'		GLASS TYPE 'B'	
WIDTH (W)	LENGTH (L)	EXT.(+)	1NT.(-)	EXT.(+)	1NT.(-)
24"	72"	90.0	120.0	90.0	120.0
30"		90.0	120.0	90.0	120.0
36"		-	-	90.0	120.0
42"		-	-	90.0	120.0
48"		-	-	78.8	105.0
54"		-	-	70.0	93.3
24"	78"	90.0	120.0	90.0	120.0
30"		-	-	90.0	120.0
36"		-	-	90.0	120.0
42"		-	-	90.0	120.0
48"	-	-	78.8	105.0	
24"	84"	90.0	120.0	90.0	120.0
30"		-	-	90.0	120.0
36"		-	-	90.0	120.0
42"		-	-	90.0	120.0
48"	-	-	78.8	105.0	
24"	90"	90.0	120.0	90.0	120.0
30"		-	-	90.0	120.0
36"		-	-	90.0	120.0
24"	96"	90.0	120.0	90.0	120.0
30"		-	-	90.0	120.0
36"		-	-	90.0	120.0
42"		-	-	90.0	120.0

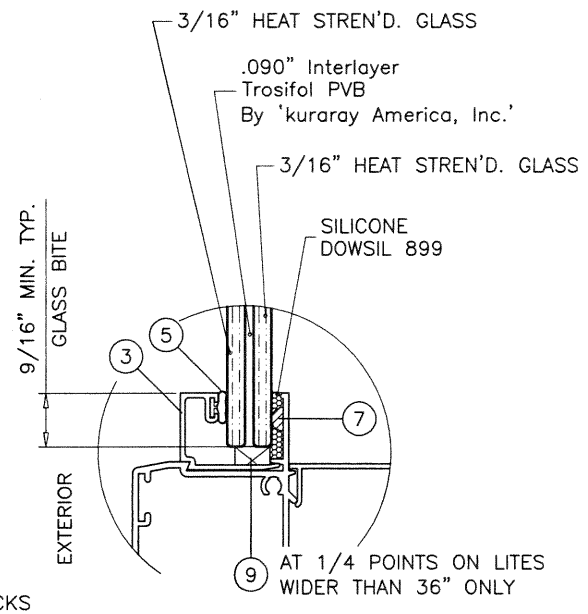
DESIGN LOAD CAPACITY - PSF					
WINDOW DIMS.		GLASS TYPE 'AA'		GLASS TYPE 'B'	
WIDTH (W)	LENGTH (L)	EXT.(+)	1NT.(-)	EXT.(+)	1NT.(-)
19-1/8"	38-3/8"	90.0	120.0	90.0	120.0
26-1/2"		90.0	120.0	90.0	120.0
32"		90.0	120.0	90.0	120.0
37"		90.0	120.0	90.0	120.0
53-1/8"		86.8	120.0	90.0	120.0
63"		-	-	90.0	120.0
19-1/8"	50-5/8"	90.0	120.0	90.0	120.0
26-1/2"		90.0	120.0	90.0	120.0
32"		90.0	120.0	90.0	120.0
37"		90.0	120.0	90.0	120.0
53-1/8"	-	-	74.7	99.6	
63"	-	-	74.7	99.6	
19-1/8"	63"	90.0	120.0	90.0	120.0
26-1/2"		90.0	120.0	90.0	120.0
32"		90.0	120.0	90.0	120.0
37"		90.0	120.0	90.0	120.0
53-1/8"		-	-	71.2	94.9
63"	-	-	60.0	80.0	
19-1/8"	74-1/4"	90.0	120.0	90.0	120.0
26-1/2"		90.0	120.0	90.0	120.0
32"		-	-	90.0	120.0
37"		-	-	90.0	120.0
53-1/8"	-	-	71.2	94.9	
19-1/8"	96"	90.0	120.0	90.0	120.0
26-1/2"		-	-	90.0	120.0
32"		-	-	90.0	120.0
37"		-	-	90.0	120.0



GLASS TYPE 'AA'
13/16" OVERALL INSUL. LAM. GLASS



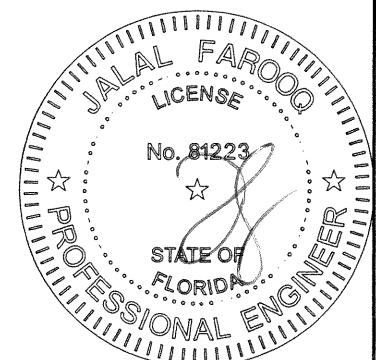
GLAZING OPTIONS



GLASS TYPE 'B'
7/16" OVERALL LAM. GLASS

NOTE:
GLASS CAPACITIES ON THIS SHEET ARE
BASED ON ASTM E1300-09 (3 SEC. GUSTS).

NOV 10 2020



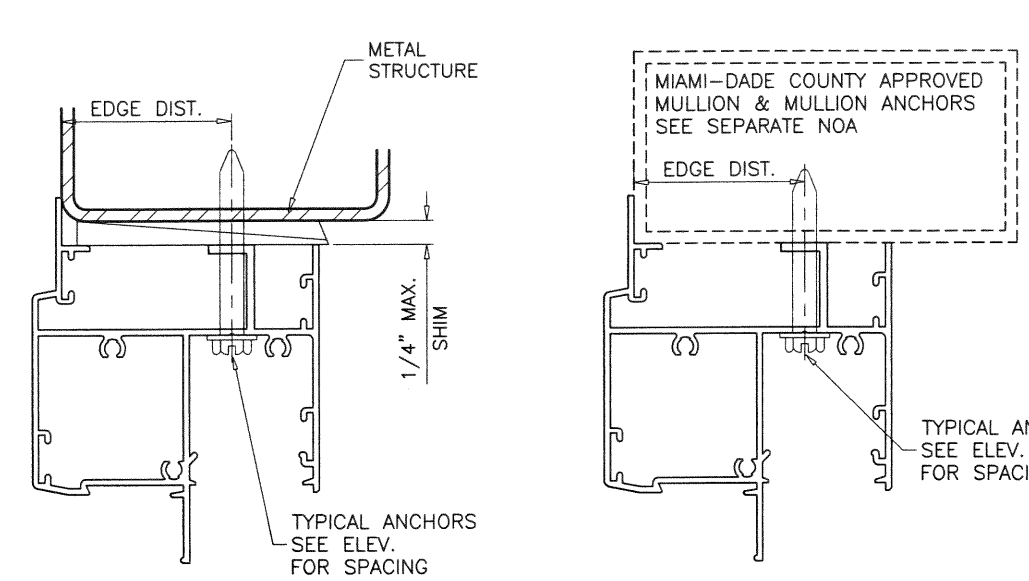
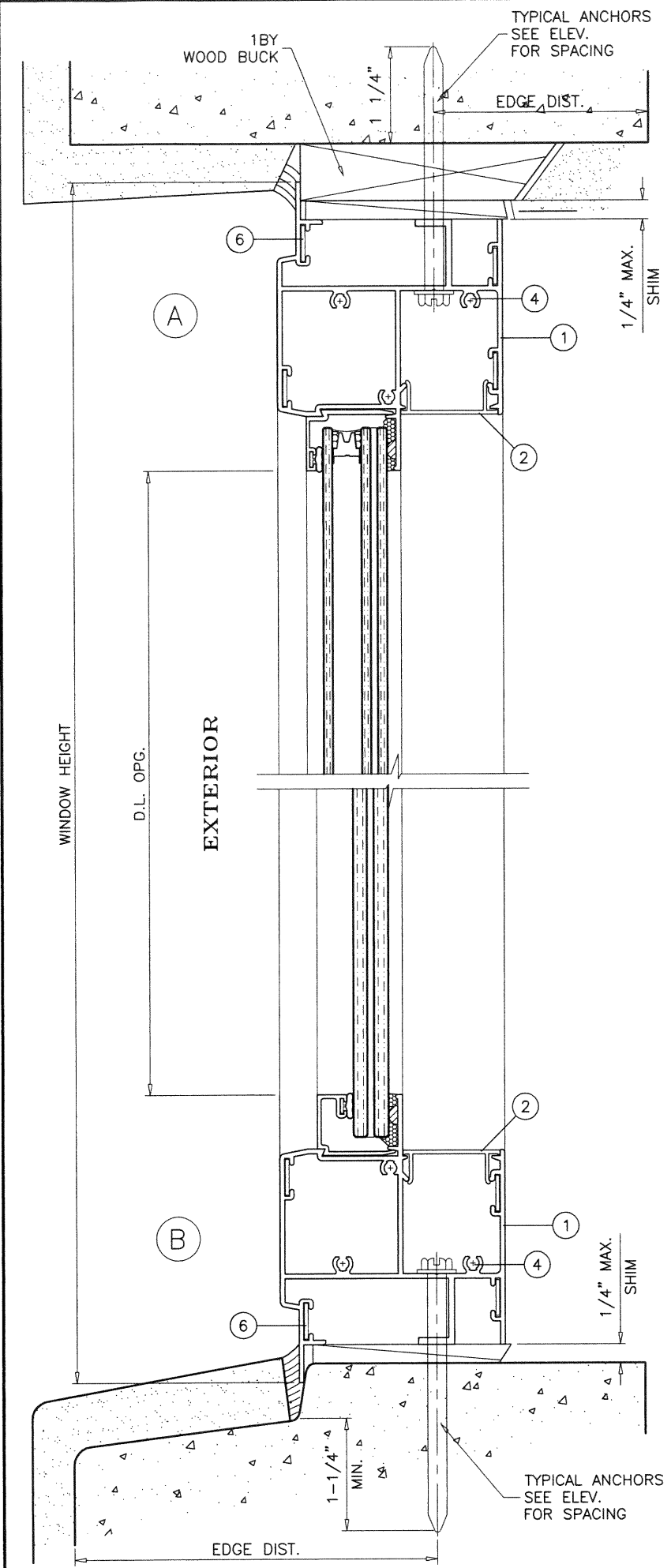
af c
AL-FAROOQ CORPORATION
ENGINEERS & PRODUCT DEVELOPMENT
9360 SUNSET DRIVE, SUITE 220
MIAMI, FLORIDA 33173 (C.A.N. 3538)
TEL. (305) 262-6978 FAX. (305) 264-8100
COMP-ANL\W15-14ECO

S-550 ALUMINUM FIXED WINDOW (S.M.I.)
ECO WINDOW SYSTEMS, LLC.
8502 N.W. 80th STREET
MEDLEY, FL. 33166
TEL. (305) 885-5299 FAX (305) 885-5902

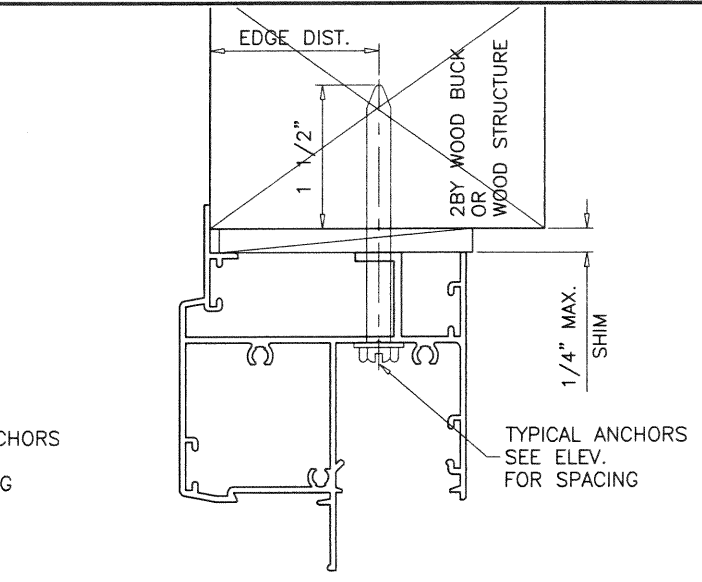
no	date	by	description
A	06.10.16		NO CHANGE THIS SHEET
B	09.27.17		UPDATED TO 2017 FBC
C	11.05.20		UPDATED TO 2020 FBC

date: 03-27-15
scale: 1/2" = 1"
dr. by: TARIQ
chk. by:

drawing no.
W15-14
sheet 2 of 6



WOOD BUCKS AND METAL STRUCTURE NOT BY 'ECO WDW.' MUST SUSTAIN LOADS IMPOSED BY GLAZING SYSTEM AND TRANSFER THEM TO THE BUILDING STRUCTURE.



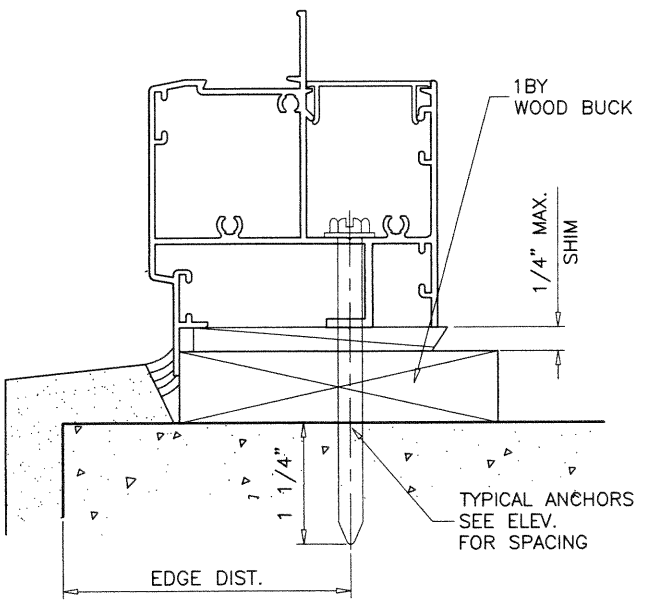
TYPICAL ANCHORS: SEE ELEV. FOR SPACING
1/4" DIA. ULTRACON+ BY 'DEWALT' (Fu=164 KSI, Fy=148 KSI)
 INTO 2BY WOOD BUCKS OR WOOD STRUCTURES
 1-1/2" MIN. PENETRATION INTO WOOD (HEAD/SILL/JAMBS)
 THRU 1BY BUCKS INTO CONC. OR BLOCKS
 1-1/4" MIN. EMBED INTO CONCRETE (HEAD/SILL/JAMBS)
 1-1/4" MIN. EMBED INTO BLOCKS (JAMBS)
 DIRECTLY INTO CONCRETE OR BLOCKS
 1-1/4" MIN. EMBED INTO CONCRETE (HEAD/SILL/JAMBS)
 1-1/4" MIN. EMBED INTO BLOCKS (JAMBS)

#14 SMS OR SELF DRILLING SCREWS (GRADE 2 CRS)
 INTO METAL STRUCTURES (HEAD/SILL/JAMBS)
 (3) THREADS MIN. PENETRATION BEYOND SUBSTRATE
 ALUMINUM: 1/8" THK. MIN. (6063-T5 MIN.)
 STEEL: 1/8" THK. MIN. (Fy = 36 KSI MIN.)
 (STEEL IN CONTACT WITH ALUMINUM TO BE PLATED OR PAINTED)

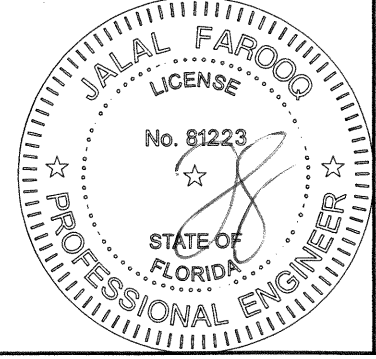
#12 SMS OR SELF DRILLING SCREWS (GRADE 2 CRS)
 INTO MIAMI-DADE COUNTY APPROVED MULLIONS
 (3) THREADS MIN. PENETRATION BEYOND SUBSTRATE
 (NO SHIM SPACE)
 ALUMINUM: 1/8" THK. MIN. (6063-T5 MIN.)
 STEEL: 1/8" THK. MIN. (Fy = 36 KSI MIN.)
 (STEEL IN CONTACT WITH ALUMINUM TO BE PLATED OR PAINTED)

TYPICAL EDGE DISTANCE
 INTO CONCRETE AND MASONRY = 2-1/2" MIN.
 INTO WOOD STRUCTURE = 1" MIN.
 INTO METAL STRUCTURE = 3/4" MIN.

WOOD AT HEAD, SILL OR JAMBS SG = 0.55 MIN.
 CONCRETE AT HEAD, SILL OR JAMBS f'c = 3000 PSI MIN.
 C-90 HOLLOW/FILLED BLOCK AT JAMBS f'm = 2000 PSI MIN.



PRODUCT REVISED
 as complying with the Florida Building Code
 NOA-No. 20-1119.03
 Expiration Date 06/23/2026 NOV 10 2020
 By *[Signature]*
 Miami-Dade Product Control



af c
AL-FAROOQ CORPORATION
 ENGINEERS & PRODUCT DEVELOPMENT
 9360 SUNSET DRIVE, SUITE 220
 MIAMI, FLORIDA 33173 (C.A.N. 3538)
 TEL. (305) 264-8100 FAX. (305) 262-6978
 COMP-ANL W15-14ECO

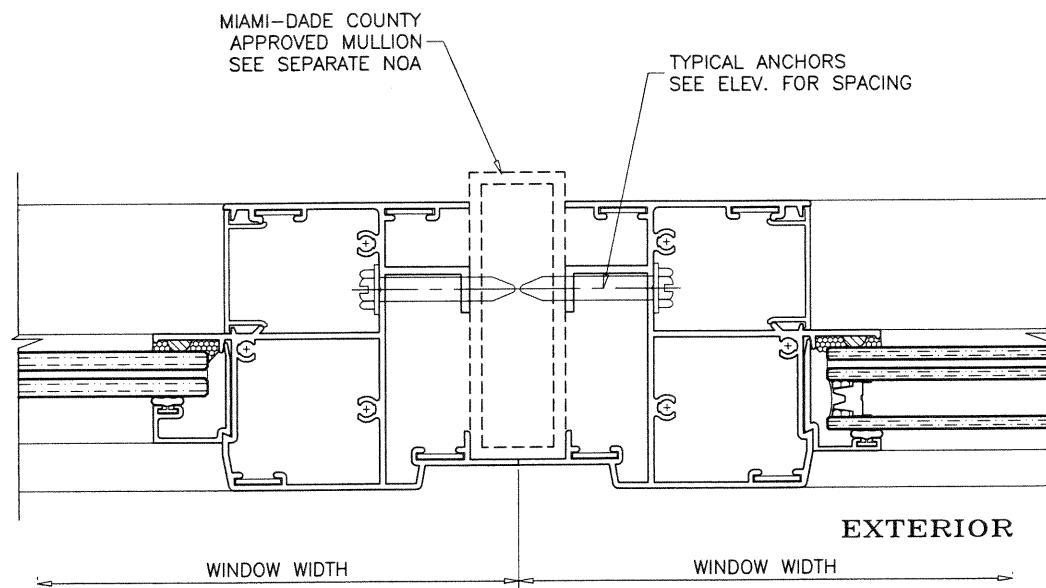
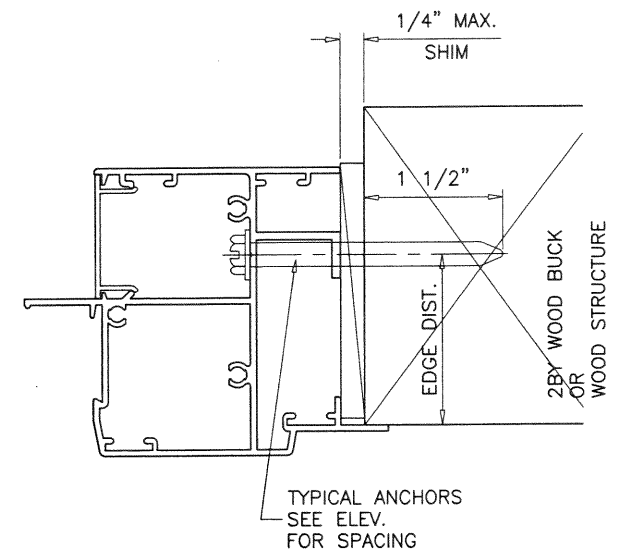
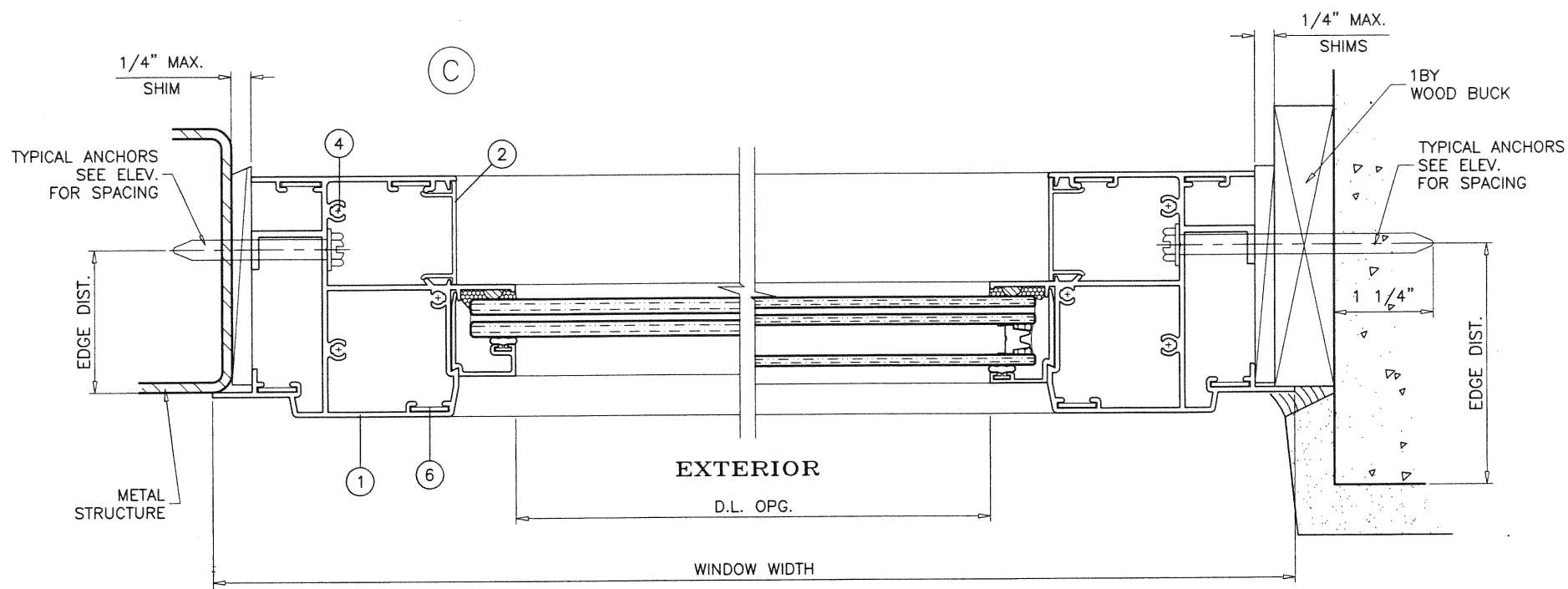
S-550 ALUMINUM FIXED WINDOW (S.M.I.)
ECO WINDOW SYSTEMS, LLC.
 8502 N.W. 80th STREET
 MEDLEY, FL. 33166
 TEL. (305) 885-5299 FAX (305) 885-5902

revisions:

no	date	description
A	06.10.16	REV. PER RER COMMENTS
B	09.27.17	UPDATED TO 2017 FBC
C	11.05.20	UPDATED TO 2020 FBC

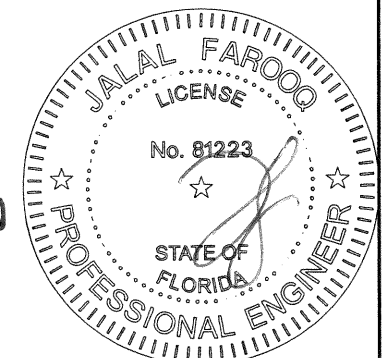
date: 03-27-15
 scale: 1/2" = 1"
 dr. by: TARIQ
 chk. by:

drawing no.
W15-14
 sheet 3 of 6



PRODUCT REVISED
 as complying with the Florida
 Building Code
 NOA-No. 20-1119.03
 Expiration Date 06/23/2026
 By *[Signature]*
 Miami-Dade Product Control

NOV 10 2020



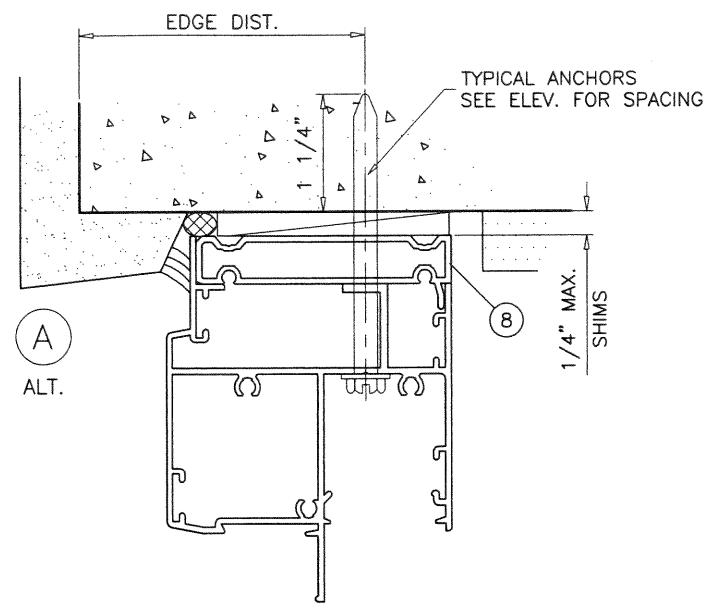
af c
AL-FAROOQ CORPORATION
 ENGINEERS & PRODUCT DEVELOPMENT
 9360 SUNSET DRIVE, SUITE 220 (C.A.N. 3538)
 MIAMI, FLORIDA 33173
 TEL. (305) 264-8100 FAX (305) 262-6978
 COMP-ANL W15-14ECO

S-550 ALUMINUM FIXED WINDOW (S.M.I.)
ECO WINDOW SYSTEMS, LLC.
 8502 N.W. 80th STREET
 MEDLEY, FL. 33166
 TEL. (305) 885-5299 FAX (305) 885-5902

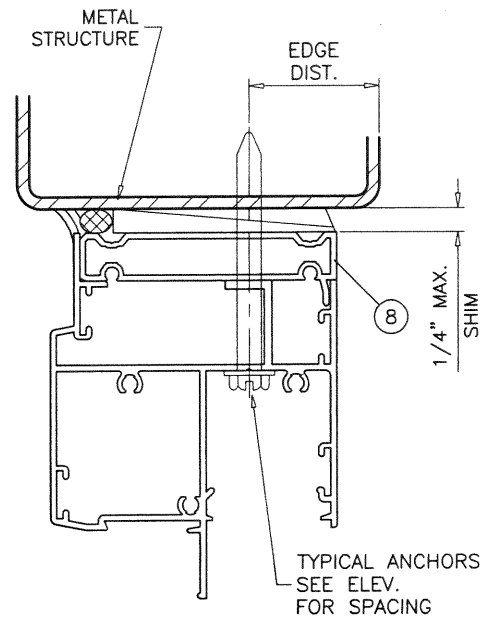
no	date	by	description
A	06.10.16		NO CHANGE THIS SHEET
B	09.27.17		UPDATED TO 2017 FBC
C	11.05.20		UPDATED TO 2020 FBC

date:	03-27-15
scale:	1/2" = 1"
dr. by:	TARIQ
chk. by:	

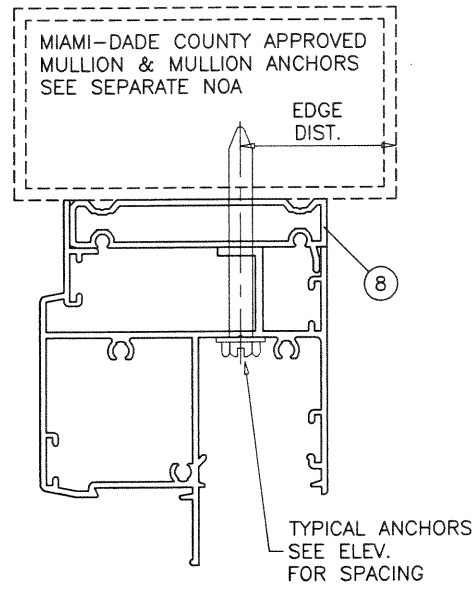
drawing no.
W15-14
 sheet 4 of 6



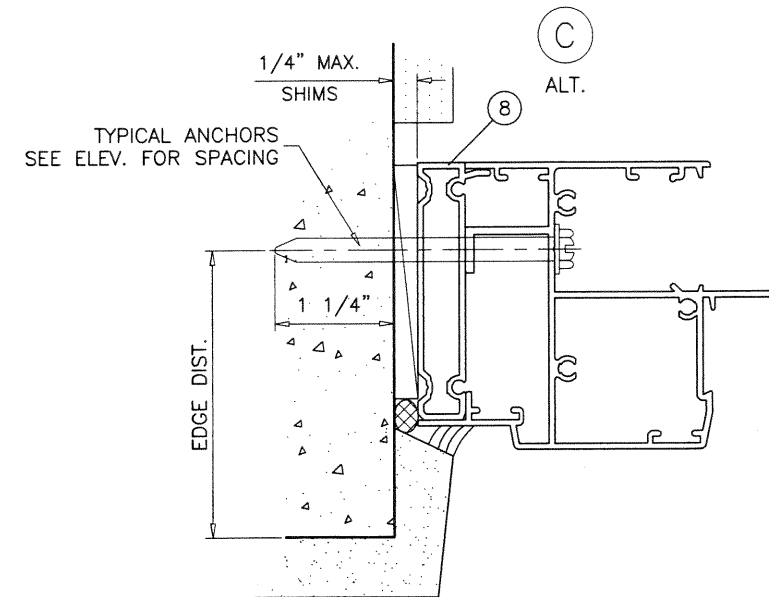
A
ALT.



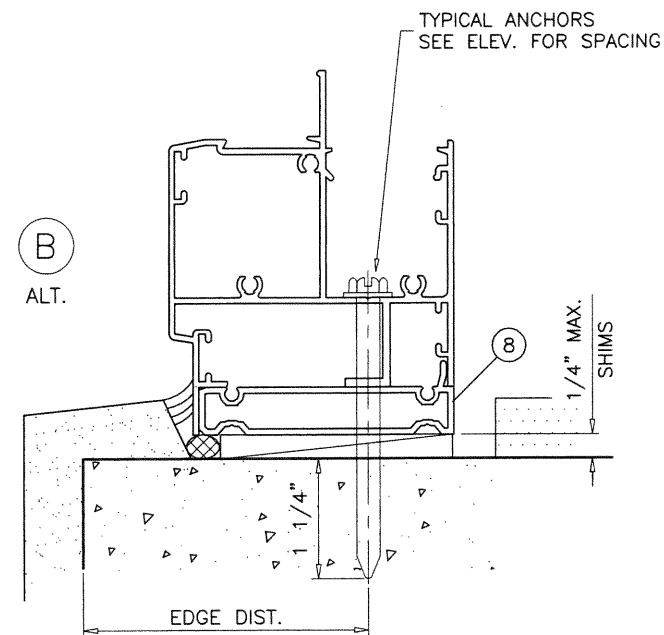
TYPICAL ANCHORS
SEE ELEV.
FOR SPACING



TYPICAL ANCHORS
SEE ELEV.
FOR SPACING



C
ALT.

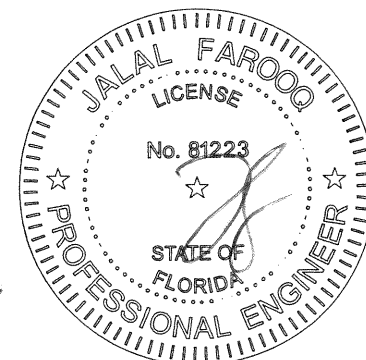


B
ALT.

INSTALLATION DETAILS WITH FLUSH FRAME ADAPTER

PRODUCT REVISED
as complying with the Florida
Building Code
NOA-No. 20-1119.03
Expiration Date 06/23/2026
By *[Signature]*
Miami-Dade Product Control

NOV 10 2020



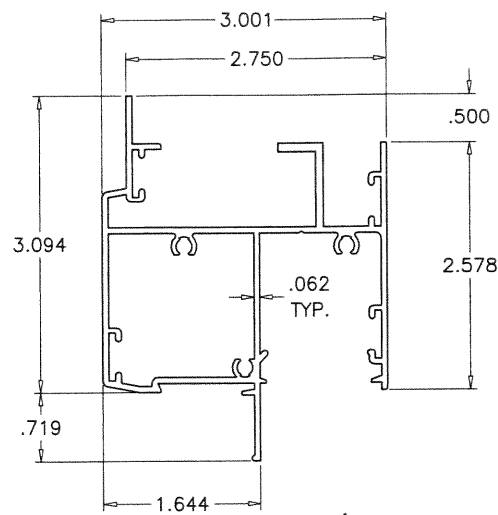
af c
AL-FAROOQ CORPORATION
ENGINEERS & PRODUCT DEVELOPMENT
9360 SUNSET DRIVE, SUITE 220
MIAMI, FLORIDA 33173 (C.A.N. 3538)
TEL. (305) 264-8100 FAX. (305) 262-6978
COMP-ANL\W15-14ECO

S-550 ALUMINUM FIXED WINDOW (S.M.I.)
ECO WINDOW SYSTEMS, LLC.
8502 N.W. 80th STREET
MEDLEY, FL. 33166
TEL. (305) 885-5299 FAX (305) 885-5902

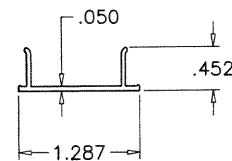
no	date	by	description
A	06.10.16		NO CHANGE THIS SHEET
B	09.27.17		UPDATED TO 2017 FBC
C	11.05.20		UPDATED TO 2020 FBC

date:	03-27-15
scale:	1/2" = 1"
dr. by:	TARIQ
chk. by:	

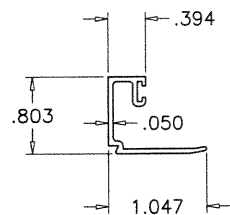
drawing no.
W15-14
sheet 5 of 6



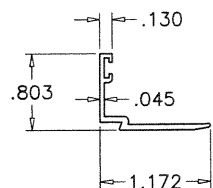
① FRAME HEAD/SILL/JAMB



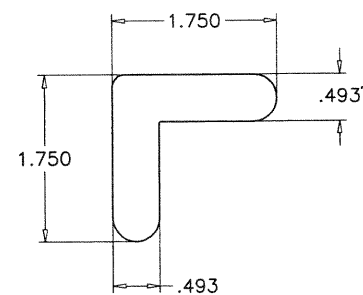
② SNAP COVER



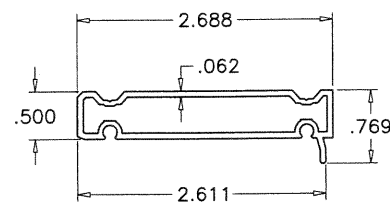
③ GLAZING BEAD (7/16" LAM. GLASS)



③A GLAZING BEAD (INSUL. LAM. GLASS)



⑥ CORNER KEY

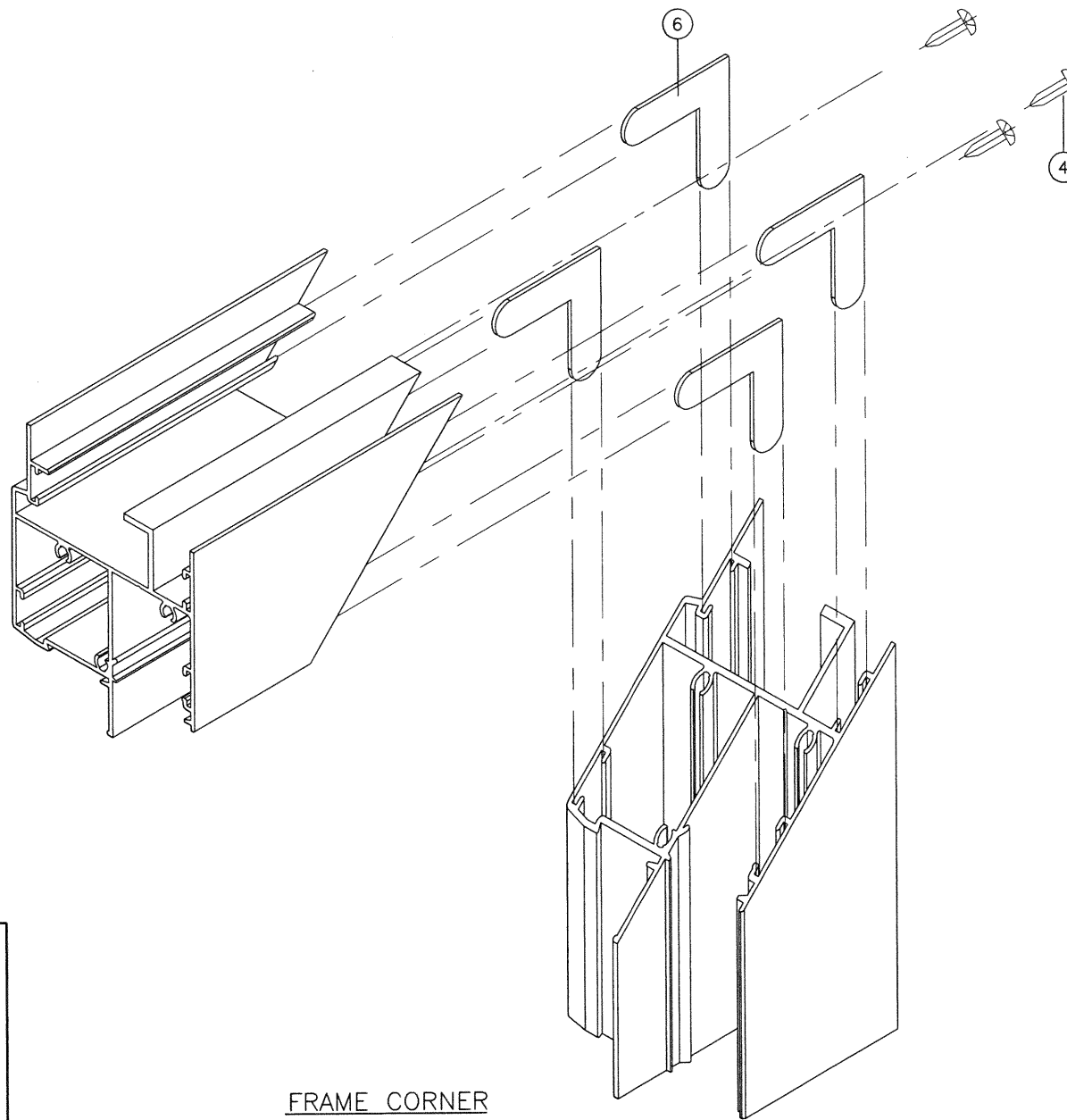


⑧ FLUSH FRAME ADAPTER

SEALANT:

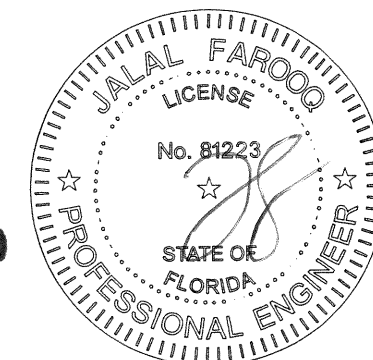
ALL JOINTS AND FRAME CONNECTIONS SEALED WITH SCHNEE-MOREHEAD SM5504 SEAM SEALER.

ITEM	PART #	QUANTITY	DESCRIPTION	MATERIAL	MANF./SUPPLIER/REMARKS
1	E503	4	FRAME HEAD/SILL/JAMB	6063-T6	-
2	E504	4	SNAP COVER	6063-T6	-
3	FY109	AS REQD.	GLAZING BEAD (7/16" LAM. GLASS)	6063-T6	-
3A	E505	AS REQD.	GLAZING BEAD (INSUL. LAM. GLASS)	6063-T6	-
4	#10 X 1-1/4"	3/ CORNER	ASSEMBLY SCREWS	-	-
5	E203	AS REQD.	GLAZING BEAD BULB, DUROMETER 65	SANTOPRENE	ULTRAFAB
6	PSJ40-SS	2/ CORNER	FRAME CORNER KEY	ST. STEEL	-
7	FLB-50	-	GLASS SPACER - 1/8" HIGH	SILICONE	FRANK LOWE
8	FY120	AS REQD.	FLUSH FRAME ADAPTER	6063-T6	OPTIONAL
9	-	AS REQD.	SETTING BLOCK, 3/16" X 3/4", X 4" LONG	EPDM	DUROMETER 80±5 SHORE A



FRAME CORNER

PRODUCT REVISED
 as complying with the Florida
 Building Code
 NOA-No. 20-1119.03
 Expiration Date 06/23/2026
 By *[Signature]*
 Miami-Dade Product Control



NOV 10 2020

af c
AL-FAROOQ CORPORATION
 ENGINEERS & PRODUCT DEVELOPMENT
 9360 SUNSET DRIVE, SUITE 220
 MIAMI, FLORIDA 33173 (C.A.N. 3538)
 TEL. (305) 264-8100 FAX. (305) 262-6978
 COMP-ANL\W15-14ECO

S-550 ALUMINUM FIXED WINDOW (S.M.I.)
ECO WINDOW SYSTEMS, LLC.
 8502 N.W. 80th STREET
 MEDLEY, FL. 33166
 TEL. (305) 885-5299 FAX (305) 885-5902

no	date	description
A	06.10.16	NO CHANGE THIS SHEET
B	09.27.17	UPDATED TO 2017 FBC
C	11.05.20	UPDATED TO 2020 FBC

date: 03-27-15
 scale: 1/2" = 1"
 dr. by: TARIQ
 chk. by:

drawing no.
W15-14
 sheet 6 of 6