



MIAMI-DADE COUNTY
PRODUCT CONTROL SECTION

11805 SW 26 Street, Room 208
Miami, FL 33175

T (786) 315-2590 F (786) 315-2599

DEPARTMENT OF REGULATORY AND ECONOMIC RESOURCES (RER)
BOARD AND CODE ADMINISTRATION DIVISION

www.miamidade.gov/economy

NOTICE OF ACCEPTANCE (NOA)

Eco Window Systems, LLC
8502 NW 80 Street
Medley, FL 33166

SCOPE:

This NOA is being issued under the applicable rules and regulations governing the use of construction materials. The documentation submitted has been reviewed and accepted by Miami-Dade County RER - Product Control Section to be used in Miami Dade County and other areas where allowed by the Authority Having Jurisdiction (AHJ).

This NOA shall not be valid after the expiration date stated below. The Miami-Dade County Product Control Section (In Miami Dade County) and/or the AHJ (in areas other than Miami Dade County) reserve the right to have this product or material tested for quality assurance purposes. If this product or material fails to perform in the accepted manner, the manufacturer will incur the expense of such testing and the AHJ may immediately revoke, modify, or suspend the use of such product or material within their jurisdiction. RER reserves the right to revoke this acceptance, if it is determined by Miami-Dade County Product Control Section that this product or material fails to meet the requirements of the applicable building code.

This product is approved as described herein, and has been designed to comply with the Florida Building Code, including the High Velocity Hurricane Zone.

DESCRIPTION: Series "Eco-Guard 300" Aluminum Fixed Window – S.M.I.

APPROVAL DOCUMENT: Drawing No. **W14-16**, titled "Eco-Guard Series-300 Alum. Fixed Wdw. (S.M.I.)", sheets 1 through 5 of 5, dated 04/07/14, with revision **C** dated 11/05/20, prepared by Al-Farooq Corporation, signed and sealed by Jalal Farooq, P.E., bearing the Miami-Dade County Product Control Section Revision Stamp with the Notice of Acceptance number and expiration date by the Miami-Dade County Product Control Section.

MISSILE IMPACT RATING: Small Missile Impact Resistant

LABELING: Each unit shall bear a permanent label with the manufacturer's name or logo, city, state, model/series, and following statement: "Miami-Dade County Product Control Approved", unless otherwise noted herein.

RENEWAL of this NOA shall be considered after a renewal application has been filed and there has been no change in the applicable building code negatively affecting the performance of this product.

TERMINATION of this NOA will occur after the expiration date or if there has been a revision or change in the materials, use, and/or manufacture of the product or process. Misuse of this NOA as an endorsement of any product, for sales, advertising or any other purposes shall automatically terminate this NOA. Failure to comply with any section of this NOA shall be cause for termination and removal of NOA.

ADVERTISEMENT: The NOA number preceded by the words Miami-Dade County, Florida, and followed by the expiration date may be displayed in advertising literature. If any portion of the NOA is displayed, then it shall be done in its entirety.

INSPECTION: A copy of this entire NOA shall be provided to the user by the manufacturer or its distributors and shall be available for inspection at the job site at the request of the Building Official.

This NOA **revises NOA No. 19-1119.02** and consists of this page 1 and evidence page E-1 and E-2, as well as approval document mentioned above.

The submitted documentation was reviewed by **Sifang Zhao, P.E.**



S.Z.

02/05/2021

NOA No. 20-1119.06
Expiration Date: January 29, 2025
Approval Date: February 05, 2021
Page 1

NOTICE OF ACCEPTANCE: EVIDENCE SUBMITTED

1. EVIDENCE SUBMITTED UNDER PREVIOUS NOAs

A. DRAWINGS

1. Manufacturer's die drawings and sections. (*Submitted under NOA No. 14-0910.06*)
2. Drawing No. **W14-16**, titled "Eco-Guard Series-300 Alum Fixed Wdw. (S.M.I.)", sheets 1 through 5 of 5, dated 04/07/14, with revision **B** dated 10/19/17, prepared by Al-Farooq Corporation, signed and sealed by Javad Ahmad, P.E.

B. TESTS

1. Test reports on: 1) Air Infiltration Test, per FBC, TAS 202-94
2) Uniform Static Air Pressure Test, Loading per FBC, TAS 202-94
3) Water Resistance Test, per FBC, TAS 202-94
along with marked-up drawings and installation diagram of an aluminum fixed window, prepared by Hurricane Engineering & Testing, Inc., Test Report No. **HETI-10-3156**, dated 12/29/10, signed and sealed by Candido F. Font, P.E.
2. Test reports on: 1) Large Missile Impact Test per FBC, TAS 201-94
2) Cyclic Wind Pressure Loading per FBC, TAS 203-94
along with marked-up drawings and installation diagram of an aluminum fixed window, prepared by Hurricane Engineering & Testing, Inc., Test Report No. **HETI-10-3157**, dated 12/29/10 and revised on 04/04/11, signed and sealed by Rafael E. Droz-Seda, P.E.

C. CALCULATIONS

1. Anchor verification calculations and structural analysis, complying with **FBC-5th Edition (2014)**, prepared by Al-Farooq Corporation, dated 08/05/14, signed and sealed by Javad Ahmad, P.E.
2. Glazing complies with **ASTM E1300-09**

D. QUALITY ASSURANCE

1. Miami-Dade Department of Regulatory and Economic Resources (RER)

E. MATERIAL CERTIFICATIONS

1. Notice of Acceptance No. **19-0305.02** issued to **Kuraray America, Inc.** for their "**Trosifol® Ultraclear, Clear and Color PVB Interlayers**" dated 05/09/19, expiring on 07/08/24.

F. STATEMENTS

1. Statement letter of conformance, complying with **FBC 6th Edition (2017)**, and of no financial interest, dated November 11, 2019, prepared by Al-Farooq Corporation, signed and sealed by Javad Ahmad, P.E.
2. Proposal No. **10-1104** issued by the Product Control Section, dated 10/22/10, signed by Manuel Perez, P.E.



Sifang Zhao, P.E.
Product Control Examiner
NOA No. 20-1119.06
Expiration Date: January 29, 2025
Approval Date: February 05, 2021

Eco Window Systems, LLC

NOTICE OF ACCEPTANCE: EVIDENCE SUBMITTED

G. OTHERS

1. Notice of Acceptance No. 17-1102.21, issued to Eco Window Systems, LLC for their Series “Eco-Guard 300” Aluminum Fixed Window -S.M.I., approved on 01/11/18 and expiring on 01/29/20.

2. NEW EVIDENCE SUBMITTED

A. DRAWINGS

1. Drawing No. **W14-16**, titled “Eco-Guard Series-300 Alum. Fixed Wdw. (S.M.I.)”, sheets 1 through 5 of 5, dated 04/07/14, with revision **C** dated 11/05/20, prepared by Al-Farooq Corporation, signed and sealed by Jalal Farooq, P.E.

B. TESTS

1. None.

C. CALCULATIONS

1. None.

D. QUALITY ASSURANCE

1. Miami-Dade Department of Regulatory and Economic Resources (RER)

E. MATERIAL CERTIFICATIONS

1. Notice of Acceptance No. **20-0915.22** issued to **Kuraray America, Inc.** for their “**Trosifol® Ultraclear, Clear and Color PVB Glass Interlayers**”, expiring on 07/08/24.

F. STATEMENTS

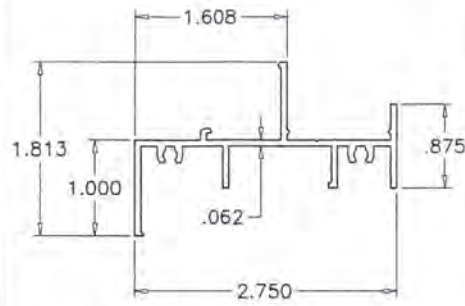
1. Statement letter of conformance, complying with **FBC 6th Edition (2017)**, with **FBC 7th Edition (2020)**, and of no financial interest, dated 11/05/2020, prepared by Al-Farooq Corporation, signed and sealed by Jalal Farooq, P.E.

G. OTHERS

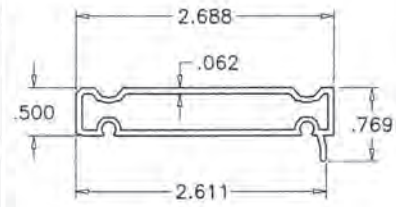
1. Notice of Acceptance No. **19-1119.02**, issued to Eco Window Systems, LLC for their Series “Eco-Guard 300” Aluminum Fixed Window -S.M.I., approved on 12/19/2019 and expiring on 01/29/2025.



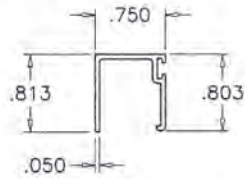
Sifang Zhao, P.E.
Product Control Examiner
NOA No. 20-1119.06
Expiration Date: January 29, 2025
Approval Date: February 05, 2021



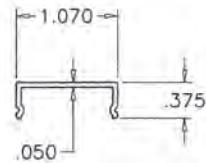
① FRAME HEAD/SILL/JAMB



⑦ FLUSH FRAME ADAPTER



② GLAZING BEAD



③ ANCHOR COVER

**ECO-GUARD SERIES-300
ALUMINUM FIXED WINDOW**

APPROVAL APPLIES TO SINGLE UNITS OR SIDE BY SIDE COMBINATIONS OF FIX./FIX. OR FIXED WITH OTHER WINDOW TYPES IN MODULES OF TWO OR MORE WINDOWS USING MIAMI-DADE COUNTY APPROVED MULLIONS IN BETWEEN. LOWER DESIGN PRESSURE FROM WINDOWS OR MULLION APPROVAL WILL APPLY TO ENTIRE SYSTEM.

THIS PRODUCT HAS BEEN DESIGNED AND TESTED TO COMPLY WITH THE REQUIREMENTS OF THE 2017 (6TH EDITION)/2020 (7TH EDITION) FLORIDA BUILDING CODE INCLUDING HIGH VELOCITY HURRICANE ZONE (HVHZ).

1BY OR 2BY WOOD BUCKS & BUCK FASTENERS BY OTHERS, MUST BE DESIGNED AND INSTALLED ADEQUATELY TO TRANSFER APPLIED PRODUCT LOADS TO THE BUILDING STRUCTURE.

ANCHORS SHALL BE CORROSION RESISTANT, SPACED AS SHOWN ON DETAILS AND INSTALLED PER MANUF'S INSTRUCTIONS. SPECIFIED EMBEDMENT TO BASE MATERIAL SHALL BE BEYOND WALL DRESSING OR STUCCO.

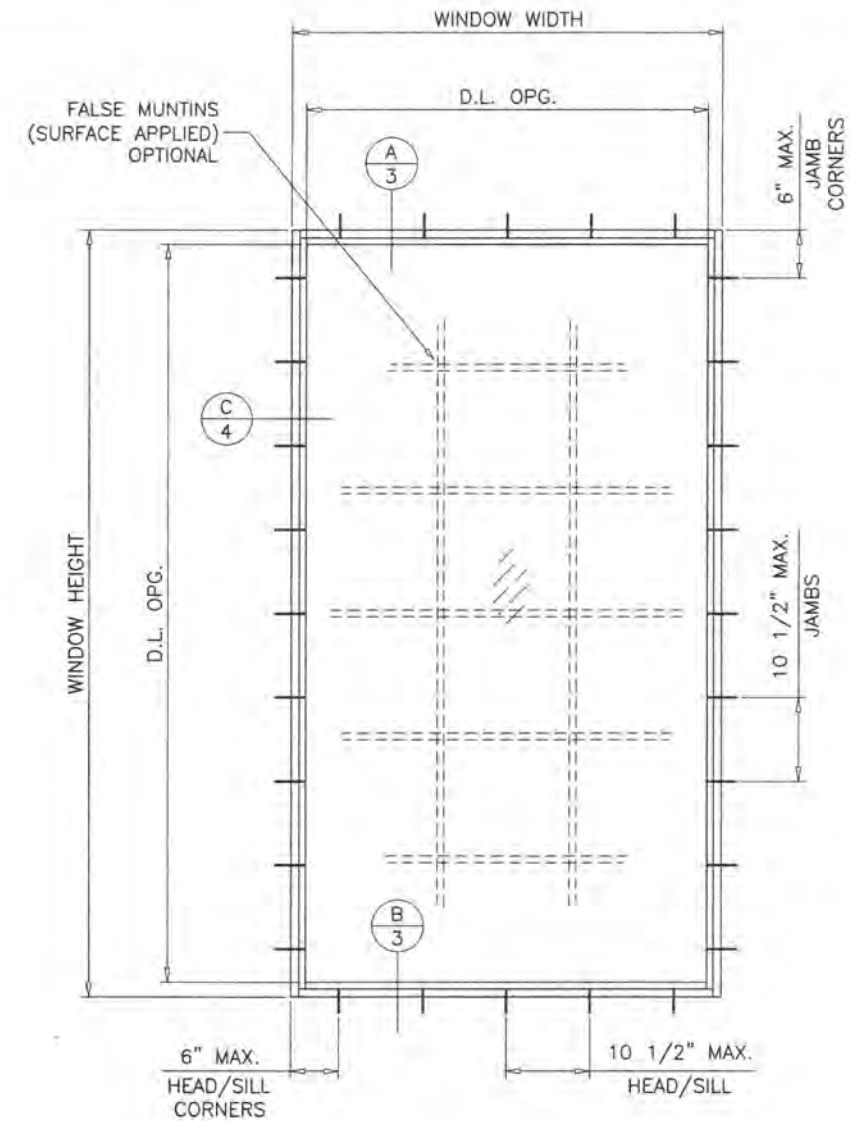
A LOAD DURATION INCREASE IS USED IN DESIGN OF ANCHORS INTO WOOD ONLY.

ALL SHIMS TO BE HIGH IMPACT, NON-METALLIC AND NON-COMPRESSIBLE.

MATERIALS INCLUDING BUT NOT LIMITED TO STEEL/METAL SCREWS, THAT COME INTO CONTACT WITH OTHER DISSIMILAR MATERIALS SHALL MEET THE REQUIREMENTS OF THE 2017/2020 FLORIDA BLDG. CODE & ADOPTED STANDARDS.

THIS PRODUCT APPROVAL IS GENERIC AND DOES NOT PROVIDE INFORMATION FOR A SITE SPECIFIC PROJECT, I.E. LIFE SAFETY OF THIS PRODUCT, ADEQUACY OF STRUCTURE RECEIVING THIS PRODUCT AND SEALING AROUND OPENING FOR WATER INFILTRATION RESISTANCE ETC. CONDITIONS NOT SHOWN IN THIS DRAWING ARE TO BE ANALYZED SEPARATELY, AND TO BE REVIEWED BY BUILDING OFFICIAL.

DESIGN LOADS SHOWN ARE BASED ON 'ALLOWABLE STRESS DESIGN (ASD)'.



TYPICAL ELEVATION

GLASS D.L.O. DIMS.

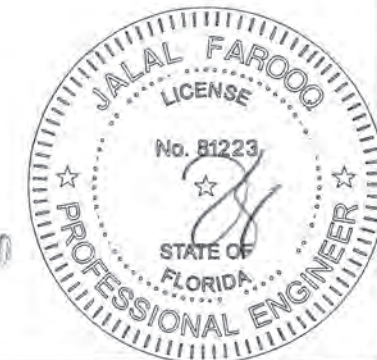
D.L.O. HEIGHT = WINDOW HEIGHT - 3.625"

D.L.O. WIDTH = WINDOW WIDTH - 3.625"

PRODUCT REVISED
as complying with the Florida Building Code
NOA-No. 20-1119.06

Expiration Date 01/29/2025

By *[Signature]*
Miami-Dade Product Control



THESE WINDOWS ARE RATED FOR SMALL MISSILE IMPACT. MIAMI-DADE COUNTY APPROVED IMPACT RESISTANT SHUTTERS REQUIRED FOR INSTALLATIONS UP TO 30 FT. OF GRADE. SHUTTERS NOT REQD. FOR INSTALLATIONS ABOVE 30 FT. OF GRADE.

af c
AL-FAROOQ CORPORATION
ENGINEERS & PRODUCT DEVELOPMENT
9360 SUNSET DRIVE, SUITE 220
MIAMI, FLORIDA 33173 (C.A.N. 3538)
TEL. (305) 264-8100 FAX. (305) 262-6978
COMP-ANL W14-16ECO

ECO-GUARD SERIES-300 ALUM FIXED WDW. (S.M.I.)
ECO WINDOW SYSTEMS, LLC.
8502 N.W. 80th STREET
MEDLEY, FL. 33166
TEL. (305) 885-5299 FAX (305) 885-5902

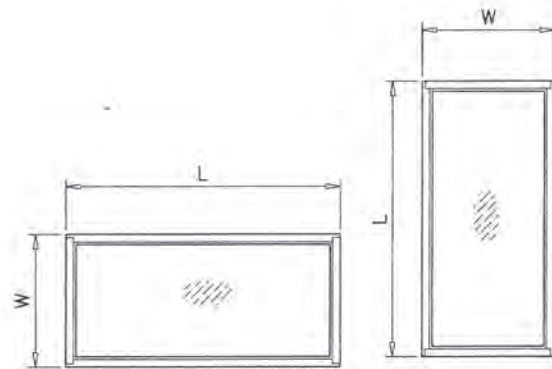
no	date	description	by
A	01.14.15	REV. PER RER COMMENTS	
B	10.19.17	UPDATED TO 2017 FBC	
C	11.05.20	UPDATED TO 2020 FBC	

date: 04-07-14
scale: 1/2" = 1"
dr. by: TARIO
chk. by:

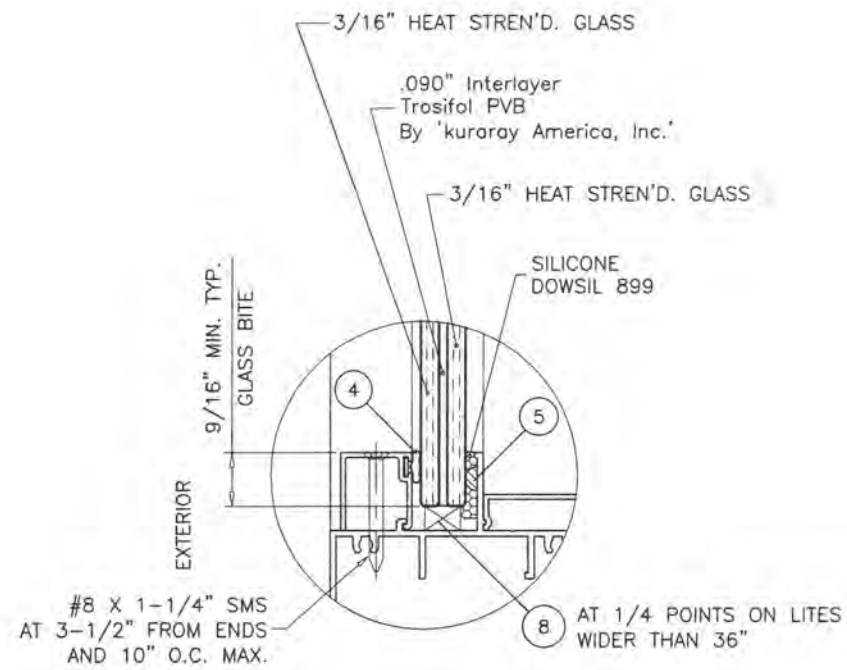
drawing no.
W14-16
sheet 1 of 5

DESIGN LOAD CAPACITY - PSF			
WINDOW DIMS.		7/16" LAM. GLASS	
WIDTH (W)	LENGTH (L)	EXT.(+)	INT.(-)
24"	36"	100.0	150.0
30"		100.0	150.0
36"		100.0	150.0
42"		100.0	150.0
48"		100.0	150.0
54"		100.0	150.0
60"		100.0	150.0
66"		100.0	150.0
72"	100.0	150.0	
24"	48"	100.0	150.0
30"		100.0	150.0
36"		100.0	150.0
42"		100.0	135.0
48"		87.5	118.1
54"		87.5	118.1
60"		87.5	118.1
66"		87.5	118.1
24"	60"	100.0	150.0
30"		100.0	150.0
36"		100.0	150.0
42"		100.0	135.0
48"	87.5	118.1	
24"	72"	100.0	150.0
30"		100.0	150.0
36"		100.0	150.0
42"		100.0	135.0
24"	76"	100.0	150.0
30"		100.0	150.0
36"		100.0	149.4
42"		100.0	135.0
24"	84"	100.0	150.0
30"		100.0	150.0
36"		100.0	145.1
24"	96"	100.0	150.0
30"		100.0	150.0
24"	108"	100.0	150.0
24"	120"	100.0	150.0

DESIGN LOAD CAPACITY - PSF			
WINDOW DIMS.		7/16" LAM. GLASS	
WIDTH (W)	LENGTH (L)	EXT.(+)	INT.(-)
26-1/2"	26"	100.0	150.0
37"		100.0	150.0
53-1/8"		100.0	150.0
74"		100.0	150.0
26-1/2"	38-3/8"	100.0	150.0
37"		100.0	150.0
53-1/8"		100.0	147.8
74"		100.0	144.4
26-1/2"	50-5/8"	100.0	150.0
37"		100.0	150.0
53-1/8"		83.0	112.0
26-1/2"	63"	100.0	150.0
37"		100.0	150.0
26-1/2"	76"	100.0	150.0
37"		100.0	146.6



NOTE:
GLASS CAPACITIES ON THIS SHEET ARE
BASED ON ASTM E1300-09 (3 SEC. GUSTS).



GLAZING DETAIL
7/16" OVERALL NOM. THK.

PRODUCT REVISED
as complying with the Florida
Building Code

NOA-No. 20-1119.06

Expiration Date 01/29/2025

By *[Signature]*
Miami-Dade Product Control



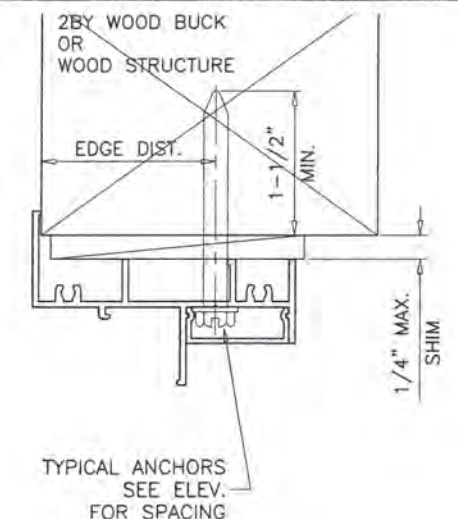
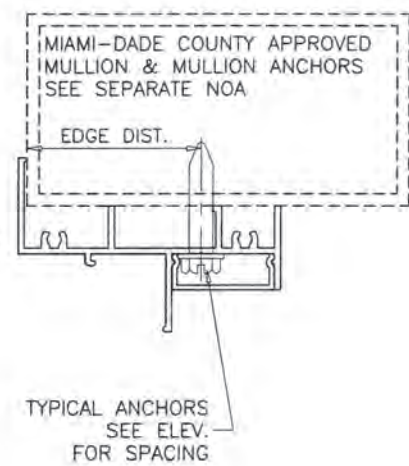
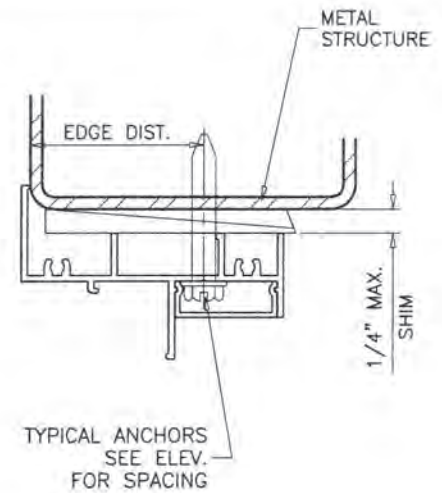
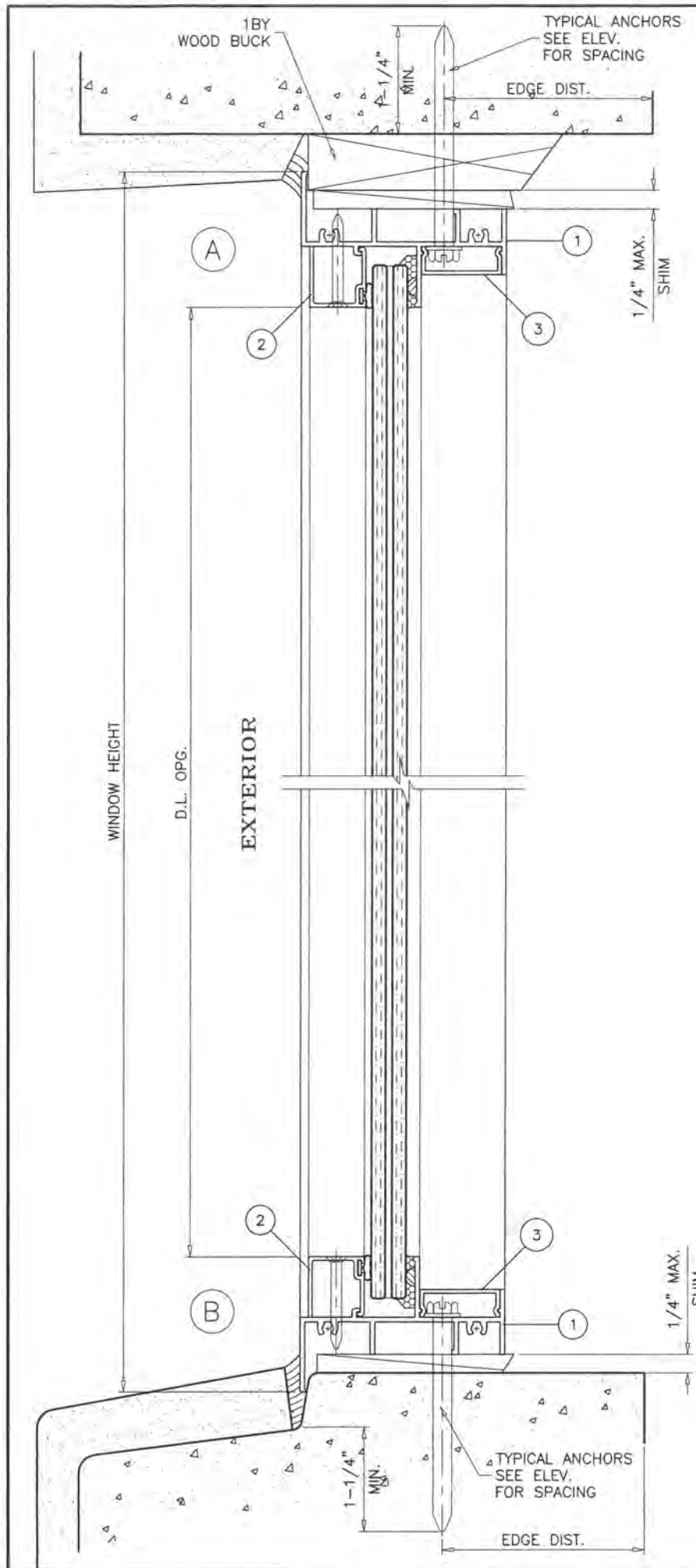
af c
AL-FAROOQ CORPORATION
ENGINEERS & PRODUCT DEVELOPMENT
9360 SUNSET DRIVE, SUITE 220
MIAMI, FLORIDA 33173 (C.A.N. 3538)
TEL. (305) 264-8100 FAX. (305) 262-6978
COMP-ANL\W14-16ECO

ECO-GUARD SERIES-300 ALUM FIXED WDW. (S.M.I.)
ECO WINDOW SYSTEMS, LLC.
8502 N.W. 80th STREET
MEDLEY, FL. 33166
TEL. (305) 885-5299 FAX (305) 885-5902

no	date	by	description
A	01.14.15		REV. PER RER COMMENTS
B	10.19.17		UPDATED TO 2017 FBC
C	11.05.20		UPDATED TO 2020 FBC

date: 04-07-14
scale: 1/2" = 1"
dr. by: TARIQ
chk. by:

drawing no.
W14-16
sheet 2 of 5



WOOD BUCKS AND METAL STRUCTURE NOT BY 'ECO WDW.' MUST SUSTAIN LOADS IMPOSED BY GLAZING SYSTEM AND TRANSFER THEM TO THE BUILDING STRUCTURE.

SEALANT:
ALL JOINTS AND FRAME CONNECTIONS SEALED WITH JOINT SEALER.

TYPICAL ANCHORS: SEE ELEV. FOR SPACING

1/4" DIA. TAPCON BY 'ITW' (Fu=125 KSI, Fy=100 KSI)

1/4" DIA. ULTRACON+ BY 'DEWALT' (Fu=164 KSI, Fy=148 KSI)

INTO 2BY WOOD BUCKS OR WOOD STRUCTURES
1-1/2" MIN. PENETRATION INTO WOOD (HEAD/SILL/JAMBS)

THRU 1BY BUCKS INTO CONC. OR BLOCKS
1-1/4" MIN. EMBED INTO CONCRETE (HEAD/SILL/JAMBS)
1-1/4" MIN. EMBED INTO BLOCKS (JAMBS)

DIRECTLY INTO CONCRETE OR BLOCKS
1-1/4" MIN. EMBED INTO CONCRETE (HEAD/SILL/JAMBS)
1-1/4" MIN. EMBED INTO BLOCKS (JAMBS)

1/4" DIA. TEKS OR SELF DRILLING SCREWS (GRADE 5 CRS)

INTO METAL STRUCTURES (HEAD/SILL/JAMBS)
(3) THREADS MIN. PENETRATION BEYOND SUBSTRATE
ALUMINUM: 1/8" THK. MIN. (6063-T5 MIN.)
STEEL: 1/8" THK. MIN. (Fy = 36 KSI MIN.)
(STEEL IN CONTACT WITH ALUMINUM TO BE PLATED OR PAINTED)

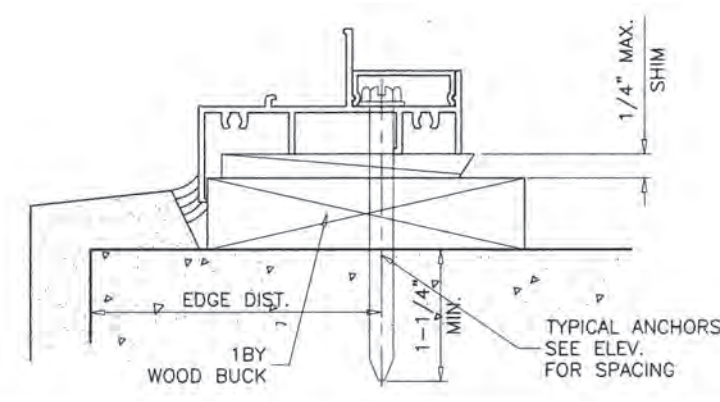
#14 SMS OR SELF DRILLING SCREWS (GRADE 2 CRS)

INTO MIAMI-DADE COUNTY APPROVED MULLIONS
(3) THREADS MIN. PENETRATION BEYOND SUBSTRATE
ALUMINUM: 1/8" THK. MIN. (6063-T5 MIN.) (NO SHIM SPACE)
STEEL: 1/8" THK. MIN. (Fy = 36 KSI MIN.) (NO SHIM SPACE)
(STEEL IN CONTACT WITH ALUMINUM TO BE PLATED OR PAINTED)

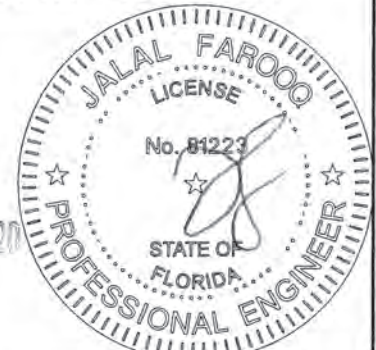
TYPICAL EDGE DISTANCE

INTO CONCRETE AND BLOCKS = 2-1/2" MIN.
INTO WOOD STRUCTURE = 1" MIN.
INTO METAL STRUCTURE = 3/4" MIN.

WOOD AT HEAD, SILL OR JAMBS SG = 0.55 MIN.
CONCRETE AT HEAD, SILL OR JAMBS f'c = 3000 PSI MIN.
C-90 HOLLOW/FILLED BLOCK AT JAMBS f'm = 2000 PSI MIN.



PRODUCT REVISED
as complying with the Florida Building Code
NOA-No. 20-1119.06
Expiration Date 01/29/2025
By *[Signature]*
Miami-Dade Product Control



af c
AL-FAROOQ CORPORATION
ENGINEERS & PRODUCT DEVELOPMENT
9360 SUNSET DRIVE, SUITE 220
MIAMI, FLORIDA 33173
TEL. (305) 264-8100 FAX. (305) 262-6978
COMP-ANL\W14-16ECO

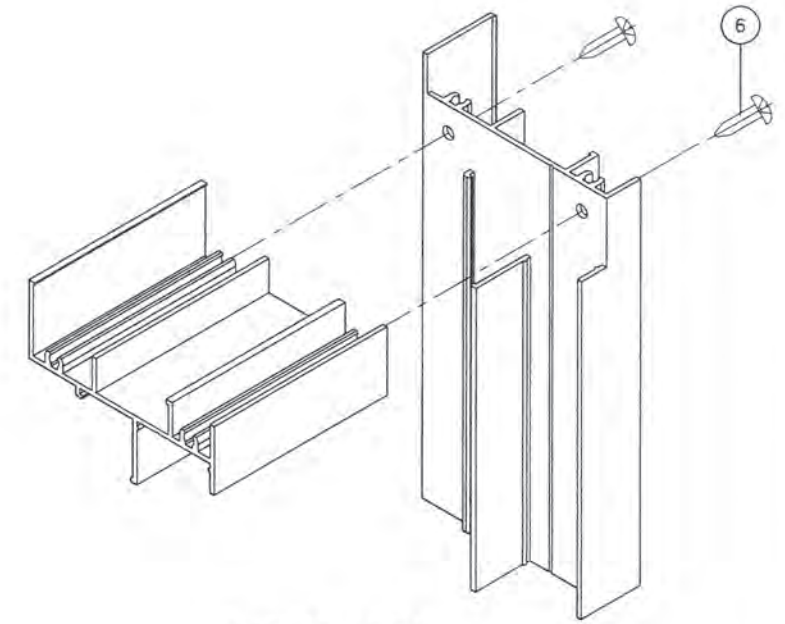
ECO-GUARD SERIES-300 ALUM FIXED WDW. (S.M.I.)
ECO WINDOW SYSTEMS, LLC.
8502 N.W. 80th STREET
MEDLEY, FL. 33166
TEL. (305) 885-5299 FAX (305) 885-5902

no	date	by	description
A	01.14.15	REV. PER	REV. COMMENTS
B	10.19.17	UPDATED	TO 2017 FBC
C	11.05.20	UPDATED	TO 2020 FBC

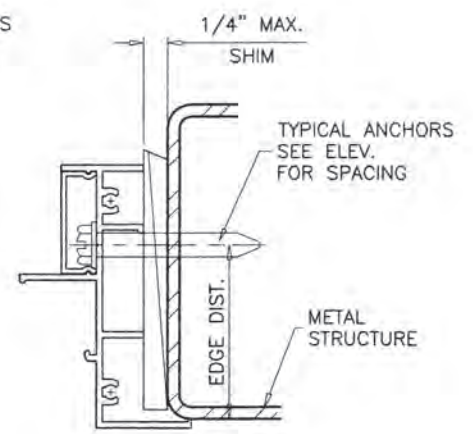
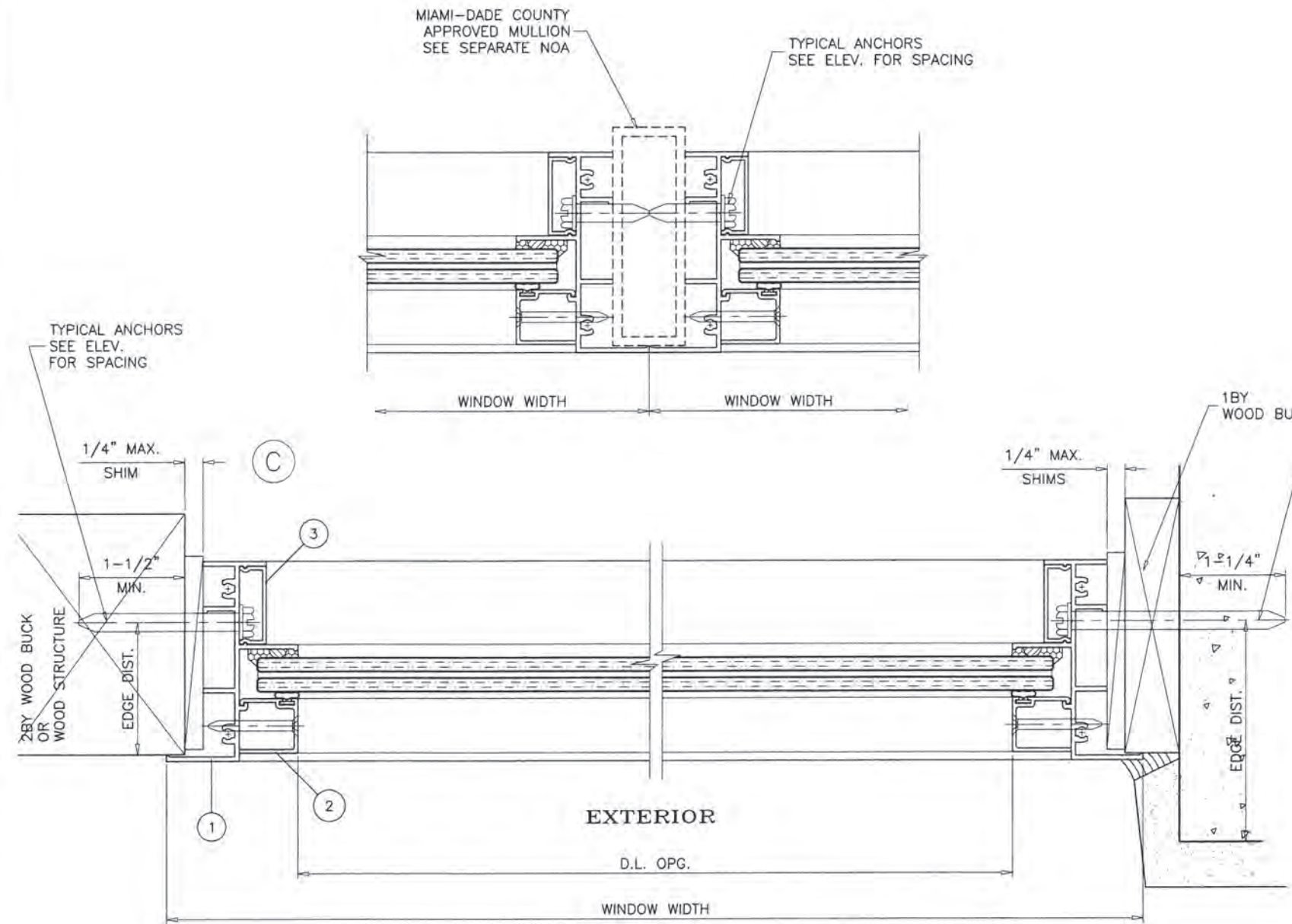
date: 04-07-14
scale: 1/2" = 1"
dr. by: TARIQ
chk. by:

drawing no.
W14-16
sheet 3 of 5

ITEM #	PART #	REQD.	DESCRIPTION	MATERIAL	MANF./SUPPLIER/REMARKS
1	FY301	2	FRAME HEAD/SILL/JAMB	6063-T6	-
2	FY302	AS REQD.	GLAZING BEAD- 7/16" GLASS	6063-T6	-
3	FY303	AS REQD.	ANCHOR COVER	6063-T5	-
4	E203	AS REQD.	GLAZING BEAD BULB	NEOPRENE	ULTRAFAB
5	FLB-50	1	GLASS SPACER - 1/8" HIGH	SILICONE	FRANK LOWE
6	#8 x 1"	8	FRAME ASSEMBLY SCREWS	CRS	PH SMS
7	FY120	-	FLUSH FRAME ADAPTER	6063-T6	OPTIONAL
8	-	AS REQD.	SETTING BLOCKS	EPDM	DUROMETER 80±5 SHORE A



CORNER DETAIL



PRODUCT REVISED
as complying with the Florida
Building Code
NOA-No. 20-1119.06
Expiration Date 01/29/2025
By *[Signature]*
Miami-Dade Product Control



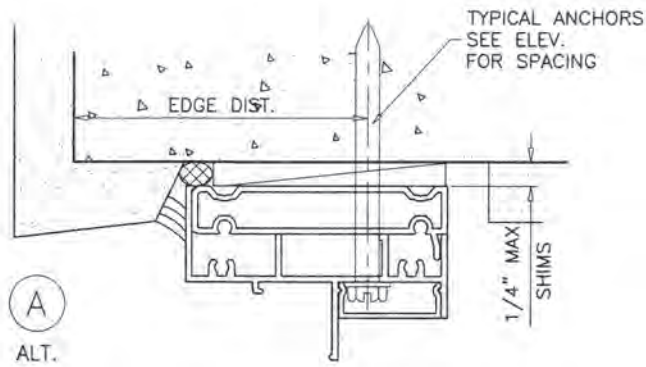
af c
AL-FAROOQ CORPORATION
ENGINEERS & PRODUCT DEVELOPMENT
9360 SUNSET DRIVE, SUITE 220
MIAMI, FLORIDA 33173 (C.A.N. 3538)
TEL. (305) 264-8100 FAX. (305) 262-6978
COMP-ANL\W14-16ECO

ECO-GUARD SERIES-300 ALUM FIXED WDW. (S.M.I.)
ECO WINDOW SYSTEMS, LLC.
8502 N.W. 80th STREET
MEDLEY, FL. 33166
TEL. (305) 885-5299 FAX (305) 885-5902

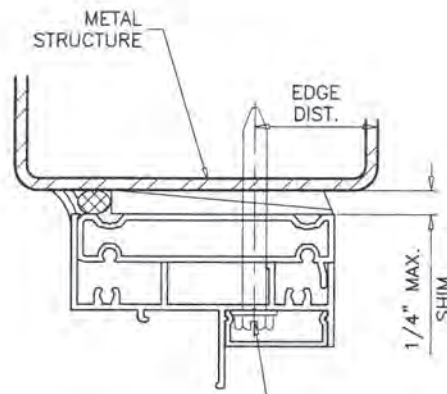
no	date	description
A	01.14.15	REV. PER COMMENTS
B	10.19.17	UPDATED TO 2017 FBC
C	11.05.20	UPDATED TO 2020 FBC

date: 04-07-14
scale: 1/2" = 1"
dr. by: TARIQ
chk. by:

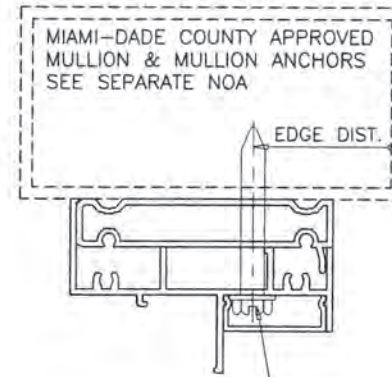
drawing no.
W14-16
sheet 4 of 5



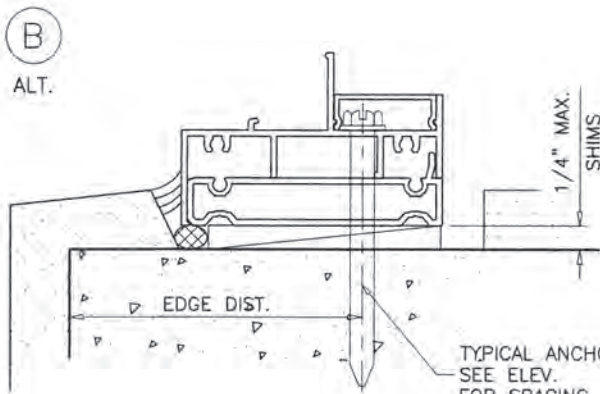
A
ALT.



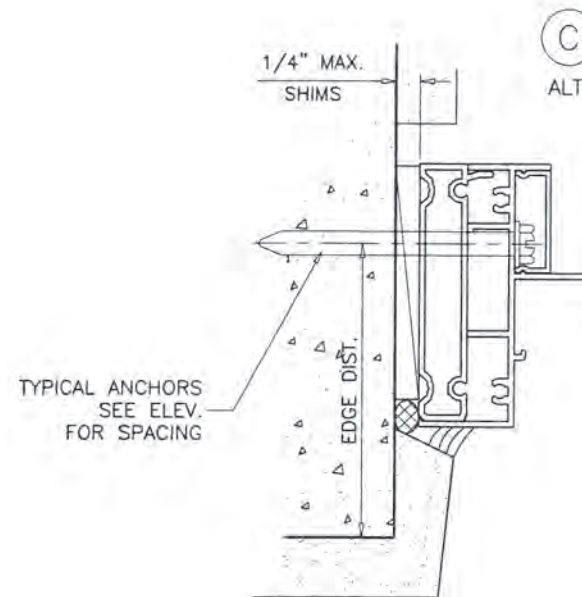
TYPICAL ANCHORS
SEE ELEV.
FOR SPACING



TYPICAL ANCHORS
SEE ELEV.
FOR SPACING



B
ALT.



C
ALT.

INSTALLATION DETAILS WITH FLUSH FRAME ADAPTER

PRODUCT REVISED
as complying with the Florida
Building Code
NOA-No. 20-1119.06

Expiration Date 01/29/2025

By 
Miami-Dade Product Control



af c
AL-FAROOQ CORPORATION
ENGINEERS & PRODUCT DEVELOPMENT
9360 SUNSET DRIVE, SUITE 220
MIAMI, FLORIDA 33173 (C.A.N. 3538)
TEL. (305) 264-8100 FAX. (305) 262-6978
COMP-ANL\W14-16ECO

ECO-GUARD SERIES-300 ALUM FIXED WDW. (S.M.I.)
ECO WINDOW SYSTEMS, LLC.
8502 N.W. 80th STREET
MEDLEY, FL. 33166
TEL. (305) 885-5299 FAX (305) 885-5902

no	date	by	description
A	01.14.15		NO CHANGE THIS SHEET
B	10.19.17		UPDATED TO 2017 FBC
C	11.05.20		UPDATED TO 2020 FBC

date: 04-07-14
scale: 1/2" = 1"
dr. by: TARIQ
chk. by:

drawing no.
W14-16
sheet 5 of 5