



MIAMI-DADE COUNTY
PRODUCT CONTROL SECTION
 11805 SW 26 Street, Room 208
 Miami, Florida 33175-2474
 T (786) 315-2590 F (786) 315-2599
www.miamidade.gov/building

DEPARTMENT OF REGULATORY AND ECONOMIC RESOURCES (RER)
 BOARD AND CODE ADMINISTRATION DIVISION

NOTICE OF ACCEPTANCE (NOA)

Eco Window Systems, LLC
8502 NW 80 Street
Medley, FL 33166

SCOPE:

This NOA is being issued under the applicable rules and regulations governing the use of construction materials. The documentation submitted has been reviewed and accepted by Miami-Dade County RER - Product Control Section to be used in Miami Dade County and other areas where allowed by the Authority Having Jurisdiction (AHJ).

This NOA shall not be valid after the expiration date stated below. The Miami-Dade County Product Control Section (In Miami Dade County) and/or the AHJ (in areas other than Miami Dade County) reserve the right to have this product or material tested for quality assurance purposes. If this product or material fails to perform in the accepted manner, the manufacturer will incur the expense of such testing and the AHJ may immediately revoke, modify, or suspend the use of such product or material within their jurisdiction. RER reserves the right to revoke this acceptance, if it is determined by Miami-Dade County Product Control Section that this product or material fails to meet the requirements of the applicable building code.

This product is approved as described herein, and has been designed to comply with the Florida Building Code, including the High Velocity Hurricane Zone.

DESCRIPTION: Series “620FS” Aluminum Fixed Window – L.M.I.

APPROVAL DOCUMENT: Drawing No. **17-83**, titled “Series 620FS Aluminum Fixed Window (L.M.I.)” sheets 1 through 6 of 6, dated 09/18/17, with revision **B** dated 11/05/20, prepared by Al-Farooq Corporation, signed and sealed by Jalal Farooq, P.E., bearing the Miami-Dade County Product Control Section Revision Stamp with the Notice of Acceptance number and expiration date by the Miami–Dade County Product Control Section.

MISSILE IMPACT RATING: Large and Small Missile Impact Resistant

LABELING: Each unit shall bear a permanent label with the manufacturer's name or logo, city, state, model/series, and following statement: "Miami-Dade County Product Control Approved", unless otherwise noted herein.

RENEWAL of this NOA shall be considered after a renewal application has been filed and there has been no change in the applicable building code negatively affecting the performance of this product.

TERMINATION of this NOA will occur after the expiration date or if there has been a revision or change in the materials, use, and/or manufacture of the product or process. Misuse of this NOA as an endorsement of any product, for sales, advertising or any other purposes shall automatically terminate this NOA. Failure to comply with any section of this NOA shall be cause for termination and removal of NOA.

ADVERTISEMENT: The NOA number preceded by the words Miami-Dade County, Florida, and followed by the expiration date may be displayed in advertising literature. If any portion of the NOA is displayed, then it shall be done in its entirety.

INSPECTION: A copy of this entire NOA shall be provided to the user by the manufacturer or its distributors and shall be available for inspection at the job site at the request of the Building Official.

This NOA **revises NOA#18-0517.05** and consists of this page 1 and evidence page E-1 and E-2, as well as approval document mentioned above.

The submitted documentation was reviewed by **Sifang Zhao, P.E.**



S.Z.
 02/11/2021

NOA No. 20-1119.08
Expiration Date: June 13, 2024
Approval Date: February 11, 2021
 Page 1

NOTICE OF ACCEPTANCE: EVIDENCE SUBMITTED

1. EVIDENCE SUBMITTED UNDER PREVIOUS NOA's

A. DRAWINGS

1. Manufacturer's die drawings and sections. (*Submitted under NOA No. 18-0517.05*)
2. Drawing No **17-83**, titled "Series 620FS Aluminum Fixed Window (L.M.I.)", sheets 1 through 6 of 6, dated 09/18/17, with revision A dated 05/13/19, prepared by Al-Farooq Corporation, signed and sealed by Javad Ahmad, P.E.

B. TESTS

1. Test reports on: 1) Air Infiltration Test, per FBC, TAS 202-94
2) Uniform Static Air Pressure Test, Loading per FBC TAS 202-94
3) Water Resistance Test, per FBC, TAS 202-94
4) Large Missile Impact Test per FBC, TAS 201-94
5) Cyclic Wind Pressure Loading per FBC, TAS 203-94
along with marked-up drawings and installation diagram of a series 620FS and 610FS aluminum fixed windows, prepared by Fenestration Testing Laboratory, Inc., Test Report No. **FTL-9430**, dated 02/24/17, signed and sealed by Idalmis Ortega, P.E. (*Submitted under NOA No. 18-0517.05*)

C. CALCULATIONS

1. Anchor verification calculations and structural analysis, complying with **FBC 6th Edition (2017)**, dated 11/01/17, prepared by Al-Farooq Corporation, signed and sealed by Javad Ahmad, P.E.
2. Glazing complies with **ASTM E1300-09**

D. QUALITY ASSURANCE

1. Miami-Dade Department of Regulatory and Economic Resources (RER)

E. MATERIAL CERTIFICATIONS

1. Notice of Acceptance No. **17-1114.14** issued to **Kuraray America, Inc.** for their "**Trosifol® Ultraclear, Clear and Color PVB Glass Interlayers**" dated 01/18/18, expiring on 07/08/19.
2. Notice of Acceptance No. **17-0808.02** issued to **Kuraray America, Inc.** for their "**SentryGlas® (Clear and White) Glass Interlayers**" dated 12/28/17, expiring on 07/04/23.

F. STATEMENTS

1. Statement letter of conformance, complying with **FBC 6th Edition (2017)**, and of no financial interest, dated November 1, 2017, prepared by Al-Farooq Corporation, signed and sealed by Javad Ahmad, P.E.

G. OTHER

1. None.



Sifang Zhao, P.E.
Product Control Examiner
NOA No. 20-1119.08
Expiration Date: June 13, 2024
Approval Date: February 11, 2021

NOTICE OF ACCEPTANCE: EVIDENCE SUBMITTED

2. NEW EVIDENCE SUBMITTED

A. DRAWINGS

1. Drawing No. **17-83**, titled “Series 620FS Aluminum Fixed Window (L.M.I.)” sheets 1 through 6 of 6, dated 09/18/17, with revision B dated 11/05/20, prepared by Al-Farooq Corporation and signed and sealed by Jalal Farooq, P.E.

B. TESTS

1. None.

C. CALCULATIONS

1. None.

D. QUALITY ASSURANCE

1. Miami-Dade Department of Regulatory and Economic Resources (RER).

E. MATERIAL CERTIFICATIONS

1. Notice of Acceptance No. **20-0915.22** issued to **Kuraray America, Inc.** for their “Trosifol® Ultraclear, Clear and Color PVB Glass Interlayers”, expiring on 07/08/24.
2. Notice of Acceptance No. **20-0915.19** issued to **Kuraray America, Inc.** for their “SentryGlas® (Clear and White) Glass Interlayers”, expiring on 07/04/23.

F. STATEMENTS

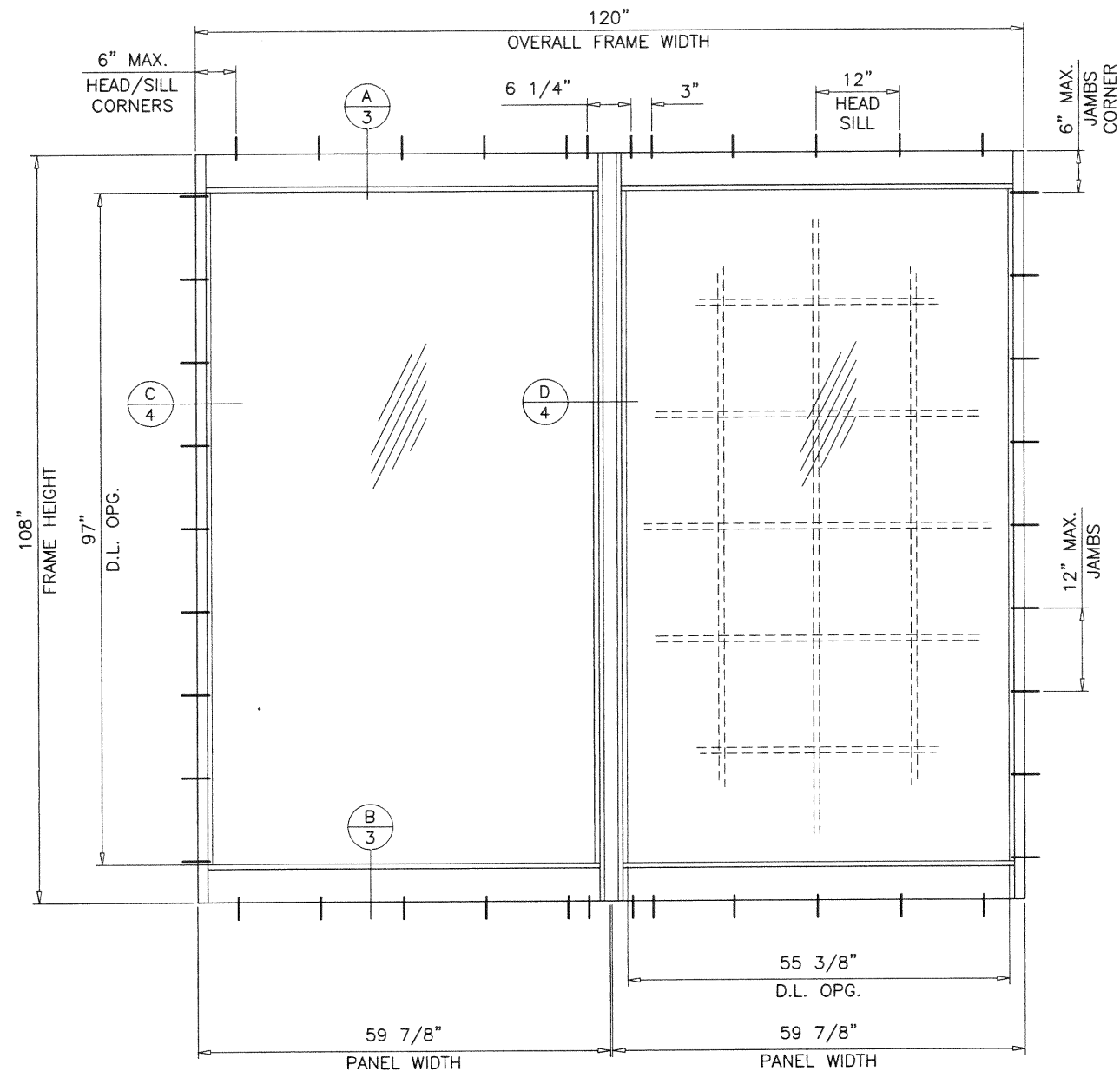
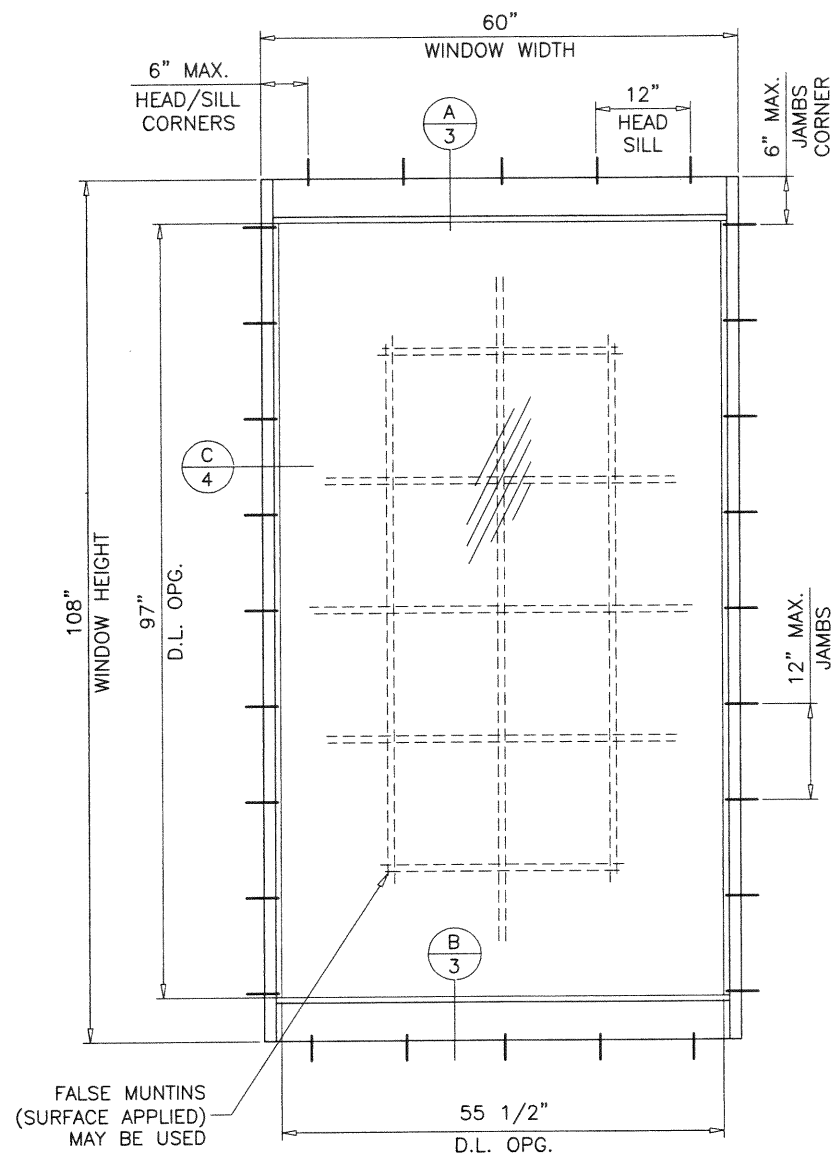
1. Statement letter of conformance, complying with **FBC 6th Edition (2017)**, with **FBC 7th Edition (2020)**, and of no financial interest, dated 11/05/2020, prepared by Al-Farooq Corporation and signed and sealed by Jalal Farooq, P.E.

G. OTHERS

1. Notice of Acceptance No. **18-0517.05**, issued to Eco Window Systems, LLC for their Series “620FS” Aluminum Fixed Window – L.M.I.”, approved on 06/13/2019 and expires on 06/13/2024.



Sifang Zhao, P.E.
Product Control Examiner
NOA No. 20-1119.08
Expiration Date: June 13, 2024
Approval Date: February 05, 2021



TYPICAL ELEVATIONS
TESTED UNITS

SERIES 620FS
ALUMINUM FIXED WINDOW

SEE SHEET 2 FOR SINGLE WINDOW DESIGN LOAD CAPACITIES.
FOR FIXED/FIXED COMBINATIONS IN MODULES OF TWO OR MORE WINDOWS USING 'H' MULLION IN BETWEEN SEE CHART ON SHEET 6.
LOWER DESIGN PRESSURE FROM WINDOW OR MULLION CHART WILL APPLY TO ENTIRE SYSTEM.

THIS PRODUCT HAS BEEN DESIGNED AND TESTED TO COMPLY WITH THE REQUIREMENTS OF THE 2017 (6TH EDITION)/2020 (7TH EDITION) FLORIDA BUILDING CODE INCLUDING HIGH VELOCITY HURRICANE ZONE (HVHZ).

1BY OR 2BY WOOD BUCKS & BUCK FASTENERS BY OTHERS, MUST BE DESIGNED AND INSTALLED ADEQUATELY TO TRANSFER APPLIED PRODUCT LOADS TO THE BUILDING STRUCTURE.

ANCHORS SHALL BE CORROSION RESISTANT, SPACED AS SHOWN ON DETAILS AND INSTALLED PER MANUF'S INSTRUCTIONS. SPECIFIED EMBEDMENT TO BASE MATERIAL SHALL BE BEYOND WALL DRESSING OR STUCCO.

A LOAD DURATION INCREASE IS USED IN DESIGN OF ANCHORS INTO WOOD ONLY.
ALL SHIMS TO BE HIGH IMPACT, NON-METALLIC AND NON-COMPRESSIBLE.

MATERIALS INCLUDING BUT NOT LIMITED TO STEEL/METAL SCREWS, THAT COME INTO CONTACT WITH OTHER DISSIMILAR MATERIALS SHALL MEET THE REQUIREMENTS OF THE 2017/2020 FLORIDA BLDG. CODE & ADOPTED STANDARDS.

THIS PRODUCT APPROVAL IS GENERIC AND DOES NOT PROVIDE INFORMATION FOR A SITE SPECIFIC PROJECT, i.e. LIFE SAFETY OF THIS PRODUCT, ADEQUACY OF STRUCTURE RECEIVING THIS PRODUCT AND SEALING AROUND OPENING FOR WATER INFILTRATION RESISTANCE ETC.
CONDITIONS NOT SHOWN IN THIS DRAWING ARE TO BE ANALYZED SEPARATELY, AND TO BE REVIEWED BY BUILDING OFFICIAL.

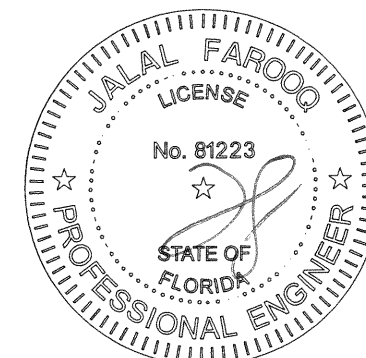
DESIGN LOADS SHOWN ARE BASED ON 'ALLOWABLE STRESS DESIGN (ASD)'.

THESE WINDOWS ARE RATED FOR LARGE & SMALL MISSILE IMPACT.
SHUTTERS ARE NOT REQUIRED.

DAYLITE OPENINGS:
DLO WIDTH = FRAME WIDTH - 4.50"
DLO HEIGHT = FRAME HEIGHT - 11.00"

PRODUCT REVISED
as complying with the Florida Building Code
NOA-No. 20-1119.08
Expiration Date 06/13/2024
By *[Signature]*
Miami-Dade Product Control

NOV 17 2020



af c
AL-FAROOQ CORPORATION
ENGINEERS & PRODUCT DEVELOPMENT
9360 SUNSET DRIVE, SUITE 220
MIAMI, FLORIDA 33173 (C.A.N. 3538)
TEL. (305) 264-8100 FAX. (305) 262-6978
COMP-ANL W17-83ECO

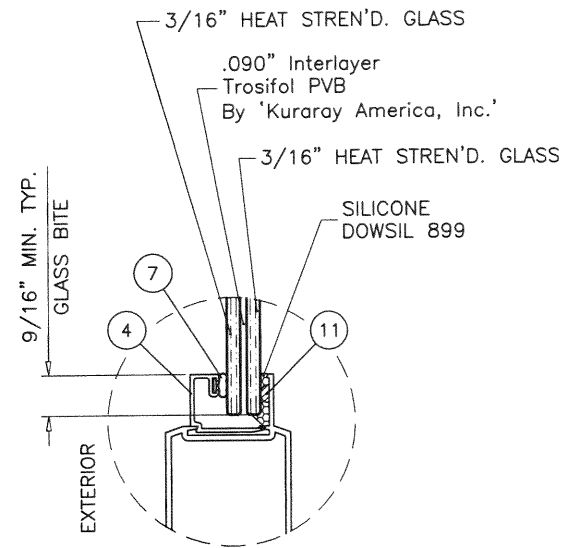
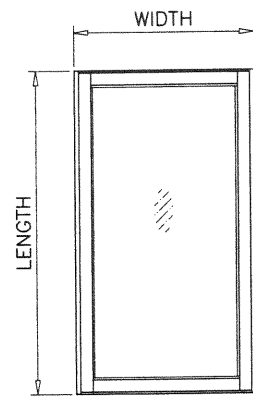
SERIES 620FS ALUMINUM FIXED WINDOW (L.M.I.)
ECO WINDOW SYSTEMS, LLC.
8502 N.W. 80th STREET
MEDLEY, FL. 33166
TEL. (305) 885-5299 FAX (305) 885-5902

no	date	description
A	05.13.19	REV. PER RER COMMENTS
B	11.05.20	UPDATED TO 2020 FBC

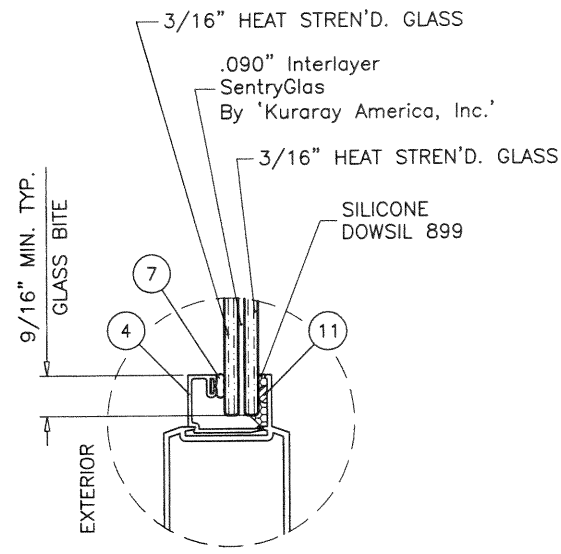
date:	09-18-17	scale:	1/2"=1'-0"
dr. by:	TARIQ	chk. by:	

drawing no. **W17-83**
sheet 1 of 6

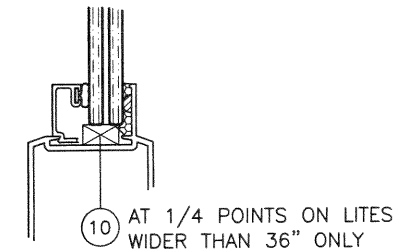
DESIGN LOAD CAPACITY - PSF			
WINDOW DIMS.		GLASS TYPE 'A' & 'B'	
WIDTH	LENGTH	EXT.(+)	INT.(-)
36"	90"	60.0	60.0
42"		60.0	60.0
48"		60.0	60.0
54"		60.0	60.0
60"		60.0	60.0
66"		54.5	54.5
72"	50.0	50.0	
36"	96"	60.0	60.0
42"		60.0	60.0
48"		60.0	60.0
54"		60.0	60.0
60"		60.0	60.0
66"		54.5	54.5
36"	102"	60.0	60.0
42"		60.0	60.0
48"		60.0	60.0
54"		60.0	60.0
60"		60.0	60.0
36"	108"	60.0	60.0
42"		60.0	60.0
48"		60.0	60.0
54"		60.0	60.0
60"		60.0	60.0




GLASS TYPE 'A'
7/16" NOM. LAM. GLASS



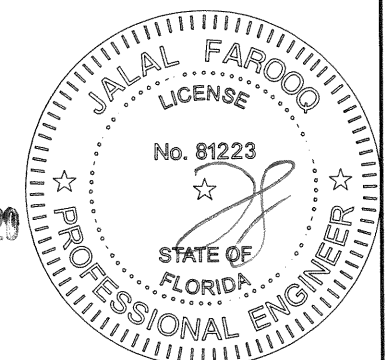
GLASS TYPE 'B'
7/16" NOM. LAM. GLASS



SETTING BLOCKS AT LAM. GLASS
NOTCH GLAZING BEAD LEG TO CLEAR BLOCKS

PRODUCT REVISED
as complying with the Florida
Building Code
NOA-No. 20-1119.08
Expiration Date 06/13/2024
By 
Miami-Dade Product Control

NOV 17 2020



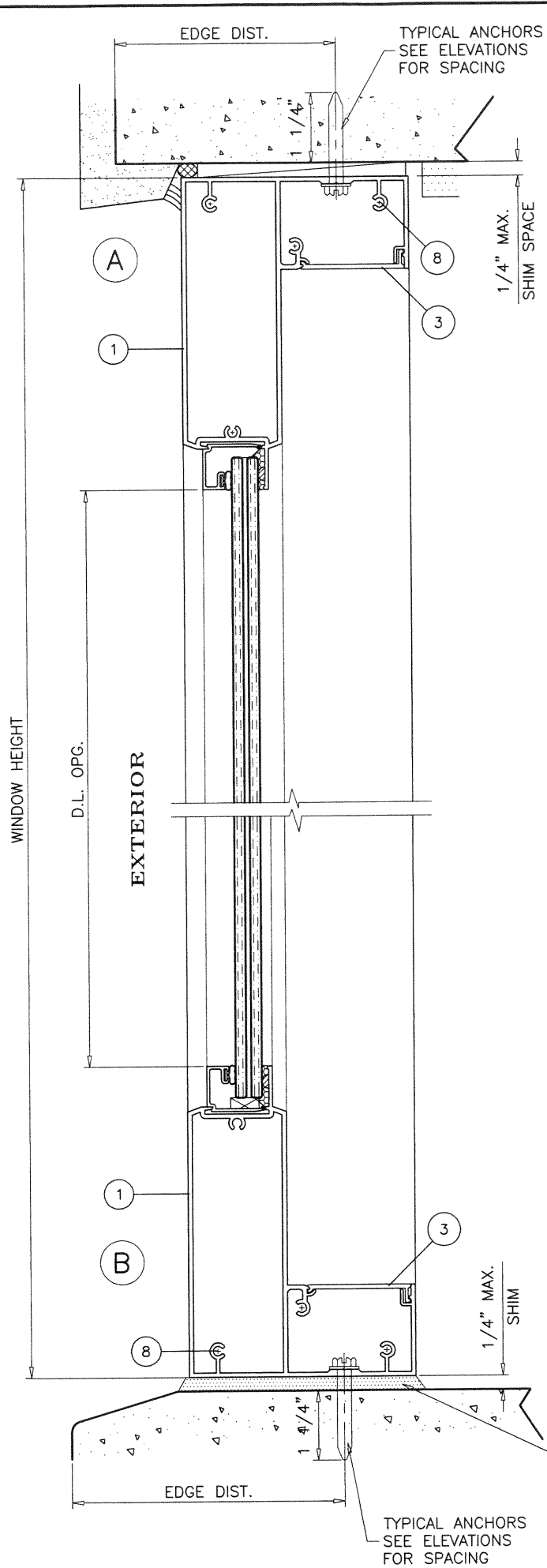
af c
AL-FAROOQ CORPORATION
ENGINEERS & PRODUCT DEVELOPMENT
9360 SUNSET DRIVE, SUITE 220
MIAMI, FLORIDA 33173 (C.A.N. 3538)
TEL. (305) 264-8100 FAX. (305) 262-6978
COMP-ANL W17-83ECO

SERIES 620FS ALUMINUM FIXED WINDOW (L.M.I.)
ECO WINDOW SYSTEMS, LLC.
8502 N.W. 80th STREET
MEDLEY, FL. 33166
TEL. (305) 885-5299 FAX (305) 885-5902

no	date	by	description
A	05.13.19		REV. PER COMMENTS
B	11.05.20		UPDATED TO 2020 FBC

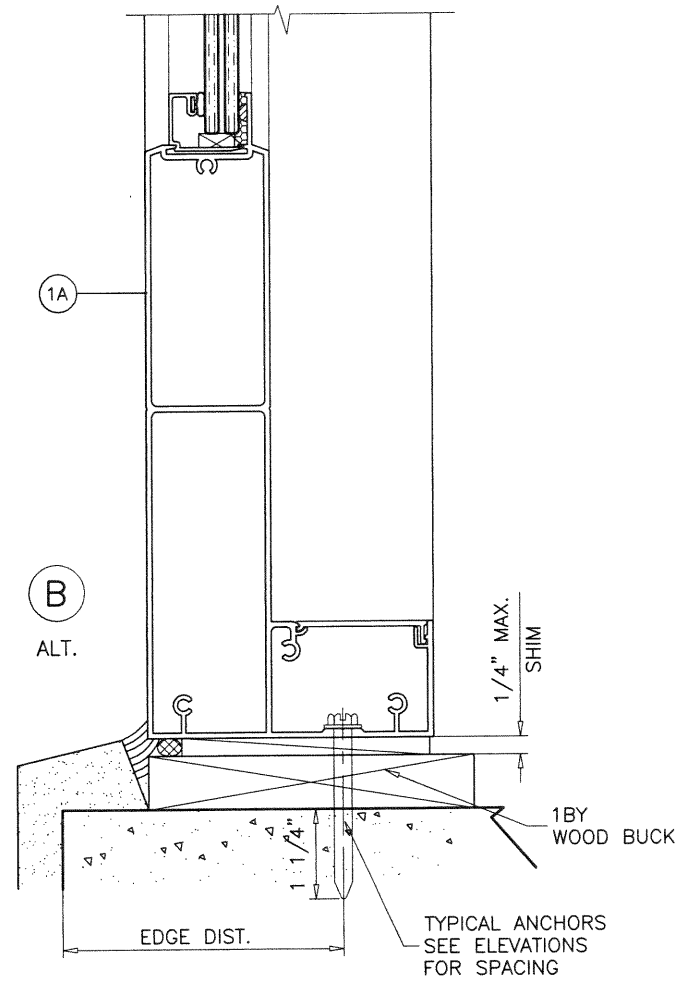
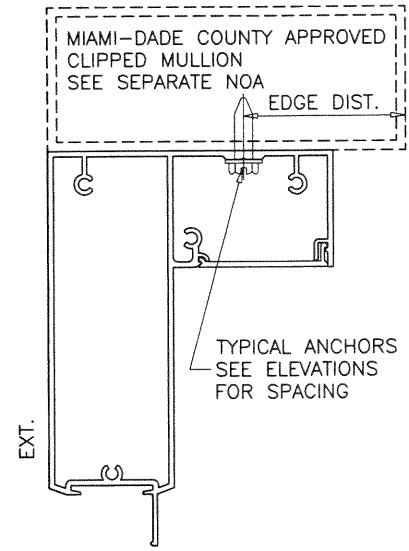
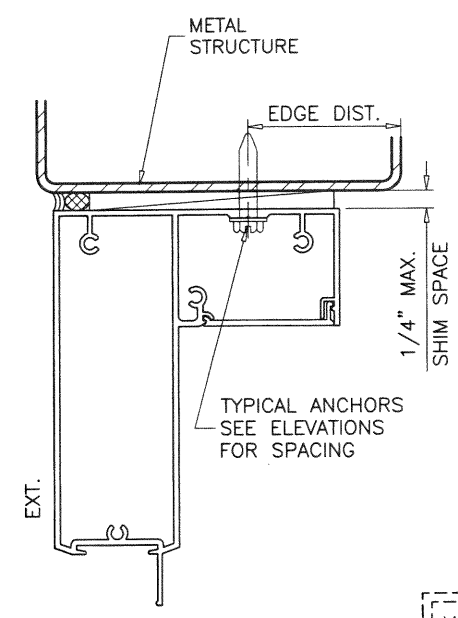
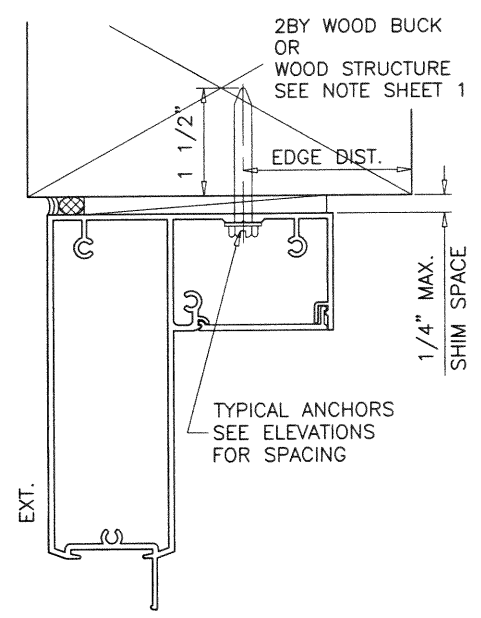
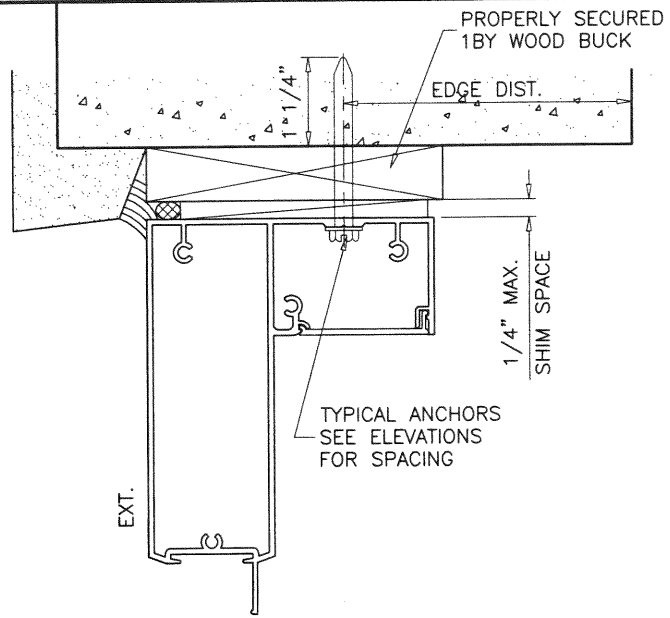
date: 09-18-17
scale: 3/8" = 1"
dr. by: TARIQ
chk. by:

drawing no.
W17-83
sheet 2 of 6



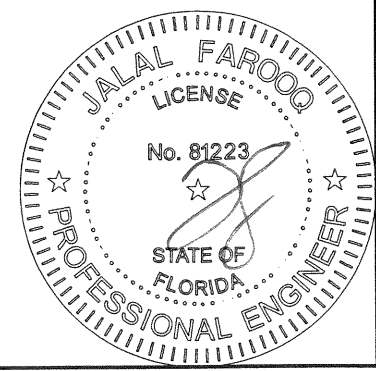
POURED & HARDENED HIGH STRENGTH GROUT $f'c = 5000$ PSI MIN. NOT BY 'ECO WINDOWS' MUST TRANSFER SHEAR LOADS TO STRUCTURE

LOAD BEARING (SOLID SHIMS OPTIONAL TO GROUT)



PRODUCT REVISED
 as complying with the Florida Building Code
 NOA-No. 20-1119.08
 Expiration Date 06/13/2024
 By *[Signature]*
 Miami-Dade Product Control

NOV 17 2020



af c
AL-FAROOQ CORPORATION
 ENGINEERS & PRODUCT DEVELOPMENT
 9360 SUNSET DRIVE, SUITE 220 (C.A.N. 3538)
 MIAMI, FLORIDA 33173 FAX. (305) 262-6978
 TEL. (305) 264-8100

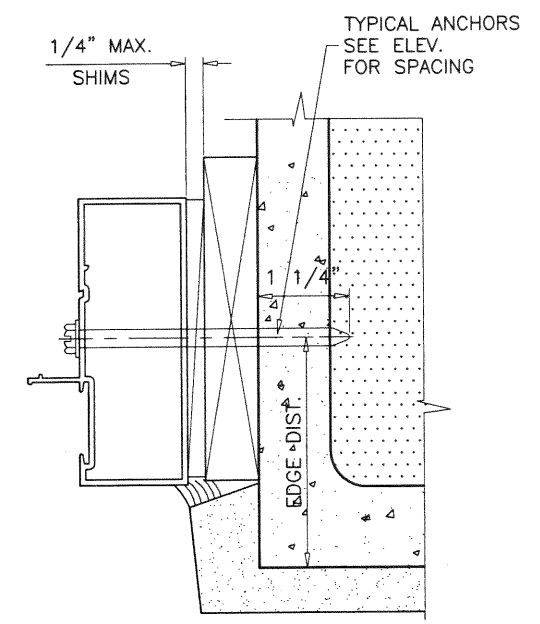
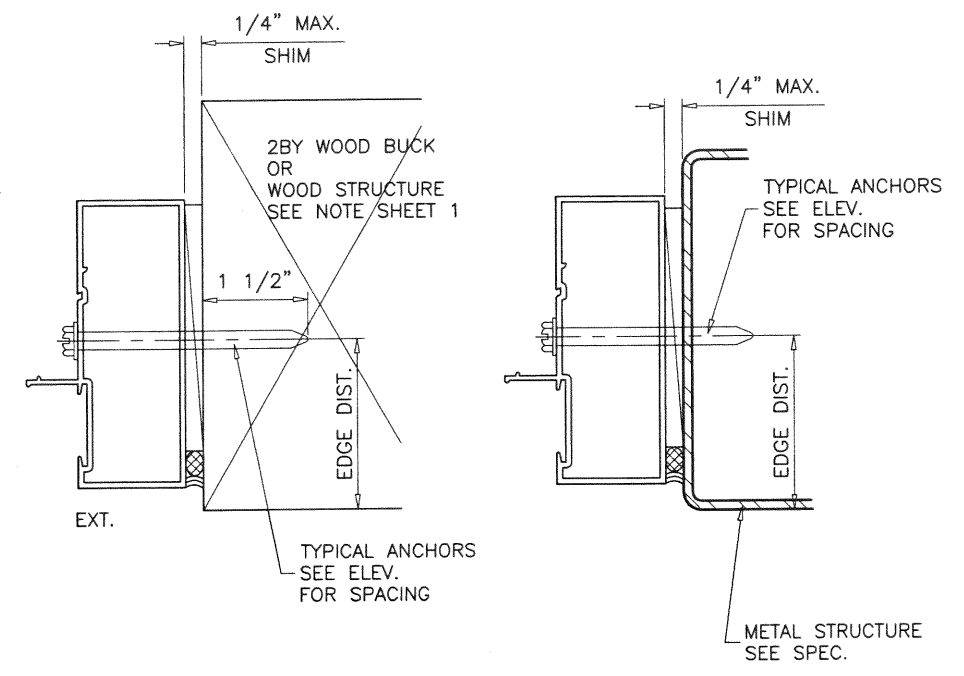
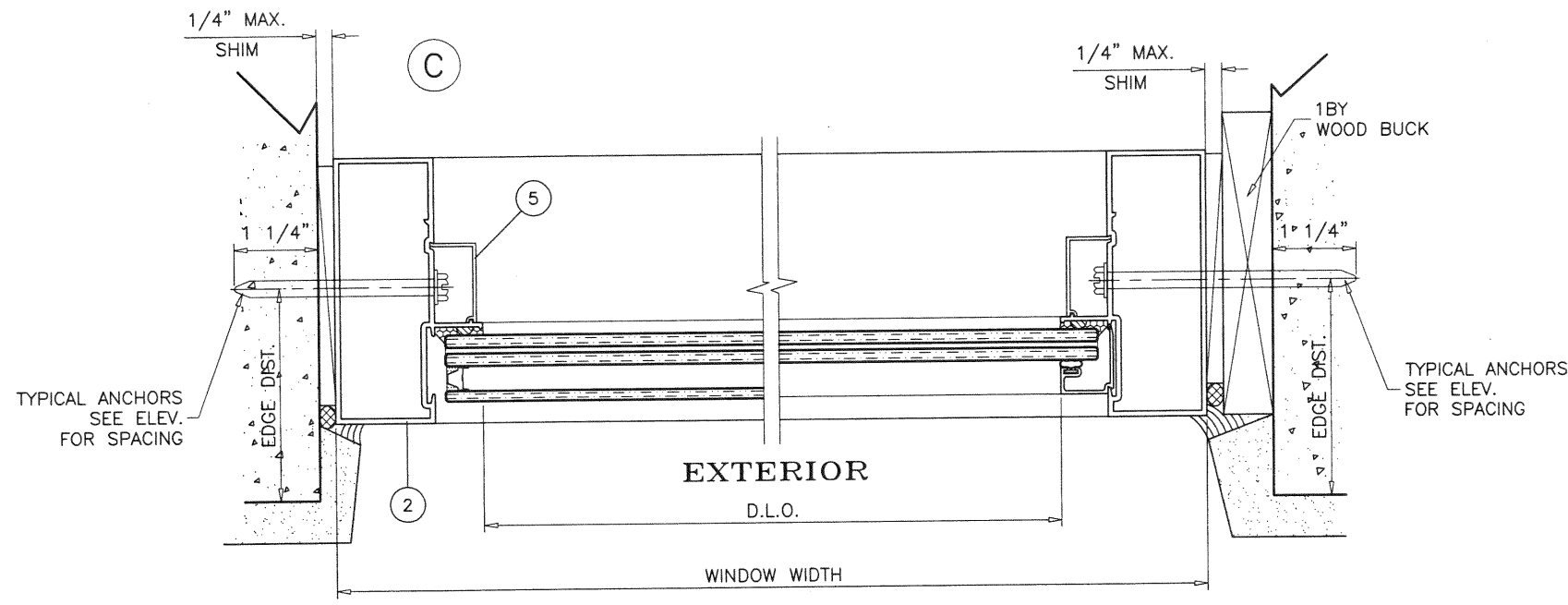
SERIES 620FS ALUMINUM FIXED WINDOW (L.M.I.)
ECO WINDOW SYSTEMS, LLC.
 8502 N.W. 80th STREET
 MEDLEY, FL. 33166
 TEL. (305) 885-5299 FAX (305) 885-5902

revisions:	no	date	by	description
	A	05.13.19	REV. PER RER COMMENTS	
	B	11.05.20	UPDATED TO 2020 FBC	

date: 09-18-17
 scale: 3/8" = 1"
 dr. by: TARIQ
 chk. by:

drawing no. **W17-83**
 sheet 3 of 6

COMP-ANL\W17-83ECO



1BY OR 2BY WOOD BUCKS AND METAL STRUCTURE NOT BY 'ECO WINDOWS' MUST SUSTAIN LOADS IMPOSED BY GLAZING SYSTEM AND TRANSFER THEM TO THE BUILDING STRUCTURE.

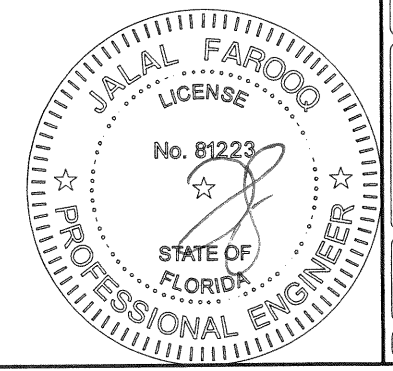
- TYPICAL ANCHORS:** SEE ELEV. FOR SPACING
- 1/4" DIA. ULTRACON+ BY 'DEWALT'** (Fu=164 KSI, Fy=148 KSI) INTO 2BY WOOD BUCKS OR WOOD STRUCTURES 1-1/2" MIN. PENETRATION INTO WOOD (HEAD/SILL/JAMBS) THRU 1BY BUCKS INTO CONC. OR BLOCKS 1-1/4" MIN. EMBED INTO CONCRETE (HEAD/SILL/JAMBS) 1-1/4" MIN. EMBED INTO BLOCKS (JAMBS)
 - DIRECTLY INTO CONCRETE OR BLOCKS 1-1/4" MIN. EMBED INTO CONCRETE (HEAD/SILL/JAMBS) 1-1/4" MIN. EMBED INTO BLOCKS (JAMBS)

- 1/4" DIA. TEKS OR SELF DRILLING SCREWS** (GRADE 5 CRS) INTO MIAMI-DADE COUNTY APPROVED MULLIONS OR INTO METAL STRUCTURES (HEAD/SILL/JAMBS) (3) THREADS MIN. PENETRATION BEYOND SUBSTRATE ALUMINUM: 1/8" THK. MIN. (6063-T5 MIN.) STEEL: 1/8" THK. MIN. (Fy = 36 KSI MIN.) (STEEL IN CONTACT WITH ALUMINUM TO BE PLATED OR PAINTED)

- TYPICAL EDGE DISTANCE**
- INTO CONCRETE AND MASONRY = 2-1/2" MIN.
 - INTO WOOD STRUCTURE = 1" MIN.
 - INTO METAL STRUCTURE = 3/4" MIN.
- WOOD AT HEAD, SILL OR JAMBS SG = 0.55 MIN.
 CONCRETE AT HEAD, SILL OR JAMBS f'c = 3000 PSI MIN.
 C-90 HOLLOW/FILLED BLOCK AT JAMBS f'm = 2000 PSI MIN.

PRODUCT REVISED
 as complying with the Florida Building Code
 NOA-No. 20-1119.08
 Expiration Date 06/13/2024
 By *[Signature]*
 Miami-Dade Product Control

NOV 17 2020



af c

AL-FAROOQ CORPORATION
 ENGINEERS & PRODUCT DEVELOPMENT
 9360 SUNSET DRIVE, SUITE 220 (C.A.N. 3538)
 MIAMI, FLORIDA 33173 TEL. (305) 264-8100 FAX. (305) 262-6978
 COMP-ANL W17-83ECO

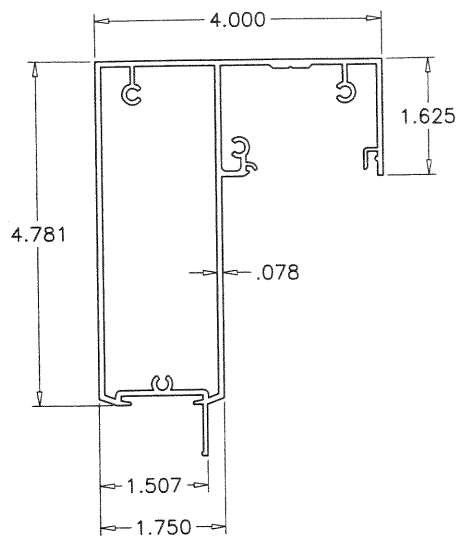
SERIES 620FS ALUMINUM FIXED WINDOW (L.M.I.)

ECO WINDOW SYSTEMS, LLC.
 8502 N.W. 80th STREET
 MEDLEY, FL. 33166
 TEL. (305) 885-5299 FAX (305) 885-5902

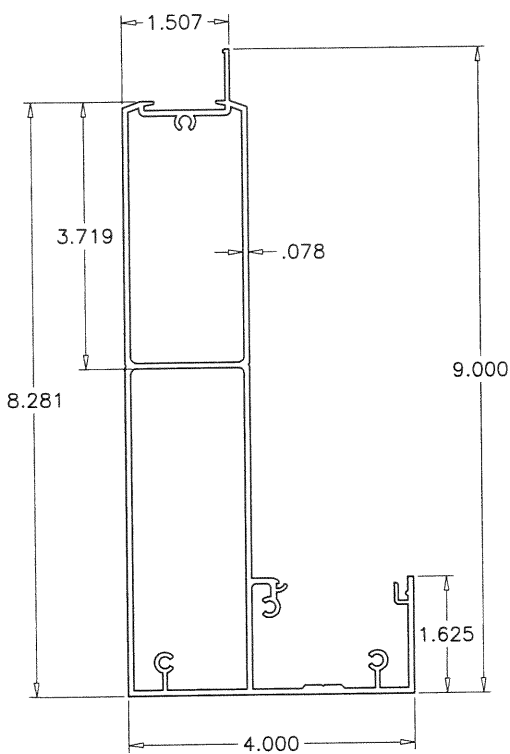
no	date	by	description
A	05.13.19		REV. PER PER COMMENTS
B	11.05.20		UPDATED TO 2020 FBC

date: 09-18-17
 scale: 3/8" = 1"
 dr. by: TARIQ
 chk. by:

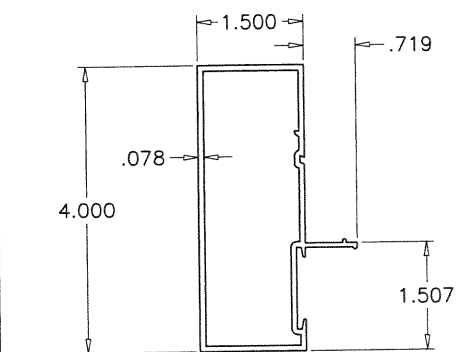
drawing no. **W17-83**
 sheet 4 of 6



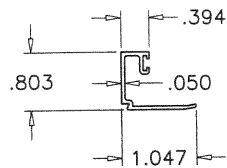
1 TOP & BOTTOM FRAME



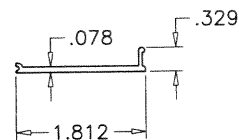
1A 9" BOTTOM FRAME



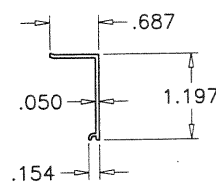
2 FRAME JAMB



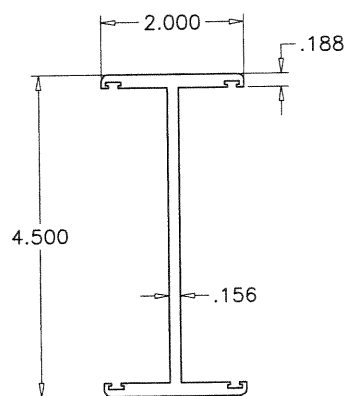
4 GLAZING BEAD



3 FRAME COVER



5 SNAP COVER

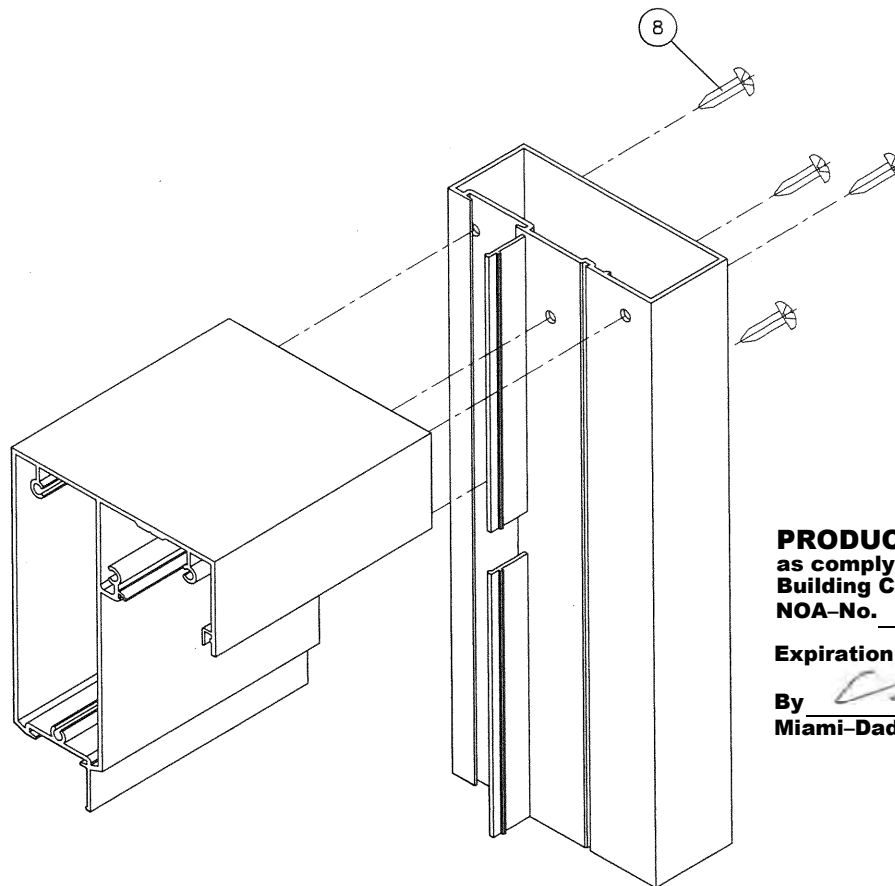


6 MULLION (S-620FS)

ITEM #	PART #	REQD.	DESCRIPTION	MATERIAL	MANF./SUPPLIER/REMARKS
1	E604	-	TOP & BOTTOM FRAME	6063-T6	-
1A	E626	-	9" BOTTOM FRAME	6063-T6	-
2	E605	-	FRAME JAMB	6063-T6	-
3	E602	-	FRAME COVER	6063-T6	-
4	FY109	-	GLAZING BEAD	6063-T6	-
5	E616	-	SNAP COVER	6063-T6	-
6	E623	1	'H' MULLION	6063-T6	-
7	E206	-	GLAZING BEAD BULB	EPDM	ULTRAFAB
8	#10 X 1-1/4"	AS REQD.	FRAME ASSEMBLY SCREWS	-	HH SMS
9	-	-	XL EDGE SPACER (INSUL. LAM. GLASS)	ST. STEEL	CARDINAL
10	-	2/ LITE	SETTING BLOCK, 1/4" X 1/2" X 4" LONG	EPDM	AT 6" FROM EACH END, DUROMETER 80±5
10A	-	2/ LITE	SETTING BLOCK, 1/4" X 3/4" X 4" LONG	EPDM	AT 6" FROM EACH END, DUROMETER 80±5
11	-	AS REQD.	GLASS SPACER	SILICONE	FRANK LOWE RUBBER CO.
12	E20618-KN-3020	-	BULB W'STRIPPING	EPDM	-

SEALANTS:

ALL FRAME JOINTS AND SEAMS SEALED WITH SCHNEE-MOREHEAD SM5504 ACRYL-R SEAM SEALER.



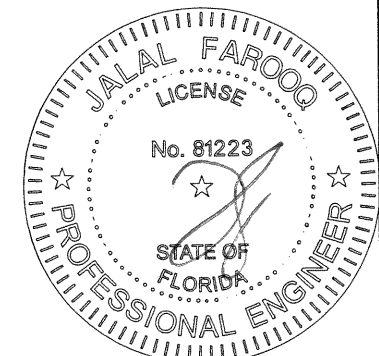
FRAME CORNER

PRODUCT REVISED
as complying with the Florida
Building Code
NOA-No. 20-1119.08

Expiration Date 06/13/2024

By *[Signature]*
Miami-Dade Product Control

NOV 17 2020



af c
AL-FAROOQ CORPORATION
ENGINEERS & PRODUCT DEVELOPMENT
9360 SUNSET DRIVE, SUITE 220 (C.A.N. 3538)
MIAMI, FLORIDA 33173 FAX: (305) 262-6978
TEL: (305) 264-8100

SERIES 620FS ALUMINUM FIXED WINDOW (L.M.I.)
ECO WINDOW SYSTEMS, LLC.
8502 N.W. 80th STREET
MEDLEY, FL. 33166
TEL: (305) 885-5299 FAX: (305) 885-5902

revisions:	no.	date	by	description
	A	05.13.19		REV. PER PER COMMENTS
	B	11.05.20		UPDATED TO 2020 FBC

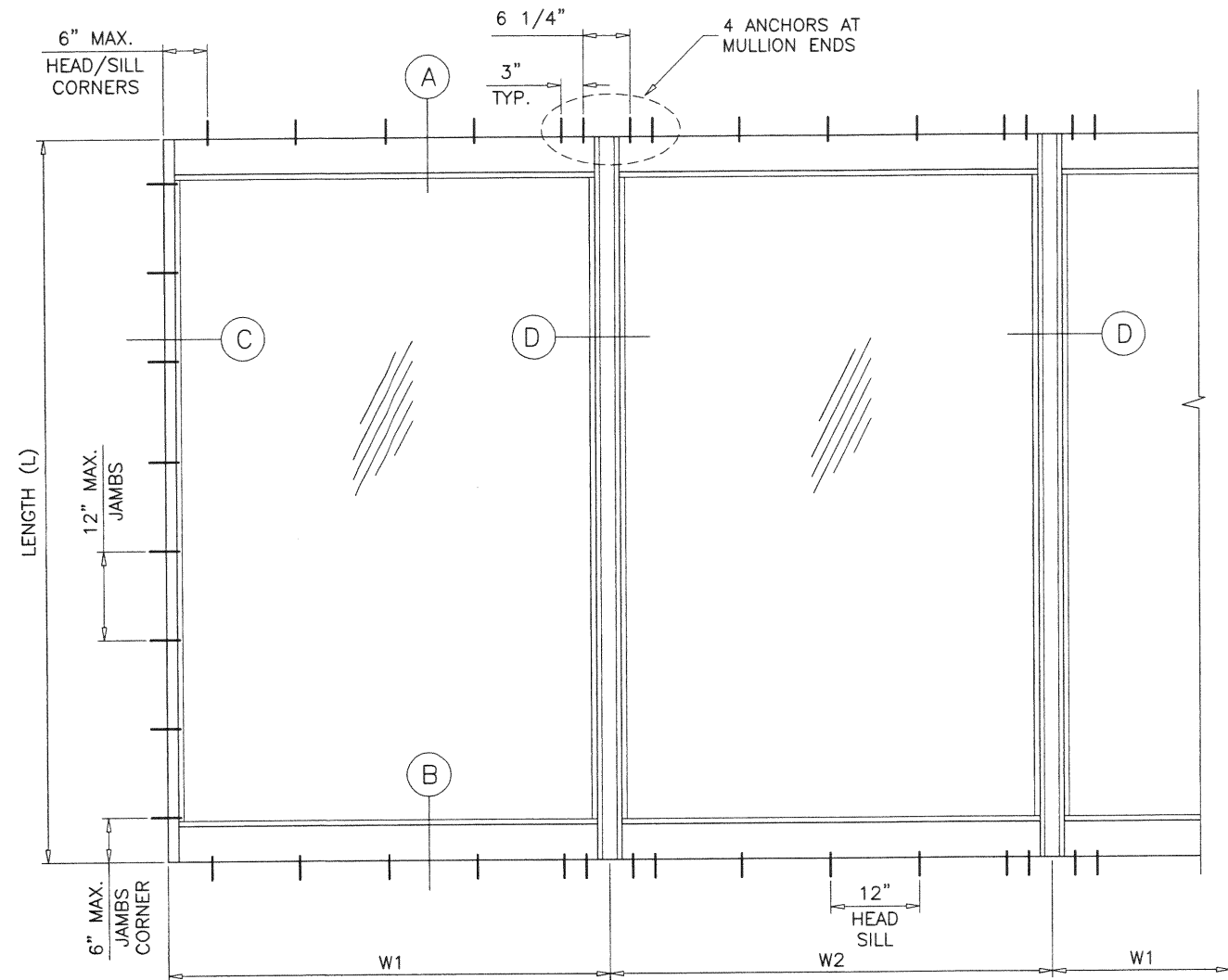
date: 09-18-17
scale: 3/8" = 1"
dr. by: TARIQ
chk. by:

drawing no.
W17-83
sheet 5 of 6

MULLION LOAD CAPACITY - PSF			
WINDOW DIMS.		'H' MULLION	
WIDTH (W)	LENGTH (L)	EXT.(+)	INT.(-)
36"	90"	60.0	60.0
42"		60.0	60.0
48"		60.0	60.0
54"		60.0	60.0
60"		60.0	60.0
66"		60.0	60.0
72"	60.0	60.0	
36"	96"	60.0	60.0
42"		60.0	60.0
48"		60.0	60.0
54"		60.0	60.0
60"		60.0	60.0
66"		60.0	60.0
36"	102"	60.0	60.0
42"		60.0	60.0
48"		60.0	60.0
54"		60.0	60.0
60"		60.0	60.0
36"	108"	60.0	60.0
42"		60.0	60.0
48"		60.0	60.0
54"		60.0	60.0
60"		60.0	60.0

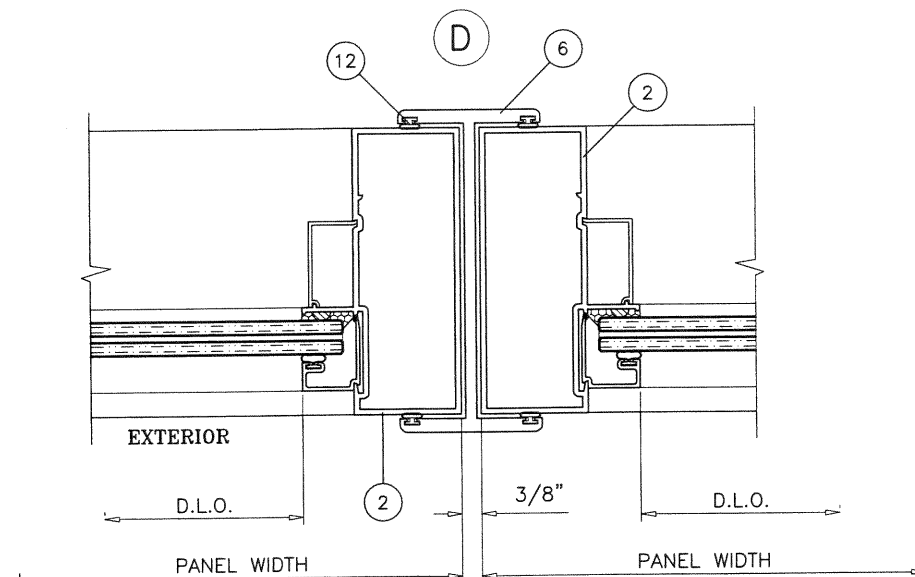
NOTES:

1. USE CHART ON THIS SHEET FOR SIDE BY SIDE CONNECTION CAPACITY OF WINDOW MULLION.
2. FOR FIXED WINDOW CAPACITY SEE SHEET 2.
3. LOWER VALUES FROM STEPS 1 OR 2 WILL APPLY TO ENTIRE SYSTEM.



TYPICAL ELEVATIONS
SIDE BY SIDE WINDOWS
SIDE BY SIDE APPLIES TO TWO OR MORE WINDOWS

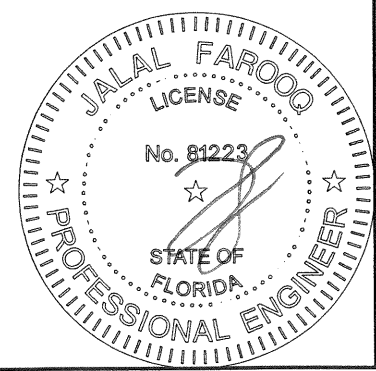
$$\text{WIDTH (W)} = \frac{W1 + W2}{2}$$



TOTAL PRPERTIES
Ix = ?? IN⁴
Sx = ?? IN³

PRODUCT REVISED
as complying with the Florida Building Code
NOA-No. 20-1119.08
Expiration Date 06/13/2024
By *[Signature]*
Miami-Dade Product Control

NOV 17 2020



AL-FAROOQ CORPORATION
ENGINEERS & PRODUCT DEVELOPMENT
9360 SUNSET DRIVE, SUITE 220
MIAMI, FLORIDA 33173
TEL. (305) 264-8100 FAX. (305) 262-6978
C.A.N. 3538

SERIES 620FS ALUMINUM FIXED WINDOW (L.M.I.)
ECO WINDOW SYSTEMS, LLC.
8502 N.W. 80th STREET
MEDLEY, FL. 33166
TEL. (305) 885-5299 FAX (305) 885-5902

no	date	description
A	05.13.19	REV. PER RER COMMENTS
B	11.05.20	UPDATED TO 2020 FBC

date: 09-18-17
scale: 3/8" = 1"
dr. by: TARIQ
chk. by:

drawing no. **W17-83**
sheet 6 of 6