



**MIAMI-DADE COUNTY
PRODUCT CONTROL SECTION**

11805 SW 26 Street, Room 208
Miami, FL 33175

T (786) 315-2590 F (786) 315-2599

**DEPARTMENT OF REGULATORY AND ECONOMIC RESOURCES (RER)
BOARD AND CODE ADMINISTRATION DIVISION**

www.miamidade.gov/economy

NOTICE OF ACCEPTANCE (NOA)

**Eco Window Systems, LLC
8502 NW 80 Street
Medley, FL 33166**

SCOPE:

This NOA is being issued under the applicable rules and regulations governing the use of construction materials. The documentation submitted has been reviewed and accepted by Miami-Dade County RER-Product Control Section to be used in Miami-Dade County and other areas where allowed by the Authority Having Jurisdiction (AHJ).

This NOA shall not be valid after the expiration date stated below. The Miami-Dade County Product Control Section (In Miami-Dade County) and/ or the AHJ (in areas other than Miami-Dade County) reserve the right to have this product or material tested for quality assurance purposes. If this product or material fails to perform in the accepted manner, the manufacturer will incur the expense of such testing and the AHJ may immediately revoke, modify, or suspend the use of such product or material within their jurisdiction. RER reserves the right to revoke this acceptance, if it is determined by Miami-Dade County Product Control Section that this product or material fails to meet the requirements of the applicable building code.

This product is approved as described herein, and has been designed to comply with the Florida Building Code, including the High Velocity Hurricane Zone.

DESCRIPTION: Series "Eco-Guard 100" Aluminum Single Hung Window - L.M.I.

APPROVAL DOCUMENT: Drawing No. **W09-08**, titled "Eco-Guard Series-100 Alum. S.H. Wdw. (L.M.I.)", sheets 1 through 6 of 6, dated 02/12/09, with revision **G** dated 11/05/20, prepared by Al-Farooq Corporation, signed and sealed by Jalal Farooq, P.E., bearing the Miami-Dade County Product Control Section Revision Stamp with the Notice of Acceptance number and expiration date by the Miami-Dade County Product Control Section.

MISSILE IMPACT RATING: Large and Small Missile Impact Resistant

LABELING: Each unit shall bear a permanent label with the manufacturer's name or logo, city, state, model/series, and following statement: "Miami-Dade County Product Control Approved", unless otherwise noted herein.

RENEWAL of this NOA shall be considered after a renewal application has been filed and there has been no change in the applicable building code negatively affecting the performance of this product.

TERMINATION of this NOA will occur after the expiration date or if there has been a revision or change in the materials, use, and/ or manufacture of the product or process. Misuse of this NOA as an endorsement of any product, for sales, advertising or any other purposes shall automatically terminate this NOA. Failure to comply with any section of this NOA shall be cause for termination and removal of NOA.

ADVERTISEMENT: The NOA number preceded by the words Miami-Dade County, Florida, and followed by the expiration date may be displayed in advertising literature. If any portion of the NOA is displayed, then it shall be done in its entirety.

INSPECTION: A copy of this entire NOA shall be provided to the user by the manufacturer or its distributors and shall be available for inspection at the job site at the request of the Building Official.

This NOA **revises NOA No. 18-1220.05** and consists of this page 1 and evidence pages E-1, E-2 and E-3, as well as approval document mentioned above.

The submitted documentation was reviewed by **Sifang Zhao, P.E.**



S.Z.
02/11/2021

**NOA No. 20-1119.14
Expiration Date: April 08, 2024
Approval Date: February 11, 2021
Page 1**

NOTICE OF ACCEPTANCE: EVIDENCE SUBMITTED

1. EVIDENCE SUBMITTED UNDER PREVIOUS NOA's

A. DRAWINGS

1. Manufacturer's die drawings and sections.
(Submitted under NOA No. 09-0224.07 and NOA No.14-0317.02)
2. Drawing No. **W09-08**, titled "Eco-Guard Series-100 Alum. S.H. Wdw. (L.M.I.)", sheets 1 through 6 of 6, dated 02/12/09, with revision **F** dated 09/26/17, prepared by Al-Farooq Corporation, signed and sealed by Javad Ahmad, P.E.
(Submitted under previous NOA No. 17-1011.23)

B. TESTS

1. Test reports on: 1) Uniform Static Air Pressure Test, Loading per FBC, TAS 202-94
2) Large Missile Impact Test per FBC, TAS 201-94
3) Cyclic Wind Pressure Loading per FBC, TAS 203-94
4) Forced Entry Test, per FBC 2411.3.2.1, and TAS 202-94
along with marked-up drawings and installation diagram of an aluminum single hung window, prepared by Fenestration Testing Laboratory, Inc., Test Report No. **FTL-7635**, dated 12/09/14, signed and sealed by Marlin D. Brinson, P.E.
(Submitted under NOA No. 14-0317.02)
2. Test reports on: 1) Air Infiltration Test, per FBC, TAS 202-94
2) Uniform Static Air Pressure Test, Loading per FBC TAS 202-94
3) Water Resistance Test, per FBC, TAS 202-94
4) Forced Entry Test, per FBC 2411 3.2.1 and TAS 202-94
along with installation diagram of a 106-¹/₂" wide x 76" high ECO-Guard Series-100 aluminum single hung window, prepared by Hurricane Engineering & Testing Inc. Test Report No. **HETI-08-2166A**, dated 12/15/09, signed and sealed by Candido F. Font, P.E.
(Submitted under NOA No. 09-0224.07)
3. Test reports on: 1) Large Missile Impact Test per FBC, TAS 201-94
2) Cyclic Wind Pressure Loading per FBC, TAS 203-94
along with installation diagram of a 106-¹/₂" wide x 76" high ECO-Guard Series-100 aluminum single hung window, prepared by Hurricane Engineering & Testing Inc. Test Report No. **HETI-08-2166C**, dated 12/ 15/09, signed and sealed by Candido F. Font, P.E.
(Submitted under NOA No. 09-0224.07)



Sifang Zhao, P.E.
Product Control Examiner
NOA No. 20-1119.14
Expiration Date: April 08, 2024
Approval Date: February 11, 2021

NOTICE OF ACCEPTANCE: EVIDENCE SUBMITTED

B. TESTS (CONTINUED)

4. Test reports on: 1) Air Infiltration Test, per FBC, TAS 202-94
2) Uniform Static Air Pressure Test, Loading per FBC, TAS 202-94
3) Water Resistance Test, per FBC, TAS 202-94
4) Forced Entry Test, per FBC 2411 3.2.1 and TAS 202-94
along with installation diagram of a 53-¹/₄" wide x 76" high ECO-Guard Series-100 aluminum single hung window, prepared by Hurricane Engineering & Testing Inc. Test Report No. **HETI-08-2168**, dated 12/15/09, signed and sealed by Candido F. Font, P.E. (*Submitted under NOA No. 09-0224.07*)
5. Test reports on: 1) Large Missile Impact Test per FBC, TAS 201-94
2) Cyclic Wind Pressure Loading per FBC, TAS 203-94
along with installation diagram of a 53-¹/₄" wide x 76-¹/₄" high ECO-Guard Series-100 aluminum single hung window, prepared by Hurricane Engineering & Testing Inc. Test Report No. **HETI-08-2170**, dated 12/15/09, signed and sealed by Candido F. Font, P.E. (*Submitted under NOA No. 09-0224.07*)

C. CALCULATIONS

1. Anchor verification calculations and structural analysis, complying with **FBC 5th Edition (2014)**, dated 03/27/15 and 06/23/15, prepared by Al-Farooq Corporation, signed and sealed by Javad Ahmad, P.E. (*Submitted under NOA No. 15-0406.12*)
2. Glazing complies with **ASTM E1300-09**

CI. QUALITY ASSURANCE

1. Miami-Dade Department of Regulatory and Economic Resources (RER)

CII. MATERIAL CERTIFICATIONS


1. Notice of Acceptance No. **17-1114.14** issued to **Kuraray America, Inc.** for their "Trosifol® Ultraclear, Clear and Color PVB Glass Interlayers" dated 01/18/18, expiring on 07/08/19.

CIII. STATEMENTS

1. Statement letter of conformance, complying with **FBC 5th Edition (2014)**, with **FBC 6th Edition (2017)**, and of no financial interest, dated September 15, 2017, prepared by Al-Farooq Corporation, signed and sealed by Javad Ahmad, P.E. (*Submitted under previous NOA No. 17-1011.23*)
2. Proposal issued by the Product Control Section, dated 03/25/13, signed by Jaime Gascon, P.E. (*Submitted under NOA No. 14-0317.02*)

CIV. OTHERS

1. Notice of Acceptance No. **17-1011.23**, issued to Eco Window Systems, LLC for their Series "Eco-Guard 100" Aluminum Single Hung Window - L.M.I., approved on 12/21/17 and expiring on 04/08/19.


Sifang Zhao, P.E.
Product Control Examiner
NOA No. 20-1119.14
Expiration Date: April 08, 2024
Approval Date: February 11, 2021

NOTICE OF ACCEPTANCE: EVIDENCE SUBMITTED

2. NEW EVIDENCE SUBMITTED

A. DRAWINGS

1. Drawing No. **W09-08**, titled “Eco-Guard Series-100 Alum. S.H. Wdw. (L.M.I.)”, sheets 1 through 6 of 6, dated 02/12/09, with revision **G** dated 11/05/20, prepared by Al-Farooq Corporation, signed and sealed by Jalal Farooq, P.E.

B. TESTS

1. None.

C. CALCULATIONS

1. None

D. QUALITY ASSURANCE

1. Miami-Dade Department of Regulatory and Economic Resources (RER).

E. MATERIAL CERTIFICATIONS

1. Notice of Acceptance No. **20-0915.22** issued to **Kuraray America, Inc.** for their “**Trosifol® Ultraclear, Clear and Color PVB Glass Interlayers**”, expiring on 07/08/24.

F. STATEMENTS

1. Statement letter of conformance, complying with **FBC 6th Edition (2017)**, with **FBC 7th Edition (2020)**, and of no financial interest, dated 11/05/2020, prepared by Al-Farooq Corporation and signed and sealed by Jalal Farooq, P.E.

G. OTHERS

1. Notice of Acceptance No. **18-1220.05**, issued to Eco Window Systems, LLC for their Series “Eco-Guard 100” Aluminum Single Hung Window – L.M.I., approved on 01/24/2019 and expiring on 04/08/24.



Sifang Zhao, P.E.
Product Control Examiner
NOA No. 20-1119.14
Expiration Date: April 08, 2024
Approval Date: February 11, 2021

**ECO-GUARD SERIES-100
ALUMINUM SINGLE HUNG WINDOW**

DESIGN LOAD RATINGS FOR THESE WINDOWS TO BE AS PER CHARTS SHOWN ON SHEETS 2.

APPROVAL APPLIES TO SINGLE UNITS OR SIDE BY SIDE COMBINATIONS OF S.H./S.H. OR SINGLE HUNG WITH OTHER WINDOW TYPES IN MODULES OF TWO OR MORE WINDOWS USING MIAMI-DADE COUNTY APPROVED MULLIONS IN BETWEEN. LOWER DESIGN PRESSURE FROM WINDOWS OR MULLION APPROVAL WILL APPLY TO ENTIRE SYSTEM.

THIS PRODUCT HAS BEEN DESIGNED AND TESTED TO COMPLY WITH THE REQUIREMENTS OF THE 2017 (6TH EDITION)/2020 (7TH EDITION) FLORIDA BUILDING CODE INCLUDING HIGH VELOCITY HURRICANE ZONE (HVHZ).

1BY OR 2BY WOOD BUCKS & BUCK FASTENERS BY OTHERS, MUST BE DESIGNED AND INSTALLED ADEQUATELY TO TRANSFER APPLIED PRODUCT LOADS TO THE BUILDING STRUCTURE.

ANCHORS SHALL BE CORROSION RESISTANT, SPACED AS SHOWN ON DETAILS AND INSTALLED PER MANUF'S INSTRUCTIONS. SPECIFIED EMBEDMENT TO BASE MATERIAL SHALL BE BEYOND WALL DRESSING OR STUCCO.

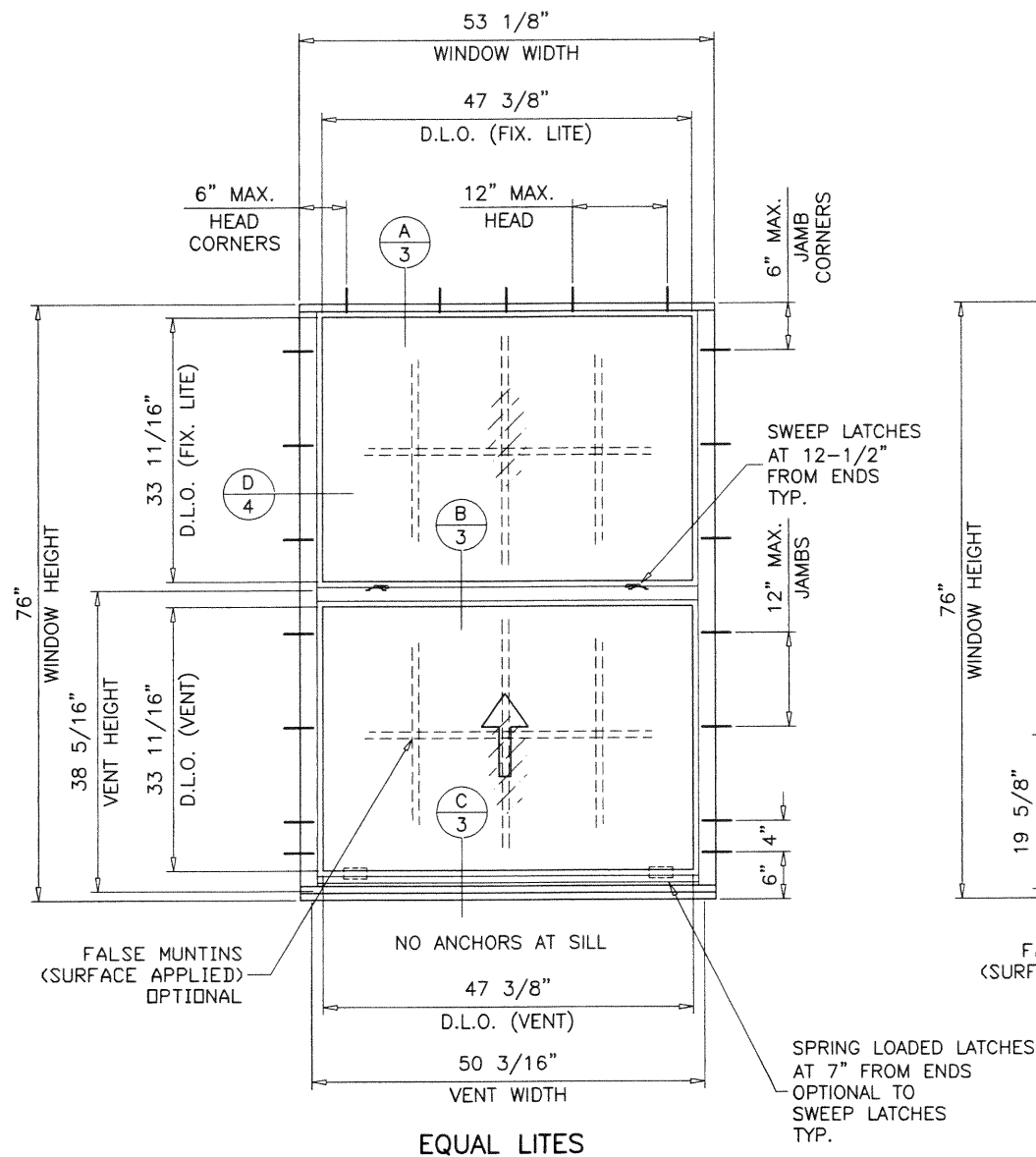
A LOAD DURATION INCREASE IS USED IN DESIGN OF ANCHORS INTO WOOD ONLY.

ALL SHIMS TO BE HIGH IMPACT, NON-METALLIC AND NON-COMPRESSIBLE.

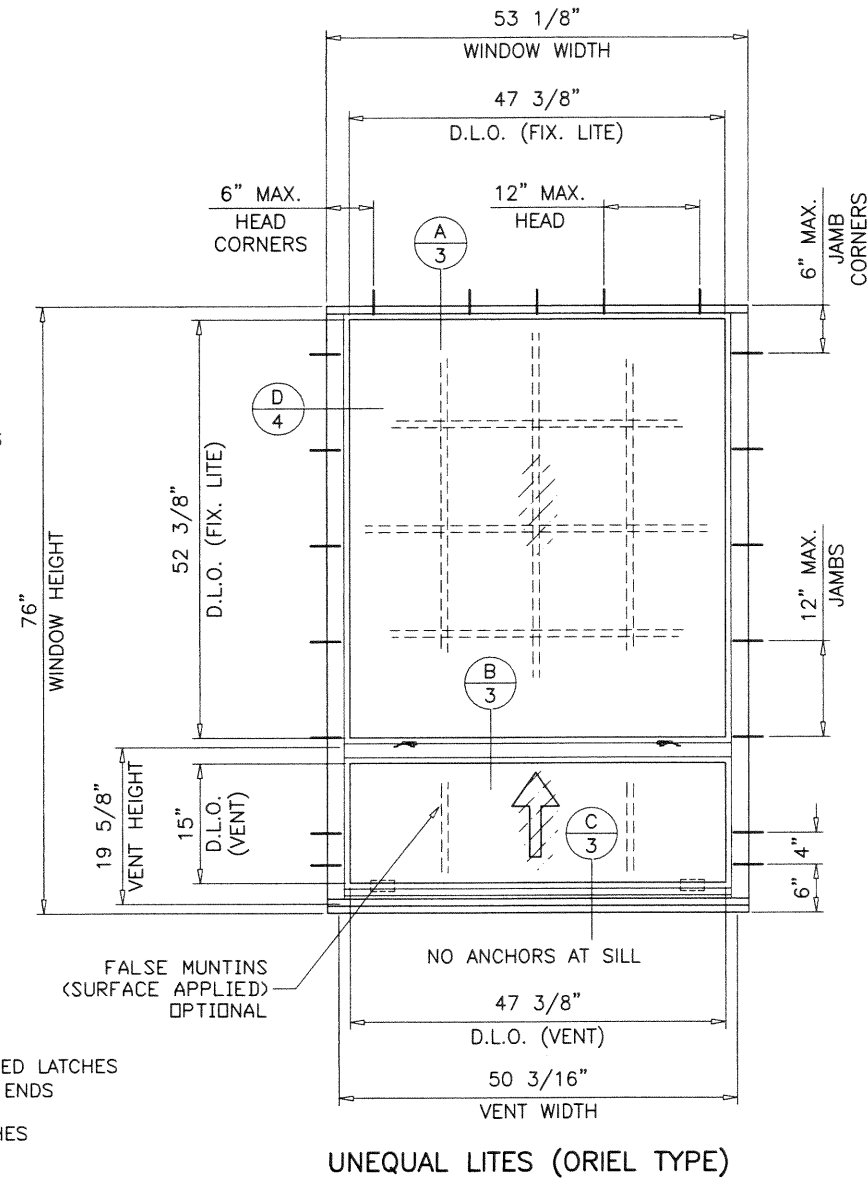
MATERIALS INCLUDING BUT NOT LIMITED TO STEEL/METAL SCREWS, THAT COME INTO CONTACT WITH OTHER DISSIMILAR MATERIALS SHALL MEET THE REQUIREMENTS OF THE 2017/2020 FLORIDA BLDG. CODE & ADOPTED STANDARDS.

THIS PRODUCT APPROVAL IS GENERIC AND DOES NOT PROVIDE INFORMATION FOR A SITE SPECIFIC PROJECT, i.e. LIFE SAFETY OF THIS PRODUCT, ADEQUACY OF STRUCTURE RECEIVING THIS PRODUCT AND SEALING AROUND OPENING FOR WATER INFILTRATION RESISTANCE ETC. CONDITIONS NOT SHOWN IN THIS DRAWING ARE TO BE ANALYZED SEPARATELY, AND TO BE REVIEWED BY BUILDING OFFICIAL.

DESIGN LOADS SHOWN ARE BASED ON 'ALLOWABLE STRESS DESIGN (ASD)'.



EQUAL LITES

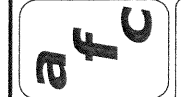
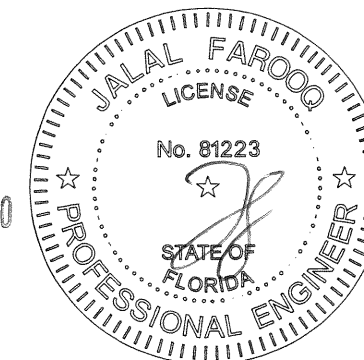


UNEQUAL LITES (ORIEL TYPE)

TYPICAL ELEVATIONS
TESTED UNITS

THESE WINDOWS ARE RATED FOR LARGE & SMALL MISSILE IMPACT. SHUTTERS ARE NOT REQUIRED.

NOV 10 2020



AL-FAROOQ CORPORATION
ENGINEERS & PRODUCT DEVELOPMENT
9360 SUNSET DRIVE, SUITE 220
MIAMI, FLORIDA 33173 (C.A.N. 3538)
TEL. (305) 264-8100 FAX. (305) 262-6978
COMP-ANL\W09-08ECO

ECO-GUARD SERIES-100 ALUM S.H. WDW. (L.M.I.)
ECO WINDOW SYSTEMS, LLC.
8502 N.W. 80th STREET
MEDLEY, FL. 33166
TEL. (305) 885-5299 FAX (305) 885-5902

no	date	description
C	02.06.14	GLASS & LATCH OPTION ADDED
D	03.18.15	UPDATED TO 2014 FBC
E	06.23.15	REV. PER RER COMMENTS
F	09.26.17	UPDATED TO 2017 FBC
G	11.05.20	UPDATED TO 2020 FBC

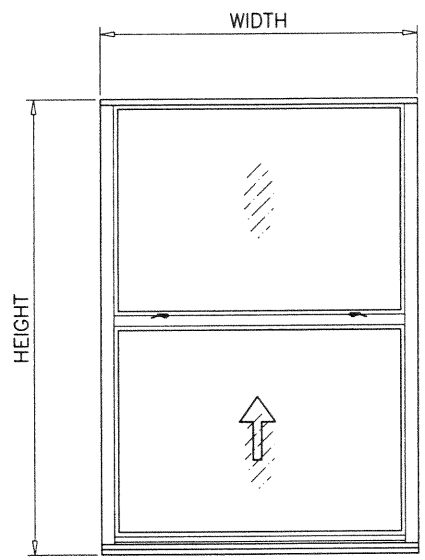
date: 02-12-09
scale: 1/2"=1'-0"
dr. by: TARIQ
chk. by:

drawing no.
W09-08

sheet 1 of 6

EQUAL LITES WINDOWS			
DESIGN LOAD CAPACITY - PSF			
FLANGE DIMS.		GLASS TYPES 'A', 'B' & 'C'	
WIDTH	HEIGHT	EXT.(+)	INT.(-)
19-1/8"	26" (3)	75.0	90.0
24"		75.0	90.0
26-1/2"		75.0	90.0
32"		75.0	90.0
37"		75.0	90.0
40"		75.0	90.0
48"		75.0	90.0
53-1/8"		75.0	90.0
19-1/8"	38-3/8" (4)	75.0	90.0
24"		75.0	90.0
26-1/2"		75.0	90.0
32"		75.0	90.0
37"		75.0	90.0
40"		75.0	90.0
48"		75.0	90.0
53-1/8"		75.0	90.0
19-1/8"	50-5/8" (5)	75.0	90.0
24"		75.0	90.0
26-1/2"		75.0	90.0
32"		75.0	90.0
37"		75.0	90.0
40"		75.0	90.0
48"		75.0	90.0
53-1/8"		75.0	90.0
19-1/8"	63" (6)	75.0	90.0
24"		75.0	90.0
26-1/2"		75.0	90.0
32"		75.0	90.0
37"		75.0	90.0
40"		75.0	90.0
48"		75.0	90.0
53-1/8"		75.0	90.0
19-1/8"	76" (7)	75.0	90.0
24"		75.0	90.0
26-1/2"		75.0	90.0
32"		75.0	90.0
37"		75.0	90.0
40"		75.0	90.0
48"		75.0	90.0
53-1/8"		75.0	90.0

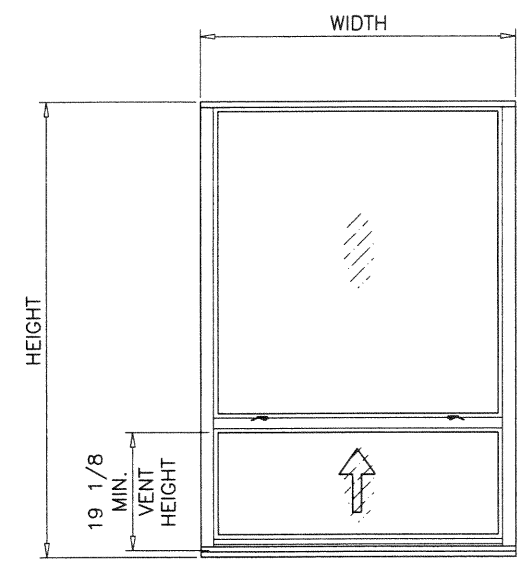
* NO. IN PARENTHESIS INDICATE NO. OF ANCHORS PER JAMB.



EQUAL LITES

UNEQUAL LITES WINDOWS					
DESIGN LOAD CAPACITY - PSF					
FLANGE DIMS.		GLASS TYPE 'A'		GLASS TYPES 'B' & 'C'	
WIDTH	HEIGHT	EXT.(+)	INT.(-)	EXT.(+)	INT.(-)
19-1/8"	50-5/8" (5)	75.0	90.0	75.0	90.0
24"		75.0	90.0	75.0	90.0
26-1/2"		75.0	90.0	75.0	90.0
32"		75.0	90.0	75.0	90.0
37"		75.0	90.0	75.0	90.0
40"		75.0	90.0	75.0	90.0
48"		75.0	90.0	75.0	90.0
53-1/8"		75.0	90.0	75.0	90.0
19-1/8"	63" (6)	75.0	90.0	75.0	90.0
24"		75.0	90.0	75.0	90.0
26-1/2"		75.0	90.0	75.0	90.0
32"		75.0	90.0	75.0	90.0
37"		75.0	90.0	75.0	90.0
40"		75.0	90.0	75.0	90.0
48"		75.0	90.0	75.0	90.0
53-1/8"		75.0	90.0	75.0	90.0
19-1/8"	76" (7)	75.0	90.0	75.0	90.0
24"		75.0	90.0	75.0	90.0
26-1/2"		75.0	90.0	75.0	90.0
32"		75.0	90.0	75.0	90.0
37"		75.0	90.0	75.0	90.0
40"		75.0	90.0	75.0	90.0
48"		75.0	90.0	75.0	90.0
53-1/8"		75.0	90.0	75.0	90.0

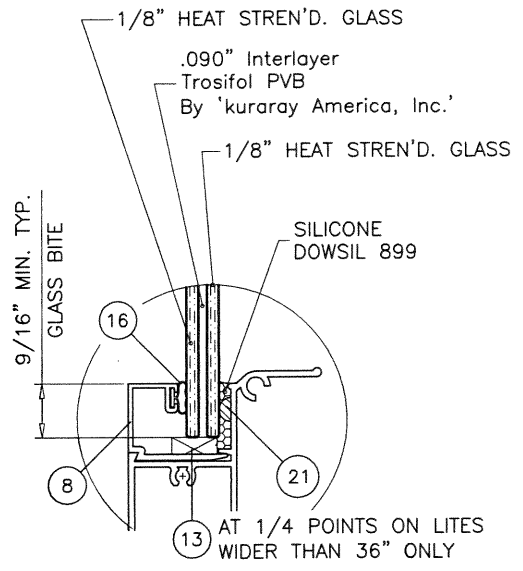
* NO. IN PARENTHESIS INDICATE NO. OF ANCHORS PER JAMB.



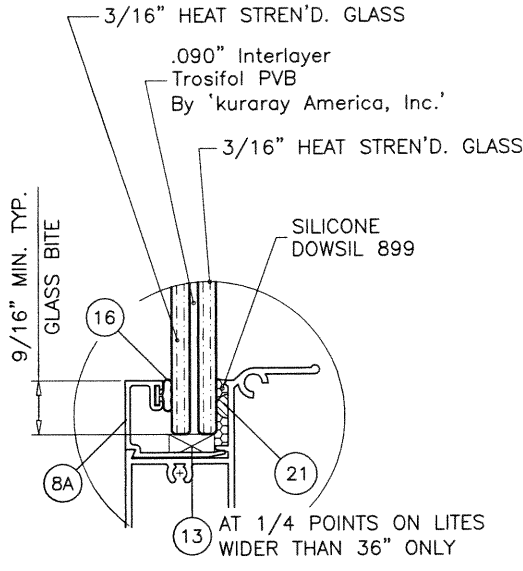
UNEQUAL LITES (ORIEL TYPE)

TO QUALIFY FOR SMALL MISSILE IMPACT RATING EXTERIOR PLY OF GLASS TYPE 'C' MUST BE TEMPERED.

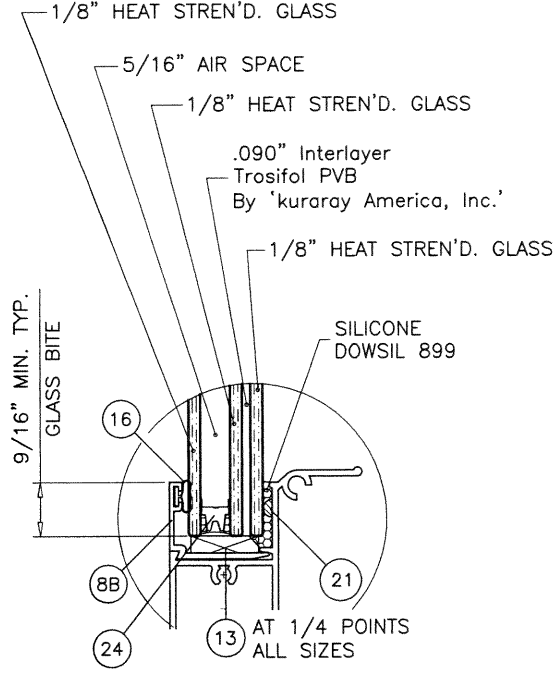
PRODUCT REVISED
as complying with the Florida Building Code
NOA-No. 20-1119.14
Expiration Date 04/08/2024
By *[Signature]*
Miami-Dade Product Control



GLASS TYPE 'A'

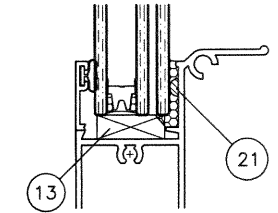


GLASS TYPE 'B'

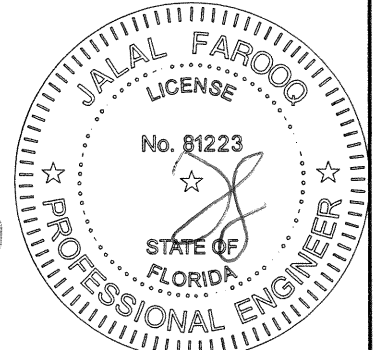


GLASS TYPE 'C'

GLAZING OPTIONS



SETTING BLOCKS AT LAM. GLASS AND INSUL. LAM. GLASS NOTCH GLAZING BEAD LEG TO CLEAR BLOCKS



NOV 10 2020

NOTE: GLASS CAPACITIES ON THIS SHEET ARE BASED ON ASTM E1300-09 (3 SEC. GUSTS) AND FLORIDA BUILDING COMMISSION DECLARATORY STATEMENT DCA05-DEC-219

af c
AL-FAROOQ CORPORATION
ENGINEERS & PRODUCT DEVELOPMENT
9360 SUNSET DRIVE, SUITE 220
MIAMI, FLORIDA 33173 (C.A.N. 3538)
TEL. (305) 264-8100 FAX. (305) 262-6978
COMP-ANL\W09-08ECO

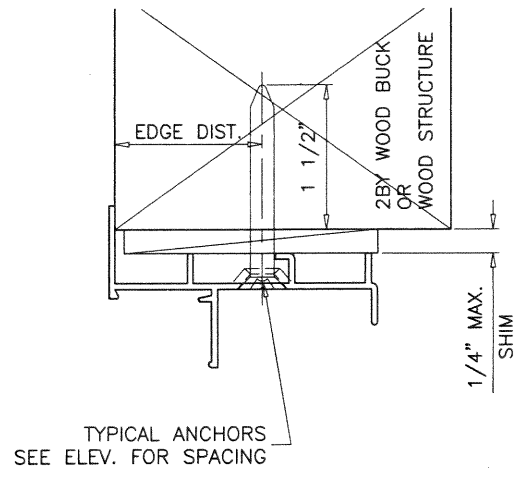
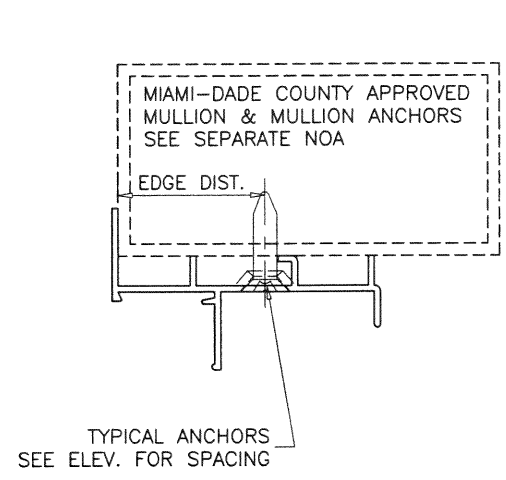
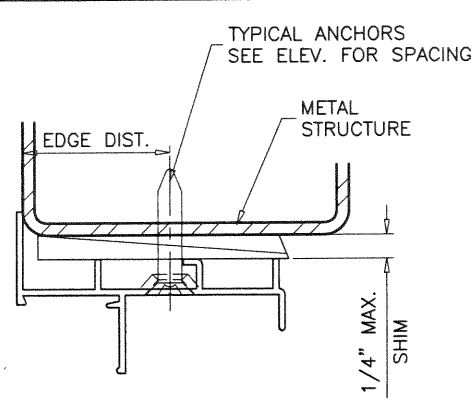
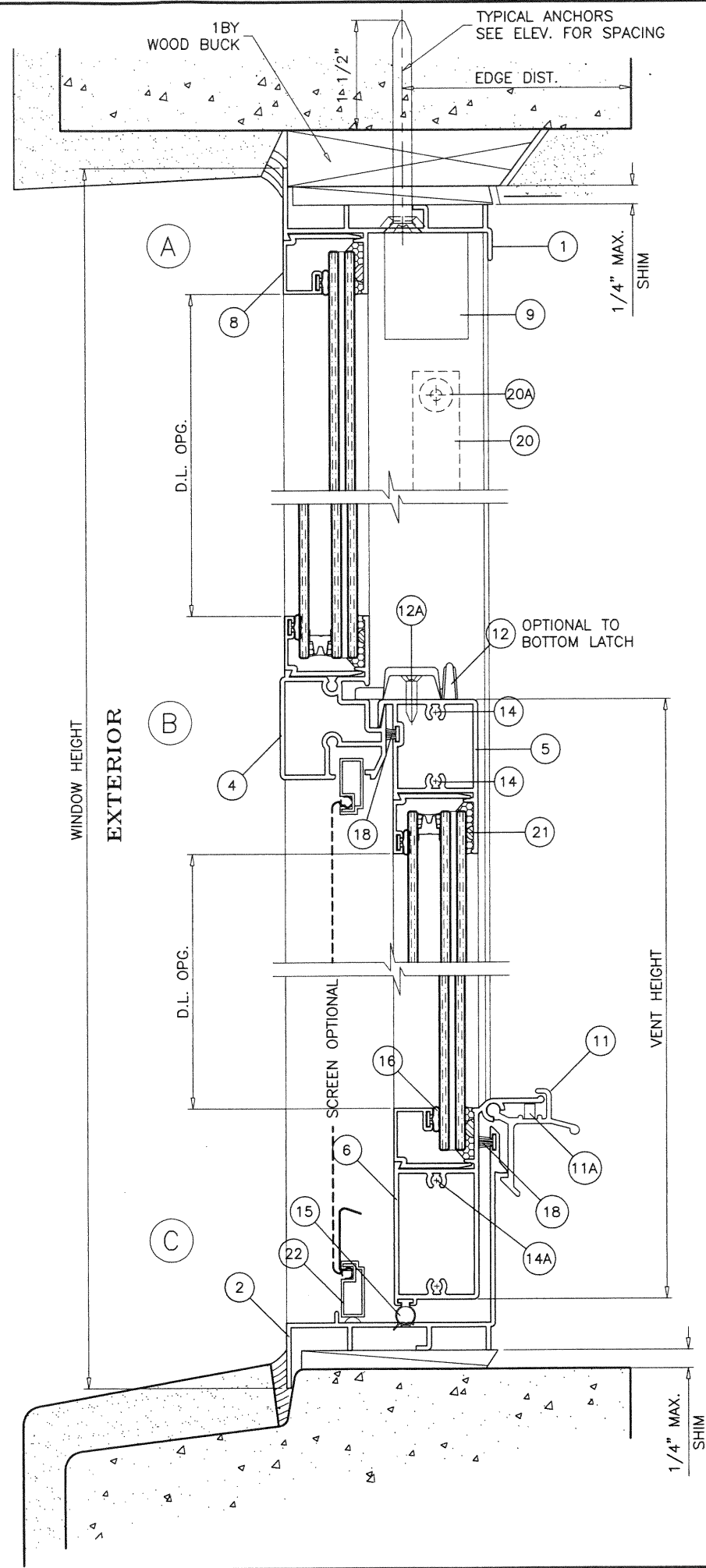
ECO-GUARD SERIES-100 ALUM S.H. WDW. (L.M.I.)
ECO WINDOW SYSTEMS, LLC.
8502 N.W. 80th STREET
MEDLEY, FL. 33166
TEL. (305) 885-5299 FAX (305) 885-5902

no	date	description
C	02.06.14	GLASS & LATCH OPTION ADDED
D	03.18.15	UPDATED TO 2014 FBC
E	06.23.15	REV. PER RER COMMENTS
F	09.26.17	UPDATED TO 2017 FBC
G	11.05.20	UPDATED TO 2020 FBC

revisions:

date: 02-12-09
scale: 1/2" = 1"
dr. by: TARIQ
chk. by:

drawing no. **W09-08**
sheet 2 of 6



SEALANT:

ALL JOINTS AND FRAME CONNECTIONS SEALED WITH JOINT SEALER.

WOOD BUCKS AND METAL STRUCTURE NOT BY 'ECO WDW.' MUST SUSTAIN LOADS IMPOSED BY GLAZING SYSTEM AND TRANSFER THEM TO THE BUILDING STRUCTURE.

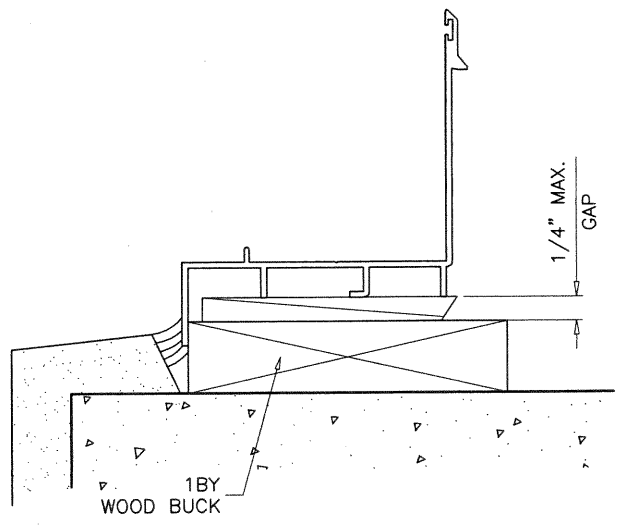
TYPICAL ANCHORS: SEE ELEV. FOR SPACING

- 1/4" DIA. ULTRACON+ BY 'DEWALT'** (Fu=164 KSI, Fy=148 KSI) INTO 2BY WOOD BUCKS OR WOOD STRUCTURES
- 1-1/2" MIN. PENETRATION INTO WOOD (HEAD/JAMBS)
- THRU 1BY BUCKS INTO CONC. OR BLOCKS
- 1-1/4" MIN. EMBED INTO CONCRETE (HEAD/JAMBS)
- 1-1/4" MIN. EMBED INTO BLOCKS (JAMBS)
- DIRECTLY INTO CONCRETE OR BLOCKS
- 1-1/2" MIN. EMBED INTO CONCRETE (HEAD/JAMBS)
- 1-1/4" MIN. EMBED INTO BLOCKS (JAMBS)

- #14 SMS OR SELF DRILLING SCREWS** (GRADE 2 CRS) INTO MIAMI-DADE COUNTY APPROVED MULLIONS OR INTO METAL STRUCTURES (HEAD/JAMBS)
- (3) THREADS MIN. PENETRATION BEYOND SUBSTRATE
- ALUMINUM: 1/8" THK. MIN. (6063-T5 MIN.)
- STEEL: 1/8" THK. MIN. (Fy = 36 KSI MIN.)
- (STEEL IN CONTACT WITH ALUMINUM TO BE PLATED OR PAINTED)

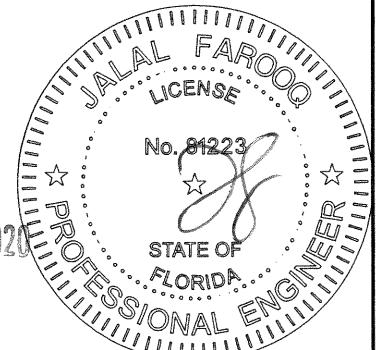
TYPICAL EDGE DISTANCE

- INTO CONCRETE AND MASONRY = 2-1/2" MIN.
- INTO WOOD STRUCTURE = 1" MIN.
- INTO METAL STRUCTURE = 3/4" MIN.
- WOOD AT HEAD, SILL OR JAMBS SG = 0.55 MIN.
- CONCRETE AT HEAD, SILL OR JAMBS f'c = 3000 PSI MIN. C-90
- HOLLOW/FILLED NORMAL WEIGHT BLOCK AT JAMBS f'm = 2000 PSI MIN.



PRODUCT REVISED
 as complying with the Florida Building Code
 NOA-No. 20-1119.14
 Expiration Date 04/08/2024
 By *[Signature]*
 Miami-Dade Product Control

NOV 10 2020



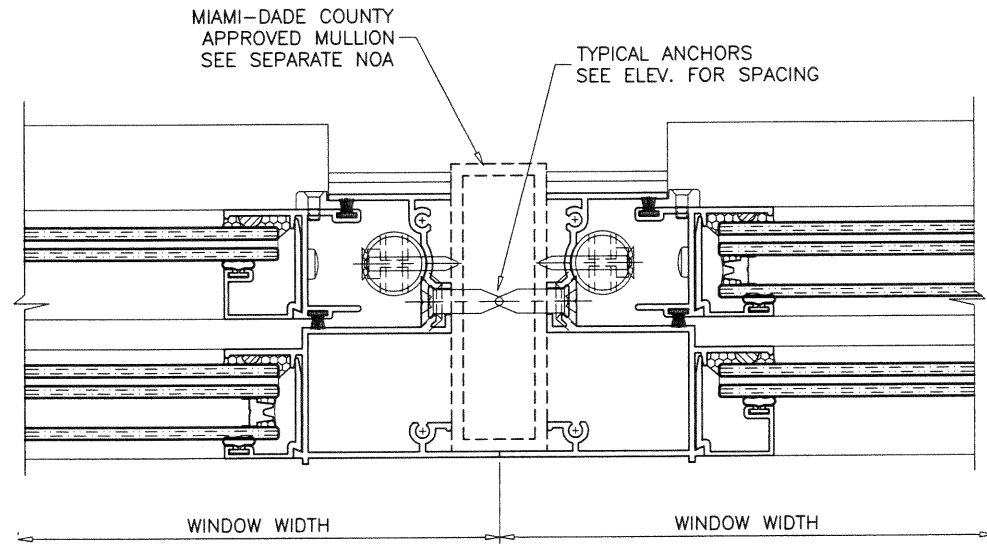
af c
AL-FAROOQ CORPORATION
 ENGINEERS & PRODUCT DEVELOPMENT
 9360 SUNSET DRIVE, SUITE 220
 MIAMI, FLORIDA 33173 (C.A.N. 3538)
 TEL. (305) 264-8100 FAX. (305) 262-6978
 COMP-ANL\W09-08ECO

ECO-GUARD SERIES-100 ALUM S.H. WDW. (L.M.I.)
ECO WINDOW SYSTEMS, LLC.
 8502 N.W. 80th STREET
 MEDLEY, FL. 33166
 TEL. (305) 885-5299 FAX (305) 885-5902

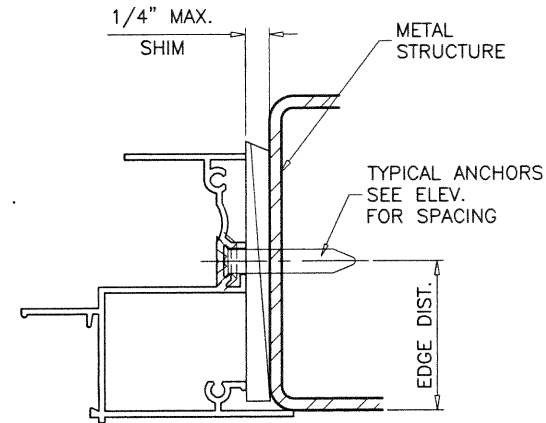
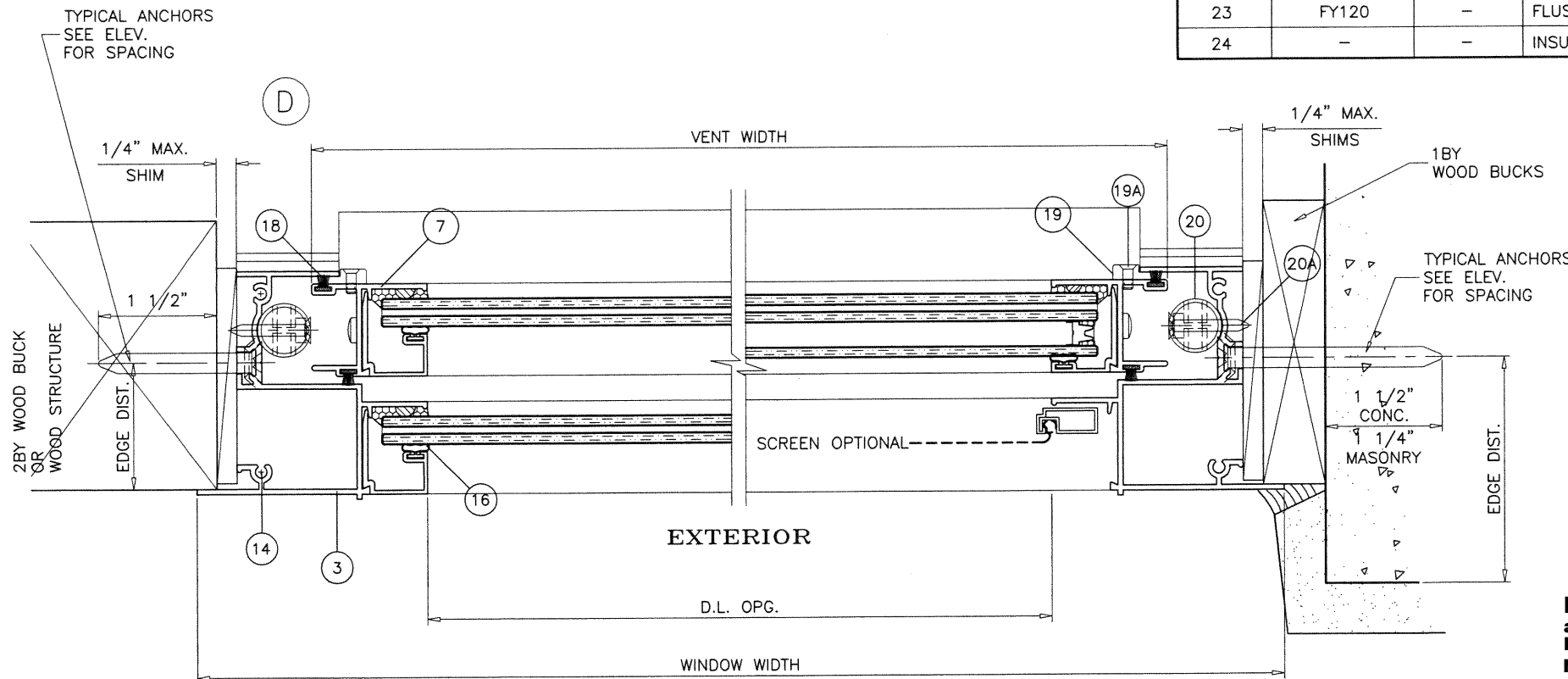
revisions:

no	date	description
C	02.06.14	GLASS & LATCH OPTION ADDED
D	03.18.15	UPDATED TO 2014 FBC
E	06.23.15	REV. PER RER COMMENTS
F	09.26.17	UPDATED TO 2017 FBC
G	11.05.20	UPDATED TO 2020 FBC

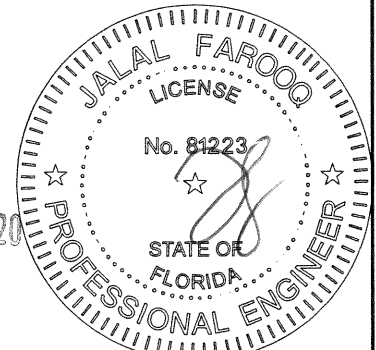
date: 02-12-09
 scale: 1/2" = 1"
 dr. by: TARIQ
 chk. by:
 drawing no. W09-08
 sheet 3 of 6



ITEM #	PART #	REQD.	DESCRIPTION	MATERIAL	MANF./SUPPLIER/REMARKS
1	FY101	1	FRAME HEAD	6063-T6	-
2	FY115	1	FRAME SILL	6063-T6	-
3	FY103	2	FRAME JAMB	6063-T6	-
4	FY104	1	FIXED MTG. RAIL	6063-T6	-
5	FY105	1	VENT TOP RAIL	6063-T6	-
6	FY114	1	VENT BOTTOM RAIL	6063-T6	-
7	FY107	2	VENT SIDE RAIL	6063-T6	-
8	FY108	AS RQD.	GLAZING BEAD (5/16" LAM. GLASS)	6063-T6	-
8A	FY109	AS RQD.	GLAZING BEAD (7/16" LAM. GLASS)	6063-T6	-
8B	FY110	AS RQD.	GLAZING BEAD (INSUL. LAM. GLASS)	6063-T6	-
9	FY116	2/VENT	SASH STOP	6063-T5	-
11	FY113	2/VENT	SPRING LOADED LATCH, AT 7" FROM ENDS	6063-T6	-
11A	-	1/ LATCH	LATCH SPRING	ST. STEEL	-
12	SL203P	2/VENT	SWEEP LATCH, AT 12-1/2" FROM ENDS	ZAMAK	SULLIVAN & ASSOC.
12A	#8 X 5/8"	2/ LATCH	LATCH INST. SCREWS	ST. STEEL	FH SMS
13	-	AS REQD.	SETTING BLOCK	EPDM	DUROMETER 80±5 SHORE A
14	#8 X 1"	AS REQD.	FRAME & VENT ASSEMBLY SCREWS	CRS	PH SMS
14A	#8 X 3/8"	2/ VENT	BOTTOM RAIL ASSEMBLY SCREWS	CRS	PH SMS
15	E207	AS REQD.	BOTTOM RAIL SEAL - SERIES 101	NEOPRENE	ULTRAFAB
16	E203	AS REQD.	GLAZING BEAD BULB	SANTOPRENE	ULTRAFAB
18	W23181	AS REQD.	FIN SEAL W'STRIPPING	-	ULTRAFAB
19	FY117	4/ VENT	SASH GUIDE	CELCON	M&M PLASTICS
19A	#6 X 3/8"	1/ GUIDE	SASH GUIDE INST. SCREW	CRS	OH SMS TYPE B
20	F210	2/VENT	SASH BALANCE	-	SUPERBOOST BY BSI
20A	#8 X 5/8"	1/ BALANCE	BALANCE INST. SCREW	-	P FH SMS
21	-	AS REQD.	GLASS SPACER	SILICONE	FRANK LOWE
22	-	1	5/16" BOX SCREEN	-	OPTIONAL
23	FY120	-	FLUSH FRAME ADAPTER	6063-T6	OPTIONAL
24	-	-	INSUL. GLASS EDGE SPACER	ST. STEEL	CARDINAL XL



PRODUCT REVISED
 as complying with the Florida Building Code
 NOA-No. 20-1119.14
 Expiration Date 04/08/2024 NOV 10 2020
 By *[Signature]*
 Miami-Dade Product Control



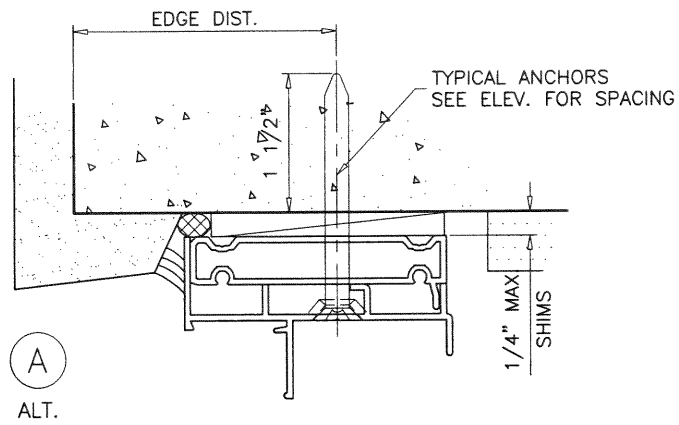
afC
AL-FAROOQ CORPORATION
 ENGINEERS & PRODUCT DEVELOPMENT
 9360 SUNSET DRIVE, SUITE 220 (C.A.N. 3538)
 MIAMI, FLORIDA 33173 TEL. (305) 262-6978
 (305) 264-8100 FAX. (305) 262-6978
 COMP-ANL W09-08ECO

ECO-GUARD SERIES-100 ALUM S.H. WDW. (L.M.I.)
ECO WINDOW SYSTEMS, LLC.
 8502 N.W. 80th STREET
 MEDLEY, FL. 33166
 TEL. (305) 885-5299 FAX (305) 885-5902

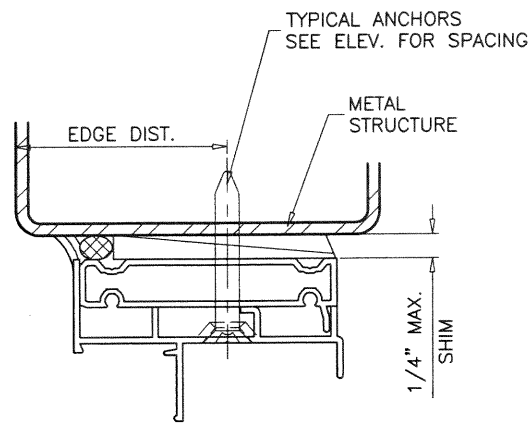
no	date	by	description
C	02.06.14		GLASS & LATCH OPTION ADDED
D	03.18.15		UPDATED TO 2014 FBC
E	06.23.15		REV. PER RER COMMENTS
F	09.26.17		UPDATED TO 2017 FBC
G	11.05.20		UPDATED TO 2020 FBC

date: 02-12-09
 scale: 1/2" = 1"
 dr. by: TARIQ
 chk. by:

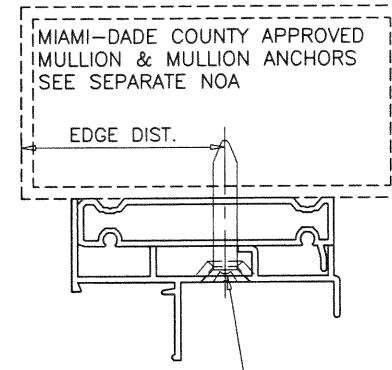
drawing no.
W09-08
 sheet 4 of 6



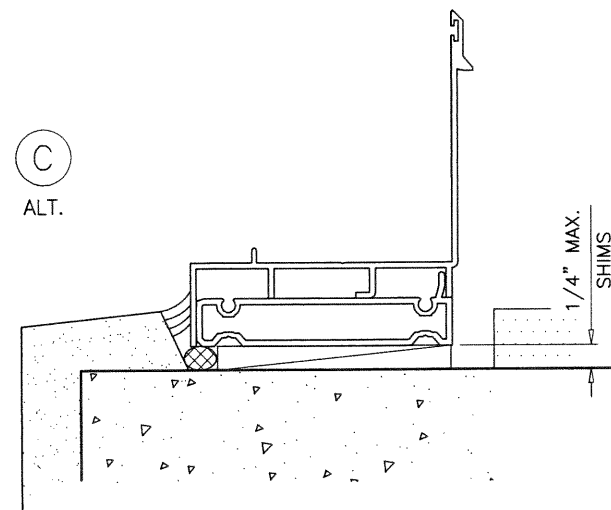
A
ALT.



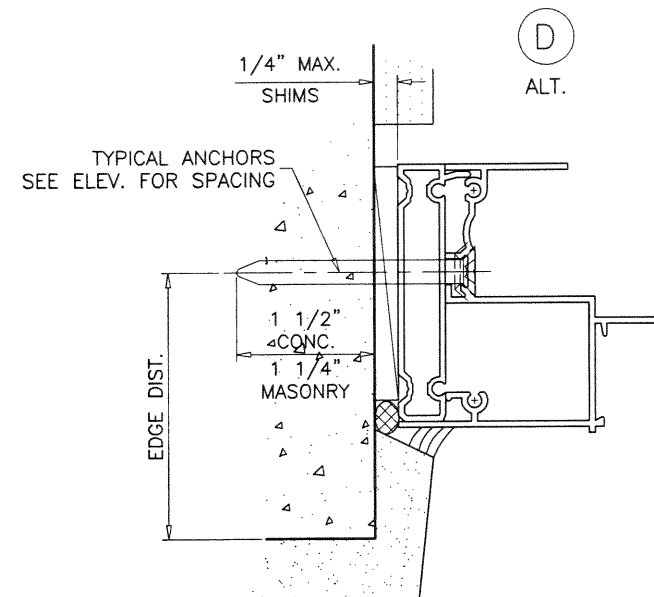
TYPICAL ANCHORS
SEE ELEV. FOR SPACING



TYPICAL ANCHORS
SEE ELEV. FOR SPACING



C
ALT.



D
ALT.

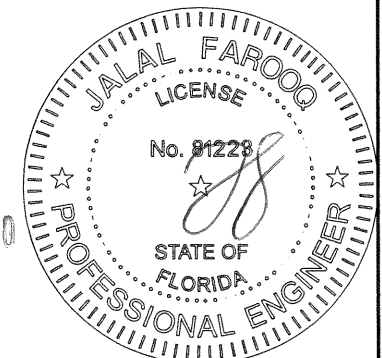
INSTALLATION DETAILS WITH FLUSH FRAME ADAPTER

PRODUCT REVISED
as complying with the Florida
Building Code
NOA-No. 20-1119.14

Expiration Date 04/08/2024

By *[Signature]*
Miami-Dade Product Control

NOV 10 2020



af c
AL-FAROOQ CORPORATION
ENGINEERS & PRODUCT DEVELOPMENT
9360 SUNSET DRIVE, SUITE 220
MIAMI, FLORIDA 33173 (C.A.N. 3538)
TEL. (305) 264-8100 FAX. (305) 262-6978
COMP-ANL\W09-08ECO

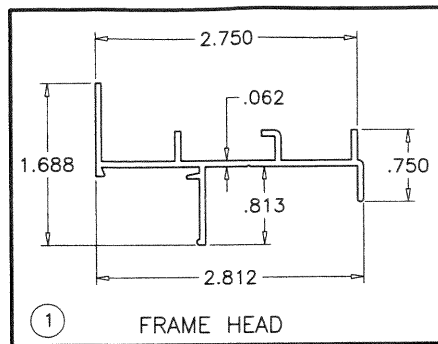
ECO-GUARD SERIES-100 ALUM S.H. WDW. (L.M.I.)
ECO WINDOW SYSTEMS, LLC.
8502 N.W. 80th STREET
MEDLEY, FL. 33166
TEL. (305) 885-5299 FAX (305) 885-5902

no	date	by	description
C	02.06.14		NO CHANGE THIS SHEET
D	03.18.15		UPDATED TO 2014 FBC
E	06.23.15		NO CHANGE THIS SHEET
F	09.26.17		UPDATED TO 2017 FBC
G	11.05.20		UPDATED TO 2020 FBC

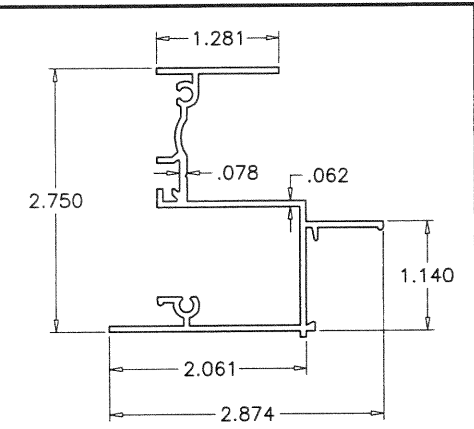
date: 02-12-09
scale: 1/2" = 1"
dr. by: TARIQ
chk. by:

drawing no.
W09-08

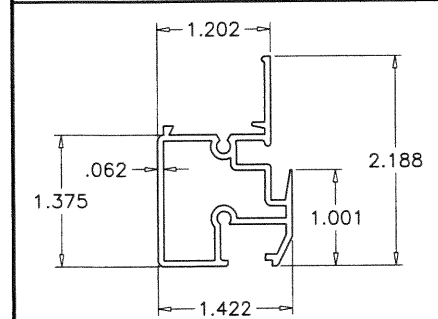
sheet 5 of 6



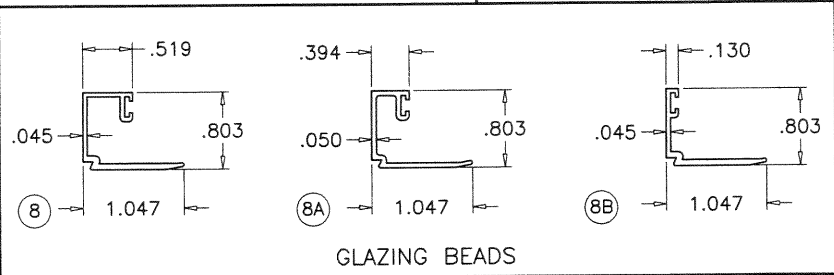
① FRAME HEAD



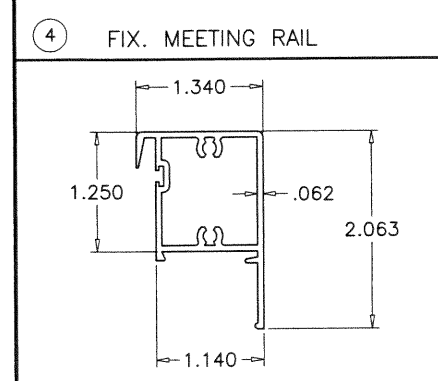
③ FRAME JAMB



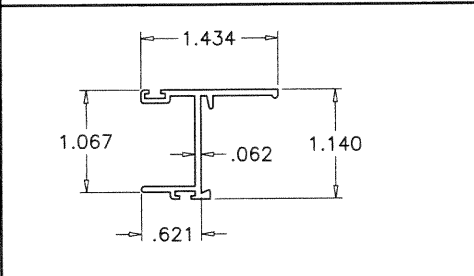
④ FIX. MEETING RAIL



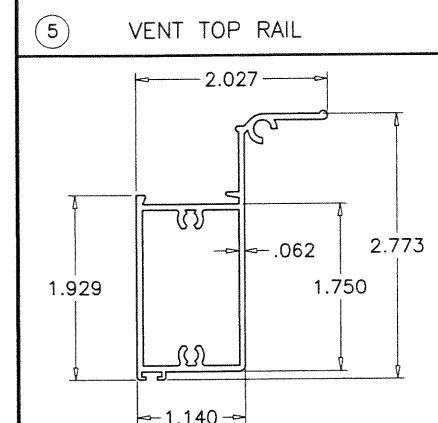
⑧ GLAZING BEADS



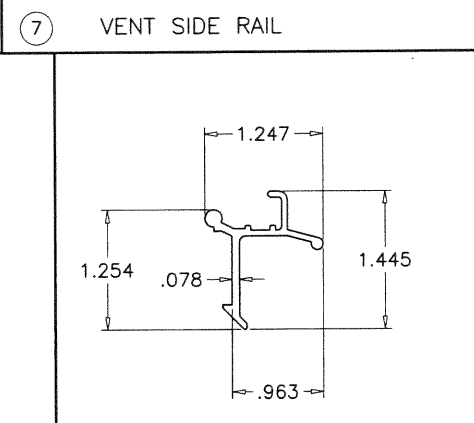
⑤ VENT TOP RAIL



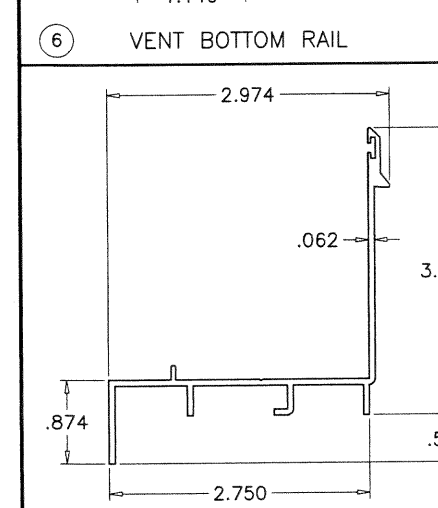
⑦ VENT SIDE RAIL



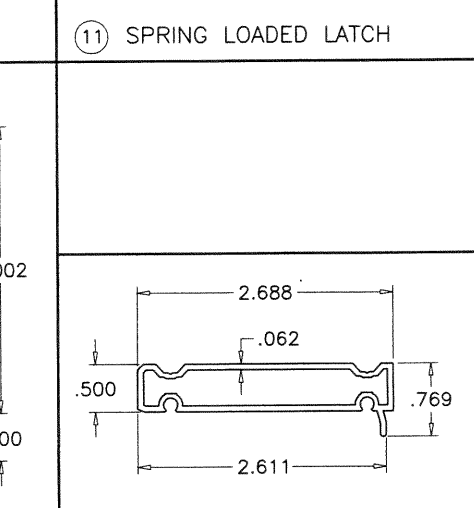
⑥ VENT BOTTOM RAIL



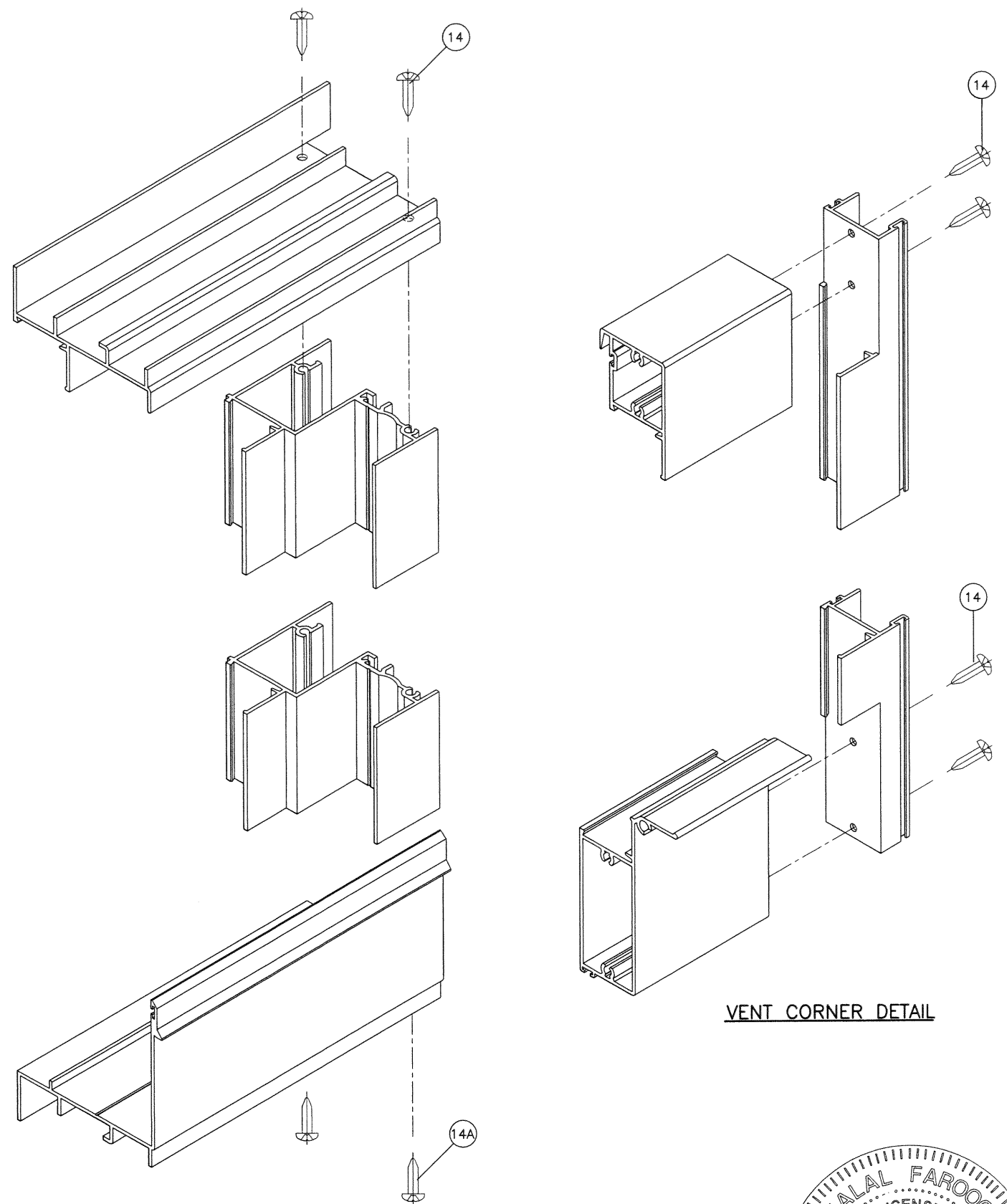
⑪ SPRING LOADED LATCH



② FRAME SILL



⑳ FLUSH FRAME ADAPTER

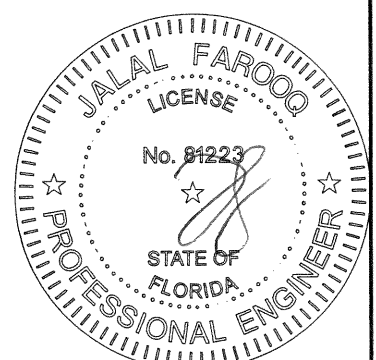


FRAME CORNERS DETAIL

VENT CORNER DETAIL

PRODUCT REVISED
 as complying with the Florida
 Building Code
 NOA-No. 20-1119.14
 Expiration Date 04/08/2024
 By *[Signature]*
 Miami-Dade Product Control

NOV 10 2020



af c
AL-FAROOQ CORPORATION
 ENGINEERS & PRODUCT DEVELOPMENT
 9360 SUNSET DRIVE, SUITE 220
 MIAMI, FLORIDA 33173 (C.A.N. 3538)
 TEL. (305) 264-8100 FAX. (305) 262-6978
 COMP-ANL\W09-08ECO

ECO-GUARD SERIES-100 ALUM S.H. WDW. (L.M.I.)
ECO WINDOW SYSTEMS, LLC.
 8502 N.W. 80th STREET
 MEDLEY, FL. 33166
 TEL. (305) 885-5299 FAX (305) 885-5902

no	date	by	description
C	02.06.14		GLASS & LATCH OPTION ADDED
D	03.18.15		UPDATED TO 2014 FBC
E	06.23.15		NO CHANGE THIS SHEET
F	09.26.17		UPDATED TO 2017 FBC
G	11.05.20		UPDATED TO 2020 FBC

date: 02-12-09
 scale: 1/2" = 1"
 dr. by: TARIQ
 chk. by:
 drawing no.
W09-08
 sheet 6 of 6