



DEPARTMENT OF REGULATORY AND ECONOMIC RESOURCES (RER)  
BOARD AND CODE ADMINISTRATION DIVISION

MIAMI-DADE COUNTY  
PRODUCT CONTROL SECTION

11805 SW 26 Street, Room 208

Miami, Florida 33175-2474

T (786) 315-2590 F (786) 315-2599

[www.miamidade.gov/pera](http://www.miamidade.gov/pera)

## NOTICE OF ACCEPTANCE (NOA)

**Ceramica La Escandella S.A.**  
**Ctra. Novelda, km 2,5**  
**03698 Agost (Alicante) SPAIN**

### SCOPE:

This NOA is being issued under the applicable rules and regulations governing the use of construction materials. The documentation submitted has been reviewed and accepted by Miami-Dade County RER - Product Control Section to be used in Miami Dade County and other areas where allowed by the Authority Having Jurisdiction (AHJ).

This NOA shall not be valid after the expiration date stated below. The Miami-Dade County Product Control Section (in Miami-Dade County) and/or the AHJ (in areas other than Miami-Dade County) reserve the right to have this product or material tested for quality assurance purposes. If this product or material fails to perform in the accepted manner, the manufacturer will incur the expense of such testing and the AHJ may immediately revoke, modify, or suspend the use of such product or material within their jurisdiction. RER reserves the right to revoke this acceptance, if it is determined by Miami-Dade County Product Control Section that this product or material fails to meet the requirements of the applicable building code.

This product is approved as described herein, and has been designed to comply with the Florida Building Code including the High Velocity Hurricane Zone of the Florida Building Code.

### DESCRIPTION: La Escandella Planum Clay Roof Tile

**LABELING:** Each unit shall bear a permanent label with the manufacturer's name or logo, city, state and following statement: "Miami-Dade County Product Control Approved", unless otherwise noted herein.

**RENEWAL** of this NOA shall be considered after a renewal application has been filed and there has been no change in the applicable building code negatively affecting the performance of this product.

**TERMINATION** of this NOA will occur after the expiration date or if there has been a revision or change in the materials, use, and/or manufacture of the product or process. Misuse of this NOA as an endorsement of any product, for sales, advertising or any other purposes shall automatically terminate this NOA. Failure to comply with any section of this NOA shall be cause for termination and removal of NOA.

**ADVERTISEMENT:** The NOA number preceded by the words Miami-Dade County, Florida, and followed by the expiration date may be displayed in advertising literature. If any portion of the NOA is displayed, then it shall be done in its entirety.

**INSPECTION:** A copy of this entire NOA shall be provided to the user by the manufacturer or its distributors and shall be available for inspection at the job site at the request of the Building Official.

This NOA renews NOA# 16-0202.03 and consists of pages 1 through 5.

The submitted documentation was reviewed by *Freddy Semino*



NOA No.: 20-1207.05  
Expiration Date: 02/10/26  
Approval Date: 01/21/21  
Page 1 of 5

## ROOFING ASSEMBLY APPROVAL

**Category:** Roofing  
**Sub Category:** Roofing Tiles  
**Material:** Clay

### 1. SCOPE

This approves a roofing system using **La Escandella Planum Clay Roof Tile** manufactured by **Ceramica La Escandella S.A.** in Agost (Alicante) Spain and is distributed by **SantaFe Tile Corporation.**, as described in Section 2 of this Notice of Acceptance. For locations where the pressure requirements, as determined by applicable Building Code does not exceed the design pressure values obtained by calculations in compliance with RAS 127 using the values listed in section 4 herein. The attachment calculations shall be done as a moment based system.

### 2. PRODUCT DESCRIPTION

<u>Manufactured by Applicant</u>	<u>Dimensions</u>	<u>Test Specifications</u>	<u>Product Description</u>
Planum Clay Tile	Length: 17-3/4" Width: 11"	ASTM C 1167 Type III Grade 1	Flat clay roof tile for direct deck adhered installation.
Trim Pieces	Length: varies Width: varies Thickness: varies	ASTM C 1167	Accessory trim, concrete roof pieces for use at hips, rakes ridges and valley terminations

#### 2.1 MANUFACTURING LOCATION

2.1.1. Agost (Alicante), Spain

#### 2.2 EVIDENCE SUBMITTED

<u>Test Agency</u>	<u>Test Name/Report</u>	<u>Test Identifier</u>	<u>Date</u>
American Test Lab of South Florida	ASTM C 1167 ASTM C 1167	RT0404.01-16 RT0731.03-20	04/29/16 07/31/20
Specialized Testing	TAS 101	STQA50349	10/01/10



NOA No.: 20-1207.05  
Expiration Date: 02/10/26  
Approval Date: 01/21/21  
Page 2 of 5

### 3. LIMITATIONS:

- 3.1 Fire classification is not part of this acceptance.
- 3.2 For mortar or adhesive set tile applications, a static field uplift test in accordance with TAS 106 may required, refer to applicable building code.
- 3.3 Applicant shall retain the services of a Miami-Dade County Certified Laboratory to perform quarterly test in accordance with TAS 112, appendix 'A'. Such testing shall be submitted to the Department of Regulatory and Economic Resources – Product Control Section for review.
- 3.4 Minimum underlayment shall be in compliance with the applicable Roofing Applications Standards listed section 4.1 herein.
- 3.5 30/90 hot mopped underlayment applications may be installed perpendicular to the roof slope unless stated otherwise by the underlayment material manufacturers published literature.
- 3.6 This acceptance is for wood deck applications. Minimum deck requirements shall be in compliance with applicable building code.

### 4. INSTALLATION

- 4.1 Ceramica La Escandella's Planum Flat Clay Tile and its components shall be installed in strict compliance with Roofing Application Standard RAS 120.
- 4.2 Data For Attachment Calculations.

Table 1: Average Weight (W) and Dimensions (l x w )			
Tile Profile	Weight-W (lbf)	Length-l (ft)	Width-w (ft)
Planum Flat Clay Tile	7.5	1.479	0.917

Table 2: Aerodynamic Multipliers - $\lambda$ (ft <sup>3</sup> )		
Tile Profile	$\lambda$ (ft <sup>3</sup> ) Batten Application	$\lambda$ (ft <sup>3</sup> ) Direct Deck Application
Planum Flat Clay Tile	N/A	0.268

Table 3: Restoring Moments due to Gravity - $M_g$ (ft-lbf)						
Tile Profile	2":12"	3":12"	4":12"	5":12"	6":12"	7":12" or Greater
Planum Flat Clay Tile	Direct Deck	Direct Deck	Direct Deck	Direct Deck	Direct Deck	Direct Deck
	5.97	5.92	5.84	5.74	5.61	5.47

Table 6: Attachment Resistance Expressed as a Moment - $M_f$ (ft-lbf) for Single Patty Adhesive Set Systems		
Tile Profile	Tile Application	Minimum Attachment Resistance
Planum Flat Clay Tile	3M™ 2-Component Foam Roof Tile Adhesive AH-160	79 <sup>1</sup>

<sup>1</sup> Large paddy placement weight 71 grams of 3M™ 2-Component Foam Roof Tile Adhesive AH-160.



## 5. LABELING

- 5.1 All tiles shall bear the imprint or identifiable marking of the manufacturer's name or logo as detailed below, or following statement: "Miami-Dade County Product Control Approved".

# La Escandella Planum Flat Clay Roof Tile

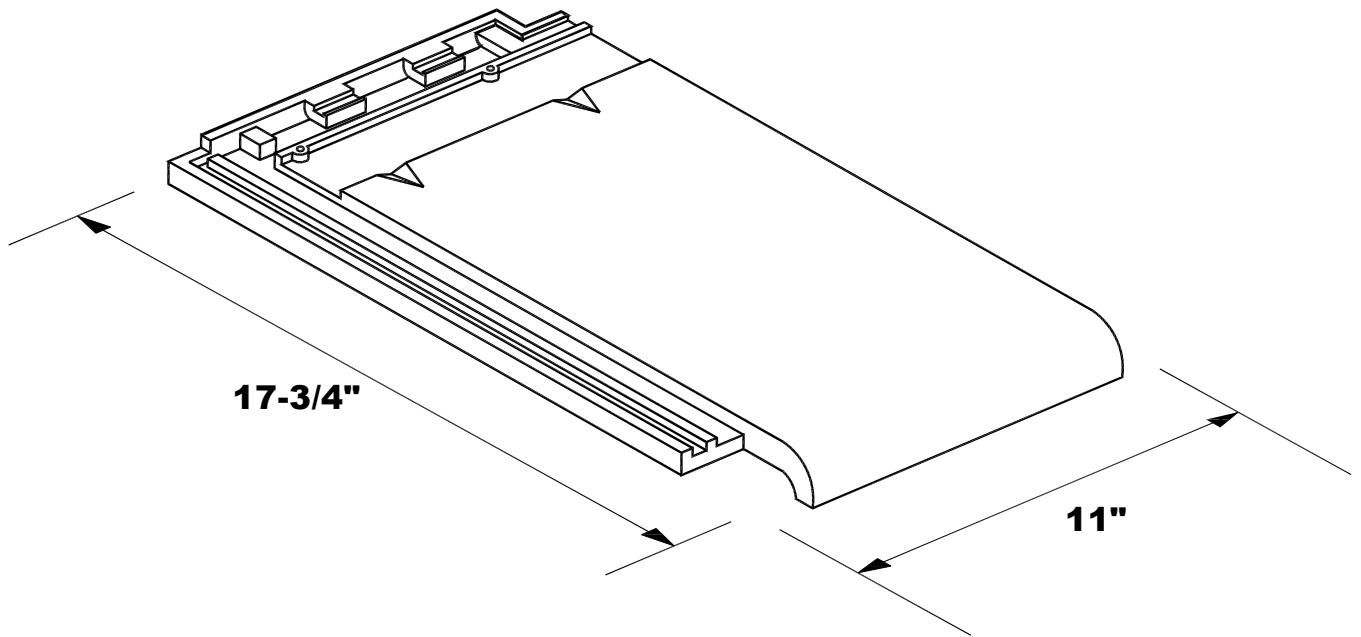
## La Escandella Planum (LOCATED ON THE BOTTOM OF TILE)



## 6. BUILDING PERMIT REQUIREMENTS:

- 6.1 Application for building permit shall be accompanied by copies of the following:
- 6.1.1 This Notice of Acceptance.
  - 6.1.2 Any other documents required by Building Official or Applicable building code in order to properly evaluate the installation of this system.

**PROFILE DRAWING**



**La Escandella Planum Flat Clay Roof Tile**

**END OF THIS ACCEPTANCE**

