



DEPARTMENT OF REGULATORY AND ECONOMIC RESOURCES (RER)
BOARD AND CODE ADMINISTRATION DIVISION

MIAMI-DADE COUNTY
PRODUCT CONTROL SECTION

11805 SW 26 Street, Room 208
Miami, Florida 33175-2474

T (786) 315-2590 F (786) 315-2599

www.miamidade.gov/pera

NOTICE OF ACCEPTANCE (NOA)

Dal-Tile Corporation
7834 CF Hawn Frwy
Dallas, TX. 75217

SCOPE:

This NOA is being issued under the applicable rules and regulations governing the use of construction materials. The documentation submitted has been reviewed and accepted by Miami-Dade County RER - Product Control Section to be used in Miami Dade County and other areas where allowed by the Authority Having Jurisdiction (AHJ).

This NOA shall not be valid after the expiration date stated below. The Miami-Dade County Product Control Section (in Miami-Dade County) and/or the AHJ (in areas other than Miami-Dade County) reserve the right to have this product or material tested for quality assurance purposes. If this product or material fails to perform in the accepted manner, the manufacturer will incur the expense of such testing and the AHJ may immediately revoke, modify, or suspend the use of such product or material within their jurisdiction. RER reserves the right to revoke this acceptance, if it is determined by Miami-Dade County Product Control Section that this product or material fails to meet the requirements of the applicable building code.

This product is approved as described herein, and has been designed to comply with the Florida Building Code including the High Velocity Hurricane Zone of the Florida Building Code.

DESCRIPTION: Perennial Porcelain Roof Tile

LABELING: Each unit shall bear a permanent label with the manufacturer's name or logo, city, state and following statement: "Miami-Dade County Product Control Approved", unless otherwise noted herein.

RENEWAL of this NOA shall be considered after a renewal application has been filed and there has been no change in the applicable building code negatively affecting the performance of this product.

TERMINATION of this NOA will occur after the expiration date or if there has been a revision or change in the materials, use, and/or manufacture of the product or process. Misuse of this NOA as an endorsement of any product, for sales, advertising or any other purposes shall automatically terminate this NOA. Failure to comply with any section of this NOA shall be cause for termination and removal of NOA.

ADVERTISEMENT: The NOA number preceded by the words Miami-Dade County, Florida, and followed by the expiration date may be displayed in advertising literature. If any portion of the NOA is displayed, then it shall be done in its entirety.

INSPECTION: A copy of this entire NOA shall be provided to the user by the manufacturer or its distributors and shall be available for inspection at the job site at the request of the Building Official.

This NOA consists of pages 1 through 7.

The submitted documentation was reviewed by Alex Tigera.



NOA No.: 21-0511.02
Expiration Date: 09/09/26
Approval Date: 09/09/21
Page 1 of 7

ROOFING ASSEMBLY APPROVAL

Category: Roofing
Sub Category: Roofing Tiles
Material: Porcelain

1. SCOPE

This approves a roofing system using **Perennial Porcelain Roof Tiles** manufactured by **Dal-Tile Corporation**, as described in Section 2 of this Notice of Acceptance. For locations where the pressure requirements, as determined by applicable Building Code does not exceed the design pressure values obtained by calculations in compliance with RAS 127 using the values listed in section 4 herein. The attachment calculations shall be done as an uplift based system.

2. PRODUCT DESCRIPTION

<u>Manufactured by Applicant</u>	<u>Dimensions</u>	<u>Test Specifications</u>	<u>Product Description</u>
Perennial Porcelain Roof Tile	L = 11" W = 22" Thickness: 3/8" – 1/2" nominal	ASTM C 1167 Type – III Grade – 1	Flat profile porcelain roof tile. For direct deck mechanically fastened applications.
Perennial Hip/Ridge Tile	L = 15.75" – 16" W = 6.75" (top), 7.75" (bottom) Thickness: 0.32" nominal	ASTM C 1167 Type – III Grade – 1	Accessory trim, porcelain roof pieces for use at hips, rakes, ridges and valley terminations manufactured for each tile profile.

2.1 PRODUCTS MANUFACTURED BY OTHERS

<u>Product Name</u>	<u>Product Description</u>	<u>Manufacturer (With Current NOA)</u>
Polystick MTS	A homogeneous, rubberized asphalt waterproofing membrane, glass fiber reinforced with polyolefinic film on the upper surface for use as a tile underlayment within this roof system.	Polyglass USA, Inc.
SecureGrip Max	Synthetic roof-deck underlayment for use as an interlayment within this roof system.	Continental Materials, Inc.

2.2 MANUFACTURING LOCATION

2.2.1. Florence, Alabama

2.3 EVIDENCE SUBMITTED

<u>Test Agency</u>	<u>Test Identifier</u>	<u>Test Name/Report</u>	<u>Date</u>
Intertek	I1689.03-106-18 R0	ASTM C 1167	11/07/19
	103469556SAT-001A	ASTM E 108	05/08/18
	L7478.01-807-18-R0	TAS 100	04/02/21
American Test Lab of South Florida	RT0903.01-20	TAS 102	09/05/20



NOA No.: 21-0511.02
 Expiration Date: 09/09/26
 Approval Date: 09/09/21
 Page 2 of 7

APPROVED SYSTEMS:

- Deck Type:** Wood, Non-insulated
- Deck Description:** New Construction ^{19/32}" or greater plywood or wood plank, or for re-roofing ^{15/32}" or greater plywood.
- Slope Range:** 3-¹/₂:12" or greater
- Underlayment:** Apply a minimum of one layer of an ASTM D 226 Type II. Underlayment shall be fastened with corrosion resistant tin-caps and 12 gauge 1-¹/₄" annular ring-shank nails, spaced 6" o.c. at all laps and two staggered rows 12" o.c. in the field of the roll.
- Over the ASTM D 226 Type II, apply a minimum of one layer of Polystick MTS self-adhered underlayment. See manufactures published installation instructions for further details.
- Starter Shim:** Along the eave, install the 3/8" tall starter shim for standard 3/8" thick tiles, or 1/2" tall starter shim for 1/2" tall tiles over the Polystick MTS self-adhered underlayment using stainless steel screws or approved corrosion resistant fasteners spaced 6" o.c.
- Optional prefabricated eave metal with built in riser can be used in lieu of spacer. Installation of prefabricated eave shall be as outlined in the section marked "Eave Metal"
- Eave Metal:** Eave metal shall be installed over the starter shim and shall be fastened with minimum 12 gauge annular ring shank nails at a maximum spacing of 4" o.c. The nails shall be manufactured from similar and compatible material to the termination profile. All composite materials shall be fastened with non-ferrous nails. All metal profiles shall be installed in compliance with RAS 111.
- Apply one layer of Polystick MTS over the edge metal and onto the roof deck.
- Additionally install one 14" wide layer of SecureGrip Max Interlayment along the eave of the roof over Poystick MTS.
- Application:** Perennial Porcelain Roof Tiles shall be laid so that alternate courses do not align, all joints shall be offset not less than 3" from any underlying joint. Spacing between slate (joints or slots) shall be no more than ¹/₁₆". Perennial Porcelain Roof Tiles shall have a maximum 8.5" exposure and minimum of 5" exposure.
- Each slate shall be installed with four (4) #8 x 2-1/2" long bugle head screws through the four (4) pre-punctured holes on the tile.
- (Interlayment) Each succeeding course of the Perennial Porcelain Roof Tiles shall be applied with an interlayment of SecureGrip Max Interlayment, 14" wide laid over the top portion of the Perennial Porcelain Roof Tiles, and extending onto the sheathing. No interlayment shall be exposed.



Valleys: Valley detail shall be in accordance with RAS 118 and the current published installation instructions and details in Dal-Tile Corporation’s current installation manual.

Hips and Ridges
Ridges: Install “nailers” over the underlayment in preparation for the Hip tiles. Nailers should be mitered and installed as close as possible to the center of hip/ridgeline. Using a chalkline will help to keep the tiles on center. Nailers should be installed 6” up from the bottom of the hip end. Nailers should be covered with a layer of SecureGrip Max interlayment. Field tile should be installed within a ¼” of the nailer boards.

Ridges shall be covered with Perennial Porcelain Hip/Ridge tile with a maximum exposure of 8”. Use a Miami Dade Approved tile adhesive in the overlaps of the hip/ridge tiles.

DATA FOR ATTACHMENT CALCULATIONS:

Calculations shall be in compliance with RAS 127 as an uplift based system (RAS 127, section 3)

Table 1: Average Weight (W) and Dimensions (l x w)			
Tile Profile	Weight-W (lbf)	Length-l (ft)	Width-w (ft)
Perennial Porcelain Roof Tile	7.727	0.91	1.83

Table 2: Attachment Expressed as Uplift – F’ (lbf)		
Tile Profile	Tile Application	Minimum Attachment Resistance
Perennial Porcelain Roof Tile	Four (4) #8 x 2-1/2” screws	154.349



3. LIMITATIONS:

- 3.1 Fire classification is not part of this acceptance.
- 3.2 Applicant shall retain the services of a Miami-Dade County Certified Laboratory to perform quarterly test in accordance with TAS 112, appendix 'A'. Such testing shall be submitted to the Regulatory and Economic Development Department – Product Control Section for review.
- 3.3 This acceptance is for wood deck applications. Minimum deck requirements shall be in compliance with applicable building code.

4. LABELING

- 5.1 All tiles shall be permanently labeled with the manufacturer’s name and/or logo, and the following statement: “Miami-Dade County Product Control Approved” **or** with the Miami-Dade County Product Control Seal as seen below.

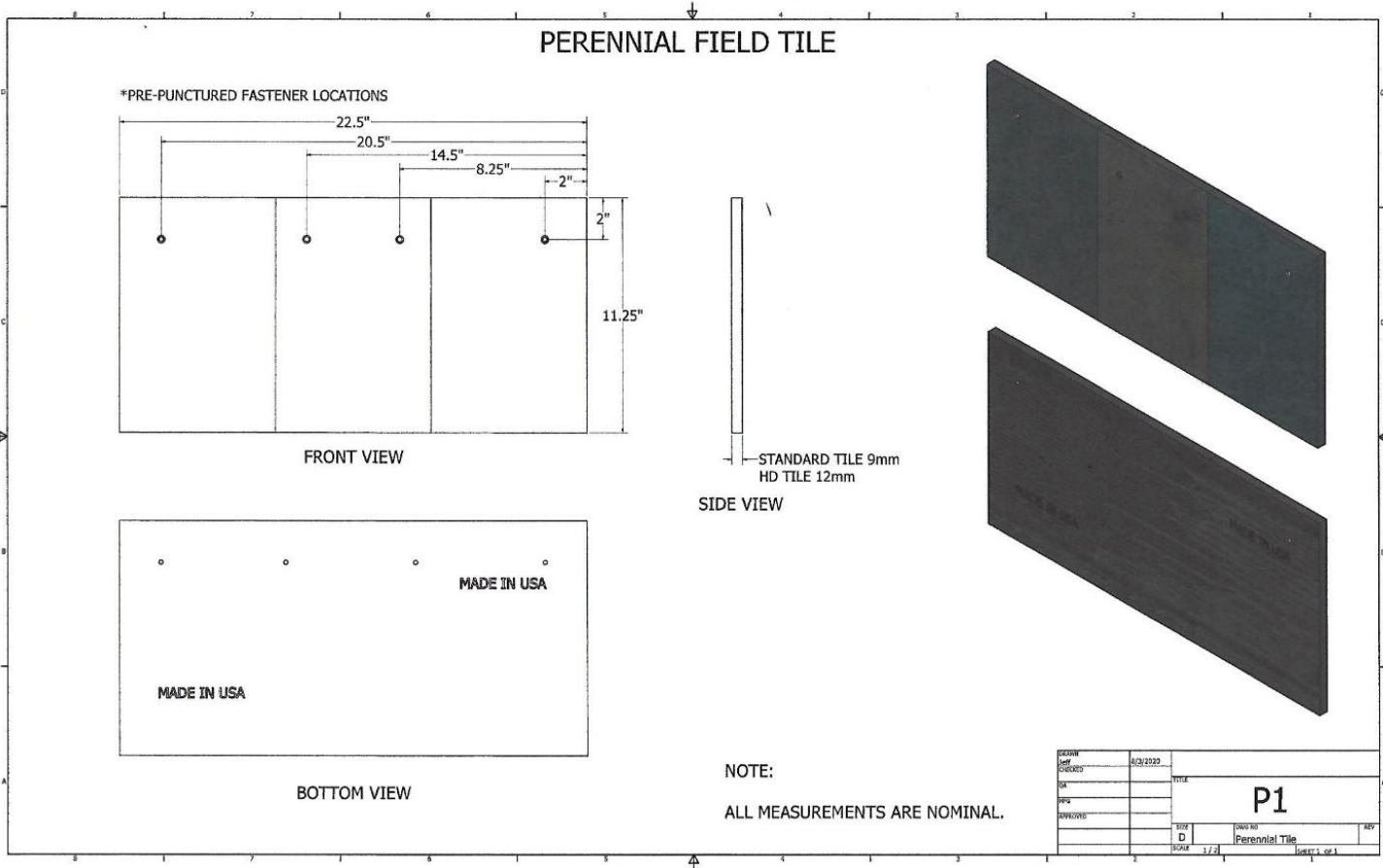


5. BUILDING PERMIT REQUIREMENTS:

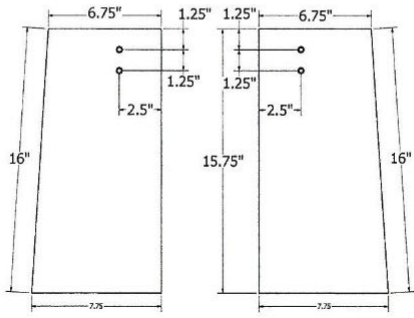
- 5.1 Application for building permit shall be accompanied by copies of the following:
 - 5.1.1 This Notice of Acceptance.
 - 5.1.2 Any other documents required by Building Official or Applicable building code in order to properly evaluate the installation of this system.



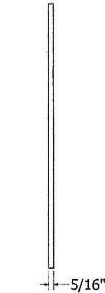
PROFILE DRAWING



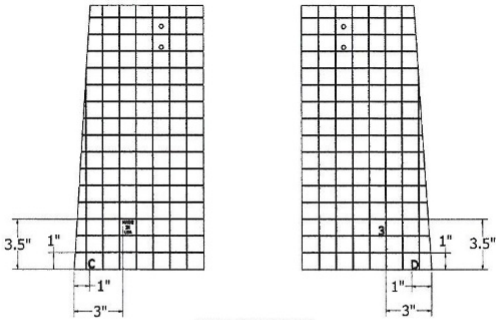
PERENNIAL HIP/RIDGE TILE



FRONT VIEW



SIDE VIEW



BOTTOM VIEW

NOTE:

ALL MEASUREMENTS ARE NOMINAL.

DESIGN	DATE	8/2/2020	TITLE	P2
DRAWN				
CHK				
APP'D				
SCALE				
			NO. 0000	REV
			D	Hip and Ridge Tile
				Sheet 1 of 3

END OF THIS ACCEPTANCE

