



DEPARTMENT OF REGULATORY AND ECONOMIC RESOURCES (RER)
BOARD AND CODE ADMINISTRATION DIVISION

MIAMI-DADE COUNTY
PRODUCT CONTROL SECTION
11805 SW 26 Street, Room 208
Miami, Florida 33175-2474
T (786) 315-2590 F (786) 315-2599
www.miamidade.gov/economy

NOTICE OF ACCEPTANCE (NOA)

Solar Stack, Inc.
1071 SW 30th Ave
Deerfield Beach, FL. 33442

SCOPE:

This NOA is being issued under the applicable rules and regulations governing the use of construction materials. The documentation submitted has been reviewed and accepted by Miami-Dade County RER - Product Control Section to be used in Miami Dade County and other areas where allowed by the Authority Having Jurisdiction (AHJ).

This NOA shall not be valid after the expiration date stated below. The Miami-Dade County Product Control Section (In Miami Dade County) and/or the AHJ (in areas other than Miami Dade County) reserve the right to have this product or material tested for quality assurance purposes. If this product or material fails to perform in the accepted manner, the manufacturer will incur the expense of such testing and the AHJ may immediately revoke, modify, or suspend the use of such product or material within their jurisdiction. RER reserves the right to revoke this acceptance, if it is determined by Miami-Dade County Product Control Section that this product or material fails to meet the requirements of the applicable building code.

This product is approved as described herein, and has been designed to comply with the Florida Building Code including the High Velocity Hurricane Zone of the Florida Building Code.

DESCRIPTION: Solar Stack PV Mounts

LABELING: Each unit shall bear a permanent label with the manufacturer's name or logo, city, state and following statement: "Miami-Dade County Product Control Approved", unless otherwise noted herein.

RENEWAL of this NOA shall be considered after a renewal application has been filed and there has been no change in the applicable building code negatively affecting the performance of this product.

TERMINATION of this NOA will occur after the expiration date or if there has been a revision or change in the materials, use, and/or manufacture of the product or process. Misuse of this NOA as an endorsement of any product, for sales, advertising or any other purposes shall automatically terminate this NOA. Failure to comply with any section of this NOA shall be cause for termination and removal of NOA.

ADVERTISEMENT: The NOA number preceded by the words Miami-Dade County, Florida, and followed by the expiration date may be displayed in advertising literature. If any portion of the NOA is displayed, then it shall be done in its entirety.

INSPECTION: A copy of this entire NOA shall be provided to the user by the manufacturer or its distributors and shall be available for inspection at the job site at the request of the Building Official.

This NOA consists of pages 1 through 4.

The submitted documentation was reviewed by Alex Tigera.



NOA No.: 21-0520.05
Expiration Date: 09/09/26
Approval Date: 09/09/21
Page 1 of 6

ROOFING COMPONENT APPROVAL

Category: Roofing
Sub-Category: Other
Materials Aluminum

SCOPE

This approves the “Solar Stack PV Mounts” as described in this Notice of Acceptance.

PRODUCT DESCRIPTION

<u>Product</u>	<u>Dimensions</u>	<u>Test Specifications</u>	<u>Product Description</u>
Solar Stack PV Mount – 8” Solar Stack	Length = 8” Width = 5” Height = 4.473” Yield Strength = Min 35ksi	Proprietary	Extruded aluminum support for Roofing Accessory.
Solar Stack PV Mount – 12” Solar Stack	Length = 12” Width = 5” Height = 4.473” Yield Strength = Min 35ksi	Proprietary	Extruded aluminum support for Roofing Accessory.
Low Solar Stack PV Mount – 8” Solar Stack – 5 degree	Length = 8” Width = 5” Height = 3.85” to 3.5” Yield Strength = Min 35ksi	Proprietary	Extruded aluminum support for Roofing Accessory.
High Solar Stack PV Mount – 8” Solar Stack – 5 degree	Length = 8” Width = 5” Height = 6.95” to 6.6” Yield Strength = Min 35ksi	Proprietary	Extruded aluminum support for Roofing Accessory.

MANUFACTURING LOCATION

1. Lake Worth, FL.

EVIDENCE SUBMITTED

<u>Test Agency</u>	<u>Test Identifier</u>	<u>Test Name/Report</u>	<u>Date</u>
Keymark Corporation	SS-EMS-2021-01	Mechanical Properties	01/14/21



NOA No.: 21-0520.05
Expiration Date: 09/09/26
Approval Date: 09/09/21
Page 2 of 6

LIMITATIONS

1. Fire classification is not part of this acceptance; refer to a current Approved Roofing Materials Directory for fire ratings of this product.
2. Refer to prepared roofing system Product Control Notice of Acceptance for listed approval of this product with specific prepared roofing products. **Solar Stack PV Mounts** may be used with any approved roof covering Notice of Acceptance listing **Solar Stack PV Mounts** as a component part of an assembly in the Notice of Acceptance.

If **Solar Stack PV Mounts** are not listed, a request may be made to the Authority Having Jurisdiction (AHJ) or the Miami-Dade County Product Control Section for approval provided that appropriate documentation is provided to detail compatibility of the products, wind uplift resistance, and fire testing results.

3. All products listed herein shall have a quality assurance audit in accordance with the Florida Building Code and Rule 61G20-3 of the Florida Administrative Code.

LABELING

1. Solar Stack PV Mounts shall be labeled with the Miami-Dade Product Control Approved Seal as seen below or the wording "Miami-Dade County Product Control Approved".



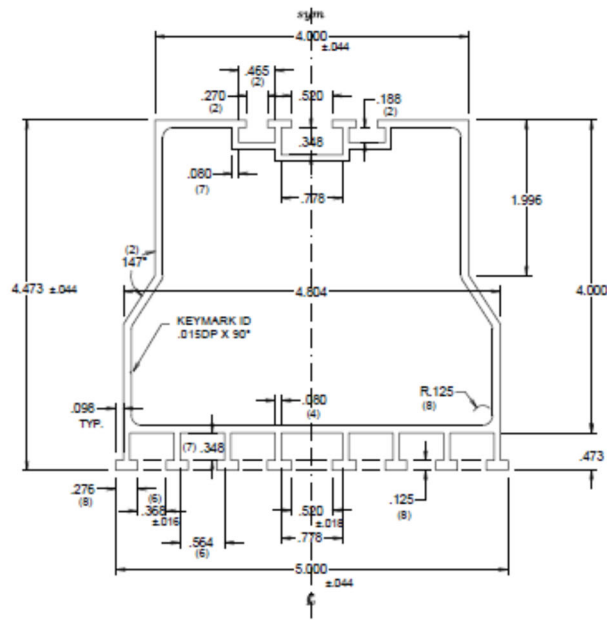
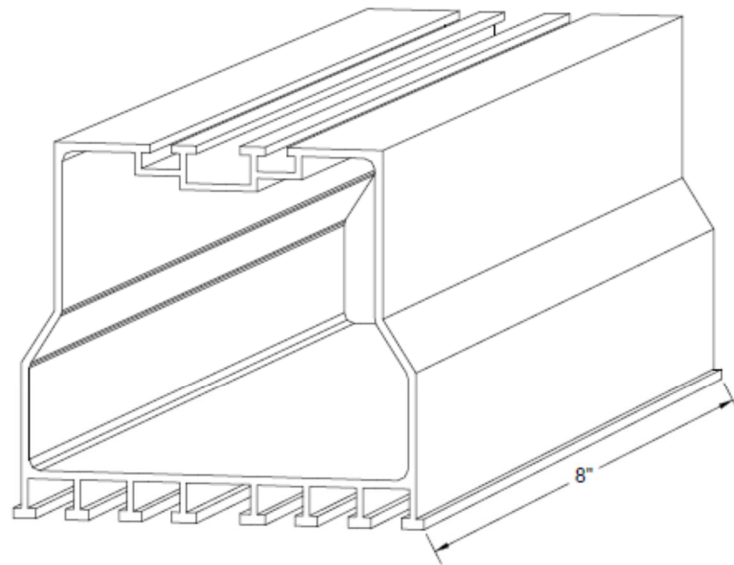
BUILDING PERMIT REQUIREMENTS

Application for building permit shall be accompanied by copies of the following.

1. This Notice of Acceptance.
2. Any other documents required by the Building Official or the applicable code in order to properly evaluate the installation of this component

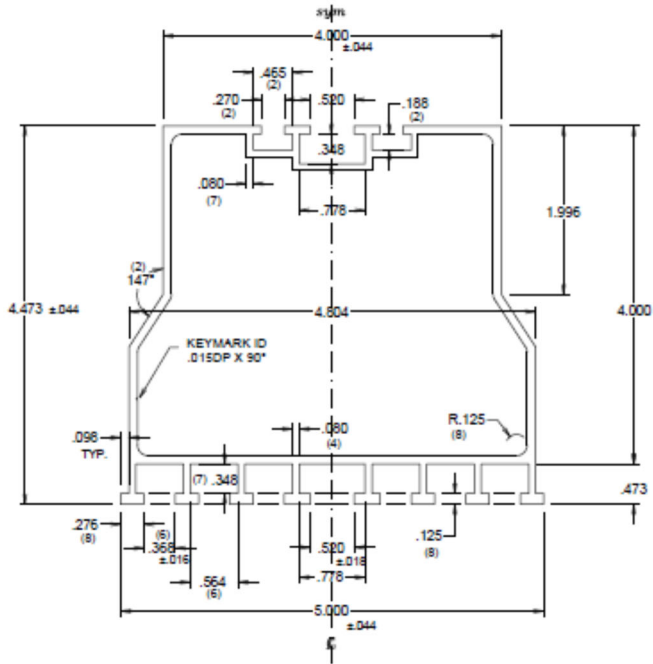
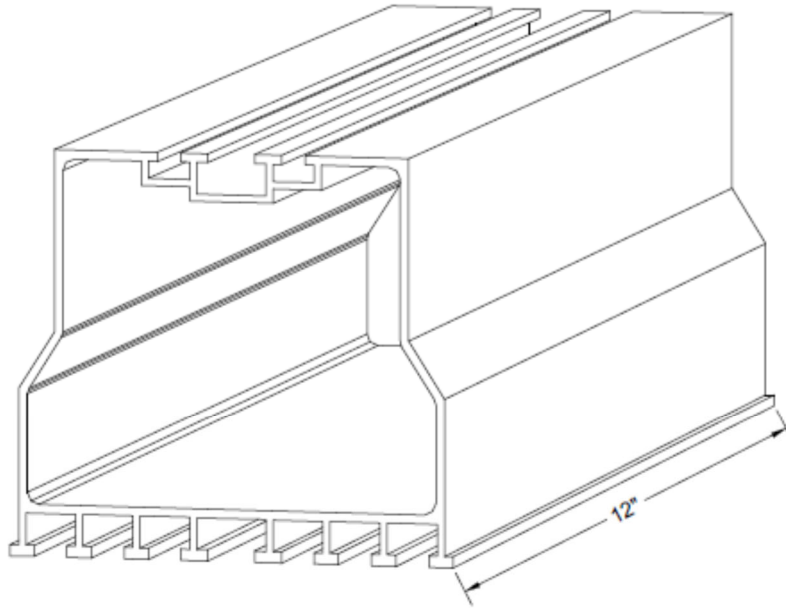


DETAIL A



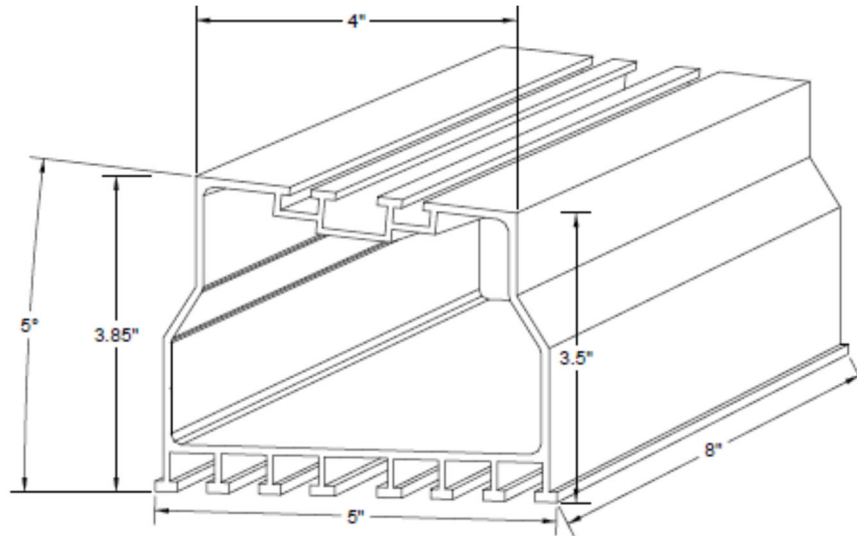
SOLAR STACK PV MOUNT – 8” SOLAR STACK



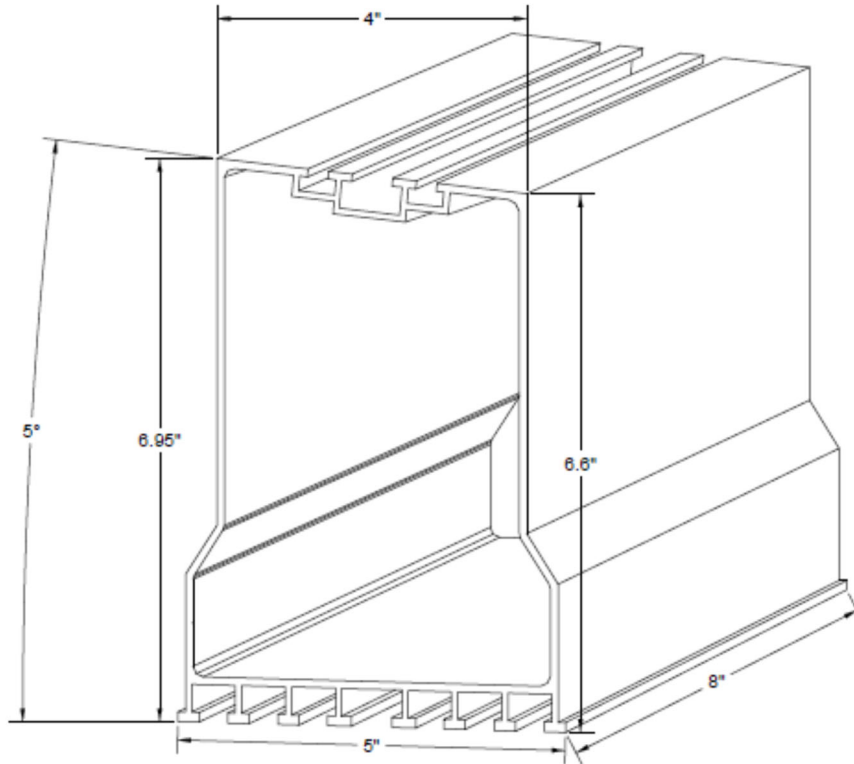


SOLAR STACK PV MOUNT – 12” SOLAR STACK





LOW SOLAR STACK PV MOUNT – 8” SOLAR STACK – 5 DEGREE



HIGH SOLAR STACK PV MOUNT – 8” SOLAR STACK – 5 DEGREE

END OF THIS ACCEPTANCE

