



DEPARTMENT OF REGULATORY AND ECONOMIC RESOURCES (RER)  
BOARD AND CODE ADMINISTRATION DIVISION

MIAMI-DADE COUNTY  
PRODUCT CONTROL SECTION

11805 SW 26 Street, Room 208  
Miami, Florida 33175-2474

T (786) 315-2590 F (786) 315-2599

[www.miamidade.gov/economy](http://www.miamidade.gov/economy)

## NOTICE OF ACCEPTANCE (NOA)

**CertainTeed LLC**  
**20 Moores Road**  
**Malvern, PA 19355**

### SCOPE:

This NOA is being issued under the applicable rules and regulations governing the use of construction materials. The documentation submitted has been reviewed and accepted by Miami-Dade County RER - Product Control Section to be used in Miami-Dade County and other areas where allowed by the Authority Having Jurisdiction (AHJ).

This NOA shall not be valid after the expiration date stated below. The Miami-Dade County Product Control Section (in Miami-Dade County) and/or the AHJ (in areas other than Miami-Dade County) reserve the right to have this product or material tested for quality assurance purposes. If this product or material fails to perform in the accepted manner, the manufacturer will incur the expense of such testing and the AHJ may immediately revoke, modify, or suspend the use of such product or material within their jurisdiction. RER reserves the right to revoke this acceptance, if it is determined by Miami-Dade County Product Control Section that this product or material fails to meet the requirements of the applicable building code.

This product is approved as described herein, and has been designed to comply with the Florida Building Code including the High Velocity Hurricane Zone of the Florida Building Code.

### DESCRIPTION: Ridge Vent 12" Filtered and 9" Filtered

**LABELING:** Each unit shall bear a permanent label with the manufacturer's name or logo, city, state and following statement: "Miami-Dade County Product Control Approved", unless otherwise noted herein.

**RENEWAL** of this NOA shall be considered after a renewal application has been filed and there has been no change in the applicable building code negatively affecting the performance of this product.

**TERMINATION** of this NOA will occur after the expiration date or if there has been a revision or change in the materials, use, and/or manufacture of the product or process. Misuse of this NOA as an endorsement of any product, for sales, advertising or any other purposes shall automatically terminate this NOA. Failure to comply with any section of this NOA shall be cause for termination and removal of NOA.

**ADVERTISEMENT:** The NOA number preceded by the words Miami-Dade County, Florida, and followed by the expiration date may be displayed in advertising literature. If any portion of the NOA is displayed, then it shall be done in its entirety.

**INSPECTION:** A copy of this entire NOA shall be provided to the user by the manufacturer or its distributors and shall be available for inspection at the job site at the request of the Building Official.

This NOA renews NOA# 20-0723.37 and consists of pages 1 through 4.  
The submitted documentation was reviewed by Alex Tigera.



NOA No.: 22-0310.03

Expiration Date: 06/14/27

Approval Date: 06/23/22

Page 1 of 4

## ROOFING COMPONENT APPROVAL

**Category:** Roofing  
**Sub-Category:** Ventilation  
**Materials:** Plastic  
**Maximum Design Pressure:** N/A  
**Fire Classification:** N/A

### TRADE NAMES OF PRODUCTS MANUFACTURED OR LABELED BY APPLICANT:

<u>Product</u>	<u>Dimensions</u>	<u>Test Specification</u>	<u>Product Description</u>
CertainTeed Ridge Vent 12" Filtered	See detail drawing herein	TAS 100	High density polypropylene low profile attic ridge vent for installation in shingle roof systems.
CertainTeed Ridge Vent 9" Filtered	See detail drawing herein	TAS 100	High density polypropylene low profile attic ridge vent for installation in shingle roof systems

### MANUFACTURING LOCATION

1. Orrick, MO

### EVIDENCE SUBMITTED:

<u>Test Agency/Identifier</u>	<u>Name</u>	<u>Report</u>	<u>Date</u>
Architectural Testing, Inc.	TAS 100A(95)	6457.01-109-18	08/08/06
	TAS 100A(95)	65453.01-109-18	08/08/06
PRI Construction Materials Technologies	ASTM G 155	122T003	05/26/22
	ASTM G 1929	122T003	05/26/22
	ASTM D 635	122T003	05/26/22
	ASTM D 2843	122T003	05/26/22



NOA No.: 22-0310.03  
Expiration Date: 06/14/27  
Approval Date: 06/23/22  
Page 2 of 4

## APPROVED APPLICATIONS:

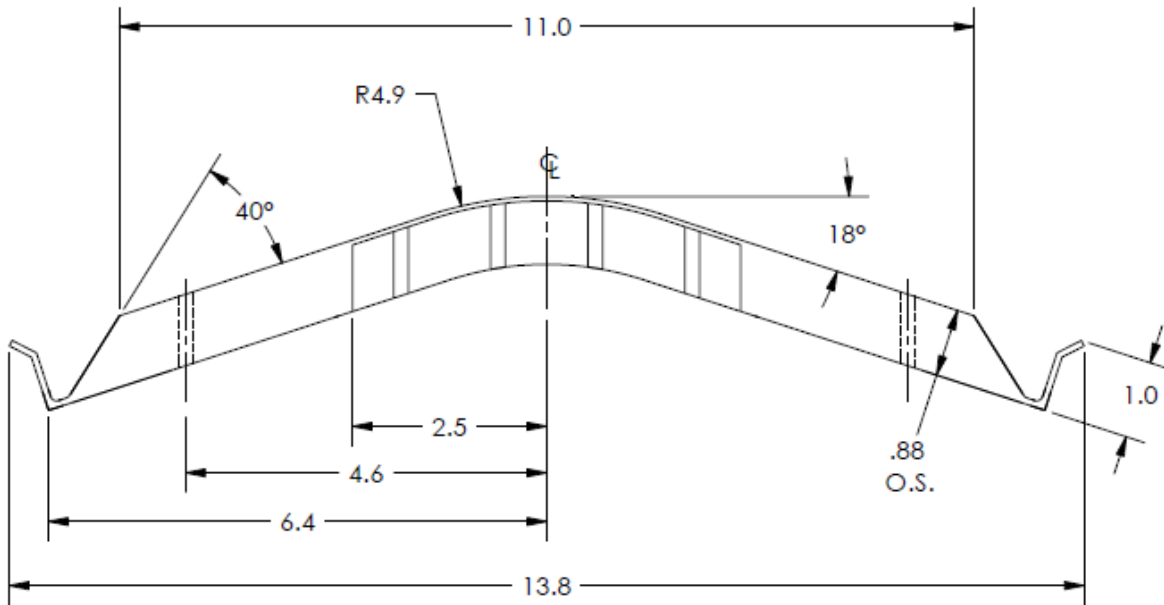
- Tradename:** CertainTeed Ridge Vent 12" Filtered, and  
CertainTeed Ridge Vent 9" Filtered
- System Type:** Mechanical attachment of static vent over asphalt shingle roof systems only.
- Slot:** Cut a minimum 1½" slot along the apex of the roof by cutting ¾" on each side of the ridge. The slot shall terminate approximately 6" from the rake edge.
- Installation:** Place ridge vent section centered over the void at one end of the ridge. Plugged end should be flush with end wall of ventilated space under roof. Pre-fasten first section using roofing nails through pre-drilled nail bosses. Continue to pre-fasten remaining sections, making sure support walls are flat on roof and filter is secure between shingles and vent. Cut final section to length.
- Ridge Shingle:** Nail cap shingles in place using roofing nails long enough to penetrate through the roof sheathing a minimum of <sup>3</sup>/<sub>16</sub> of an inch. Use nail lines provided on vent.
- Net Free Area:** Refer to manufacturers published literature.
- Minimum Slope:** 2:12

## LIMITATIONS:

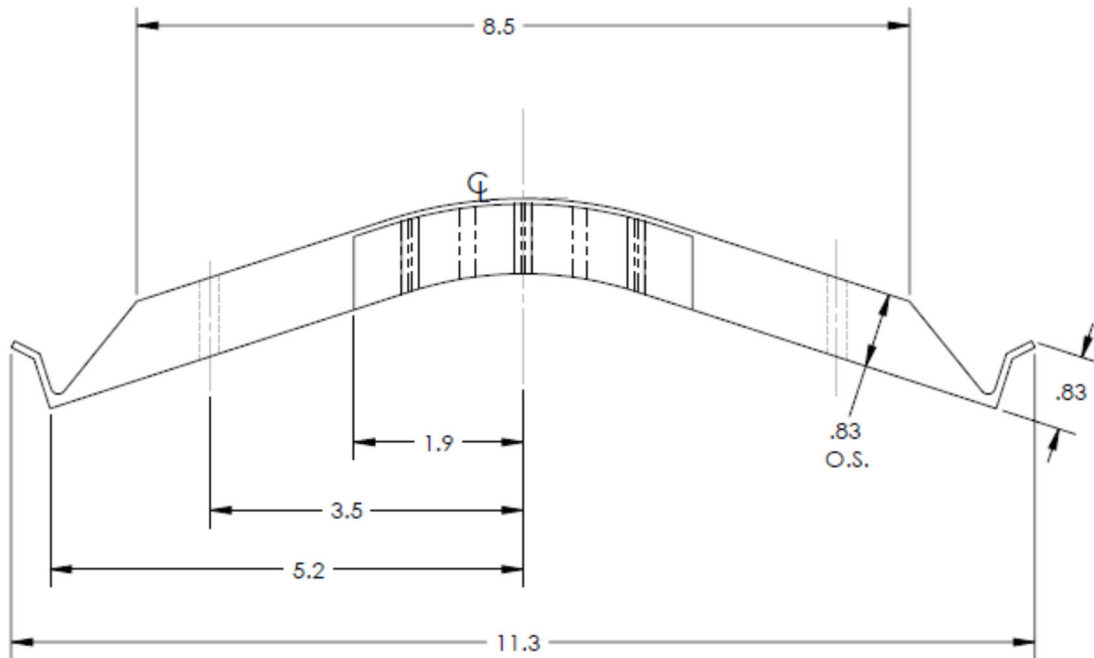
1. Refer to applicable Building Codes for required ventilation.
2. This acceptance is for installations over asphalt shingle roof systems only.
3. CertainTeed Ridge LLC Vent 12" Filtered, and CertainTeed LLC Ridge Vent 9" Filtered Ridge Vents shall not be installed on roof mean heights greater than 33 feet.
4. All products listed herein shall have a quality assurance audit in accordance with the Florida Building Code and Rule 61G20-3 of the Florida Administrative Code.
5. All approved products listed herein shall be labeled and shall bear the imprint or identifiable marking of the manufacturer's name or logo and following statement: "Miami-Dade County Product Control Approved" or the Miami-Dade County Product Control Seal as shown below.



**DETAIL DRAWINGS**



**CERTAINTEED RIDGE VENT - 12" FILTERED**



**CERTAINTEED RIDGE VENT - 9" FILTERED**

**END OF THIS ACCEPTANCE**

