



DEPARTMENT OF REGULATORY AND ECONOMIC RESOURCES (RER)
BOARD AND CODE ADMINISTRATION DIVISION

MIAMI-DADE COUNTY
PRODUCT CONTROL SECTION
11805 SW 26 Street, Room 208
Miami, Florida 33175-2474
T (786) 315-2590 F (786) 315-2599
www.miamidade.gov/economy

NOTICE OF ACCEPTANCE (NOA)

Brava Roof Tile
915 E. Tyler Street
Washington, IA 52353

SCOPE:

This NOA is being issued under the applicable rules and regulations governing the use of construction materials. The documentation submitted has been reviewed and accepted by Miami-Dade County RER - Product Control Section to be used in Miami Dade County and other areas where allowed by the Authority Having Jurisdiction (AHJ).

This NOA shall not be valid after the expiration date stated below. The Miami-Dade County Product Control Section (In Miami Dade County) and/or the AHJ (in areas other than Miami Dade County) reserve the right to have this product or material tested for quality assurance purposes. If this product or material fails to perform in the accepted manner, the manufacturer will incur the expense of such testing and the AHJ may immediately revoke, modify, or suspend the use of such product or material within their jurisdiction. RER reserves the right to revoke this acceptance, if it is determined by Miami-Dade County Product Control Section that this product or material fails to meet the requirements of the applicable building code.

This product is approved as described herein, and has been designed to comply with the Florida Building Code including the High Velocity Hurricane Zone of the Florida Building Code.

DESCRIPTION: Brava Cedar Shake – Length 22”

LABELING: Each unit shall bear a permanent label with the manufacturer's name or logo, city, state and following statement: "Miami-Dade County Product Control Approved", unless otherwise noted herein.

RENEWAL of this NOA shall be considered after a renewal application has been filed and there has been no change in the applicable building code negatively affecting the performance of this product.

TERMINATION of this NOA will occur after the expiration date or if there has been a revision or change in the materials, use, and/or manufacture of the product or process. Misuse of this NOA as an endorsement of any product, for sales, advertising or any other purposes shall automatically terminate this NOA. Failure to comply with any section of this NOA shall be cause for termination and removal of NOA.

ADVERTISEMENT: The NOA number preceded by the words Miami-Dade County, Florida, and followed by the expiration date may be displayed in advertising literature. If any portion of the NOA is displayed, then it shall be done in its entirety.

INSPECTION: A copy of this entire NOA shall be provided to the user by the manufacturer or its distributors and shall be available for inspection at the job site at the request of the Building Official.

This NOA consists of pages 1 through 7.
The submitted documentation was reviewed by Alex Tigera.



NOA No.: 22-0406.02
Expiration Date: 10/19/28
Approval Date: 10/19/23
Page 1 of 7

ROOFING ASSEMBLY APPROVAL

Category: Roofing
Sub-Category: Roofing Shake
Materials: Composite
Deck Type: Wood
Maximum Design Pressure –123.5 psf.
Fire Classification Pressure See General Limitation #1

TRADE NAMES OF PRODUCTS MANUFACTURED OR LABELED BY APPLICANT:

| <u>Product</u> | <u>Dimensions</u> | <u>Test Specifications</u> | <u>Product Description</u> |
|--------------------------------|--|----------------------------|---|
| Brava Cedar Shake – Length 22” | Length: 22” Width: 12”, 7”, and 5” Thickness: 0.96” tapered to 0.22” 10” Exposure | TAS 125 | Composite shingle for use in mechanically attached systems with a 10” exposure. |
| Eave Starter | Length: 12” Width: 12” Thickness: 0.57” tapered to 0.135” | TAS 110 | Composite shingle for use as a starter course with the Brava Shake Class C. |

MANUFACTURING LOCATION:

1. Washington, IA.

EVIDENCE SUBMITTED:

| <u>Test Agency</u> | <u>Test Identifier</u> | <u>Test Name/Report</u> | <u>Date</u> |
|---|------------------------|-------------------------|-------------|
| ETC Laboratories | ETC-07-718-20130.0 | ASTM D 2843 | 10/10/07 |
| | ETC-07-718-20130.0 | ASTM D 1929 | 10/10/07 |
| | ETC-07-718-20130.0 | ASTM D 635 | 10/10/07 |
| PRI Construction Materials Technologies | TMIC-006-02-02 | ASTM G 155 | 06/18/08 |
| | TMIC-009-02-01 | TAS 100 | 10/12/07 |
| Southwest Research Institute | 01.13537.01.301c | ASTM E 108 | 01/18/08 |
| Intertek | I9576.01 | TAS 125 | 08/18/21 |
| | J4657.02-106-18 RO | Physical Properties | 12/02/19 |



APPROVED ASSEMBLIES:

| | |
|---------------------------------|---|
| System: | Brava Cedar Shake – Length 22” |
| Deck Type: | Wood, Non-Insulated |
| Deck Description: | ¹⁵ / ₃₂ ” or greater plywood or wood plank. |
| Slope Range: | 2”: 12” or greater |
| Maximum Uplift Pressure: | See Maximum Design Pressures Below |

| | |
|--|---|
| Deck Attachment: | In accordance with applicable building code, but in no case shall it be less than # 8d annular ring shank nails spaced 6” o.c. In reroofing, the above attachment method must be in addition to existing attachment. |
| Underlayment: | Minimum underlayment shall be an ASTM D 226 Type II installed with a minimum 4” side-lap and 6” end-laps. Underlayment shall be fastened with corrosion resistant tin-caps and 12 gauge 1 ¼” annular ring-shank nails, spaced 6” o.c. at all laps and two staggered rows 12” o.c. in the field of the roll. Or, any approved underlayment having a current NOA. |
| Fire Barrier: | Any approved fire barrier having a current NOA. Refer to a current fire directory listing for fire ratings of this roofing system assembly as well as the location of the fire barrier within the assembly. See Limitation # 1. |
| Valleys: | Valley construction shall be in compliance with Roofing Application Standard RAS 118 and with Brava Roof Tile’s current published installation instructions. |
| Hips and Ridges: | See Brava Roof Tile’s current published installation instructions. |
| Eave Starter: | Install starter over urethane caulk flush with the drip edge. Mechanically fasten starters with (2) two 1/8” diameter stainless steel ring shank roofing nails or (2) two #10 corrosion resistant flat head screws of sufficient length to penetrate through the sheathing a minimum 3/16” of an inch, through the designated fastener locators. |
| Shake Installation: | Install the "Brava Cedar Shake – Length 22” ” and accessories in compliance with the current published installation instructions and details in Brava Roof Tile’s Installation Manual. Flashings, penetrations, valley construction and other details shall be constructed in compliance with Roofing Application Standard RAS 133. |
| Field Area Installation: | Each shake (5”, 7” or 12”) is installed with (2) two #10 corrosion resistant flat head screws of sufficient length to penetrate through the sheathing a minimum 3/16” of an inch, through the designated fastener locators. (See Detail A) The adjoining shake is laid next to the existing shake with a 3/8” gap. The next row is laid with an 10” exposure. (See Detail B) . |
| Maximum Design Pressure (Field Area): | -104.75 psf (See General Limitation #2) |



Perimeter and Corner Area Installation:

Each 5" shake is installed with (2) two #10 corrosion resistant flat head screws of sufficient length to penetrate through the sheathing a minimum 3/16" of an inch, through the designated fastener locators.

Each 7" or 12" shake is installed with (4) four #10 corrosion resistant flat head screws of sufficient length to penetrate through the sheathing a minimum 3/16" of an inch, through the designated fastener locators.

The adjoining shake is laid next to the existing shake with a 3/8" gap. The next row is laid with an 10" exposure.

Maximum Design Pressure (Perimeter and Corner Area):

-123.5 psf (See General Limitation #2)



GENERAL LIMITATIONS:

1. Fire classification is not part of this acceptance; refer to a current Approved Roofing Materials Directory for fire ratings of this product.
2. The maximum designed pressure limitation listed shall be applicable to all roof pressure zones (i.e. field, perimeters, and corners). Neither rational analysis, nor extrapolation shall be permitted for enhanced fastening at enhanced pressure zones (i.e. perimeters, extended corners and corners).
3. Each shake shall be permanently labeled with the manufacturer's name and/or logo, and the following statement: "Miami-Dade County Product Control Approved" **or** with the Miami-Dade County Product Control Seal as seen below.

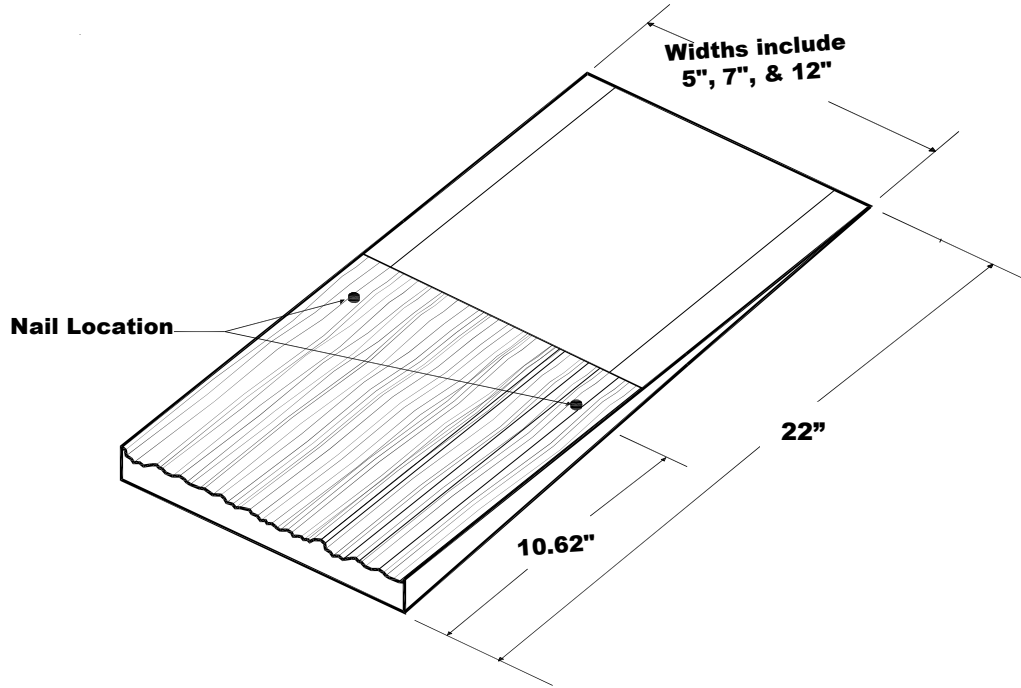


4. All products listed herein shall have a quality assurance audit in accordance with the Florida Building Code and Rule 61G20-3 of the Florida Administrative Code.

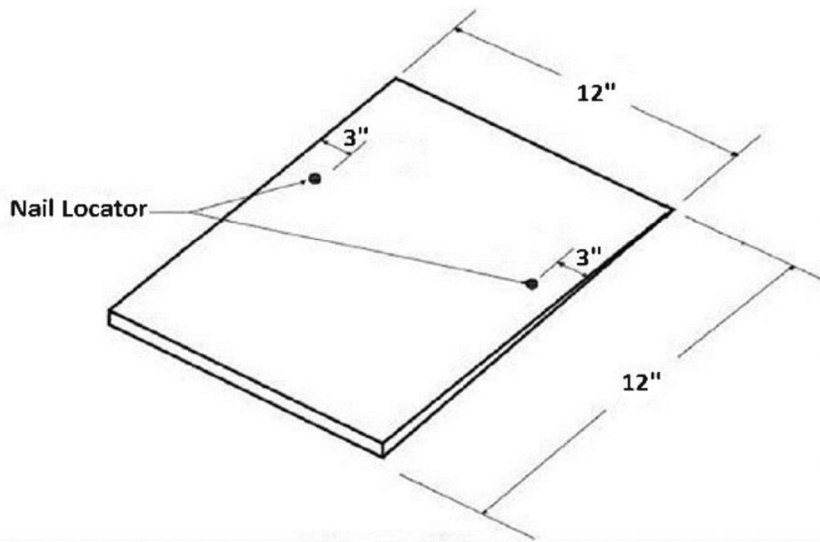


PROFILE DRAWINGS

DETAIL A



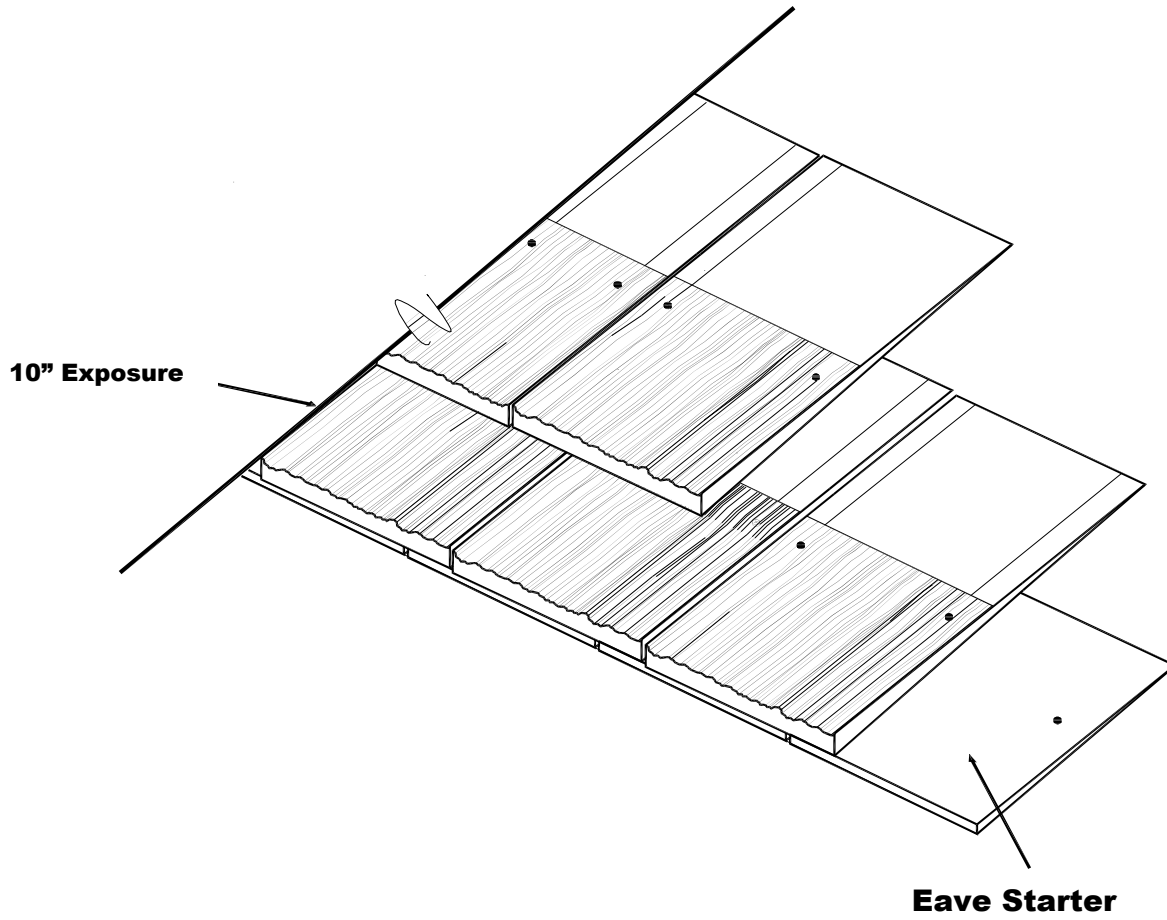
BRAVA CEDAR SHAKE – LENGTH 22"



EAVE STARTER



DETAIL B



END OF THIS ACCEPTANCE