



DEPARTMENT OF REGULATORY AND ECONOMIC RESOURCES (RER)  
BOARD AND CODE ADMINISTRATION DIVISION

MIAMI-DADE COUNTY  
PRODUCT CONTROL SECTION  
11805 SW 26 Street, Room 208  
Miami, Florida 33175-2474  
T (786) 315-2590 F (786) 315-2599  
[www.miamidade.gov/economy](http://www.miamidade.gov/economy)

## NOTICE OF ACCEPTANCE (NOA)

**Ludowici Roof Tile, Inc.**  
4757 Tile Plant Road  
New Lexington, OH 43764

### SCOPE:

This NOA is being issued under the applicable rules and regulations governing the use of construction materials. The documentation submitted has been reviewed and accepted by Miami-Dade County RER - Product Control Section to be used in Miami Dade County and other areas where allowed by the Authority Having Jurisdiction (AHJ).

This NOA shall not be valid after the expiration date stated below. The Miami-Dade County Product Control Section (In Miami Dade County) and/or the AHJ (in areas other than Miami Dade County) reserve the right to have this product or material tested for quality assurance purposes. If this product or material fails to perform in the accepted manner, the manufacturer will incur the expense of such testing and the AHJ may immediately revoke, modify, or suspend the use of such product or material within their jurisdiction. RER reserves the right to revoke this acceptance, if it is determined by Miami-Dade County Product Control Section that this product or material fails to meet the requirements of the applicable building code.

This product is approved as described herein, and has been designed to comply with the Florida Building Code including the High Velocity Hurricane Zone of the Florida Building Code.

### DESCRIPTION: "Straight, Palm Beach Tapered, Cubana and Tapered Mission" Clay Roof Tile

**LABELING:** Each unit shall bear a permanent label with the manufacturer's name or logo, city, state and following statement: "Miami-Dade County Product Control Approved", unless otherwise noted herein.

**RENEWAL** of this NOA shall be considered after a renewal application has been filed and there has been no change in the applicable building code negatively affecting the performance of this product.

**TERMINATION** of this NOA will occur after the expiration date or if there has been a revision or change in the materials, use, and/or manufacture of the product or process. Misuse of this NOA as an endorsement of any product, for sales, advertising or any other purposes shall automatically terminate this NOA. Failure to comply with any section of this NOA shall be cause for termination and removal of NOA.

**ADVERTISEMENT:** The NOA number preceded by the words Miami-Dade County, Florida, and followed by the expiration date may be displayed in advertising literature. If any portion of the NOA is displayed, then it shall be done in its entirety.

**INSPECTION:** A copy of this entire NOA shall be provided to the user by the manufacturer or its distributors and shall be available for inspection at the job site at the request of the Building Official.

This NOA renews NOA# 17-0719.07 and consists of pages 1 through 6.  
The submitted documentation was reviewed by Alex Tigera.



NOA No.: 23-0125.08  
Expiration Date: 01/31/28  
Approval Date: 02/16/23  
Page 1 of 6

## ROOFING ASSEMBLY APPROVAL

**Category:** Roofing  
**Sub-Category:** Roofing Tiles  
**Material:** Clay

### 1. SCOPE

This approves a roofing system using Ludowici “**Straight, Palm Beach Tapered, Cubana, and Tapered Mission**” Clay Roof Tile, as manufactured Ludowici Roof Tile, Inc. and described in Section 2 of this Notice of Acceptance. For locations where the pressure requirements, as determined by applicable Building Code does not exceed the design pressure values obtained by calculations in compliance with RAS 127 using the values listed in section 4 herein. The attachment calculations shall be done as a moment based system.

### 2. PRODUCT DESCRIPTION

<u>Manufactured by Applicant</u>	<u>Dimensions</u>	<u>Test Specifications</u>	<u>Product Description</u>
Ludowici Straight Barrel Mission, Palm Beach Tapered, Cubana Mission Roof and Tapered Mission Tile		ASTM C 1167	High profile, two-piece, vitrified clay roof tile equipped with one nail hole. For direct deck, nail-on applications.
Trim Pieces	l = varies w = varies varying thickness	ASTM C 1167	Accessory trim, clay roof pieces for use at hips, rakes, ridges and valley terminations. Manufactured for each tile profile.

#### 2.1 PRODUCT DESCRIPTION

1. New Lexington, OH.

#### 2.2 SUBMITTED EVIDENCE:

<u>Test Agency</u>	<u>Test Identifier</u>	<u>Test Name/Report</u>	<u>Date</u>
IBA Consultants, Inc. The Center for Applied Engineering, Inc.	2376-283	ASTM C 1167	Sept. 2007
	94-083	Static Uplift Testing	April 1994
	94-084	PA 101 (Adhesive Set) (Mortar Set)	May 1994
Redland Technologies	P0647-01	Wind Tunnel Testing PA 108 (Mortar Set)	Aug. 1994
Celotex Corporation Testing Services	520111-3	Static Uplift Testing	Dec. 1998
	520191-2-1	PA 101	March 1999
Walker Engineering, Inc. Walker Engineering, Inc.	Calculations	Aerodynamic Multiplier	March 1999
	Calculations	25-7094	February 1996
Walker Engineering, Inc.	Calculations	25-7496	April 1996
		25-7584	December 1996
		25-7804b-8	
		25-7804-4 & 5	
Walker Engineering, Inc.	Calculations	25-7848-6	March 1995
		25-7183	



NOA No.: 23-0125.08  
 Expiration Date: 01/31/28  
 Approval Date: 02/16/23  
 Page 2 of 6

**2.2 SUBMITTED EVIDENCE:**

<u>Test Agency</u>	<u>Test Identifier</u>	<u>Test Name/Report</u>	<u>Date</u>
Walker Engineering, Inc.	Calculations	Two Patty Adhesive Set System	April 1999
Farabaugh Engineering and Testing Inc.	T225-22	ASTM C 1167	07/21/22

**3. LIMITATIONS**

- 3.1 Fire classification is not part of this acceptance.
- 3.2 For mortar or adhesive set tile applications, a static field uplift test shall be performed in accordance with TAS 106.
- 3.3 Applicant shall retain the services of a Miami-Dade County Certified Laboratory to perform quarterly test in accordance with TAS 112, appendix ‘A’. Such testing shall be submitted to the Building Code Compliance Office for review.
- 3.4 Minimum underlayment shall be in compliance with the applicable Roofing Applications Standards listed section 4.1 herein.
- 3.5 30/90 hot mopped underlayment applications may be installed perpendicular to the roof slope unless stated otherwise by the underlayment material manufacturers published literature.
- 3.6 This acceptance is for wood deck applications. Minimum deck requirements shall be in compliance with applicable building code.
- 3.7 All products listed herein shall have a quality assurance audit in accordance with the Florida Building Code and Rule 61G20-3 of the Florida Administration Code.

**4. INSTALLATION**

- 4.1 Ludowici “Straight, Palm Beach Tapered, Cubana, and Tapered Mission” Clay Roof Tile and its components shall be installed in strict compliance with Roofing Application Standard RAS 120.
- 4.2 Data For Attachment Calculations

<b>Table 1: Average Weight (W) and Dimensions (l x w )</b>			
<b>Tile Profile</b>	<b>Weight-W (lbf)</b>	<b>Length-l (ft)</b>	<b>Width-w (ft)</b>
Straight Barrel Mission Tile	7.15	1.53	0.67
Straight Barrel Mission Tile	6.20	1.33	0.67
Straight Barrel Mission Tile	5.56	1.19	0.67
Palm Beach Tapered Mission Barrel Tile	6.13	1.53	0.67
Cubana Mission Barrel Tile	7.44	1.5	0.67
Tapered Mission Barrel Tile	5.90	1.33	0.53

<b>Table 2: Aerodynamic Multipliers - <math>\lambda</math> (ft<sup>3</sup>)</b>	
<b>Tile Profile</b>	<b><math>\lambda</math> (ft<sup>3</sup>) Direct Deck Application</b>
Straight Barrel, Palm Beach Tapered, Cubana, and Tapered Mission Barrel Tile	0.247

<b>Table 3: Restoring Moments due to Gravity - M<sub>g</sub> (ft-lbf)</b>



Tile Profile	3":12"	4":12"	5":12"	6":12"	7":12" or greater
Straight Barrel, Palm Beach Tapered, Cubana, and Tapered Mission Barrel Tile	4.46	4.37	4.28	4.17	N/A

**Table 7: Attachment Resistance Expressed as a Moment -  $M_r$  (ft-lbf) for Single Patty Adhesive Set Systems**

Tile Profile	Tile Application	Minimum Attachment Resistance
Straight Barrel, Palm Beach Tapered, Cubana, and Tapered Mission Barrel Tile	ICP Adhesives Polyset® AH-160	177 (Clay tile) <sup>1</sup>
	TILE BOND™ Roof Tile Adhesive	115 (Clay tile) <sup>2</sup>
1 Place 23 grams per pan and 23 grams per cap of Polyset® AH-160.		
2 Place 11.8 grams per pan and 11.6 grams per cap of TILE BOND™ Roof Tile Adhesive		

**Table 8: Attachment Resistance Expressed as a Moment -  $M_r$  (ft-lbf) for Mortar Set Systems**

Tile Profile	Tile Application	Attachment Resistance
Straight Barrel, Palm Beach Tapered, Cubana, and Tapered Mission Barrel Tile	Mortar Set	24.5

## 5. LABELING

All tiles shall bear the imprint or identifiable marking of the manufacturer's name or logo (See Detail Below), or following statement: "Miami-Dade County Product Control Approved".

# LUDOWICI ASTM C1167 GRADE

IDENTIFICATION MARK FOR "STRAIGHT, PALM BEACH TAPERED, CUBANA AND TAPERED MISSION"  
CLAY ROOF TILE  
(LOCATED ON UNDERSIDE OF TILE)

## 6. BUILDING PERMIT REQUIREMENTS

6.1 Application for building permit shall be accompanied by copies of the following:

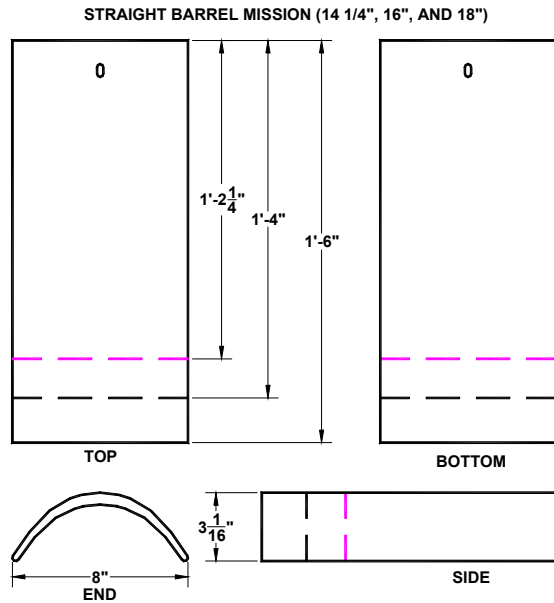
6.1.1 This Notice of Acceptance.

6.1.2 Any other documents required by the Building Official or applicable building code in order to properly evaluate the installation of this system.

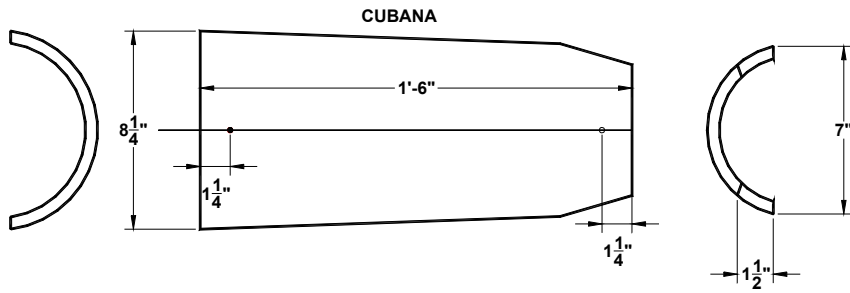


NOA No.: 23-0125.08  
Expiration Date: 01/31/28  
Approval Date: 02/16/23  
Page 4 of 6

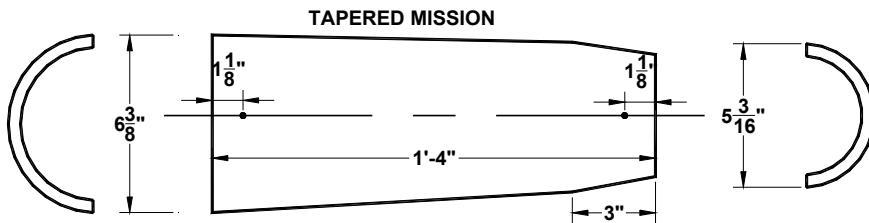
# PROFILE DRAWINGS



## LUDOWICI STRAIGHT MISSION BARREL CLAY ROOF TILE



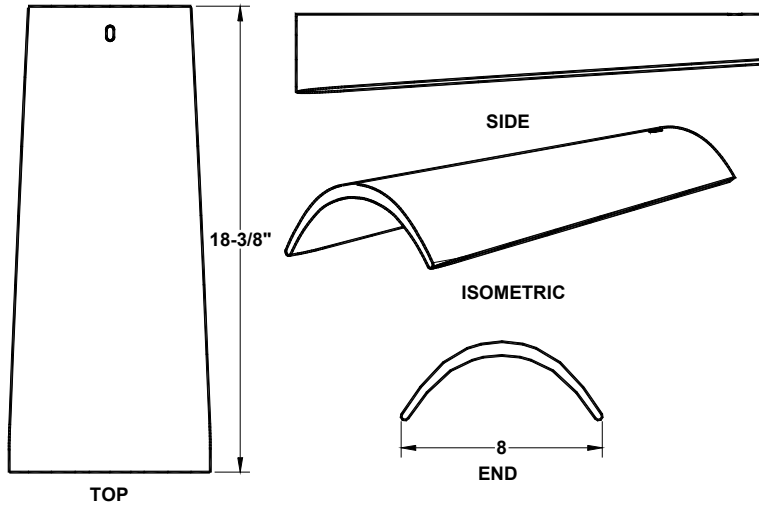
## LUDOWICI CUBANA CLAY ROOF TILE



## LUDOWICI TAPERED MISSION CLAY ROOF TILE



**PALM BEACH COVERS**



**LUDOWICI PALM BEACH TAPERED MISSION CLAY ROOF TILE**

**END OF THIS ACCEPTANCE**



**NOA No.: 23-0125.08**  
**Expiration Date: 01/31/28**  
**Approval Date: 02/16/23**  
**Page 6 of 6**