



DEPARTMENT OF REGULATORY AND ECONOMIC RESOURCES (RER)  
BOARD AND CODE ADMINISTRATION DIVISION

MIAMI-DADE COUNTY  
PRODUCT CONTROL SECTION  
11805 SW 26 Street, Room 208  
Miami, Florida 33175-2474  
T (786) 315-2590 F (786) 315-2599  
[www.miamidade.gov/economy](http://www.miamidade.gov/economy)

## NOTICE OF ACCEPTANCE (NOA)

**Ludowici Roof Tile, Inc.**  
4757 Tile Plant Road  
New Lexington, OH 43764

### SCOPE:

This NOA is being issued under the applicable rules and regulations governing the use of construction materials. The documentation submitted has been reviewed and accepted by Miami-Dade County RER - Product Control Section to be used in Miami Dade County and other areas where allowed by the Authority Having Jurisdiction (AHJ).

This NOA shall not be valid after the expiration date stated below. The Miami-Dade County Product Control Section (In Miami Dade County) and/or the AHJ (in areas other than Miami Dade County) reserve the right to have this product or material tested for quality assurance purposes. If this product or material fails to perform in the accepted manner, the manufacturer will incur the expense of such testing and the AHJ may immediately revoke, modify, or suspend the use of such product or material within their jurisdiction. RER reserves the right to revoke this acceptance, if it is determined by Miami-Dade County Product Control Section that this product or material fails to meet the requirements of the applicable building code.

This product is approved as described herein, and has been designed to comply with the Florida Building Code including the High Velocity Hurricane Zone of the Florida Building Code.

**DESCRIPTION:** Ludo Slate, Ludo Shake, Americana XL, Classic XL, Williamsburg XL, Lanai XL, and Imperial' Clay Roof Tile

**LABELING:** Each unit shall bear a permanent label with the manufacturer's name or logo, city, state and following statement: "Miami-Dade County Product Control Approved", unless otherwise noted herein.

**RENEWAL** of this NOA shall be considered after a renewal application has been filed and there has been no change in the applicable building code negatively affecting the performance of this product.

**TERMINATION** of this NOA will occur after the expiration date or if there has been a revision or change in the materials, use, and/or manufacture of the product or process. Misuse of this NOA as an endorsement of any product, for sales, advertising or any other purposes shall automatically terminate this NOA. Failure to comply with any section of this NOA shall be cause for termination and removal of NOA.

**ADVERTISEMENT:** The NOA number preceded by the words Miami-Dade County, Florida, and followed by the expiration date may be displayed in advertising literature. If any portion of the NOA is displayed, then it shall be done in its entirety.

**INSPECTION:** A copy of this entire NOA shall be provided to the user by the manufacturer or its distributors and shall be available for inspection at the job site at the request of the Building Official.

This NOA renews NOA# 19-1021.25 and consists of pages 1 through 8.  
The submitted documentation was reviewed by Alex Tigera.



NOA No.: 23-0125.11  
Expiration Date: 01/31/28  
Approval Date: 02/16/23  
Page 1 of 9

## ROOFING ASSEMBLY APPROVAL

**Category:** Roofing  
**Sub-Category:** Roofing Tiles  
**Material:** Clay

### 1. SCOPE

This approves a roofing system using Ludowici ‘**Ludo Slate, Ludo Shake, Americana XL, Classic XL, Williamsburg XL, Lanai XL, and Imperial**’ Clay Roof Tile, as manufactured Ludowici Roof Tile, Inc. and described in Section 2 of this Notice of Acceptance. For locations where the pressure requirements, as determined by applicable Building Code does not exceed the design pressure values obtained by calculations in compliance with RAS 127 using the values listed in section 4 herein. The attachment calculations shall be done as a moment based system.

### 2. PRODUCT DESCRIPTION

<u>Manufactured by Applicant</u>	<u>Dimensions</u>	<u>Test Specifications</u>	<u>Product Description</u>
Ludo Slate, Ludo Shake Americana XL, Classic XL, Williamsburg XL, Lanai XL, and Imperial Roof Tile	See drawings herein	ASTM C 1167	Flat, interlocking, vitrified clay roof tile equipped with one nail hole. For direct deck or battened, nail-on (4/12 min), mortar set or adhesive set applications.
Trim Pieces	l = varies w = varies varying thickness	ASTM C 1167	Accessory trim, clay roof pieces for use at hips, rakes, ridges and valley terminations. Manufactured for each tile profile.

#### 2.1 PRODUCT DESCRIPTION

1. New Lexington, OH.

#### 2.2 SUBMITTED EVIDENCE:

<u>Test Agency</u>	<u>Test Identifier</u>	<u>Test Name/Report</u>	<u>Date</u>
Farabaugh Engineering & Testing IBA Consultants, Inc. Redland Technologies	T249-12	ASTM C 1167	07/30/12
	2376-284	ASTM C 1167	Sept 2007
	7161-03 Appendix III	Static Uplift Testing PA 102 & PA 102(A)	Dec. 1991
The Center for Applied Engineering, Inc.	94-060B	Static Uplift Testing	March, 1994
	94-084	PA 101 (Adhesive Set) (Mortar Set)	May 1994
Redland Technologies	7161-03 Appendix II	Wind Tunnel Testing PA 108 (Nail-On)	Dec. 1991
Redland Technologies	Letter Dated Aug. 1, 1994	Wind Tunnel Testing PA 108 (Nail-On)	Aug. 1994
Redland Technologies	P0631-01	Wind Tunnel Testing PA 108 (Mortar Set)	July 1994
Redland Technologies	P0402	Withdrawal Resistance Testing of screw vs. smooth shank nails	Sept. 1993



NOA No.: 23-0125.11  
 Expiration Date: 01/31/28  
 Approval Date: 02/16/23  
 Page 2 of 9

**2.2 SUBMITTED EVIDENCE:**

<u>Test Agency</u>	<u>Test Identifier</u>	<u>Test Name/Report</u>	<u>Date</u>
The Center for Applied Engineering, Inc.	Project No. 307025	Wind Driven Rain	Oct. 1994
Walker Engineering, Inc.	Test #MDC-76	PA 100	
Walker Engineering, Inc.	Calculations	Aerodynamic Multiplier	March 1999
Walker Engineering, Inc.	Calculations	25-7094	February 1996
		25-7496	April 1996
Walker Engineering, Inc.	Calculations	25-7584	December 1996
		25-7804b-8	
		25-7804-4 & 5	
		25-7848-6	
Walker Engineering, Inc.	Calculations	25-7183	March 1995
Walker Engineering, Inc.	Calculations	Aerodynamic Multipliers	April 1999
Walker Engineering, Inc.	Calculations	Two Patty Adhesive Set System	April 1999
Farabaugh Engineering and Testing Inc.	T225-22	ASTM C 1167	07/21/22

**3. LIMITATIONS**

- 3.1 Fire classification is not part of this acceptance.
- 3.2 For mortar or adhesive set tile applications, a static field uplift test shall be performed in accordance with TAS 106.
- 3.3 Applicant shall retain the services of a Miami-Dade County Certified Laboratory to perform quarterly test in accordance with TAS 112, appendix ‘A’. Such testing shall be submitted to the Building Code Compliance Office for review.
- 3.4 Minimum underlayment shall be in compliance with the applicable Roofing Applications Standards listed section 4.1 herein.
- 3.5 30/90 hot mopped underlayment applications may be installed perpendicular to the roof slope unless stated otherwise by the underlayment material manufacturers published literature.
- 3.6 This acceptance is for wood deck applications. Minimum deck requirements shall be in compliance with applicable building code.
- 3.7 Mechanically attached tile 4/12 minimum slope.
- 3.8 All products listed herein shall have a quality assurance audit in accordance with the Florida Building Code and Rule 61G20-3 of the Florida Administrative Code.

**4. INSTALLATION**

- 4.1 Ludowici ‘Ludo Slate, Ludo Shake, Americana XL, Classic XL, Williamsburg XL, Lanai XL, and Imperial’ Clay Roof Tile and its components shall be installed in strict compliance with Roofing Application Standard RAS 118, RAS 119, and RAS 120.
- 4.2 Data For Attachment Calculations



<b>Table 1: Average Weight (W) and Dimensions (l x w)</b>			
<b>Tile Profile</b>	<b>Weight-W (lbf)</b>	<b>Length-l (ft)</b>	<b>Width-w (ft)</b>
Ludo Slate, Ludo Shake Roof Tile	5.95	1.35	0.911
Americana XL Roof Tile	6.01	1.33	0.896
Classic XL, Williamsburg XL and Lanai XL Roof Tile	6.65	1.33	0.896
Imperial Roof Tile	6.43	1.25	0.833

<b>Table 2: Aerodynamic Multipliers - <math>\lambda</math> (ft<sup>3</sup>)</b>		
<b>Tile Profile</b>	<b><math>\lambda</math> (ft<sup>3</sup>) Batten Application</b>	<b><math>\lambda</math> (ft<sup>3</sup>) Direct Deck Application</b>
Ludo Slate, Ludo Shake, Americana XL, Classic XL, Williamsburg XL, Lanai XL, and Imperial Roof Tile	0.219	0.237

<b>Table 3: Restoring Moments due to Gravity - <math>M_g</math> (ft-lbf)</b>										
<b>Tile Profile</b>	<b>3":12"</b>		<b>4":12"</b>		<b>5":12"</b>		<b>6":12"</b>		<b>7":12" or greater</b>	
	Battens	Direct Deck	Battens	Direct Deck	Battens	Direct Deck	Battens	Direct Deck	Battens	Direct Deck
Ludo Slate, Ludo Shake, Americana XL, Classic XL, Williamsburg XL, Lanai XL, and Imperial Roof Tile	N/A	3.38	3.30	3.77	3.23	3.69	3.15	3.60	3.06	3.50



**Table 4: Attachment Resistance Expressed as a Moment - M<sub>r</sub> (ft-lbf)  
for Nail-On Systems**

Tile Profile	Fastener Type	Direct Deck (min 15/32" plywood)	Direct Deck (min. 19/32" plywood)	Battens
Ludo Slate, Ludo Shake, Americana XL, Classic XL, Williamsburg XL, Lanai XL, and Imperial Roof Tile	2-10d Ring Shank Nails	30.9	38.1	17.2
	1-10d Smooth or Screw Shank Nail	7.3	9.8	4.9
	2-10d Smooth or Screw Shank Nails	14.0	18.8	7.4
	1 #8 Screw	30.8	30.8	18.2
	2 #8 Screw	51.7	51.7	24.4
	1-10d Smooth or Screw Shank Nail (Field Clip)	24.3	24.3	24.2
	1-10d Smooth or Screw Shank Nail (Eave Clip)	19.0	19.0	22.1
	2-10d Smooth or Screw Shank Nails (Field Clip)	35.5	35.5	34.8
	2-10d Smooth or Screw Shank Nails (Eave Clip)	31.9	31.9	32.2
	2-10d Ring Shank Nails <sup>1</sup>	50.3	65.5	48.3

<sup>1</sup> Installation with a 4" tile headlap and fasteners are located a min. of 2½" from head of tile.

**Table 6: Attachment Resistance Expressed as a Moment M<sub>r</sub> (ft-lbf)  
for Two Patty Adhesive Set Systems**

Tile Profile	Tile Application	Minimum Attachment Resistance
Ludo Slate, Ludo Shake, Americana XL, Classic XL, Williamsburg XL, Lanai XL, and Imperial Roof Tile	TILE BOND™ Roof Tile Adhesive	31.3 <sup>3</sup>
	ICP Adhesives Polyset® AH-160	31.3 <sup>4</sup>

<sup>2</sup> See manufactures component approval for installation requirements.

<sup>3</sup> Medium paddy weight of 13.9 grams per paddy of TILE BOND™ Roof Tile Adhesive.

<sup>4</sup> Medium paddy weight of 8 grams per paddy of Polyset® AH-160.

**Table 7: Attachment Resistance Expressed as a Moment - M<sub>r</sub> (ft-lbf)  
for Single Patty Adhesive Set Systems**

Tile Profile	Tile Application	Minimum Attachment Resistance
Ludo Slate, Ludo Shake, Americana XL, Classic XL, Williamsburg XL, Lanai XL, and Imperial Roof Tile	ICP Adhesives Polyset® AH-160	118.9 <sup>5</sup>
	ICP Adhesives Polyset® AH-160	40.4 <sup>6</sup>

<sup>5</sup> Large paddy weight of 45 grams of Polyset® AH-160

<sup>6</sup> Medium paddy weight of 24 grams of Polyset® AH-160



**Table 8: Attachment Resistance Expressed as a Moment -  $M_r$  (ft-lbf)  
for Mortar Set Systems**

Tile Profile	Tile Application	Attachment Resistance
Ludo Slate, Ludo Shake, Americana XL, Classic XL, Williamsburg XL, Lanai XL, and Imperial Roof Tile	Mortar Set	39.00

**5. LABELING**

All tiles shall bear the imprint or identifiable marking of the manufacturer's name or logo (See Detail Below), or following statement: "Miami-Dade County Product Control Approved".

# LUDOWICI ASTM C1167 GRADE

IDENTIFICATION MARK FOR LUDO SLATE, LUDO SHAKE, AMERICANA XL, CLASSIC XL,  
WILLIAMSBURG XL, LANAI XL, AND IMPERIAL' CLAY ROOF TILE  
(LOCATED ON UNDERSIDE OF TILE)

**6. BUILDING PERMIT REQUIREMENTS**

6.1 Application for building permit shall be accompanied by copies of the following:

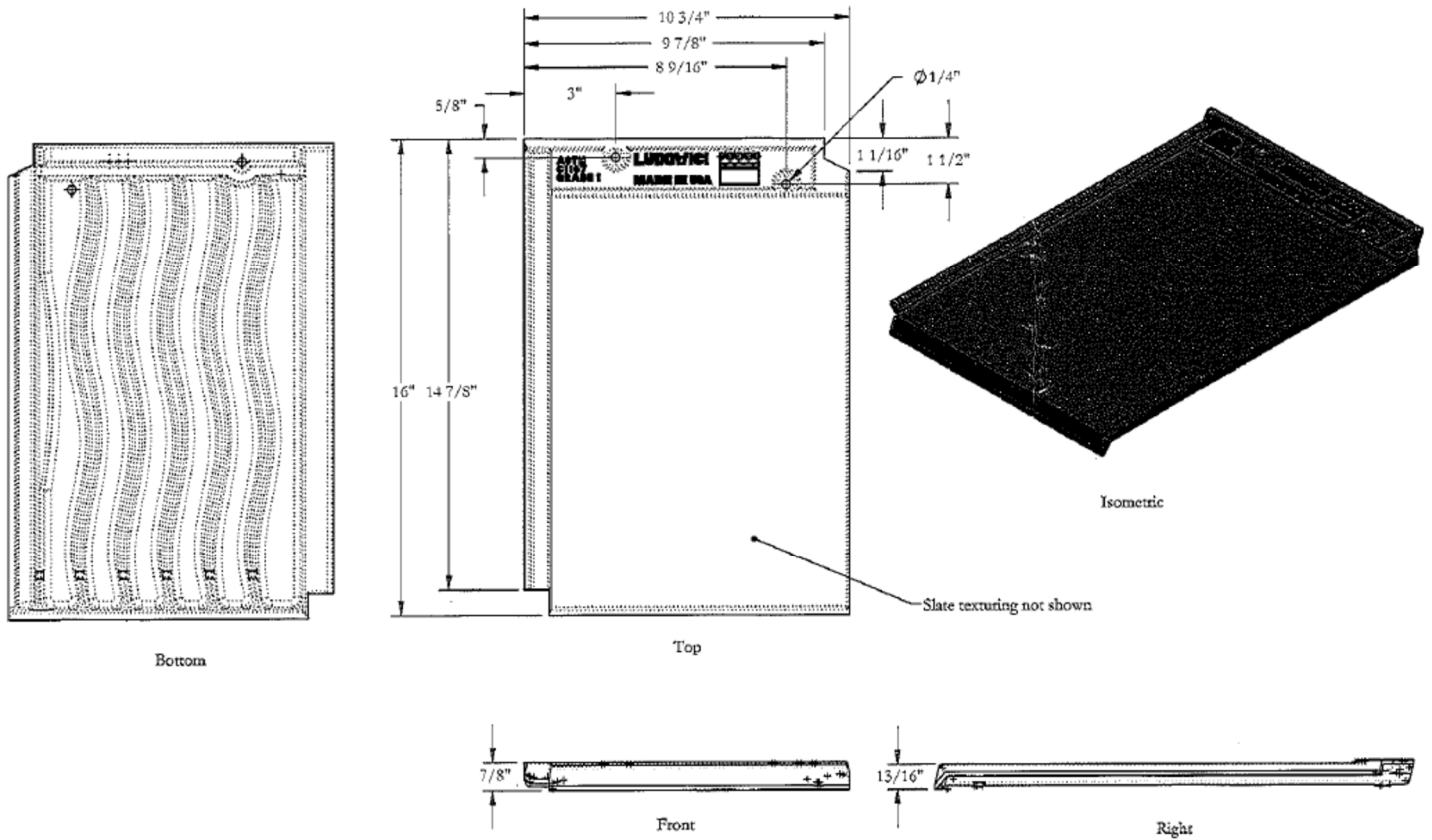
6.1.1 This Notice of Acceptance.

6.1.2 Any other documents required by the Building Official or applicable building code in order to properly evaluate the installation of this system.



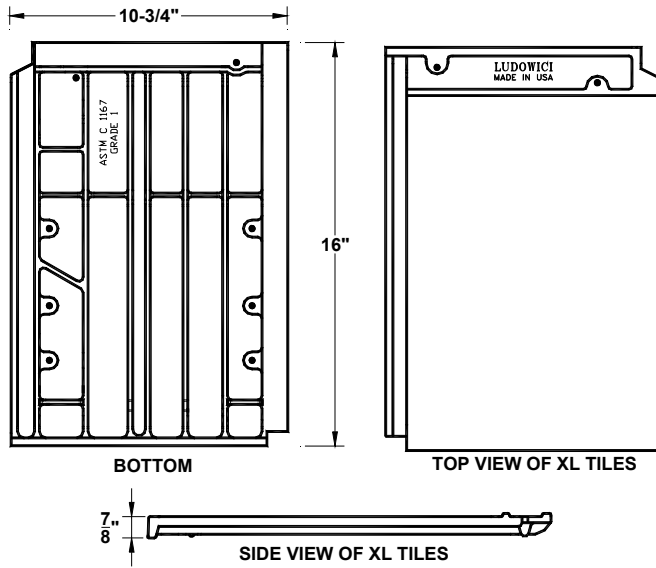
NOA No.: 23-0125.11  
Expiration Date: 01/31/28  
Approval Date: 02/16/23  
Page 6 of 9

## PROFILE DRAWINGS

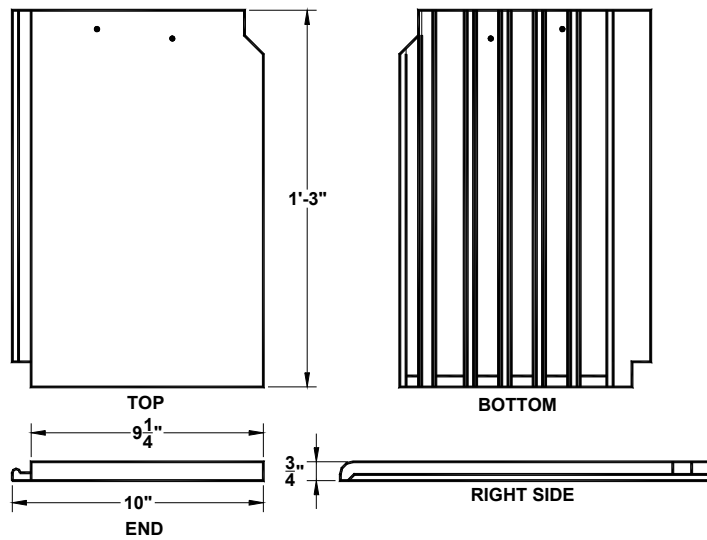


### LUDO SLATE AND LUDO SHAKE CLAY ROOF TILE (LUDO SHAKE CONTAINS STRIATIONS ON TOP SURFACE TO RESEMBLE A WOOD SHAKE)





### XL CLAY ROOF TILES



### IMPERIAL CLAY ROOF TILE

**END OF THIS ACCEPTANCE**



NOA No.: 23-0125.11  
 Expiration Date: 01/31/28  
 Approval Date: 02/16/23  
 Page 8 of 9





**NOA No.: 23-0125.11**  
**Expiration Date: 01/31/28**  
**Approval Date: 02/16/23**  
**Page 9 of 9**