



MIAMI-DADE COUNTY
PRODUCT CONTROL SECTION
 11805 SW 26 Street, Room 208
 Miami, Florida 33175-2474
 T (786) 315-2590 F (786) 315-2599
www.miamidade.gov/economy

DEPARTMENT OF REGULATORY AND ECONOMIC RESOURCES (RER)
 BOARD AND CODE ADMINISTRATION DIVISION
NOTICE OF ACCEPTANCE (NOA)

Cornell Iron Works, Inc.
24 Elmwood Avenue
Mountaintop, PA 18707

SCOPE:

This NOA is being issued under the applicable rules and regulations governing the use of construction materials. The documentation submitted has been reviewed and accepted by Miami-Dade County RER-Product Control Section to be used in Miami-Dade County and other areas where allowed by the Authority Having Jurisdiction (AHJ).

This NOA shall not be valid after the expiration date stated below. The Miami-Dade County Product Control Section (In Miami-Dade County) and/ or the AHJ (in areas other than Miami-Dade County) reserve the right to have this product or material tested for quality assurance purposes. If this product or material fails to perform in the accepted manner, the manufacturer will incur the expense of such testing and the AHJ may immediately revoke, modify, or suspend the use of such product or material within their jurisdiction. RER reserves the right to revoke this acceptance if it is determined by Miami-Dade County Product Control Section that this product or material fails to meet the requirements of the applicable building code.

This product is approved as described herein and has been designed to comply with the Florida Building Code, including the High Velocity Hurricane Zone.

DESCRIPTION: Steel Roll up Door up to 15'-5" Wide (80 FPS Impact)

APPROVAL DOCUMENT: Drawing No. **ES-16-102-CIW**, titled "Non-Insulated Rolling Steel Door (15'-5" Wide, 50 PSF, 80 FPS", sheets 1 through 8 of 8, dated 04/20/2020, prepared by Cornell Iron Works, Inc., signed and sealed by Shawn P. Kelley, P.E., dated on 09/02/2023, bearing the Miami-Dade County Product Control revision stamp with the Notice of Acceptance number and expiration date by the Miami-Dade County Product Control Section.

MISSILE IMPACT RATING: Large and Small Missile Impact Resistant

LABELING: Garage doors shall be labeled with a permanent label provided by the garage door manufacturer. The label shall identify the garage door manufacturer, the garage door model/series number, the positive and negative design pressure rating, indicate impact rated if applicable, the installation instruction drawing reference number, the Miami-Dade NOA number, and the applicable test standards.

RENEWAL of this NOA shall be considered after a renewal application has been filed and there has been no change in the applicable building code negatively affecting the performance of this product.

TERMINATION of this NOA will occur after the expiration date or if there has been a revision or change in the materials, use, and/ or manufacture of the product or process. Misuse of this NOA as an endorsement of any product, for sales, advertising or any other purposes shall automatically terminate this NOA. Failure to comply with any section of this NOA shall be cause for termination and removal of NOA.

ADVERTISEMENT: The NOA number preceded by the words Miami-Dade County, Florida, and followed by the expiration date may be displayed in advertising literature. If any portion of the NOA is displayed, then it shall be done in its entirety.

INSPECTION: A copy of this entire NOA shall be provided to the user by the manufacturer or its distributors and shall be available for inspection at the job site at the request of the Building Official.

This NOA **revises NOA #20-1005.06** and consists of this page 1 and evidence pages E-1 and E-2, as well as approval document mentioned above.

The submitted documentation was reviewed by **Helmy A. Makar, P.E., M.S.**



Helmy A. Makar
 04/25/24

NOA-No. 23-1017.15
 Expiration Date: 02/24/2027
 Approval Date: 04/25/2024

NOTICE OF ACCEPTANCE: EVIDENCE SUBMITTED

1. EVIDENCE SUBMITTED UNDER PREVIOUS APPROVAL NOA #20-1005.06

A. DRAWINGS

1. Drawing No. **ES-16-102-CIW**, titled “Non-Insulated Rolling Steel Door (15’-5” Wide, 50 PSF, 80 FPS”, sheets 1 through 8 of 8, dated 04/20/2020, prepared by Cornell Iron Works, Inc., signed and sealed by Shawn P. Kelley, P.E., last sheet on 01/26/2022.

B. TESTS “Submitted under NOA # 20-1005.04”

1. Test reports on 1) Uniform Static Air Pressure Test, Loading per FBC, TAS 202-94
2) Large Missile Impact Test per FBC, TAS 201-94 (Level ‘E’)
3) Cyclic Wind Pressure Loading per FBC, TAS 203-94
4) Forced Entry Test per FBC, TAS 202-94
5) Tensile Test per ASTM E8-16a
along with marked-up drawings and installation diagram of C1 Roll-up Garage Doors, prepared by Intertek, Test Report No. **J1739.01-109-18**, dated 10/10/2019, revised on 02/09/2021, signed and sealed by Daniel C. Culbert, P.E.
2. Test report on Salt Spray Performance Test per ASTM B117-09 of G90 unpainted and G40 painted samples, prepared by Intertek, Test Report No. **M6278.01-106-18 R0**, dated 12/13/2021, signed and sealed by Vinu J. Abraham, P.E.

C. CALCULATIONS “Submitted under NOA # 20-1005.04”

1. Door calculations prepared by Moment Engineering + Design, dated 01/22/2021, signed and sealed by Shawn P. Kelley, P.E.

D. QUALITY ASSURANCE

1. Miami-Dade Department of Regulatory and Economic Resources (RER).

E. MATERIAL CERTIFICATIONS

1. None.

F. STATEMENTS

1. Statement letter of code conformance to the 7th edition (2020) of the FBC and of not financial interest issued by Moment Engineering + Design, dated 01/13/2021, signed and sealed by Shawn P. Kelley, P.E.
2. Private label agreement dated 02/27/2020.



Helmy A. Makar, P.E., M.S.
Product Control Section Supervisor
NOA-No. 23-1017.15
Expiration Date: 02/24/2027
Approval Date: 04/25/2024

Cornell Iron Works, Inc.

NOTICE OF ACCEPTANCE: EVIDENCE SUBMITTED

2. NEW EVIDENCE SUBMITTED

A. DRAWINGS

1. *Drawing No. ES-16-102-CIW, titled "Non-Insulated Rolling Steel Door (15'-5" Wide, 50 PSF, 80 FPS", sheets 1 through 8 of 8, dated 04/20/2020, prepared by Cornell Iron Works, Inc., signed and sealed by Shawn P. Kelley, P.E., dated on 09/02/2023.*

B. TESTS

1. *None.*

C. CALCULATIONS

1. *None.*

D. QUALITY ASSURANCE

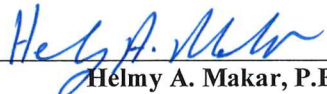
1. *By Miami-Dade Department of Regulatory and Economic Resources (RER).*

E. MATERIAL CERTIFICATIONS

1. *None.*

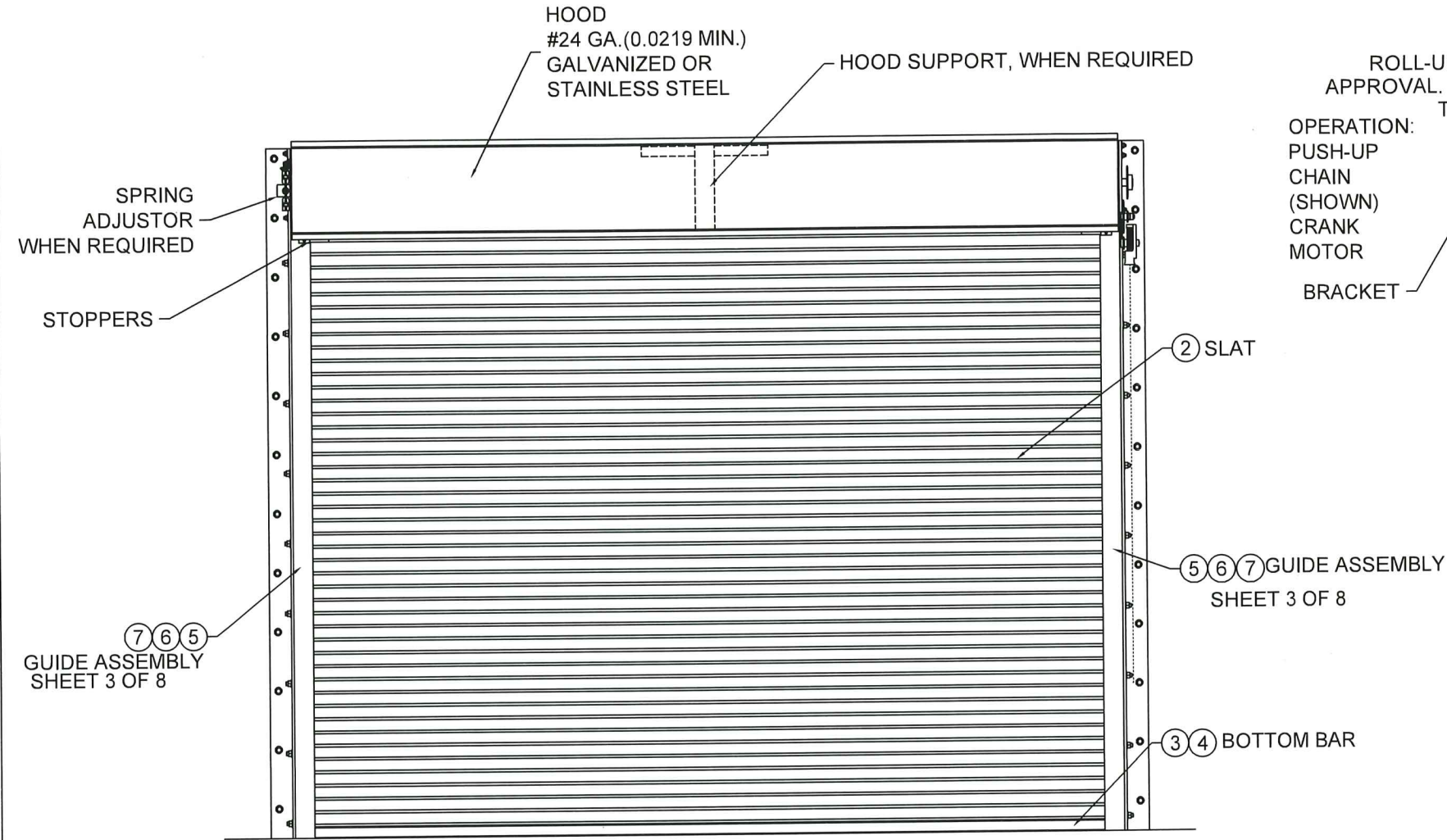
F. STATEMENTS

1. *Statement letter of code conformance to the 8th edition (2023) of the FBC and of not financial interest issued by Moment Engineering + Design, dated 08/28/2023, signed and sealed by Shawn P. Kelley, P.E.*
2. *Private label agreement dated 02/27/2020.*

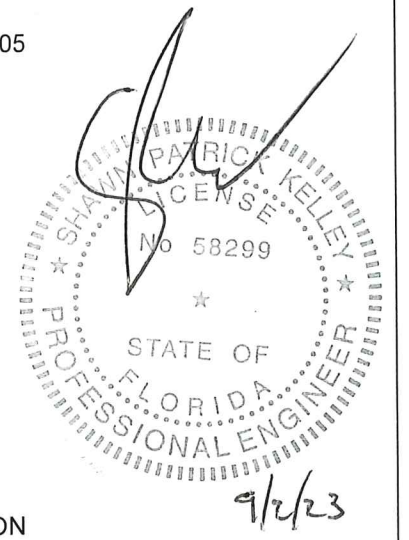
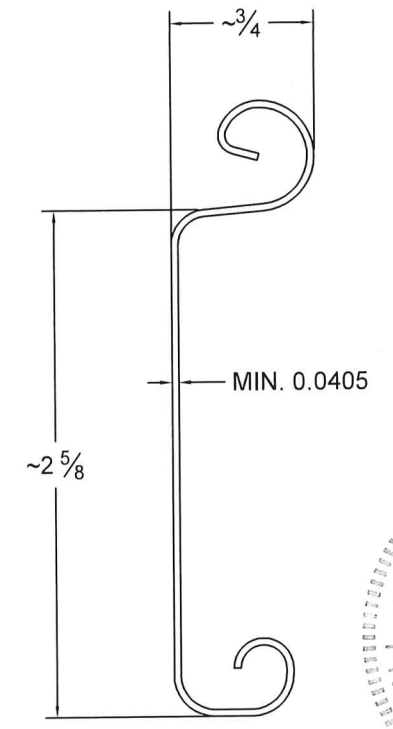
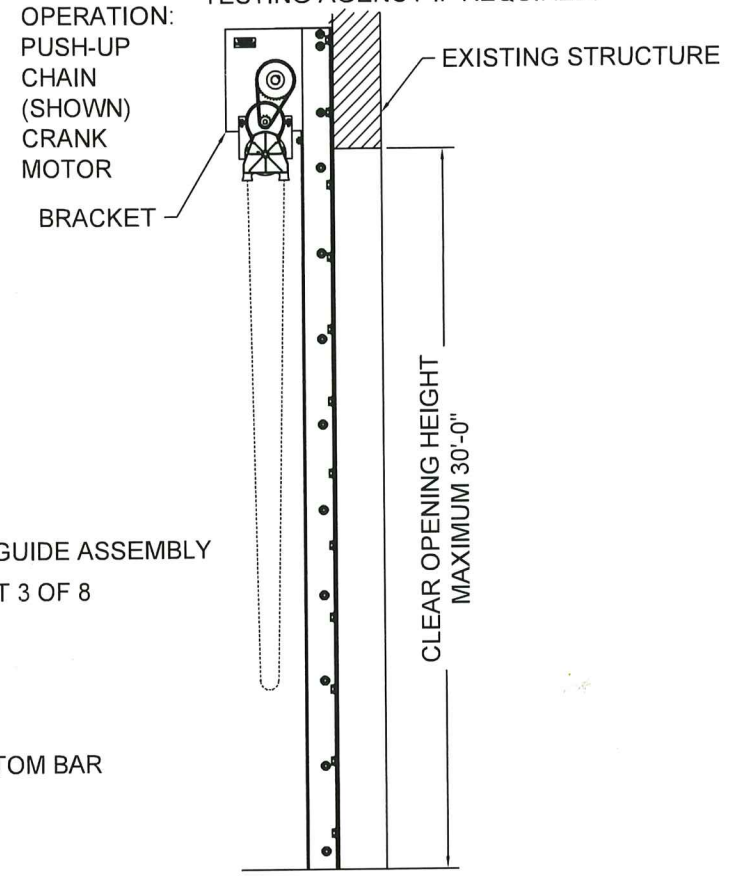


Helmy A. Makar, P.E., M.S.
Product Control Section Supervisor
NOA-No. 23-1017.15
Expiration Date: 02/24/2027
Approval Date: 04/25/2024

L'TR	REVISION	DATE	BY	E.C.O.
*	ORIGINAL ISSUE	04/20/20	CJR	1997

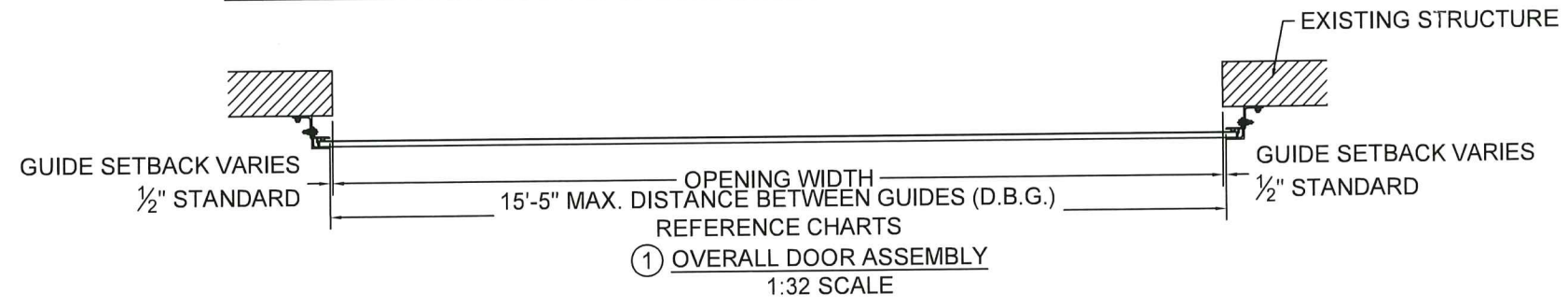


ROLL-UP MECHANISM NOT INCLUDED IN THIS APPROVAL. MUST BE CERTIFIED BY AN INDEPENDENT TESTING AGENCY IF REQUIRED.



② SLAT DETAIL
TYPICAL SECTION

ASTM A653 HSLAS TYPE B GRADE 40 G40 OR
 ASTM A653 HSLAS TYPE A GRADE 40 G40 OR
 ASTM A653 STRUCTURAL STEEL GRADE 40 G40
 OR TYPE 304 STAINLESS STEEL (MIN. YIELD 40,000 psi)
 OR TYPE 316 STAINLESS STEEL (MIN. YIELD 40,000 psi)
 OR TYPE 430 STAINLESS STEEL (MIN. YIELD 40,000 psi)
 OR TYPE 201 STAINLESS STEEL (MIN. YIELD 40,000 psi)
 FULL SCALE

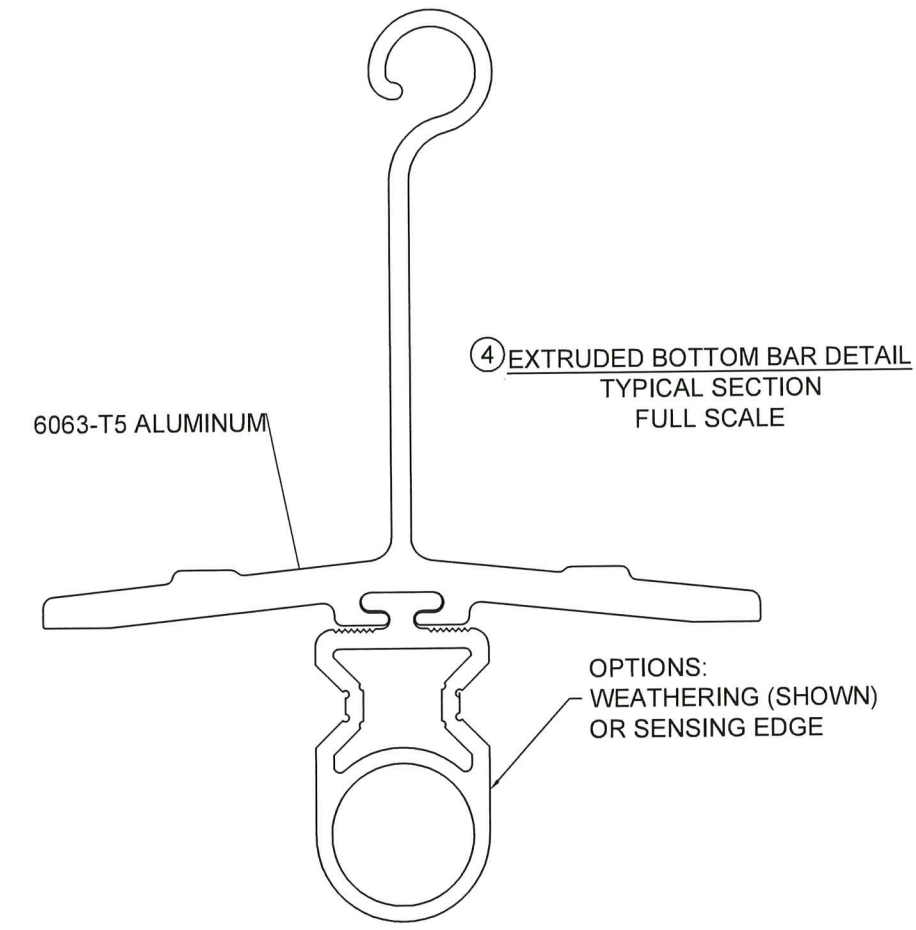
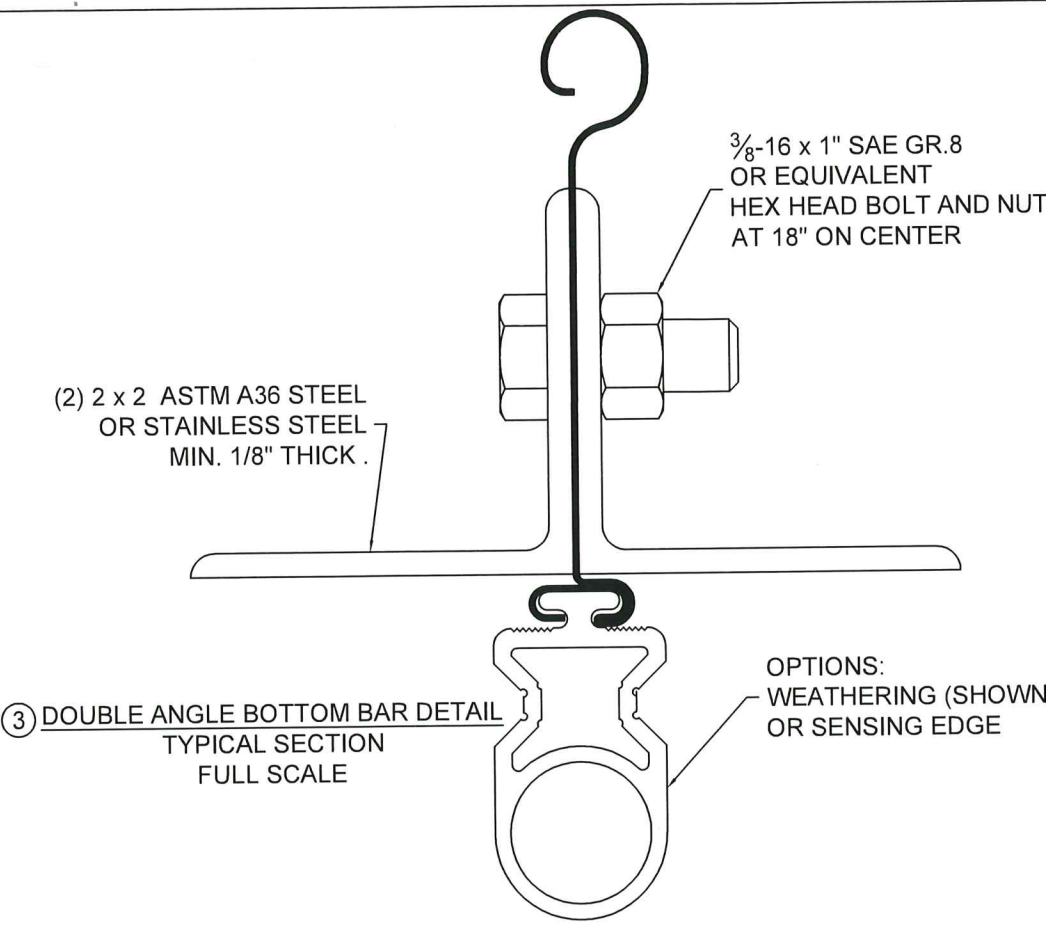


① OVERALL DOOR ASSEMBLY
1:32 SCALE

PRODUCT REVISED
 as complying with the Florida
 Building Code
 Acceptance No. 23-1017.15
 Expiration Date 02/24/2027
 By: *Heidi A. Miller*
 Miami Door Product Control

	24 ELMWOOD AVE 1901 S. LITCHFIELD RD MOUNTAINTOP, PA GOODYEAR, AZ P: 800.233.8366 F: 800.526.0841 E: ADS@CORNELLIRON.COM	Unless otherwise specified, dimensions are in inches & tolerances are: 0.000 = +/- 0.031 FRACTIONAL = +/- 1/32 ANGLES = +/- 1/2 DEG
	TITLE: WIND LOAD CONFIGURATION NON-INSULATED ROLLING STEEL DOOR (15'-5" WIDE, 50PSF, 80 IMPACT)	DRAWN BY: CJR SIZE: B SCALE: AS NOTED SHEET: 1/8

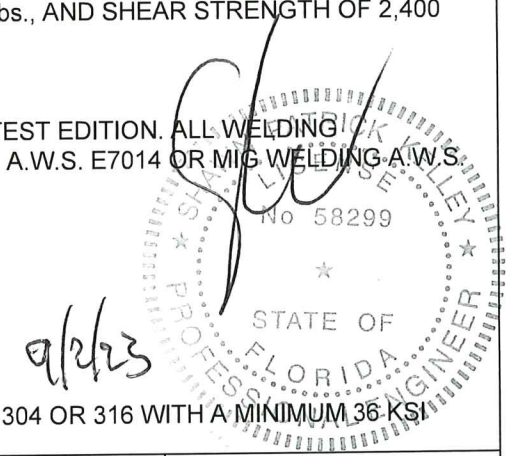
L'TR	REVISION	DATE	BY	E.C.O.
*	ORIGINAL ISSUE	04/20/20	CJR	1997



GENERAL NOTES:

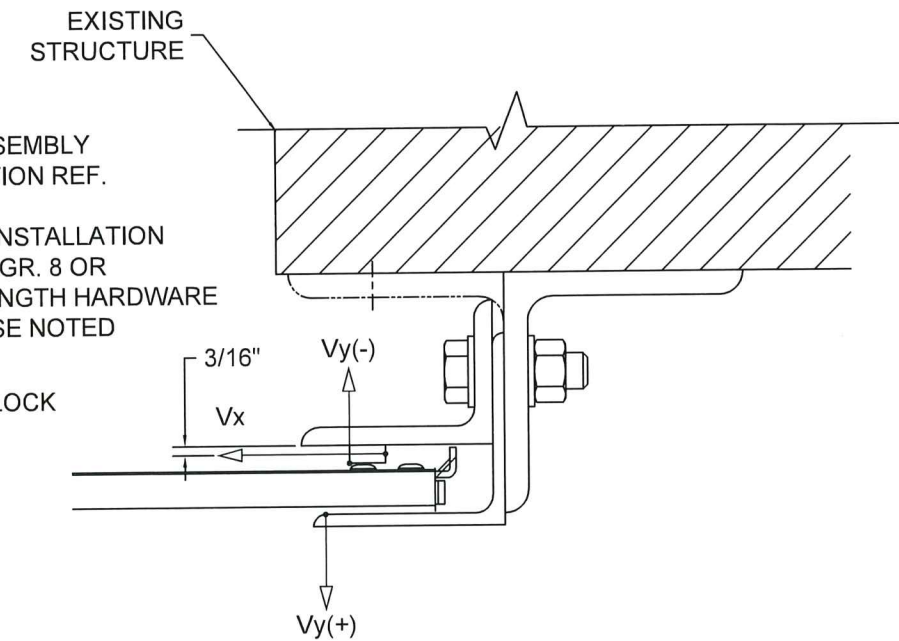
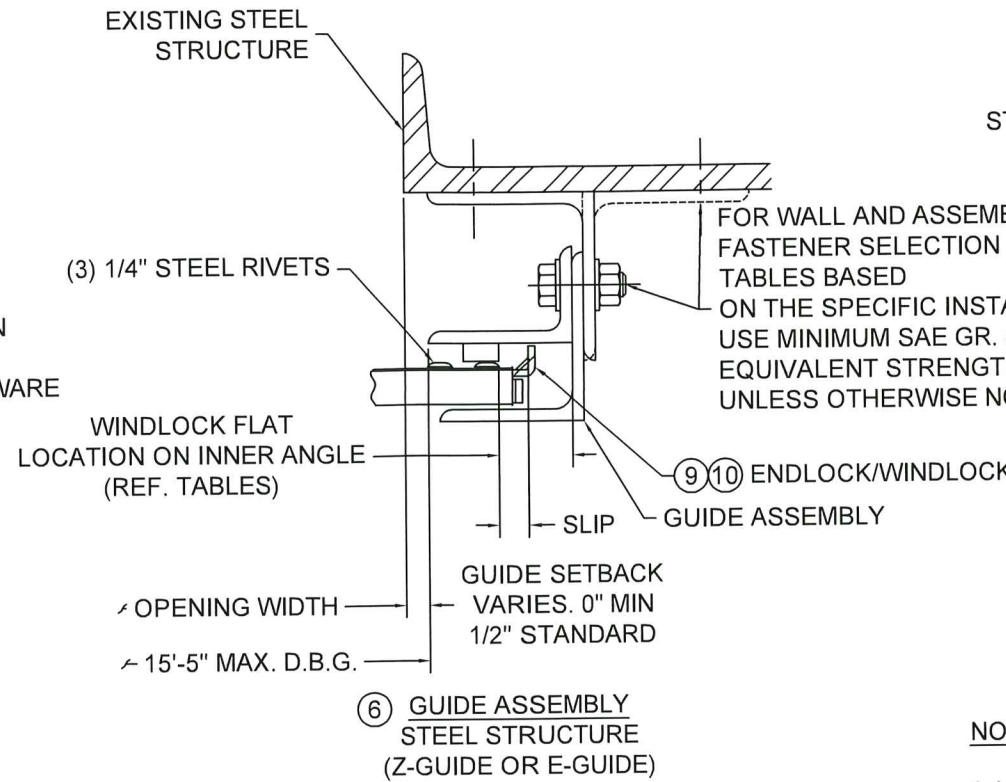
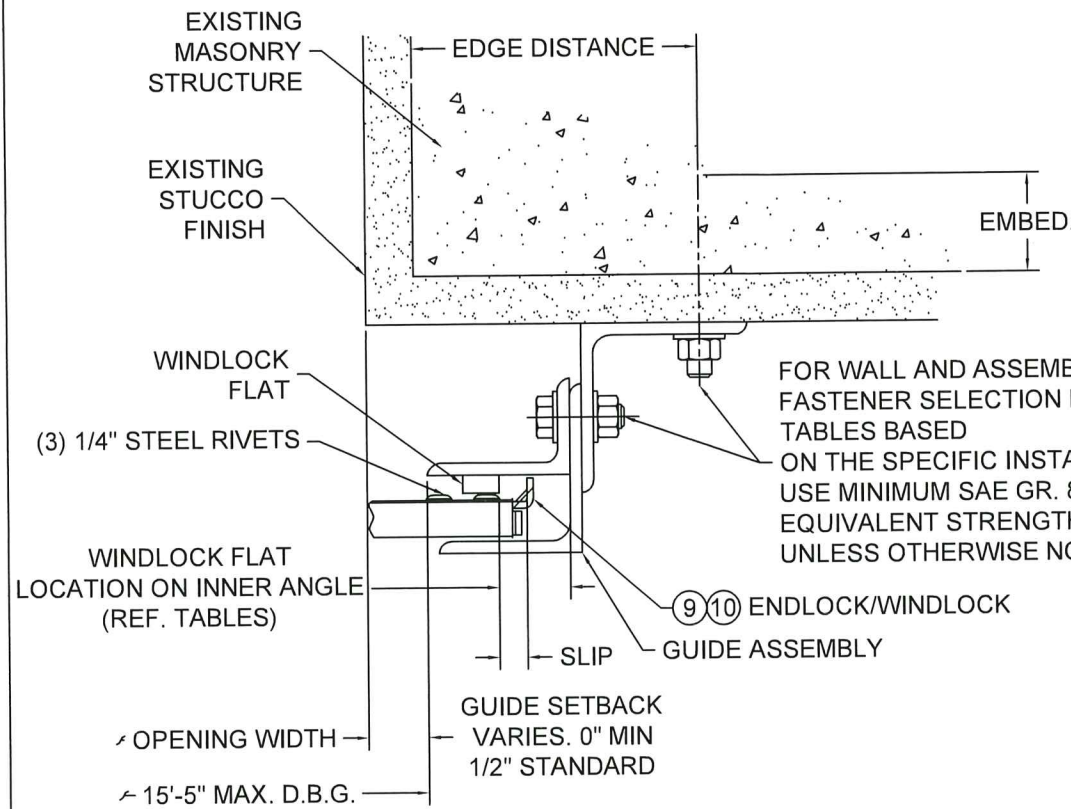
1. THESE PRODUCT EVALUATION DOCUMENTS REPRESENT A ROLL-UP DOOR ASSEMBLY DESIGNED AND TESTED IN ACCORDANCE WITH THE FLORIDA BUILDING CODE.
2. THIS ROLL-UP DOOR HAS BEEN TESTED FOR UNIFORM STATIC PRESSURE, IMPACT AND FATIGUE RESISTANCE IN ACCORDANCE WITH THE FBC TEST PROTOCOLS FOR HIGH VELOCITY HURRICANE ZONES TAS 201, TAS 202, AND TAS 203.
3. A 33% INCREASE IN ALLOWABLE STRESS HAS NOT BEEN USED IN THE DESIGN OF THIS PRODUCT.
4. DETERMINE THE POSITIVE AND NEGATIVE DESIGN LOADS TO USE WHEN REFERENCING THESE DOCUMENTS IN ACCORDANCE WITH THE GOVERNING CODE AND GOVERNING WIND VELOCITY.
5. THESE PRODUCT EVALUATION DOCUMENTS ARE PREPARED BY THE PRODUCT ENGINEER AND ARE GENERIC. THEY DO NOT INCLUDE INFORMATION PREPARED FOR A SPECIFIC SITE.
6. THESE PRODUCT EVALUATION DOCUMENTS ARE NOT VALID FOR PERMIT WITHOUT ORIGINAL SIGNATURE, DATE AND EMBOSSED SEAL ON EACH PERMIT COPY, WHETHER OR NOT A MASTER APPROVAL DOCUMENT IS ON FILE WITH A MUNICIPALITY OR OTHER GOVERNING AGENCY.
7. THESE PRODUCT EVALUATION DOCUMENTS ARE SUITABLE TO BE APPLIED BY THE CONTRACTOR PROVIDED THE CONTRACTOR DOES NOT DEVIATE FROM THE CONDITIONS DETAILED HEREIN AND THE CONTRACTOR VERIFIES THE EXISTING STRUCTURE IS CAPABLE OF SUPPORTING THE SUPERIMPOSED LOADS V_x & V_y ON THE JAMBS OF THE DOOR.
8. ALTERATIONS OR ADDITIONS TO THIS DOCUMENT ARE NOT PERMITTED.
9. WHEN THE SITE CONDITIONS DEVIATE FROM THESE PRODUCT EVALUATION DOCUMENTS, SITE SPECIFIC DOCUMENTS SHALL BE PREPARED BY A DULY LICENSED AND REGISTERED ENGINEER OR ARCHITECT.
10. IF THE DEVIATING SITE SPECIFIC DOCUMENTS ARE PREPARED BY A DELEGATED REGISTERED ENGINEER OR ARCHITECT, SAID DOCUMENTS SHALL BEAR THE DATE, SIGNATURE, AND EMBOSSED SEAL OF THE DELEGATED ENGINEER OR ARCHITECT AND SHALL BE SUBMITTED TO THE PROJECT ENGINEER FOR REVIEW.
11. ALL HARDWARE SHALL BE GALVANIZED STEEL, PLATED STEEL OR STAINLESS STEEL
12. ALL WINDLOCK RIVETS SHALL BE 1/4" STEEL RIVETS IFI GRADE 30 WITH A MINIMUM TENSILE STRENGTH OF 1,850 Lbs., AND SHEAR STRENGTH OF 2,400 Lbs., U.O.N.. RIVETS TO BE INSTALLED IN ALL WINDLOCK HOLES.
13. ENDLOCKS/WINDLOCKS SHALL BE STAMPED STEEL AND MUST CONFORM TO ASTM A36 OR EQUIVALENT.
14. ALL WELDING SHALL BE PERFORMED BY QUALIFIED WELDERS IN ACCORDANCE WITH A.W.S. SPECIFICATIONS, LATEST EDITION. ALL WELDING ELECTRODES SHALL CONFORM TO A.W.S. A5.1 GRADE E-70. MINIMUM WELDING PROCESSES SHALL BE ARC WELDING A.W.S. E7014 OR MIG WELDING A.W.S. ER70S-6.
15. ANCHOR NOTES:
 A. EMBEDMENT LENGTH DOES NOT INCLUDE STUCCO FINISH.
 B. ANCHORS SHALL BE INSTALLED IN ACCORDANCE WITH MANUFACTURERS SPECIFICATIONS.
 C. ANCHOR CAPACITY FOR THIS ROLL-UP DOOR IS BASED ON MIN. 3,000 P.S.I. CONCRETE EXCEPT WHERE NOTED..
 D. FOR MINIMUM EMBEDMENT AND MINIMUM EDGE DISTANCE, REFER TO TABLES.
16. DOOR MAY BE INSTALLED ON THE INSIDE OR OUTSIDE OF AN EXTERIOR WALL
17. ALL SHAPES USED FOR GUIDE ASSEMBLIES MUST CONFORM TO ATSM A36 FOR STEEL OR ASTM A276 FOR TYPES 304 OR 316 WITH A MINIMUM 36 KSI YIELD STRENGTH.

PRODUCT REVISED
 as complying with the Florida
 Building Code
 Acceptance No. 23-1017.15
 Expiration Date 04/24/2027
 By *Heidi P. Walker*
 Miami Data Product Control



	24 ELMWOOD AVE 1901 S. LITCHFIELD RD MOUNTAINTOP, PA GOODYEAR, AZ P: 800.233.8366 F: 800.526.0841 E: ADS@CORNELLIRON.COM	Unless otherwise specified, dimensions are in inches & tolerances are: 0.000 = +/- 0.031 FRACTIONAL = +/- 1/32 ANGLES = +/- 1/2 DEG
	TITLE: WIND LOAD CONFIGURATION NON-INSULATED ROLLING STEEL DOOR (15'-5" WIDE, 50 PSF, 80 IMPACT)	DRAWN BY: CJR SIZE: B SCALE: AS NOTED SHEET: 2/8 DWG NO: ES-16-102-CIW

L'TR	REVISION	DATE	BY	E.C.O.
*	ORIGINAL ISSUE	04/20/20	CJR	1997



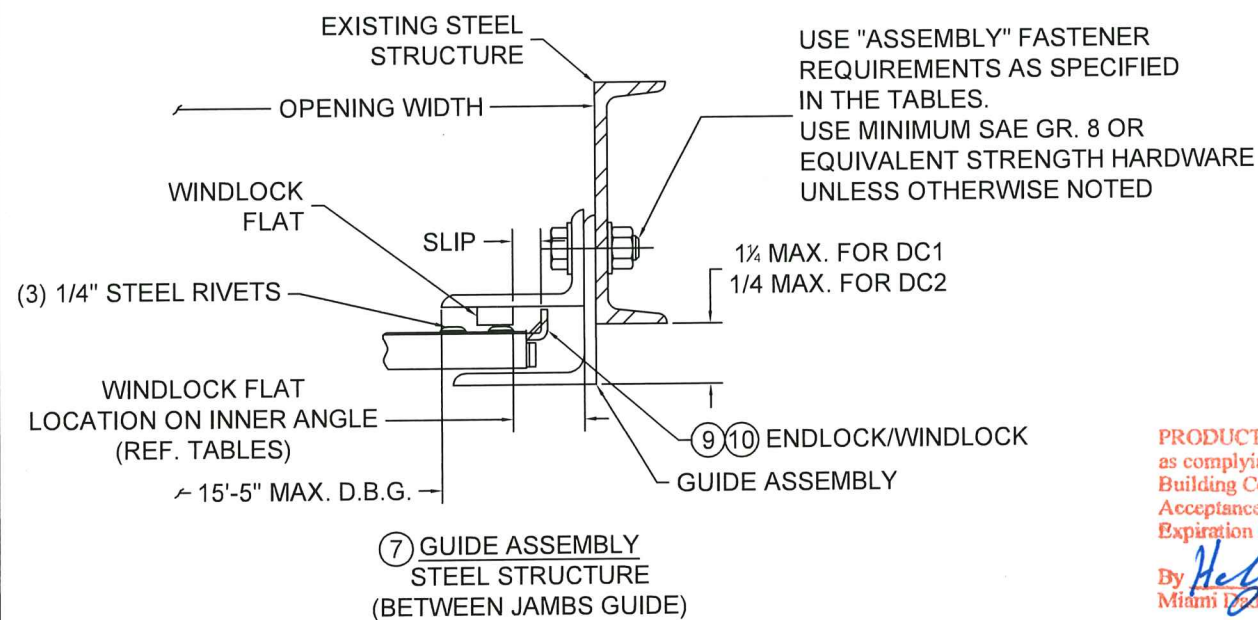
NOTE:

1. V_x & V_y ARE HORIZ. AND VERT. COMPONENTS OF THE REACTION, RESPECTIVELY, RESULTING FROM WIND LOADS ON THE ROLL-UP DOOR. THE EXISTING STRUCTURE SHALL BE CAPABLE OF RESISTING V_x & V_y FORCES SHOWN AND THE CORRESPONDING REACTIONS DUE TO THE ECCENTRICITIES OF THE FORCES.

⑧ SUPERIMPOSED LOAD DIAGRAM
SCALE: 3" = 1'-0"



⑤ GUIDE ASSEMBLY
CONCRETE OR FILLED BLOCK
STRUCTURE
(Z-GUIDE)



⑦ GUIDE ASSEMBLY
STEEL STRUCTURE
(BETWEEN JAMBS GUIDE)

PRODUCT REVISED
as complying with the Florida
Building Code
Acceptance No. 23-1017.15
Expiration Date 02/24/2027
By *Heidi Miller*
Miami Trade Product Control

CORNELL
Innovative door solutions™

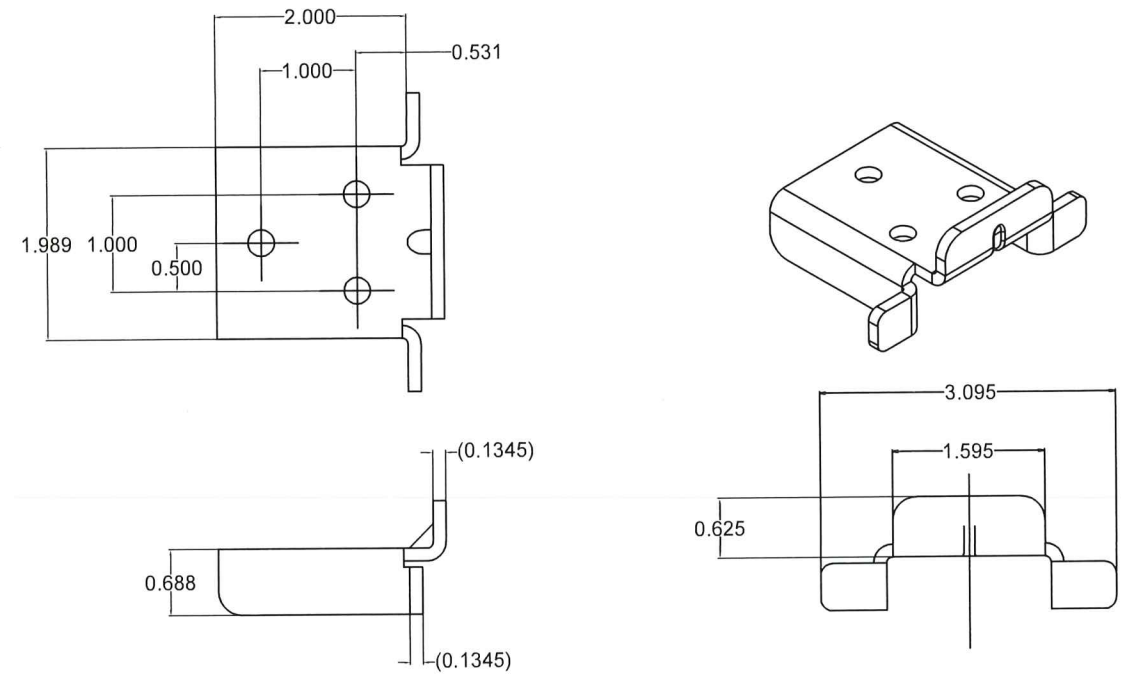
24 ELMWOOD AVE 1901 S. LITCHFIELD RD
MOUNTAINTOP, PA GOODYEAR, AZ
P: 800.233.8366
F: 800.526.0841
E: ADS@CORNELLIRON.COM

Unless otherwise specified,
dimensions are in inches &
tolerances are:
0.000 = +/- 0.031
FRACTIONAL = +/- 1/32
ANGLES = +/- 1/2 DEG

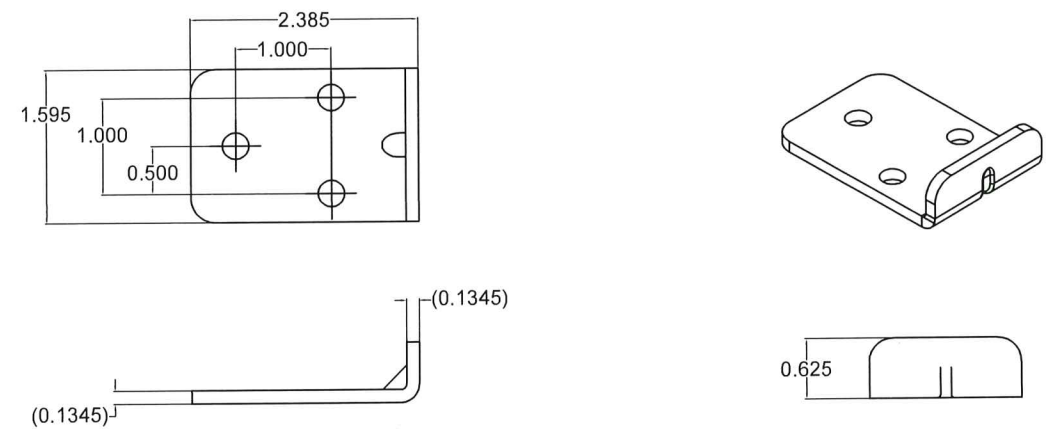
TITLE: WIND LOAD CONFIGURATION
NON-INSULATED ROLLING STEEL DOOR
(15'-5" WIDE, 50 PSF, 80 IMPACT)

DRAWN BY: CJR
SIZE: B
SCALE: AS NOTED
SHEET: 3/8
DWG NO: ES-16-102-CIW

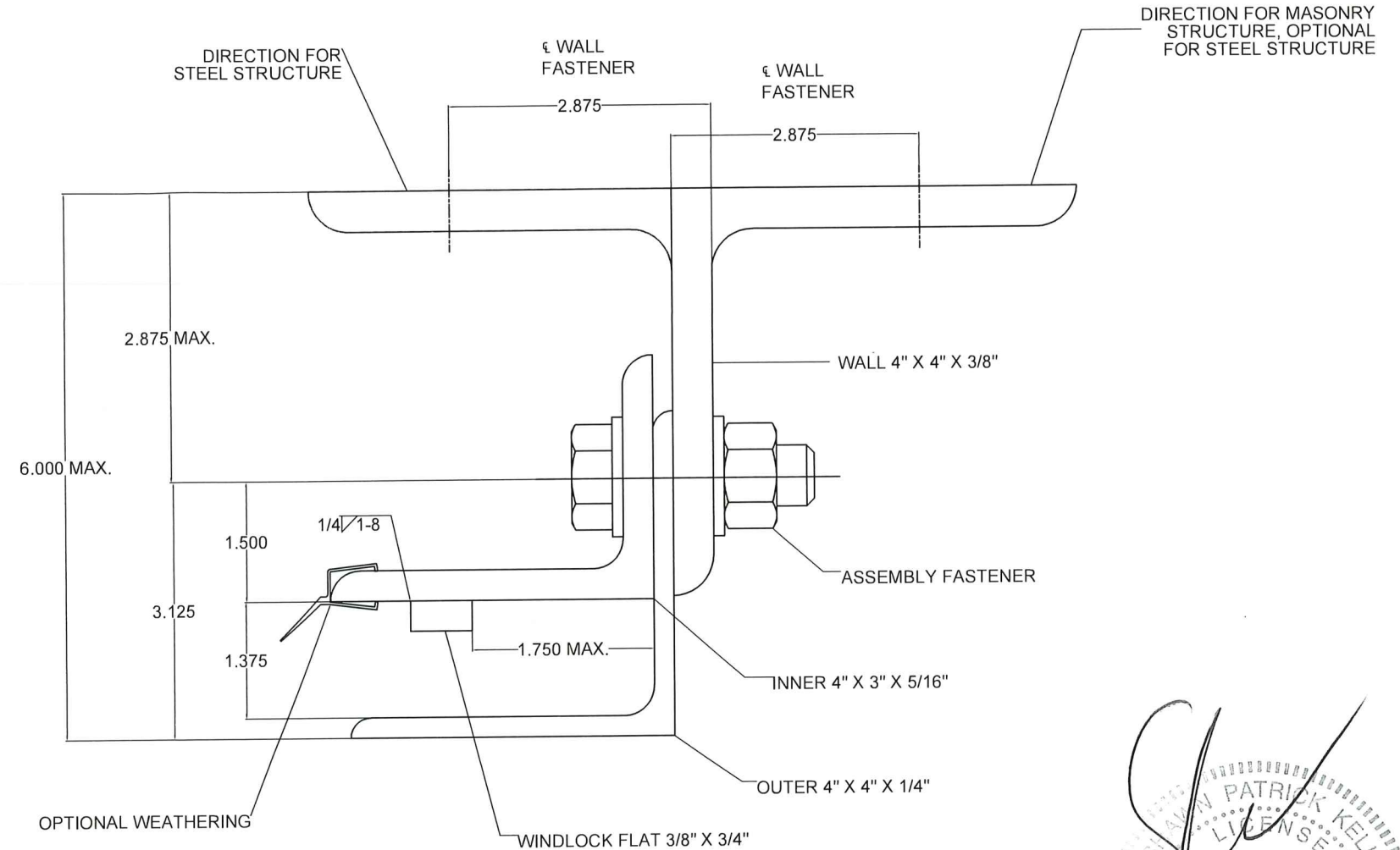
L'TR	REVISION	DATE	BY	E.C.O.
*	ORIGINAL ISSUE	04/20/20	CJR	1997



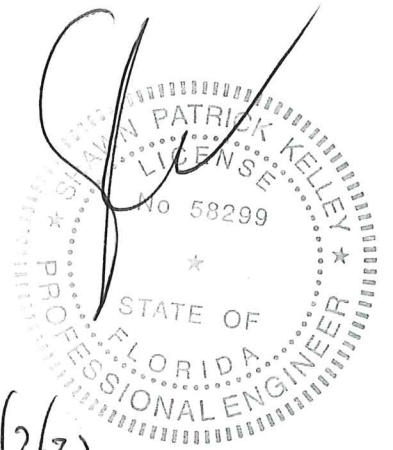
⑨ **ENDLOCK / WINDLOCK DETAIL, CP1214**
 STAMPED STEEL IN ACCORDANCE WITH ASTM A36 OR EQUIVALENT,
 GALVANIZED IN ACCORDANCE WITH ASTM A123, GRADE 85 ZINC-COATING
 1/2 SCALE



⑩ **WINDLOCK DETAIL, CP1513**
 STAMPED STEEL IN ACCORDANCE WITH ASTM A36 OR
 EQUIVALENT, GALVANIZED IN ACCORDANCE WITH ASTM A123,
 GRADE 85 ZINC-COATING
 1/2 SCALE



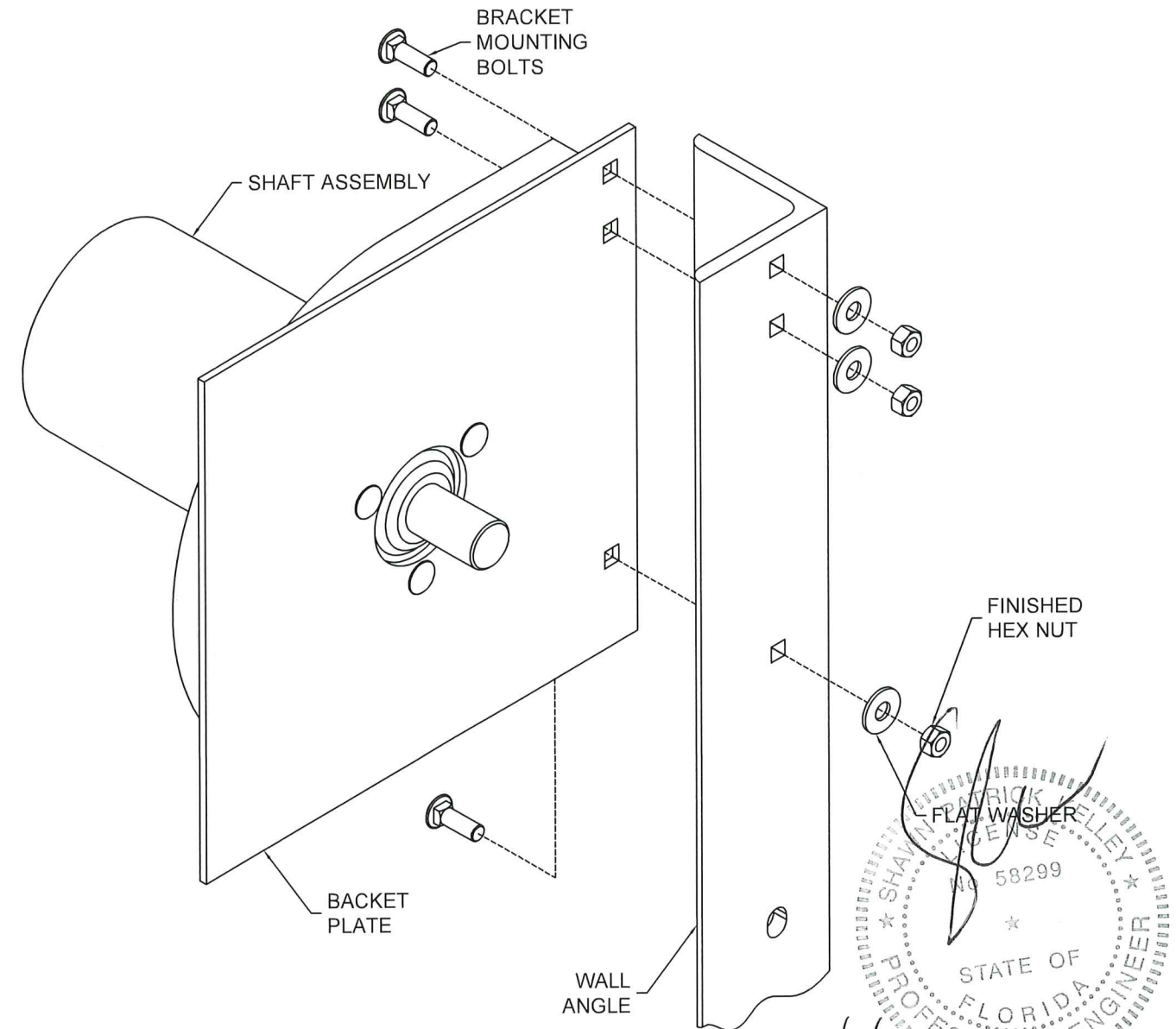
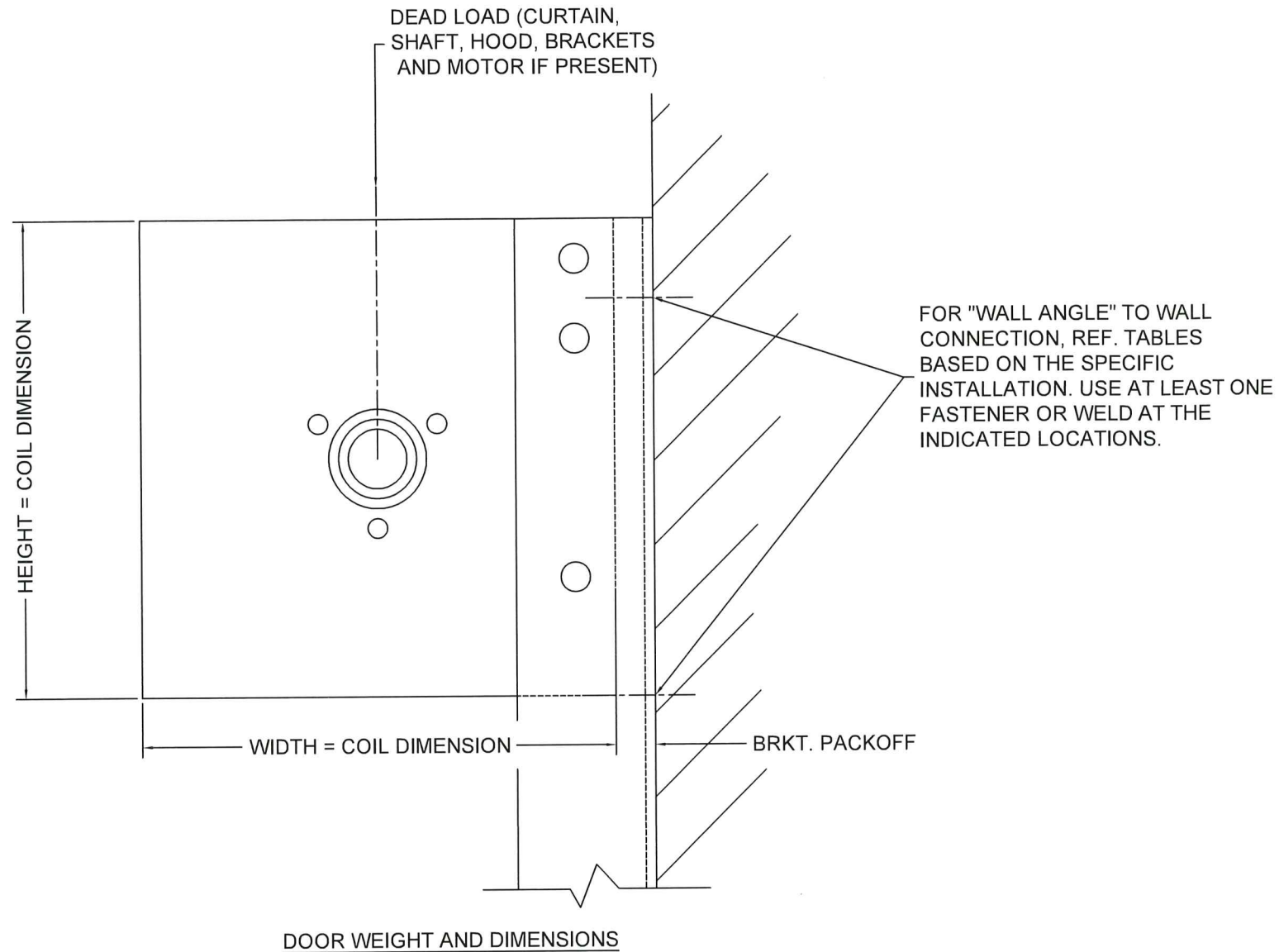
GUIDE ASSEMBLY TYPE 546
 SCALE: NTS



PRODUCT REVISED
 as complying with the Florida
 Building Code
 Acceptance No 23-1017.15
 Expiration Date 02/27/2027
 By [Signature]
 Miami Door Product Control

	24 ELMWOOD AVE 1901 S. LITCHFIELD RD MOUNTAINTOP, PA GOODYEAR, AZ P: 800.233.8366 F: 800.526.0841 E: ADS@CORNELLIRON.COM	Unless otherwise specified, dimensions are in inches & tolerances are: 0.000 = +/- 0.031 FRACTIONAL = +/- 1/32 ANGLES = +/- 1/2 DEG
	TITLE: WIND LOAD CONFIGURATION NON-INSULATED ROLLING STEEL DOOR (15'-5" WIDE, 50PSF, 80 IMPACT)	DRAWN BY: CJR SIZE: B SCALE: AS NOTED SHEET: 4/8 DWG NO: ES-16-102-CIW

L'TR	REVISION	DATE	BY	E.C.O.
*	ORIGINAL ISSUE	04/20/20	CJR	1997



NOTE:

1. WHEN MOTOR IS PROVIDED, HEIGHT OR WIDTH DIMENSION MAY INCREASE UP TO 2-1/2" BASED ON MOTOR LOCATION. WHEN AN 8" DIAMETER OR LARGER SHAFT ASSEMBLY IS PROVIDED, HEIGHT DIMENSION INCREASES BY 2".
2. WHEN COIL BOX STRUCTURE IS PROVIDED HEIGHT AND WIDTH DIMENSION WILL INCREASE BY 4"

NOTE:

- BRACKET MOUNTING**
1. STANDARD BRACKET MOUNTING DETAIL IS DEPICTED, OTHER MOUNTINGS ARE AVAILABLE

PRODUCT REVISED
as complying with the Florida
Building Code
Acceptance No. 23-1017.15
Expiration Date 02/24/2027
By *Healy A. Mator*
Miami Door Product Control

CORNELL
Innovative door solutions™

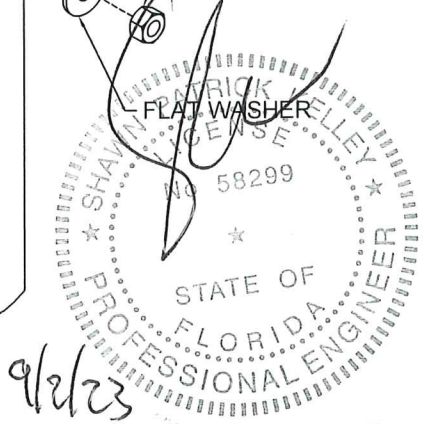
24 ELMWOOD AVE 1901 S. LITCHFIELD RD
MOUNTAINTOP, PA GOODYEAR, AZ
P: 800.233.8366
F: 800.526.0841
E: ADS@CORNELLIRON.COM

Unless otherwise specified,
dimensions are in inches &
tolerances are:

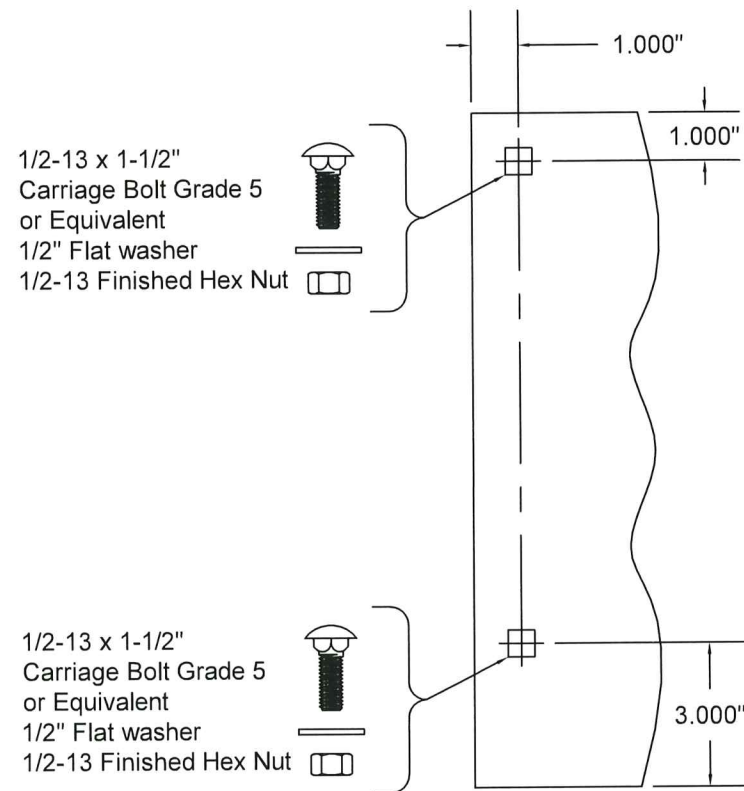
0.000 = +/- 0.031
FRACTIONAL = +/- 1/32
ANGLES = +/- 1/2 DEG

TITLE: WIND LOAD CONFIGURATION
NON-INSULATED ROLLING STEEL DOOR
(15'-5" WIDE, 50 PSF, 80 IMPACT)

DRAWN BY: CJR	SIZE: B	SCALE: AS NOTED	SHEET: 5/8
DWG NO:			ES-16-102-CIW

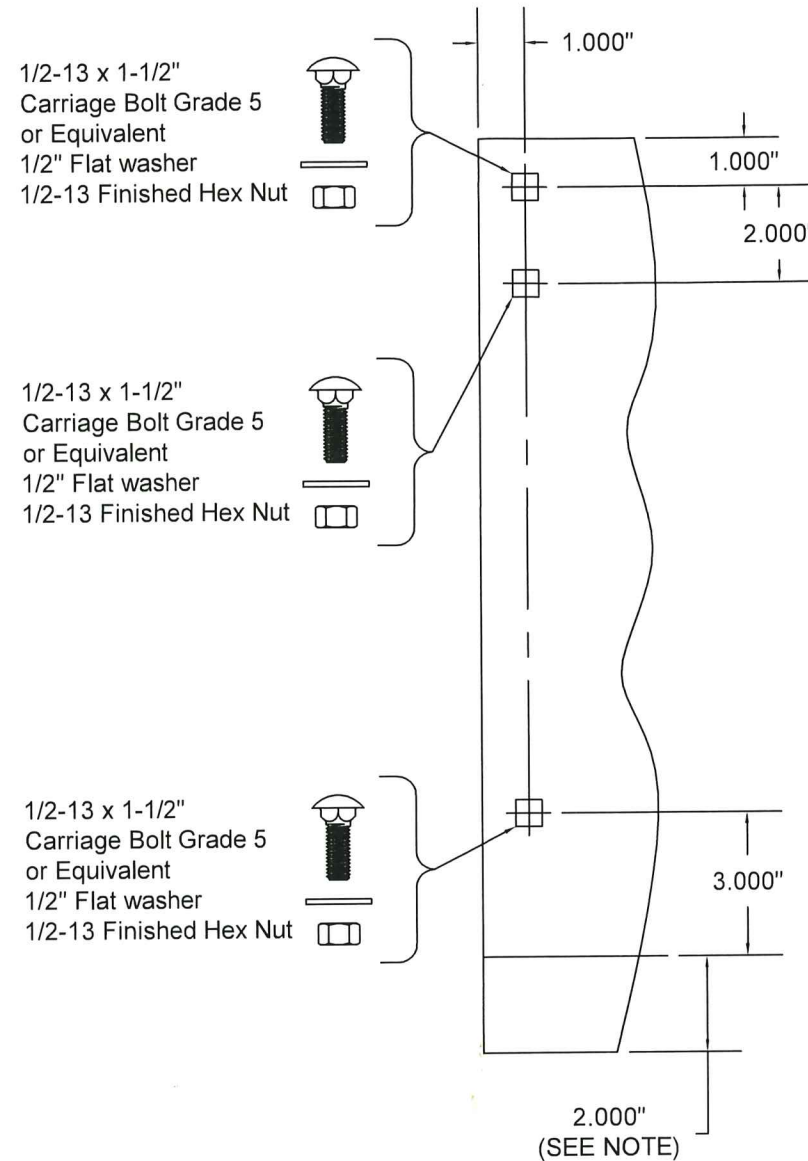


L'TR	REVISION	DATE	BY	E.C.O.
*	ORIGINAL ISSUE	04/20/20	CJR	1997

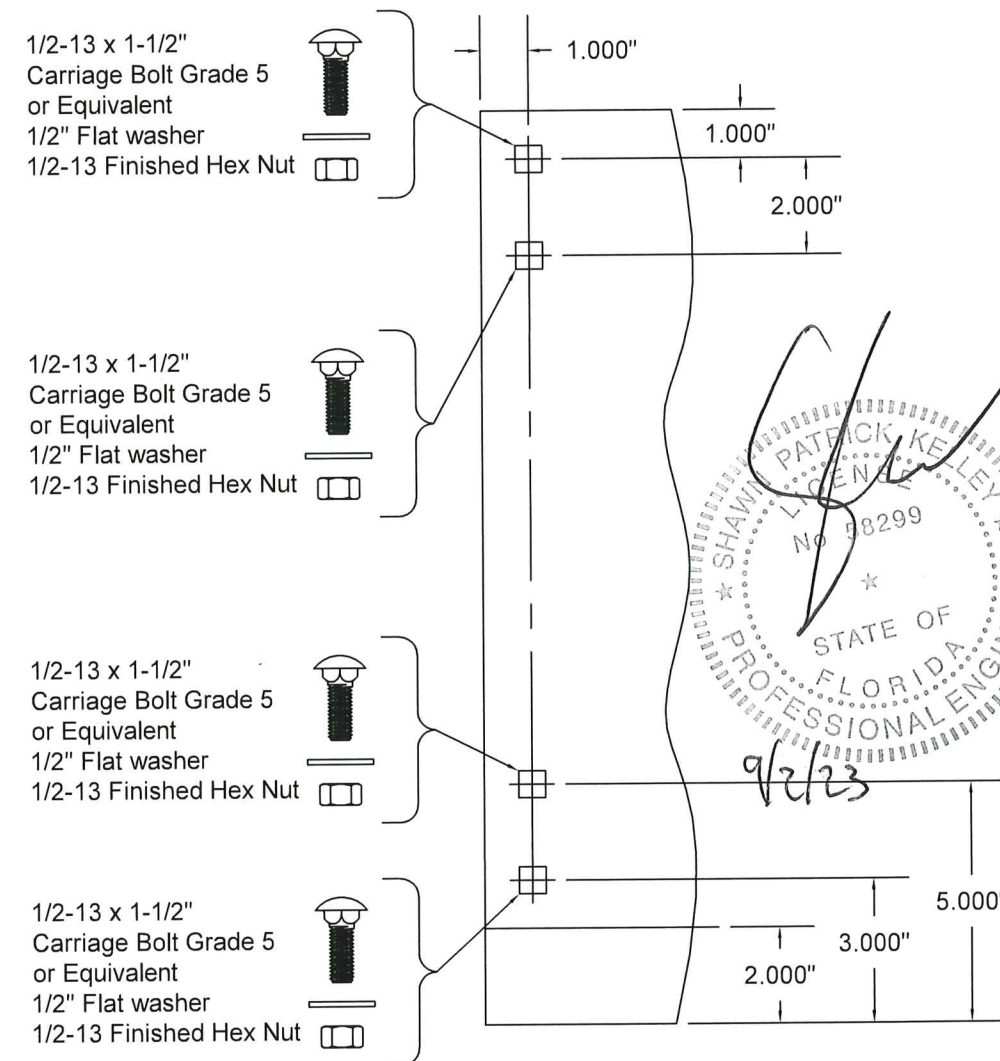


THRU 6"Ø SHAFT ASSEMBLY
 14" THRU 16" COIL DIMENSION
 MIN. THICKNESS 0.172" ASTM A36 STEEL
 OR ASTM A480 STAINLESS STEEL,
 TYPES 304 OR 316, MIN. 36 KSI YIELD STRENGTH
 SCALE: 1-1/2" = 1'-0"

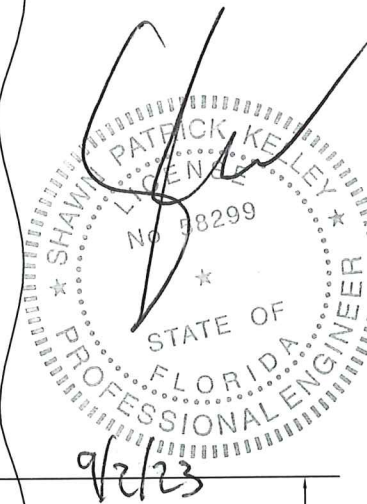
NOTE:
 1. WHEN A 8"Ø OR LARGER SHAFT ASSEMBLY IS PROVIDED,
 THERE IS A 2" EXTENSION ON THE BOTTOM OF THE BRACKET.
 2. A 1/2-13 x 1-1/2" GRADE 8 HEX BOLT WILL BE SUBSTITUTED
 FOR THE CARRIAGE BOLTS WHEN COIL BOX STRUCTURE IS
 REQUIRED.



THRU 10"Ø SHAFT ASSEMBLY
 ALL UNITS REQUIRING A COIL BOX STRUCTURE OR
 17" AND LARGER COIL DIMENSION
 MIN. THICKNESS 0.240" ASTM A36 STEEL
 OR ASTM A480 STAINLESS STEEL,
 TYPES 304 OR 316, MIN. 36 KSI YIELD STRENGTH
 SCALE: 1-1/2" = 1'-0"



12"Ø SHAFT ASSEMBLY
 17" AND LARGER COIL DIMENSION
 MIN. THICKNESS 0.240" ASTM A36 STEEL
 OR ASTM A480 STAINLESS STEEL,
 TYPES 304 OR 316, MIN. 36 KSI YIELD STRENGTH
 SCALE: 1-1/2" = 1'-0"



PRODUCT REVISED
 as complying with the Flor.
 Building Code
 Acceptance No. 23-1017.15
 Expiration Date 02/24/2027
 By: *[Signature]*
 Miami Door Product Control

CORNELL
 Innovative door solutions™

24 ELMWOOD AVE 1901 S. LITCHFIELD RD
 MOUNTAINTOP, PA GOODYEAR, AZ
 P: 800.233.8366
 F: 800.526.0841
 E: ADS@CORNELLIRON.COM

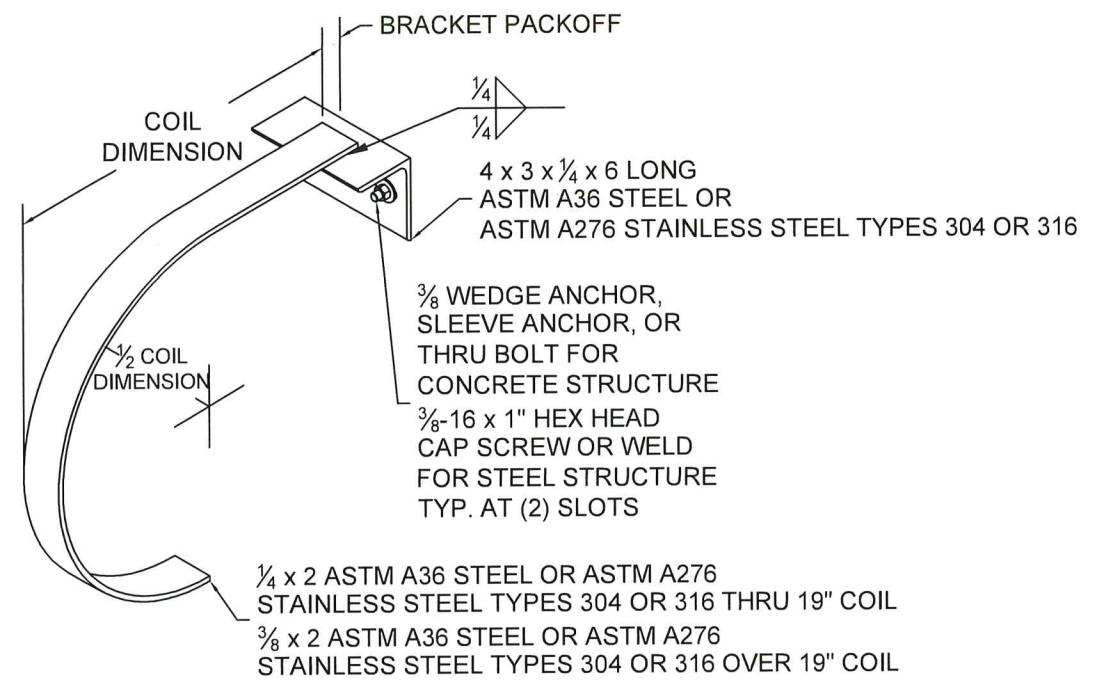
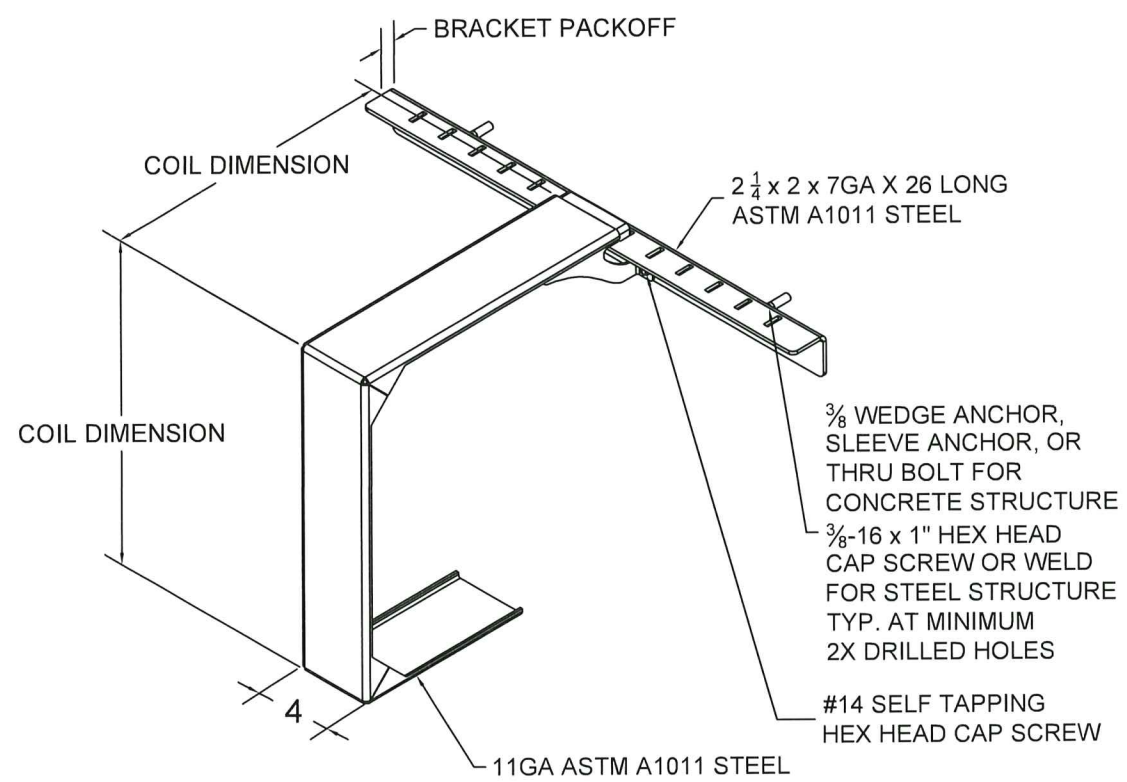
Unless otherwise specified,
 dimensions are in inches &
 tolerances are:

0.000 = +/- 0.031
 FRACTIONAL = +/- 1/32
 ANGLES = +/- 1/2 DEG

TITLE: WIND LOAD CONFIGURATION
 NON-INSULATED ROLLING STEEL DOOR
 (15'-5" WIDE, 50 PSF, 80 IMPACT)

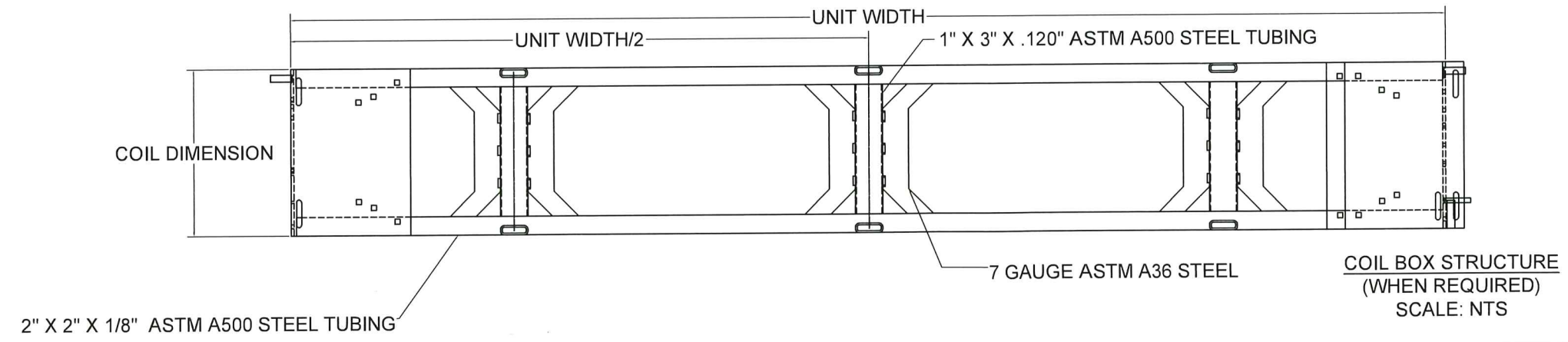
DRAWN BY: CJR	SIZE: B	SCALE: AS NOTED	SHEET: 6/8
DWG NO:			ES-16-102-CIW

L'TR	REVISION	DATE	BY	E.C.O.
*	ORIGINAL ISSUE	04/20/20	CJR	1997



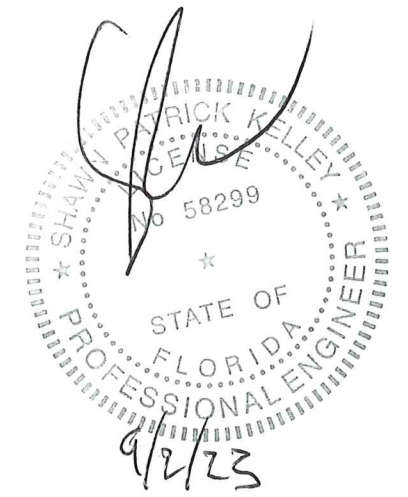
MID-HOOD SUPPORT
(WHEN REQUIRED)
SQUARE STYLE DEPICTED, "D" SHAPE ALSO AVAILABLE
SCALE: NTS

MID-HOOD SUPPORT
(WHEN REQUIRED)
"D" SHAPE DEPICTED, SQUARE STYLE ALSO AVAILABLE
SCALE: NTS



2" X 2" X 1/8" ASTM A500 STEEL TUBING

COIL BOX STRUCTURE
(WHEN REQUIRED)
SCALE: NTS



PRODUCT REVISED
as complying with the Florida
Building Code
Acceptance No 23-1017.15
Expiration Date 02/24/2027
By *[Signature]*
Miami Door Product Control



24 ELMWOOD AVE 1901 S. LITCHFIELD RD
MOUNTAINTOP, PA GOODYEAR, AZ
P: 800.233.8366
F: 800.526.0841
E: ADS@CORNELLIRON.COM

Unless otherwise specified,
dimensions are in inches &
tolerances are:

0.000 = +/- 0.031
FRACTIONAL = +/- 1/32
ANGLES = +/- 1/2 DEG

TITLE: WIND LOAD CONFIGURATION
NON-INSULATED ROLLING STEEL DOOR
(15'-5" WIDE, 50PSF, 80 IMPACT)

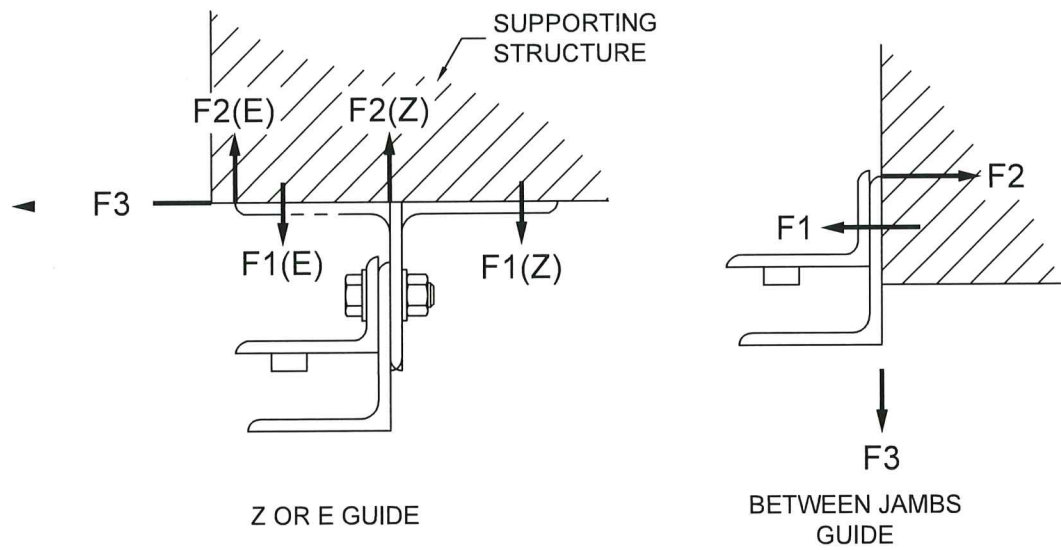
DRAWN BY: CJR	SIZE: B	SCALE: AS NOTED	SHEET: 7/8
DWG NO: ES-16-102-CIW			

L'TR	REVISION	DATE	BY	E.C.O.
*	ORIGINAL ISSUE	04/20/20	CJR	1997

CP0020 - GALVANIZED OR STAINLESS STEEL																
									Concrete Minimum 3000psi Compressive Strength Concrete (anchors are the same diameter as assembly fasteners)							
Configuration	Minimum Thickness	Maximum Pressure	Windlock Flat Location	Slip	Windlock	Windlock Weld Pitch	Assembly Fastener Diameter	Assembly Fastener Spacing	Hilti Kwik Bolt 3				Simpson Wedge All			
									Max O.C.	Embed	Min Wall Thick	Edge Dist.	Max O.C.	Embed	Min Wall Thick	Edge Dist.
546	0.0405"	50 PSF	1.75"	0.865"	CP1214 & CP1513	8"	5/8"	18"	8"	4-3/8"	8"	7-5/8"	8"	4-1/2"	6-3/4"	7-5/8"

Configuration	Concrete (cont.)				Filled CMU			Steel (Wall anchors are the same diameter as assembly fasteners)				
	ITW Redhead Trubolt				Hilti Kwik HUS-EZ			Welded		Through Bolt	Tapped	
	Max O.C.	Embed	Min Wall Thick	Edge Dist.	Max O.C.	Embed	Edge Dist.	Max O.C.	Slot Size	Max O.C.	Max O.C.	Min Thickness
546	8"	4-5/8"	8"	7-5/8"	8"	5"	7-5/8"	14"	11/16" x 7/8"	14"	14"	3/8"

UNREDUCED WIND FORCES ON BUILDING STRUCTURE (LBS/FOOT OF HEIGHT)					
Z-GUIDE					
POSITIVE			NEGATIVE		
F1	F2	F3	F1	F2	F3
1650	1256	1374	2645	3038	1374
E-GUIDE					
POSITIVE			NEGATIVE		
F1	F2	F3	F1	F2	F3
5482	5089	1374	5492	5885	1374
BETWEEN JAMBS GUIDE					
POSITIVE			NEGATIVE		
F1	F2	F3	F1	F2	F3
3109	1736	394	5552	4179	394
BUILDING DESIGNER NOTE					
STRUCTURE MUST BE DESIGNED TO SUPPORT F1, F2, AND F3 FORCES (LBS/FT OF OPENING HEIGHT) AT EACH JAMB					



PRODUCT REVISED
 as complying with the Florida
 Building Code
 Acceptance No. 23-1017.15
 Expiration Date 02/24/2027
 By Kelly A. Allen
 Miami Door Product Control

	24 ELMWOOD AVE 1901 S. LITCHFIELD RD MOUNTAINTOP, PA GOODYEAR, AZ P: 800.233.8366 F: 800.526.0841 E: ADS@CORNELLIRON.COM	Unless otherwise specified, dimensions are in inches & tolerances are: 0.000 = +/- 0.031 FRACTIONAL = +/- 1/32 ANGLES = +/- 1/2 DEG
	TITLE: WIND LOAD CONFIGURATION NON-INSULATED ROLLING STEEL DOOR (15'-5" WIDE, 50PSF, 80 IMPACT)	DRAWN BY: CJR SIZE: B SCALE: AS NOTED SHEET: 8/8 DWG NO: ES-16-102-CIW