



DEPARTMENT OF REGULATORY AND ECONOMIC RESOURCES (RER)  
BOARD AND CODE ADMINISTRATION DIVISION

**NOTICE OF ACCEPTANCE (NOA)**

MIAMI-DADE COUNTY  
PRODUCT CONTROL SECTION  
11805 SW 26 Street, Room 208  
Miami, Florida 33175-2474  
T (786) 315-2590 F (786) 315-2599  
[www.miamidade.gov/economy](http://www.miamidade.gov/economy)

**Wayne Dalton a Div. of Overhead Door Corporation**  
**3395 Addison Drive**  
**Pensacola, FL 32514**

**SCOPE:** This NOA is being issued under the applicable rules and regulations governing the use of construction materials. The documentation submitted has been reviewed and accepted by Miami-Dade County RER-Product Control Section to be used in Miami-Dade County and other areas, where allowed by the Authority Having Jurisdiction (AHJ).

This NOA shall not be valid after the expiration date stated below. The Miami-Dade County Product Control Section (In Miami-Dade County) and/ or the AHJ (in areas other than Miami-Dade County) reserve the right to have this product or material tested for quality assurance purposes. If this product or material fails to perform in the accepted manner, the manufacturer will incur the expense of such testing and the AHJ may immediately revoke, modify, or suspend the use of such product or material within their jurisdiction. RER reserves the right to revoke this acceptance if it is determined by Miami-Dade County Product Control Section that this product or material fails to meet the requirements of the applicable building code.

This product is approved as described herein and has been designed to comply with the Florida Building Code, including the High Velocity Hurricane Zone.

**DESCRIPTION: Models 6600/8300/8350/8500/8600/5150/5200 Insulated Steel Sectional Garage Door up to 9ft.-2in. Wide with Optional Impact Resistant Glazing (DP +46.0, -52.0 PSF)**

**APPROVAL DOCUMENT:** Drawing No. **D-365439**, titled "Windload Models **6600/8300/8350/8500/8600/5150/5200**, +46/-52 PSF Dade County, 9'2" Max. Width", sheets 1 through 4 of 4, dated 10/28/2021, prepared by Overhead Door Corporation, signed and sealed by Dwayne J. Kornish, P.E., on 02/29/24 bearing the Miami-Dade County Product Control Revision stamp with the NOA number and Revision date by the Miami-Dade County Product Control Section.

**MISSILE IMPACT RATING: Large and Small Missile Impact Resistant**

**LABELING:** A permanent label with the manufacturer's name or logo, manufacturing addresses in Pensacola, FL or Mt. Hope, OH, model number, the positive and negative design pressure rating, indicate impact rated if applicable, installation instruction drawing reference number, approval number (NOA), the applicable test standards, and the statement reading 'Miami-Dade County Product Control Approved' is to be located on the door's sidetrack, bottom angle, or inner surface of a panel.

**LIMITATION: This door has not been tested for air infiltration.**

**RENEWAL** of this NOA shall be considered after a renewal application has been filed and there has been no change in the applicable building code negatively affecting the performance of this product.

**TERMINATION** of this NOA will occur after the expiration date or if there has been a revision or change in the materials, use, and/ or manufacture of the product or process. Misuse of this NOA as an endorsement of any product, for sales, advertising or any other purposes shall automatically terminate this NOA. Failure to comply with any section of this NOA shall be cause for termination and removal of NOA.

**ADVERTISEMENT:** The NOA number preceded by the words Miami-Dade County, Florida, and followed by the expiration date may be displayed in advertising literature. If any portion of the NOA is displayed, then it shall be done in its entirety.

**INSPECTION:** A copy of this entire NOA shall be provided to the user by the manufacturer or its distributors and shall be available for inspection at the job site at the request of the Building Official.

This NOA **revises NOA #22-0315.04** and consists of this page 1 and evidence submitted pages E-1 and E-2, as well as approval document mentioned above.

The submitted documentation was reviewed by **Helmy A. Makar, P.E., M.S.**



*Helmy A. Makar*  
03/14/24

NOA-No. 23-1120.15  
Expiration Date: 08/04/2027  
Approval Date: 03/14/2024

**Overhead Door Corporation**

**NOTICE OF ACCEPTANCE: EVIDENCE SUBMITTED**

**A. DRAWINGS**

1. Drawing No. **D-365439**, titled "Windload Models **6600/8300/8350/8500/8600/5150/5200**, +46/-52 PSF Dade County, 9'2" Max. Width", sheets 1 through 4 of 4, dated 10/28/2021, prepared by Overhead Door Corporation, signed and sealed by Junfeng Qian, P.E. on 03/10/2022.

**B. TESTS**

1. Test reports on 1) Uniform Static Air Pressure Test, Loading per FBC TAS 202-94  
2) Large Missile Impact Test per FBC, TAS 201-94  
3) Cyclic Wind Pressure Loading per FBC, TAS 203-94  
4) Forced Entry Test, per FBC, TAS 202-94  
5) Tensile Test per ASTM E8  
along with marked-up drawings of a 9'-2" Wide Models **6600/8300/8350/8500/8600/5150/5200** Sectional Garage Doors, prepared by Intertek, Test Report No. **L7618.01-801-18-R0**, dated 02/23/2022, signed and sealed by Tyler Westerling, P.E.
2. Test report on Standard Test Method for Evaluation of Painted or Coated Specimens Subjected to Corrosive Environments per ASTM D1654-08(2016)-e1 and Standard Practice for Operating Salt Spray (Fog) Apparatus per ASTM B117-16 and on garage door exterior steel, prepared by Intertek, Report No. **J4650.02-106-18 R0**, dated 05/24/2019, signed by Gary T. Hartman, P.E. (*Submitted under NOA#20-1106.11*)

**C. CALCULATIONS**

1. Anchorage verification calculations prepared by Overhead Door Engineering, dated 03/04/2022, signed and sealed by Junfeng Qian, P.E.

**D. QUALITY ASSURANCE**

1. Miami-Dade Department of Regulatory and Economic Resources (RER).

**E. MATERIAL CERTIFICATIONS**

1. Test report on Ignition Temperatures of Plastic per ASTM D1929-16 on BASF Corp. Elastopor P19670R polyurethane foam insulation, prepared by QAI Laboratories, Inc., Test Report No. **RJ6431F-1**, dated 09/28/2018, signed by Bryan Ortega.
2. Test report on Surface Burning Characteristics of Building Materials per ASTM E84-18b on BASF Corp. Elastopor P19670R polyurethane foam insulation, prepared by QAI Laboratories, Inc., Test Report No. **RJ6648F-4**, dated 12/12/2018, signed by Bryan Ortega.
3. Notice of Acceptance No. **18-0918.06**, issued to Plaskolite, LLC, for their TUFFAK Polycarbonate Sheets, approved on 11/15/2018 and expiring on 08/27/2022.

**F. STATEMENTS**

1. Statement letter of code conformance to the 7<sup>th</sup> edition (2020) FBC, issued by Overhead Door Corporation, dated 03/07/2022, signed and sealed by Junfeng Qian, P.E.
2. No financial interest letter issued by Overhead Door Corporation, dated 03/07/2022, signed and sealed by Junfeng Qian, P.E.



Helmy A. Makar, P.E., M.S.  
Product Control Section Supervisor  
NOA-No. 23-1120.15  
Expiration Date: 08/04/2027  
Approval Date: 03/14/2024



**Overhead Door Corporation**

**NOTICE OF ACCEPTANCE: EVIDENCE SUBMITTED**

**2. NEW EVIDENCE SUBMITTED**

**A. DRAWINGS**

1. *Drawing No. D-365439, titled "Windload Models 6600/8300/8350/8500/8600/5150/5200, +46/-52 PSF Dade County, 9'2" Max. Width", sheets 1 through 4 of 4, dated 10/28/2021, prepared by Overhead Door Corporation, signed and sealed by Dwayne J. Kornish, P.E., on 02/29/24.*

**B. TESTS**

1. *None.*

**C. CALCULATIONS**

1. *None.*

**D. QUALITY ASSURANCE**


1. *Miami-Dade Department of Regulatory and Economic Resources (RER).*

**E. MATERIAL CERTIFICATIONS**

1. *None.*

**F. STATEMENTS**

1. *Statement letter of code conformance to the 8<sup>th</sup> edition (2023) FBC, issued by Overhead Door Corporation, dated 01/25/2024, signed and sealed by Dwayne J. Kornish, P.E., on 01/29/24.*

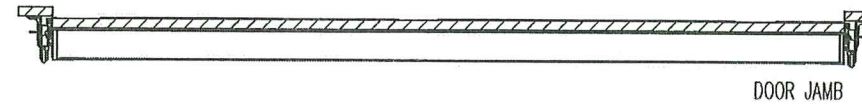
  
\_\_\_\_\_  
Helmy A. Makar, P.E., M.S.  
Product Control Section Supervisor  
NOA-No. 23-1120.15  
Expiration Date: 08/04/2027  
Approval Date: 03/14/2024



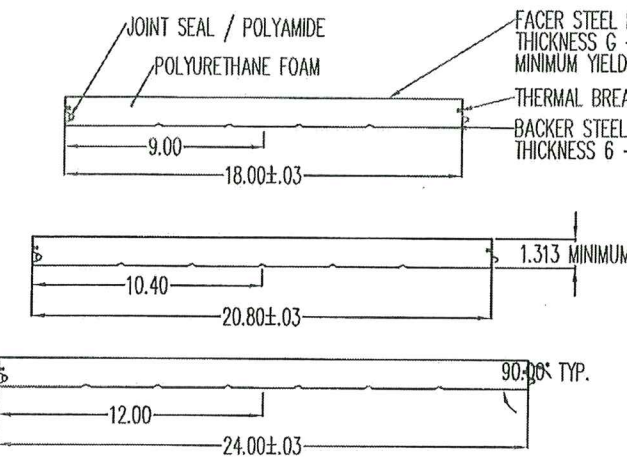
NOTES: (UNLESS OTHERWISE SPECIFIED)

1. RATED DESIGN LOAD +46/-52 PSF.
2. SECTION HEIGHTS MAY VARY TO CREATE VARIOUS DOOR HEIGHTS, 24" MAXIMUM SECTION HEIGHT.
3. FOAMSTOP OR JAMB SEAL ON ALL JAMBS REQUIRED TO MEET NEGATIVE DESIGN PRESSURES NAILED 6" O.C..
4. TESTED IN ACCORDANCE WITH DADE COUNTY PROTOCOLS TAS 201-94, TAS 202-94, & TAS 203-94.
5. DOOR SKIN MUST BE 50,000 PSI MIN. YIELD STRENGTH.
6. JAMB LOAD CALCULATIONS:  
 $(1/2 \text{ DOOR WIDTH})(1 \text{ FT OF HEIGHT})(\text{DESIGN PRESSURE})$   
 $(6.067)(1 \text{ FOOT})(46.00 \text{ AND } -52.00) = (279.08 / -315.48) \text{ LB}$
7. JAMB FASTENER REQUIREMENTS:  
 $F_x = (1/2 \text{ DOOR WIDTH})(1 \text{ FT OF HEIGHT})(\text{DESIGN PRESSURE})$   
 $F_y = 280 \text{ LBS.}$
8. DOOR SKIN MATERIAL SHALL BE GALVANIZED ACCORDING TO ASTM A-525 TO G40 MIN, WITH BAKED-ON PRIMER, AND BAKED-ON POLYESTER PAINT TOP COAT.
9. FOR ANCHORING INTO WOOD, USE ONE 5/16" LAG SCREW PER TRACK BRACKET WITH 1-1/2" EMBEDMENT INTO SOUTHERN PINE (G=0.55) OR BETTER.
10. WELD SLOT ON ANGLE 3/32" X 1" LONG ON 12" CENTERS. IF WELDING MOUNTING OPTION IS CHOSEN.
11. LIFT UP MECHANISM-MANUAL, CHAIN LIFT, OR OPERATOR IS NOT PART OF THIS APPROVAL.
12. STANDARD LIFT, HIGH LIFT, VERTICAL LIFT, AND LOW HEADROOM TRACK IS AVAILABLE. FOR LOW HEADROOM LIFT CONDITIONS TOP BRACKET SHALL BE 13 GA LHR 7/4 TOP BRACKET WITH A MIN OF (3) 1/4 - 14 X 7/8" SELF DRILLING CRIMPITITE SCREWS IN LIEU OF THE BRACKET SHOWN ON DRAWING. U-BAR ON TOP SECTION SHALL BE INSTALLED ON TOP OF LHR TOP BRACKETS.
13. ATTACH STRUTS WITH (2) 1/4-14x7/8" SELF DRILLING CRIMPITITE SCREWS AT ALL HINGE LOCATIONS AND (2) BETWEEN EACH INTERMEDIATE HINGE. TYP. STRUT LOCATED AT TOP AND/ OR AT BOTTOM OF SECTION.
14. KEY LOCK, OR SIDE LOCK REQUIRED.
15. IMPACT RESISTANT GLAZING OPTION- IMPACT RESISTANT GLAZING SYSTEM MAY BE INSTALLED IN ALL SECTIONS. GLAZING SHALL BE 1/4" POLYCARBONATE, 40 X 12-3/4" MAXIMUM SIZE. FASTENED WITH # 8 X 1" SMS, 5X MAX ALONG THE HORIZONTAL AND 3X MAX ALONG THE VERTICAL. SEE DETAIL F-F ON SHEET 2 FOR ASSEMBLY DETAILS.
16. THE DESIGN OF THE SUPPORTING STRUCTURAL ELEMENTS SHALL BE THE RESPONSIBILITY OF THE PROFESSIONAL OF RECORD FOR THE BUILDING OR STRUCTURE AND IN ACCORDANCE WITH CURRENT BUILDING CODES FOR THE LOADS LISTED ON THIS DRAWING.
17. A 4-1/2" X 6" X 22 GA BACKER PLATE IS TO BE LOCATED AT EVERY INTERMEDIATE AND OUTER END HINGE LOCATIONS.
18. COMPLIES WITH THE REQUIREMENTS OF IBC/IRC 2018.

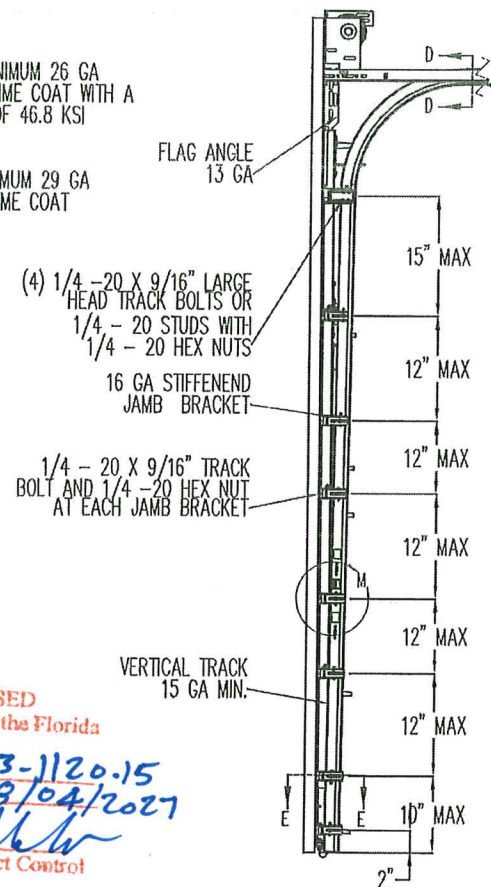
REVISIONS				
ER	REV	DESCRIPTION	DATE	APVL
ER	-	NEW DRAWING	10/28/21	JQ
	A	ADDED OPTION CODE TO TB	3/21/23	SW



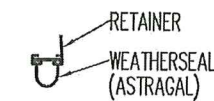
SECTION B-B  
SCALE 1 : 12



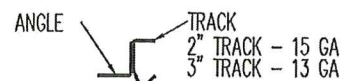
SECTION A-A  
SCALE 1 : 4



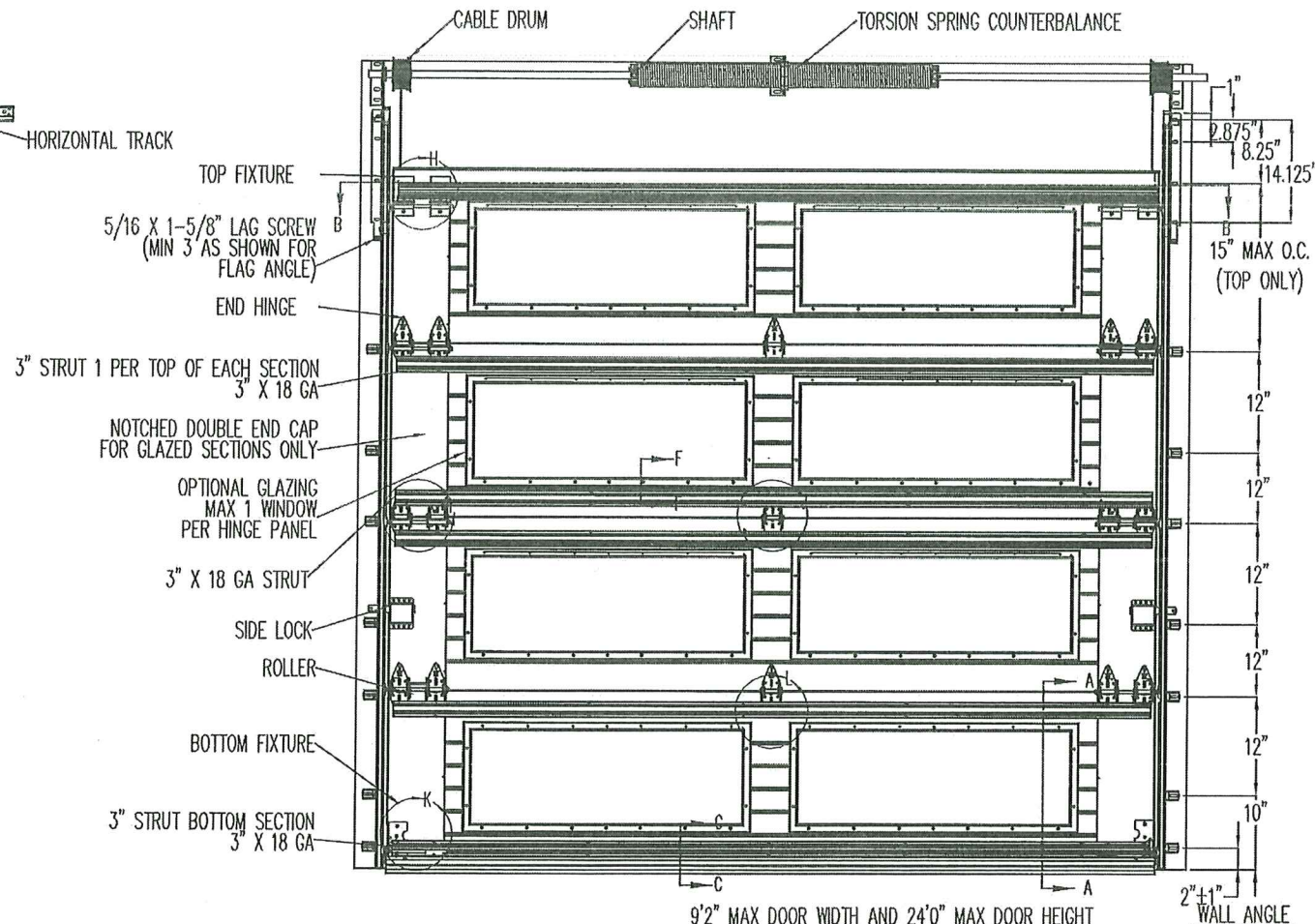
PRODUCT REVISED  
 as complying with the Florida  
 Building Code  
 Acceptance No. 23-1120-15  
 Expiration Date 08/04/2027  
 By *Heidi A. Miller*  
 Miami Code Product Control



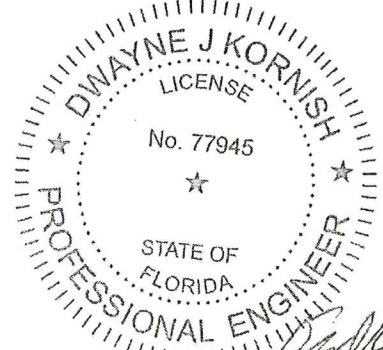
SECTION C-C  
SCALE 1 : 4



SECTION D-D  
SCALE 1 : 4



9'2" MAX DOOR WIDTH AND 24'0" MAX DOOR HEIGHT  
 WALL ANGLE HOLE SPACING

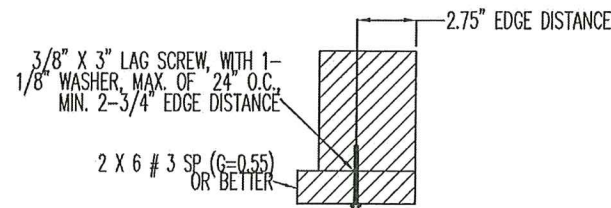


DWAYNE J. KORNISH, PE  
 4576 COUNTY ROAD 160  
 MOUNT HOPE, OHIO  
 FL PE 77945 TX PE 117868

PROFESSIONAL ENGINEER'S SEAL PROVIDED ONLY FOR  
 VERIFICATION OF WINDLOAD CONSTRUCTION DETAILS.

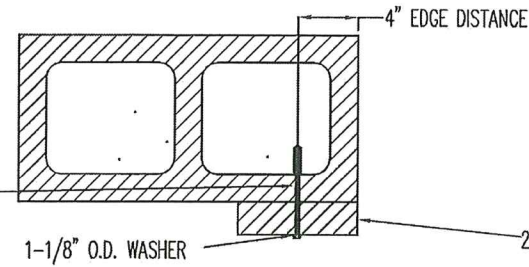
UNLESS OTHERWISE SPECIFIED		APPROVALS		DATE	
INTERPRET DIMS & TOLS PER ASME Y14.5M ALL DIMS ARE IN INCHES DO NOT SCALE DIMS CIRCLED WITH SYMBOL ARE CRITICAL TO QUALITY DESIGN FEATURES & MUST MEET APPLICABLE IN-PROCESS INSPECTION STANDARDS.	TOLERANCES: .X = ±.1 .XX = ±.03 .XXX = ±.010 ANGULAR = ±.5° HOLES: < Ø.251 = +.004/-0.003 Ø.251-Ø.500 = +.006/-0.003 > Ø.500 = +.008/-0.003 ALL GEOMETRY GOVERNED BY 3D CAD DATABASE:	DRAWN	J. QIAN	10/28/21	<b>Wayne Dalton</b> GARAGE DOORS PENSACOLA, FLORIDA
		CHECKED	D. KORNISH	10/28/21	
		APPROVED	-	-	SIZE DWG NO. D D-365439
		MATERIAL	-	-	REV A
		FINISH	-	-	SCALE 1:12 UOM = EA SHEET 1 OF 4



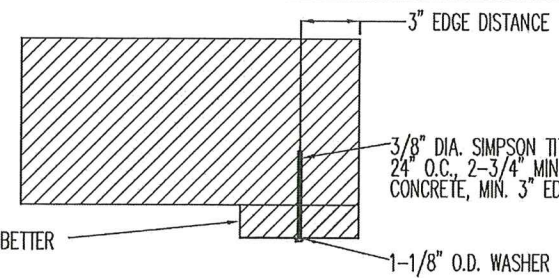


WOOD MOUNTED TO # 3 SOUTHERN PINE SUBSTRATE

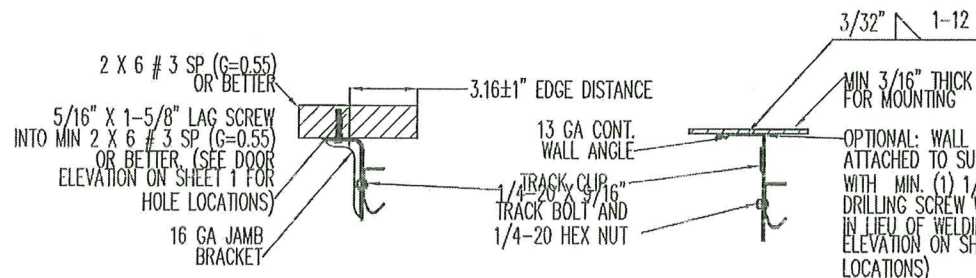
3/8" DIA. SIMPSON TITEN HD FASTENER, MAX. OF 18" O.C., 2-3/4" MIN. EMBED INTO MIN. 1500 PSI GROUT FILLED CMU, MIN. 4" EDGE DISTANCE



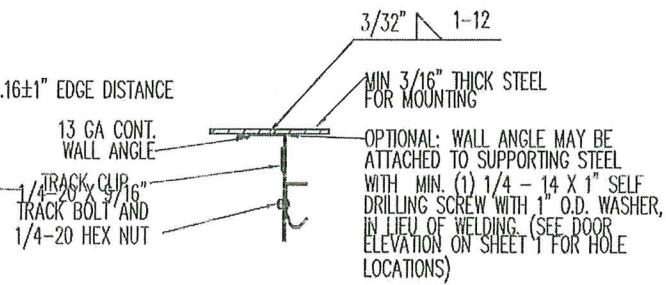
WOOD MOUNTED TO GROUT FILLED MASONRY BLOCK DETAIL



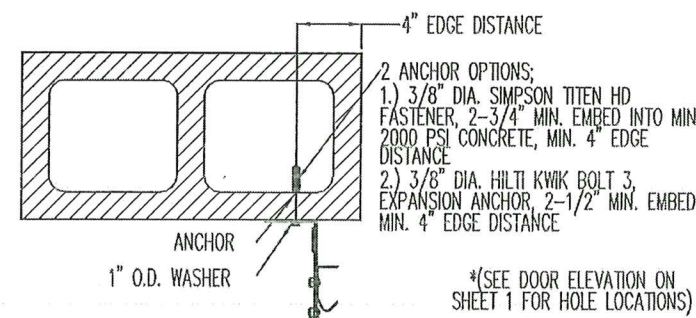
WOOD MOUNTED TO 2000 PSI CONCRETE DETAIL



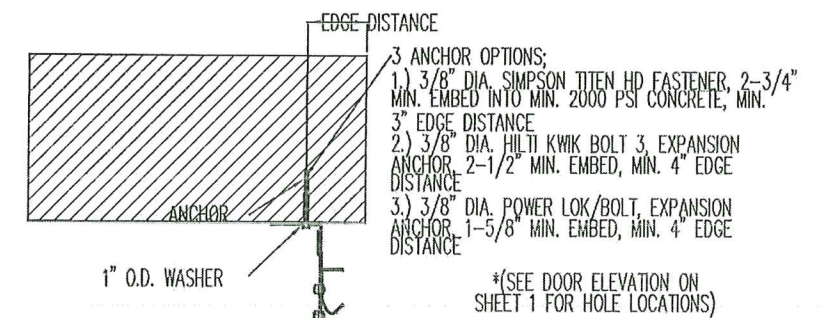
MOUNTING TO WOOD JAMB DETAIL



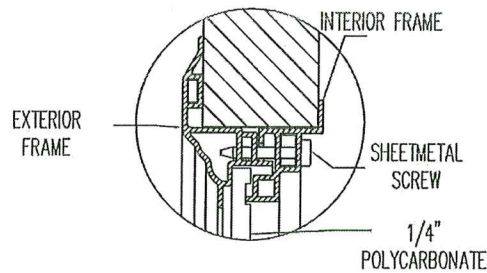
MOUNTING TO STEEL JAMB DETAIL



MOUNTING TO GROUT FILLED MASONRY BLOCK DETAIL

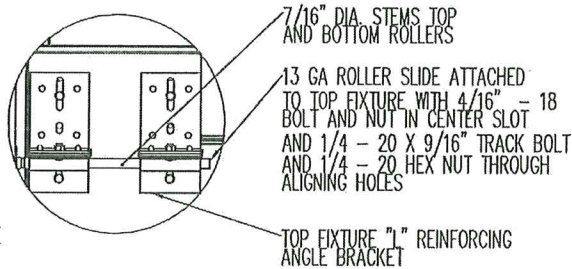


MOUNTING TO 2000 PSI CONCRETE DETAIL

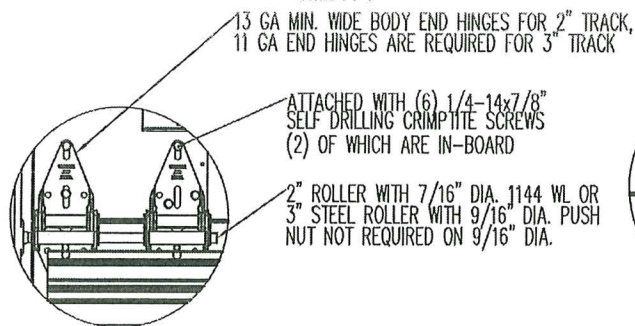


WINDOW DETAIL

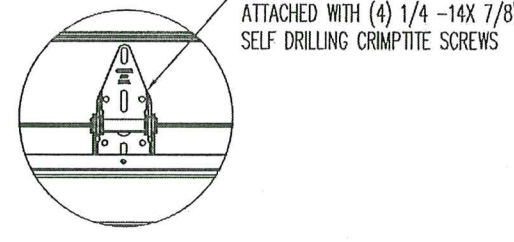
SECTION F-F SCALE 1:4



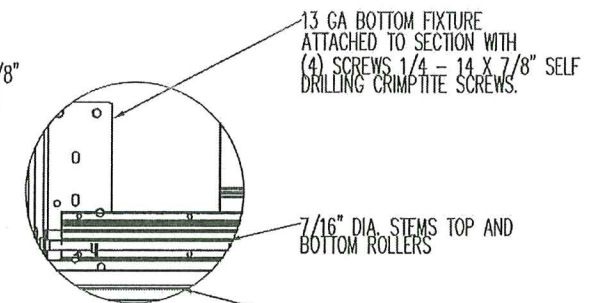
DETAIL H SCALE 1:4



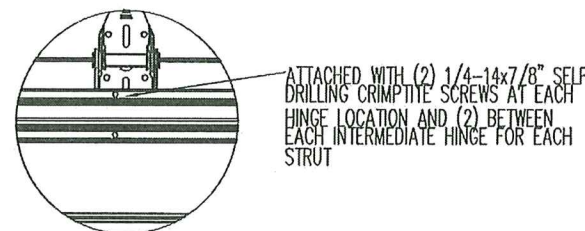
DETAIL I SCALE 1:4



DETAIL J SCALE 1:4

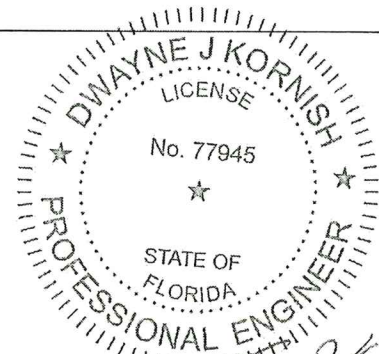


DETAIL K SCALE 1:4



DETAIL L SCALE 1:4

IMPACT FRAME SIZE	DAYLIGHT OPENING (DLO)	SCREW QTY
19.2 X 15.3	15 X 11	10
19.8 X 16.8	15.75 X 12.75	10
40 X 12.8	35.8 X 8.6	14
42 X 16.8	37.8 X 12.75	14
41.2 X 7.1	37 X 3	12
44.1 X 15.5	40.13 X 11.25	16



DWAYNE J. KORNISH, PE  
4576 COUNTY ROAD 160  
MOUNT HOPE, OHIO  
FL PE 77945 TX PE 117868

PROFESSIONAL ENGINEER'S SEAL PROVIDED ONLY FOR VERIFICATION OF WINDLOAD CONSTRUCTION DETAILS.

PRODUCT REVISED as complying with the Florida Building Code  
Acceptance No. 23-1120.15  
Expiration Date 08/16/2027  
By: *[Signature]*  
Miami Dade Product Control

A DIVISION OF OVERHEAD DOOR CORP  
3395 ADDISON DRIVE  
PENSACOLA, FLORIDA 32514  
(850)-474-9890

UNLESS OTHERWISE SPECIFIED  
INTERPRET DIMS & TOLS PER ASME Y14.5M  
ALL DIMS ARE IN INCHES  
DO NOT SCALE  
DIM'S CIRCLED WITH SYMBOL ARE CRITICAL TO QUALITY DESIGN FEATURES & MUST MEET APPLICABLE IN-PROCESS INSPECTION STANDARDS.

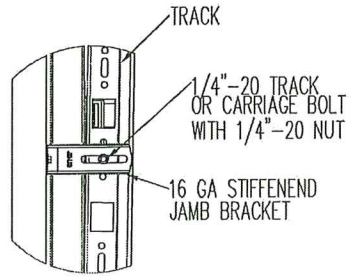
TOLERANCES:  
.X = ±.1  
.XX = ±.03  
.XXX = ±.010  
ANGULAR = ±.5°  
HOLES:  
< Ø.251 = +.004/-0.003  
Ø.251-Ø.500 = +.006/-0.003  
> Ø.500 = +.008/-0.003  
ALL GEOMETRY GOVERNED BY 3D CAD DATABASE:

APPROVALS DATE  
DRAWN J. QIAN 10/28/21  
CHECKED D. KORNISH 10/28/21  
APPROVED  
MATERIAL  
FINISH  
Wayne Dalton GARAGE DOORS PENSACOLA, FLORIDA  
DESCRIPTION  
WINDLOAD MODELS 6600/8300/8350/8500/8600 /5150/5200, +46/-52 PSF, 2606 DADE COUNTY, 9'2" MAX WIDTH  
SIZE DWG NO. D-365439  
REV A  
SCALE 1:12 UOM = EA SHEET 2 OF 4

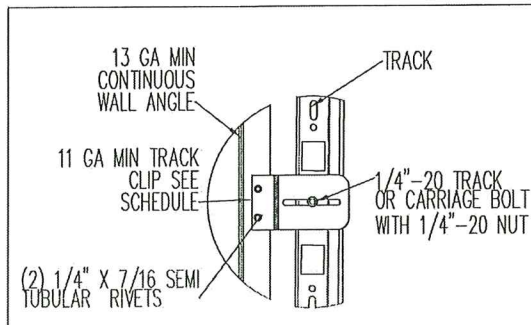


NOTES: (UNLESS OTHERWISE SPECIFIED)

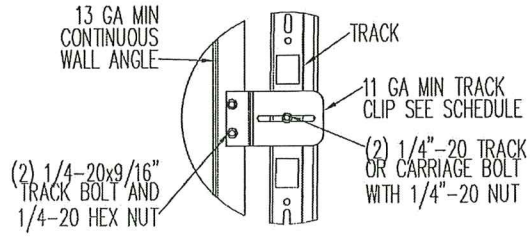
1. ONE 4" STRUT PER SECTION, AND ONE 3" STRUT PER BOTTOM SECTION, ATTACHED WITH 1/4"-14x7/8" SELF DRILLING CRIMPITE SCREWS.



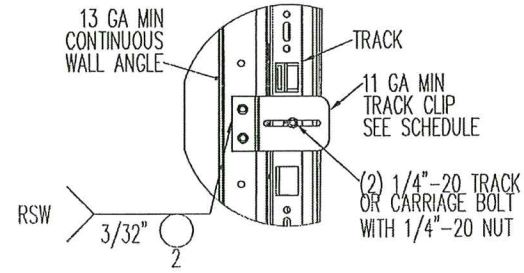
TYPICAL TRACK AND JAMB FASTENERS DETAIL



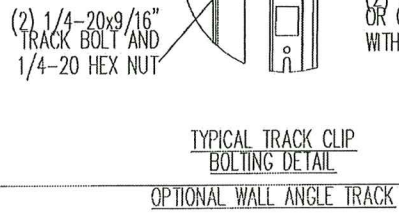
TYPICAL TRACK CLIP RIVETING DETAIL



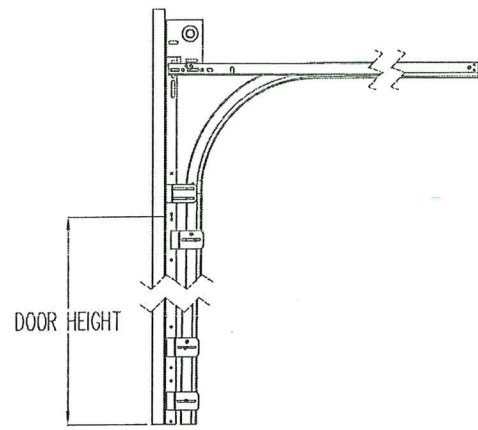
TYPICAL TRACK CLIP BOLTING DETAIL



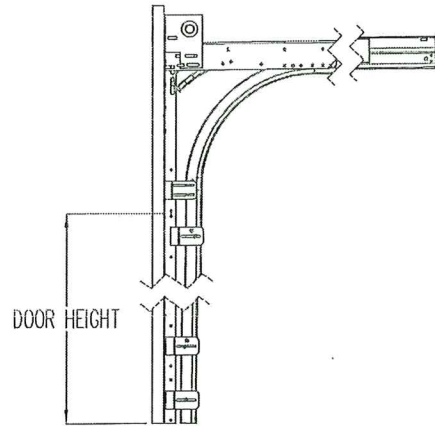
TYPICAL TRACK CLIP WELDING DETAIL



OPTIONAL WALL ANGLE TRACK

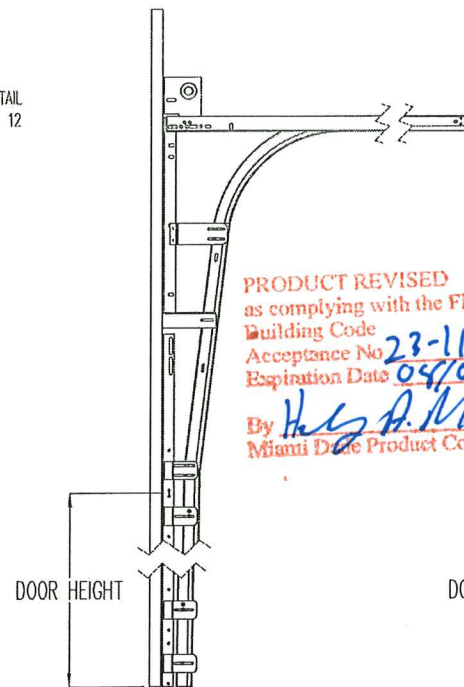


STANDARD LIFT TRACK DETAIL

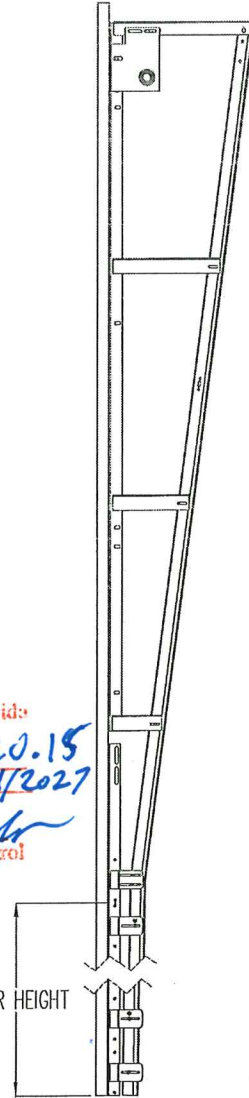


LOW HEADROOM TRACK DETAIL

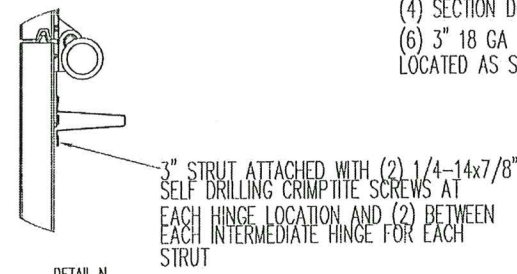
TRACK DETAIL SCALE 1:12



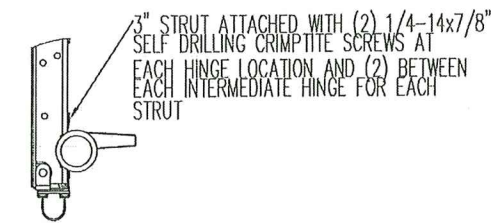
HIGH LIFT TRACK DETAIL



VERTICAL LIFT TRACK DETAIL



DETAIL N SCALE 1:4



DETAIL O SCALE 1:4

PRODUCT REVISED as complying with the Florida Building Code Acceptance No. 23-1120.15 Expiration Date 04/04/2027 By Holly D. Miller Miami Dade Product Control

DWAYNE J. KORNISH, PE  
 LICENSE No. 77945  
 STATE OF FLORIDA  
 PROFESSIONAL ENGINEER  
 DWAYNE J. KORNISH, PE  
 4576 COUNTY ROAD 160  
 MOUNT HOPE, OHIO  
 FL PE 77945 TX PE 117868  
 PROFESSIONAL ENGINEER'S SEAL PROVIDED ONLY FOR VERIFICATION OF WINDLOAD CONSTRUCTION DETAILS.

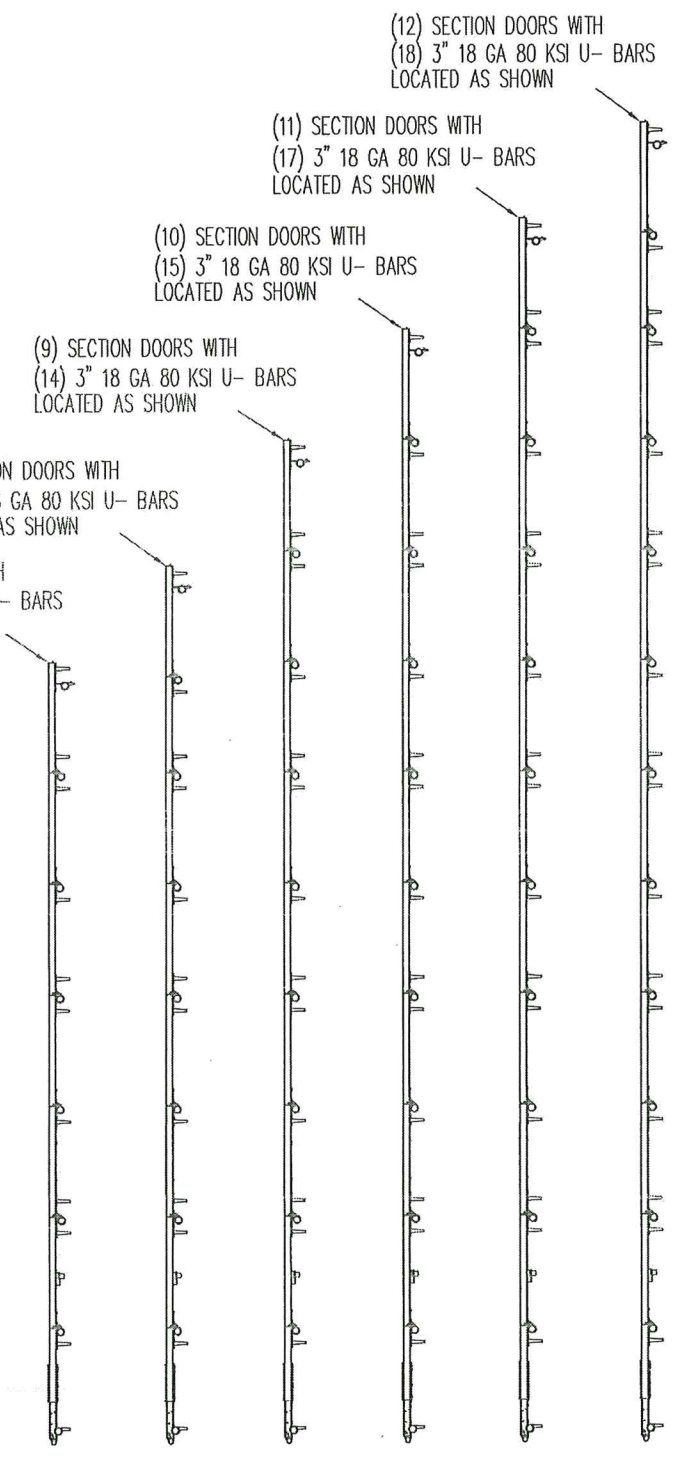
THIRD ANGLE PROJECTION  
  
 A DIVISION OF OVERHEAD DOOR CORP  
 3395 ADDISON DRIVE  
 PENSACOLA, FLORIDA 32514  
 (850)-474-9890

UNLESS OTHERWISE SPECIFIED  
 INTERPRET DIMS & TOLS PER ASME Y14.5M  
 ALL DIMS ARE IN INCHES  
 DO NOT SCALE  
 DIMS CIRCLED WITH SYMBOL ARE CRITICAL TO QUALITY DESIGN FEATURES & MUST MEET APPLICABLE IN-PROCESS INSPECTION STANDARDS.

TOLERANCES:  
 .X = ±.1  
 .XX = ±.03  
 .XXX = ±.010  
 ANGULAR = ±.5°  
 HOLES:  
 < 0.251 = +.004/-0.003  
 0.251-0.500 = +.006/-0.003  
 > 0.500 = +.008/-0.003  
 ALL GEOMETRY GOVERNED BY 3D CAD DATABASE:

APPROVALS DATE  
 DRAWN J. QIAN 10/28/21  
 CHECKED D. KORNISH 10/28/21  
 APPROVED -  
 MATERIAL -  
 FINISH -

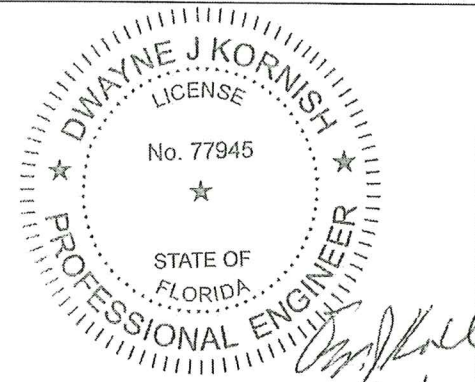
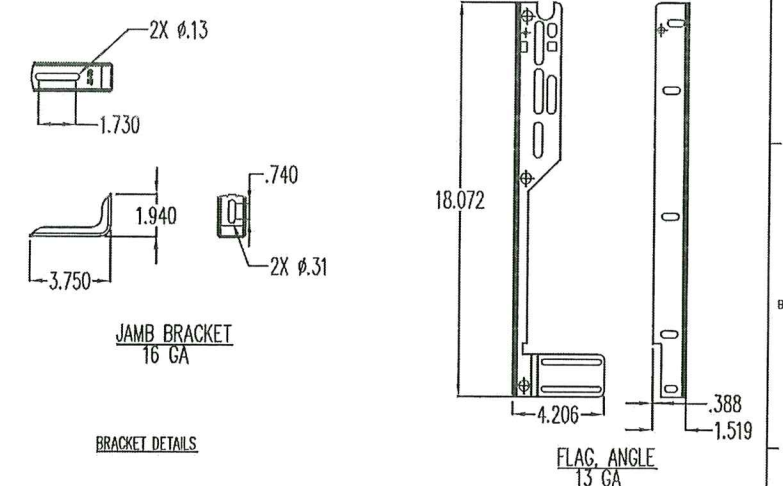
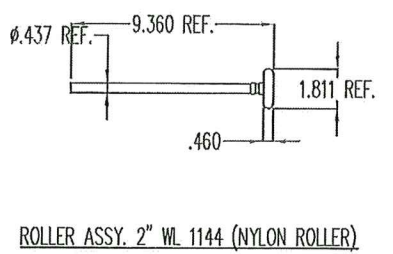
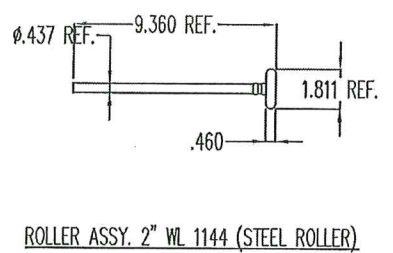
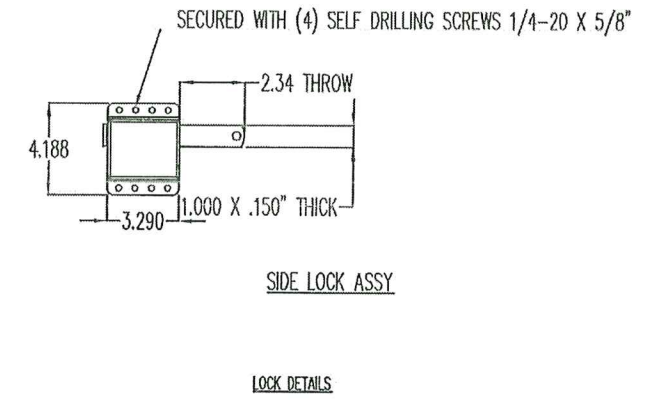
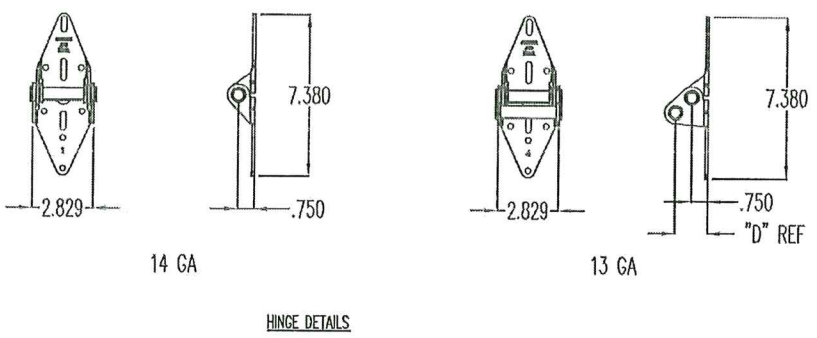
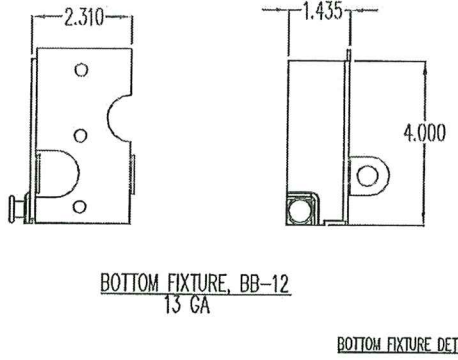
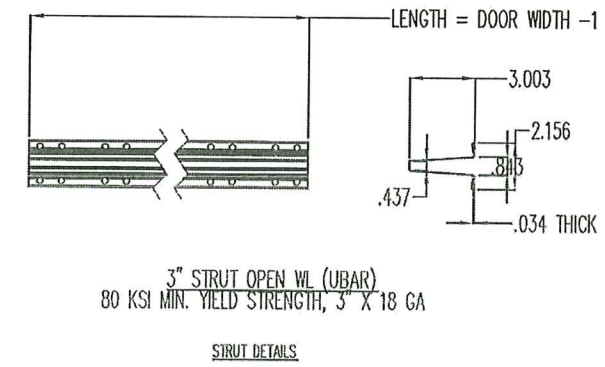
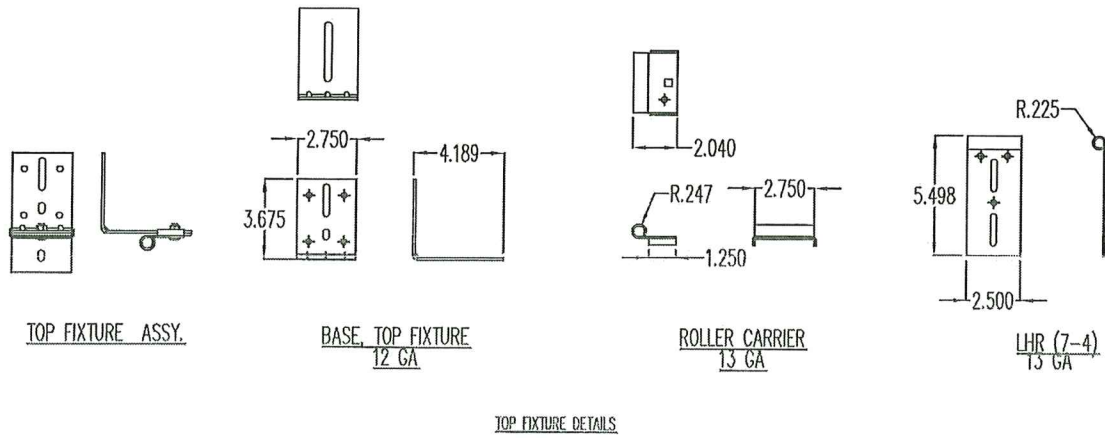
Wayne Dalton PENSACOLA, FLORIDA  
 DESCRIPTION  
 WINDLOAD MODELS 6600/8300/8350/8500/8600/5150/5200, +46/-52 PSF, DADE COUNTY, 9'-2" MAX WIDTH  
 SIZE DWG NO. REV  
 D D-365439 A  
 SCALE 1:12 UOM = EA SHEET 3 OF 4



STRUT LOCATIONS SCALE 1:20



NOTES: (UNLESS OTHERWISE SPECIFIED)  
 1. FOR DIMENSIONS AND NOTE REFERENCES, REFER TO INDIVIDUAL DRAWINGS.



DWAYNE J. KORNISH, PE  
 4576 COUNTY ROAD 160  
 MOUNT HOPE, OHIO  
 FL PE 77945 TX PE 117868

**PRODUCT REVISED**  
 as complying with the Florida Building Code  
 Acceptance No. 23-1120.15  
 Expiration Date 05/09/2027  
 By Hedy A. Walker  
 Miami Dade Product Control

A DIVISION OF OVERHEAD DOOR CORP  
 3395 ADDISON DRIVE  
 PENSACOLA, FLORIDA 32514  
 (850)-474-9890

UNLESS OTHERWISE SPECIFIED  
 INTERPRET DIMS & TOLS PER ASME Y14.5M  
 ALL DIMS ARE IN INCHES  
 DO NOT SCALE  
 DIMS CIRCLED WITH SYMBOL ARE CRITICAL TO QUALITY DESIGN FEATURES & MUST MEET APPLICABLE IN-PROCESS INSPECTION STANDARDS.

TOLERANCES:  
 .X = ±.1  
 .XX = ±.03  
 .XXX = ±.010  
 ANGULAR = ±.5'  
 HOLES:  
 < Ø.251 = +.004/-0.003  
 Ø.251-Ø.500 = +.006/-0.003  
 > Ø.500 = +.008/-0.003  
 ALL GEOMETRY GOVERNED BY 3D CAD DATABASE:

APPROVALS	DATE
DRAWN J. QIAN	10/28/21
CHECKED D. KORNISH	10/28/21
APPROVED	
MATERIAL	
FINISH	

Wayne Dalton PARADE DOORS		PENSACOLA, FLORIDA	
DESCRIPTION WINDLOAD MODELS 6600/8300/8350/8500/8600/5150/5200, +46/-52 PSF, 2606 DADE COUNTY, 9'2" MAX WIDTH			
SIZE	DWG NO.	REV	
D	D-365439	A	
SCALE 1:12	UOM =	SHEET 4 OF 4	