



DEPARTMENT OF REGULATORY AND ECONOMIC RESOURCES (RER)  
BOARD AND CODE ADMINISTRATION DIVISION

**NOTICE OF ACCEPTANCE (NOA)**

MIAMI-DADE COUNTY  
PRODUCT CONTROL SECTION  
11805 SW 26 Street, Room 208  
Miami, Florida 33175-2474  
T (786) 315-2590 F (786) 315-2599  
[www.miamidade.gov/economy](http://www.miamidade.gov/economy)

**Wayne Dalton a Div. of Overhead Door Corporation**  
**3395 Addison Drive**  
**Pensacola, FL 32514**

**SCOPE:** This NOA is being issued under the applicable rules and regulations governing the use of construction materials. The documentation submitted has been reviewed and accepted by Miami-Dade County RER-Product Control Section to be used in Miami Dade County and other areas where allowed by the Authority Having Jurisdiction (AHJ). This NOA shall not be valid after the expiration date stated below. The Miami-Dade County Product Control Section (In Miami Dade County) and/or the AHJ (in areas other than Miami Dade County) reserve the right to have this product or material tested for quality assurance purposes. If this product or material fails to perform in the accepted manner, the manufacturer will incur the expense of such testing and the AHJ may immediately revoke, modify, or suspend the use of such product or material within their jurisdiction. RER reserves the right to revoke this acceptance if it is determined by Miami-Dade County Product Control Section that this product or material fails to meet the requirements of the applicable building code.

This product is approved as described herein and has been designed to comply with the Florida Building Code, including the High Velocity Hurricane Zone.

**DESCRIPTION: Series 800 Steel Roll-up Door up to 16'-0" Wide with Optional Insulated Slats**

**APPROVAL DOCUMENT:** Drawing No. **035-0032**, titled "Series 800 Service Door, HVHZ, +/-47 PSF Design Up To 16' Wide x 30' High, sheets 1 and 2 of 2, dated 10/26/2006, with revision C dated 05/11/2018, prepared by the Wayne Dalton, signed and sealed by Mark A. Sawicki, P.E. on 08/03/2018, bearing the Miami-Dade County Product Control revision stamp with the Notice of Acceptance number and expiration date by the Miami-Dade County Product Control Section.

**MISSILE IMPACT RATING: Large and Small Missile Impact Resistant**

**LABELING:** A permanent label with the manufacturer's name or logo, manufacturing address, model number, the positive and negative design pressure rating, indicate impact rated if applicable, installation instruction drawing reference number, approval number (NOA), the applicable test standards, and the statement reading 'Miami-Dade County Product Control Approved' is to be located on the door's side track, bottom angle, or inner surface of a panel.

**RENEWAL** of this NOA shall be considered after a renewal application has been filed and there has been no change in the applicable building code negatively affecting the performance of this product.

**TERMINATION** of this NOA will occur after the expiration date or if there has been a revision or change in the materials, use, and/or manufacture of the product or process. Misuse of this NOA as an endorsement of any product, for sales, advertising or any other purposes shall automatically terminate this NOA. Failure to comply with any section of this NOA shall be cause for termination and removal of NOA.

**LIMITATION:** Roll-up mechanism is not part of this approval.

**ADVERTISEMENT:** The NOA number preceded by the words Miami-Dade County, Florida, and followed by the expiration date may be displayed in advertising literature. If any portion of the NOA is displayed, then it shall be done in its entirety.

**INSPECTION:** A copy of this entire NOA shall be provided to the user by the manufacturer or its distributors and shall be available for inspection at the job site at the request of the Building Official.

This NOA **revises NOA # 21-1216.03** and consists of this page 1 and evidence pages E-1 and E-2, as well as approval document mentioned above.

The submitted documentation was reviewed by **Sifang Zhao, P.E.**



*S.Z.*

04/18/2024

**NOA No. 23-1129.09**  
**Expiration Date: January 11, 2027**  
**Approval Date: April 18, 2024**

**Wayne Dalton a Div. of Overhead Door Corporation**

**NOTICE OF ACCEPTANCE: EVIDENCE SUBMITTED**

**1. Evidence submitted under previous NOA's**

**A. DRAWINGS “Submitted under NOA # 16-1222.05”**

1. Drawing No. **035-0032**, titled “Series 800 Service Door, HVHZ, +/-47 PSF Design Up To 16’ Wide x 30’ High, sheets 1 and 2 of 2, dated 10/26/2006, with revision B dated 11/16/2016, prepared by the Wayne Dalton, signed and sealed by Mark A. Sawicki, P.E. on 03/10/2017.

**B. TESTS “Submitted under NOA # 16-1222.05”**

1. Addendum letter to Test Report No. **F7666.01-109-18**, dated 02/28/2017, signed and sealed by Joseph A. Reed, P.E.
2. Test reports on 1) Uniform Static Air Pressure Test, Loading per FBC TAS 202-94  
2) Large Missile Impact Test per FBC, TAS 201-94  
3) Cyclic Wind Pressure Loading per FBC, TAS 203-94  
4) Forced Entry Test, per FBC, TAS 202-94  
along with marked-up drawings and installation diagram of a Series/Model 800 Rolling Steel Doors, prepared by Intertek/ATI, Test Report No. **F7666.01-109-18**, dated 10/07/2016, signed and sealed by Charles L. Anderson, P.E.
3. Test report on Salt Fog Spray per ASTM B117 of G-90 Galvanized Steel and G-40 Galvanized Steel with Prime Coat, prepared by Environmental Testing Laboratory, Inc., Test Report #12732, dated 06/22/2013, signed by Brady Richard.

**“Submitted under NOA # 06-1101.07”**

4. Test report on Ignition Temperature Test per ASTM D1929 on polyurethane foam insulation, prepared by Southwest Research Institute, Test Report # **01.11850.01.418**, dated 02/27/2006 and signed by G. M. Miller.
5. Test report on Large Missile Impact Test per FBC, TAS 201-94, Cyclic Wind Pressure Test per FBC, TAS 203-94, Uniform Static Air Pressure Test per FBC, TAS 202-94 and Tensile Test per ASTM E8 on “Series/Model 822 Rolling Steel Slat Door” Prepared by Architectural Testing, Test Report # **01-46387.01**, dated 11/14/2003, signed and sealed by Joseph A. Reed, P.E.
6. Test report on Surface Burning Characteristics Test per ASTM E84 on polyurethane foam insulation, prepared by Southwest Research Institute, Test Report # **01.03048.01.193c**, dated 04/28/2000 and signed by A. B. Wenzel.

**C. CALCULATIONS “Submitted under NOA # 16-1222.05”**

1. Wall anchor calculations prepared by Wayne Dalton, dated 11/18/2016 and 03/10/2017, both signed and sealed by Mark A. Sawicki, P.E.

**“Submitted under NOA # 06-1101.07”**

2. Calculations for attachment of guide to steel, concrete or masonry jamb, prepared by the manufacturer, sheets 1 through 4, signed and sealed by David L. Monsour, P.E., on 10/26/2006.

**D. QUALITY ASSURANCE**

1. Miami-Dade Department of Regulatory and Economic Resources (RER)



---

**Sifang Zhao, P.E.**  
**Product Control Examiner**  
**NOA No. 23-1129.09**  
**Expiration Date: January 11, 2027**  
**Approval Date: April 18, 2024**

**NOTICE OF ACCEPTANCE: EVIDENCE SUBMITTED**

**E. MATERIAL CERTIFICATIONS**

1. None.

**F. STATEMENTS “Submitted under NOA #16-0119.03”**

1. Statement letter of code conformance to the 5<sup>th</sup> edition (2014) FBC issued by Wayne Dalton, dated 05/04/2016, signed and sealed by David L. Monsour, P.E.
2. Statement letter of code conformance to 2010 FBC issued by the Wayne Dalton, dated 01/27/2012, signed and sealed by David L. Monsour, P.E. “Submitted under NOA # 11-1202.01”
3. No financial interest letter issued by Wayne Dalton Corporation on 10/24/2006, signed by David L. Monsour, P.E. “Submitted under NOA # 06-1101.07”

**2. Evidence submitted under NOA # 18-0815.07 and newer**

**A. DRAWINGS**

1. Drawing No. **035-0032**, titled “Series 800 Service Door, HVHZ, +/-47 PSF Design Up To 16’ Wide x 30’ High, sheets 1 and 2 of 2, dated 10/26/2006, with revision C dated 05/11/2018, prepared by the Wayne Dalton, signed and sealed by Mark A. Sawicki, P.E. on 08/03/2018. “Submitted under NOA # 18-0815.07”

**B. TESTS**

1. Test report on Surface Burning Characteristics Test per ASTM E84-12 on Elastopor P19670R Polyurethane Foam Insulation, prepared by QAI Laboratories, Test Report # **RJ1980-3**, dated 07/20/2012 and signed by Greg Banasky. “Submitted under NOA # 18-0815.07”

**C. CALCULATIONS**

1. None.

**D. QUALITY ASSURANCE**

1. Miami-Dade Department of Regulatory and Economic Resources (RER)

**E. MATERIAL CERTIFICATIONS**

1. None.

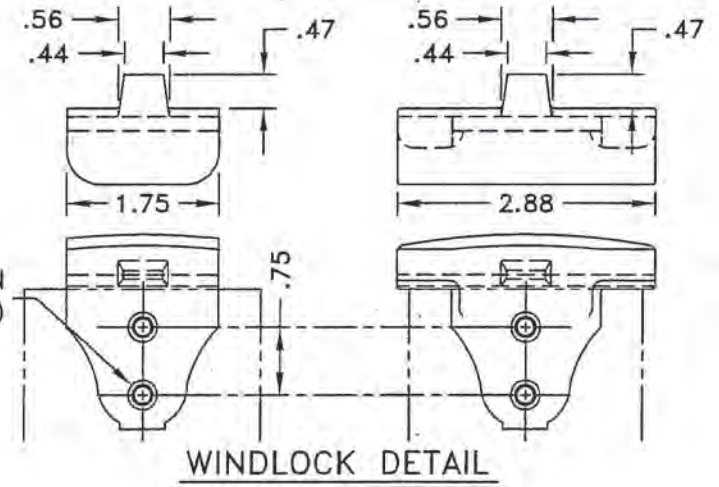
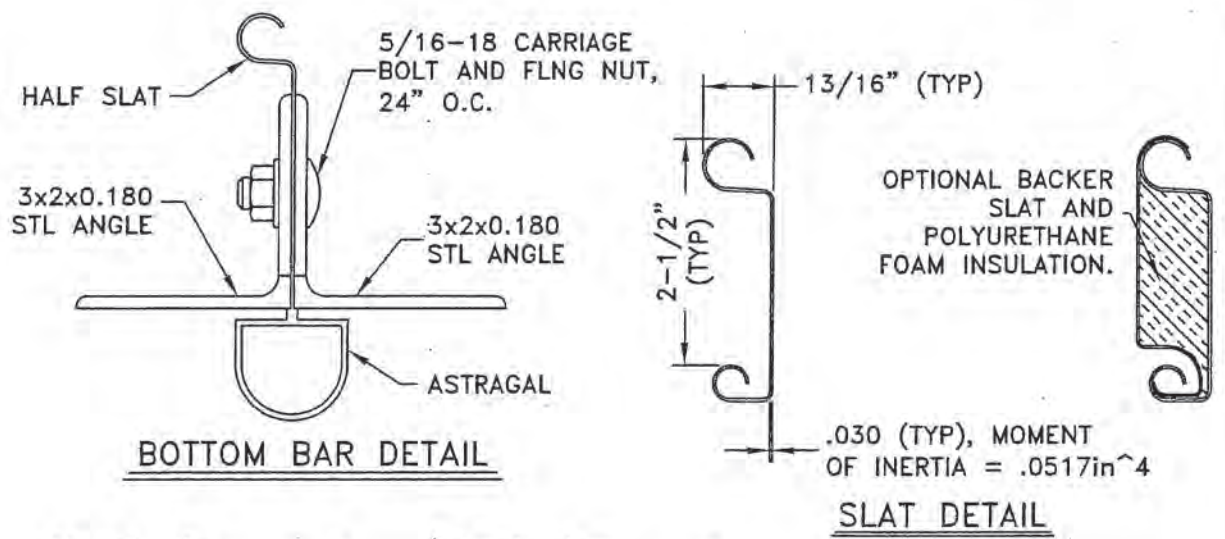
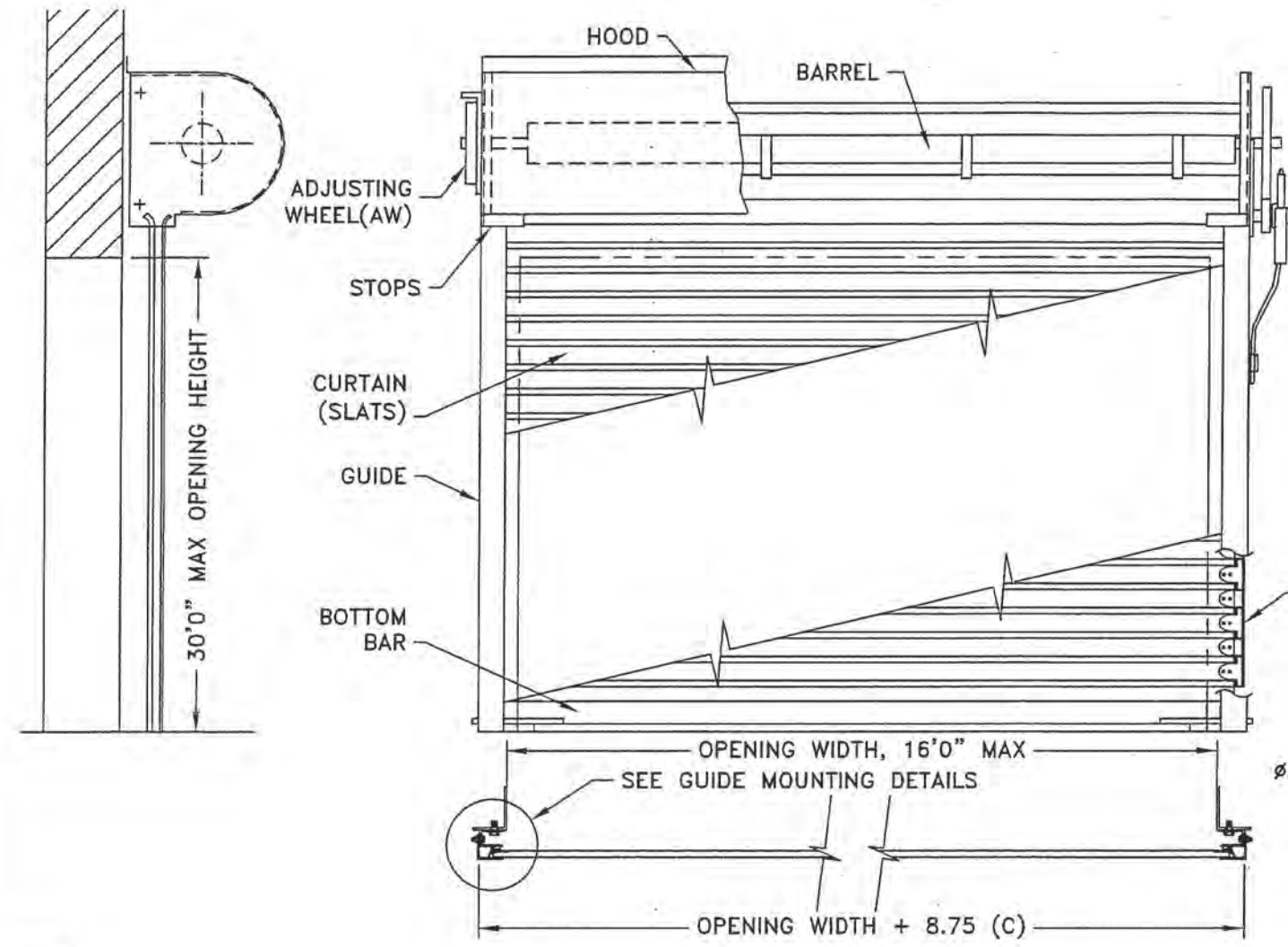
**F. STATEMENTS**

1. Statement letter of code conformance to the 6<sup>th</sup> edition (2017) FBC issued by Wayne Dalton, dated 08/03/2018, signed and sealed by Mark A. Sawicki, P.E. “Submitted under NOA # 18-0815.07”
2. Statement letter of code conformance to the 7<sup>th</sup> edition (2020) FBC issued by Wayne Dalton, dated 11/10/2020, signed and sealed by David L. Monsour, P.E. “Submitted under NOA # 20-1130.12”
3. Statement letter of code conformance to the 8<sup>th</sup> edition (2023) FBC issued by Wayne Dalton, dated 02/12/2024, signed and sealed by Dor Gamliel, P.E. “Submitted under NOA # 23-1129.09”



---

Sifang Zhao, P.E.  
Product Control Examiner  
NOA No. 23-1129.09  
Expiration Date: January 11, 2027  
Approval Date: April 18, 2024



**PRODUCT REVISED**  
as complying with the Florida Building Code  
NOA-No. 23-1129.09  
Expiration Date 01/11/2027  
By *[Signature]*  
Miami-Dade Product Control



**PRODUCT REVISED**  
as complying with the Florida Building Code  
NOA-No. 20-1130.12  
Expiration Date 01/11/2022  
By *[Signature]*  
Miami-Dade Product Control

Approved: MARK A. SAWICKI, P.E. FL # 72613  
2501 S. STATE HWY 121 SUITE 200  
LEWISVILLE, TX 75067

Date: \_\_\_\_\_

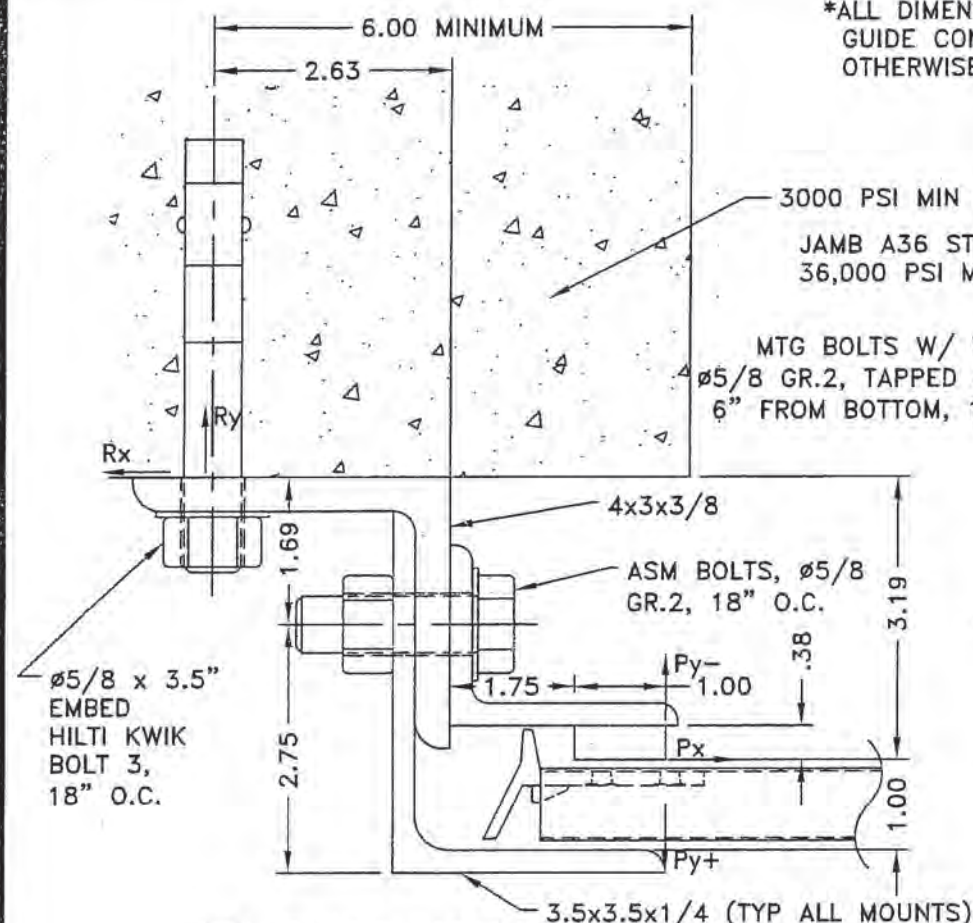
**NOTES:**

- DESIGN PRESSURE = ±47 PSF, TESTED IN ACCORDANCE WITH TAS 201, TAS 202, AND TAS 203 BY ARCHITECTURAL TESTING, INC. (YORK, PA)
- ALL WELDING TO CONFORM TO AMERICAN WELDING SOCIETY'S LATEST EDITION AND FLORIDA BUILDING CODE. USE A.W.S. A5.1 OR A5.5 E60XX ELECTRODES.
- THE CONTRACTOR SHALL ENSURE THAT THE WALL CAN SUPPORT THE JAMB FORCES INDICATED ON THIS DRAWING.
- WINDLOCKS ON BOTH ENDS OF ALL SLATS (CONTINUOUS).
- HOODS ARE 24GA GALVANIZED STEEL, STAINLESS STEEL, OR ALUMINUM.
- ALL GALVANIZING PER ASTM A 653. SHOP COAT OF RUST INHIBITIVE PRIMER ON NONGALVANIZED STEEL SURFACES.
- DOOR MAY BE LIFT UP, CRANK, HOIST, OR ELECTRIC OPERATION.
- CURTAIN IS .028 (22 GA) MIN STEEL PER ASTM A 653, GR.40, G90 GALVANIZED.
- GUIDE AND BOTTOM BAR ANGLES ARE STRUCTURAL STEEL PER ASTM A 36.
- TESTING PERFORMED ON A 16' WIDE X 10' HIGH DOOR (SHOWN), APPROVAL APPLIES TO DOORS UP TO 16' WIDE X UP TO 30' HIGH WITH COMPONENTS OF EQUAL OR GREATER STRENGTH AND SIZE.
- OPERATING MECHANISM NOT PART OF THIS APPROVAL MUST BE CERTIFIED BY AN INDEPENDANT THIRD PARTY.
- THIS DOOR IS CAPABLE OF INTERIOR OR EXTERIOR MOUNTING

REV.	REVD. BY	APPVD. BY	RELEASE	DESCRIPTION
C	DG 5/11/18	RO 5/11/18	ER 503991	UPDATE "c" DIMENSION PER ER
B	TJS 11/16/16	TB 11/16/16	ER 503497	UPDATE PRINT TO REFLECT LATEST TEST REPORT F7666.01-109-18
1	MED 12/18/06	DLM 12/18/06	PCR R-00424	REV TITLE BLOCK, REV NOTES, REV SLAT DETAIL, REV WINDLOCK DETAIL
REVISIONS				

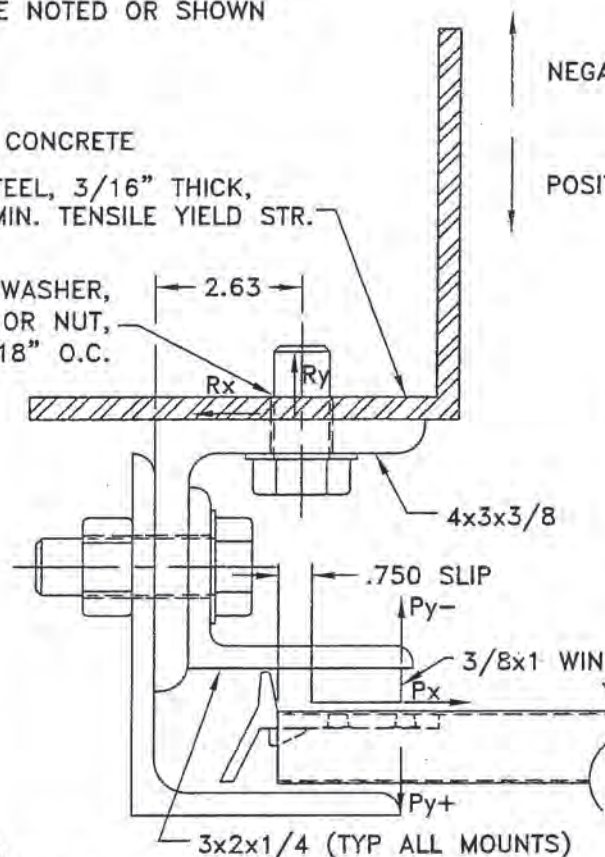
PART NUMBER	WEIGHT (LB.)	TITLE	DRAWN BY	CHECKED BY	APPVD. BY	TOLERANCES (UNLESS OTHERWISE SPECIFIED)	<p>Wayne Dalton Rolling Door Division 14512 Lincoln Way E. Dalton, Ohio 44618</p>
REFERENCE			M. DAUS		DLM	LINEAR .X ± .060	
PAGE 1 OF 2		DADE COUNTY TEST DOORS AND APPROVED MODIFICATIONS, SERIES 800 SERVICE DOOR, HVHZ, ±47 PSF DESIGN UP TO 16' WIDE x UP TO 30' HIGH	10/24/2006		10/26/2006	LINEAR .XX ± .030	
		MATERIAL	SCALE - WHEN THIS BOX IS .50" HIGH	ORIGINAL RELEASE		LINEAR .XXX ± .010	
		AS SHOWN	NONE	PCR R-00424		ANGULAR ± .50°	
						DIMENSIONS IN INCHES	
						SIZE	REVISION
						B	BC
						DRAWING NO.	
						035-0032	

\*ALL DIMENSIONS TYPICAL FOR ALL GUIDE CONFIGURATIONS UNLESS OTHERWISE NOTED OR SHOWN



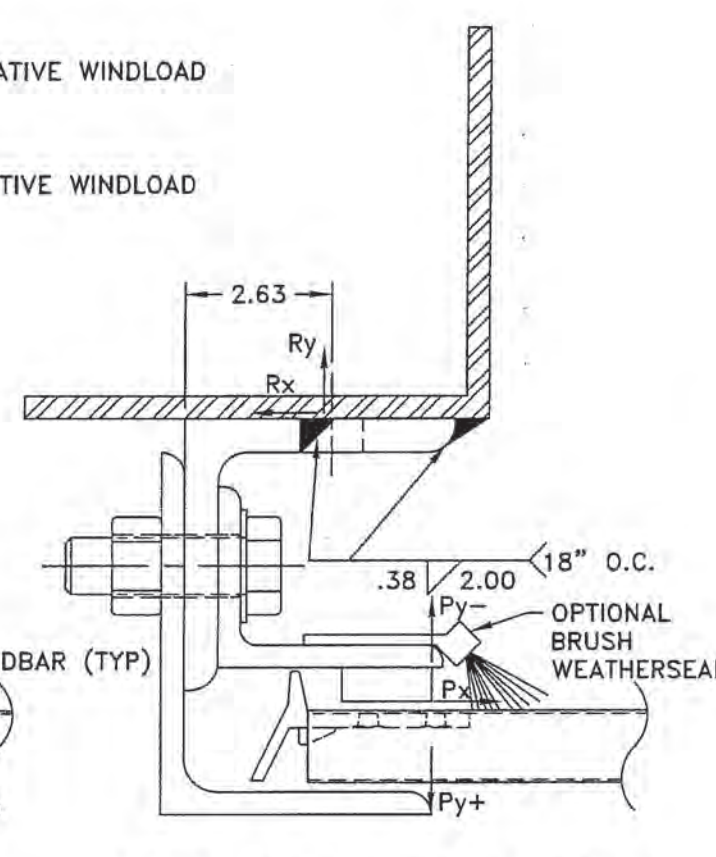
(Z) GUIDE MOUNTING DETAIL

GUIDES BOLTED TO CONCRETE JAMB



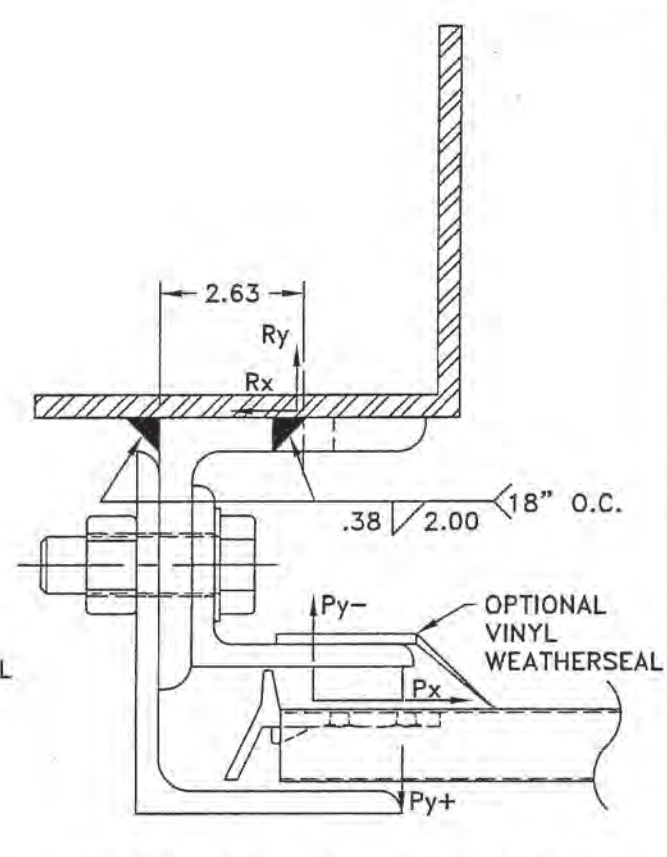
(E) GUIDE MOUNTING DETAIL

GUIDES BOLTED TO STEEL JAMB



(E) GUIDE MOUNTING DETAIL

GUIDES WELDED TO STEEL JAMB AT SLOT AND TOE



(E) GUIDE MOUNTING DETAIL

GUIDES WELDED TO STEEL JAMB AT SLOT AND HEEL

GUIDE TYPE	FORCE (lbs/ft)	
	POS WINDLOAD	NEG WINDLOAD
Z-GUIDE	Rx = 1319	Rx = 1319
	Ry = 1189	Ry = 1995
	Px = 1319	Px = 1319
	Py+ = 376	Py- = 376
E-GUIDE	Rx = 1319	Rx = 1319
	Ry = 3262	Ry = 2817
	Px = 1319	Px = 1319
	Py+ = 376	Py- = 376

**PRODUCT REVISED**  
as complying with the Florida Building Code  
NOA-No. 20-1130.12  
Expiration Date 01/11/2022  
By *[Signature]*  
Miami-Dade Product Control

**PRODUCT REVISED**  
as complying with the Florida Building Code  
NOA-No. 23-1129.09  
Expiration Date 01/11/2027  
By *[Signature]*  
Miami-Dade Product Control



Approved: MARK A. SAWICKI, P.E. FL # 72613  
2501 S. STATE HWY 121 SUITE 200  
LEWISVILLE, TX 75067

Date: \_\_\_\_\_

REV.	REVD. BY	APPVD. BY	RELEASE	DESCRIPTION
C	DG 5/11/18	RO 5/11/18	ER 503991	UPDATE "C" DIMENSION PER ER
B	TJS 11/16/16	TB 11/16/16	ER 503497	UPDATE PRINT TO REFLECT LATEST TEST REPORT F7666.01-109-18
1	MED 12/18/06	DLM 12/18/06	PCR R-00424	REV TITLE BLOCK, 7.5 CONCRETE SPACING WAS 8.75, REV GUIDE DETAILS
REVISIONS				

PART NUMBER	WEIGHT (LB.)	TITLE	DRAWN BY	CHECKED BY	APPVD. BY	TOLERANCES (UNLESS OTHERWISE SPECIFIED)	Wayne Dalton Rolling Door Division 14512 Lincoln Way E. Dalton, Ohio 44618
		DADE COUNTY TEST DOORS AND APPROVED MODIFICATIONS, SERIES 800 SERVICE DOOR, HVHZ, ±47 PSF DESIGN UP TO 16' WIDE x UP TO 30' HIGH	M. DAUS 10/24/2006		DLM 10/26/2006	LINEAR .X ± .060 LINEAR .XX ± .030 LINEAR .XXX ± .010 ANGULAR ± .50° DIMENSIONS IN INCHES	
REFERENCE	PAGE 2 OF 2	MATERIAL	SCALE - WHEN THIS BOX IS .50" HIGH	ORIGINAL RELEASE	PCR R-00424		
		AS SHOWN	NONE				
						SIZE	REVISION
						B	035-0032 BC