



DEPARTMENT OF REGULATORY AND ECONOMIC RESOURCES (RER)
 BOARD AND CODE ADMINISTRATION DIVISION
NOTICE OF ACCEPTANCE (NOA)

MIAMI-DADE COUNTY
 PRODUCT CONTROL SECTION
 11805 SW 26 Street, Room 208
 Miami, Florida 33175-2474
 T (786) 315-2590 F (786) 315-2599
www.miamidade.gov/economy

Wayne Dalton a Div. of Overhead Door Corporation
3395 Addison Drive
Pensacola, FL 32514

SCOPE: This NOA is being issued under the applicable rules and regulations governing the use of construction materials. The documentation submitted has been reviewed and accepted by Miami-Dade County RER-Product Control Section to be used in Miami Dade County and other areas where allowed by the Authority Having Jurisdiction (AHJ). This NOA shall not be valid after the expiration date stated below. The Miami-Dade County Product Control Section (In Miami Dade County) and/or the AHJ (in areas other than Miami Dade County) reserve the right to have this product or material tested for quality assurance purposes. If this product or material fails to perform in the accepted manner, the manufacturer will incur the expense of such testing and the AHJ may immediately revoke, modify, or suspend the use of such product or material within their jurisdiction. RER reserves the right to revoke this acceptance if it is determined by Miami-Dade County Product Control Section that this product or material fails to meet the requirements of the applicable building code.

This product is approved as described herein and has been designed to comply with the Florida Building Code, including the High Velocity Hurricane Zone.

DESCRIPTION: Series 800 Steel Roll-up Door up to 10'-0" Wide with Optional Insulated Slats

APPROVAL DOCUMENT: Drawing No. **035-0031**, titled "Series 800 Service Door, HVHZ, +/-47 PSF Design, up to 10' wide x 30' High, sheets 1 and 2 of 2, dated 03/26/2007, prepared by Wayne Dalton, signed and sealed by Mark A. Sawicki, P.E. on 07/29/2017, bearing the Miami-Dade County Product Control revision stamp with the Notice of Acceptance number and expiration date by the Miami-Dade County Product Control Section.

MISSILE IMPACT RATING: Large and Small Missile Impact Resistant

LABELING: A permanent label with the manufacturer's name or logo, manufacturing address, model number, the positive and negative design pressure rating, indicate impact rated if applicable, installation instruction drawing reference number, approval number (NOA), the applicable test standards, and the statement reading 'Miami-Dade County Product Control Approved' is to be located on the door's side track, bottom angle, or inner surface of a panel.

RENEWAL of this NOA shall be considered after a renewal application has been filed and there has been no change in the applicable building code negatively affecting the performance of this product.

TERMINATION of this NOA will occur after the expiration date or if there has been a revision or change in the materials, use, and/or manufacture of the product or process. Misuse of this NOA as an endorsement of any product, for sales, advertising or any other purposes shall automatically terminate this NOA. Failure to comply with any section of this NOA shall be cause for termination and removal of NOA.

LIMITATION: Roll-up mechanism is not part of this approval.

ADVERTISEMENT: The NOA number preceded by the words Miami-Dade County, Florida, and followed by the expiration date may be displayed in advertising literature. If any portion of the NOA is displayed, then it shall be done in its entirety.

INSPECTION: A copy of this entire NOA shall be provided to the user by the manufacturer or its distributors and shall be available for inspection at the job site at the request of the Building Official. This NOA **revises NOA # 21-1216.04** and consists of this page 1 and evidence pages E-1 and E-2, as well as approval document mentioned above.

The submitted documentation was reviewed by **Sifang Zhao, P.E.**



S.Z.
 04/18/2024

NOA No. 23-1129.10
Expiration Date: March 01, 2027
Approval Date: April 18, 2024
 Page 1

NOTICE OF ACCEPTANCE: EVIDENCE SUBMITTED

1. Evidence submitted under previous NOA's

A. DRAWINGS “Submitted under NOA # 17-0426.08”

1. Drawing No. **035-0031**, titled “Series 800 Service Door, HVHZ, +/-47 PSF Design, up to 10’ wide x 30’ High, sheets 1 and 2 of 2, dated 03/26/2007, prepared by the Wayne Dalton, signed and sealed by Mark A. Sawicki, P.E. on 07/29/2017.

B. TESTS “Submitted under NOA # 17-0426.08”

1. Test reports on 1) Uniform Static Air Pressure Test, Loading per FBC TAS 202-94
2) Large Missile Impact Test per FBC, TAS 201-94
3) Cyclic Wind Pressure Loading per FBC, TAS 203-94
4) Forced Entry Test, per FBC, TAS 202-94
along with marked-up drawings and installation diagram of a Series/Model 800 rolling steel doors, prepared by Intertek/ATI, Test Report No. **F7667.01-109-18**, dated 11/14/2016, signed and sealed by Charles L. Anderson, P.E.
2. Test report on Salt Fog Spray per ASTM B117 of G-90 Galvanized Steel and G-40 Galvanized Steel with Prime Coat, prepared by Environmental Testing Laboratory, Inc., Test Report #12732, dated 06/22/2013, signed by Brady Richard.

“Submitted under NOA # 06-1107.03”

3. Test Report # **01-46388.01** on Large Missile Impact Test per FBC, TAS 201-94, Cyclic Wind Pressure Test per FBC, TAS 203-94, Uniform Static Air Pressure Test per FBC, TAS 202-94 and Tensile Test per ASTM E8, dated 11/14/2003, prepared by Architectural Testing Inc., signed and sealed by Joseph A. Reed, P.E.

C. CALCULATIONS “Submitted under NOA # 17-0426.08”

1. Anchors verification calculations prepared by the Wayne Dalton, dated 03/06/2017, signed and sealed by Mark A. Sawicki, P.E.

“Submitted under NOA # 06-1107.03”

2. Calculations prepared by the manufacturer, dated 10/26/2006, sheets 1 thru 4 of 4, signed and sealed by David L. Monsour, P.E.

D. QUALITY ASSURANCE

1. Miami-Dade Department of Regulatory and Economic Resources (RER)

E. MATERIAL CERTIFICATIONS “Submitted under NOA # 06-1107.03”

1. Test Report # **01.11850.01.418** on Self Ignition Temperature per ASTM D1929 prepared by SouthWest Research Institute, dated 02/27/2006 and signed by Karen C. Carpenter.
2. Test Report # **01.03048.01.193c** on Flame Spread Index and Smoke Density Index Test per ASTM E84 prepared by SouthWest Research Institute, dated 04/28/2000 and signed by Alex B. Wenzel.



Sifang Zhao, P.E.
Product Control Examiner
NOA No. 23-1129.10
Expiration Date: March 01, 2027
Approval Date: April 18, 2024

Wayne Dalton a Div. of Overhead Door Corporation

NOTICE OF ACCEPTANCE: EVIDENCE SUBMITTED

F. STATEMENTS “Submitted under NOA # 17-0426.08”

1. Statement letter of code conformance to the 5th Edition (2014) FBC and of no financial interest issued by Wayne Dalton, dated 11/30/2016, signed and sealed by Mark A. Sawicki, P.E.

“Submitted under NOA # 11-1206.03”

2. Statement letter of code conformance to 2010 FBC issued by the Wayne Dalton, dated 01/27/2012, signed and sealed by David L. Monsour, P.E.

“Submitted under NOA # 06-1107.03”

3. No financial interest letter issued by Wayne Dalton Rolling Door Division, dated October 24, 2006, signed and sealed by David L. Monsour, P.E.
4. ATI Test Report Letter, dated 1/15/2007, signed and sealed by Joseph A. Reed, P.E.

2. Evidence submitted NOA # 18-0815.09 and newer

A. DRAWINGS

1. None.

B. TESTS

1. None.

C. CALCULATIONS

1. None.

D. QUALITY ASSURANCE

1. Miami-Dade Department of Regulatory and Economic Resources (RER)

E. MATERIAL CERTIFICATIONS

1. Test report on Surface Burning Characteristics Test per ASTM E84-12 on Elastopor P19670R Polyurethane Foam Insulation, prepared by QAI Laboratories, Test Report # **RJ1980-3**, dated 07/20/2012 and signed by Greg Banasky.

“Submitted under NOA # 18-0815.09”

F. STATEMENTS

1. Statement letter of code conformance to the 6th edition (2017) FBC issued by Wayne Dalton, dated 08/03/2018, signed and sealed by Mark A. Sawicki, P.E.

“Submitted under NOA # 18-0815.09”

2. Statement letter of code conformance to the 7th edition (2020) FBC issued by Wayne Dalton, dated 11/10/2020, signed and sealed by David L. Monsour, P.E.

“Submitted under NOA # 20-1130.13”

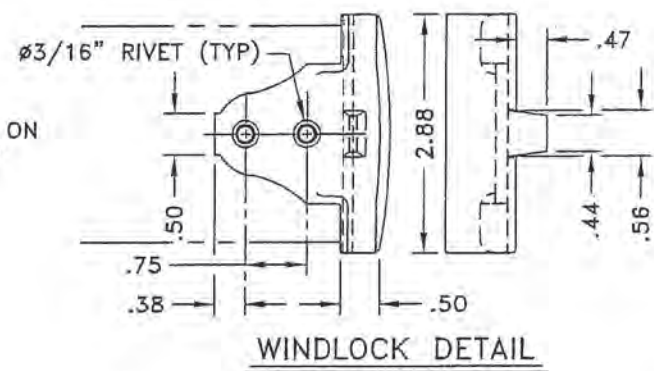
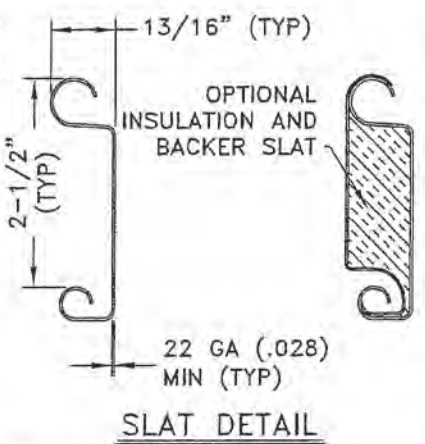
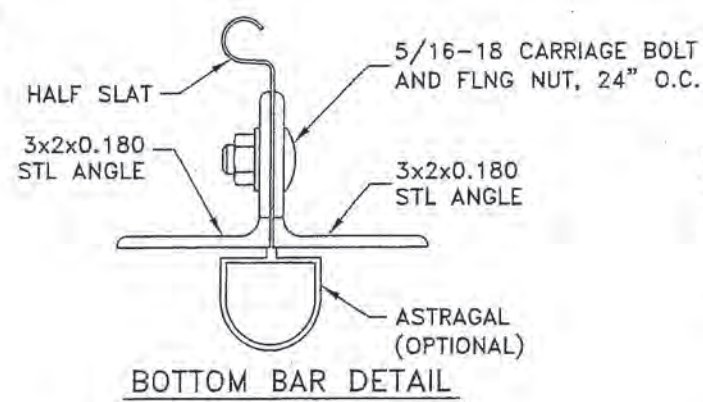
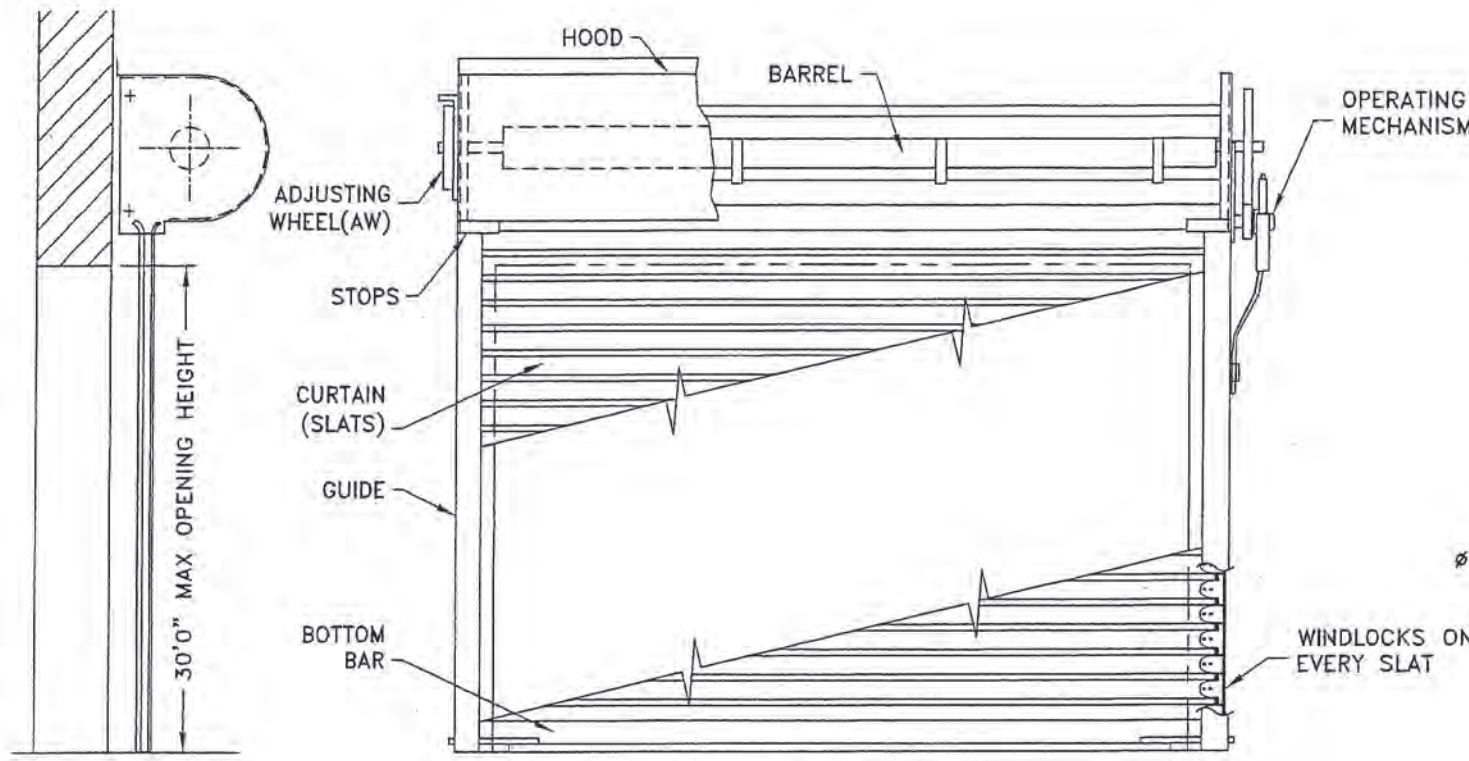
3. Statement letter of code conformance to the 8th edition (2023) FBC issued by Wayne Dalton, dated 02/12/2024, signed and sealed by Dor Gamliel, P.E.

“Submitted under NOA # 23-1129.10”



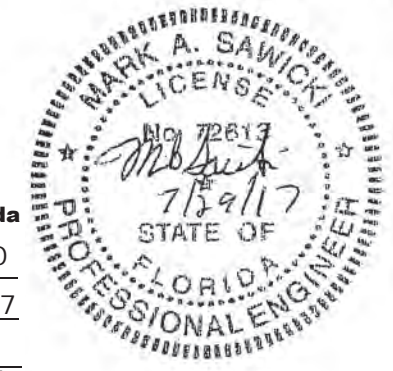
Sifang Zhao, P.E.
Product Control Examiner
NOA No. 23-1129.10
Expiration Date: March 01, 2027
Approval Date: April 18, 2024

DRAWING NO.
035-0031



PRODUCT REVISED
as complying with the Florida
Building Code
NOA-No. 20-1130.13
Expiration Date 03/01/2022
By *[Signature]*
Miami-Dade Product Control

PRODUCT REVISED
as complying with the Florida
Building Code
NOA-No. 18-0815.09
Expiration Date 03/01/2022
By *[Signature]*
Miami-Dade Product Control



PRODUCT REVISED
as complying with the Florida
Building Code
NOA-No. 23-1129.10
Expiration Date 03/01/2027
By *[Signature]*
Miami-Dade Product Control

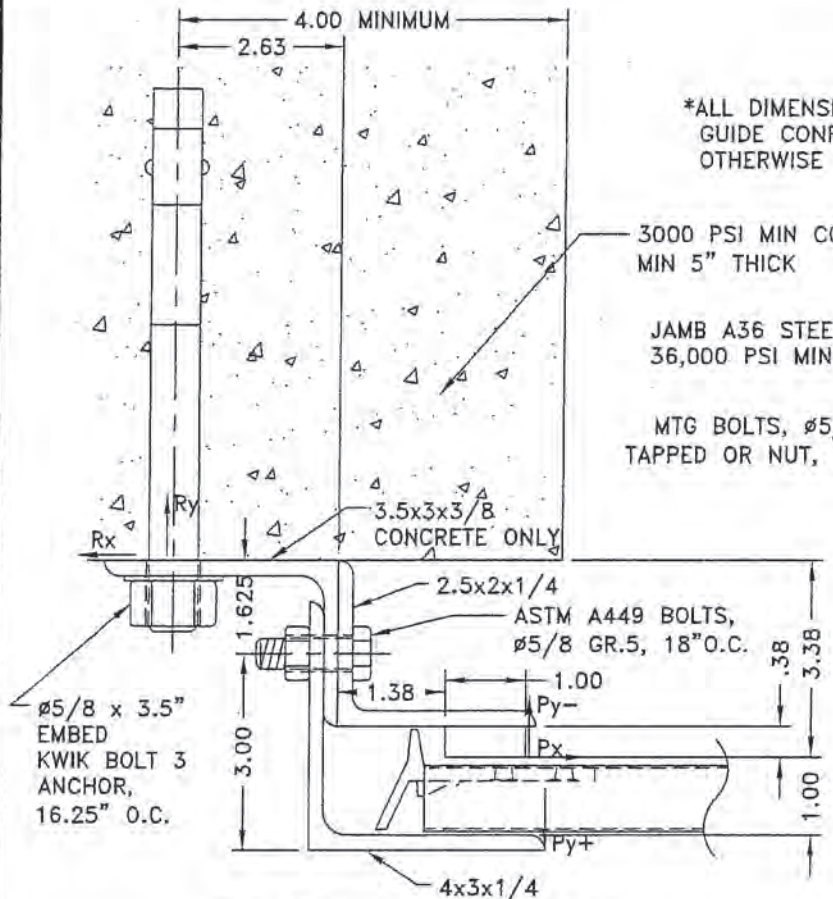
NOTES:

- DESIGN PRESSURE = ±47 PSF, TESTED IN ACCORDANCE WITH TAS 201, TAS 202, AND TAS 203 BY ARCHITECTURAL TESTING, INC. (YORK, PA)
- ALL WELDING TO CONFORM TO AMERICAN WELDING SOCIETY'S LATEST EDITION AND FLORIDA BUILDING CODE. USE A.W.S. A5.1 OR A5.5 E70XX ELECTRODES.
- THE CONTRACTOR SHALL ENSURE THAT THE WALL CAN SUPPORT THE JAMB FORCES INDICATED ON THIS DRAWING.
- WINDLOCKS ON BOTH ENDS OF ALL SLATS (CONTINUOUS).
- HOODS ARE 24GA GALVANIZED STEEL, STAINLESS STEEL, OR ALUMINUM.
- ALL GALVANIZING PER ASTM A 653. SHOP COAT OF RUST INHIBITIVE PRIMER ON NONGALVANIZED STEEL SURFACES.
- DOOR MAY BE LIFT UP, CRANK, HOIST, OR ELECTRIC OPERATION.
- CURTAIN IS .028 (22 GA) MIN STEEL PER ASTM A 653, GR.40, G90 GALVANIZED.
- GUIDE AND BOTTOM BAR ANGLES ARE STRUCTURAL STEEL PER ASTM A 36.
- TESTING PERFORMED ON A 10' WIDE X 10' HIGH DOOR (SHOWN), APPROVAL APPLIES TO DOORS UP TO 10' WIDE X UP TO 30' HIGH WITH COMPONENTS OF EQUAL OR GREATER STRENGTH.
- OPERATING MECHANISM NOT PART OF THIS APPROVAL. MUST BE CERTIFIED BY AN INDEPENDANT THIRD PARTY.
- DOOR IS CAPABLE OF INTERIOR OR EXTERIOR MOUNTING.

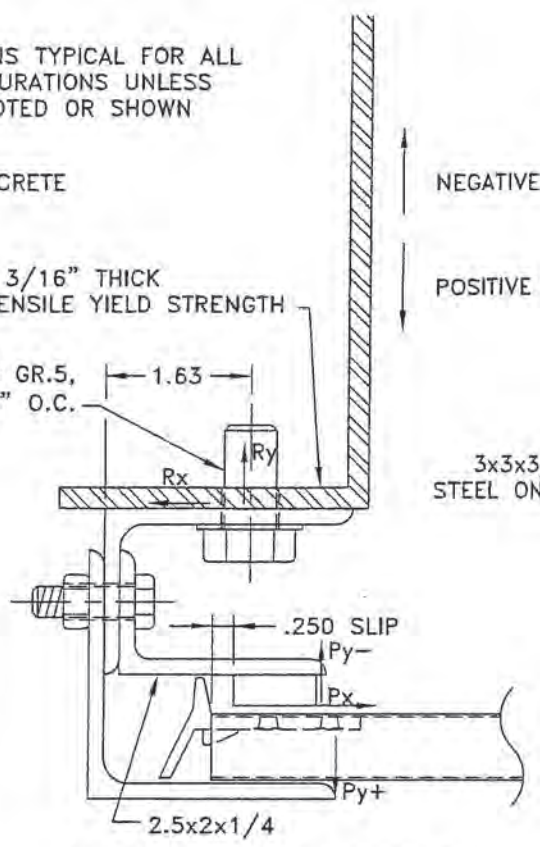
Approved: _____
MARK A. SAWICKI, P.E. FL # 72613
2501 S. STATE HWY 121 SUITE 200
LEWISVILLE, TX 75067
Date: _____

PART NUMBER		WEIGHT (LB.)		TITLE		DRAWN BY		CHECKED BY		APPVD. BY		TOLERANCES (UNLESS OTHERWISE SPECIFIED)		 Wayne Dalton Rolling Door Division 14512 Lincoln Way E. Dalton, Ohio 44618	
REFERENCE		PAGE 1 OF 2		DADE COUNTY TEST DOORS AND APPROVED MODIFICATIONS, SERIES 800 SERVICE DOOR, HVHZ, ±47 PSF DESIGN, UP TO 10' WIDE x UP TO 30' HIGH		M. DAUS 10/24/2006		D. MONSOUR 03/26/2007		D. MONSOUR 03/26/2007		LINEAR .X ± .060 LINEAR .XX ± .030 LINEAR .XXX ± .010 ANGULAR ± .50° DIMENSIONS IN INCHES			
B	DG 13/2/17	TB 3/2/17	ER 503497	CORRECTIONS TO PRINT PER ER		SCALE - WHEN THIS BOX IS .50" HIGH		ORIGINAL RELEASE		PCR R-00424		SIZE		DRAWING NO. 035-0031	REVISION B
A	TJS 11/29/16	TB 11/29/16	ER 503502	UPDATE PRINT TO RELFECT LATEST TEST REPORT F7667.01-109-1B		NONE									
REV.	REVD. BY	APPVD. BY	RELEASE	DESCRIPTION											
REVISIONS															

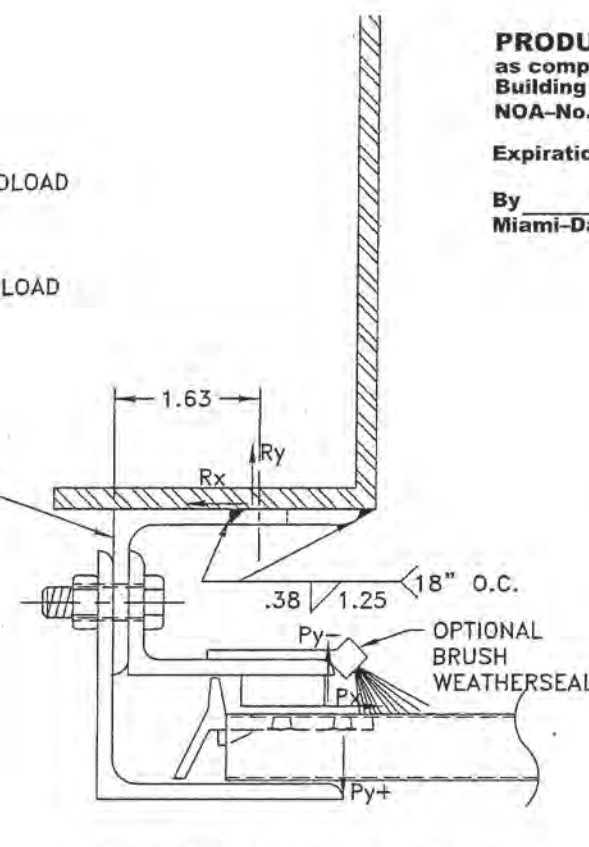
DRAWING NO.
035-0031



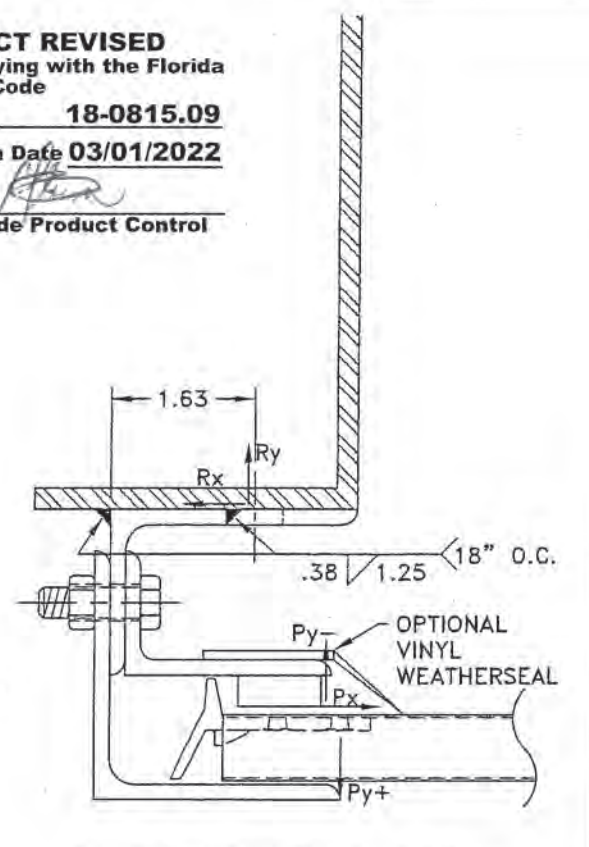
GUIDE MOUNTING DETAIL
GUIDES BOLTED TO CONCRETE JAMB



GUIDE MOUNTING DETAIL
GUIDES BOLTED TO STEEL JAMB



GUIDE MOUNTING DETAIL
GUIDES WELDED TO STEEL JAMB
AT SLOT AND TOE



GUIDE MOUNTING DETAIL
GUIDES WELDED TO STEEL JAMB
AT SLOT AND HEEL

PRODUCT REVISED
as complying with the Florida
Building Code
NOA-No. **18-0815.09**
Expiration Date **03/01/2022**
By *[Signature]*
Miami-Dade Product Control

GUIDE TYPE	FORCE (lbs/ft)	
	POS WINDLOAD	NEG WINDLOAD
Z-GUIDE	Rx = 442	Rx = 442
	Ry = 355	Ry = 781
	Px = 442	Px = 442
	Py+ = 235	Py- = 235
E-GUIDE	Rx = 442	Rx = 442
	Ry = 1127	Ry = 1041
	Px = 442	Px = 442
	Py+ = 235	Py- = 235

PRODUCT REVISED
as complying with the Florida
Building Code
NOA-No. **23-1129.10**
Expiration Date **03/01/2027**
By *[Signature]*
Miami-Dade Product Control



PRODUCT REVISED
as complying with the Florida
Building Code
NOA-No. **20-1130.13**
Expiration Date **03/01/2022**
By *[Signature]*
Miami-Dade Product Control

Approved: **MARK A. SAWICKI, P.E. FL # 72613**
2501 S. STATE HWY 121 SUITE 200
LEWISVILLE, TX 75067
Date: _____

REV.	REVD. BY	APPVD. BY	RELEASE	DESCRIPTION
B	DG 13/2/17	TB 3/2/17	ER 503497	CORRECTIONS TO PRINT PER ER
A	TJS 11/29/16	TB 11/29/16	ER 503502	UPDATE PRINT TO REFLECT LATEST TEST REPORT F7667.01-109-18
REVISIONS				

PART NUMBER	WEIGHT (LB.)	TITLE	DRAWN BY	CHECKED BY	APPVD. BY	TOLERANCES (UNLESS OTHERWISE SPECIFIED)
REFERENCE		DADE COUNTY TEST DOORS AND APPROVED MODIFICATIONS, SERIES 800 SERVICE DOOR, HVHZ, ±47 PSF DESIGN, UP TO 10' WIDE x UP TO 30' HIGH	M. DAUS		D. MONSOUR	LINEAR .X ± .060 LINEAR .XX ± .030 LINEAR .XXX ± .010 ANGULAR ± .50° DIMENSIONS IN INCHES
		MATERIAL AS SHOWN	10/24/2006		03/26/2007	SCALE - WHEN THIS BOX IS .50" HIGH ORIGINAL RELEASE NONE PCR R-00424
						Wayc Dalton Wayne Dalton Rolling Door Division 14512 Lincoln Way E. Dalton, Ohio 44618
						SIZE B DRAWING NO. 035-0031 REVISION B