



**DEPARTMENT OF REGULATORY AND ECONOMIC RESOURCES (RER)
BOARD AND CODE ADMINISTRATION DIVISION
NOTICE OF ACCEPTANCE (NOA)**

**MIAMI-DADE COUNTY
PRODUCT CONTROL SECTION**
11805 SW 26 Street, Room 208
Miami, Florida 33175-2474
T (786)315-2590 F (786) 315-2599
www.miamidade.gov/economy

Zion Tile Corporation
7360 SW 152 Ave.
Miami, FL 33193

SCOPE:

This NOA is being issued under the applicable rules and regulations governing the use of construction materials. The documentation submitted has been reviewed and accepted by Miami-Dade County RER -Product Control Section to be used in Miami Dade County and other areas where allowed by the Authority Having Jurisdiction (AHJ).

This NOA shall not be valid after the expiration date stated below. The Miami-Dade County Product Control Section (In Miami Dade County) and/or the AHJ (in areas other than Miami Dade County) reserve the right to have this product or material tested for quality assurance purposes. If this product or material fails to perform in the accepted manner, the manufacturer will incur the expense of such testing and the AHJ may immediately revoke, modify, or suspend the use of such product or material within their jurisdiction. RER reserves the right to revoke this acceptance, if it is determined by Miami-Dade County Product Control Section that this product or material fails to meet the requirements of the applicable building code.

This product is approved as described herein, and has been designed to comply with the Florida Building Code including the High Velocity Hurricane Zone of the Florida Building Code.

DESCRIPTION: Alhambra Handmade Barrel Clay Roof Tile

LABELING: Each unit shall bear a permanent label with the manufacturer's name or logo, city, state and following statement: "Miami-Dade County Product Control Approved", unless otherwise noted herein.

RENEWAL of this NOA shall be considered after a renewal application has been filed and there has been no change in the applicable building code negatively affecting the performance of this product.

TERMINATION of this NOA will occur after the expiration date or if there has been a revision or change in the materials, use, and/or manufacture of the product or process. Misuse of this NOA as an endorsement of any product, for sales, advertising or any other purposes shall automatically terminate this NOA. Failure to comply with any section of this NOA shall be cause for termination and removal of NOA.

ADVERTISEMENT: The NOA number preceded by the words Miami-Dade County, Florida, and followed by the expiration date may be displayed in advertising literature. If any portion of the NOA is displayed, then it shall be done in its entirety.

INSPECTION: A copy of this entire NOA shall be provided to the user by the manufacturer or its distributors and shall be available for inspection at the job site at the request of the Building Official.

This NOA renews NOA# 19-1021.33 and consists of pages 1 through 5.
The submitted documentation was reviewed by Alex Tigera.

04/25/24



NOA No.: 23-1130.02
Expiration Date: 05/01/29
Approval Date: 04/25/24
Page 1 of 5

ROOFING ASSEMBLY APPROVAL

Category: Roofing
Sub-Category: Roofing Tiles
Material: Clay

1. SCOPE

This approves a roofing system using **Alhambra Handmade Barrel Clay Roof Tile** manufactured by **IMEXINSA** in **La Paz Centro, Nicaragua** and is distributed by **Zion Tile Corporation**, as described in Section 2 of this Notice of Acceptance. For locations where the pressure requirements, as determined by applicable Building Code does not exceed the design pressure values obtained by calculations in compliance with RAS 127 using the values listed in section 4 herein. The attachment calculations shall be done as a moment based system.

2. PRODUCT DESCRIPTION

<u>Manufactured by Applicant</u>	<u>Dimensions</u>	<u>Test Specifications</u>	<u>Product Description</u>
Alhambra Handmade Barrel Clay Roof Tile	L = 18" W = 6 1/4" (Head End) W = 8 1/4" (Butt End) H = 2 1/4" (Head End) H = 3" (Butt End)	ASTM C1167	High profile two-piece clay roof tile. For direct deck adhesive set applications only.
Trim Pieces	0.75" thick L = varies W = varies varying thickness	ASTM C1167	Accessory trim, clay roof pieces for use at hips, rakes, ridges and valley terminations manufactured for each tile profile.

2.1. MANUFACTURING LOCATION

2.1.1. La Paz Centro, Nicaragua

2.2. EVIDENCE SUBMITTED

<u>Test Agency</u>	<u>Test Identifier</u>	<u>Test Name/Report</u>	<u>Date</u>
Florida TEC	121643A 121643R	ASTM C 1167 TAS 101	11/12/13 04/24/14
American Test Labs of South Florida	RT0320.02-23	ASTM C 1167	03/30/23



NOA No.: 23-1130.02
Expiration Date: 05/01/29
Approval Date: 04/25/24
Page 2 of 5

3. LIMITATIONS

- 3.1 Fire classification is not part of this acceptance.
- 3.2 For mortar or adhesive set tile applications, a static field uplift test shall be performed in accordance with TAS 106.
- 3.3 Applicant shall retain the services of a Miami-Dade County Certified Laboratory to perform quarterly test in accordance with TAS 112, appendix 'A'. Such testing shall be submitted to the Miami-Dade Product Control office for review.
- 3.4 Minimum underlayment shall be in compliance with the applicable Roofing Applications Standards listed section 4.1 herein.
- 3.5 30/90 hot mopped underlayment applications may be installed perpendicular to the roof slope unless stated otherwise by the underlayment material manufacturers published literature.
- 3.6 This acceptance is for wood deck applications. Minimum deck requirements shall be in compliance with applicable building code.
- 3.7 All products listed herein shall have a quality assurance audit in accordance with the Florida Building Code and Rule 61G20-3 of the Florida Administrative Code.

4. INSTALLATION

- 4.1 Alhambra Handmade Barrel Clay Roof Tile and its components shall be installed in strict compliance with Roofing Application Standard **RAS 120**.
- 4.2 Data For Attachment Calculations

Table 1: Average Weight (W) and Dimensions (l x w)			
Tile Profile	Weight-W (lbf)	Length - l (feet)	Width-w (feet)
Alhambra Handmade Barrel Clay Roof Tile	6.75	1.5	0.6875

Table 2: Aerodynamic Multipliers - λ (ft³)		
Tile Profile	λ (ft³) Direct Deck Application	λ (ft³) Batten Application
Alhambra Handmade Barrel Clay Roof Tile	0.328	0.303

Table 3: Restoring Moments due to Gravity - M_g (ft.-lbf)						
Tile Profile	2:12	3:12	4:12	5:12	6:12	7:12 or greater
	Direct Deck	Direct Deck	Direct Deck	Direct Deck	Direct Deck	Direct Deck
Alhambra Handmade Barrel Clay Roof Tile	4.94	4.86	4.76	4.63	4.49	4.34



**Table 6: Attachment Resistance Expressed as a Moment - M_r (ft.-lbf)
For Single Paddy Adhesive¹ Set Systems**

Tile Profile	Tile Application	Minimum Attachment Resistance
Alhambra Handmade Barrel Clay Roof Tile	ICP Adhesives Polyset® AH-160	110.91 ²
<p>1 See foam adhesive manufacturer's component approval for installation requirements.</p> <p>2 Pan tiles attached with one (1) paddy, 2" x 10" (35 grams), of ICP Adhesives Polyset® AH-160 per pan tile. Cap tiles attached with two (2) paddies, 1" x 10" (17 grams) per paddy, of ICP Adhesives Polyset® AH-160 per cap tile.</p>		

5. LABELING

All tiles shall bear the imprint or identifiable marking of the manufacturer's name or logo as seen below or following statement: "Miami-Dade County Product Control Approved".



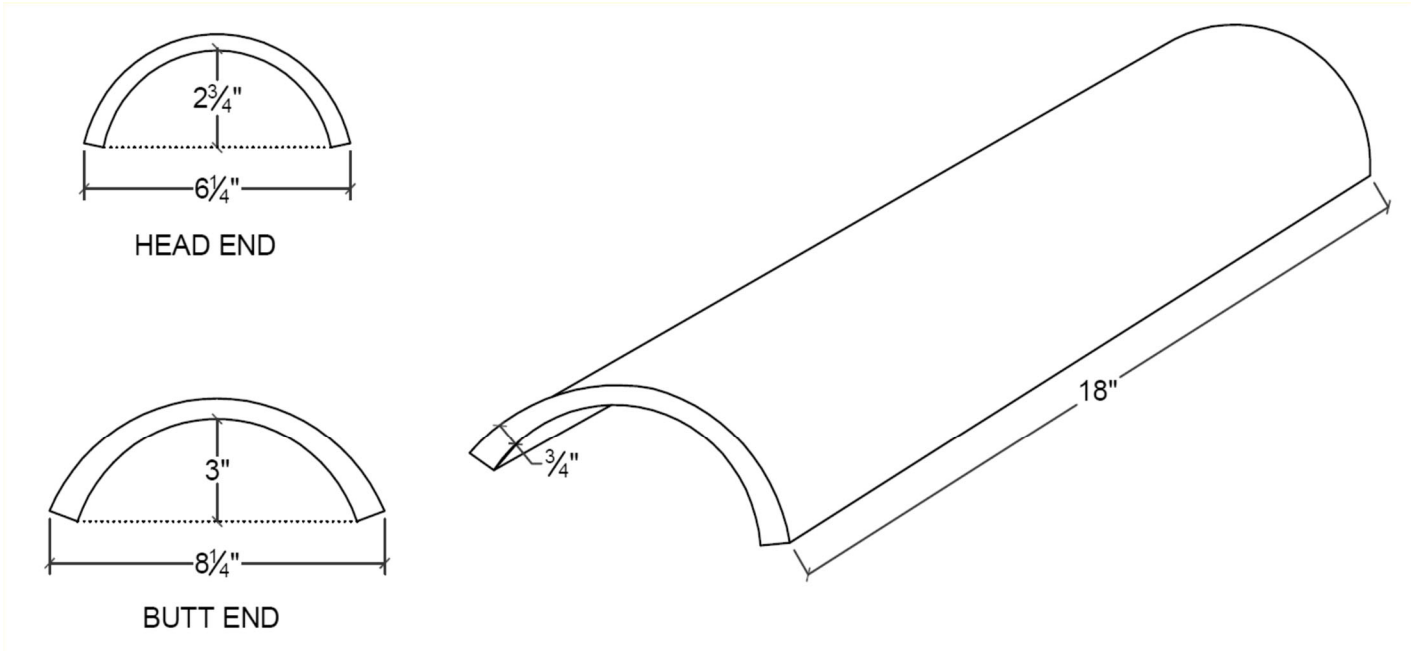
**ALHAMBRA HANDMADE BARREL CLAY ROOF TILE LABEL
(LOCATED ON THE TOPSIDE NOSE END OF THE TILE)**

6. BUILDING PERMIT REQUIREMENTS:

- 6.1 Application for building permit shall be accompanied by copies of the following:
 - 6.1.1 This Notice of Acceptance.
 - 6.1.2 Any other documents required by Building Official or Applicable building code in order to properly evaluate the installation of this system.



PROFILE DRAWING



ALHAMBRA HANDMADE BARREL CLAY ROOF TILE

END OF THIS ACCEPTANCE

