



DEPARTMENT OF REGULATORY AND ECONOMIC RESOURCES (RER)  
 BOARD AND CODE ADMINISTRATION DIVISION  
**NOTICE OF ACCEPTANCE (NOA)**

**Trulite Glass & Aluminum Solutions, LLC**  
 403 West Park Ct, #201  
 Peachtree City, GA 30269

**SCOPE:**

This NOA is being issued under the applicable rules and regulations governing the use of construction materials. The documentation submitted has been reviewed and accepted by Miami-Dade County RER -Product Control Section to be used in Miami Dade County and other areas where allowed by the Authority Having Jurisdiction (AHJ). This NOA shall not be valid after the expiration date stated below. The Miami-Dade County Product Control Section (In Miami Dade County) and/or the AHJ (in areas other than Miami Dade County) reserve the right to have this product or material tested for quality assurance purposes. If this product or material fails to perform in the accepted manner, the manufacturer will incur the expense of such testing and the AHJ may immediately revoke, modify, or suspend the use of such product or material within their jurisdiction. RER reserves the right to revoke this acceptance, if it is determined by Miami-Dade County Product Control Section that this product or material fails to meet the requirements of the applicable building code. This product is approved as described herein, and has been designed to comply with the Florida Building Code, including the High Velocity Hurricane Zone.

**DESCRIPTION: “351 Series” Outswing Aluminum Entrance Door w/wo Transom –LMI**

**APPROVAL DOCUMENT:** Drawing No. **AD15-23**, titled “351 Series Alum Outswing Doors w/wo Transom (Large Missile Impact)”, sheets 1 through 17 of 17, dated 03/24/15, with revision “2” dated 12/20/23, signed and sealed by Yiping Wang , P.E, bearing the Miami-Dade County Product Control Revision stamp with the Notice of Acceptance number and expiration date by the Miami-Dade County Product Control Section.

**MISSILE IMPACT RATING: Large and Small Impact**

**Limitations:**

1. See water limitations in sheet **8, 9 & 13**.
2. Lower DP shall control, when doors w/wo transom is mulled to Storefront (under Separate approval), Full length Steel reinforcement is required, the tributary load, the mullion end anchors to be reviewed by Bldg. official.

**LABELING:** Each unit shall bear a permanent label with the manufacturer's name or logo, city, state and series and following statement: "Miami-Dade County Product Control Approved", unless otherwise noted herein.

**RENEWAL** of this NOA shall be considered after a renewal application has been filed and there has been no change in the applicable building code negatively affecting the performance of this product.

**TERMINATION** of this NOA will occur after the expiration date or if there has been a revision or change in the materials, use, and/or manufacture of the product or process. Misuse of this NOA as an endorsement of any product, for sales, advertising or any other purposes shall automatically terminate this NOA. Failure to comply with any section of this NOA shall be cause for termination and removal of NOA.

**ADVERTISEMENT:** The NOA number preceded by the words Miami-Dade County, Florida, and followed by the expiration date may be displayed in advertising literature. If any portion of the NOA is displayed, then it shall be done in its entirety.

**INSPECTION:** A copy of this entire NOA shall be provided to the user by the manufacturer or its distributors and shall be available for inspection at the job site at the request of the Building Official.

This NOA **revises and renews NOA #20-0424.01** and consists of this page 1 and evidence pages E-1, E-2 and E-3, as well as approval document mentioned above.

The submitted documentation was reviewed by **Sifang Zhao, P.E.**

*S.Z.*

04/25/2024



NOA No. 23-1222.08  
**Expiration Date: June 04, 2030**  
**Approval Date: April 25, 2024**  
 Page 1

**NOTICE OF ACCEPTANCE: EVIDENCE SUBMITTED**

**1. EVIDENCE SUBMITTED UNER PREVIOUS NOA'S**

**A. DRAWINGS**

1. Manufacturer's die drawings and sections. (*Submitted under NOA#14-0225.02*).
2. Drawing No. **AD-1523**, titled "351 Series Alum Outswing Dry-Glazed Doors w/wo Transom (Large Missile Impact)", sheets 1 through 11 of 11, dated 03/24/15, prepared, signed and sealed by Yiping Wang, P.E. on 09/29/17.

**B. TESTS**

1. Test reports on: 1) Air Infiltration Test, per FBC, TAS 202-94  
2) Uniform Static Air Pressure Test, Loading per FBC TAS 202-94  
3) Water Resistance Test, per FBC, TAS 202-94  
4) Large Missile Impact Test per FBC, TAS 201-94  
5) Cyclic Wind Pressure Loading per FBC, TAS 203-94  
6) Forced Entry Test, per FBC 2411 3.2.1, TAS 202-94  
along with marked-up drawings and installation diagram of an outswing aluminum entrance door w/wo Transoms, prepared by Fenestration Testing Lab, Test Report No(s). **FTL 7458**, dated 10/15/13, with addendum letter dated 04/09/14, signed and sealed by Marlin D. Brinson, P.E. (*Submitted under NOA#14-0225.02*).

**C. CALCULATIONS**

1. Anchor verification calculations and structural analysis, complying with FBC2014, prepared by MCY Engineering, Inc., dated FEB 15, 2015 and last revised on 04/28/15, signed and sealed by Yiping Wang, P.E.
2. Glazing complies w/ ASTME-1300-02 & -04

**D. QUALITY ASSURANCE**

1. Miami Dade Department of Regulatory and Economic Resources (RER).

**E. MATERIAL CERTIFICATIONS**

1. NOA No. **14-0916.11** issued to Kuraray America., Inc. for their "SentryGlas" (Clear and White) Interlayer", expiring on 07/04/18.

**F. STATEMENTS**

1. Statement letter of conformance to **FBC 5<sup>th</sup> Edition (2014)** and **FBC 6<sup>th</sup> Edition (2017)**, and no financial interest, prepared by MCY Engineering, Inc., dated 09/29/17, signed and sealed by Yiping Wang, P.E.
2. Statement letter of Lab compliance, part of above referenced test reports.
3. Test Proposal # **12-1089** dated DEC 10, 2012, issued by PERA.

**G. OTHER**

1. This NOA **revises** NOA #**14-0225.02**, expiring on 06/04/20.



---

Sifang Zhao, P.E.  
Product Control Examiner  
NOA No. 23-1222.08  
Expiration Date: June 04, 2030  
Approval Date: April 25, 2024

**NOTICE OF ACCEPTANCE: EVIDENCE SUBMITTED**

**2. EVIDENCE SUBMITTED Under NOA#20-0424.01**

**A. DRAWINGS**

1. Drawing No. **AD15-23**, titled “351 Series Alum Outswing Doors w/wo Transom (Large Missile Impact)”, sheets 1 through 17 of 17, dated 03/24/15, with revision “1” dated 02/11/2020, prepared, signed and sealed by Yiping Wang, P.E.

**B. TESTS**

1. Test reports on: 1) Air Infiltration Test, per FBC, TAS 202-94  
2) Uniform Static Air Pressure Test, Loading per FBC TAS 202-94  
3) Large Missile Impact Test per FBC, TAS 201-94  
4) Cyclic Wind Pressure Loading per FBC, TAS 203-94

along with marked-up drawings and installation diagram of an outswing aluminum entrance door w/wo Transoms, prepared by Fenestration Testing Lab, Test Report No(s). **FTL-10168, FTL-9378**, dated 01/31/2020, signed and sealed by Idalmis Ortega, P.E.

2. Test reports on: 1) Air Infiltration Test, per FBC, TAS 202-94  
2) Uniform Static Air Pressure Test, Loading per FBC TAS 202-94  
3) Large Missile Impact Test per FBC, TAS 201-94  
4) Cyclic Wind Pressure Loading per FBC, TAS 203-94  
5) Forced Entry Test, per FBC 2411 3.2.1, TAS 202-94

along with marked-up drawings and installation diagram of an outswing aluminum entrance door w/wo Transoms, prepared by Fenestration Testing Lab, Test Report No(s). **FTL-9867, FTL-8757 and FTL-9689**, dated 01/31/2020, signed and sealed by Idalmis Ortega, P.E.

**C. CALCULATIONS**

1. Anchor verification calculations and structural analysis, complying with FBC 6<sup>th</sup> (2017) and FBC 7<sup>th</sup> (2020) editions, prepared by MCY Engineering, Inc., dated June 02, 2020, signed and sealed by Yiping Wang, P.E.
2. Glazing complies w/ ASTM E-1300-09 & -12

**D. QUALITY ASSURANCE**

1. Miami Dade Department of Regulatory and Economic Resources (RER).

**E. MATERIAL CERTIFICATIONS**

1. NOA No. **17-0808.02** issued to **Kuraray America, Inc.** for their “**SentryGlas® (Clear and White) Glass Interlayers**” dated 12/28/17, expiring on 07/04/23.
2. NOA No. **17-0712.05** issued to **Eastman Chemical Company (MA)** for their “**Saflex PVB Clear and Color Glass Interlayers**” dated 09/07/17, expiring on 05/21/21.



---

**Sifang Zhao, P.E.**  
**Product Control Examiner**  
**NOA No. 23-1222.08**  
**Expiration Date: June 04, 2030**  
**Approval Date: April 25, 2024**

**Trulite Glass & Aluminum Solutions, LLC**

**NOTICE OF ACCEPTANCE: EVIDENCE SUBMITTED**

**F. STATEMENTS**

1. Statement letter of conformance to **FBC 6<sup>th</sup> Edition (2017)** and **FBC 7<sup>th</sup> Edition (2020)**, and no financial interest, prepared by MCY Engineering, Inc., dated 06/02/2020 signed and sealed by Yiping Wang, P.E.
2. Test Proposal # **14-1349 Rev #1** dated 05/13/2015, issued by RER.

**G. OTHER**

1. This NOA **revises** and renews NOA #**17-1017.13**, expiring on 06/04/20.

**3. NEW EVIDENCE SUBMITTED**

**A. DRAWINGS**

1. Drawing No. **AD15-23**, titled “351 Series Alum Outswing Doors w/wo Transom (Large Missile Impact)”, sheets 1 through 17 of 17, dated 03/24/15, with revision “2” dated 12/20/2023, prepared, signed and sealed by Yiping Wang, P.E.

**B. TESTS**

1. None.

**C. CALCULATIONS**

1. None.

**D. QUALITY ASSURANCE**

1. Miami Dade Department of Regulatory and Economic Resources (RER).

**E. MATERIAL CERTIFICATIONS**

1. NOA No. **23-0717.30** issued to **Kuraray America, Inc.** for their “**SentryGlas® (Clear and White) Glass Interlayers**”, expiring on 07/04/28.
2. NOA No. **23-0713.18** issued to **Eastman Chemical Company (MA)** for their “**Saflex PVB Clear and Color Glass Interlayers**”, expiring on 05/21/26.

**F. STATEMENTS**

1. Statement letter of conformance to **FBC 8<sup>th</sup> Edition (2023)**, and no financial interest, prepared by MCY Engineering, Inc., dated 12/20/2023 signed and sealed by Yiping Wang, P.E.

**G. OTHER**

1. This NOA **revises and renews** NOA #**20-0424.01**, expiring on 06/04/25.



---

Sifang Zhao, P.E.  
Product Control Examiner  
NOA No. 23-1222.08  
Expiration Date: June 04, 2030  
Approval Date: April 25, 2024

# TRULITTE GLASS & ALUMINUM SOLUTION SERIES

## 351 ALUMINUM OUT SWING DOORS

### LARGE MISSILE IMPACT



http://www.trulite.com

403 WESTPARK CT. SUITE 201  
PEACHTREE CITY, GA 30269  
p. 800-432-8132 | f. 954-724-2083

PRODUCT:

**351 SERIES  
ALUM OUTSWING  
DOORS  
W/ OR W/O TRANSOM  
(LARGE MISSILE IMPACT)**

REVN	DATE/REMARKS
REV 02	12.20.23/ FBC 2023

ENGINEER:



**MCY ENGINEERING, INC.**  
GLAZING CONSULTANT

12871 Miramar Pkwy Ste. 301  
Miramar, FL 33027  
P: 305-271-0117  
Email: MCY.Engineering@att.net  
www.MCYEngineering.com

STAMP:



December 20th, 2023

**PRODUCT REVISED**  
as complying with the Florida  
Building Code  
NOA-No. 23-1222.08

Expiration Date 06/04/2030

By   
**Miami-Dade Product Control**

SHEET TITLE

## COVER

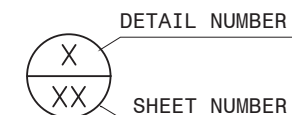
DRAWN: FRANK	DRAWING No:
DATE: 12.20.2023	1 OF 17
DWG: AD15-23	

#### DRAWING INDEX

SHEET DESCRIPTION		REVISION			
COVER	COVER				
G1	GLASS OPTION				
E01	ELEVATIONS				
E02	ELEVATIONS				
E03	ELEVATIONS				
E04	ELEVATIONS				
E05	ELEVATIONS				
D1	DETAILS				
D2	DETAILS				
D3	DETAILS				
D4	DETAILS				
D5	DETAILS				
A1	ANCHOR TYPES				
H1	HARDWARE				
BOM	BILL OF MATERIALS				
PO1	PARTS				
ISO	ISOMETRIC				

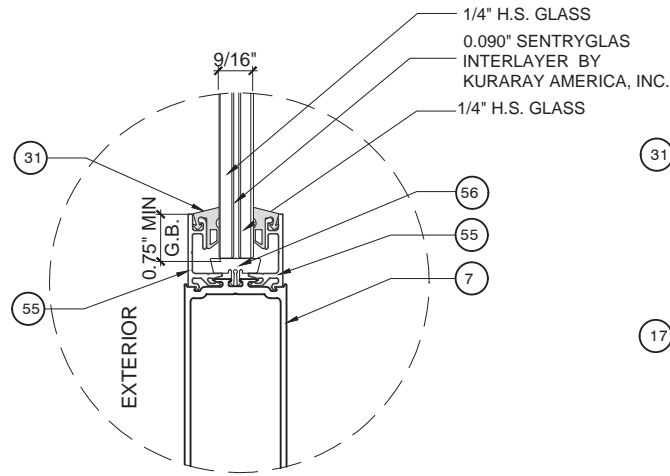
#### ABBREVIATIONS AND SYMBOLS

D.L.O. - DAYLITE OPENING	S.S. - STAINLESS STEEL
F.H. - FRAME HEIGHT	H.S. - HEAT STRENGTHENED
F.W. - FRAME WIDTH	SSG - STRUCTURAL SILICONE GLAZED
LG. - LONG	TEMP. - TEMPERED
STL. - STEEL	O.C. - ON CENTER
ALUM. - ALUMINUM	G.B. - GLASS BITE
MULL. - MULLION	
HORIZ. - HORIZONTAL	
W/ - WITH	
W/O - WITHOUT	
VERT. - VERTICAL	

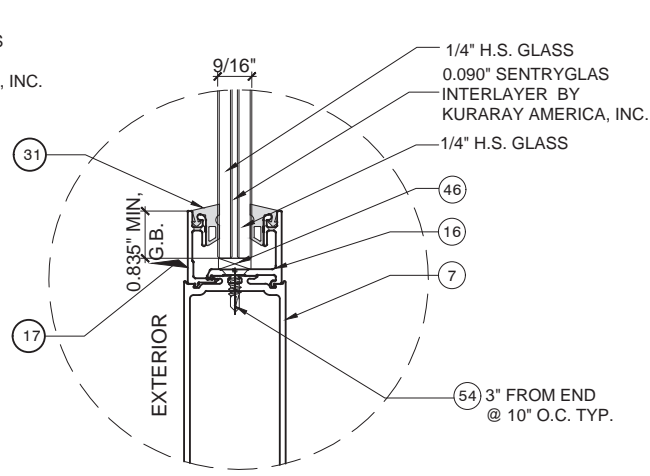


- THIS PRODUCT HAS BEEN DESIGNED AND TESTED TO COMPLY WITH THE REQUIREMENTS OF THE 8TH EDITION FLORIDA BUILDING CODE 2023 INCLUDING HIGH VELOCITY HURRICANE ZONE (HVHZ).
  - DOORS ARE RATED LARGE MISSILE IMPACT. SHUTTERS OR EXTERNAL PROTECTION DEVICES IS NOT REQUIRED.
  - DOOR TESTED FOR IMPACT LEVEL D
  - ULTIMATE DESIGN LOAD OBTAINED FROM ASCE 7-22, MULTIPLY BY 0.6, SHALL BE LESS THAN OR EQUAL TO MAX. DESIGN LOAD IN THE DOCUMENT.
  - FOR WATER INFILTRATION RATINGS, SEE LIMITATION ON SHEET A1.
  - 1X OR 2X WOOD BUCKS BY OTHERS, MUST BE ANCHORED PROPERLY TO TRANSFER LOADS TO THE STRUCTURE, TO BE REVIEWED BY BUILDING OFFICIAL.
  - ANCHORING OR LOADING CONDITIONS NOT SHOWN IN THESE DETAILS ARE NOT PART OF THIS APPROVAL.
  - MANUFACTURER'S LABEL SHALL BE LOCATED ON A READILY VISIBLE LOCATION IN ACCORDANCE WITH SECTION 1709.9.3 OF FLORIDA BUILDING CODE LABELING TO COMPLY WITH SECTION 1709.9.2.
- A LOAD DURATION INCREASE IS USED IN DESIGN OF ANCHORS INTO WOOD ONLY.
  - MATERIALS INCLUDING BUT NOT LIMITED TO STEEL/METAL SCREWS, THAT COME INTO CONTACT WITH OTHER DISSIMILAR MATERIALS SHALL MEET THE REQUIREMENTS OF THE 8TH EDITION FLORIDA BUILDING CODE 2023 SECTION AS APPLICABLE.
  - ANCHORS SHALL BE AS LISTED, SPACED AS SHOWN ON DETAILS. ANCHORS EMBEDMENT TO BASE MATERIAL SHALL BE BEYOND WALL DRESSING OR STUCCO.
  - LIMITATION:  
WHEN DOORS OR DOOR WITH TRANSOM ARE MULLED TO STOREFRONT (UNDER SEPARATE APPROVAL) LOWER DESIGN PRESSURE FROM DOOR, DOOR WITH TRANSOM OR STOREFRONT SHALL GOVERN IN THE ENTIRE ASSEMBLY.
  - WHERE APPLICABLE:  
EGRESS REQUIREMENTS TO BE REVIEWED BY BUILDING OFFICIAL.

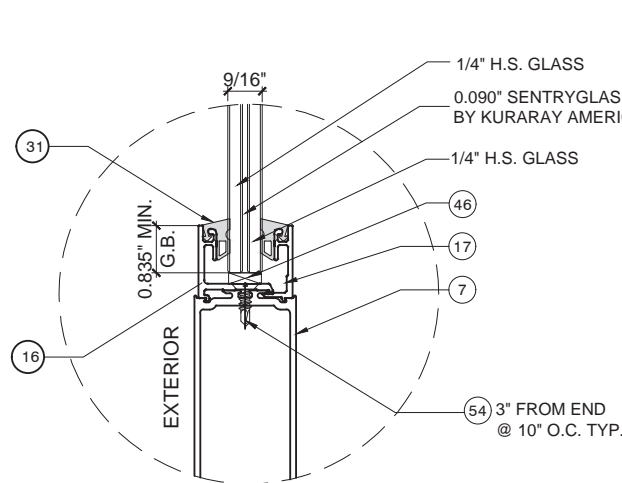
**DRY-GLAZED LAMINATED GLASS OPTIONS**



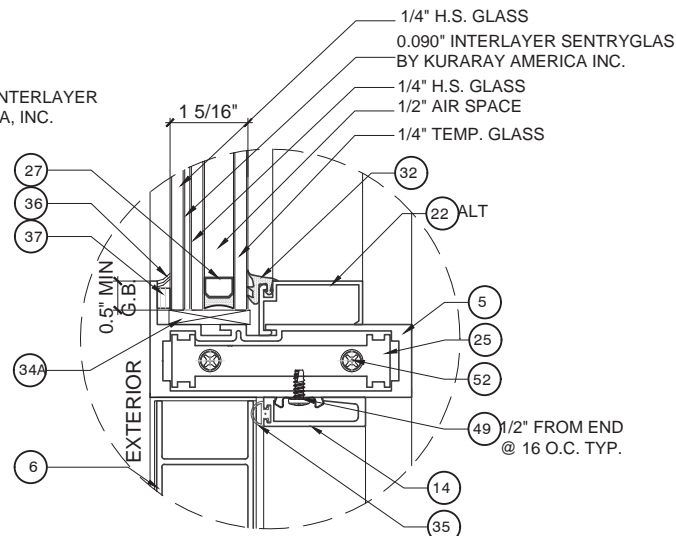
**G1** 9/16" LAMINATED GLASS GLAZING  
DETAIL DOOR LEAF (ACT/INACT)  
FOR DOOR PANEL WIDTH UPTO 36"



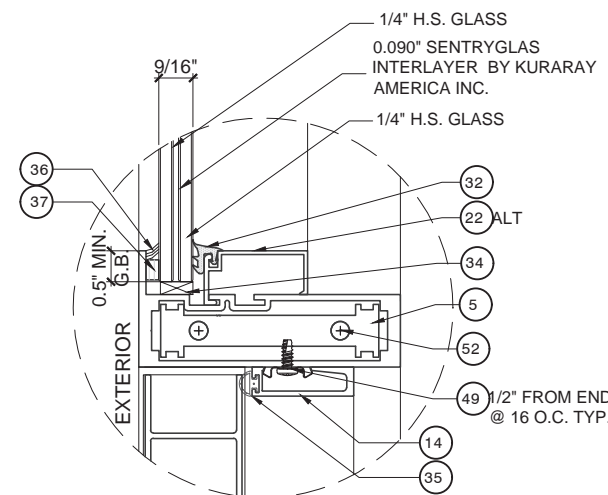
**G1A** 9/16" LAMINATED GLASS GLAZING  
DETAIL DOOR LEAF (ACT/INACT)  
FOR DOOR PANEL WIDTH UPTO 48"



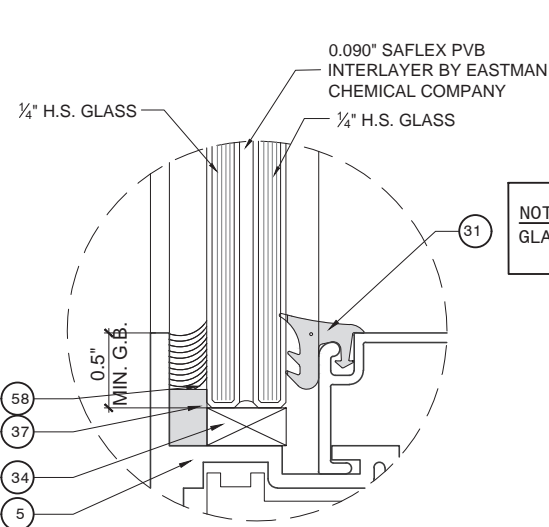
**G1B** 9/16" LAMINATED GLASS GLAZING  
OPTION W/ INTERIOR DOOR  
ADAPTOR IN THE EXTERIOR SIDE



**G2** 1 5/16" TOTAL INSULATED LAMINATED GLASS  
THICKNESS AT TRANSOM



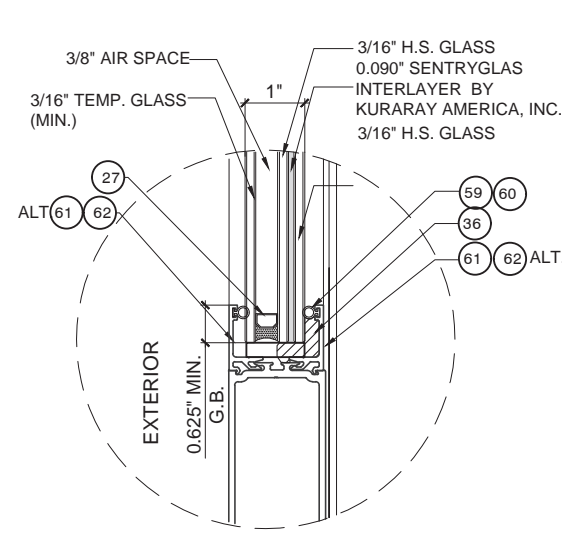
**G3** 9/16" TOTAL LAMINATED GLASS  
THICKNESS AT TRANSOM



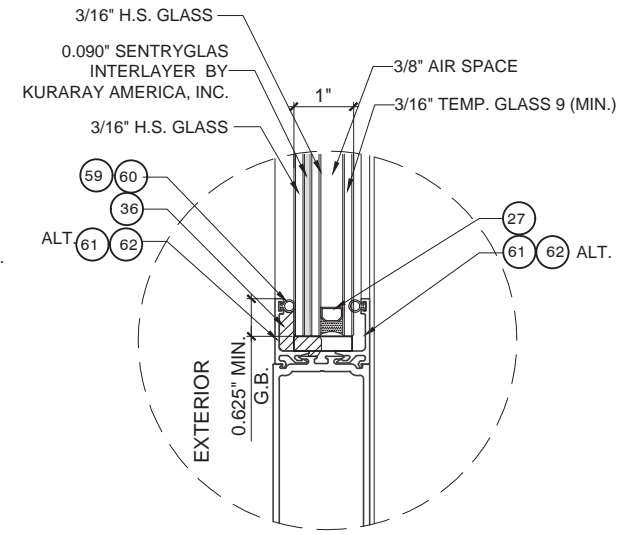
**G8** 9/16" LAMINATED GLASS GLAZING  
AT TRANSOM

**NOTE:**  
GLAZING COMPLIES WITH ASTM E1300-16.

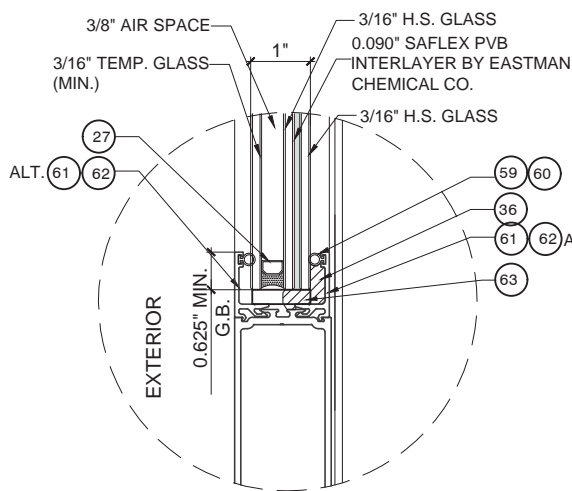
**WET-GLAZED LAMINATED INSULATED GLASS OPTIONS**



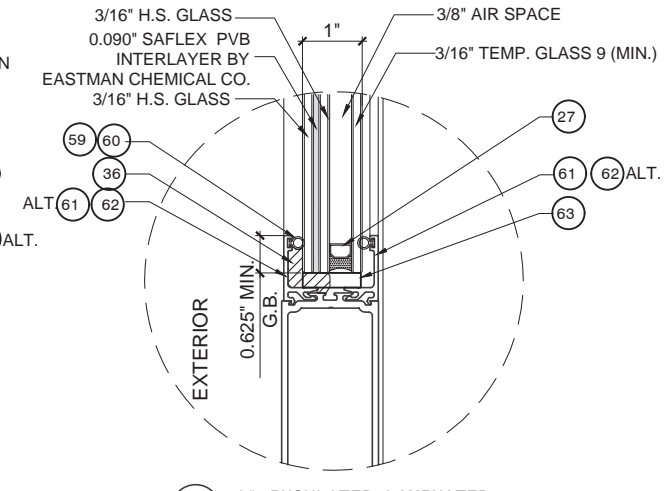
**G4** 1" INSULATED LAMINATED  
GLASS GLAZING DETAIL DOOR  
LEAF (ACT/INACT)



**G5** 1" INSULATED LAMINATED  
GLASS GLAZING DETAIL DOOR  
LEAF (ACT/INACT)



**G6** 1" INSULATED LAMINATED  
GLASS GLAZING DETAIL DOOR  
LEAF (ACT/INACT)



**G7** 1" INSULATED LAMINATED  
GLASS GLAZING DETAIL DOOR  
LEAF (ACT/INACT)

**27** SPACER:  
1/2" AIR SPACE WITH AN ALUMINUM  
SERIES LPXC SPACER BY ALL METAL  
INC. AROUND THE PERIMETER OF  
GLASS.  
**PRIMARY SEALANT:**  
PIB - POLYISOBUTYLENE  
**SECONDARY SEALANT:**  
SILICONE SEALANT



http://www.trulite.com

403 WESTPARK CT. SUITE 201  
PEACHTREE CITY, GA 30269  
p. 800-432-8132 | f. 954-724-2083

PRODUCT:

**351 SERIES  
ALUM OUTSWING  
DOORS  
W/ OR W/O TRANSOM  
(LARGE MISSILE IMPACT)**

REVN	DATE/REMARKS
REV 02	12.20.23/ FBC 2023

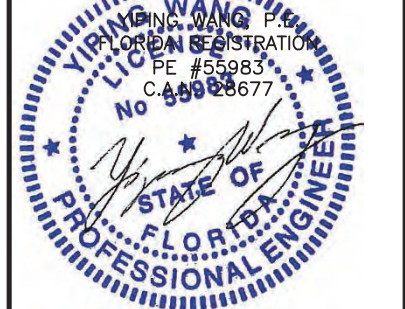
ENGINEER:



**MCY ENGINEERING, INC.**  
GLAZING CONSULTANT

12871 Miramar Pkwy Ste. 301  
Miramar, FL 33027  
P: 305-271-0117  
Email: MCY.Engineering@att.net  
www.MCYEngineering.com

STAMP:



December 20th, 2023

**PRODUCT REVISED**  
as complying with the Florida  
Building Code  
**NOA-No.** 23-1222.08

**Expiration Date** 06/04/2030

By *[Signature]*  
**Miami-Dade Product Control**

SHEET TITLE

**G1**

DRAWN: FRANK

DRAWING No:

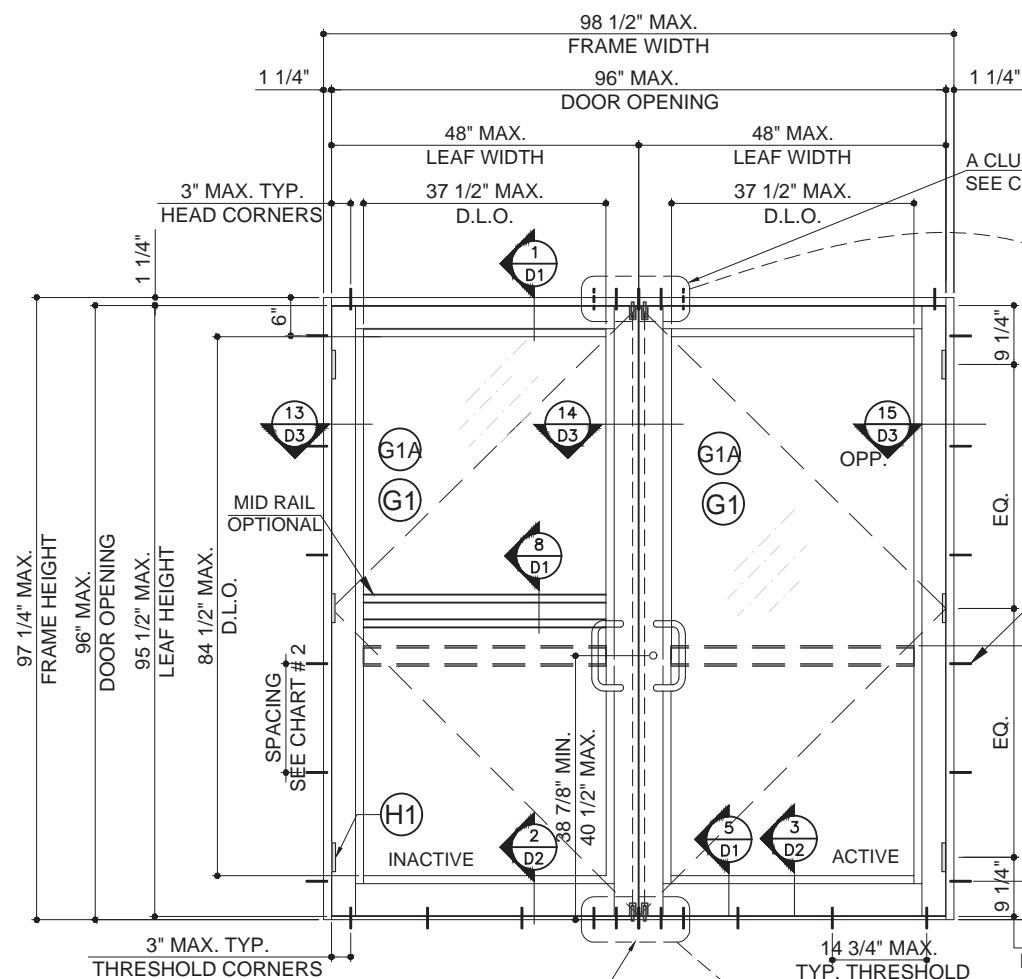
DATE: 12.20.2023

**2 OF 17**

DWG: AD15-23

CHART #1  
NUMBER OF ANCHORS AT MEETING STILE (HEAD)

ANCHOR TYPE	NUMBER OF ANCHORS					
	1/4" SHIM	3/8" SHIM	1/4" SHIM	3/8" SHIM	1/4" SHIM	3/8" SHIM
A	5	5	5	5	5	6
B	3	4	4	5	4	5
C	3	4	3	5	3	5
	< 72" WIDTH		< 84" WIDTH		≤ 96" WIDTH	



OUTSWING DOOR  
WITH 3000 SERIES FRAME  
TYPICAL EXTERIOR ELEVATION  
SEE CHART #4 ON PAGE H1 FOR LOCK OPTIONS

MAX. DESIGN LOAD	
+	70 PSF
-	70 PSF

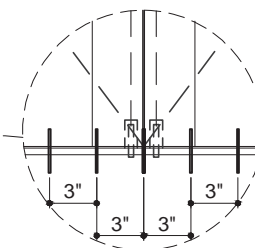
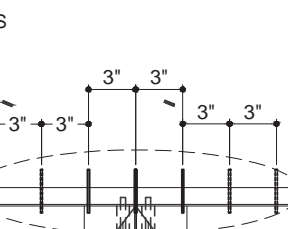
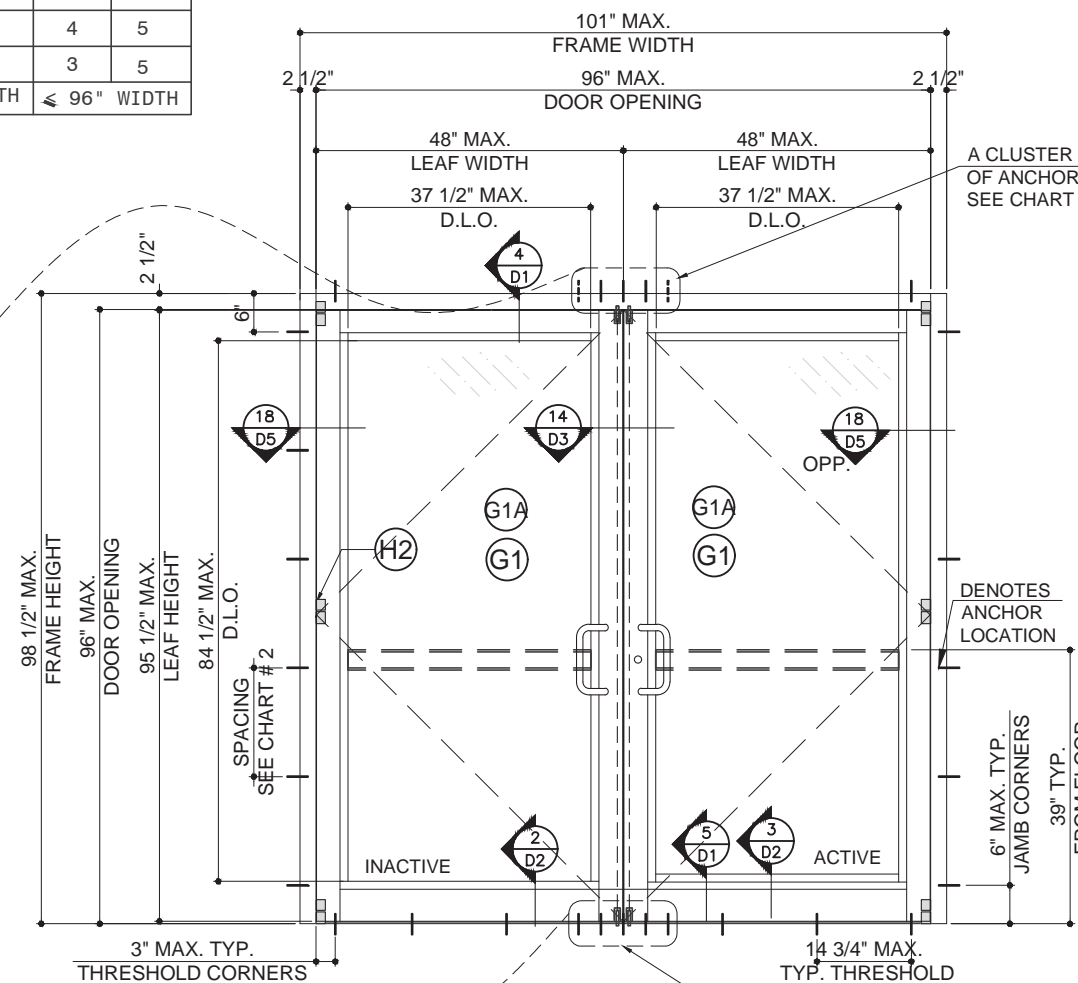


CHART #2

DOOR WIDTH	JAMB ANCHOR SPACING
72"	17"
84"	15"
96"	13"



OUTSWING DOOR  
WITH 5000 SERIES FRAME  
TYPICAL EXTERIOR ELEVATION  
SEE CHART #4 ON PAGE H1 FOR LOCK OPTIONS

MAX. DESIGN LOAD	
+	70 PSF
-	70 PSF

PRODUCT:

351 SERIES  
ALUM OUTSWING  
DOORS  
W/ OR W/O TRANSOM  
(LARGE MISSILE IMPACT)

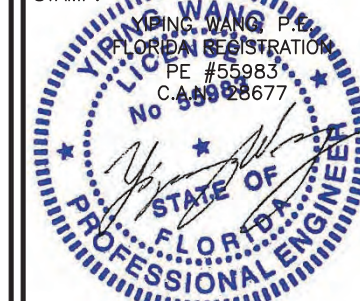
REVN	DATE/REMARKS
REV 02	12.20.23/ FBC 2023

ENGINEER:

MCY ENGINEERING, INC.  
GLAZING CONSULTANT

12871 Miramar Pkwy Ste. 301  
Miramar, FL 33027  
P: 305-271-0117  
Email: MCY.Engineering@att.net  
www.MCYEngineering.com

STAMP:



December 20th, 2023

PRODUCT REVISED  
as complying with the Florida  
Building Code  
NOA-No. 23-1222.08

Expiration Date 06/04/2030

By Miami-Dade Product Control

SHEET TITLE

E01

DRAWN: FRANK

DATE: 12.20.2023

DWG: AD15-23

DRAWING No:

3 OF 17

351 DOOR WITH LAMINATED GLASS OPTION

PRODUCT:

## 351 SERIES ALUM OUTSWING DOORS W/ OR W/O TRANSOM (LARGE MISSILE IMPACT)

REV#	DATE/REMARKS
REV 02	12.20.23/ FBC 2023

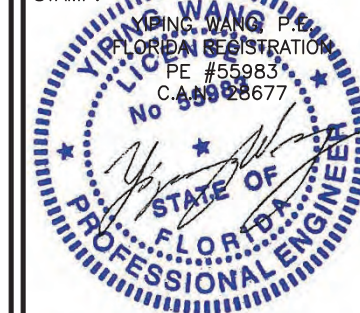
ENGINEER:



**MCY ENGINEERING, INC.**  
GLAZING CONSULTANT

12871 Miramar Pkwy Ste. 301  
Miramar, FL 33027  
P: 305-271-0117  
Email: MCY.Engineering@att.net  
www.MCYEngineering.com

STAMP:



December 20th, 2023

**PRODUCT REVISED**  
as complying with the Florida  
Building Code  
NOA-No. 23-1222.08

Expiration Date 06/04/2030

By *[Signature]*  
**Miami-Dade Product Control**

SHEET TITLE

# E04

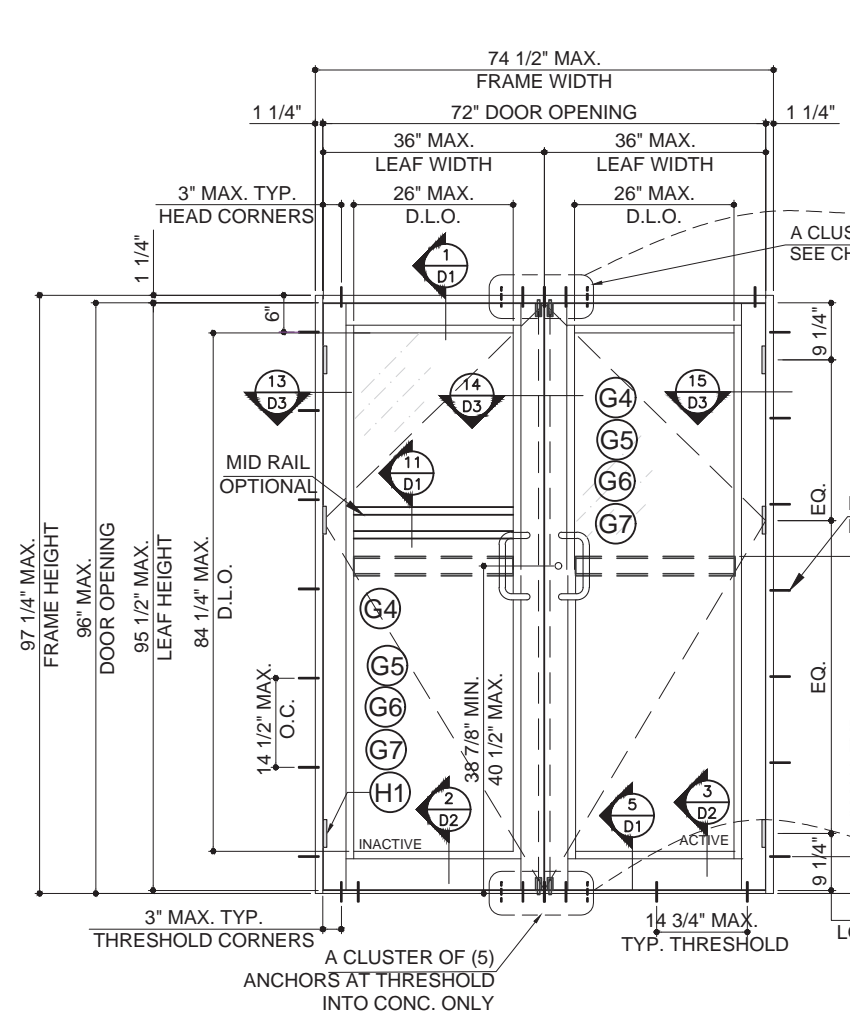
DRAWN: FRANK

DRAWING No:

DATE: 12.20.2023

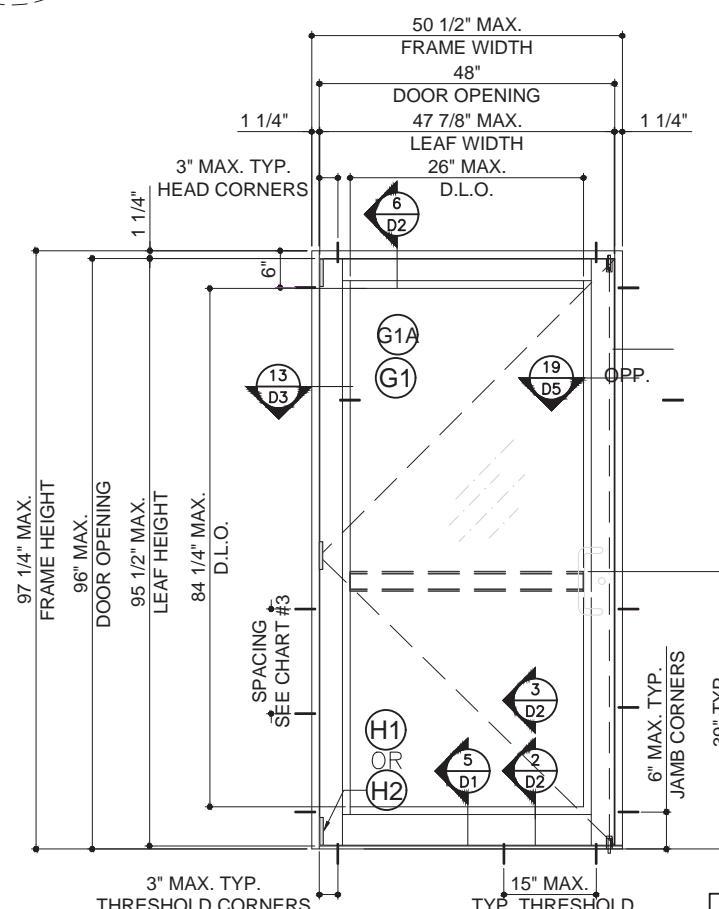
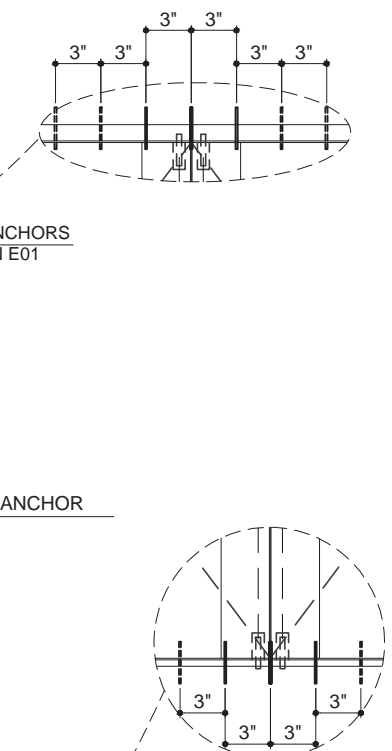
4 OF 17

DWG: AD15-23



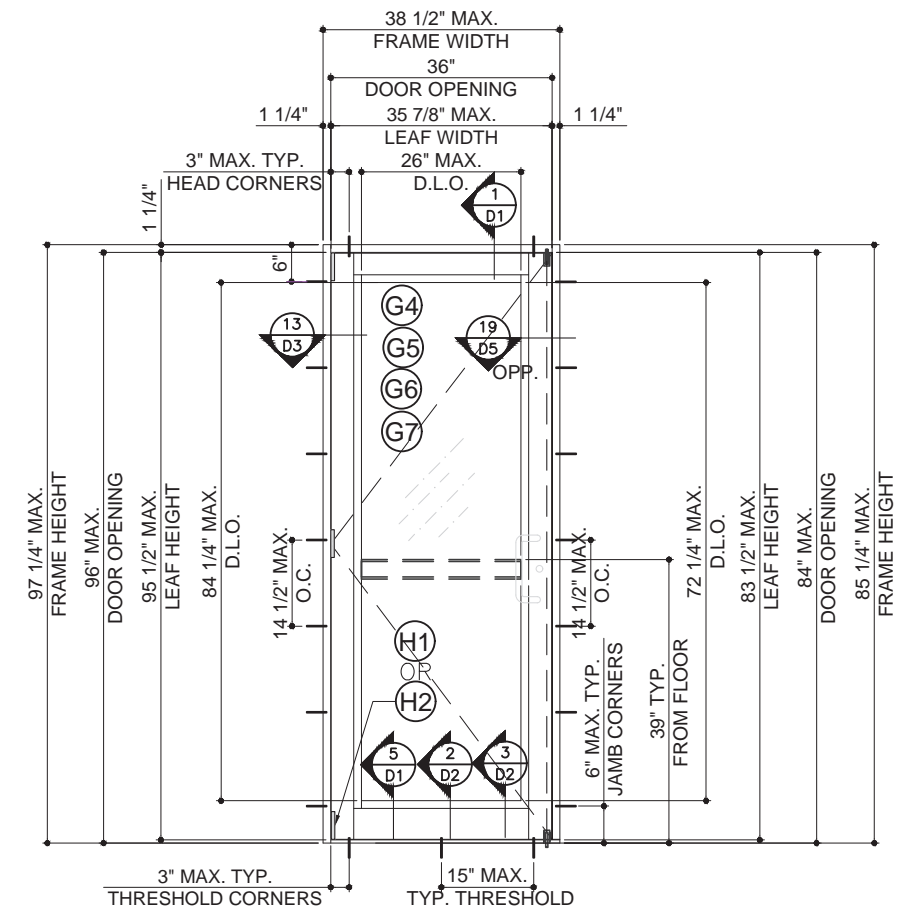
OUTSWING DOOR 72"x 96" MAX. DOUBLE DOOR  
WITH 3000 SERIES FRAME  
TYPICAL EXTERIOR ELEVATION  
INSULATED LAMINATED GLASS OPTION

MAX. DESIGN LOAD
+ 70 PSF
- 70 PSF



OUTSWING SINGLE DOOR  
TYPICAL EXTERIOR ELEVATION  
LAMINATED GLASS OPTION

MAX. DESIGN LOAD
+ 70 PSF
- 70 PSF



OUTSWING SINGLE DOOR  
TYPICAL EXTERIOR ELEVATION  
INSULATED LAMINATED GLASS OPTION

MAX. DESIGN LOAD
+ 70 PSF
- 70 PSF



PRODUCT:

## 351 SERIES ALUM OUTSWING DOORS W/ OR W/O TRANSOM (LARGE MISSILE IMPACT)

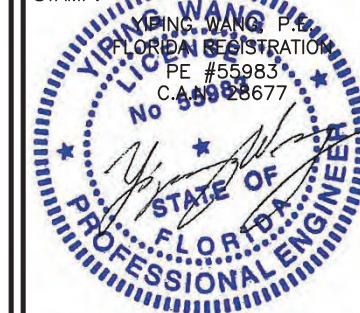
REVN	DATE/REMARKS
REV 02	12.20.23/ FBC 2023

ENGINEER:

**MCY ENGINEERING, INC.**  
GLAZING CONSULTANT

12871 Miramar Pkwy Ste. 301  
Miramar, FL 33027  
P: 305-271-0117  
Email: MCY.Engineering@att.net  
www.MCYEngineering.com

STAMP:



December 20th, 2023

**PRODUCT REVISED**  
as complying with the Florida  
Building Code  
NOA-No. 23-1222.08

Expiration Date 06/04/2030

By *[Signature]*  
**Miami-Dade Product Control**

SHEET TITLE

### E03

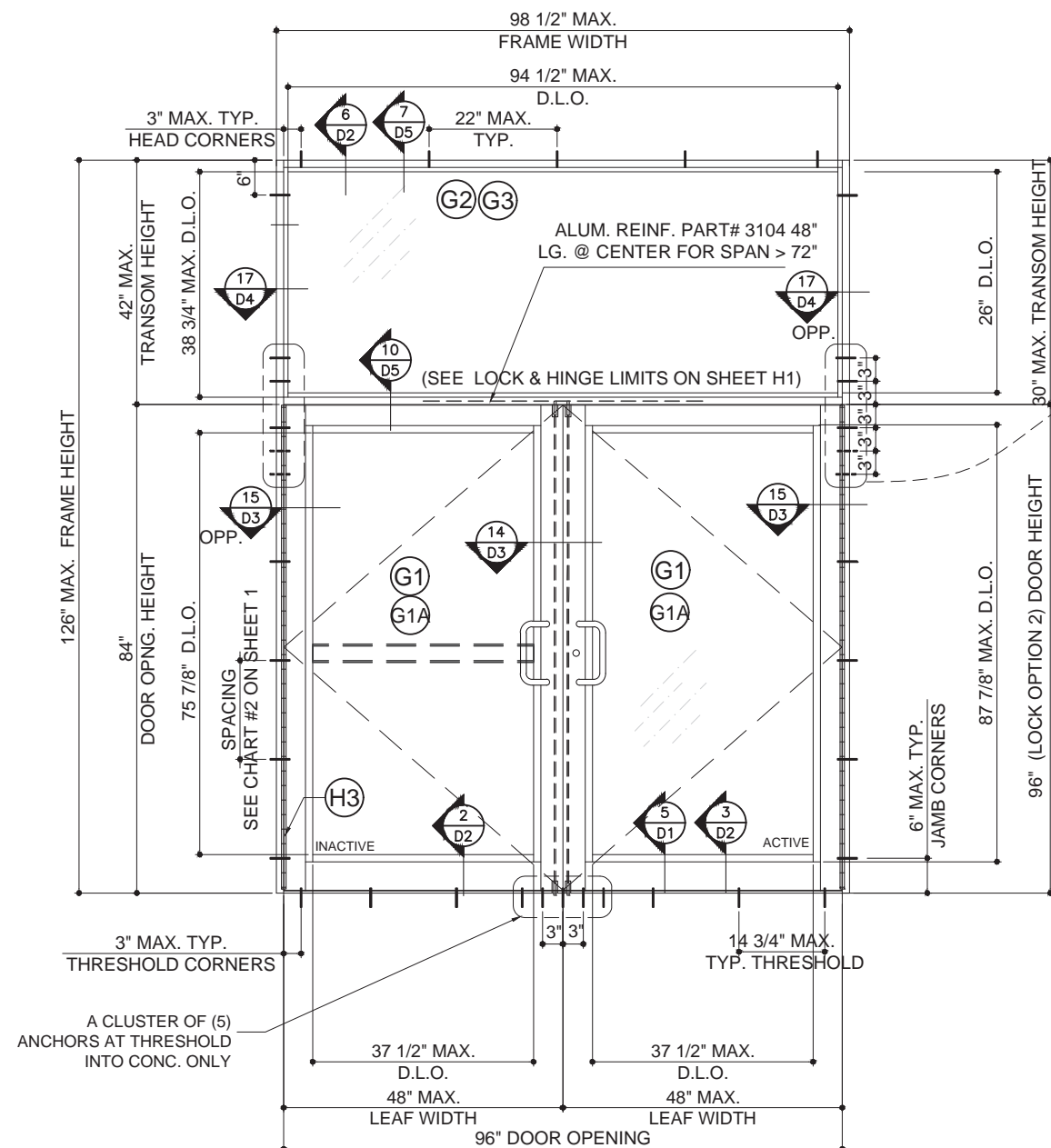
DRAWN: FRANK

DATE: 12.20.2023

DWG: AD15-23

DRAWING No:

5 OF 17



**OUTSWING DOOR WITH TRANSOM**  
TYPICAL EXTERIOR ELEVATION  
SEE CHART #4 ON PAGE H1 FOR LOCK OPTIONS

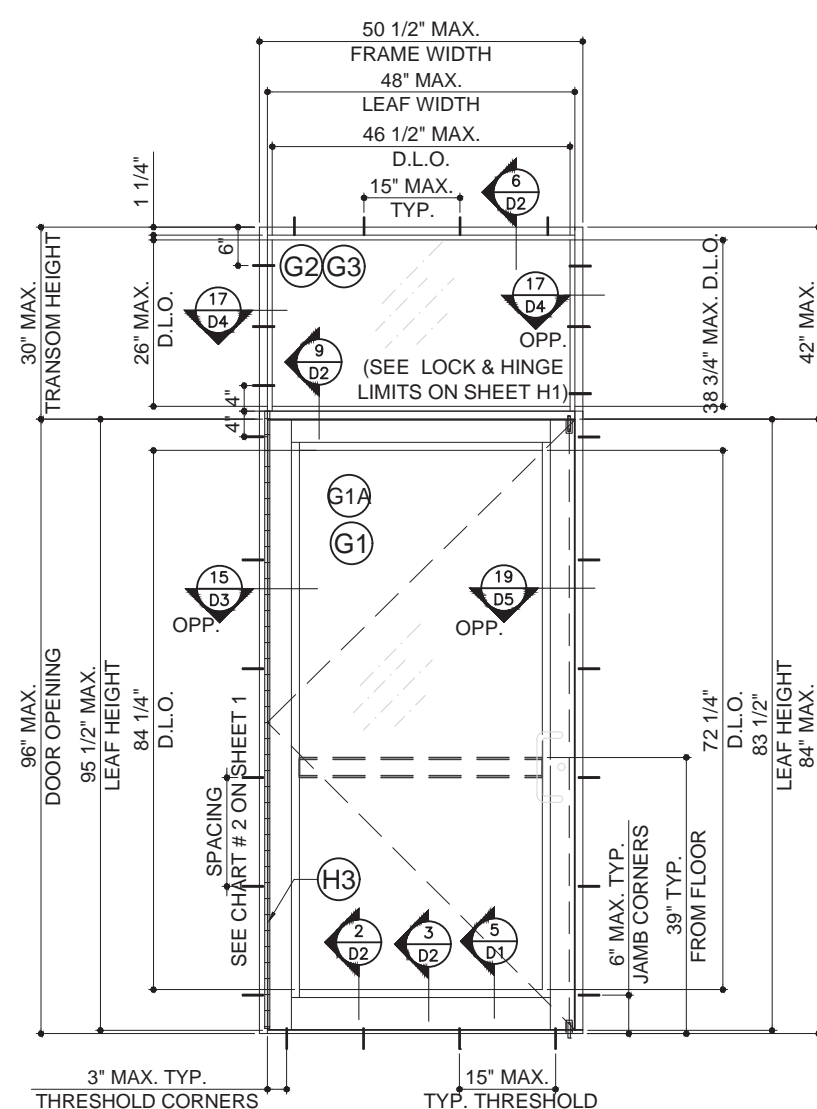
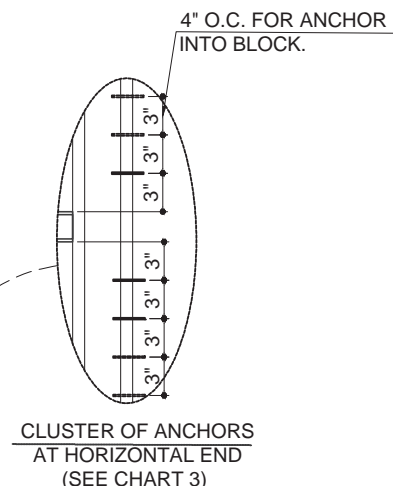
MAX. DESIGN LOAD
+ 70 PSF
- 70 PSF

CHART #3 NUMBER OF ANCHORS AT TRANSOM END

ANCHOR TYPE	NUMBER OF ANCHORS					
	1/4" SHIM	3/8" SHIM	1/4" SHIM	3/8" SHIM	1/4" SHIM	3/8" SHIM
B	4	4	5	5	5	5
	3	4	6	5	6	5
B**	4	4	5	5	6	5
	2	3	3	4	3	4
	≤ 72" WIDTH		≤ 84" WIDTH		≤ 96" WIDTH	

\*\* into CMU with ultracon only

**351 DOOR WITH LAMINATED GLASS OPTION**



**OUTSWING SINGLE DOOR WITH TRANSOM**  
TYPICAL EXTERIOR ELEVATION

MAX. DESIGN LOAD
+ 70 PSF
- 70 PSF

PRODUCT:

**351 SERIES  
ALUM OUTSWING  
DOORS  
W/ OR W/O TRANSOM  
(LARGE MISSILE IMPACT)**

REVN	DATE/REMARKS
REV 02	12.20.23/ FBC 2023

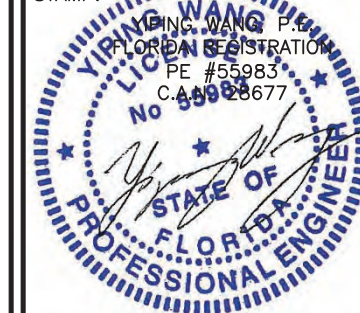
ENGINEER:



**MCY ENGINEERING, INC.**  
GLAZING CONSULTANT

12871 Miramar Pkwy Ste. 301  
Miramar, FL 33027  
P: 305-271-0117  
Email: MCY.Engineering@att.net  
www.MCYEngineering.com

STAMP:



December 20th, 2023

**PRODUCT REVISED**  
as complying with the Florida  
Building Code  
NOA-No. 23-1222.08

Expiration Date 06/04/2030

By   
**Miami-Dade Product Control**

SHEET TITLE

**E02**

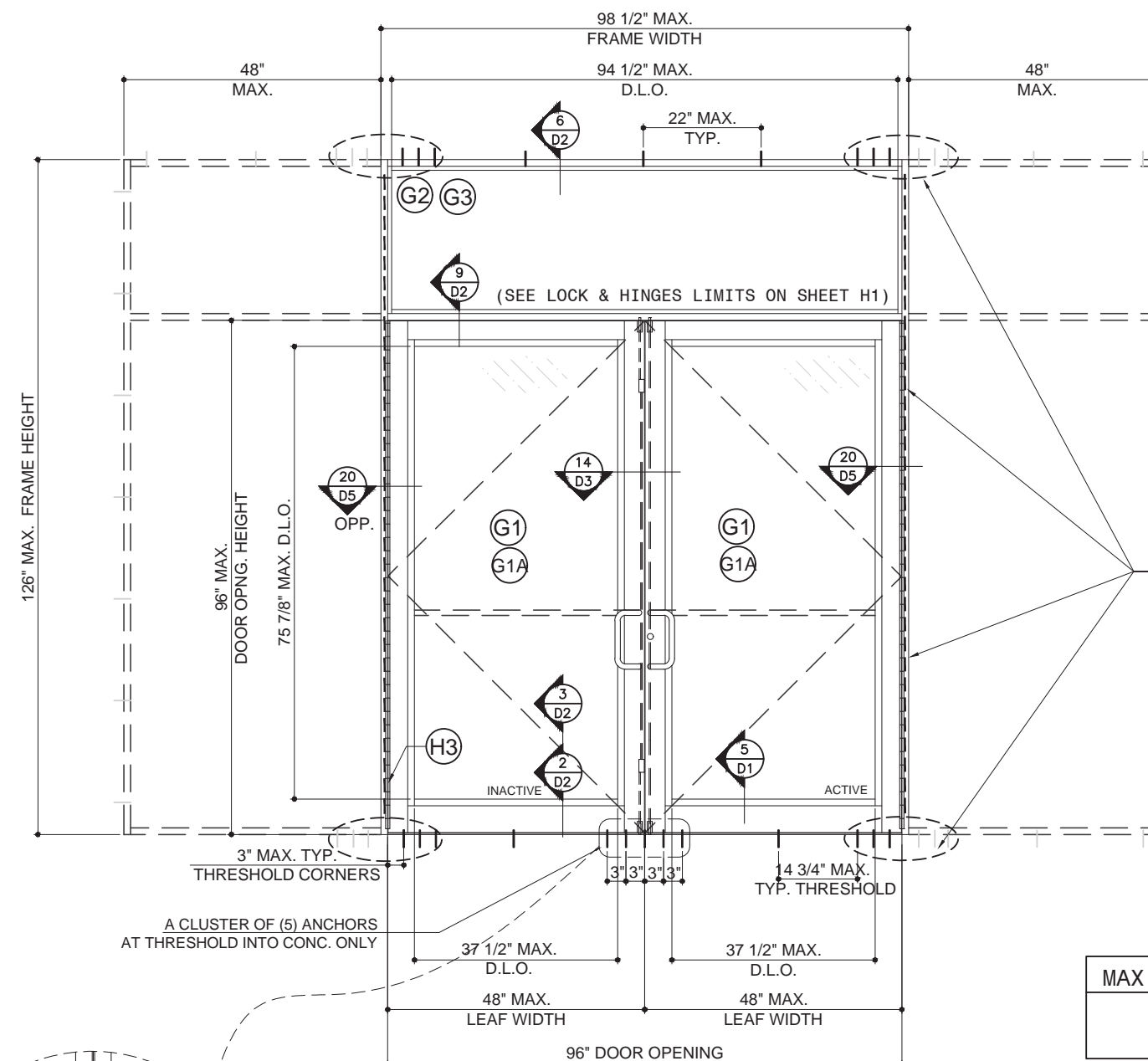
DRAWN: FRANK

DRAWING No:

DATE: 12.20.2023

**6 OF 17**

DWG: AD15-23



SIDELITE, MULLION REINFORCEMENT AND ANCHORS REFER TO SEPARATE WINDOW WALL PRODUCT APPROVAL.

WHEN DOORS OR DOOR WITH TRANSOM ARE MULLED TO STOREFRONT (UNDER SEPARATE APPROVAL) LOWER DESIGN PRESSURE FROM DOOR, DOOR WITH TRANSOM OR STOREFRONT SHALL CONTROL FOR THE ENTIRE ASSEMBLY.

MAX. DESIGN LOAD
+ 70 PSF
- 70 PSF

OUTSWING DOOR WITH OR W/O TRANSOM  
& SIDELITES(UNDER SEPARATE APPROVAL)  
(SINGLE DOOR ALSO APPLIES)

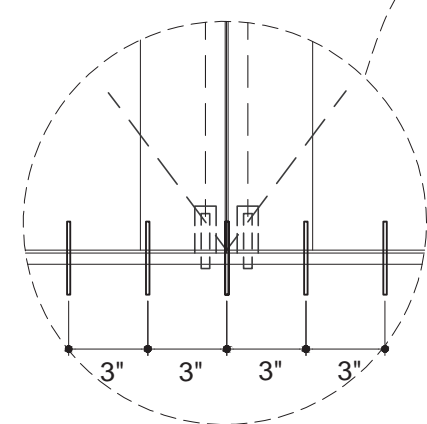


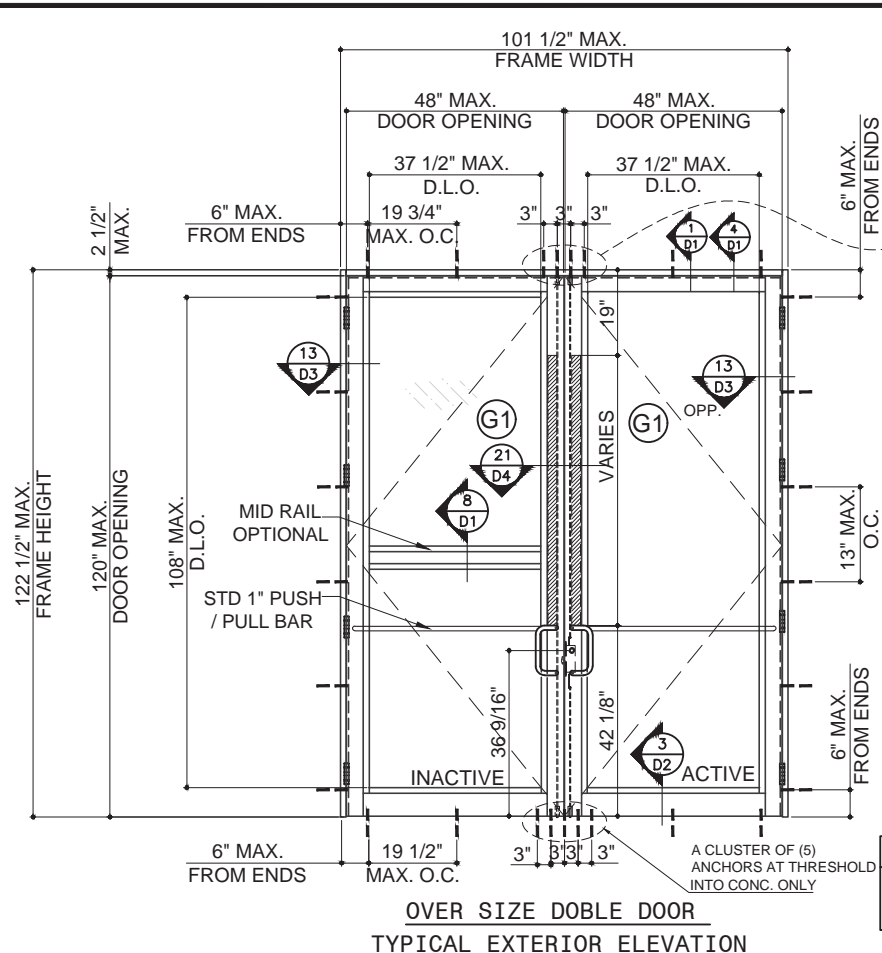
CHART 4  
NUMBER OF ANCHORS AT MEETING STILE HEAD

ANCHOR TYPE	NUMBER OF ANCHORS	
	1/4" SHIM	3/8" SHIM
A	7	7
B	5	7
C	4	6

CHART 5  
NUMBER OF ANCHORS AT MEETING STILE HEAD

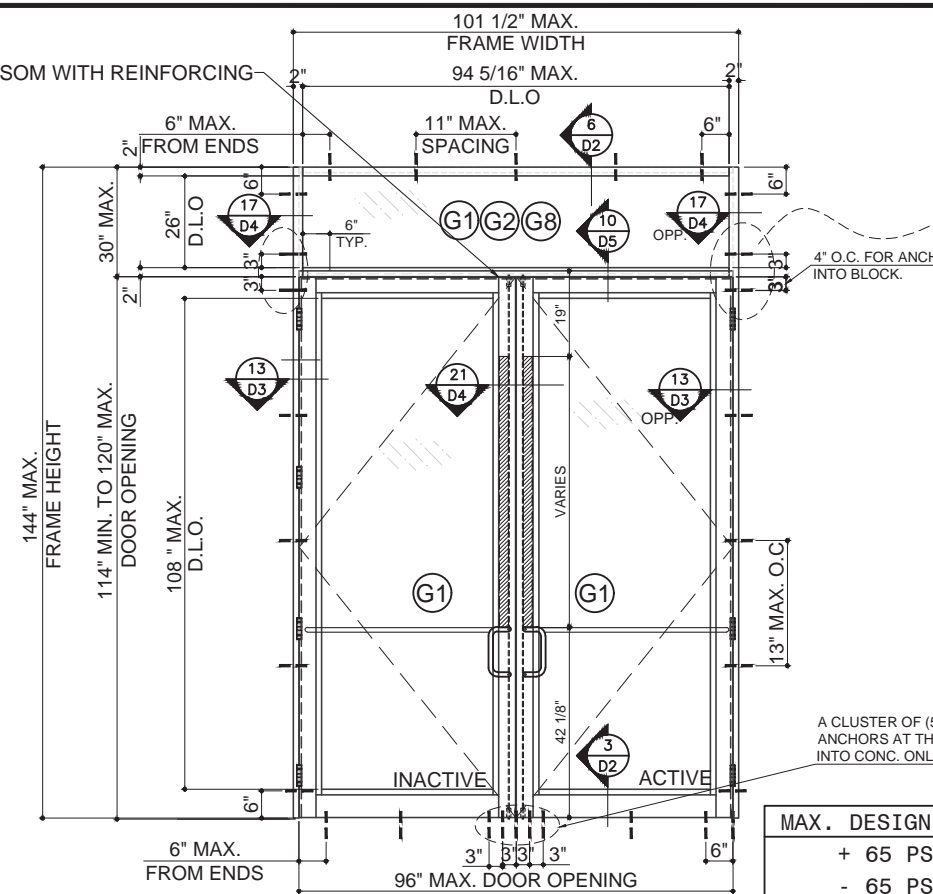
ANCHOR TYPE	NUMBER OF ANCHORS	
	1/4" SHIM	3/8" SHIM
A	6	6
B	4	6
B**	6	6
C	3	5

\*\* into CMU with Ultracon only



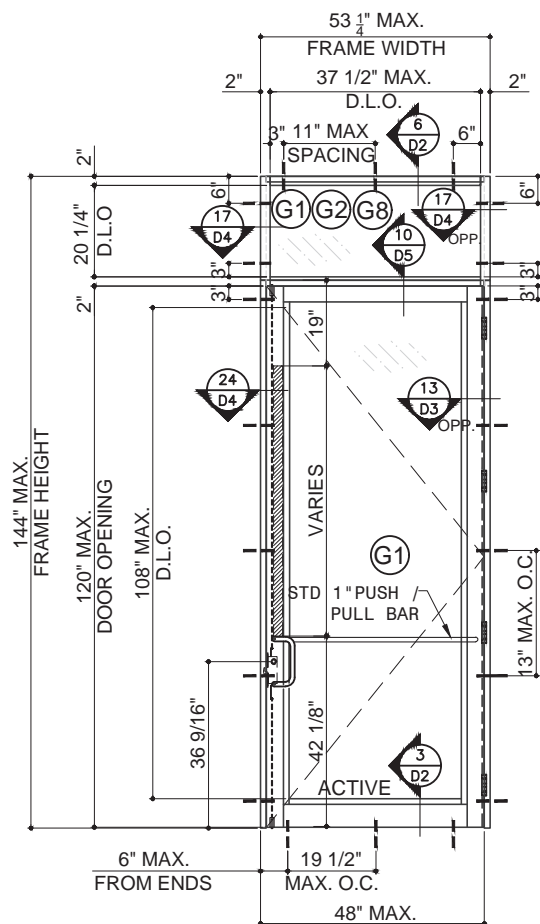
OVER SIZE DOBLE DOOR  
TYPICAL EXTERIOR ELEVATION

MAX. DESIGN LOAD	
+	70 PSF
-	70 PSF



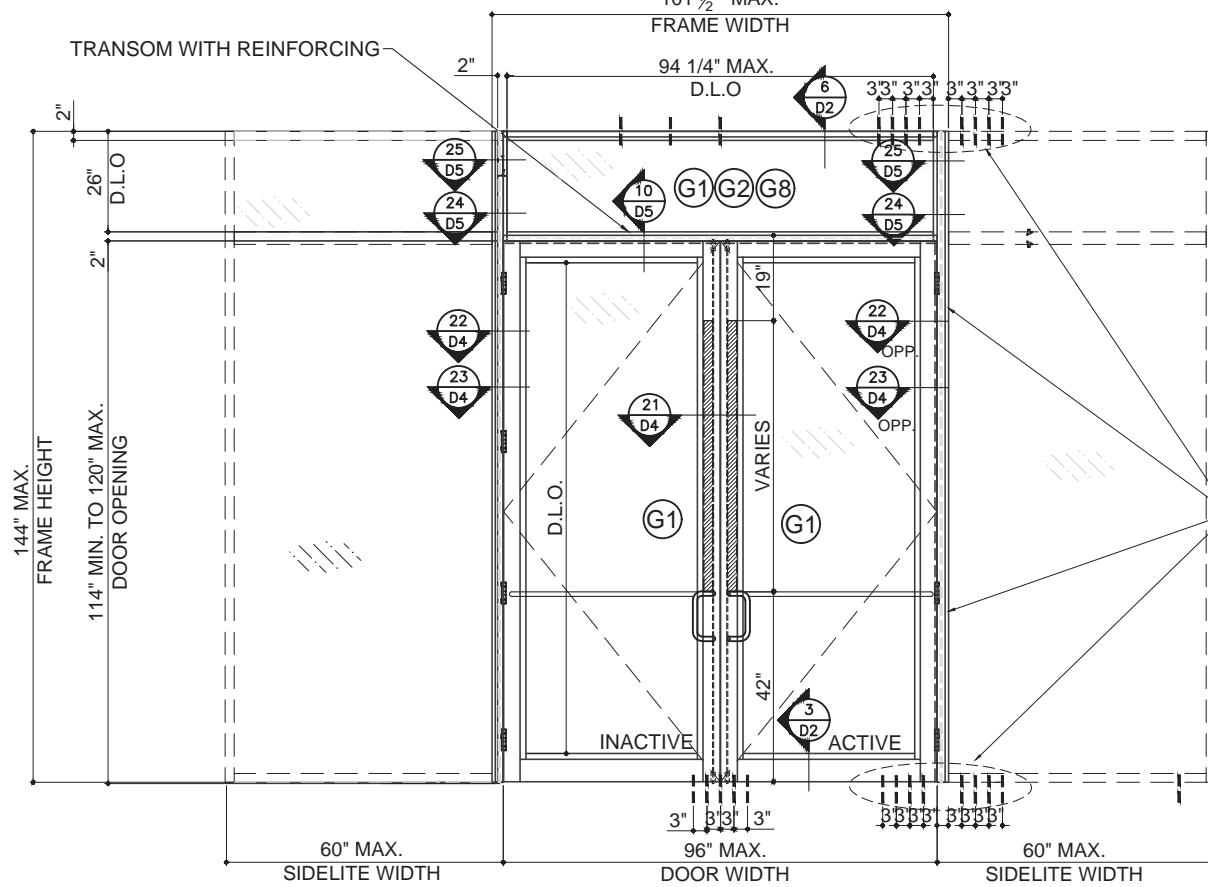
OVER SIZE DOBLE DOOR WITH TRANSOM  
TYPICAL EXTERIOR ELEVATION

MAX. DESIGN LOAD	
+	65 PSF
-	65 PSF



OVER SIZE SINGLE DOOR WITH TRANSOM  
TYPICAL EXTERIOR ELEVATION

MAX. DESIGN LOAD	
+	65 PSF
-	70 PSF



OVER SIZE DOOR WITH OR W/O TRANSOM  
& SIDELITES ( UNDER SEPARATE APPROVAL )  
( SINGLE DOOR ALSO APPLIES )

MAX. DESIGN LOAD	
+	65 PSF
-	65 PSF

SIDELITE, MULLION REINFORCEMENT AND ANCHORS REFER TO SEPARATE PRODUCT APPROVAL.

WHEN DOORS OR DOOR WITH TRANSOM ARE MULLED TO STOREFRONT (UNDER SEPARATE APPROVAL) LOWER DESIGN PRESSURE FROM DOOR, DOOR WITH TRANSOM OR STOREFRONT SHALL CONTROL FOR THE ENTIRE ASSEMBLY.

PRODUCT:

351 SERIES  
ALUM OUTSWING  
DOORS  
W/ OR W/O TRANSOM  
( LARGE MISSILE IMPACT )

REVN	DATE/REMARKS
REV 02	12.20.23/ FBC 2023

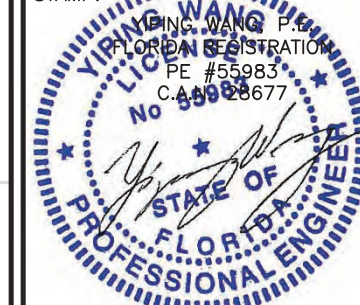
ENGINEER:



**MCY ENGINEERING, INC.**  
GLAZING CONSULTANT

12871 Miramar Pkwy Ste. 301  
Miramar, FL 33027  
P: 305-271-0117  
Email: MCY.Engineering@att.net  
www.MCYEngineering.com

STAMP:



December 20th, 2023

**PRODUCT REVISED**  
as complying with the Florida  
Building Code  
NOA-No. 23-1222.08

Expiration Date 06/04/2030

By   
**Miami-Dade Product Control**

SHEET TITLE

**E05**

DRAWN: FRANK

DRAWING No:

DATE: 12.20.2023

**7 OF 17**

DWG: AD15-23

PRODUCT:

## 351 SERIES ALUM OUTSWING DOORS W/ OR W/O TRANSOM (LARGE MISSILE IMPACT)

REVN	DATE/REMARKS
REV 02	12.20.23/ FBC 2023

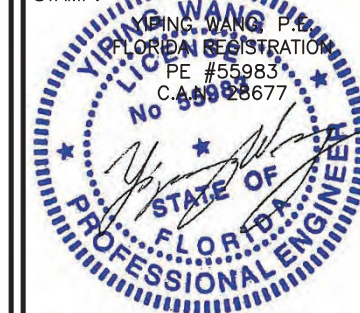
ENGINEER:



**MCY ENGINEERING, INC.**  
GLAZING CONSULTANT

12871 Miramar Pkwy Ste. 301  
Miramar, FL 33027  
P: 305-271-0117  
Email: MCY.Engineering@att.net  
www.MCYEngineering.com

STAMP:



December 20th, 2023

**PRODUCT REVISED**  
as complying with the Florida  
Building Code  
NOA-No. 23-1222.08

Expiration Date 06/04/2030

By **Miami-Dade Product Control**

SHEET TITLE

**D1**

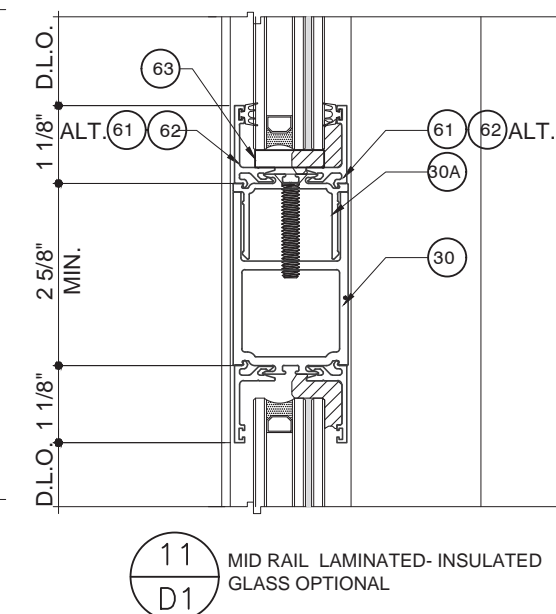
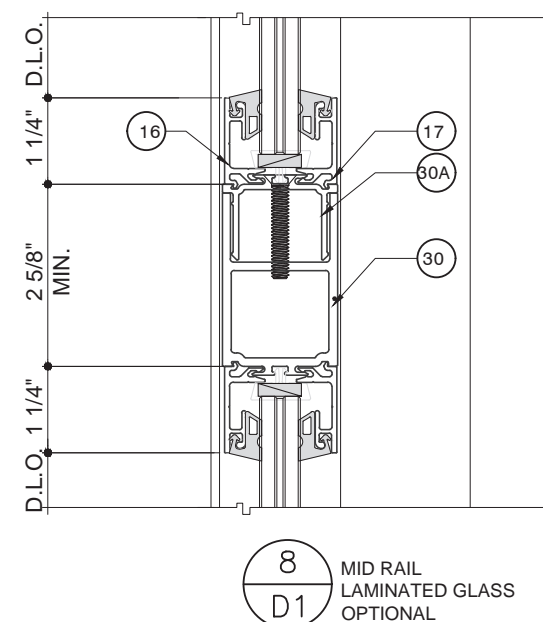
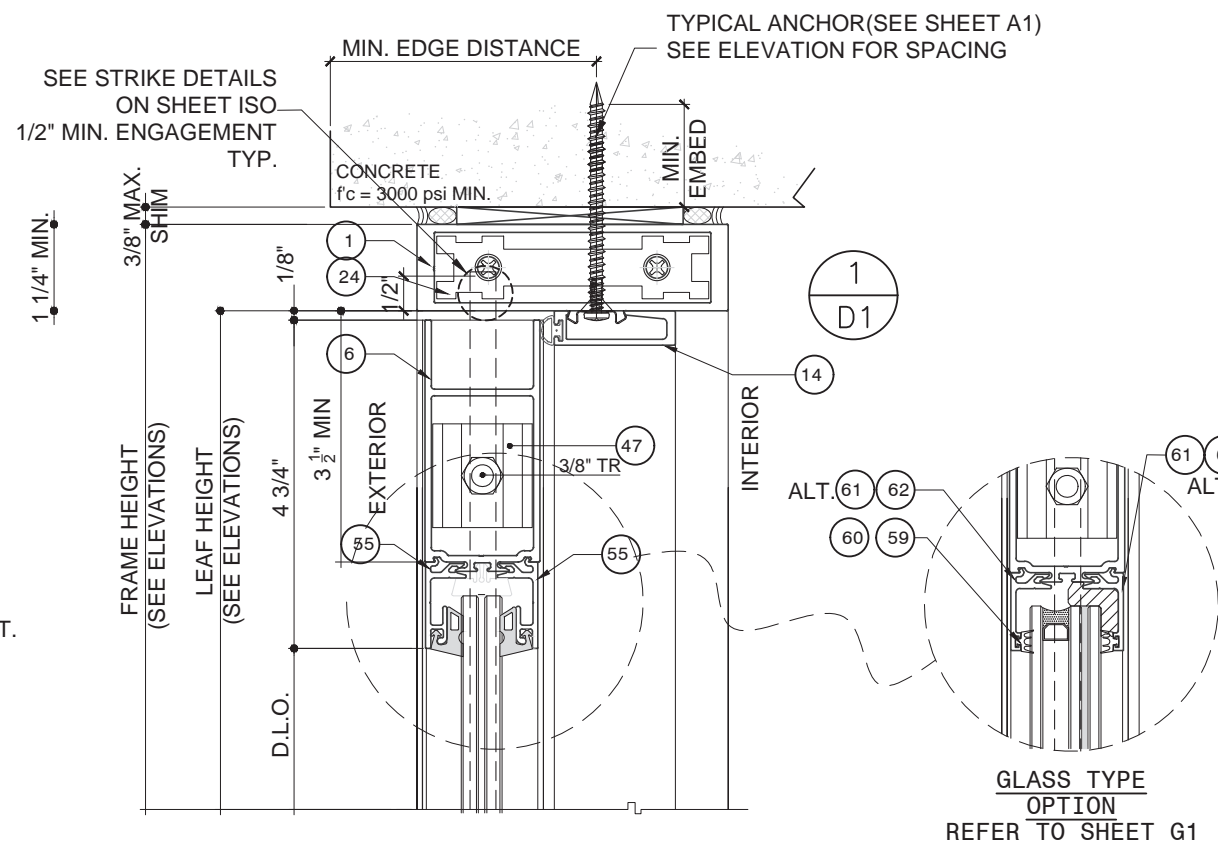
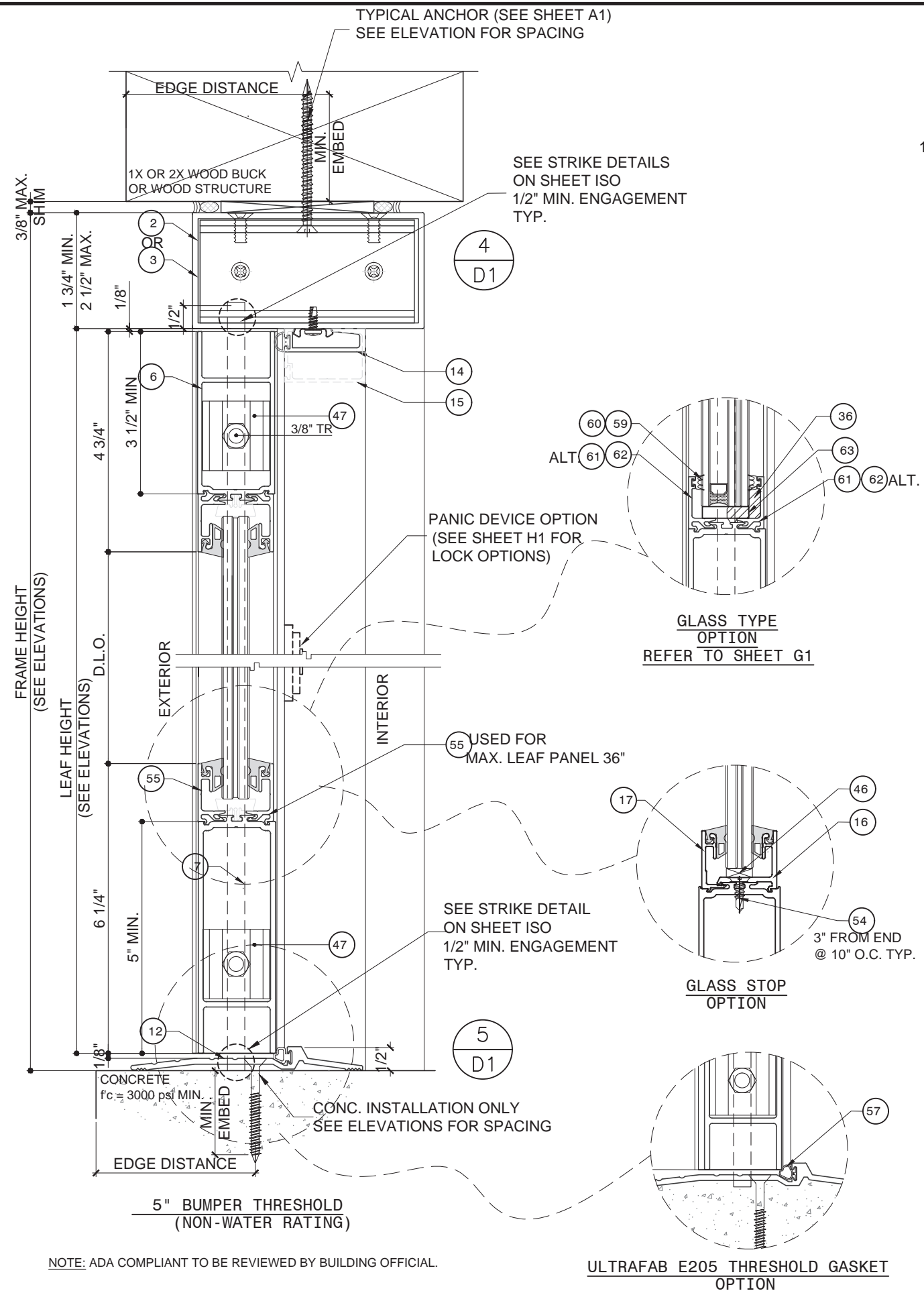
DRAWN: FRANK

DRAWING No:

DATE: 12.20.2023

**8 OF 17**

DWG: AD15-23



PRODUCT:

## 351 SERIES ALUM OUTSWING DOORS W/ OR W/O TRANSOM (LARGE MISSILE IMPACT)

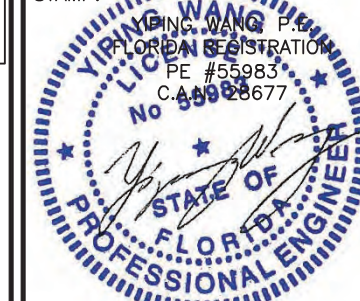
REVN	DATE/REMARKS
REV 02	12.20.23/ FBC 2023

ENGINEER:

**MCY ENGINEERING, INC.**  
GLAZING CONSULTANT

12871 Miramar Pkwy Ste. 301  
Miramar, FL 33027  
P: 305-271-0117  
Email: MCY.Engineering@att.net  
www.MCYEngineering.com

STAMP:



December 20th, 2023

**PRODUCT REVISED**  
as complying with the Florida  
Building Code  
NOA-No. 23-1222.08

Expiration Date 06/04/2030

By *[Signature]*  
**Miami-Dade Product Control**

SHEET TITLE

**D2**

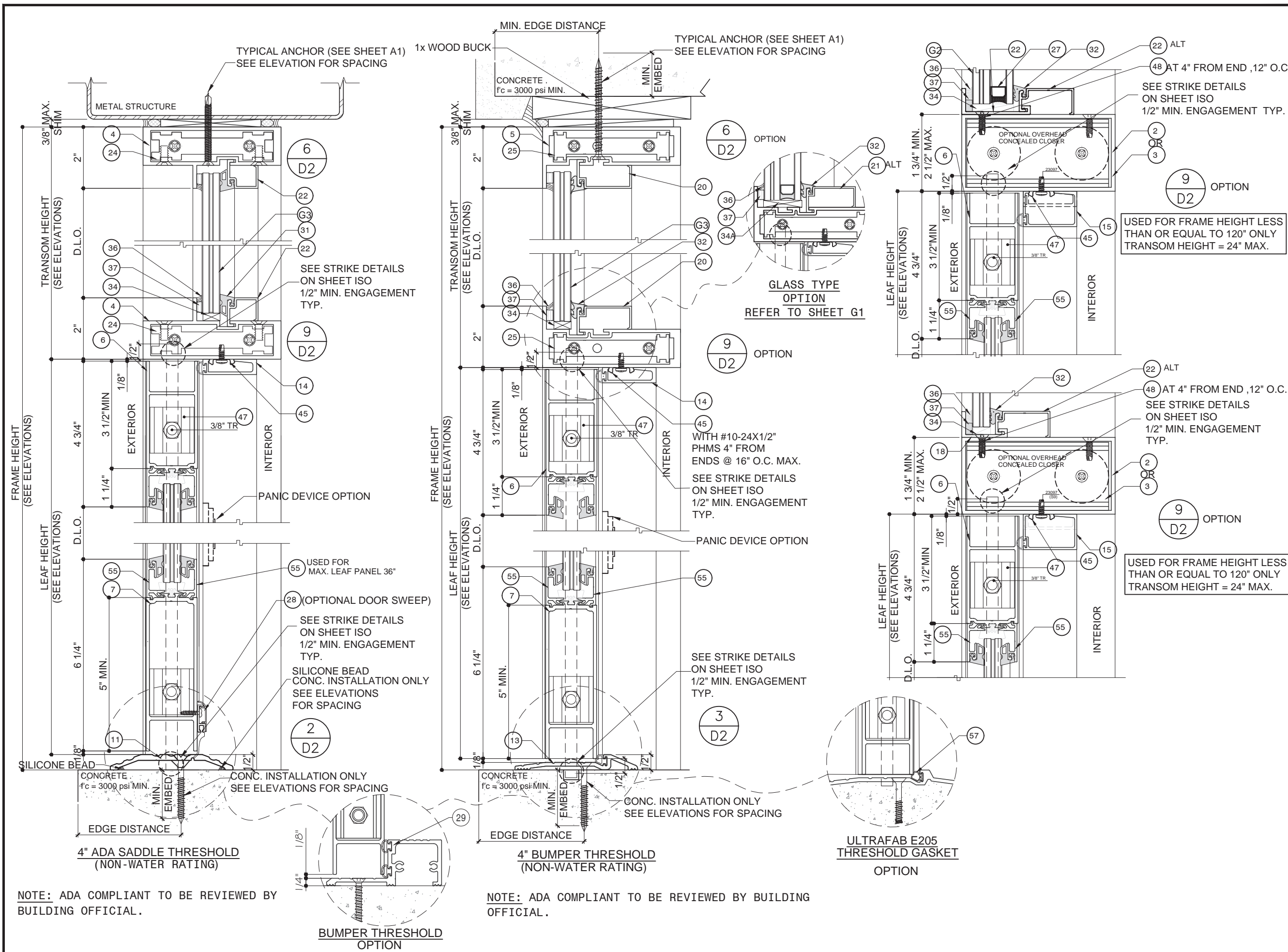
DRAWN: FRANK

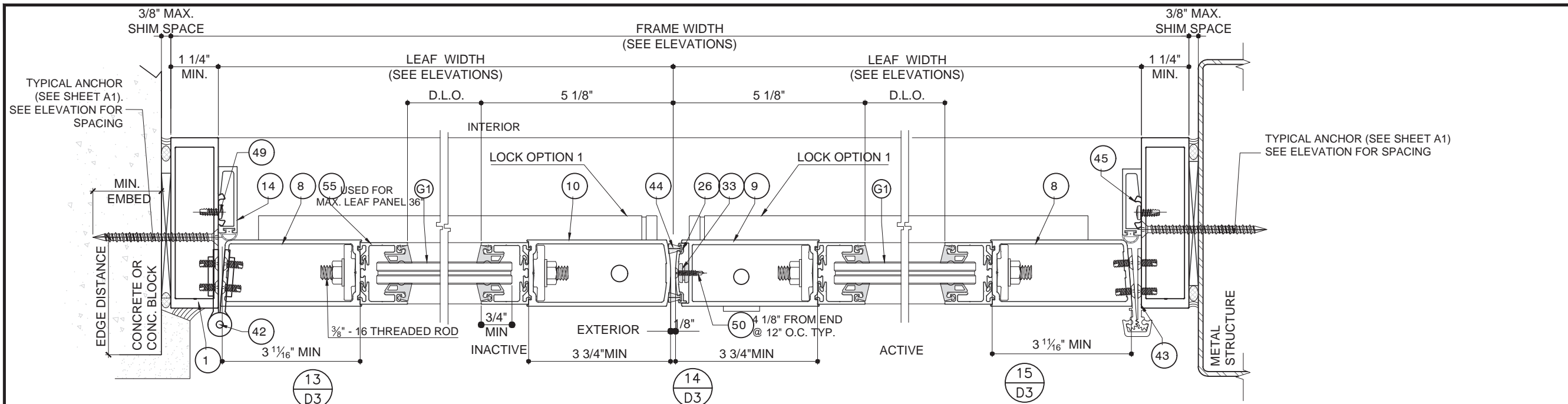
DATE: 12.20.2023

DWG: AD15-23

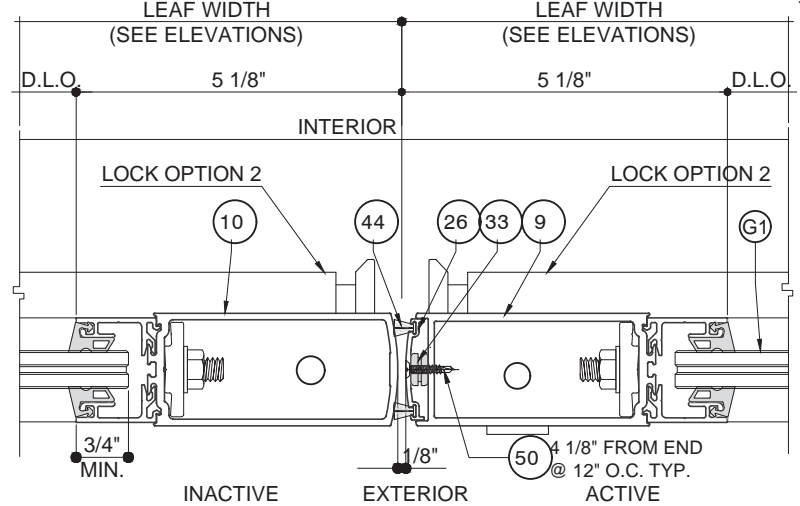
DRAWING No:

**9 OF 17**

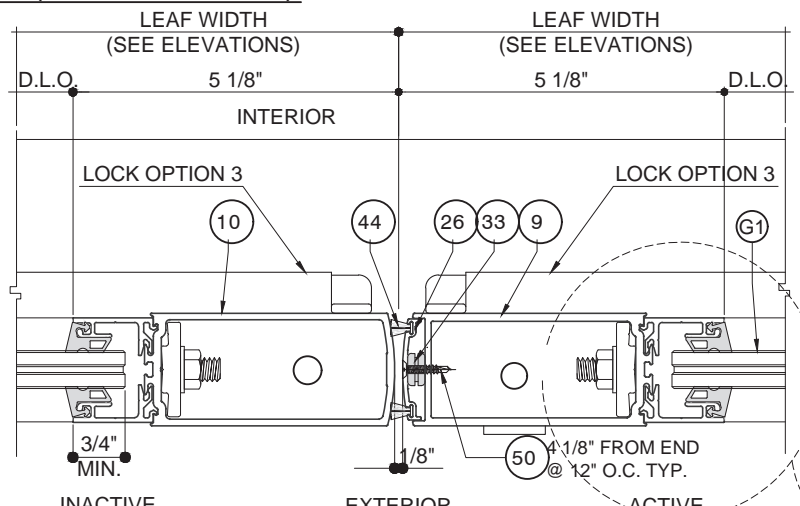




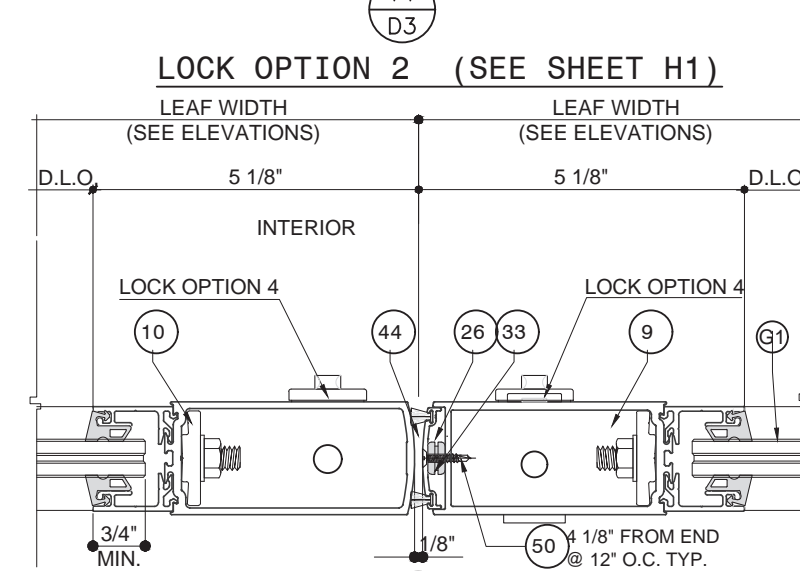
**LOCK OPTION 1 (SEE SHEET H1)**



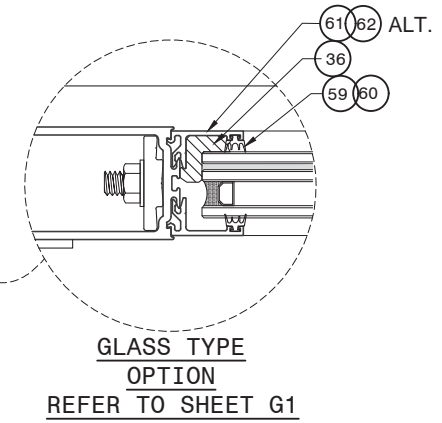
**LOCK OPTION 2 (SEE SHEET H1)**



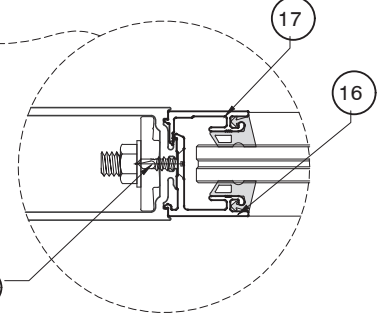
**LOCK OPTION 3 (SEE SHEET H1)**



**LOCK OPTION 4 & 5 (SEE SHEET H1)**



**GLASS TYPE OPTION  
REFER TO SHEET G1**



**GLASS STOP OPTION**

**NOTE:**  
 1- DOOR OR DOOR WITH TRANSOM IS QUALIFIED FOR INSTALLATION INTO APPROVED STOREFRONT(SEE SHEET 2 AND DETAIL E/8).  
 2- REINFORCED STOREFRONT AND END ANCHORS REFER TO SEPARATE PRODUCT APPROVAL, TO BE REVIEWED BY BUILDING OFFICIAL.

**PRODUCT:**  
**351 SERIES  
 ALUM OUTSWING  
 DOORS  
 W/ OR W/O TRANSOM  
 (LARGE MISSILE IMPACT)**

REV#	DATE/REMARKS
REV 02	12.20.23/ FBC 2023

**ENGINEER:**  
  
**MCY ENGINEERING, INC.**  
 GLAZING CONSULTANT

12871 Miramar Pkwy Ste. 301  
 Miramar, FL 33027  
 P: 305-271-0117  
 Email: [MCY.Engineering@att.net](mailto:MCY.Engineering@att.net)  
[www.MCYEngineering.com](http://www.MCYEngineering.com)

**STAMP:**  
  
 December 20th, 2023

**PRODUCT REVISED**  
 as complying with the Florida  
 Building Code  
**NOA-No.** 23-1222.08  
**Expiration Date** 06/04/2030

By   
**Miami-Dade Product Control**

SHEET TITLE  
**D3**

DRAWN: FRANK	DRAWING No:
DATE: 12.20.2023	<b>10 OF 17</b>
DWG: AD15-23	

PRODUCT:

## 351 SERIES ALUM OUTSWING DOORS W/ OR W/O TRANSOM (LARGE MISSILE IMPACT)

REVN	DATE/REMARKS
REV 02	12.20.23/ FBC 2023

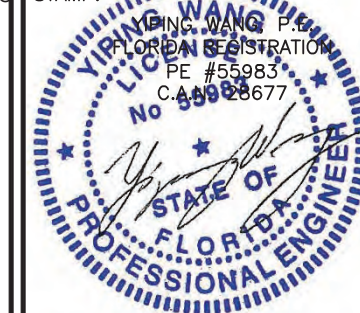
ENGINEER:



**MCY ENGINEERING, INC.**  
GLAZING CONSULTANT

12871 Miramar Pkwy Ste. 301  
Miramar, FL 33027  
P: 305-271-0117  
Email: MCY.Engineering@att.net  
www.MCYEngineering.com

STAMP:



December 20th, 2023

**PRODUCT REVISED**  
as complying with the Florida  
Building Code  
NOA-No. 23-1222.08

Expiration Date 06/04/2030

By   
**Miami-Dade Product Control**

SHEET TITLE

**D4**

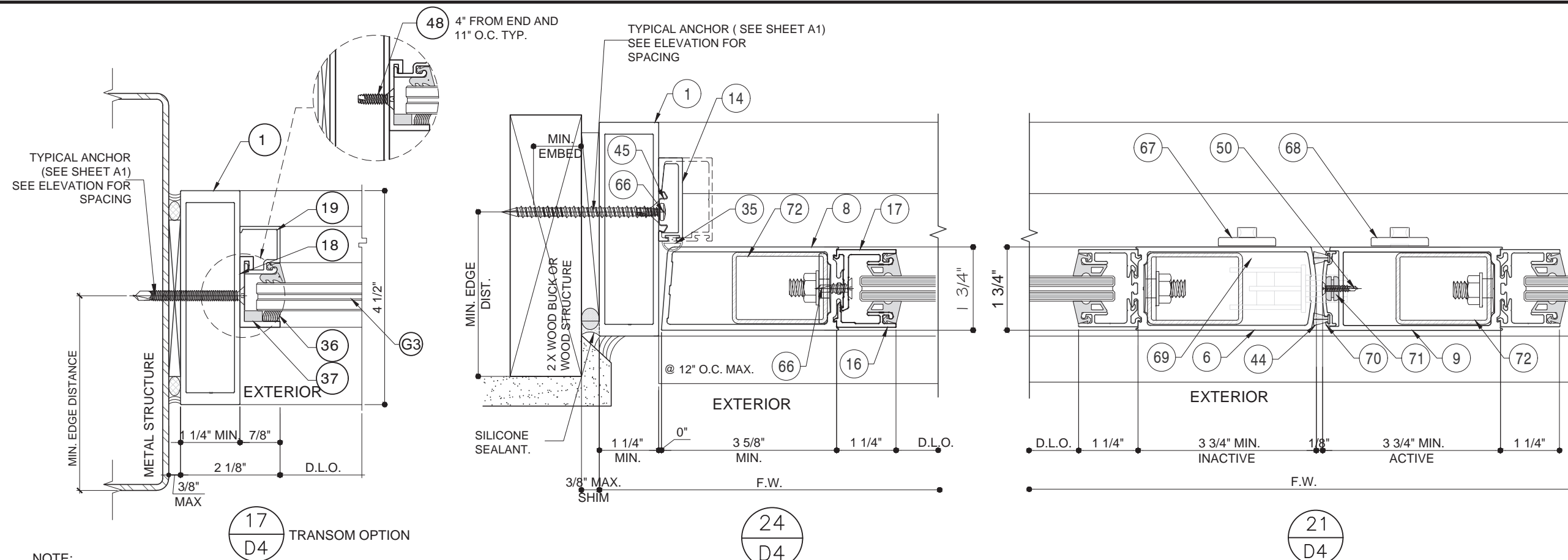
DRAWN: FRANK

DATE: 12.20.2023

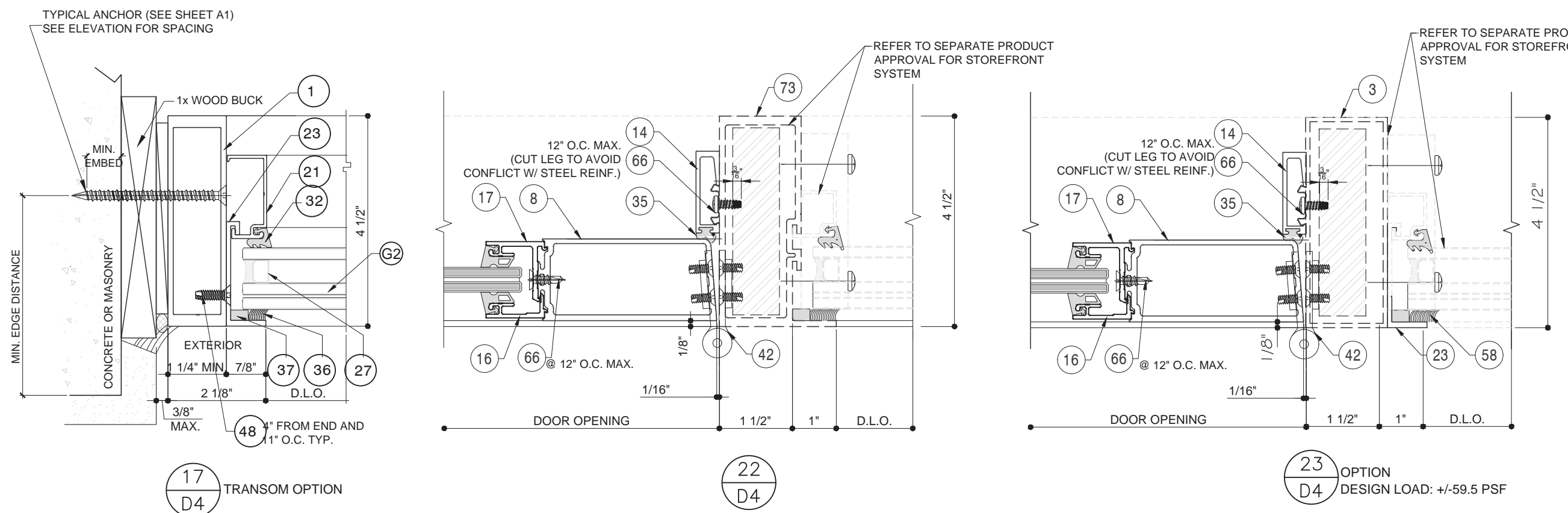
DWG: AD15-23

DRAWING No:

**11 OF 17**



NOTE:  
1- DOOR OR DOOR WITH TRANSOM IS QUALIFIED FOR INSTALLATION INTO APPROVED STOREFRONT (SEE SHEET 2 AND DETAIL E/8).  
2- REINFORCED STOREFRONT AND END ANCHORS REFER TO SEPARATE PRODUCT APPROVAL, TO BE REVIEWED BY BUILDING OFFICIAL.



**17**  
D4 TRANSOM OPTION

**22**  
D4

**23**  
D4 OPTION  
DESIGN LOAD: +/-59.5 PSF

PRODUCT:

## 351 SERIES ALUM OUTSWING DOORS W/ OR W/O TRANSOM (LARGE MISSILE IMPACT)

REVN	DATE/REMARKS
REV 02	12.20.23/ FBC 2023

ENGINEER:



**MCY ENGINEERING, INC.**  
GLAZING CONSULTANT

12871 Miramar Pkwy Ste. 301  
Miramar, FL 33027  
P: 305-271-0117  
Email: MCY.Engineering@att.net  
www.MCYEngineering.com

STAMP:



December 20th, 2023

**PRODUCT REVISED**  
as complying with the Florida  
Building Code  
NOA-No. 23-1222.08

Expiration Date 06/04/2030

By   
**Miami-Dade Product Control**

SHEET TITLE

**D5**

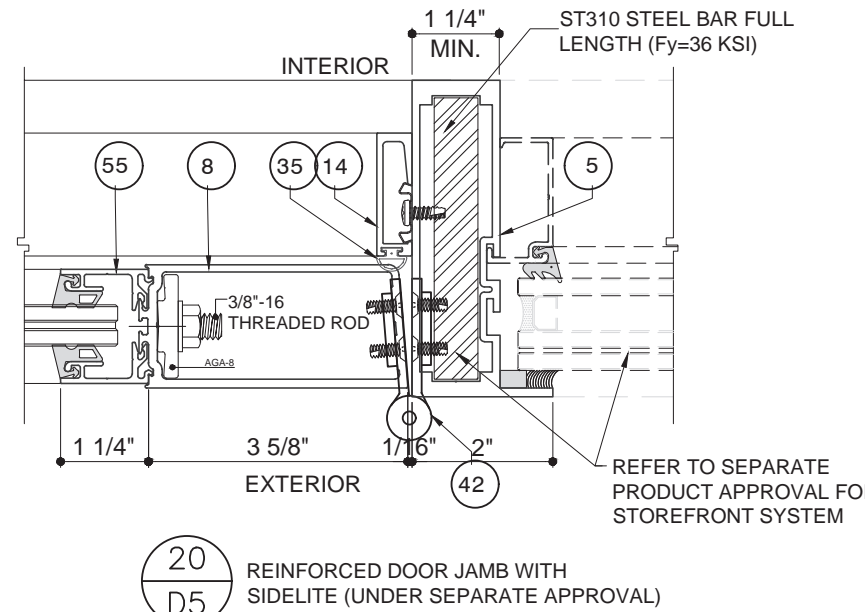
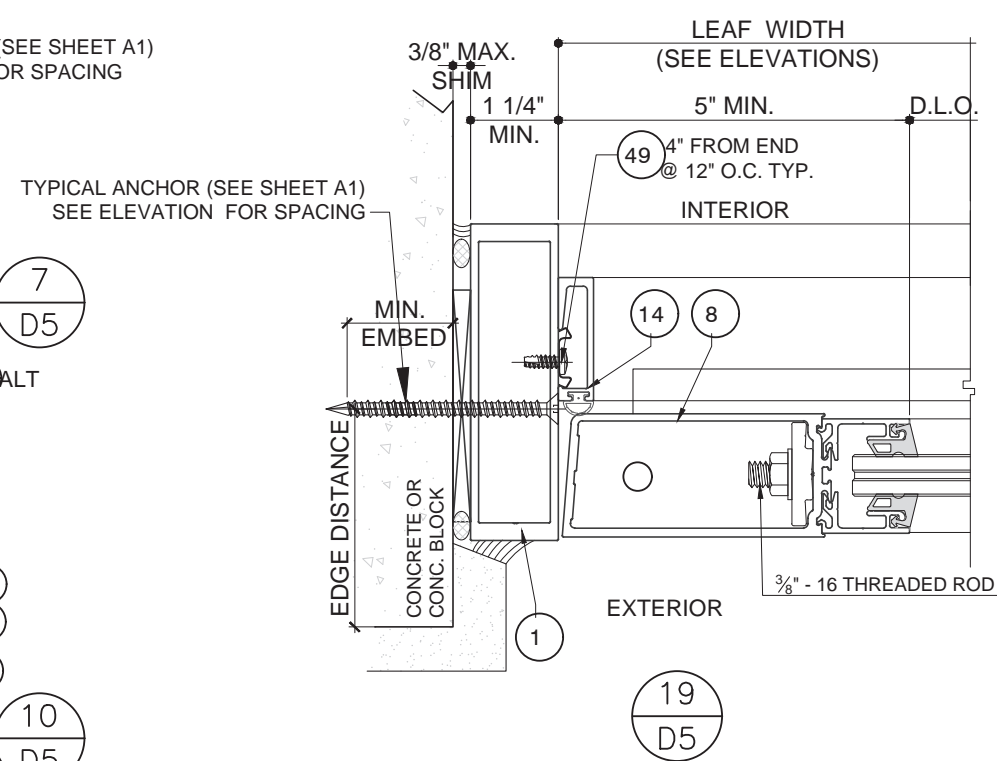
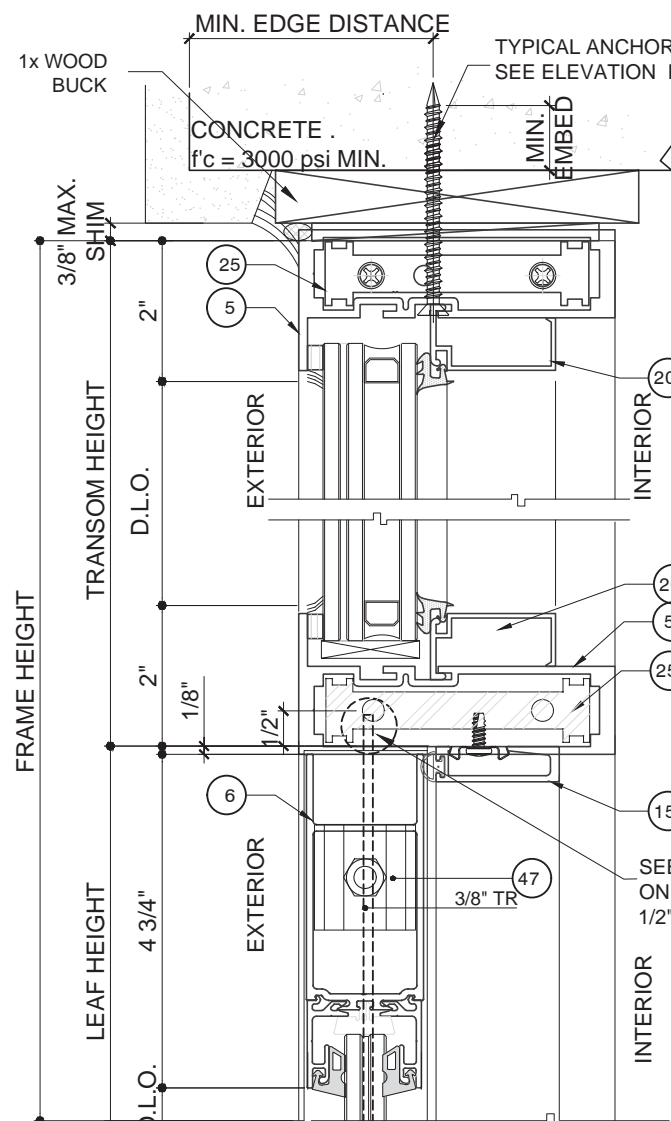
DRAWN: FRANK

DATE: 12.20.2023

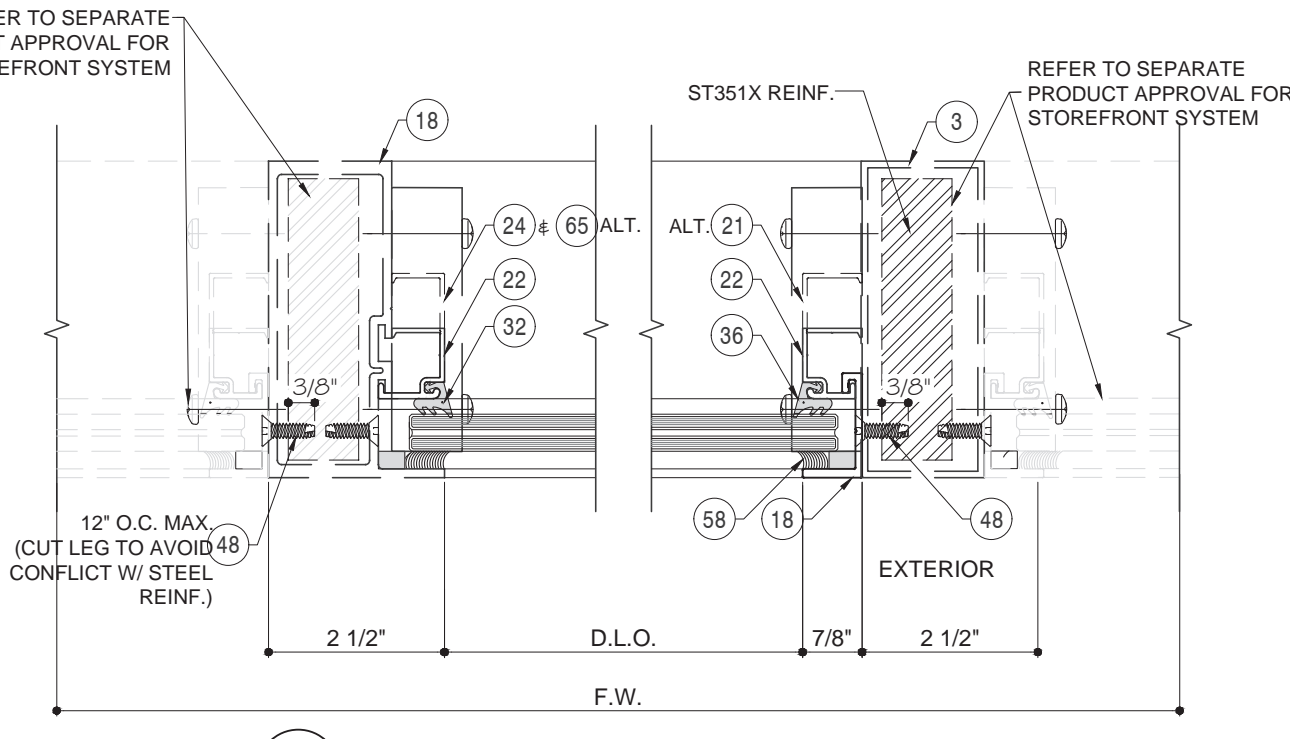
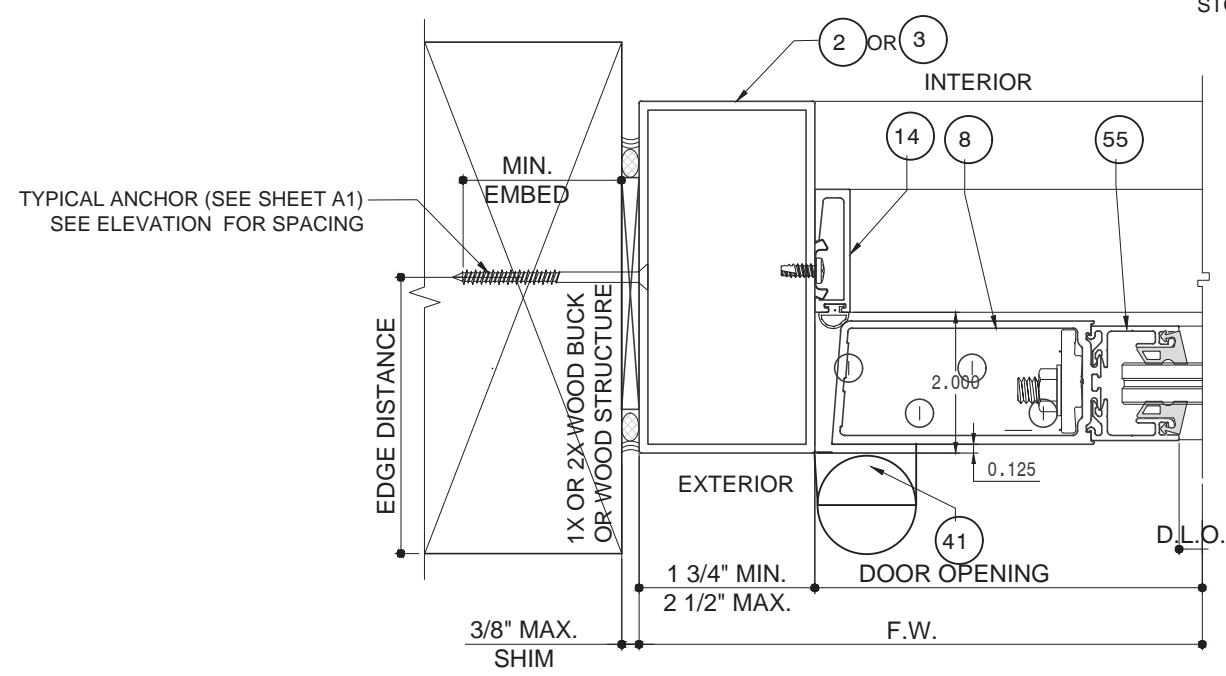
DWG: AD15-23

DRAWING No:

**12 OF 17**



NOTE:  
END LOAD, ANCHORS TO BE REVIEWED BY  
AUTHORITY HAVING JURISDICTION



18  
D5 APPLICABLE TO SINGLE  
AND DOUBLE DOORS

25  
D5

24  
D5



PRODUCT:

**351 SERIES  
ALUM OUTSWING  
DOORS  
W/ OR W/O TRANSOM  
(LARGE MISSILE IMPACT)**

REVN	DATE/REMARKS
REV 02	12.20.23/ FBC 2023

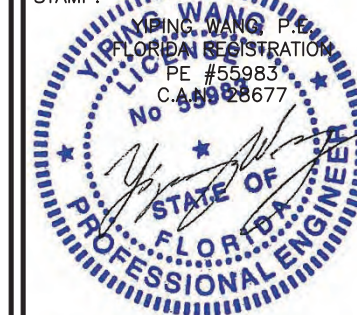
ENGINEER:



**MCY ENGINEERING, INC.**  
GLAZING CONSULTANT

12871 Miramar Pkwy Ste. 301  
Miramar, FL 33027  
P: 305-271-0117  
Email: MCY.Engineering@att.net  
www.MCYEngineering.com

STAMP:



December 20th, 2023

**PRODUCT REVISED**  
as complying with the Florida  
Building Code  
NOA-No. 23-1222.08

Expiration Date 06/04/2030

By   
**Miami-Dade Product Control**

SHEET TITLE

**A1**

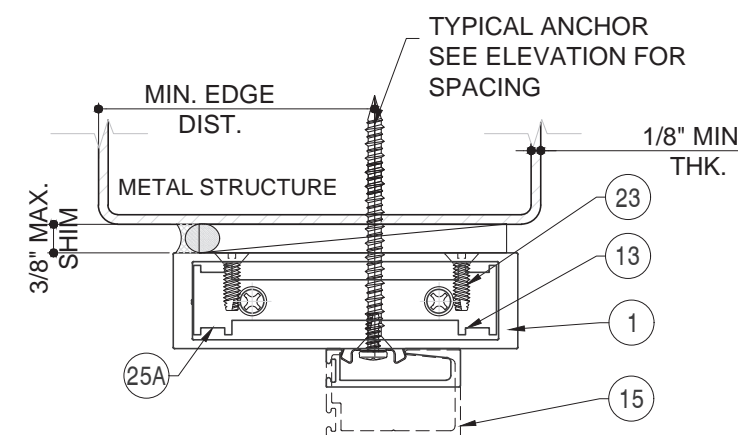
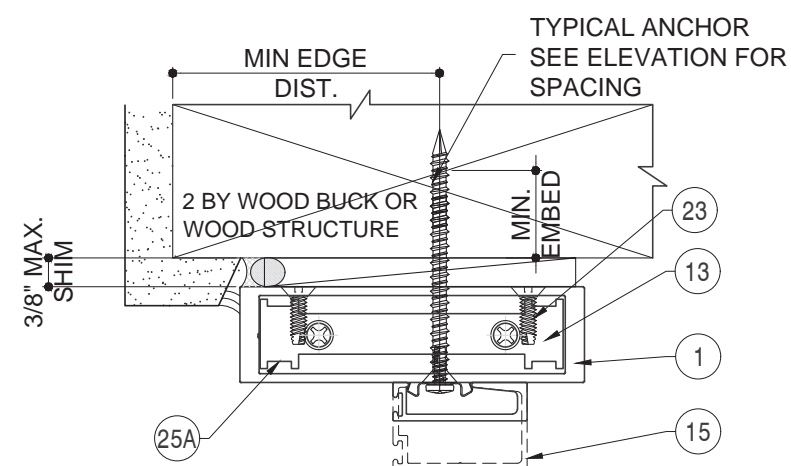
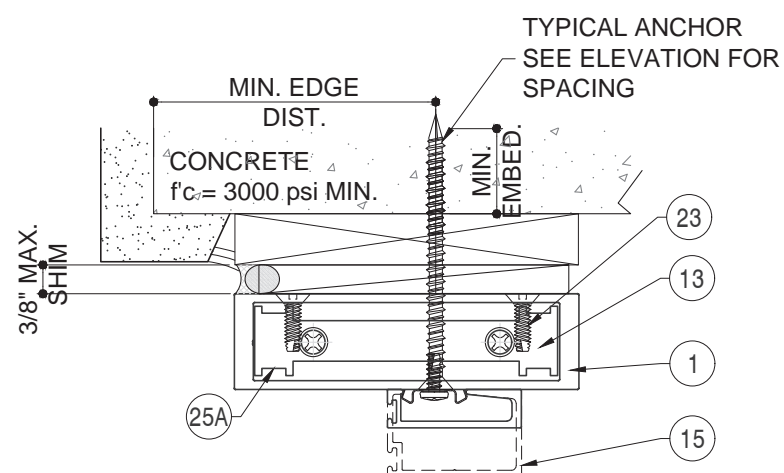
DRAWN: FRANK

DRAWING No:

DATE: 12.20.2023

13 OF 17

DWG: AD15-23



TYPICAL ANCHORS: SEE ELEV. FOR SPACING

TYPE A: 1/4" DIA. ULTRACON+ BY DEWALT (Fu=164 ksi Fy=148 ksi)  
OR 1/4" DIA. TAPCON (Fu=120 ksi Fy=92 ksi)

- THRU 1BY OR 2BY WOOD BUCKS  
1-3/4" MIN. EMBED INTO CONC.@ HEAD/SILL  
1-3/4" MIN. EMBED INTO GROUT FILLED BLOCK @ JAMB  
1-1/4" MIN. EMBED INTO HOLLOW BLOCK @ JAMB
- INTO 2X WOOD BUCKS OR WOOD STRUCTURAL  
1-1/2" MIN. EMBED @ HEAD AND JAMB

TYPE B: 1/4" DIA.ULTRACON+ BY DEWALT (Fu=164 ksi Fy=148 ksi)  
OR 1/4" DIA. ITW TAPCON (Fu=120 ksi Fy=92 ksi)

- DIRECTLY INTO CONCRETE, GROUT FILLED BLOCK OR HOLLOW BLOCK.  
1-3/4" MIN. EMBED INTO CONCRETE @ HEAD/SILL  
1-3/4" MIN. EMBED INTO GROUT FILLED BLOCK @ JAMB  
1-1/4" MIN. EMBED INTO HOLLOW BLOCK @ JAMB

TYPE C: 1/4" TEK OR SELF DRILLING SCREWS(GRADE 5 FU=120ksi FY=92ksi)

- INTO METAL STRUCTURES (HEAD/JAMB)  
STEEL : 1/8" MIN. THICKNESS (Fy = 36 ksi MIN.)  
ALUMINUM : 1/8" THK. MIN. (6063-T5 MIN.)  
(STEEL IN CONTACT WITH ALUMINUM TO BE PLATED OR PAINTED)

MIN. EDGE DISTANCES

INTO CONCRETE AND MASONRY = 2 1/2"  
INTO WOOD STRUCTURE = 1"  
INTO METAL STRUCTURE = 3/4"

SUBSTRATE

CONCRETE f'c = 3000 PSI MIN.  
MASONRY C-90 f'c = 2000 PSI MIN.  
WOOD SG= 0.55

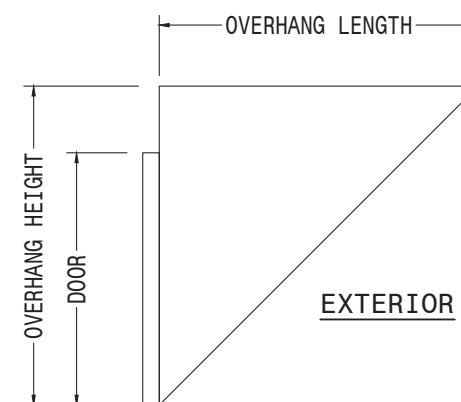
SEALANTS:

ALL FRAME AND PANEL JOINT, INSTALLATION SCREWS AND HEADS OF ANCHOR SCREWS AT SILL TO BE SEALED WITH CLEAR SEALANT.

1X OR 2X WOOD BUCKS AND METAL STRUCTURES BY OTHERS MUST SUPPORT LOADS IMPOSED BY GLAZING SYSTEMS AND TRANSFER THEM TO THE BUILDING STRUCTURE.

NOTE #1:

UNITS WHERE WATER INFILTRATION IS REQUIRED MUST BE INSTALLED AT LOCATIONS PROTECTED BY AN OVERHANG MEETING CRITERIA AS PER ILLUSTRATION BELOW OR IN NON-HABITABLE AREAS WHERE WATER INFILTRATION IS ACCEPTABLE. IT IS APPLIED TO 4" NON-WATER RATING SADDLE THRESHOLD (DETAIL 2/D2) AND 4" (DETAIL 3/D2) OR 5" (DETAIL 5/D1) BUMPER THRESHOLD. FOR WATER INFILTRATION REQUIRE HIGHER THAN 5 PSF ( $\leq 33.3$  PSF)



$$\text{OH RATIO} = \frac{\text{OVERHANG LENGTH}}{\text{OVERHANG HEIGHT}} \geq 1$$

**LOCKS:**

**LOCK OPTION 1 (ACTIVE/INACTIVE PANEL):** AHT 8000 CVR TWO POINT LOCK SYSTEM WITH STRIKE PLATES AND ACTIVATING SURFACE MOUNT METALLIC INTERIOR PANIC DEVICE AND REGENT KEY OPERATOR ON THE EXTERIOR

**LOCK OPTION 2 (ACTIVE/INACTIVE PANEL):** FALCON DOOR-O-MATIC 1690 CVR TWO POINT LOCK SYSTEM WITH STRIKE PLATES AND ACTIVATING SURFACE MOUNT METALLIC PANIC DEVICE ON THE INTERIOR

**LOCK OPTION 3 (ACTIVE/INACTIVE PANEL):** VON DUPRIN 9947 CVR TWO POINT LOCK SYSTEM WITH TOP/BOTTOM STRIKE PLATES AND ACTIVATING SURFACE MOUNT METALLIC PANIC DEVICE ON THE INTERIOR AND SCHLAGE STANDARD KEY OPERATOR ON THE EXTERIOR

**LOCK OPTION 4:**  
 INACTIVE PANEL: ADAMS RITE MS1880, MS1881 & ILCO 1880 CONCEALED TWO POINT LOCK SYSTEM WITH VERTICAL ROD AND STRIKE PLATES. THUMB TURN ON THE INTERIOR CAN NOT APPLY TO SINGLE PANEL DOOR

ACTIVE PANEL: ADAMS RITE W/AR4016 OR ILCO 4016 TOP ROD & AR4015 OR ILCO 4015 BOTTOM ROD WITH STRIKE PLATE, CONCEALED THREE POINT LOCK SYSTEM WITH ILCO185 EIGHT PLY HOOK LOCK, KEY OPERATOR ON THE EXTERIOR AND THUMB TURN ON THE INTERIOR

**LOCK OPTION 5:**  
 INACTIVE PANEL: REGENT ML-207-TT-2PT TWO POINT LOCK SYSTEM WITH EIGHT PLY HOOK LOCK. THUMB TURN ON THE INTERIOR CAN NOT APPLY TO SINGLE PANEL DOOR  
 ACTIVE PANEL: REGENT ML-207-012, CONCEALED THREE POINT LOCK SYSTEM WITH EIGHT PLY HOOK LOCK, KEY OPERATOR ON THE EXTERIOR AND THUMB TURN ON THE INTERIOR

**HINGES:** REFER TO DETAILS (H1) (H2) & (H3)

**HINGE OPTION 1:** (32) H1: (3) 4 1/2" BUTT HINGES (26298)  
 9 1/4" FROM TOP & BOTTOM, CENTERED

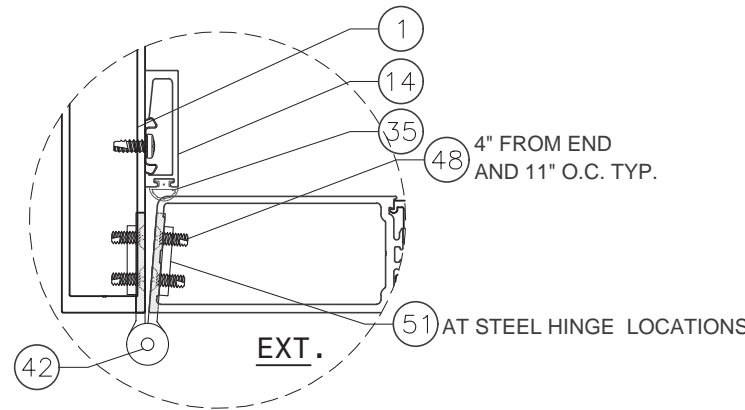
**HINGE OPTION 2:** (31) H2: OFFSET CAST ALUMINUM PIVOT HINGES  
 TOP (H160X)  
 BOTTOM (H160X)  
 MIDSPAN (2456x)

**HINGE OPTION 3:** (33) H3: CONTINUOUS ALUMINUM GEAR (60095)

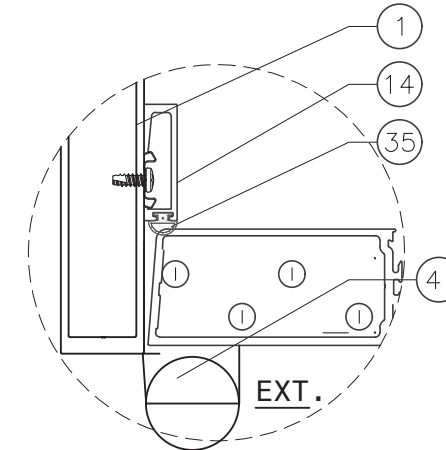
**CHART#4:**

DOOR		CONFIG.	LOCK OPTIONS
WIDTH (MAX)	HEIGHT (MAX)		
≤ 96"	≤ 96"	XX	1,2,3,4,5
≤ 96"	≤ 120"	XX	1,4,5
≤ 48"	≤ 96"	X	1,2,3,4,5 (ACTIVE PANEL)
≤ 48"	≤ 120"	X	1,4,5 (ACTIVE PANEL)

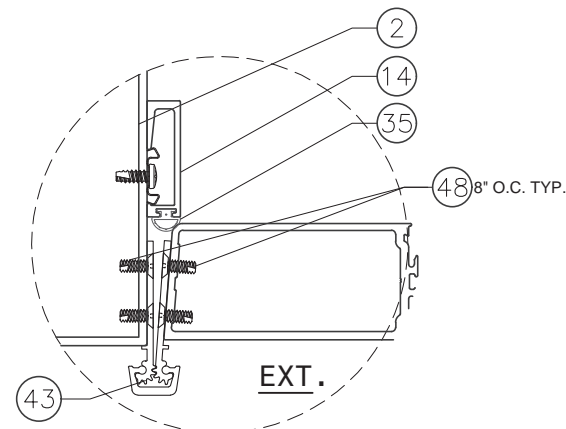
**NOTE:** HINGES SHOWN ARE IMAGE ONLY.



**(H1) HINGE OPTION 1: (26298)**  
 4-1/2" STEEL BUTT HINGE  
 (SEE ELEVATION FOR LOCATION)



**(H2) HINGE OPTION 2:**  
 OFFSET PIVOT HINGE  
 (SEE ELEVATION FOR LOCATION)  
 TOP (H160X)  
 BOTTOM (H160X)  
 MIDSPAN (2456x)



**(H3) HINGE OPTION 3: (6009X)**  
 CONCEALED ALUM. CONTINUOUS  
 GEARED HINGE  
 (SEE ELEVATION FOR LOCATION)



http://www.trulite.com

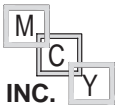
403 WESTPARK CT. SUITE 201  
 PEACHTREE CITY, GA 30269  
 p. 800-432-8132 | f. 954-724-2083

PRODUCT:

**351 SERIES  
 ALUM OUTSWING  
 DOORS  
 W/ OR W/O TRANSOM  
 (LARGE MISSILE IMPACT)**

REVN	DATE/REMARKS
REV 02	12.20.23/ FBC 2023

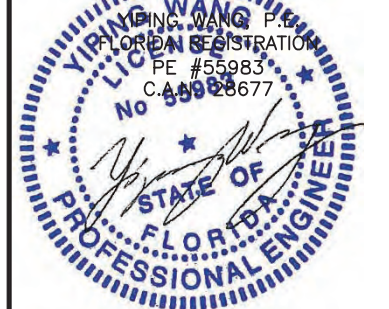
ENGINEER:



**MCY ENGINEERING, INC.**  
 GLAZING CONSULTANT

12871 Miramar Pkwy Ste. 301  
 Miramar, FL 33027  
 P: 305-271-0117  
 Email: MCY.Engineering@att.net  
 www.MCYEngineering.com

STAMP:



**PRODUCT REVISED**  
 as complying with the Florida  
 Building Code  
 NOA-No. 23-1222.08

Expiration Date 06/04/2030

By *[Signature]*  
**Miami-Dade Product Control**

SHEET TITLE

**H1**

DRAWN: FRANK	DRAWING No:
DATE: 12.20.2023	14 OF 17
DWG: AD15-23	

PRODUCT:

## 351 SERIES ALUM OUTSWING DOORS W/ OR W/O TRANSOM (LARGE MISSILE IMPACT)

REVN	DATE/REMARKS
REV 02	12.20.23/ FBC 2023

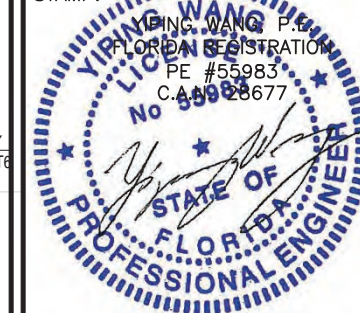
ENGINEER:



**MCY ENGINEERING, INC.**  
GLAZING CONSULTANT

12871 Miramar Pkwy Ste. 301  
Miramar, FL 33027  
P: 305-271-0117  
Email: MCY.Engineering@att.net  
www.MCYEngineering.com

STAMP:



December 20th, 2023

**PRODUCT REVISED**  
as complying with the Florida  
Building Code  
NOA-No. 23-1222.08

Expiration Date 06/04/2030

By *[Signature]*  
**Miami-Dade Product Control**

SHEET TITLE

**P01**

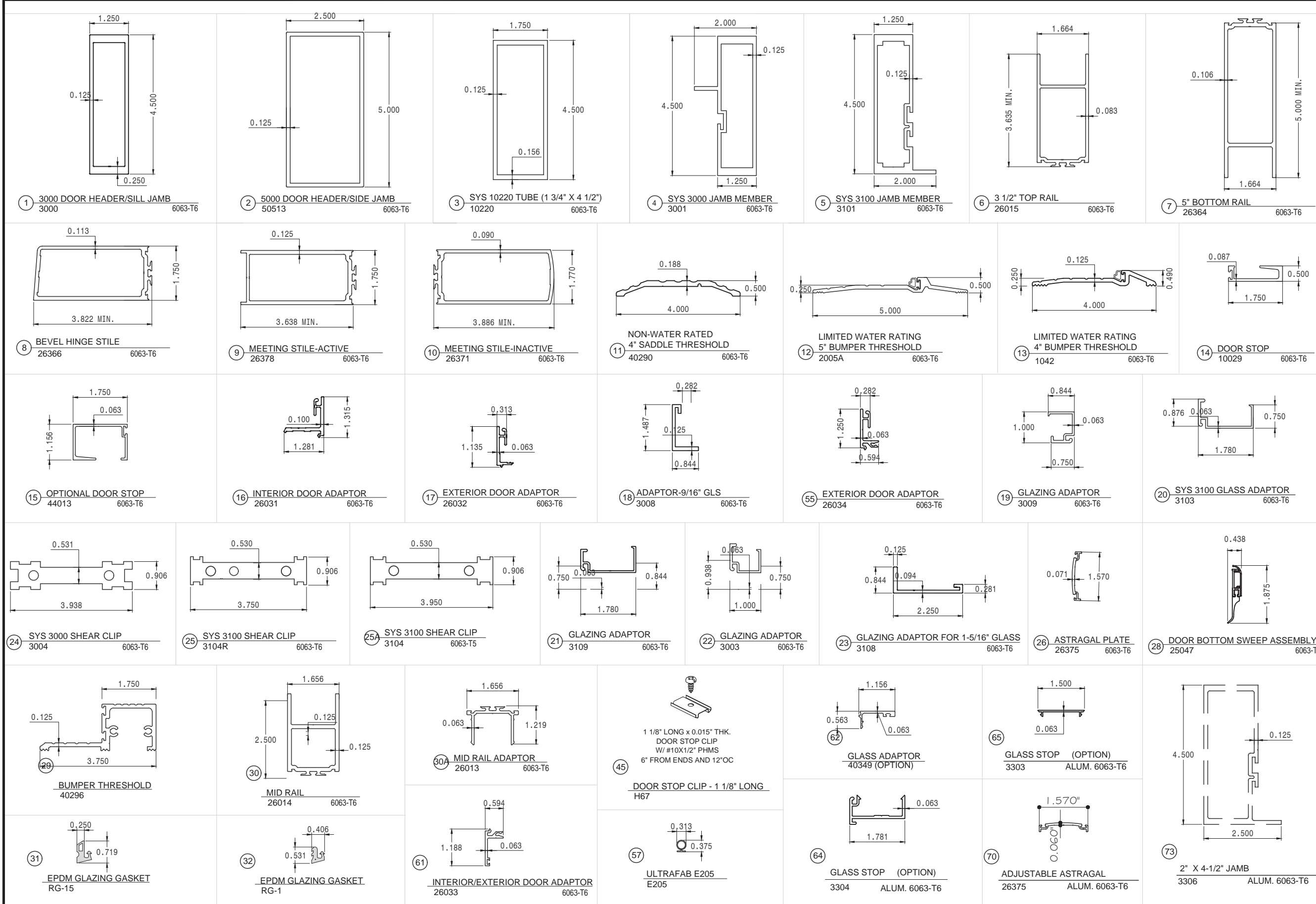
DRAWN: FRANK

DATE: 12.20.2023

DWG: AD15-23

DRAWING No:

15 OF 17



**BILL OF MATERIALS**

ITEM #	PART #	DESCRIPTION	MATERIAL	SUPPLIER/MANUF.
1	3000	3000 DOOR HEADER/SILL JAMB	ALUM. 6063-T6	BONNELL
2	50513	5000 DOOR HEADER/SIDE JAMB	ALUM. 6063-T6	BONNELL
3	10220	SYS 10220 1-3/4" X 4 1/2" TUBE	ALUM. 6063-T6	BONNELL
4	3001	3000 TRANSOM BAR/TRANSOM HEADER/JAMB	ALUM. 6063-T6	BONNELL
5	3101	3100 TRANSOM BAR/TRANSOM HEADER/JAMB	ALUM. 6063-T6	BONNELL
6	26015	3 1/2" TOP RAIL	ALUM. 6063-T6	BONNELL
7	26364	5" BOTTOM RAIL	ALUM. 6063-T6	BONNELL
8	26366	BEVEL HINGE STILE	ALUM. 6063-T6	BONNELL
9	26378	MEETING STILE-ACTIVE	ALUM. 6063-T6	BONNELL
10	26371	MEETING STILE-INACTIVE	ALUM. 6063-T6	BONNELL
11	40290	4"SADDLE THRESHOLD	ALUM. 6063-T6	BONNELL
12	2005A	5"BUMPER THRESHOLD	ALUM. 6063-T6	PEMCO
13	1042	4"BUMPER THRESHOLD	ALUM. 6063-T6	BONNELL
14	10029	DOOR STOP	ALUM. 6063-T6	BONNELL
15	44013	OPTIONAL DOOR STOP	ALUM. 6063-T6	BONNELL
16	26031	INTERIOR DOOR ADAPTOR	ALUM. 6063-T6	BONNELL
17	26032	EXTERIOR DOOR ADAPTOR	ALUM. 6063-T6	BONNELL
18	3008	GLAZING ADAPTOR-9/16"	ALUM. 6063-T6	BONNELL
19	3009	GLAZING ADAPTOR	ALUM. 6063-T6	BONNELL
20	3103	SYS 3100 GLAZING ADAPTOR	ALUM. 6063-T6	BONNELL
21	3109	TRANSOM GLAZING ADAPTOR	ALUM. 6063-T6	BONNELL
22	3003	GLAZING ADAPTOR	ALUM. 6063-T6	BONNELL
23	3108	TRANSOM GLAZING ADAPTOR FOR 1-5/16" GLASS	ALUM. 6063-T6	BONNELL
24	3004	SYS 3000 SHEAR CLIP	ALUM. 6063-T6	BONNELL
25	3104R	SYS 3100 SHEAR CLIP	ALUM. 6063-T6	BONNELL
25A	3104	SYS 3100 SHEAR CLIP	ALUM. 6063-T6	BONNELL
26	26375	ASTRAGAL PLATE	ALUM. 6063-T6	ALL METAL INC.
27	1122	INSULATED ALUMINUM SPACER	ALUMINUM	HAGER
28	25047	DOOR BOTTOM SWEEP ASSEMBLY	ALUM / RUBBER	BONNELL
29	40296	1 1/2" x 3 3/4" BUMPER THRESHOLD	ALUM. 6063-T6	BONNELL
30	26014	MID RAIL	ALUM. 6063-T6	BONNELL
30A	26013	MID RAIL ADAPTOR	ALUM. 6063-T6	TREMCO/GRP
31	RG15	EPDM GLAZING GASKET	EPDM (DUROMETER 70 SHORE A)	TREMCO/GRP
32	RG1	EPDM GLAZING GASKET	EPDM (DUROMETER 70 SHORE A)	RUBBER GROMMET
33	23301	RUBBER GROMMET AT ASTRAGAL	NITRILE	TREMCO/GRP
34	H62D	1/2"x 1/4" SETTING BLOCK	EPDM (DUROMETER 85 +/-5 SHORE A)	TREMCO/GRP
34A	H62F	1 3/8"x 1/4" SETTING BLOCK	EPDM (DUROMETER 85 +/-5 SHORE A)	TREMCO/GRP
35	RG5	DOOR STOP GASKET	EPDM (DUROMETER 65 SHORE A)	DOW CORNING
36	DOWSIL995	DC995 SILICONE	SILICONE	
37	V2108	1/4"x3/8" GLAZING TAPE	FOAM	ST. GOBAIN
41	H160X SET	(TOP)	ALUM. 6063-T6	GLOBAL DOOR
		(BOTTOM)	ALUM. 6063-T6	GLOBAL DOOR
	2456X MIDSPAN	OFFSET PIVOT HINGE	ALUM. 6063-T6	GLOBAL DOOR
42	26298	4-1/2" STEEL BUTT HINGE 1/8" THK.	STEEL	HAGER COMPANIES/IMPERIAL USA (GLOBAL DOOR)
43	6009X	ALUM CONTINUOUS GEARED HINGE 0.094" THK.	ALUM. 6063-T6	HAGER COMPANIES
44	24110	BRUSH PILE AT DOOR MEETING STILE	YARN	AMESBURY GROUP
45	23501	DOOR STOP CLIP-1 1/8" LG, 6" ON ENDS,12" O.C.	STEEL	EVANS MANUFACTURING
46	SPACER2	PVC SETTING BLOCK FOR 9/16" GLASS	PVC PLASTIC	M & M PLASTIC
47	2620301	BACKING PLATE	ALUM. 6063-T6	BONNELL
48	23163	#12-24" x 3/4" PFH-23	ZINC COATED STEEL	ALLOY FASTENER
49	23897	#10-24" x 1/4" PFH	ZINC COATED STEEL	VARIES
50	23302	#6 x 3/4" UC-PFH TEK	ZINC COATED STEEL	VARIES
51	26139	HINGE BACKING PLATE	STEEL	EVANS
52	23233	1/4-20 X 1-1/2" PFH	ZINC COATED STEEL	ALLOY FASTENER
53	23089	#10-24" x 5/10" PFH	ZINC COATED STEEL	ALLOY FASTENER
54	23079	#10-24" x 3/14" PFH	STEEL	ALLOY FASTENER
55	26034	DOOR ADAPTOR USED FOR DOOR LEAF WIDTH UPTO 36"	ALUM. 6063-T6	BONNELL
56	SPACER3	DOOR SETTING BLOCK	PVC PLASTIC EXTRUSION	M&M PLASTICS

**BILL OF MATERIALS**

ITEM #	PART #	DESCRIPTION	MATERIAL	SUPPLIER/MANUF.
57	ULTRAFAB E205	BUMPER THRESHOLD GASKET	THERMOPLASTIC ELASTOMERS(TPE)	ULTRAFAB
58	DOWSIL 795	DOWSIL 795 SILICONE	SILICONE	DOW CORNING
59	05207	EPDM GASKET	EPDM (DUROMETER 65 SHORE A)	BONNELL
60	RG-17	EPDM GASKET (OPTIONAL)	EPDM (DUROMETER 65 SHORE A)	TREMCO
61	26033	INTERIOR/EXTERIOR DOOR ADAPTOR	ALUM. 6063-T6	BONNELL
62	40349	GLAZING ADAPTOR (OPTION)	ALUM. 6063-T6	BONNELL
63	H62B	1/8"x 1"x 2" SETTING BLOCK	EPDM (DUROMETER 85 +/-5 SHORE A)	TREMCO
64	3304	TRANSOM GLASS STOP	ALUM. 6063-T6	BONNELL
65	3303	TRANSOM GLASS STOP OPTION	ALUM. 6063-T6	BONNELL
66	23097	SCREW AT SPRING CLIP, #10-24 X 1/2" PPH @ 12" O.C.	ZINC COATED STEEL	VARIES
67	H1880	2 POINT LOCK SYSTEM HARDWARE	STEEL	ADAMS RITE, AT INACTIVE PANEL @ 36 9/16" FROM BOTTOM
68	FZ4588	3 POINT LOCK SYSTEM HARDWARE	STEEL	ADAMS RITE, AT ACTIVE PANEL @ 36 9/16" FROM BOTTOM
69	351X-LG	LOCK GUIDE	ALUM. 6063-T6	BONNELL
70	26375	ADJUSTABLE ASTRAGAL	ALUM. 6063-T6	BONNELL
71	23301	RUBBER GROMMET AT ASTRAGAL	NITRILE	RUBBERGROMMET.COM
72	ST351-1	1-1/2" X 2" X 14 GA. STEEL TUBE REINF.	STEEL	VARIES, INSIDE EACH PANEL LOCK STILE LOCATED @ 42"FROM BOTTOM
73	3306	DOOR JAMB MULLION	ALUM. 6063-T6	BONNELL



http://www.trulite.com

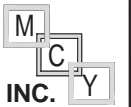
403 WESTPARK CT. SUITE 201  
PEACHTREE CITY, GA 30269  
p. 800-432-8132 | f. 954-724-2083

PRODUCT:

**351 SERIES  
ALUM OUTSWING  
DOORS  
W/ OR W/O TRANSOM  
(LARGE MISSILE IMPACT)**

REV#	DATE/REMARKS
REV 02	12.20.23/ FBC 2023

ENGINEER:



**MCY ENGINEERING, INC.**  
GLAZING CONSULTANT

12871 Miramar Pkwy Ste. 301  
Miramar, FL 33027  
P: 305-271-0117  
Email: MCY.Engineering@att.net  
www.MCYEngineering.com

STAMP:



December 20th, 2023

**PRODUCT REVISED**  
as complying with the Florida  
Building Code  
NOA-No. 23-1222.08

Expiration Date 06/04/2030

By   
**Miami-Dade Product Control**

SHEET TITLE

**BOM**

DRAWN: FRANK

DRAWING No:

DATE: 12.20.2023

**16 OF 17**

DWG: AD15-23

PRODUCT:

**351 SERIES  
ALUM OUTSWING  
DOORS  
W/ OR W/O TRANSOM  
(LARGE MISSILE IMPACT)**

REVN	DATE/REMARKS
REV 02	12.20.23/ FBC 2023

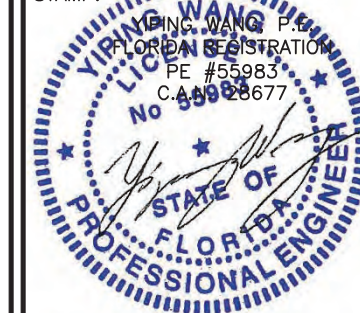
ENGINEER:



**MCY ENGINEERING, INC.**  
GLAZING CONSULTANT

12871 Miramar Pkwy Ste. 301  
Miramar, FL 33027  
P: 305-271-0117  
Email: MCY.Engineering@att.net  
www.MCYEngineering.com

STAMP:



December 20th, 2023

**PRODUCT REVISED**  
as complying with the Florida  
Building Code  
NOA-No. 23-1222.08

Expiration Date 06/04/2030

By   
**Miami-Dade Product Control**

SHEET TITLE

**ISO**

DRAWN: FRANK

DRAWING No:

DATE: 12.20.2023

17 OF 17

DWG: AD15-23

(2) 8-3/4(19) SELF TAP  
SCREWS (TOP AND BOTTOM)

(2) #10-24 BY 3/8"  
MOUNTING SCREW

STRIKES (FALCON DOOR-O-MATIC)  
LOCK OPTION 2

STRIKES (AHT 8000)  
LOCK OPTION 1

11/16" THROW

ADAMS RITE TOP/BOTTOM STRIKE  
LOCK OPTION 4

STRIKES (VONDUPRIN 9947)  
LOCK OPTION 3

(2) 12-24 BY 3/4" FLAT  
HEAD MACHINE SCREWS.

(2) 1/4-20 BY 1 1/2" PAN  
HEAD MACHINE SCREWS.

(2) 12-24 BY 3/4" FLAT  
HEAD MACHINE SCREWS.

(2) 1/4-20 BY 1 1/2" PAN  
HEAD MACHINE SCREWS.

(2) 10-24 BY 1/2" FLAT  
HEAD MACHINE SCREWS.

(2) #10-24 BY 1/2"  
FH. MS.

FRAME CORNER CONNECTION

3/8" - 16 STEEL  
THREADED TRUSS-ROD  
WITH 3/8" DIA. NUT

3/8" - 16 STEEL  
THREADED TRUSS-ROD  
WITH 3/8" DIA. NUT

DOOR PANEL CORNER CONNECTION

Screw Pkg 900285



338 Strike (Top) Standard  
Panic or Fire Exit Hardware