



DEPARTMENT OF REGULATORY AND ECONOMIC RESOURCES
BOARD AND CODE ADMINISTRATION DIVISION

MIAMI-DADE COUNTY
PRODUCT CONTROL SECTION
11805 SW 26 Street, Room 208
Miami, Florida 33175-2474
T (786) 315-2590 F (786) 315-2599

NOTICE OF ACCEPTANCE (NOA)

www.miamidade.gov/economy

Unirac, Inc.
1411 Broadway Blvd. NE
Albuquerque, New Mexico 87102

SCOPE:

This NOA is being issued under the applicable rules and regulations governing the use of construction materials. The documentation submitted has been reviewed and accepted by Miami-Dade County RER- Product Control Section to be used in Miami Dade County and other areas where allowed by the Authority Having Jurisdiction (AHJ).

This NOA shall not be valid after the expiration date stated below. The Miami-Dade County Product Control Section (In Miami Dade County) and/or the AHJ (in areas other than Miami Dade County) reserve the right to have this product or material tested for quality assurance purposes. If this product or material fails to perform in the accepted manner, the manufacturer will incur the expense of such testing and the AHJ may immediately revoke, modify, or suspend the use of such product or material within their jurisdiction. RER reserves the right to revoke this acceptance if it is determined by Miami-Dade County Product Control Section that this product or material fails to meet the requirements of the applicable building code.

This product is approved as described herein and has been designed to comply with the High Velocity Hurricane Zone of the Florida Building Code.

DESCRIPTION: SM Butyl Aluminum Solar Mount

APPROVAL DOCUMENT: Drawing No. **M-D NOA SM**, titled “SM Butyl Attachment”, sheets 1 through 6 of 6, dated 11/04/2024, prepared by Unirac, Inc., signed and sealed by Saddam Ahmad, P.E., bearing the Miami-Dade County Product Control approval stamp with the Notice of Acceptance number and the expiration date by the Miami-Dade County Product Control Section.

MISSILE IMPACT RATING: NONE

LABELING: Each unit shall bear a permanent label with the manufacturer's name or logo, city and state and the following statement: "Miami-Dade County Product Control Approved", unless otherwise noted herein.

RENEWAL of this NOA shall be considered after a renewal application has been filed and there has been no change in the applicable building code negatively affecting the performance of this product.

TERMINATION of this NOA will occur after the expiration date or if there has been a revision or change in the materials, use, and/or manufacture of the product or process. Misuse of this NOA as an endorsement of any product, for sales, advertising or any other purposes shall automatically terminate this NOA. Failure to comply with any section of this NOA shall be cause for termination and removal of NOA.

ADVERTISEMENT: The NOA number preceded by the words Miami-Dade County, Florida, and followed by the expiration date may be displayed in advertising literature. If any portion of the NOA is displayed, then it shall be done in its entirety.

INSPECTION: A copy of this entire NOA shall be provided to the user by the manufacturer or its distributors and shall be available for inspection at the job site at the request of the Building Official.

This NOA consists of this page 1, evidence submitted page E-1 as well as approval document mentioned above. The submitted documentation was reviewed by **Carlos M. Utrera, P.E.**

11/19/24



NOA No. 24-0621.03
Expiration Date: November 27, 2029
Approval Date: November 27, 2024

NOTICE OF ACCEPTANCE: EVIDENCE SUBMITTED

A. DRAWINGS

1. Drawing No. **M-D NOA SM**, titled “SM Butyl Attachment”, sheets 1 through 6 of 6, dated 11/04/2024, prepared by Unirac, Inc., signed and sealed by Saddam Ahmad, P.E.

B. TESTS

1. Test report on Wind and wind Driven Rain Resistance Test per FBC, TAS 100(A)-95, prepared by Intertek, Report No. **P8558.01-109-18**, dated 03/15/2023, signed and sealed by Tanya A. Dolby, P.E.

C. CALCULATIONS

1. Drawing No. **M-D NOA SM** withdrawal and lateral calculations per NDS-2018, dated 11/04/2024, signed and sealed by Saddam Ahmad, P.E.

D. QUALITY ASSURANCE

1. By Miami-Dade County Department of Regulatory and Economic Resources (RER).

E. MATERIAL CERTIFICATIONS

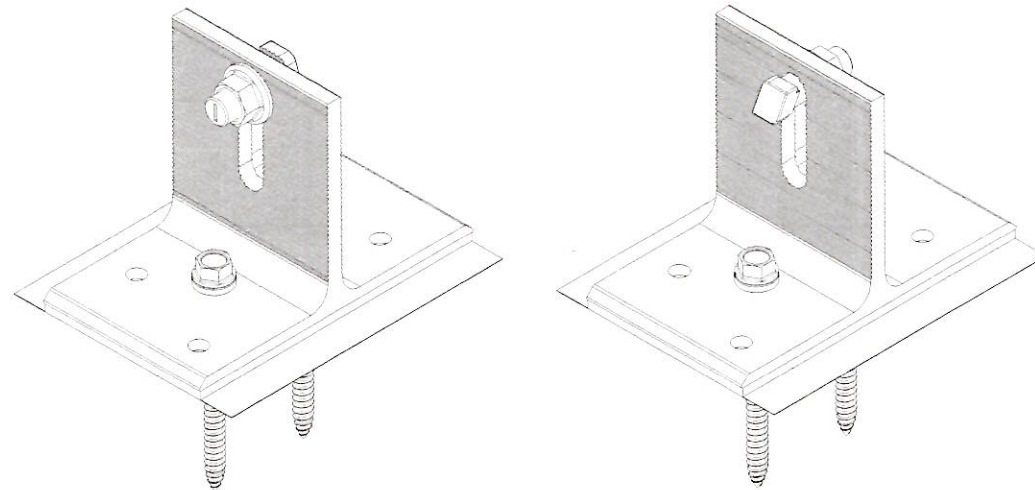
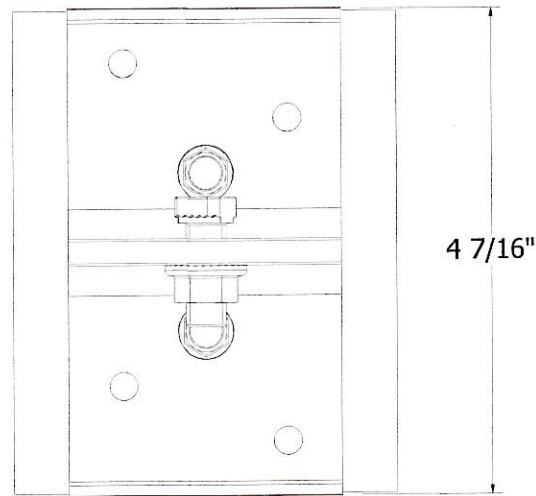
1. None.

F. STATEMENTS

1. Statement letter of code conformance with the 8th edition (2023) of the FBC, issued by Engineering Alliance, Inc., dated 10/04/2024, signed and sealed by Saddam Ahmad, P.E.

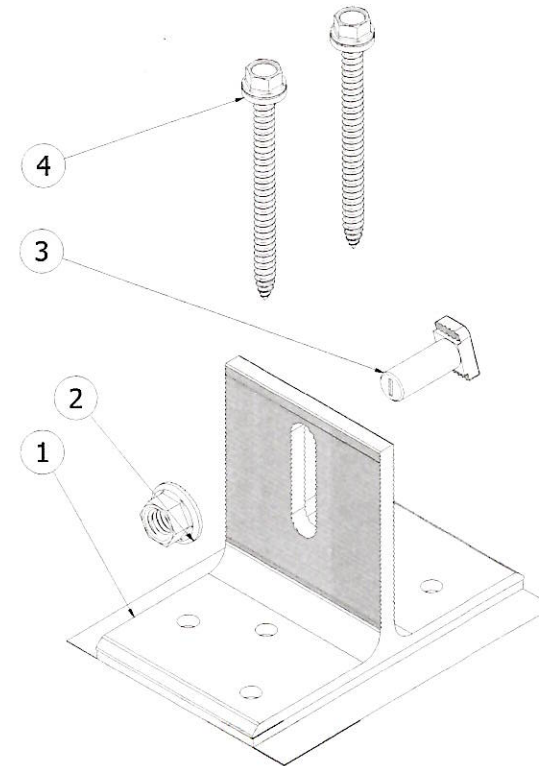
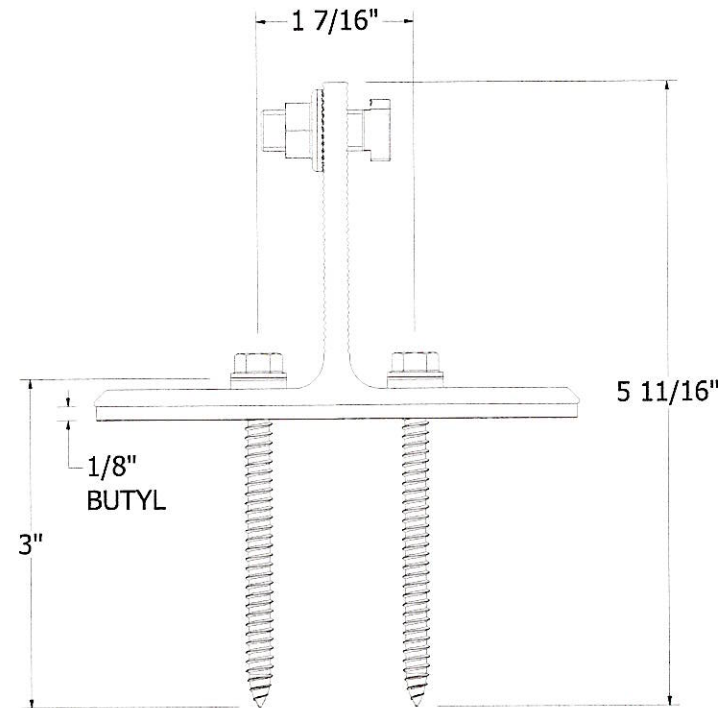
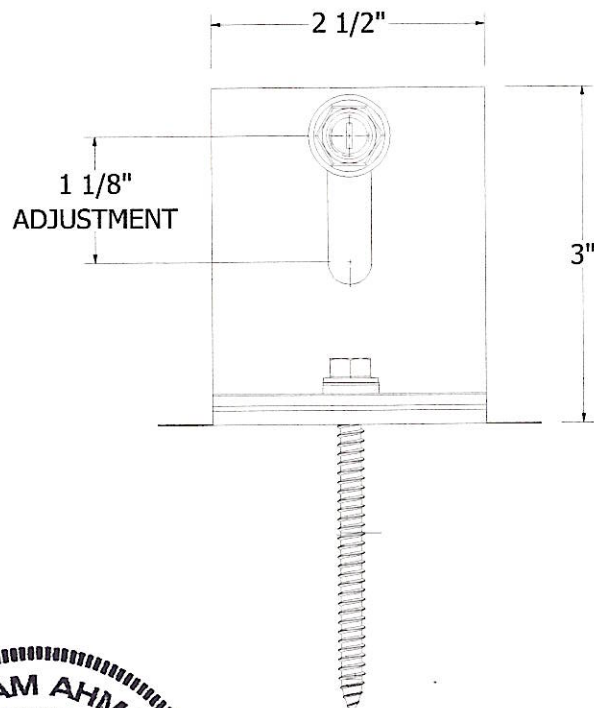


Carlos M. Utrera, P.E.
Product Control Examiner
NOA No. 24-0621.03
Expiration Date: November 27, 2029
Approval Date: November 27, 2024



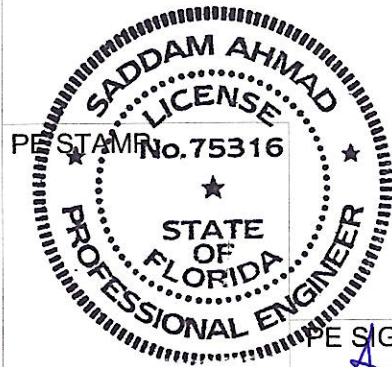
SM BUTYL ATTACHMENT ASSEMBLY

PRODUCT APPROVED
 as complying with the Florida
 Building Code
 NOA-No. 24-0621.03
 Approval Date 11/27/2024
 By *[Signature]*
 Miami-Dade Product Control



SM BUTYL ATTACHMENT ASSEMBLY

ASSEMBLY NUMBER - NAME	ITEM #	DESCRIPTION	MATERIAL	MINIMUM YIELD (KSI)	MINIMUM ULTIMATE (KSI)
004BUTYLM 004BUTYLD	1	SM DTD ATTACHMENT ASSEMBLY	EXTRUDED ALUMINUM	35	38
	2	NUT, SERR FLG 3/8-16, 1/2" HEX	300 SERIES STAINLESS STEEL	N/A	85
	3	T-BOLT, ENHCD 3/8-16X1.0"	300 SERIES STAINLESS STEEL	N/A	70
	4	HWHD EPDM ASSEMBLY, 3.0"	300 SERIES STAINLESS STEEL	N/A	70



PE SIGNATURE: *[Signature]*

PE DATE: 11/14/24



CHK	KS	KS

REV	DATE	DESCRIPTION
A	09/23/24	INITIAL RELEASE
B	11/04/24	REVISED PER MARKUP

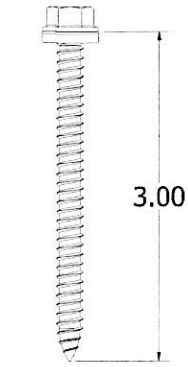
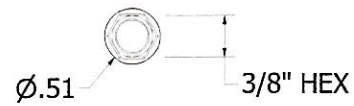
FOR MIAMI-DADE COUNTY

PROJECT MIAMI-DADE CO. NOA

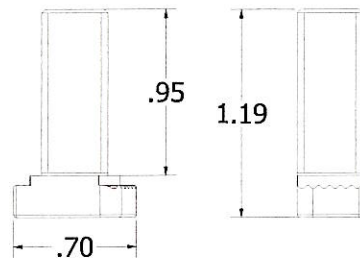
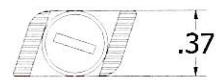
PROJECT ADDRESS

TITLE SM BUTYL ATTACHMENT

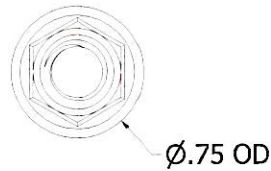
DWG NO. M-D NOA SM SHEET 1 OF 6



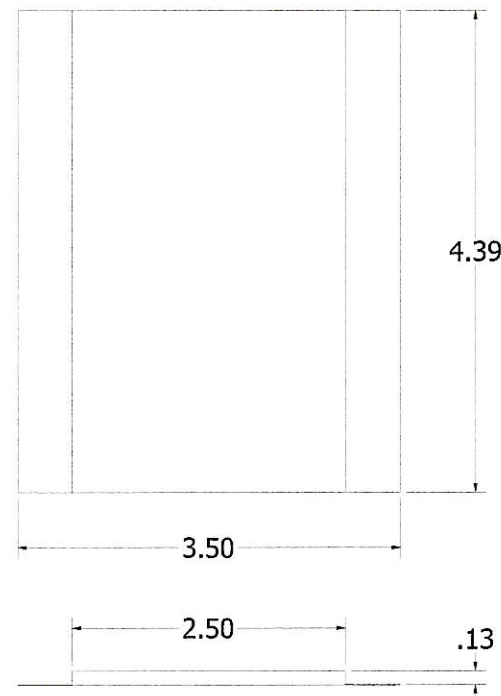
ITEM 5
HEX HD EPDM ASSEMBLY, 3.0"



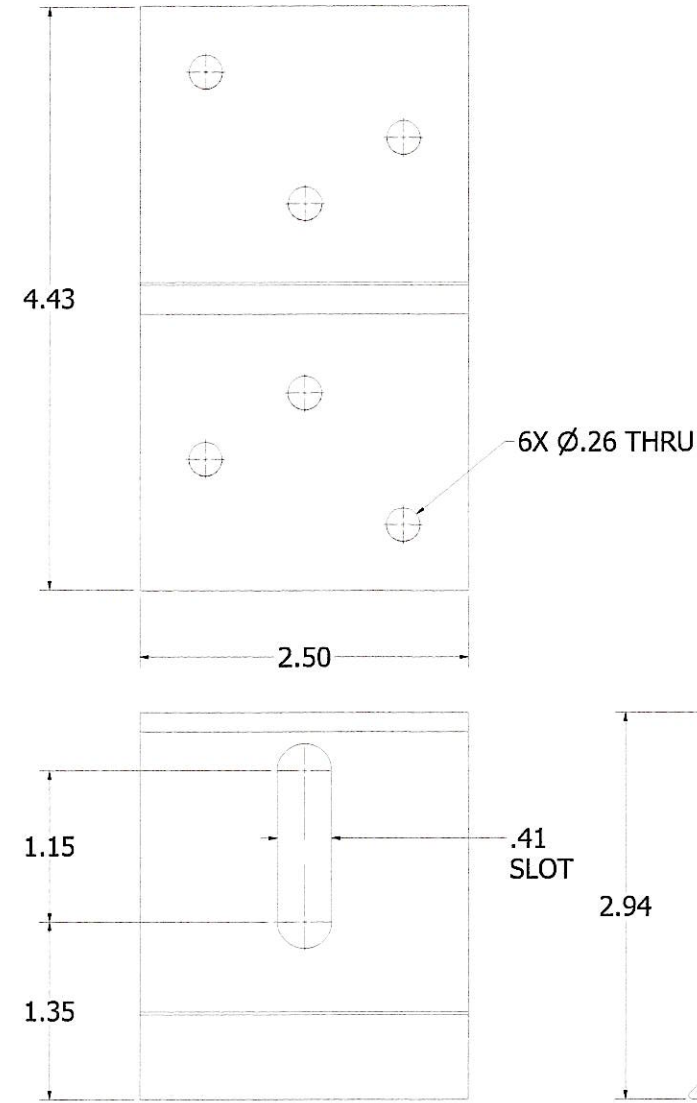
ITEM 4
T-BOLT



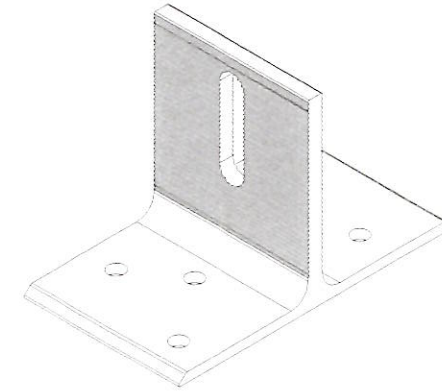
ITEM 3
SERRATED FLANGE NUT



ITEM 2
BUTYL MASTIC TAPE



ITEM 1
SM BUTYL ATTACHMENT



PRODUCT APPROVED
as complying with the Florida
Building Code
NOA-No. 24-0621.03
Approval Date 11/27/2024
By *[Signature]*
Miami-Dade Product Control

UNIRAC
1411 BROADWAY BOULEVARD NE
ALBUQUERQUE, NM, USA, 87102
WWW.UNIRAC.COM

REV	DATE	DESCRIPTION	CHK
A	09/23/24	INITIAL RELEASE	KS
B	11/04/24	REVISED PER MARKUP	KS

FOR
MIAMI-DADE
COUNTY

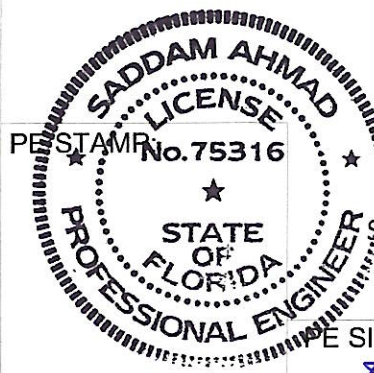
PROJECT
MIAMI-DADE CO.
NOA

PROJECT ADDRESS

TITLE
SM BUTYL
ATTACHMENT

DWG NO.
M-D NOA SM
SHEET 2 OF 6

ASSEMBLY NUMBER - NAME	ITEM #	DESCRIPTION	MATERIAL	MINIMUM YIELD (KSI)	MINIMUM ULTIMATE (KSI)
004BUTYLM 004BUTYLD	1	SM DTD ATTACHMENT	EXTRUDED ALUMINUM	35	38
	2	BUTYL MASTIC TAPE	BUTYL MASTIC	N/A	N/A
	3	NUT, SERR FLG 3/8-16, 1/2" HEX	300 SERIES STAINLESS STEEL	N/A	85
	4	T-BOLT, ENHCD 3/8-16X1.0"	300 SERIES STAINLESS STEEL	N/A	70
	5	HWHD EPDM ASSEMBLY, 3.0"	300 SERIES STAINLESS STEEL	N/A	70



PE SIGNATURE: *[Signature]* PE DATE: 11/14/24

LAG SCREW WITHDRAWAL AND LATERAL LOADS FROM NDS

- LOAD DURATION FACTOR (CD) = 1.6
- WET SERVICE FACTOR (CM) = 1
- TEMPERATURE FACTORS (CT) = 1.0
- GROUP ACTION FACTOR (CG) = .97
- GEOMETRY FACTOR (CA) = 1
- END GRAIN FACTOR (Ceg) = 1
- DIAPHRAGM FACTOR (Cdi) = 1
- TOE-NAIL FACTOR (Ctn) = 1
- NUMBER OF FASTENER = 2

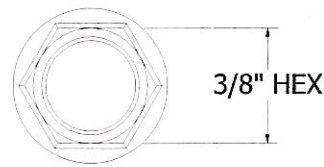
WITHDRAWAL LOADS

- WITHDRAWAL DESIGN VALUE (W) = 208 LBS. PER INCH (FROM NDS TABLE 12.2B)
- WITHDRAWAL LOADS $W' = 208 \times 1 \times 1.6 \times 1 \times 0.97 \times 1 \times 1.5 \times 2 = 968.44$ LBS.

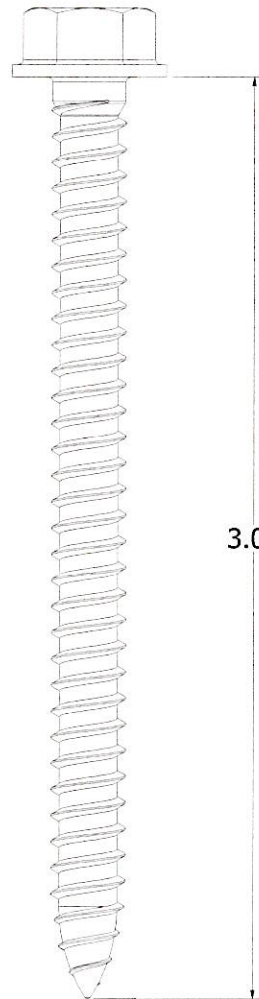
LATERAL LOADS

- LATERAL DESIGN VALUE (Z) = 241 LBS. (FROM NDS TABLE 12M)
- LATERAL LOADS $Z' = 241 \times 1.6 \times 1 \times 0.97 \times 1 \times 1 \times 2 \times 1.5 / 2.5 = 448.88$ LBS.

*ASSUMED G=0.55 SOUTHERN PINE

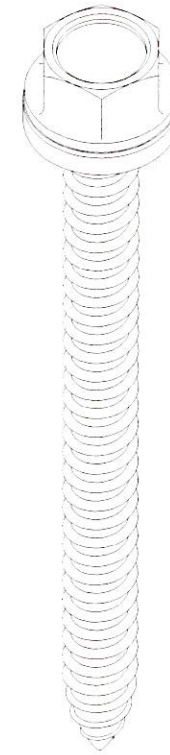


3/8" HEX

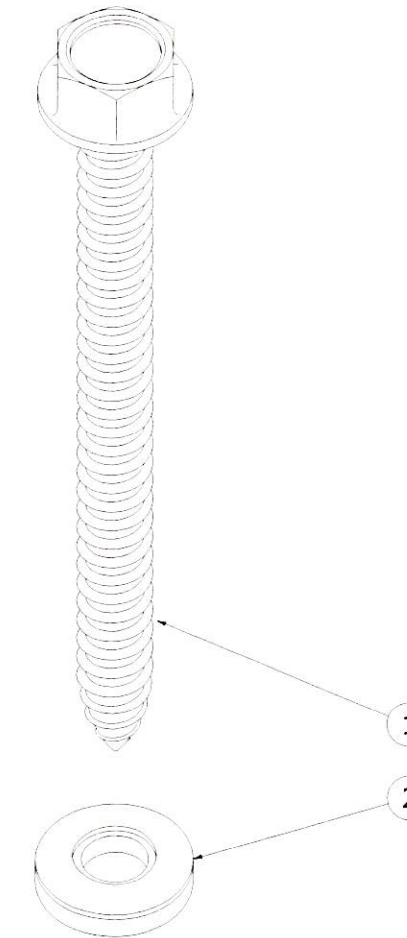


3.00

ITEM 1
#14-14 SCREW



ITEM 5 FROM SHEET 2
HEX HD EPDM ASSEMBLY, 3.0"



PRODUCT APPROVED
as complying with the Florida
Building Code
NOA-No. 24-0621.03
Approval Date 11/27/2024
By *[Signature]*
Miami-Dade Product Control

UNIRAC
1411 BROADWAY BOULEVARD NE
ALBUQUERQUE, NM, USA, 87102
WWW.UNIRAC.COM

REV DATE	DESCRIPTION	CHK
A	09/23/24 INITIAL RELEASE	KS
B	11/04/24 REVISED PER MARKUP	KS

FOR
MIAMI-DADE COUNTY

PROJECT
MIAMI-DADE CO. NOA

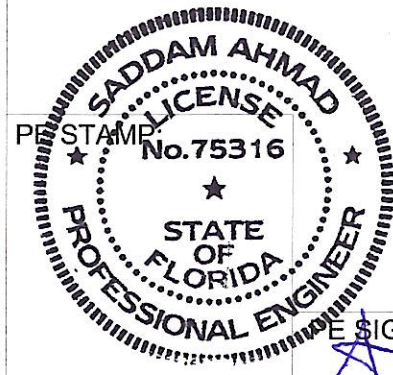
PROJECT ADDRESS
SM BUTYL ATTACHMENT

TITLE
SM BUTYL ATTACHMENT

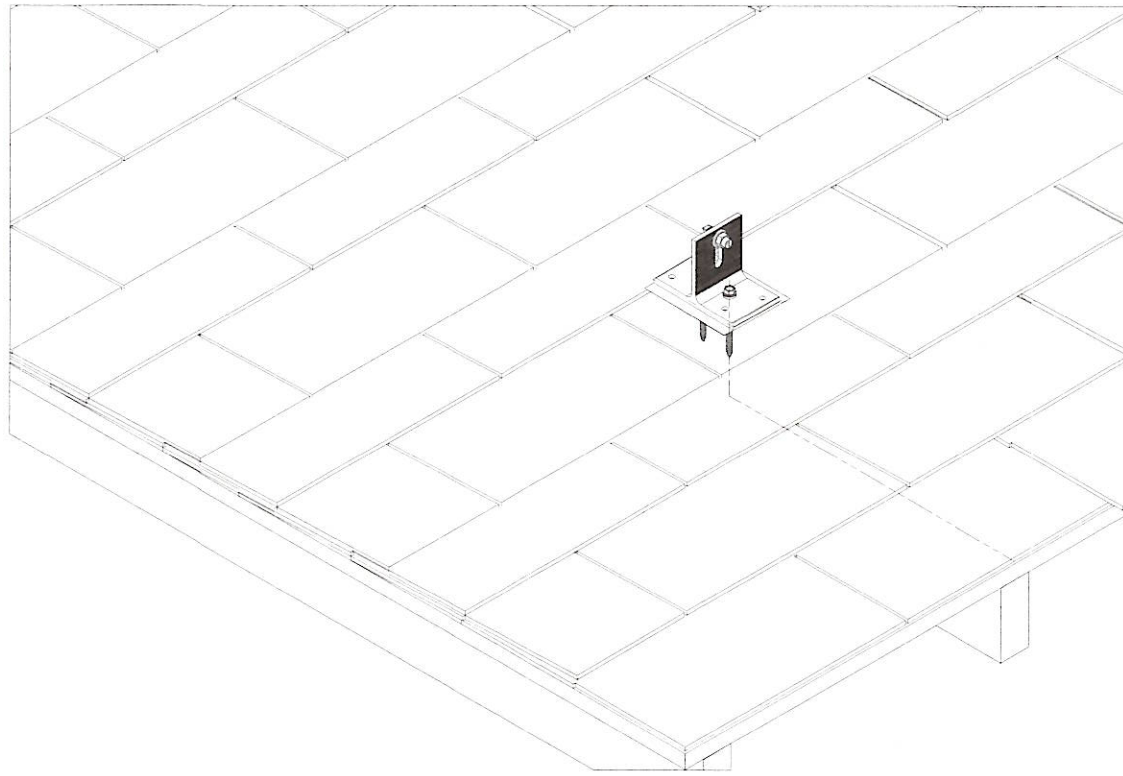
DWG NO.
M-D NOA SM

SHEET 3 OF 6

PARTS LIST			
ITEM	QTY	PART NUMBER	DESCRIPTION
1	1	P28503028-02	#14-14 TYPE AB, HWH, SS
2	1	P28503027	#14 SS EPDM WASHER



SIGNATURE: *[Signature]* PE DATE: 11/14/24



SM BUTYL INSTALLATION
NOT TO SCALE

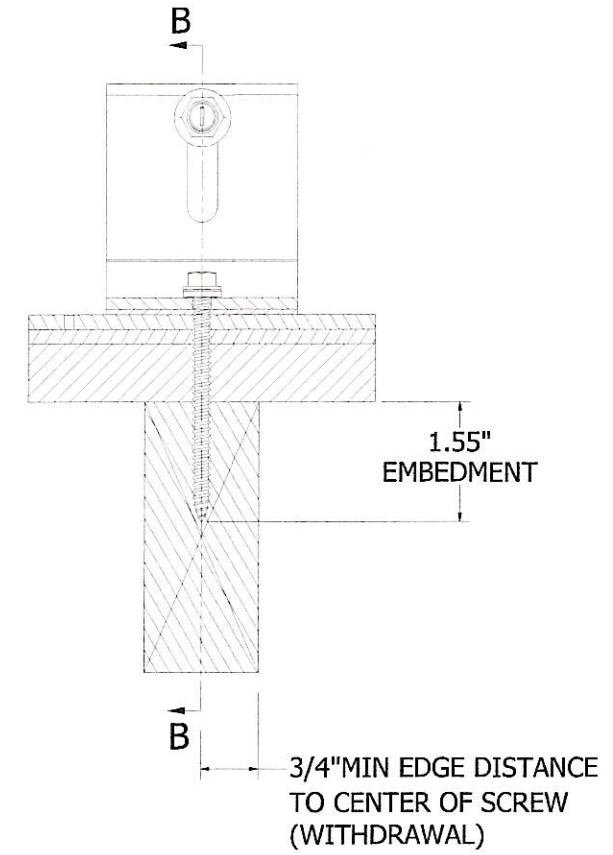
STRUCTURAL MEMBER SPECIFICATION:

MINIMUM WOOD GRADE = SP #2
MINIMUM SPECIFIC GRAVITY = 0.55

ALLOWABLE FASTENER UPLIFT = 968 lbs
ALLOWABLE FASTENER LATERAL = 448 lbs

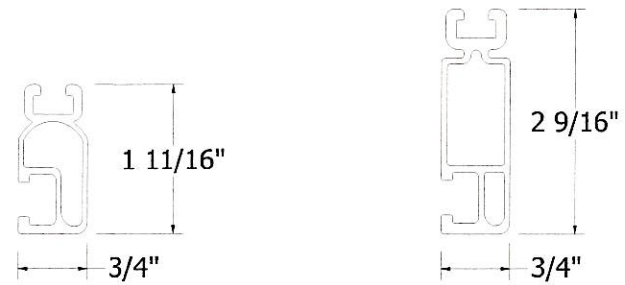
MINIMUM FASTENER EDGE DISTANCE
= 0.75" IN RAFTER <2.5" WIDE
= 1.25" IN RAFTER >2.5" WIDE

MINIMUM FASTENER END DISTANCE = 2.2"



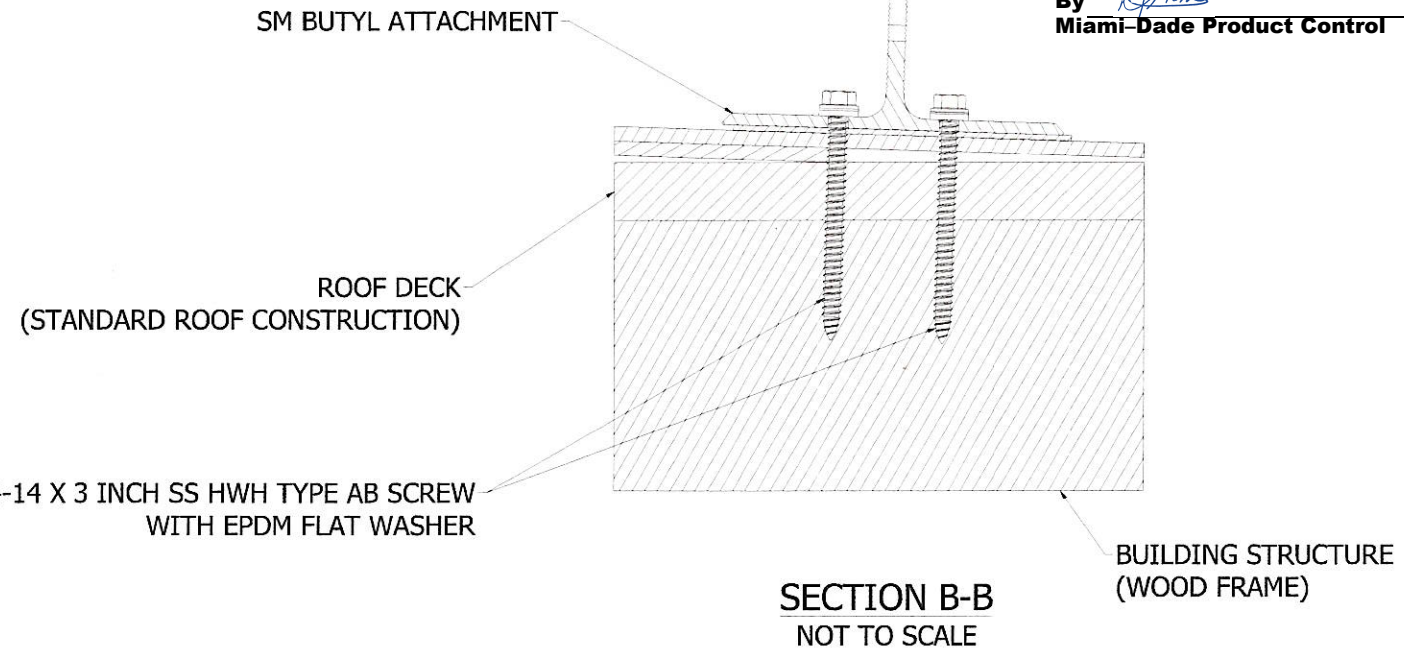
SECTION SM BUTYL DETAIL
NOT TO SCALE

PRODUCT APPROVED
as complying with the Florida
Building Code
NOA-No. 24-0621.03
Approval Date 11/27/2024
By *[Signature]*
Miami-Dade Product Control



SOLARMOUNT LIGHT

SOLARMOUNT STANDARD



SECTION B-B
NOT TO SCALE

REV DATE	DESCRIPTION	CHK
A 09/23/24	INITIAL RELEASE	KS
B 11/04/24	REVISED PER MARKUP	KS

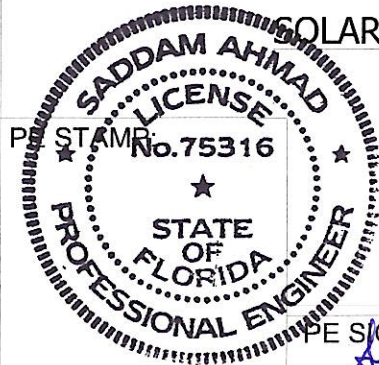
FOR
MIAMI-DADE
COUNTY

PROJECT
MIAMI-DADE CO.
NOA

PROJECT ADDRESS

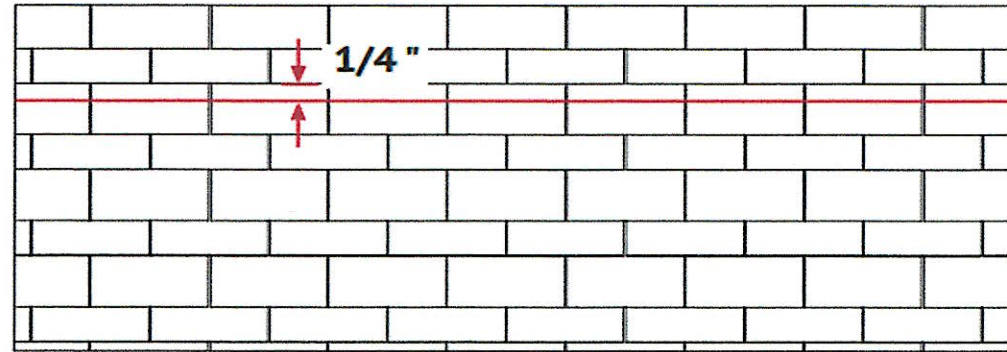
TITLE
SM BUTYL
ATTACHMENT

DWG NO.
M-D NOA SM
SHEET 4 OF 6



PE SIGNATURE: *[Signature]*

PE DATE: 11/14/24



MARK ARRAY LOCATION:

Clean roof surface of dirt, debris, snow, and ice. Mark array location and determine roof attachment locations based on array layout. Snap chalk lines to mark each row of roof attachment points. On shingle roofs, snap lines 1/4" below upslope edge of shingle course. Locate rafters and mark at intersection of attachment lines. Attachment spacing determined per Design and Engineering Guide or project specific U-Builder Engineering Report .

PRO TIP

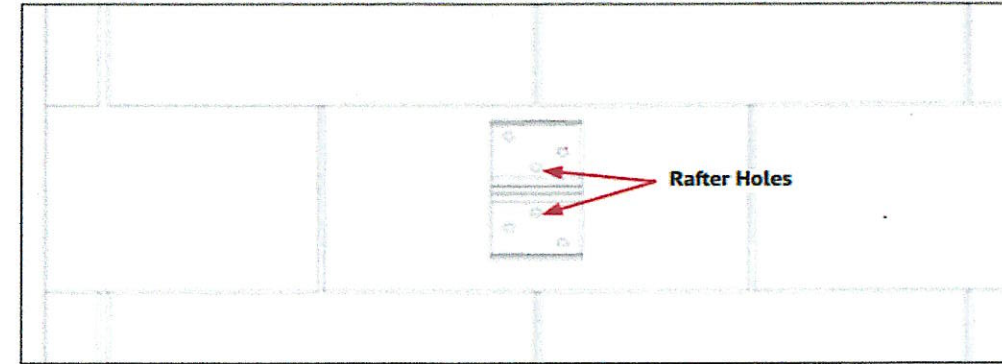
Install the attachment within 1/4" of the chalkline to allow the rail to slide freely in the rail clamp.

WARNING

- To maintain butyl flashing performance, Unirac does not recommend installing when ambient and/or roof temperatures are below 5°F or above 180°F.
- SM Butyl attachment must be installed on a clean, dry surface to ensure flashing integrity.

NOTE:

- SM Butyl attachment is designed for use on Asphalt Shingle, Rolled Comp, EPDM, TPO, Polyethylene, Polypropylene, ABS, and Metal Roofs (including Galvalume, painted steel, and galvanized).
- Pilot holes are not necessary to be drilled for self-drilling screws. If holes are drilled to identify the rafter, they should be backfilled with sealant before installing the attachment.
- SM Butyl attachment is designed for slopes ranging from 0 to 90-degrees. For installations over 45-degrees, contact Unirac engineering for design guidance.



PLACE SM BUTYL ATTACHMENT BASE:

Identify the position of the attachment to install before peeling the release paper. Ensure that the attachment lands on a flat surface. If the surface at the location of the attachment is uneven, add butyl patches to flatten the surface.

Note:

- Use rafter holes to install attachment on the rafter.

CAUTION

Do not peel the release paper from the butyl on attachment before identifying the position of attachment to install.

WARNING

Installing attachment on uneven surfaces, shingle gaps or overlaps, creates a risk for water leakage due to gap created between the adhesive and roof surface.

Note:

See Page 46 for instructions on placing extra butyl pads or contact Unirac team for further information.

REVISIONS	DESCRIPTION	CHK
REV DATE	INITIAL RELEASE	KS
A 09/23/24		
B 11/04/24	REVISED PER MARKUP	KS

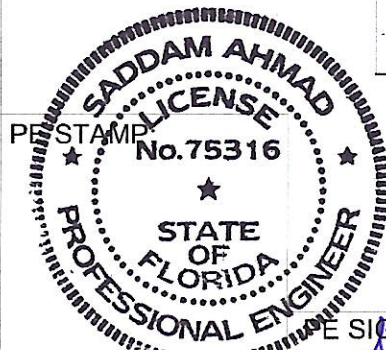
FOR
MIAMI-DADE COUNTY

PROJECT
MIAMI-DADE CO. NOA
PROJECT ADDRESS

TITLE
SM BUTYL ATTACHMENT

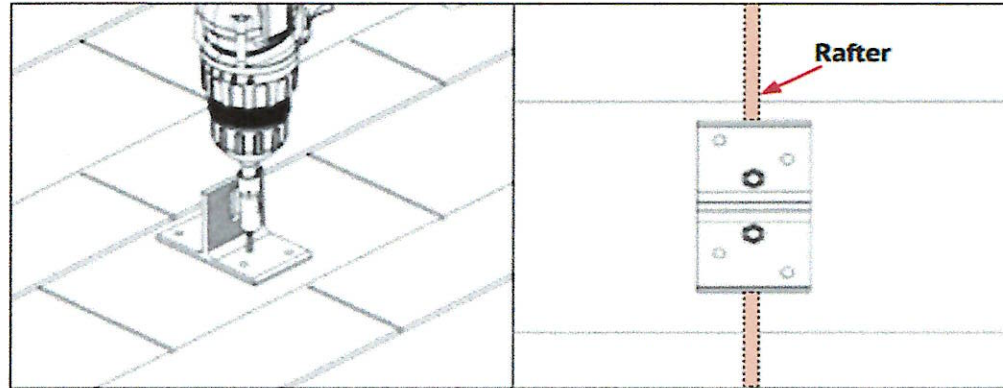
DWG NO.
M-D NOA SM
SHEET 5 OF 6

PRODUCT APPROVED
as complying with the Florida Building Code
NOA-No. 24-0621.03
Approval Date 11/27/2024
By Miami-Dade Product Control



PE SIGNATURE:

PE DATE: 11/14/24



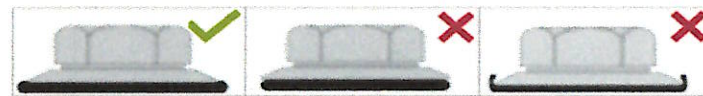
INSTALLING SM BUTYL ATTACHMENT BASE TO RAFTER:
 Peel-off the release paper from the underside of the attachment and place attachment over rafter location and align edge of attachment with horizontal chalk line. Secure attachment with the two (2) provided rafter screws in the rafter holes of the attachment.

Note:
 Ensure to use drill extension or deep socket tool for installing rafter screws.

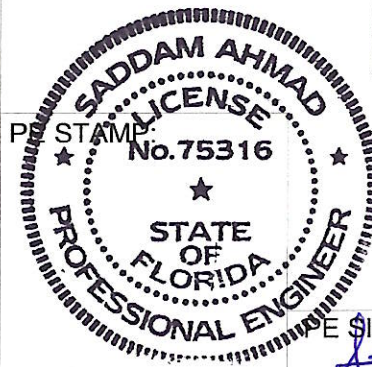
CAUTION

- To determine if the screw is engaging the rafter, there should be resistance to driving the screw through the entire length. If the screws do not properly engage the rafter, refer to the pro tip mentioned.
- It is recommended to begin installation with the screws on the upslope side of the attachment and continue installing the screws on the downslope side of the attachment for best fit.

WARNING



Do not over-torque the structural screw.
 When proper torque is applied, the EPDM washer should slightly expand out from the sides as shown in the image.



ENGINEER SIGNATURE: *[Signature]* PE DATE: 11/14/24

PRODUCT APPROVED
 as complying with the Florida Building Code
 NOA-No. 24-0621.03
 Approval Date 11/27/2024
 By *[Signature]*
 Miami-Dade Product Control

REV DATE	DESCRIPTION	CHK
A	09/23/24 INITIAL RELEASE	KS
B	11/04/24 REVISED PER MARKUP	KS

FOR	MIAMI-DADE COUNTY
PROJECT	MIAMI-DADE CO. NOA
PROJECT ADDRESS	
TITLE	SM BUTYL ATTACHMENT
DWG NO.	M-D NOA SM
SHEET	6 OF 6