



DEPARTMENT OF REGULATORY AND ECONOMIC RESOURCES (RER)
 BOARD AND CODE ADMINISTRATION DIVISION
NOTICE OF ACCEPTANCE (NOA)

MIAMI-DADE COUNTY
PRODUCT CONTROL SECTION
 11805 SW 26 Street, Room 208
 Miami, Florida 33175-2474
 T (786) 315-2590 F (786) 315-2599
www.miamidade.gov/economy

Reliable Products a div. of Ruskin Company
1300 Enterprise Road (PO Box 580)
Geneva, AL 36340

SCOPE: This NOA is being issued under the applicable rules and regulations governing the use of construction materials. The documentation submitted has been reviewed and accepted by Miami-Dade County RER-Product Control Section to be used in Miami Dade County and other areas where allowed by the Authority Having Jurisdiction (AHJ).

This NOA shall not be valid after the expiration date stated below. The Miami-Dade County Product Control Section (In Miami Dade County) and/or the AHJ (in areas other than Miami Dade County) reserve the right to have this product or material tested for quality assurance purposes. If this product or material fails to perform in the accepted manner, the manufacturer will incur the expense of such testing and the AHJ may immediately revoke, modify, or suspend the use of such product or material within their jurisdiction. RER reserves the right to revoke this acceptance if it is determined by Miami-Dade County Product Control Section that this product or material fails to meet the requirements of the applicable building code.

This product is approved as described herein and has been designed to comply with the Florida Building Code, including the High Velocity Hurricane Zone.

DESCRIPTION: Model AEL-VT-MD Thinline Aluminum Louver

APPROVAL DOCUMENT: Drawing No. **60-022767-00D**, titled "AEL-VT-MD", sheets 1 through 7 of 7, dated 12/05/2025, prepared by Reliable Products a div. of Ruskin Company, signed and sealed by Jeffrey D. Smith, P.E. on 02/03/2026, bearing the Miami-Dade County Product Control approval stamp with the Notice of Acceptance number and expiration date by the Miami-Dade County Product Control Section.

MISSILE IMPACT RATING: Large and Small Missile Impact Resistant

LABELING: Each unit shall bear a permanent label with the manufacturer's name or logo, Ciudad Juarez, Chihuahua, Mexico, model/series, and following statement: "Miami-Dade County Product Control Approved", unless otherwise noted herein.

RENEWAL of this NOA shall be considered after a renewal application has been filed and there has been no change in the applicable building code negatively affecting the performance of this product.

TERMINATION of this NOA will occur after the expiration date or if there has been a revision or change in the materials, use, and/or manufacture of the product or process. Misuse of this NOA as an endorsement of any product, for sales, advertising or any other purposes shall automatically terminate this NOA. Failure to comply with any section of this NOA shall be cause for termination and removal of NOA.

ADVERTISEMENT: The NOA number preceded by the words Miami-Dade County, Florida, and followed by the expiration date may be displayed in advertising literature. If any portion of the NOA is displayed, then it shall be done in its entirety.

INSPECTION: A copy of this entire NOA shall be provided to the user by the manufacturer or its distributors and shall be available for inspection at the job site at the request of the Building Official. This NOA consists of page 1 and evidence page E-1, as well as approval document mentioned above. The submitted documentation was reviewed by **Carlos M. Utrera, P.E.**



02/24/26

NOA No. 25-0501.01
Expiration Date: March 5, 2031
Approval Date: March 5, 2026
 Page 1

NOTICE OF ACCEPTANCE: EVIDENCE SUBMITTED

A. DRAWINGS

1. Drawing No. **60-022767-00D**, titled “AEL-VT-MD”, sheets 1 through 7 of 7, dated 12/05/2025, prepared by Reliable Products a div. of Ruskin Company, signed and sealed by Jeffrey D. Smith, P.E. on 02/03/2026.

B. TESTS

1. Test report on 1) Uniform Static Air Pressure Test, Loading per FBC TAS 202-94
2) Large Missile Impact Test per FBC, TAS 201-94
3) Cyclic Wind Pressure Loading per FBC, TAS 203-94
along with marked-up drawings and installation diagram of Model AEL-VT-MD Aluminum Louvers, prepared by Intertek, Report No. **T3653.01-801-18-r0**, dated 02/03/2026, signed and sealed by Tyler Westerling, P.E.

C. CALCULATIONS

1. Louver wind load review prepared by Reliable Products a div. of Ruskin Company, dated 02/03/2026, signed and sealed by Jeffrey D. Smith, P.E.

CI. QUALITY ASSURANCE

1. Miami-Dade Department of Regulatory and Economic Resources (RER)

CII. MATERIAL CERTIFICATIONS

1. None.

CIII. STATEMENTS

1. Statement letter of code conformance to the 8th edition (2023) of the FBC, issued by Reliable Products a div. of Ruskin Company, dated 02/04/2026, signed and sealed by Jeffrey D. Smith, P.E.
2. No financial interest letter issued by Reliable Products a div. of Ruskin Company, dated 02/04/2026, signed and sealed by Jeffrey D. Smith, P.E.
3. Distributor agreement between Ruskin Co. and Johson Controls/Ruskin Mexico, dated 06/01/2020.

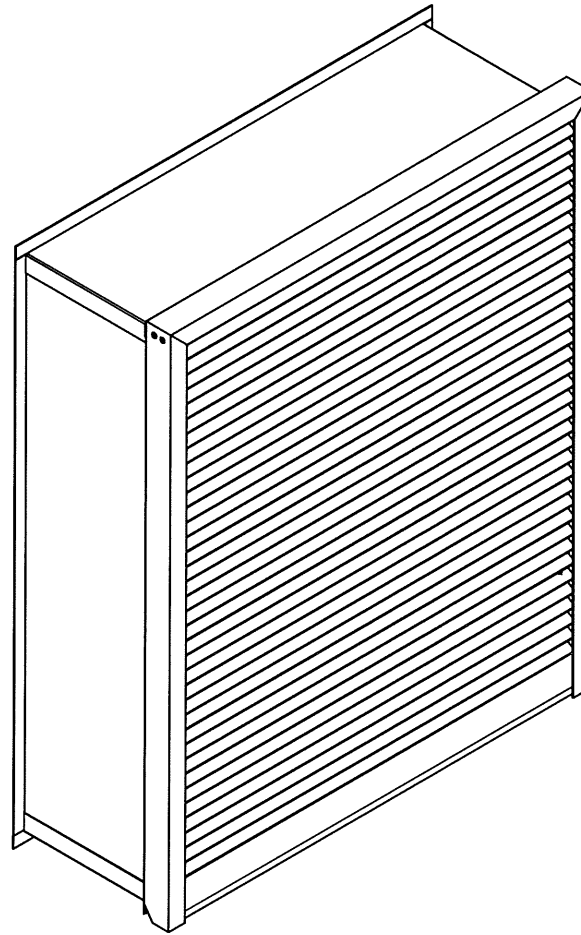


Carlos M. Utrera, P.E.
Product Control Examiner
NOA No. 25-0501.01
Expiration Date: March 5, 2031
Approval Date: March 5, 2026

PARTS LIST		
ITEM	DESCRIPTION	MATERIAL
1	HEAD FRAME	6063-T6 EXTRUDED ALUM .125"
2	SILL ANGLE	6063-T6 EXTRUDED ALUM .125"
3	JAMB FRAME LEFT HAND	6063-T6 EXTRUDED ALUM .125"
4	JAMB FRAME RIGHT HAND	6063-T6 EXTRUDED ALUM .125"
5	BLADE	6063-T5 EXTRUDED ALUM .064"
6	BLADE BOTTOM	6063-T6 EXTRUDED ALUM .062"
7	CORNER LUG	6063-T5 EXTRUDED ALUM .061"
8	BRACE BAR JAMB	6063-T5 EXTRUDED ALUM .050"
9	BRACE BAR	6063-T5 EXTRUDED ALUM .050"
10	SPLINE JAMB	6063-T5 EXTRUDED ALUM .200"
11	SPLINE	6063-T5 EXTRUDED ALUM .200"
12	BLADE END SUPPORT	5005-H34 SHEET ALUM .125"
13	BLADE RETENTION STRIP	5005-H34 SHEET ALUM .063"
14	# 10-16 X 1" SAE GRADE 2 S.D. "HWH" SCREW	410 SS/ZC
15	WASHER	Steel, Mild
16	1/8" DIA 0.313" - 0.375" GRIP POP RIVET	ALUMINUM
17	POP RIVET: 3/16" DIA X 3/8" LG GRIP RANGE	STEEL
18	WALL SLEEVE (FRIEDRICH, VPAWP1-8/14)	SHEET STEEL 20 GA

ABBREVIATIONS:

- BTM - BOTTOM
- B.O. - BLANK OFF
- CONT. - CONTINUOUS
- CN - CONTROL NUMBER
- C-C - CENTER TO CENTER
- DIM - DIMENSION
- FLG - FLANGE
- F.A. - FREE AREA
- HDG - HOT DIP GALVANIZED
- H.V.B.S. - HIDDEN VERTICAL BLADE SUPPORT
- H.H.B.S. - HIDDEN HORIZONTAL BLADE SUPPORT
- HWH - HEX WASHER HEAD
- L.D. - LOUVER DIMENSION
- MAX. - MAXIMUM
- MIN. - MINIMUM
- NOM. - NOMINAL
- N.T.E. - NOT TO EXCEED
- N.T.S. - NOT TO SCALE
- O/C - ON CENTER
- OPP. - OPPOSITE
- N.I.C. - NOT IN CONTRACT
- R.O. - ROUGH OPENING
- REF - REFERENCE
- SHT - SHEET
- S.S. - SHIP SECTION
- S.S.D. - SHIP SECTION DIMENSION
- S.D.S. - SELF DRILLING SCREW
- SIM - SIMILAR
- STL - STEEL
- THK - THICK
- TYP. - TYPICAL
- U.N.O. - UNLESS NOTED OTHERWISE
- WDR - WIND-DRIVEN RAIN



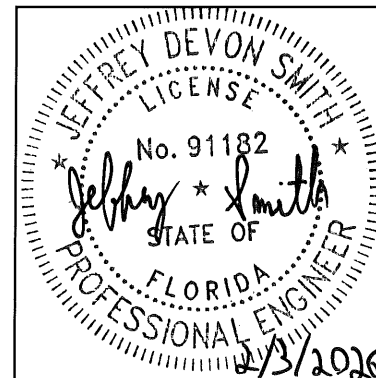
RECTANGLE LOUVER WITH SLEEVE
N.T.S

NOTES:

1. THE AEL-VT-MD HAS BEEN TESTED IN ACCORDANCE WITH MIAMI-DADE COUNTY PROTOCOLS TAS-201, 202 & 203 FOR LARGE MISSILE IMPACT, UNIFORM PRESSURE AND CYCLIC WIND PRESSURE.
2. THIS LOUVER SYSTEM IS APPROVED FOR APPLICATIONS WITH DESIGN PRESSURES OF +/- 50 PSF OR LESS. THIS LOUVER IS NON-BEARING AND IS NOT DESIGNED TO WITHSTAND BUILDING DEAD LOADS.
3. THIS LOUVER IS TO BE INSTALLED IN LOCATIONS WHERE THE ROOM BEHIND THE LOUVER IS DESIGNED TO DRAIN WATER THAT PENETRATES INTO THE ROOM AND THE ROOM WILL HOUSE WATER RESISTANT / WATER PROOF EQUIPMENT, COMPONENTS, OR SUPPLIES
4. THIS LOUVER IS TO BE ATTACHED TO A WALL SLEEVE PROVIDED BY FRIEDRICH. RELIABLE DOES NOT DETERMINE THE STRUCTURAL INTEGRITY OF THE WALL SLEEVE. MINIMUM WALL SLEEVE MATERIAL REQUIREMENT GIVEN ARE ONLY AS NEEDED FOR ADEQUATE ATTACHMENT OF THE LOUVER.

DRAWING SHEET INDEX:

- SHEET 01 - NOTES, PARTS LIST, & DRAWING INDEX
- SHEET 02 - ASSEMBLY DETAILS
- SHEET 03 - ASSEMBLY CONSTRUCTION DETAILS
- SHEET 04 - ASSEMBLY CONNECTION DETAILS
- SHEET 05 - WALL SLEEVE ATTACHMENT DETAILS
- SHEET 06 - PARTS
- SHEET 07 - PARTS

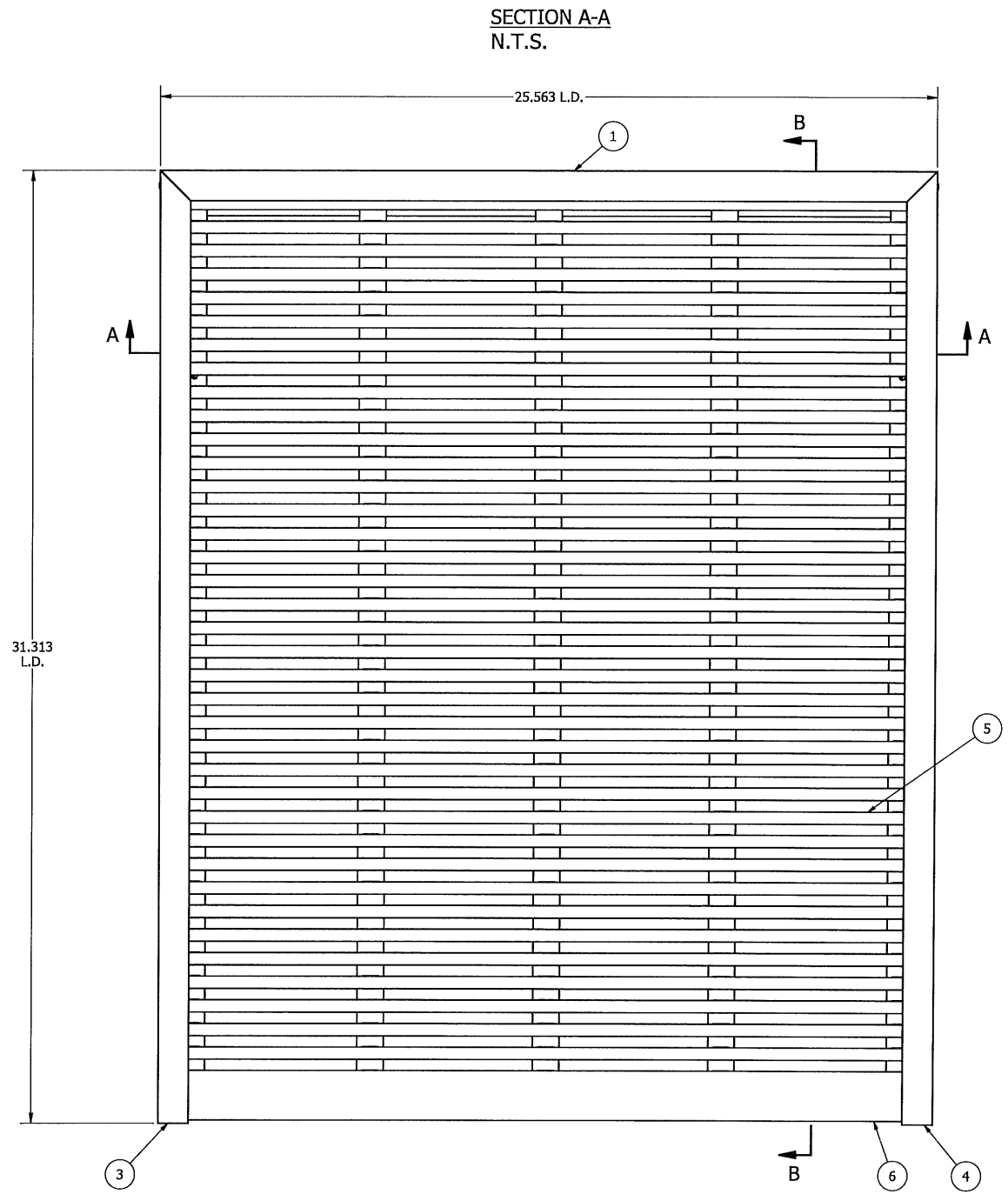
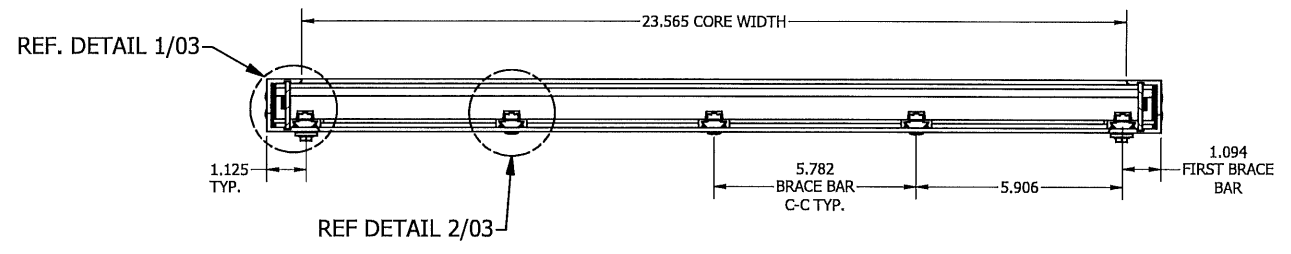


JEFFREY SMITH, P.E.
NO. 91182

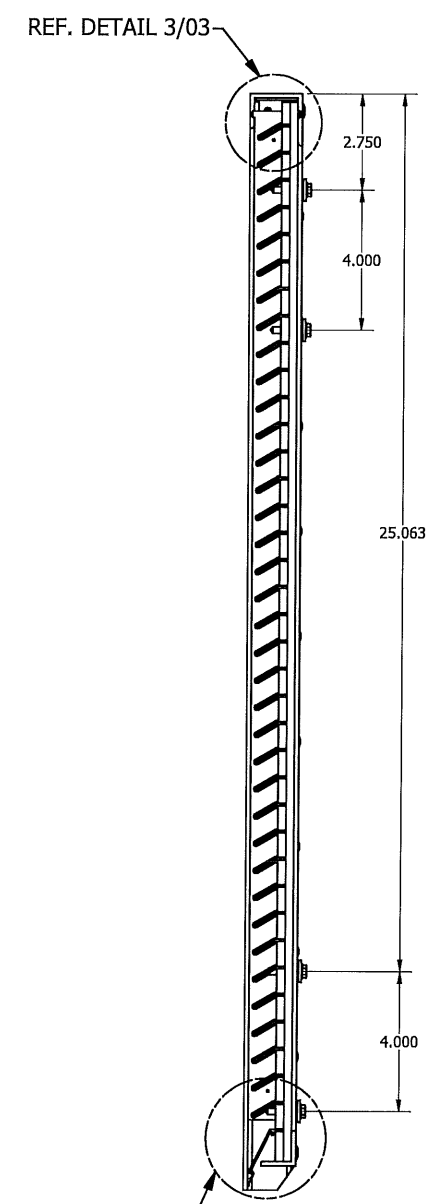
PRODUCT APPROVED
as complying with the Florida
Building Code
NOA-No. 25-0501.01
Approval Date 03/05/2026
By *[Signature]*
Miami-Dade Product Control

UNLESS OTHERWISE SPECIFIED, USE STD.
ENGINEERING TOLERANCES PER WIQ-007

REV	DESCRIPTION	AMS	E-R	DES	CHK	APVD	ECN	DATE
-	INITIAL RELEASE							
AUTHOR	AMS	12/5/2025						
CHECKED	E-R							
APPROVED								
MATERIAL	EXTRUDED ALUMINUM							
PRODUCT	AEL-VT-MD							
TITLE	NOTES, PARTS LIST, & DRAWING INDEX							
SIZE	D							
DWG NO	60-022767-00D							
SCALE	NTS							
INVENTOR								
SHEET	1							
OF	7							

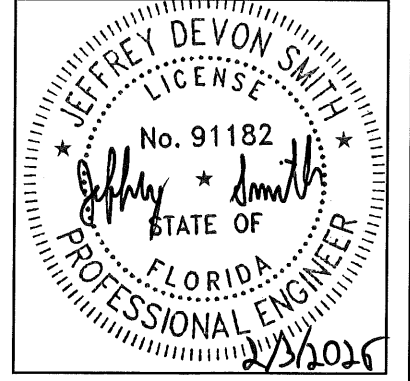


ASSEMBLY "A"
N.T.S.
AEL-VT-MD
FRONT VIEW



SECTION B-B

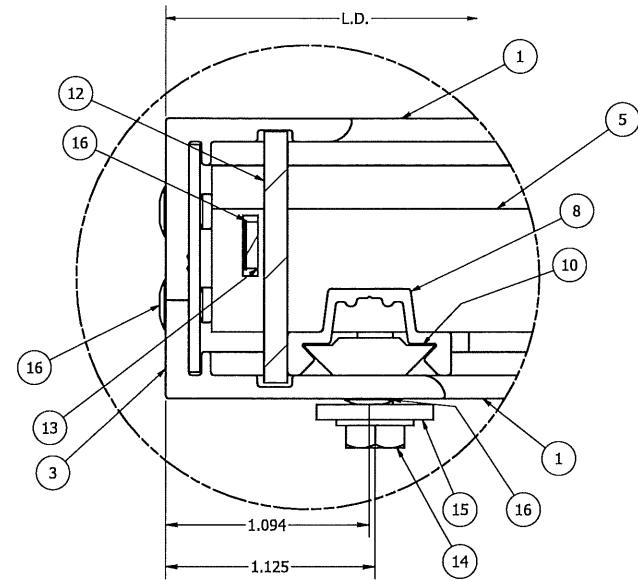
PRODUCT APPROVED
as complying with the Florida
Building Code
NOA-No. 25-0501.01
Approval Date 03/05/2026
By *[Signature]*
Miami-Dade Product Control



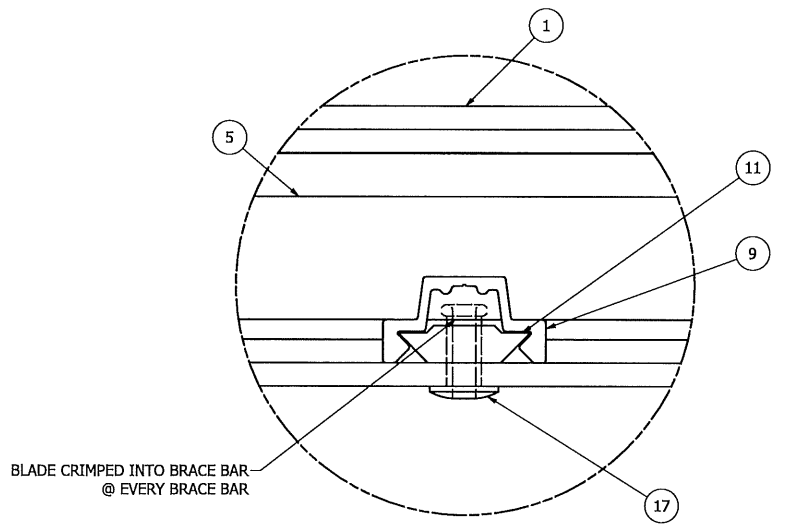
JEFFREY SMITH, P.E.
NO. 91182

REV	DESCRIPTION	AMS	E-R	DES	CHK	APVD	ECN	DATE
-	INITIAL RELEASE							
AUTHOR	AMS	12/5/2025						
CHECKED	F-R							
APPROVED								
MATERIAL	EXTRUDED ALUMINUM							
PRODUCT	AEL-VT-MD							
TITLE	ASSEMBLY DETAILS							
SIZE	D							
DWG NO	60-022767-000							
SCALE	NTS							
INVENTOR								
SHEET	2							
OF	7							

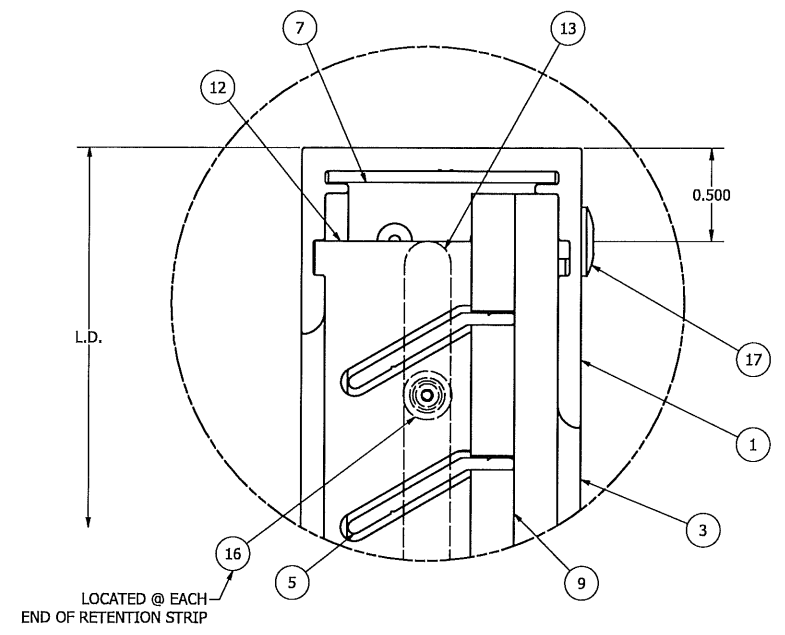
UNLESS OTHERWISE SPECIFIED, USE STD. ENGINEERING TOLERANCES PER WIQ-007



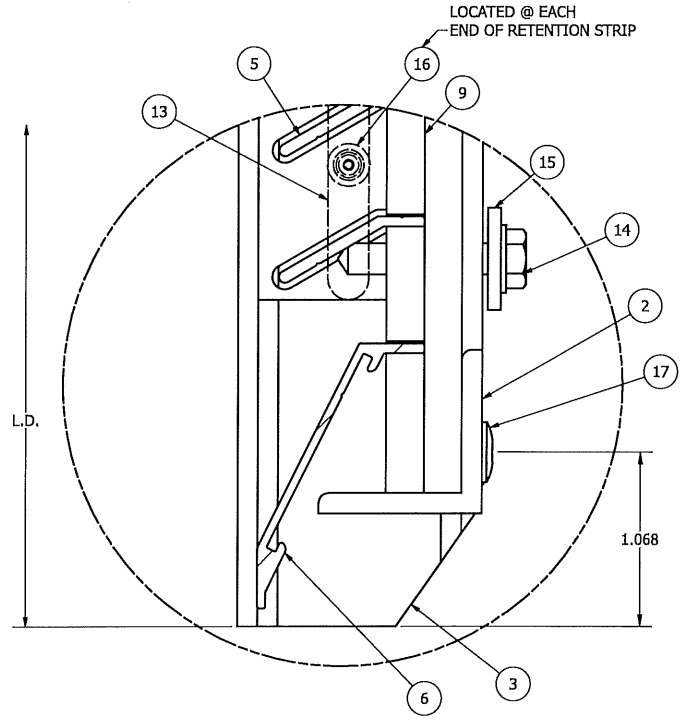
1
02 JAMB CONSTRUCTION DETAIL
N.T.S



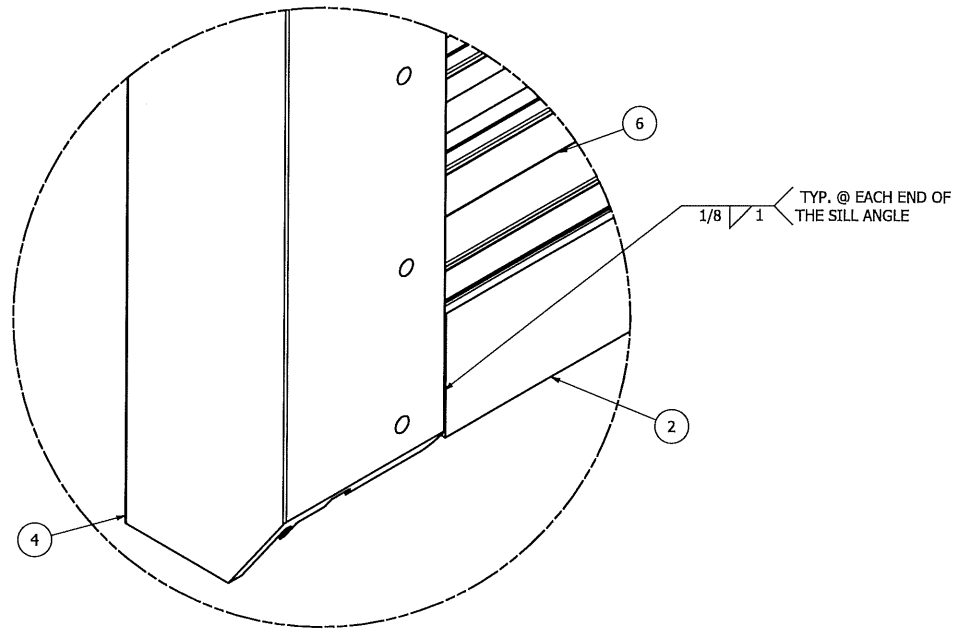
2
02 BRACE BAR CONSTRUCTION DETAIL
N.T.S



3
02 HEAD CONSTRUCTION DETAIL
N.T.S

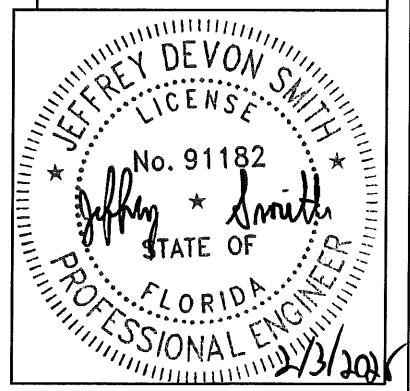


4
02 SILL CONSTRUCTION DETAIL
N.T.S



5
- SILL WELDMENT DETAIL
N.T.S

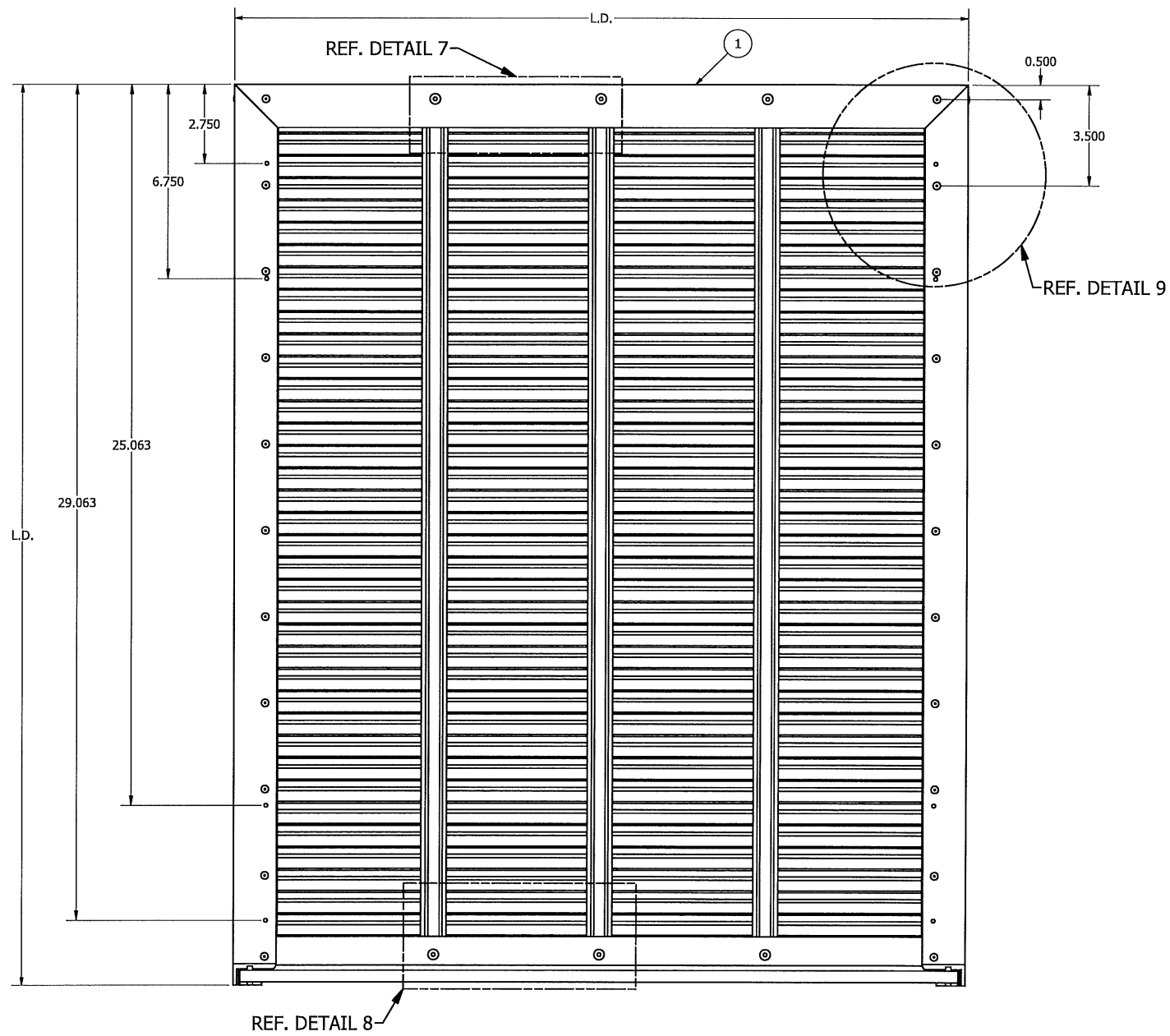
PRODUCT APPROVED
as complying with the Florida
Building Code
NOA-No. 25-0501.01
Approval Date 03/05/2026
By *[Signature]*
Miami-Dade Product Control



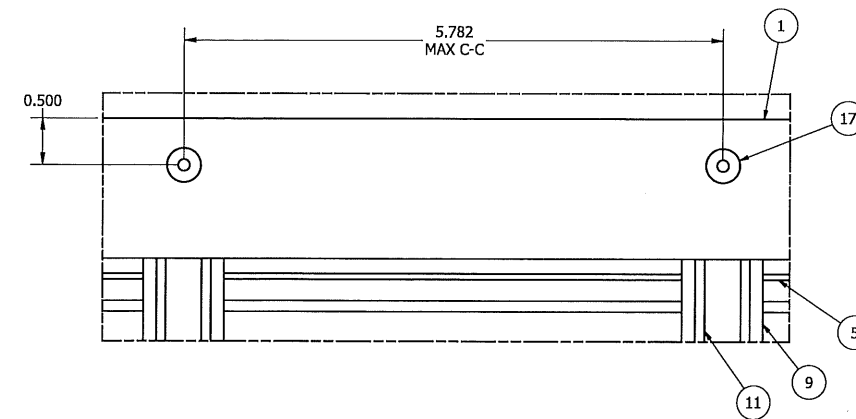
JEFFREY SMITH, P.E.
NO. 91182

REV	DESCRIPTION	AMS	E-R	DES	CHK	APVD	ECN	DATE
-	INITIAL RELEASE							
AUTHOR	AMS	12/5/2025						
CHECKED	E-R							
APPROVED								
MATERIAL	EXTRUDED ALUMINUM							
PRODUCT	AEL-VT-MD							
TITLE	ASSEMBLY CONSTRUCTION DETAILS							
SIZE	D							
DWG NO	60-022767-00D							
SCALE	NTS							
INVENTOR								

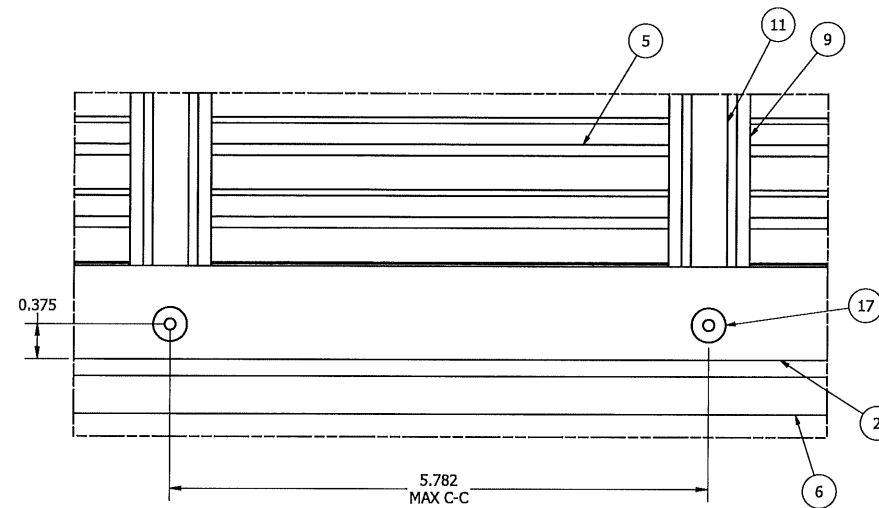
UNLESS OTHERWISE SPECIFIED, USE STD. ENGINEERING TOLERANCES PER WIQ-007



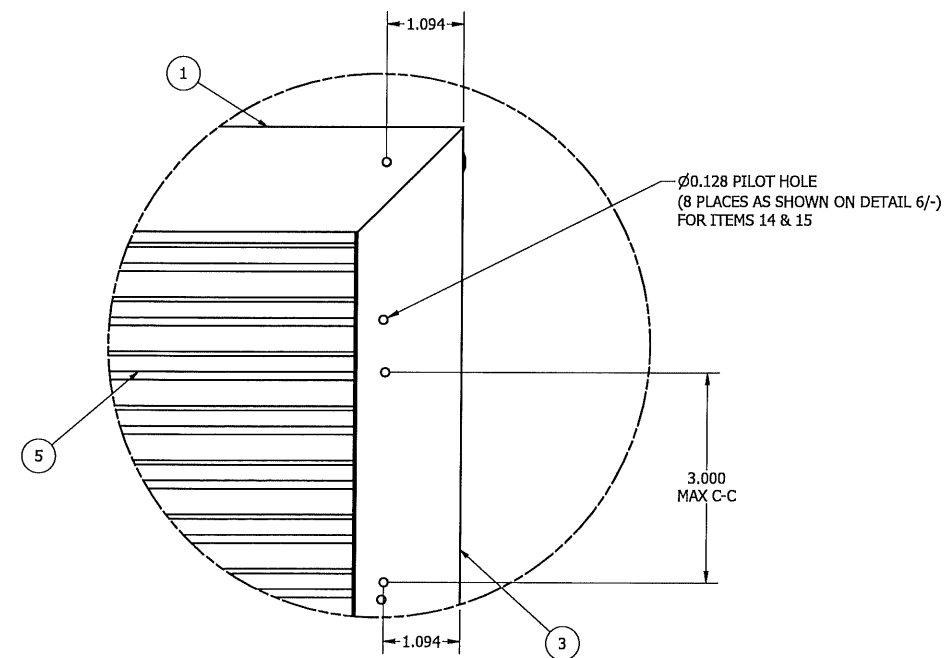
6 ASSEMBLY DETAIL
N.T.S REAR VIEW



7 HEAD CONNECTION DETAIL
N.T.S REAR VIEW

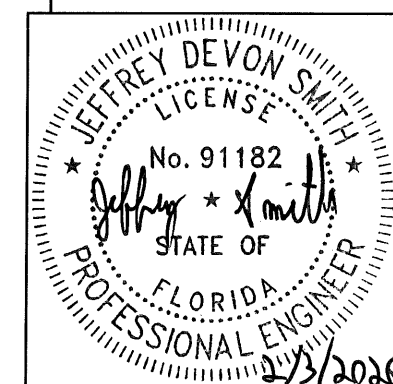


8 SILL CONNECTION DETAIL
N.T.S REAR VIEW



9 CORNER CONNECTION DETAIL
N.T.S REAR VIEW

PRODUCT APPROVED
as complying with the Florida
Building Code
NOA-No. 25-0501.01
Approval Date 03/05/2026
By *[Signature]*
Miami-Dade Product Control

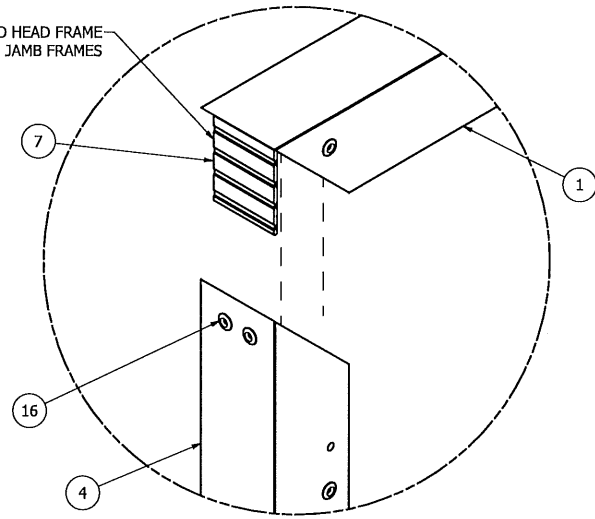


JEFFREY SMITH, P.E.
NO. 91182

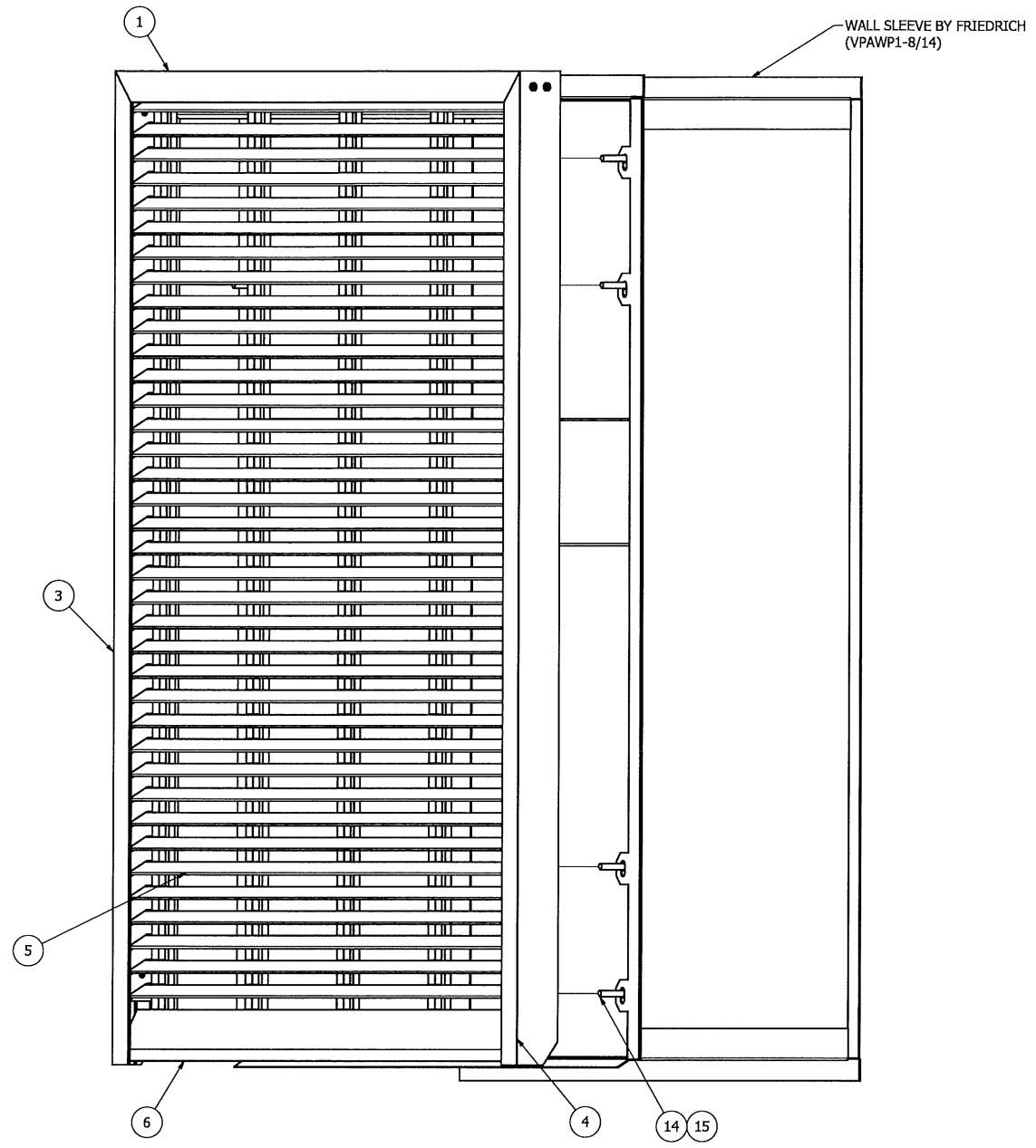
REV	DESCRIPTION	AMS	E-R	DES	CHK	APVD	ECN	DATE
-	INITIAL RELEASE							
AUTHOR	AMS	12/5/2025						
CHECKED	E-R							
APPROVED								
MATERIAL	EXTRUDED ALUMINUM							
PRODUCT	AEL-VT-MD							
TITLE	ASSEMBLY CONNECTION DETAILS							
SIZE	D							
DWG NO	60-022767-00D							
SCALE	NTS							
INVENTOR								
SHEET	4							
OF	7							

UNLESS OTHERWISE SPECIFIED, USE STD.
ENGINEERING TOLERANCES PER WIQ-007

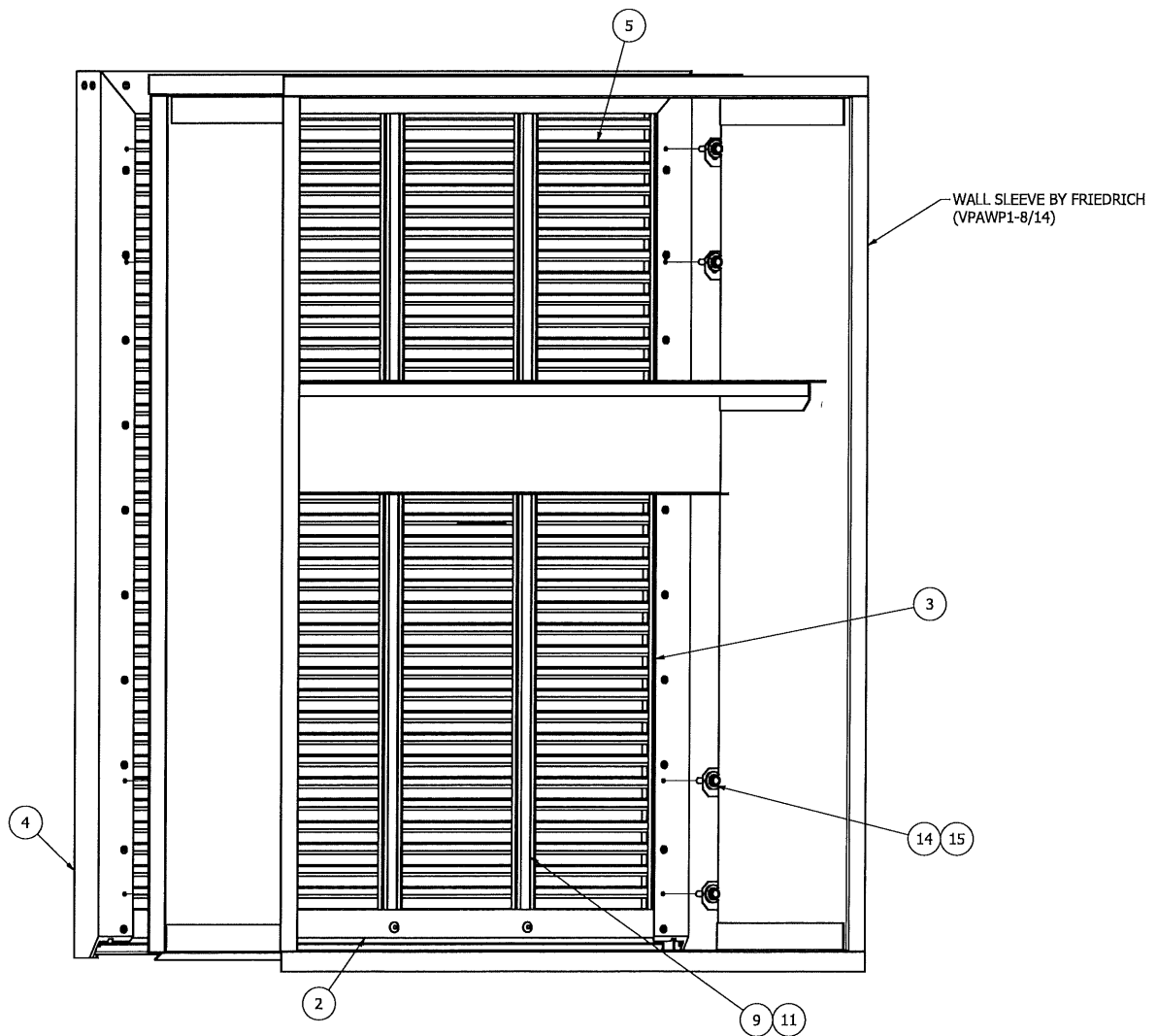
LUG CRIMPED TO HEAD FRAME
& RIVETED TO JAMB FRAMES



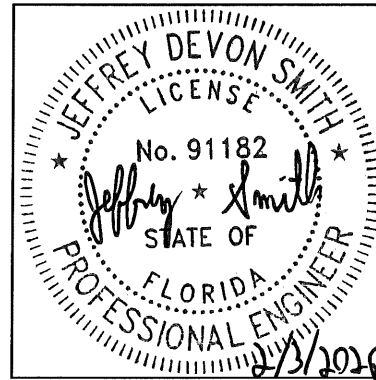
10 - CORNER CONNECTION DETAIL
N.T.S
NOTE: LOUVER CORE NOT SHOWN FOR CLARITY



12 - WALL SLEEVE ATTACHMENT DETAIL
N.T.S



11 - REAR WALL SLEEVE ATTACHMENT DETAIL
N.T.S.



PRODUCT APPROVED
as complying with the Florida
Building Code
NOA-No. 25-0501.01
Approval Date 03/05/2026
By *[Signature]*
Miami-Dade Product Control

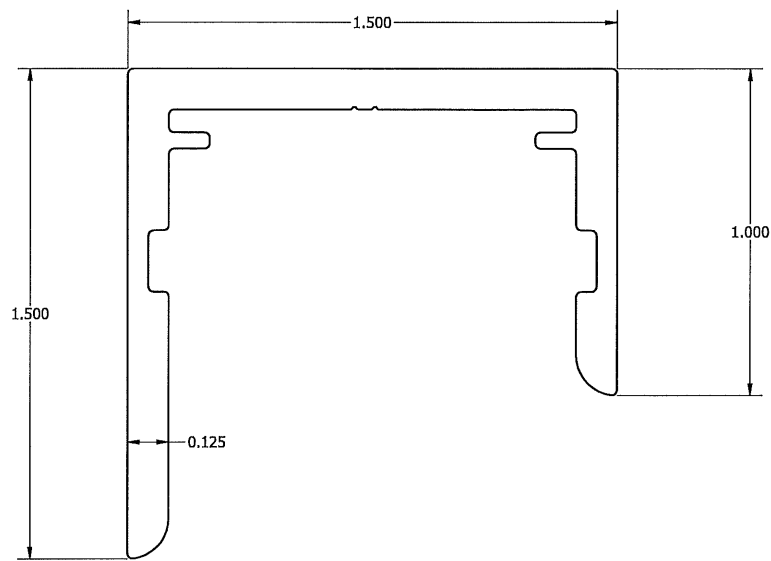
JEFFREY SMITH, P.E.
NO. 91182

UNLESS OTHERWISE SPECIFIED, USE STD.
ENGINEERING TOLERANCES PER WIQ-007

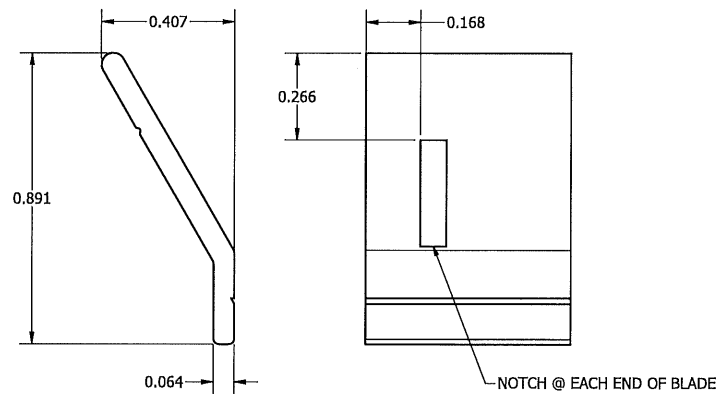
REV	DESCRIPTION	AMS	E-R	DES	CHK	APVD	ECN	DATE
-	INITIAL RELEASE							
AUTHOR	AMS	12/5/2025						
CHECKED	E-R							
APPROVED								
MATERIAL	EXTRUDED ALUMINUM							
SIZE	D							
SCALE	NTS							

RELIABLE
ARCHITECTURAL PRODUCTS
1300 Enterprise Road
Geneva, Alabama 36340
PROPRIETARY AND
CONFIDENTIAL

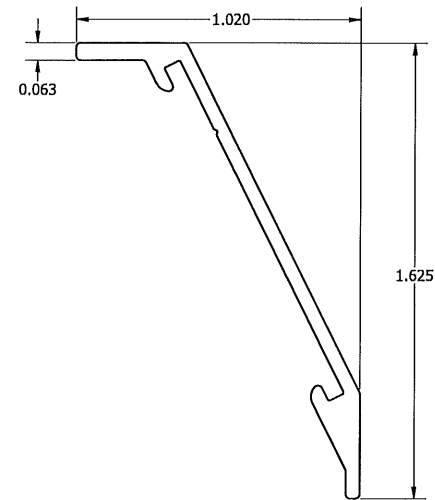
PRODUCT AEL-VT-MD
TITLE WALL SLEEVE ATTACHMENT DETAILS
DWG NO 60-022767-00D
REV -
INVENTOR SHEET 5 of 7



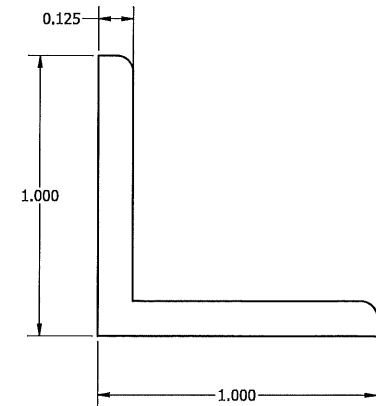
ITEM 1, 3 & 4 HEAD & JAMB FRAME
N.T.S.
RELIABLE PART# 70-023371-00B



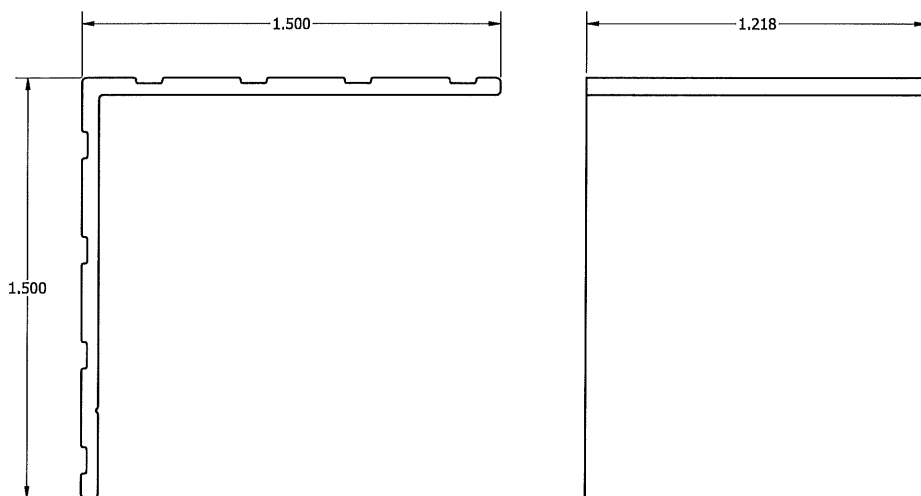
ITEM 5 BLADE
N.T.S.
RELIABLE PART# RSM218



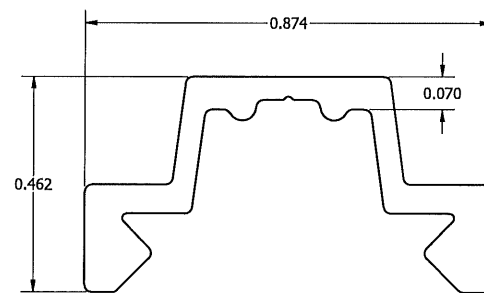
ITEM 6 BOTTOM BLADE
N.T.S.
RELIABLE PART# RSM68



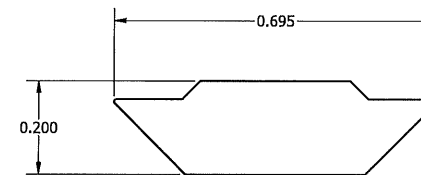
ITEM 2 SILL ANGLE
N.T.S.



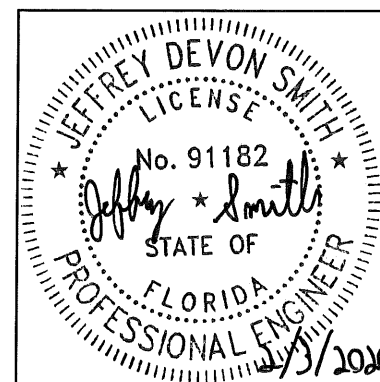
ITEM 7 CORNER LUG
N.T.S.
RELIABLE PART# RSM285



ITEM 8 & 9 BRACE BAR
N.T.S.
RELIABLE PART# RSM304



ITEM 10 & 11 SPLINE
N.T.S.
RELIABLE PART# RSM70



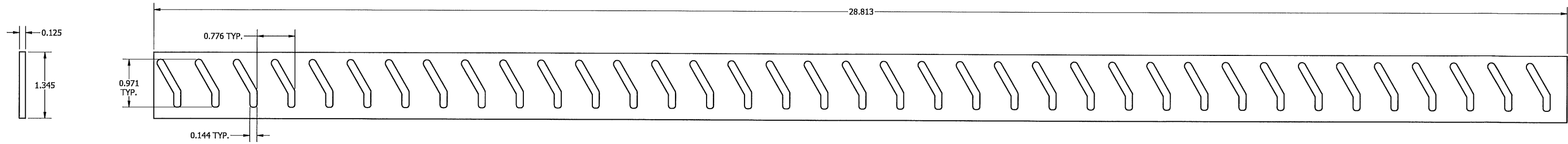
JEFFREY SMITH, P.E.
NO. 91182

PRODUCT APPROVED
as complying with the Florida
Building Code
NOA-No. 25-0501.01
Approval Date 03/05/2026
By *[Signature]*
Miami-Dade Product Control

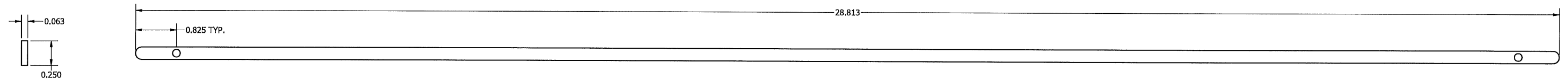
UNLESS OTHERWISE SPECIFIED, USE STD.
ENGINEERING TOLERANCES PER WIQ-007

REV	DESCRIPTION	AMS	E-R	DES	CHK	APVD	ECN	DATE
-	INITIAL RELEASE							
AUTHOR	AMS	12/5/2025						
CHECKED	E-R							
APPROVED								
MATERIAL	EXTRUDED ALUMINUM							
TITLE		PARTS						
SIZE	D	DWG NO	60-022767-00D					
SCALE	NTS	INVENTOR	SHEET 6 OF 7					

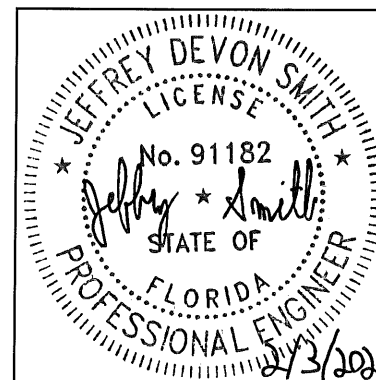
RELIABLE
ARCHITECTURAL PRODUCTS
1300 Enterprise Road
Geneva, Alabama 36340
PROPRIETARY AND
CONFIDENTIAL



ITEM 12 BLADE END SUPPORT
N.T.S.



ITEM 13 BLADE RETENTION STRIP
N.T.S.



JEFFREY SMITH, P.E.
NO. 91182

PRODUCT APPROVED
as complying with the Florida
Building Code
NOA-No. 25-0501.01
Approval Date 03/05/2026
By *[Signature]*
Miami-Dade Product Control

UNLESS OTHERWISE SPECIFIED, USE STD.
ENGINEERING TOLERANCES PER WIQ-007

REV	DESCRIPTION	AMS	E-R	DES	CHK	APVD	ECN	DATE
-	INITIAL RELEASE							
AUTHOR	AMS	12/5/2025						
CHECKED	E-R							
APPROVED								
MATERIAL	EXTRUDED ALUMINUM	PRODUCT		AEL-VT-MD				
TITLE		PARTS						
SIZE	D	DWG NO	60-022767-00D		REV	-		
SCALE	NTS	INVENTOR	SHEET 7 of 7					

RELIABLE
ARCHITECTURAL PRODUCTS
1300 Enterprise Road
Geneva, Alabama 36340
PROPRIETARY AND
CONFIDENTIAL