



DEPARTMENT OF REGULATORY AND ECONOMIC RESOURCES (RER)  
BOARD AND CODE ADMINISTRATION DIVISION

MIAMI-DADE COUNTY  
PRODUCT CONTROL SECTION  
11805 SW 26 Street, Room 208  
Miami, Florida 33175-2474  
T (786) 315-2590 F (786) 315-2599  
[www.miamidade.gov/economy](http://www.miamidade.gov/economy)

## NOTICE OF ACCEPTANCE (NOA)

**The Garland Company, Inc.**  
3800 East 91<sup>st</sup> Street  
Cleveland, OH 44105-2197

### SCOPE:

This NOA is being issued under the applicable rules and regulations governing the use of construction materials. The documentation submitted has been reviewed and accepted by Miami-Dade County RER - Product Control Section to be used in Miami-Dade County and other areas where allowed by the Authority Having Jurisdiction (AHJ).

This NOA shall not be valid after the expiration date stated below. The Miami-Dade County Product Control Section (In Miami-Dade County) and/or the AHJ (in areas other than Miami-Dade County) reserve the right to have this product or material tested for quality assurance purposes. If this product or material fails to perform in the accepted manner, the manufacturer will incur the expense of such testing and the AHJ may immediately revoke, modify, or suspend the use of such product or material within their jurisdiction. RER reserves the right to revoke this acceptance, if it is determined by Miami-Dade County Product Control Section that this product or material fails to meet the requirements of the applicable building code.

This product is approved as described herein and has been designed to comply with the Florida Building Code including the High Velocity Hurricane Zone of the Florida Building Code.

### DESCRIPTION: **Garland R-Mer Shield, 22ga. Steel Panel over Wood Deck**

**LABELING:** Each unit shall bear a permanent label with the manufacturer's name or logo, city, state and following statement: "Miami-Dade County Product Control Approved", unless otherwise noted herein.

**RENEWAL** of this NOA shall be considered after a renewal application has been filed and there has been no change in the applicable building code negatively affecting the performance of this product.

**TERMINATION** of this NOA will occur after the expiration date or if there has been a revision or change in the materials, use, and/or manufacture of the product or process. Misuse of this NOA as an endorsement of any product, for sales, advertising or any other purposes shall automatically terminate this NOA. Failure to comply with any section of this NOA shall be cause for termination and removal of NOA.

**ADVERTISEMENT:** The NOA number preceded by the words Miami-Dade County, Florida, and followed by the expiration date may be displayed in advertising literature. If any portion of the NOA is displayed, then it shall be done in its entirety.

**INSPECTION:** A copy of this entire NOA shall be provided to the user by the manufacturer or its distributors and shall be available for inspection at the job site at the request of the Building Official.

This NOA consists of pages 1 through 8.

The submitted documentation was reviewed by Alex Tigera.

02/26/26



NOA No.: 25-0611.04  
Expiration Date: 02/26/31  
Approval Date: 02/26/26  
Page 1 of 8

**ROOFING ASSEMBLY APPROVAL:**

<b>Category:</b>	Roofing
<b>Sub-Category:</b>	Non-Structural Metal Roofing
<b>Material:</b>	Steel
<b>Deck Type:</b>	Wood
<b>Maximum Design Pressure</b>	See Table A and B herein

**TRADE NAMES OF PRODUCTS MANUFACTURED OR LABELED BY APPLICANT:**

<u>Product</u>	<u>Dimensions</u>	<u>Test Specifications</u>	<u>Product Description</u>
R-Mer Shield (22 ga. Panel Steel)	l = various w = 16 3/4" min. 22 gauge (0.029" thick) Min. Yield Strength: 55ksi	TAS 110 & TAS 125	Preformed, standing seam, coated, prefinished, steel panels.
R-Mer Shield Clip (Base Clip)	Length (Top): 5 7/16" Length (Bottom): 3" Width (Bottom): 1 1/2" Height: 2 1/2" Thickness: 0.125"	TAS 125	One-piece metal clip.
Top Rail	l = various w = 1-5/16" h = 11/16" min. 22ga thick	TAS 125	Sections of cap used over clip/seam.
Seam Cap	l = various w = 1-5/16" h = 1/2" min. 22ga steel	TAS 125	Continuous cover strips for use over the Top Rail/seam assembly over the entire length of cap/seams.
Trim Pieces	l = varies w = varies	TAS 110	Coated steel or aluminum trim pieces.

**MANUFACTURING LOCATION:**

- Norcross, GA.

**EVIDENCE SUBMITTED:**

<u>Test Agency</u>	<u>Test Identifier</u>	<u>Test Name/Report</u>	<u>Date</u>
Architectural Testing, Inc. (an Intertek Company) dba Intertek Building & Construction	R3908.01-109-18	TAS 100	01/21/25
	R4053.01-109-18 R2	TAS 125	01/28/26
	R4053.02-109-18 R2	TAS 125	01/28/26
The Sherwin-Williams Company	Certified Laboratory Test Report	ASTM B 117 ASTM G 152	



NOA No.: 25-0611.04  
 Expiration Date: 02/26/31  
 Approval Date: 02/26/26  
 Page 2 of 8

**APPROVED ASSEMBLIES:**

**System A:** R-Mer Shield, 22ga. Steel 16 3/4" Wide Panel  
**Deck Type:** Wood, Insulated  
**Deck Description:** New Construction 15/32" or greater plywood or wood plank.  
**Slope Range:** 2": 12" or greater  
**Maximum Uplift Pressure:** See Table A below

---

**Deck Attachment:** In accordance with applicable building code, but in no case it shall be less than 8d coated ring shank nails spaced 6" o.c. and #10 x 1-5/8" flat head screws spaced 12" o.c. into the joists. In re-roofing, where deck is less than 19/32" thick (minimum 15/32") the above attachment method must be in addition to existing attachment.

**Insulation:** Minimum 3/4" to maximum 4.0" thick of an approved polyiso insulation with current NOA having a minimum 20psi compressive strength fastened with approved fasteners and plates. Fastening density shall be in compliance with applicable Building Code and Roofing Application Standard RAS 117.

**Underlayment:** Minimum underlayment shall be an ASTM D 226 Type II installed with a minimum 4" side-lap and 6" end-laps. Underlayment shall be fastened with corrosion resistant tin-caps and 12 gauge 1 1/4" annular ring-shank nails, spaced 6" o.c. at all laps and two staggered rows 12" o.c. in the field of the roll or any Miami-Dade County Product Control Approved underlayment having a current NOA.

**Fire Barrier Board:** Any approved fire barrier having a current NOA. Refer to a current fire directory listing for fire ratings of this roofing system assembly as well as the location of the fire barrier within the assembly. See Limitation # 1.

**Valleys:** Valley construction shall be in compliance with Roofing Application Standard RAS 133 and with the Garland Company's current published installation instructions.



**Metal Panels and Accessories:**

Install the "R-Mer Shield (min. 22ga. thick 16<sup>3/4</sup>" wide steel) Roofing Panels" and accessories in compliance with The Garland Company's current, published installation instructions and details. Flashing, penetrations, valley construction and other details shall be constructed in compliance with the minimum requirements provided in Roofing Application Standards RAS 133.

Panels shall be installed with approved "R-Mer Shield Clips (Base Clip)" located at each panel rib side lap spaced at a maximum distance listed in Table A below, parallel to the roof slope. Each clip shall be fastened with three 1/4" screws of sufficient length for minimum 1/2" penetration through the structural deck.

Top rails are installed along the entire length of the panel seams. Before installing the Seam Cap, apply two rows of a "Miami Dade Approved Sealant" along the top of the top rails. Install the Seam Cap over the top rail and secure in place with a seamer.

**TABLE A  
MAXIMUM DESIGN PRESSURES**

Roof Areas	Field	Perimeter and Corner <sup>1</sup>
<b>Maximum Design Pressures</b>	<b>-146 psf</b>	<b>-206 psf</b>
<b>Maximum Clip Spacing</b>	<b>36" o.c.</b>	<b>12" o.c.</b>
1. Extrapolation shall not be allowed		



**System B:** R-Mer Shield, 22ga. Steel 16 <sup>3</sup>/<sub>4</sub>" Wide Panel  
**Deck Type:** Wood, Insulated  
**Deck Description:** New Construction <sup>15</sup>/<sub>32</sub>" or greater plywood or wood plank.  
**Slope Range:** 2": 12" or greater  
**Maximum Uplift Pressure:** See Table B below

---

**Deck Attachment:** In accordance with applicable building code, but in no case it shall be less than 8d coated ring shank nails spaced 6" o.c. and #10 x 1-5/8" flat head deck screws spaced 12" o.c. into the joists. In re-roofing, where deck is less than <sup>19</sup>/<sub>32</sub>" thick (minimum <sup>15</sup>/<sub>32</sub>") the above attachment method must be in addition to existing attachment.

**Coverboard:** Minimum <sup>1</sup>/<sub>2</sub>" thick of DensDeck fastened with approved fasteners and plates. Fastening density shall be in compliance with applicable Building Code and Roofing Application Standard RAS 117.

**Underlayment:** Minimum underlayment shall be an ASTM D 226 Type II installed with a minimum 4" side-laps and 6" end-laps. Underlayment shall be fastened with corrosion resistant tin-caps and 1 <sup>1</sup>/<sub>4</sub>" annular ring-shank nails, spaced 6" o.c. at all laps and two staggered rows 12" o.c. in the field of the roll. Or, any Miami-Dade County Product Control Approved underlayment having a current NOA.

**Fire Barrier Board:** Any approved fire barrier having a current NOA. Refer to a current fire directory listing for fire ratings of this roofing system assembly as well as the location of the fire barrier within the assembly. See Limitation # 1.

**Valleys:** Valley construction shall be in compliance with Roofing Application Standard RAS 133 and with the Garland Company's current published installation instructions.



**Metal Panels and Accessories:**

Install the "R-Mer Shield (min. 22ga. 16 3/4" wide steel) Roofing Panels" and accessories in compliance with The Garland Company's current, published installation instructions and details. Flashing, penetrations, valley construction and other details shall be constructed in compliance with the minimum requirements provided in Roofing Application Standards RAS 133.

Panels shall be installed with approved "R-Mer Shield Clips (Base Clip)" located at each panel rib side lap spaced at a maximum distance listed in Table B below, parallel to the roof slope. Each clip shall be fastened with three 1/4" screws of sufficient length for minimum 1/2" penetration through the structural deck.

Top rails are installed along the entire length of the panel seams. Before installing the Seam Cap, apply two rows of a "Miami Dade Approved Sealant" along the top of the top rails. Install the Seam Cap over the top rail and secure in place with a seamer.

**TABLE B  
MAXIMUM DESIGN PRESSURES**

<b>Roof Areas</b>	<b>Field</b>	<b>Perimeter and Corner<sup>1</sup></b>
<b>Maximum Design Pressures</b>	<b>-138.5 psf</b>	<b>-183.5 psf</b>
<b>Maximum Clip Spacing</b>	<b>36" o.c.</b>	<b>12" o.c.</b>
1. Extrapolation shall not be allowed		



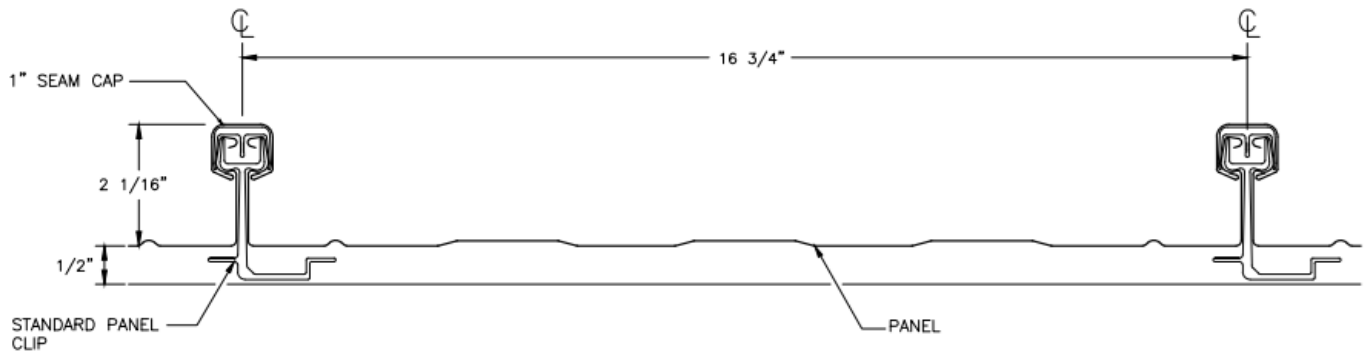
## SYSTEM LIMITATIONS

1. Fire classification is not part of this acceptance; refer to a current Approved Roofing Materials Directory for fire ratings of this product.
2. The maximum designed pressure listed herein shall be applicable to all roof pressure zones (i.e. field, perimeters, and corners). Neither rational analysis, nor extrapolation shall be permitted for enhanced fastening at enhanced pressure zones (i.e. perimeters, extended corners and corners).
3. Panels may be rolls formed in continuous lengths from eave to ridge. Maximum lengths shall be as described in Roofing Application Standard RAS 133.
4. All panels shall be permanently labeled with the manufacturer's name and/or logo, city, state, and the following statement: "Miami-Dade County Product Control Approved" **or** with the Miami-Dade County Product Control Seal as seen below. All clips shall be permanently labeled with the manufacturer's name and/or logo, and/or model.



5. All products listed herein shall have a quality assurance audit in accordance with the Florida Building Code and Rule **61G20-3** of the Florida Administrative Code.

## PROFILE DRAWING

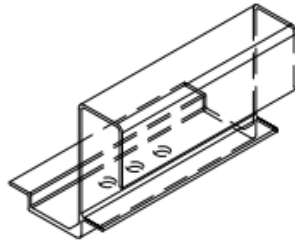


## R-MER SHIELD ROOF PANELS

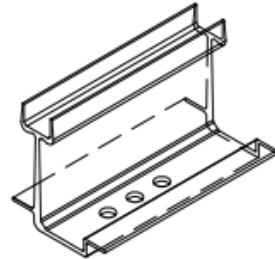


NOA No.: 25-0611.04  
Expiration Date: 02/26/31  
Approval Date: 02/26/26  
Page 7 of 8

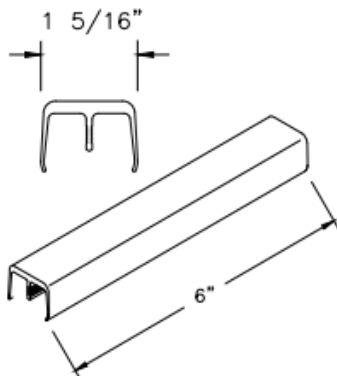
**CLIP DETAIL DRAWINGS**



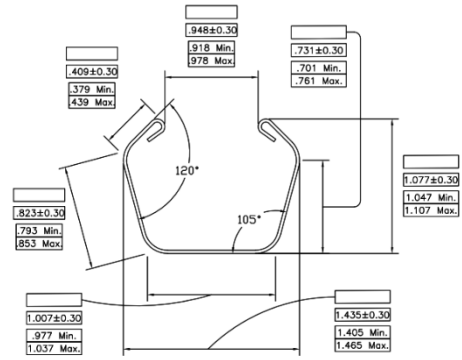
**GABLE CLIP**  
ALUMINUM



**BASE. CLIP**  
ALUMINUM



**TOP RAIL**  
ALUMINUM



**SEAM CAP**

**END OF THIS ACCEPTANCE**

