



DEPARTMENT OF REGULATORY AND ECONOMIC RESOURCES (RER)
BOARD AND CODE ADMINISTRATION DIVISION

MIAMI-DADE COUNTY
PRODUCT CONTROL SECTION

11805 SW 26 Street, Room 208
Miami, Florida 33175-2474
T (786) 315-2590 F (786) 315-2599

www.miamidade.gov/economy

NOTICE OF ACCEPTANCE (NOA)

BHP, Inc. (dba Global Power Components)
2300 S. 51st Street
Milwaukee, WI 53219

SCOPE:

This NOA is being issued under the applicable rules and regulations governing the use of construction materials. The documentation submitted has been reviewed and accepted by Miami-Dade County RER- Product Control Section to be used in Miami Dade County and other areas where allowed by the Authority Having Jurisdiction (AHJ).

This NOA shall not be valid after the expiration date stated below. The Miami-Dade County Product Control Division (In Miami Dade County) and/or the AHJ (in areas other than Miami Dade County) reserve the right to have this product or material tested for quality assurance purposes. If this product or material fails to perform in the accepted manner, the manufacturer will incur the expense of such testing and the AHJ may immediately revoke, modify, or suspend the use of such product or material within their jurisdiction. RER reserves the right to revoke this acceptance if it is determined by Miami-Dade County Product Control Section that this product or material fails to meet the requirements of the applicable building code.

This product is approved as described herein and has been designed to comply with the High Velocity Hurricane Zone of the Florida Building Code.

DESCRIPTION: (Emergency Standby Generator Enclosure) Air Handler Unit

APPROVAL DOCUMENT: Drawing No. 24-77464, titled "Generator Enclosure", sheets 1 through 13 of 13, prepared by Engineering Express, dated 10/06/2014, last revision dated 08/14/2024, signed and sealed by Frank L. Bennardo, P.E. on 07/29/2024, bearing the Miami-Dade County Product Control Renewal stamp with the Notice of Acceptance number and the expiration date by the Miami-Dade County Product Control Section.

MISSILE IMPACT RATING: Large and Small Missile Impact Resistant

LABELING: Each unit shall bear a permanent label with the manufacturer's name or logo, city, state and the following statement: "Miami-Dade County Product Control Approved", unless otherwise noted herein.

RENEWAL of this NOA shall be considered after a renewal application has been filed and there has been no change in the applicable building code negatively affecting the performance of this product.

TERMINATION of this NOA will occur after the expiration date or if there has been a revision or change in the materials, use, and/or manufacture of the product or process. Misuse of this NOA as an endorsement of any product, for sales, advertising or any other purposes shall automatically terminate this NOA. Failure to comply with any section of this NOA shall be cause for termination and removal of NOA.

ADVERTISEMENT: The NOA number preceded by the words Miami-Dade County, Florida, and followed by the expiration date may be displayed in advertising literature. If any portion of the NOA is displayed, then it shall be done in its entirety.

INSPECTION: A copy of this entire NOA shall be provided to the user by the manufacturer or its distributors and shall be available for inspection at the job site at the request of the Building Official.

This NOA **renews NOA #24-0930.07** and consists of this page 1, evidence submitted pages E-1, E-2 & E-3 as well as approval document mentioned above.

The submitted documentation was reviewed by **Helmy A. Makar, P.E., M.S.**



Helmy A. Makar
10/23/25

NOA No. 25-0924.01
Expiration Date: 12/24/2030
Approval Date: 10/23/2025
Page 1

BHP, Inc. (dba Global Power Components)

NOTICE OF ACCEPTANCE: EVIDENCE SUBMITTED

1. EVIDENCE SUBMITTED UNDER PREVIOUS APPROVAL #14-1021.06

A. DRAWINGS

1. *Drawing No. 14-1692, titled " Generator Enclosure ", sheets 1 through 13 of 13, prepared by Engineering Express, dated 10/06/2014, last revision dated 10/26/2015, signed and sealed by Frank L. Bennardo, P.E. on 11/11/2015.*

B. TESTS

1. *Test reports on 1) Uniform Static Air Pressure Test, Loading per FBC TAS 202-94
2) Large Missile Impact Test per FBC, TAS 201-94
3) Cyclic Wind Pressure Loading per FBC, TAS 203-94
along with marked-up drawings and installation diagram of Air Handling Unit, prepared by Blackwater Testing Inc., Test Report No. **BT-GPC-13-001(A)**, dated March 25, 2014, signed and sealed by Yamil Gerardo Kuri, P.E.*
2. *Test reports on 1) Uniform Static Air Pressure Test, Loading per FBC TAS 202-94
2) Large Missile Impact Test per FBC, TAS 201-94
3) Cyclic Wind Pressure Loading per FBC, TAS 203-94
along with marked-up drawings and installation diagram of Air Handling Unit, prepared by Blackwater Testing Inc., Test Report No. **BT-GPC-13-001(B)**, dated March 25, 2014, signed and sealed by Yamil Gerardo Kuri, P.E.*
3. *Test reports on 1) Uniform Static Air Pressure Test, Loading per FBC TAS 202-94
2) Large Missile Impact Test per FBC, TAS 201-94
along with marked-up drawings and installation diagram of Air Handling Unit, prepared by Blackwater Testing Inc., Test Report No. **BT-GPC-13-001(C)**, dated March 25, 2014, signed and sealed by Yamil Gerardo Kuri, P.E.*

C. CALCULATIONS


1. *Calculation prepared by Engineering Express, dated 10/01/14, sheets 1 through 43 of 43, signed & sealed Frank L. Bennardo, P.E.*
2. *Calculation prepared by Engineering Express, dated 09/15/15; sheets 1 through 7 of 7, signed & sealed Frank L. Bennardo, P.E.*

D. QUALITY ASSURANCE

1. *By Miami-Dade County Department of Regulatory and Economic Resources (RER).*

E. MATERIAL CERTIFICATIONS

1. *None.*



Helmy A. Makar, P.E., M.S.
Product Control Section Supervisor
NOA No. 25-0924.01
Expiration Date: 12/24/2030
Approval Date: 10/23/2025

BHP, Inc. (dba Global Power Components)

NOTICE OF ACCEPTANCE: EVIDENCE SUBMITTED

2. EVIDENCE SUBMITTED UNDER PREVIOUS APPROVAL #18-1217.17

A. DRAWINGS

1. *Drawing No. 14-1692, titled " Generator Enclosure ", sheets 1 through 13 of 13, prepared by Engineering Express, dated 10/06/2014, last revision dated 12/13/2018, signed and sealed by Frank L. Bennardo, P.E. on 12/13/2018.*

B. TESTS

1. *None.*

C. CALCULATIONS

1. *None.*

D. QUALITY ASSURANCE

1. *By Miami-Dade County Department of Regulatory and Economic Resources (RER).*

E. MATERIAL CERTIFICATIONS

1. *None.*

3. EVIDENCE SUBMITTED UNDER PREVIOUS APPROVAL #21-0208.01

A. DRAWINGS

1. *Drawing No. 21-35987, titled " Generator Enclosure ", sheets 1 through 13 of 13, prepared by Engineering Express, dated 10/06/2014, last revision dated 01/28/2021, signed and sealed by Frank L. Bennardo, P.E. on 02/01/2021.*

B. TESTS

1. *None.*

C. CALCULATIONS

1. *None.*

D. QUALITY ASSURANCE

1. *By Miami-Dade County Department of Regulatory and Economic Resources (RER).*

E. MATERIAL CERTIFICATIONS

1. *None.*

F. OTHERS

1. *FBC, 2020 Compliance Letter prepared by Engineering Express, dated 01/29/2021, signed and sealed by Frank L. Bennardo, P.E. on 01/29/2021.*



Helmy A. Makar, P.E., M.S.

Product Control Section Supervisor

NOA No. 25-0924.01

Expiration Date: 12/24/2030

Approval Date: 10/23/2025

BHP, Inc. (dba Global Power Components)

NOTICE OF ACCEPTANCE: EVIDENCE SUBMITTED

4. EVIDENCE SUBMITTED UNDER PREVIOUS APPROVAL #24-0930.07

A. DRAWINGS

1. *Drawing No. 24-77464, titled " Generator Enclosure ", sheets 1 through 13 of 13, prepared by Engineering Express, dated 10/06/2014, last revision dated 08/14/2024, signed and sealed by Frank L. Bennardo, P.E. on 07/29/2024.*

B. TESTS

1. *None.*

C. CALCULATIONS

1. *None.*

D. QUALITY ASSURANCE

1. *By Miami-Dade County Department of Regulatory and Economic Resources (RER).*

E. MATERIAL CERTIFICATIONS

1. *None.*

F. OTHERS

1. *FBC, 2023 Compliance Letter prepared by Engineering Express, dated 07/29/2024, signed and sealed by Frank L. Bennardo, P.E. on 09/26/2024.*

5. NEW EVIDENCE SUBMITTED

A. DRAWINGS

1. *None.*

B. TESTS

1. *None.*

C. CALCULATIONS

1. *None.*

D. QUALITY ASSURANCE

1. *By Miami-Dade County Department of Regulatory and Economic Resources.*

E. MATERIAL CERTIFICATIONS

1. *None.*

F. OTHERS

1. *FBC, 2023 Compliance Letter prepared by Engineering Express, dated 07/29/2024, signed and sealed by Frank L. Bennardo, P.E. on 09/26/2024.*


Helmy A. Makar, P.E., M.S.

Product Control Section Supervisor

NOA No. 25-0924.01

Expiration Date: 12/24/2030

Approval Date: 10/23/2025

GLOBAL POWER COMPONENTS

STEEL GENERATOR ENCLOSURE WITH ALUMINUM SKIN

FRANK BENNARDO, P.E.
PE# 0046549 CA# 9885

JULY 29, 2024

DESIGN NOTES:

THE WORK SPECIFIED HEREIN HAS BEEN DESIGNED IN ACCORDANCE WITH THE STRUCTURAL PROVISIONS OF THE HVHZ OF THE FLORIDA BUILDING CODE EIGHTH EDITION (2023) PER TAS 201/202/203. THIS ENCLOSURE IS INTENDED FOR USE WITHIN AND OUTSIDE THE HIGH VELOCITY HURRICANE ZONE. DESIGN FORCES ARE PER ASCE 7-22 USING Vult=186 MPH (3-SECOND GUST), Vasd=144 MPH, EXPOSURE 'C', Kd=0.85, Kzt=1.0, Kz=TABLE 29.3-1, EVALUATED AS AN AT GRADE (15'-0" MAX MEAN ROOF HEIGHT) ENCLOSED STRUCTURE.

ENCLOSURE PRESSURES: ASD COMPONENTS & CLADDING WIND LOADS:
WALL WIND PRESSURE:
ZONE 4: +40.93/-44.38 PSF
ZONE 5:: +40.93/-46.15 PSF

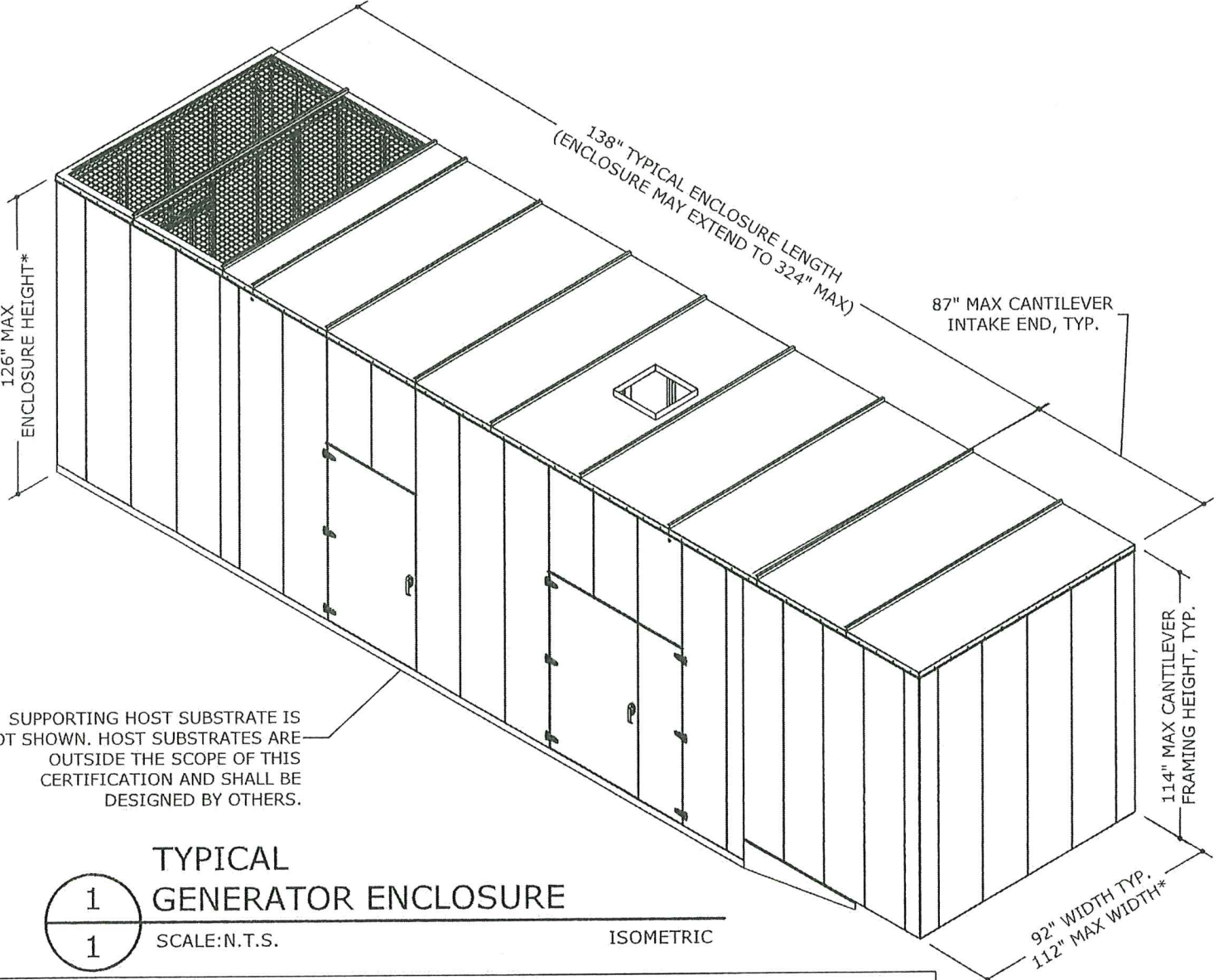
ROOF WIND PRESSURE:
ZONE 1: +17.17/-44.01 PSF
ZONE 2: +17.17/-67.27 PSF
ZONE 3: +17.17/-92.30 PSF

ROOF LIVE LOAD:
+30.00 PSF

PRODUCT RENEWED
as complying with the Florida
Building Code
Acceptance No **25-0924.01**
Expiration Date **12/24/2030**
By *Helga A. Mohr*
Miami Dade Product Control

PRODUCT REVISED
as complying with the Florida
Building Code
Acceptance No **24-0930.07**
Expiration Date **12/24/2025**
By *Helga A. Mohr*
Miami Dade Product Control

EX ENGINEERING EXPRESS
POSTAL ADDRESS:
2234 NORTH FEDERAL HWY #7664
BOCA RATON, FL 33431
ENGINEERINGEXPRESS.COM



SUPPORTING HOST SUBSTRATE IS NOT SHOWN. HOST SUBSTRATES ARE OUTSIDE THE SCOPE OF THIS CERTIFICATION AND SHALL BE DESIGNED BY OTHERS.

1 TYPICAL GENERATOR ENCLOSURE
SCALE: N.T.S. ISOMETRIC

FORCES ALONG ENCLOSURE BASE:
(TO BE UTILIZED FOR DESIGN OF SUPPORTING HOST STRUCTURE, BY OTHERS)

MAX ANCHOR POINT REACTIONS (SEE PLAN VIEW 2/3 FOR LOCATION OF ANCHOR POINTS):

- TENSION = 1414 LB/BOLT
- SHEAR = 933 LB/BOLT

TOTAL SYSTEM WEIGHT TO BE PROVIDED BY MANUFACTURER. FOR THE PURPOSE OF TIE-DOWN REACTIONS ILLUSTRATED HEREIN, A 15 PSF AVERAGE DEAD LOAD WAS USED AS AN APPROXIMATION FOR DEAD LOAD RESISTANCE AGAINST UPLIFT ONLY. THE ACTUAL WEIGHT OF THE ENCLOSURE AND IT'S MECHANICAL COMPONENTS MAY EXCEED 15 PSF AS PROVIDED BY GLOBAL POWER COMPONENTS BUT SHALL NOT BE ASSUMED TO BE LESS THAN 15 PSF. ALL SUPPORTING HOST STRUCTURES/SLAB SHALL BE CERTIFIED BY OTHERS.

*ENCLOSURE HEIGHT & WIDTH DIMENSION LIMITS:

MAX HEIGHT = 126"
MIN HEIGHT = 72"
MAX WIDTH = 112"
MIN WIDTH = 72"

RATIO OF MAX HEIGHT/WIDTH SHALL BE 1.3 MAXIMUM.

FOR EXAMPLE:

HEIGHT	WIDTH	RATIO
126"	112"	1.125
108"	96"	1.125
96"	74"	1.300

GENERAL NOTES:

- THIS SYSTEM HAS BEEN DESIGNED AND SHALL BE FABRICATED IN ACCORDANCE WITH THE STRUCTURAL PROVISIONS OF THE FLORIDA BUILDING CODE EIGHTH EDITION (2023) PER TAS 201/202/203 PER BLACKWATER TESTING, INC. REPORT #BT-GPC-13-001(A), #BT-GPC-13-001(B), #BT-GPC-13-001(C).
- THE SYSTEM DETAILED HEREIN IS GENERIC AND ONLY PROVIDES INFORMATION FOR INSTALLATIONS AT LOCATIONS THAT CONFORM TO THE DESIGN CRITERIA AS LISTED ABOVE. APPLICABILITY AND ACCEPTANCE OF THE AFOREMENTIONED DESIGN CRITERIA FOR SITE SPECIFIC INSTALLATIONS SHALL BE APPROVED BY OTHERS. FOR SITE CONDITIONS DIFFERENT FROM THE CONDITIONS DETAILED HEREIN, A LICENSED ENGINEER OR REGISTERED ARCHITECT SHALL PREPARE SITE SPECIFIC DOCUMENTS FOR USE IN CONJUNCTION WITH THIS DOCUMENT.
- THIS CERTIFICATION IS INTENDED TO CERTIFY THE STRUCTURAL CAPACITY AND INTEGRITY OF THE CERTIFICATION OF STRUCTURAL FRAMING MEMBERS, WALL AND ROOF SHEET METAL SKINS AND INTERNAL STRUCTURAL CONNECTIONS AS PER THE AFOREMENTIONED TEST REPORT. DESIGN OF THE GENERATOR ITSELF, MECHANICAL DESIGNS, ENERGY/ELECTRICAL CRITERIA, GENERATOR SLAB SUPPORT AND ALL NON-STRUCTURAL ITEMS SHALL BE BY OTHERS AND OUTSIDE THE SCOPE OF THIS CERTIFICATION. ADDITIONALLY, THE UNIT SHALL NOT BE INSTALLED IN A LOCATION SUSCEPTIBLE TO CHANNELING EFFECTS FROM UPWIND OBSTACLES.
- PERMIT HOLDER SHALL VERIFY THE ADEQUACY OF THE EXISTING SUPPORTING HOST STRUCTURE TO WITHSTAND SUPERIMPOSED LOADS.
- THE STEEL & ALUMINUM ENCLOSURE SHALL CONFORM TO THE DETAILS SHOWN HEREIN. ALL OTHER CONNECTIONS AND DETAILS NOT ILLUSTRATED IN THIS DOCUMENT SHALL CONFORM TO THE TYPICAL ASSEMBLY AS SET FORTH BY GLOBAL POWER COMPONENTS.
- THE CONTRACTOR IS RESPONSIBLE TO INSULATE MEMBERS FROM DISSIMILAR MATERIALS TO PREVENT ELECTROLYSIS.
- ALL STEEL FRAMING MEMBERS SHALL BE ASTM A653 OR ASTM 1010 STEEL WITH Fy=33KSI MIN & Fu=45KSI MIN.
- ELECTRICAL GROUND, WHEN REQUIRED, TO BE DESIGNED & INSTALLED BY OTHERS. ALL MECHANICAL, ELECTRICAL, OR LIGHTING SPECIFICATIONS SHALL BE AS PER MANUFACTURER RECOMMENDATIONS OR BUILDING OFFICIAL REQUEST AND ARE THE EXPRESS RESPONSIBILITY OF THE CONTRACTOR. MANUFACTURER IS RESPONSIBLE FOR WIND OSCILLATIONS OR HARMONIC VIBRATIONS.
- ALL FASTENERS TO BE #14 OR GREATER SAE GRADE 5 CADMIUM PLATED OR OTHERWISE CORROSION RESISTANT MATERIAL AND SHALL COMPLY WITH THE ALUMINUM ASSOCIATION, INC., & APPLICABLE FEDERAL, STATE, AND LOCAL CODES.
- FOR STEEL MEMBERS ALL ANCHORS SHALL BE SPACED WITH 3x DIAMETER MIN. SPACING TO ADJACENT ANCHORS AND 3x DIAMETER MIN. END DISTANCE. FOR ALUMINUM MEMBERS ALL ANCHORS SHALL BE SPACED WITH 2x DIAMETER END DISTANCE AND 2.5x DIAMETER MIN. SPACING TO ADJACENT ANCHORS, UNLESS NOTED OTHERWISE.
- ALL CONCRETE ANCHORS SPECIFIED HEREIN SHALL BE INSTALLED PER MANUFACTURERS RECOMMENDATIONS. ANCHORS SHALL BE INSTALLED TO UN-CRACKED CONCRETE ONLY.
- ALL EXTRUDED MEMBERS SHALL BE ALUMINUM ALLOY TYPE 6063-T5 OR BETTER. ALL ALUMINUM FORMED PANELS SHALL BE 3003-H14 MINIMUM ALUMINUM. ALL EXISTING CONCRETE SUBSTRATES SHALL HAVE A MINIMUM COMPRESSIVE STRENGTH OF 3000 PSI AS VERIFIED BY OTHERS UNLESS OTHERWISE NOTED.
- ENGINEER SEAL AFFIXED HERETO VALIDATES STRUCTURAL DESIGN AS SHOWN ONLY. USE OF THIS SPECIFICATION BY CONTRACTOR, et. al. INDEMNIFIES & SAVES HARMLESS THIS ENGINEER FOR ALL COST & DAMAGES INCLUDING LEGAL FEES & APPELLATE FEES RESULTING FROM MATERIAL FABRICATION, SYSTEM ERECTION, CONSTRUCTION PRACTICES BEYOND THAT WHICH IS CALLED FOR BY LOCAL, STATE, & FEDERAL CODES & FROM DEVIATIONS OF THIS PLAN.
- THE ROLE OF THIS ENGINEER FOR THIS PROJECT IS THAT OF SPECIALTY ENGINEER AND NOT THE ENGINEER OF RECORD. CONSEQUENTLY, THE ARCHITECT/ENGINEER OF RECORD SHALL BE RESPONSIBLE FOR THE INTEGRITY OF ALL SUPPORTING SURFACES TO THIS DESIGN WHICH SHALL BE COORDINATED BY THE PERMITTING CONTRACTOR.
- EXCEPT AS EXPRESSLY PROVIDED HEREIN, NO ADDITIONAL CERTIFICATIONS OR AFFIRMATIONS ARE INTENDED.
- ALL DIMENSIONS SHOWN HEREIN REPRESENT UNITS IN INCHES, UNLESS OTHERWISE NOTED.
- ENCLOSURES SHALL BE PERMANENTLY LABELED WITH A MINIMUM OF ONE LABEL CONTAINING THE FOLLOWING:

GLOBAL POWER COMPONENTS
6682 W. GREENFIELD AVE., STE 102
WEST ALLIS, WI 53214
414-475-3000
MIAMI-DADE COUNTY PRODUCT CONTROL APPROVED

BHP Inc. dba Global Power Components
6682 W. GREENFIELD AVE., STE. 102
WEST ALLIS, WI 53214
PH: (414) 475-3000

GENERATOR ENCLOSURE
FLORIDA BUILDING CODE EIGHTH EDITION (2023)
MIAMI-DADE COUNTY NOTICE OF ACCEPTANCE (NOA)

REMARKS	DRWN	CHKD	DATE
2020 FBC UPDATE (2-3887)	RVN	RVN	01/28/21
NOA RENEWAL & 2023 FBC UPDATE	MRT	RVN	08/14/24

COPYRIGHT ENGINEERING EXPRESS®

24-77464

SCALE: NTS UNLESS NOTED

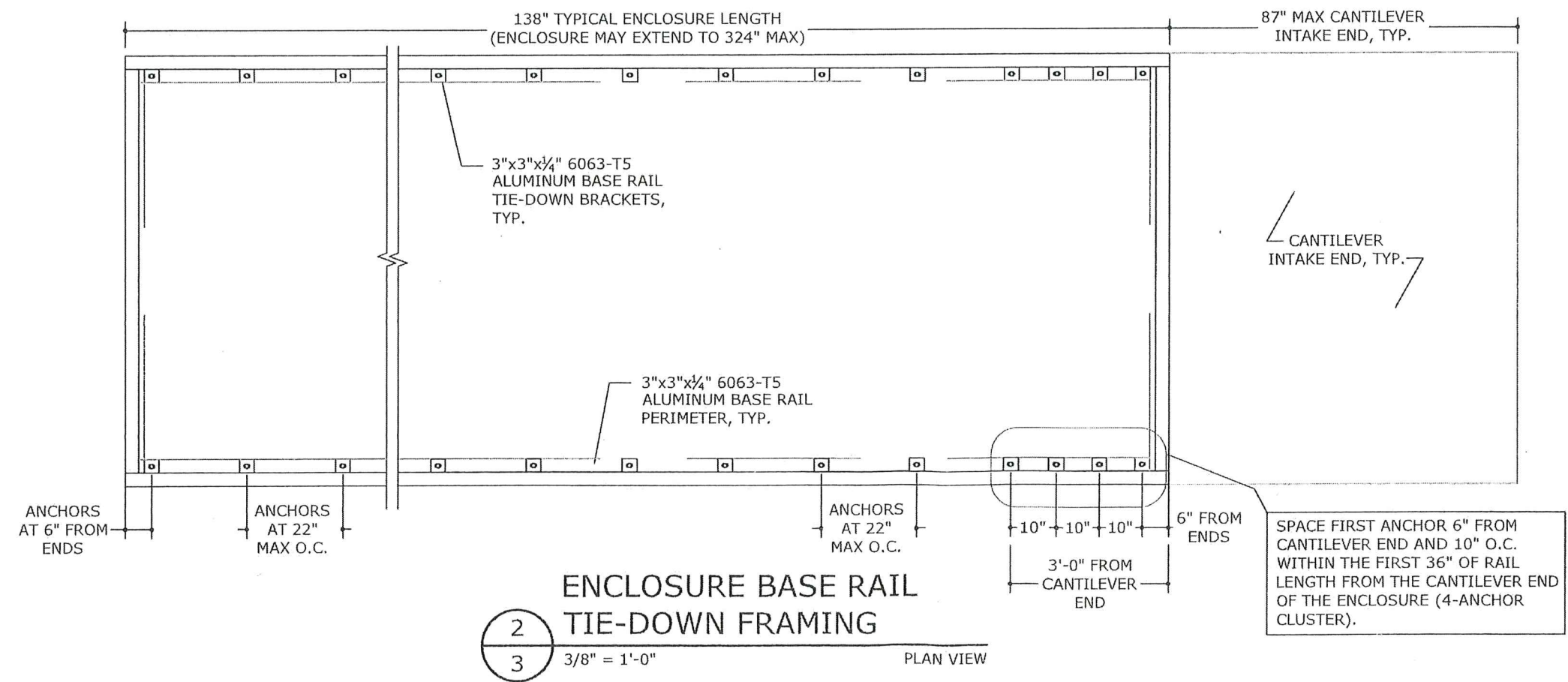
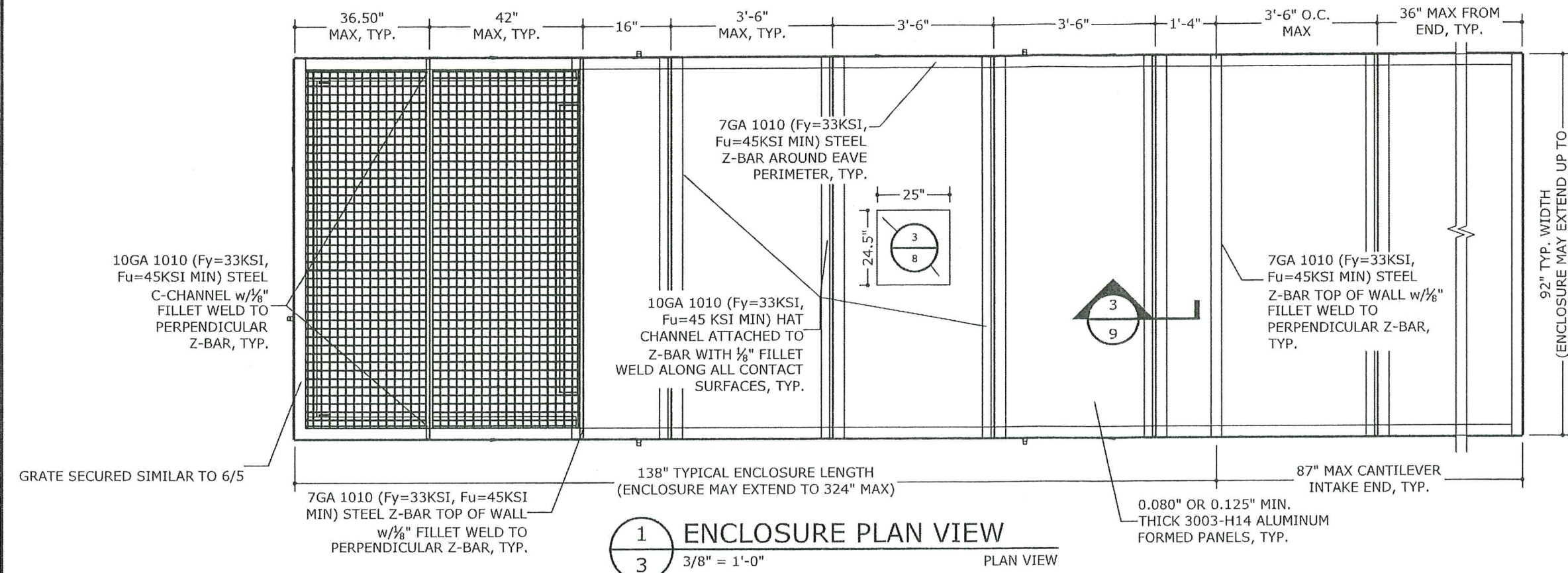
1 OF 13

c:\users\milton\engineering\express\production - documents\projects\24-124-77464 2023 noa product update 21-0208.01\work\drawings & cad\5. 24-77464a noa dwg.dwg

FRANK BENNARDO, P.E.
PE# 0046549 CA# 9885

JULY 29, 2024

FRANK L. BENNARDO
LICENSE
No PE0046549
STATE OF FLORIDA
PROFESSIONAL ENGINEER



PRODUCT RENEWED
as complying with the Florida
Building Code
Acceptance No 25-0924.01
Expiration Date 12/29/2030
By *Hely A. Miller*
Miami Data Product Control

PRODUCT REVISED
as complying with the Florida
Building Code
Acceptance No 24-0930.07
Expiration Date 12/24/2025
By *Hely A. Miller*
Miami Data Product Control

EX EXPRESS

POSTAL ADDRESS:
2234 NORTH FEDERAL HWY #7664
BOCA RATON, FL 33431
ENGINEERINGEXPRESS.COM

BHP Inc. dba Global Power Components

6682 W. GREENFIELD AVE., STE. 102
WEST ALLIS, WI 53214
PH: (414) 475-3000

GENERATOR ENCLOSURE
FLORIDA BUILDING CODE EIGHTH EDITION (2023)
MIAMI-DADE COUNTY NOTICE OF ACCEPTANCE (NOA)

REMARKS	DATE	DRWN	CHKD
2020 FCC UPDATE (21-35987)	01/28/21	RWN	RWN
NOA RENEWAL & 2023 FCC UPDATE	09/14/24	RWN	RWN

COPYRIGHT ENGINEERING EXPRESS®

24-77464

SCALE: NTS UNLESS NOTED

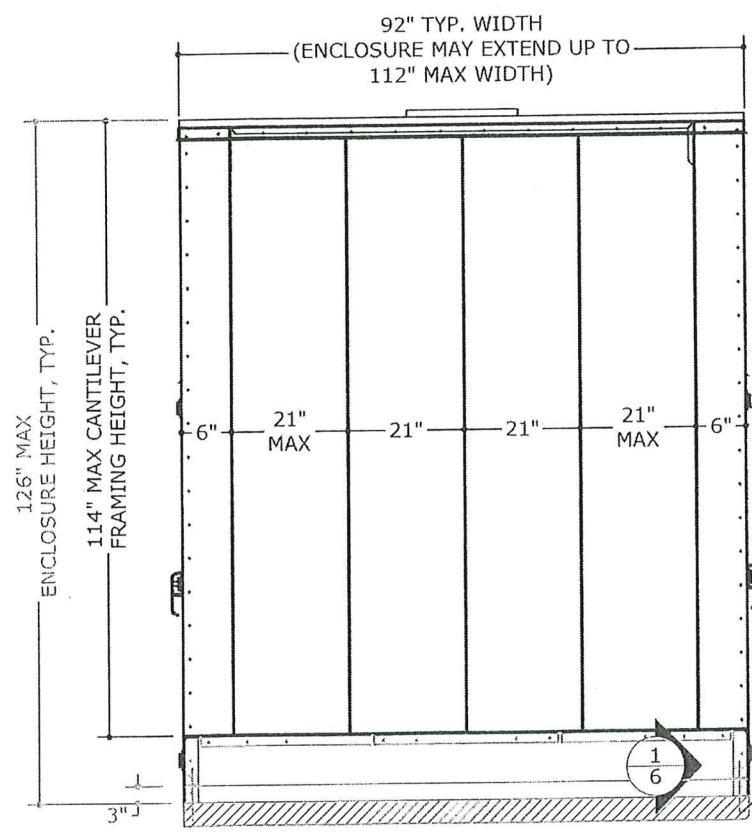
3 OF 13

c:\users\milton\engineering\express\production - documents\projects\24-124-77464 2023 noa product update 21-0208.01\work\drawings & cad\5. 24-77464a noa dwg.dwg

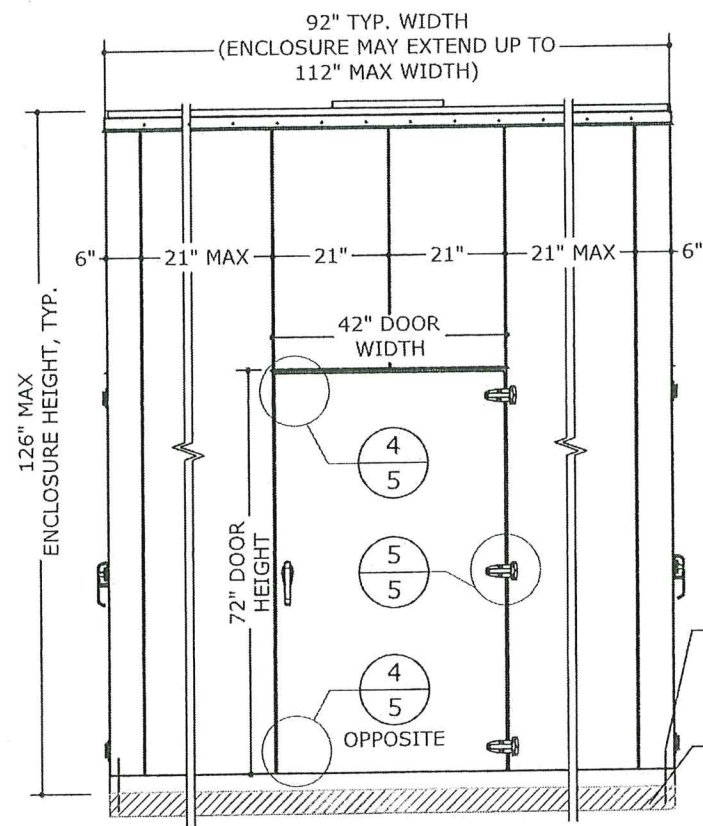
FRANK BENNARDO, P.E.
PE# 0046549 CA# 9885

JULY 29, 2024

FRANK L. BENNARDO
LICENSE
No PE0046549
STATE OF FLORIDA
PROFESSIONAL ENGINEER



1 CANTILEVER END ELEVATION
3/8" = 1'-0" ELEVATION



2 NON-CANTILEVER END ELEVATION
3/8" = 1'-0" ELEVATION

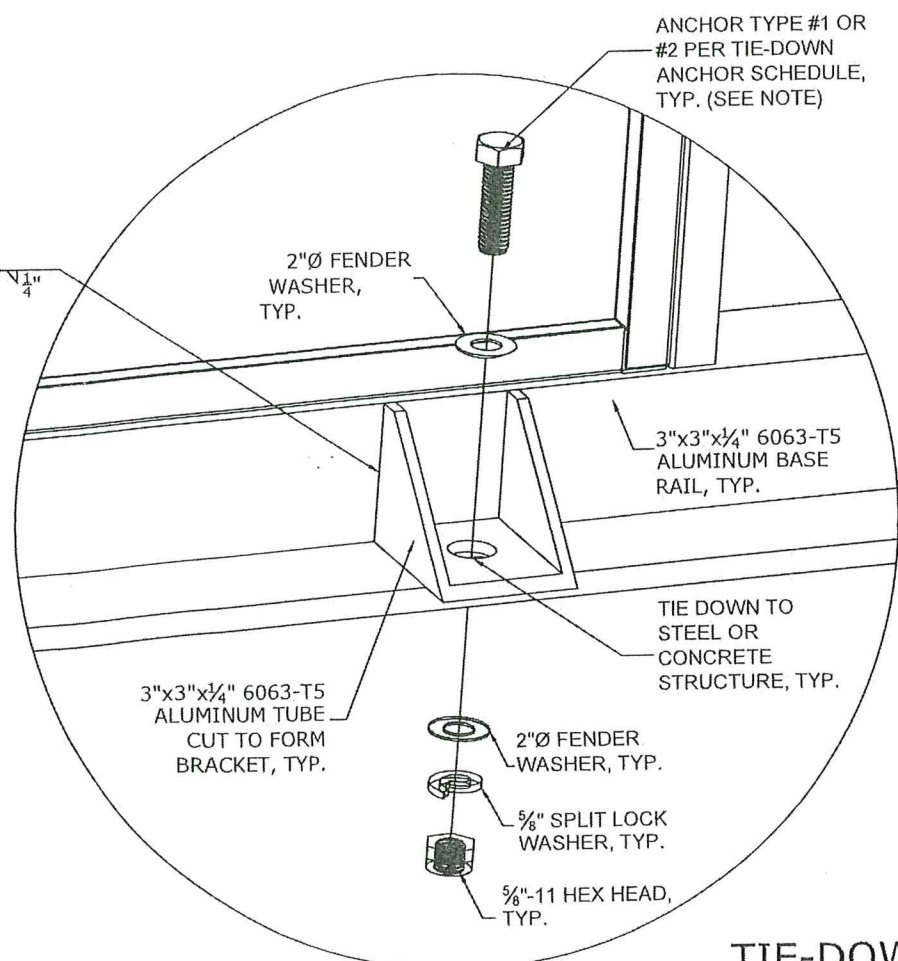
TIE-DOWN ANCHOR SCHEDULE: (SEE NOTE BELOW)

ANCHOR TYPE	DESCRIPTION	DIRECTIVE
TYPE #1 USED FOR ENCLOSURE MOUNTED TO *STEEL SUBSTRATE (BY OTHERS)	5/8"Ø-11 SAE GRADE 5 OR ASTM A325 CARBON STEEL BOLT WITH 2"Ø WASHERS AND SAE GRADE HEX NUT	FASTEN 1/4" THICK 6063-T5 ALUMINUM ENCLOSURE TO STEEL HOST (BY OTHERS) MIN 7GA ASTM 1010 STEEL WITH BOLTS AT 6" FROM ENDS AND SPACED AS SHOWN ON TIE-DOWN PLAN 2/3.
TYPE #2 USED FOR ENCLOSURE MOUNTED DIRECTLY TO CONCRETE	5/8"Ø CARBON STEEL OR GALVANIZED HILTI KWIK BOLT 3 WITH 2"Ø WASHER, 3" EMBEDMENT TO 3KSI MIN. CONCRETE, 8 1/2" EDGE DISTANCE	FASTEN 1/4" THICK 6063-T5 ALUMINUM ENCLOSURE TO 3KSI CONCRETE WITH KWIK BOLTS AT 6" FROM ENDS AND SPACED AS SHOWN ON TIE-DOWN PLAN 2/3. DO NOT SPACE ANCHOR CLOSER THAN 10" CENTER TO CENTER FROM ANY ADJACENT CONCRETE ANCHOR

* IF MOUNTED TO A STEEL CURB OR STEEL TANK, THE SUPPORTING STEEL STRUCTURE SHALL NOT EXCEED 54" IN HEIGHT IN ORDER TO COMPLY WITH THE DESIGN CRITERIA SET FORTH FOR AN AT GRADE STRUCTURE WITH 15'-0" MAX MEAN ROOF HEIGHT.

NOTE: THIS TIE-DOWN ANCHOR SCHEDULE IS FOR THE PURPOSE OF TESTING ONLY. THE ATTACHMENT OF EACH UNIT TO ANY SUBSTRATE SHALL BE ENGINEERED AND REVIEWED BY THE CORRESPONDING BUILDING DEPARTMENT FOR EACH JOB.

EXISTING HOST SUBSTRATE PER ANCHOR SCHEDULE, TYP.



3 TIE-DOWN BRACKET AND ANCHOR
4 N.T.S. ISOMETRIC

PRODUCT RENEWED
as complying with the Florida
Building Code
Acceptance No 25-0924.01
Expiration Date 12/24/2030
By *Hely A. Mahr*
Miami Date Product Control

PRODUCT REVISED
as complying with the Florida
Building Code
Acceptance No 24-0930.07
Expiration Date 12/24/2025
By *Hely A. Mahr*
Miami Date Product Control

ENGINEERING EXPRESS
POSTAL ADDRESS:
2234 NORTH FEDERAL HWY #7664
BOCA RATON, FL 33431
ENGINEERINGEXPRESS.COM

BHP Inc. dba Global Power Components
6682 W. GREENFIELD AVE., STE. 102
WEST ALLIS, WI 53214
PH: (414) 475-3000
GENERATOR ENCLOSURE
FLORIDA BUILDING CODE EIGHTH EDITION (2023)
MIAMI-DADE COUNTY NOTICE OF ACCEPTANCE (NOA)

REMARKS	DRWN	CHKD	DATE
2020 FBC UPDATE (21-35987)	R/VN	R/VN	01/28/21
NOA RENEWAL 3, 2023 FBC UPDATE	M/RT	R/VN	08/14/24

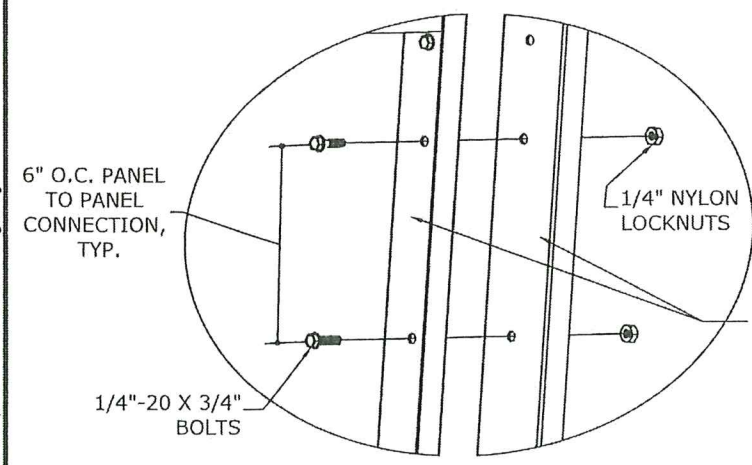
24-77464
SCALE: NTS UNLESS NOTED
4 OF 13

FRANK BENNARDO, P.E.
PE# 0046549 CA# 9885

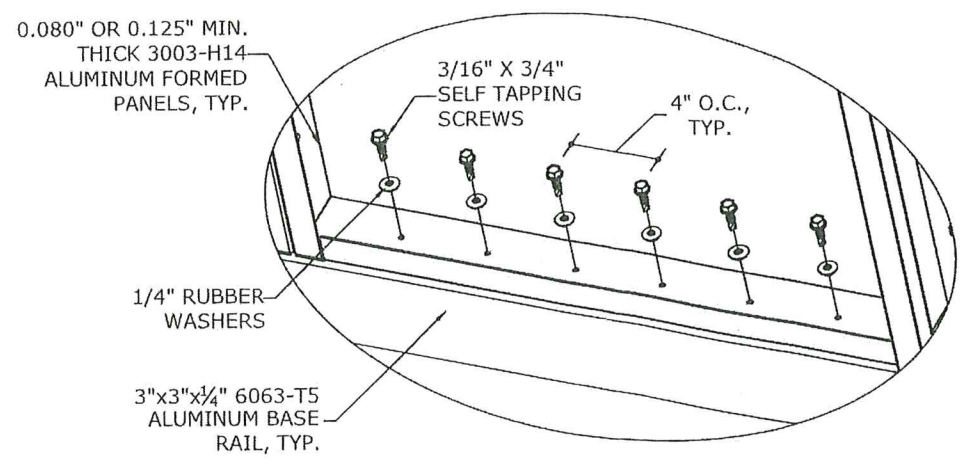
JULY 29, 2024

FRANK L. BENNARDO
LICENSE
No PE0046549
STATE OF FLORIDA
PROFESSIONAL ENGINEER

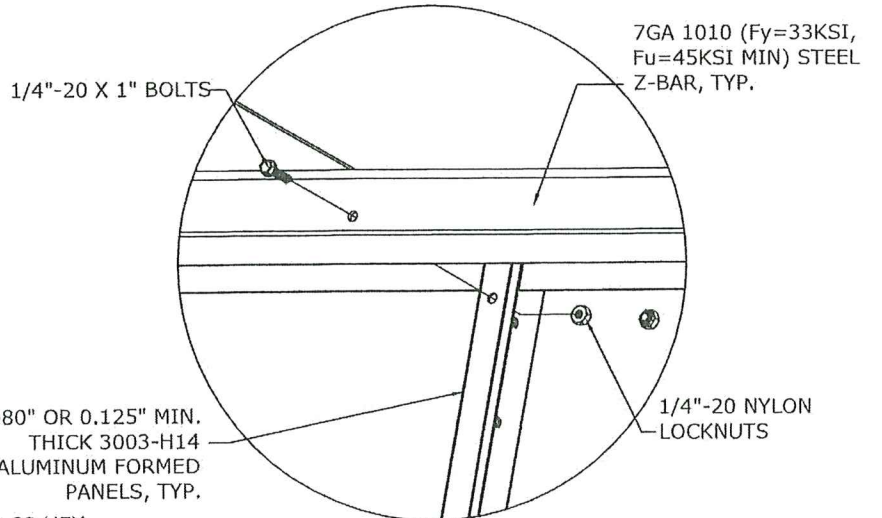
c:\users\milton\engineering\express\production - documents\projects\24-124-77464\2023 noa product update 21-0208.01\work\drawings & cad\5. 24-77464a noa dwg.dwg



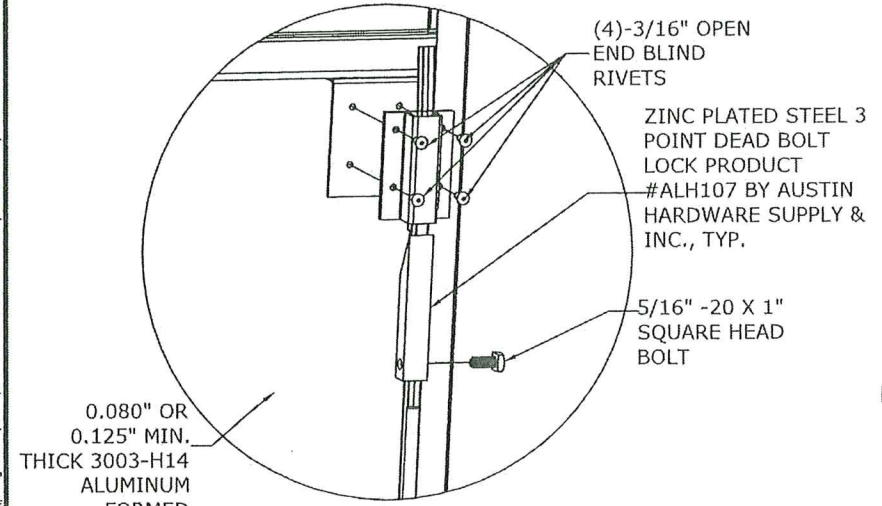
1 WALL PANEL TO WALL PANEL
5 N.T.S. ISOMETRIC



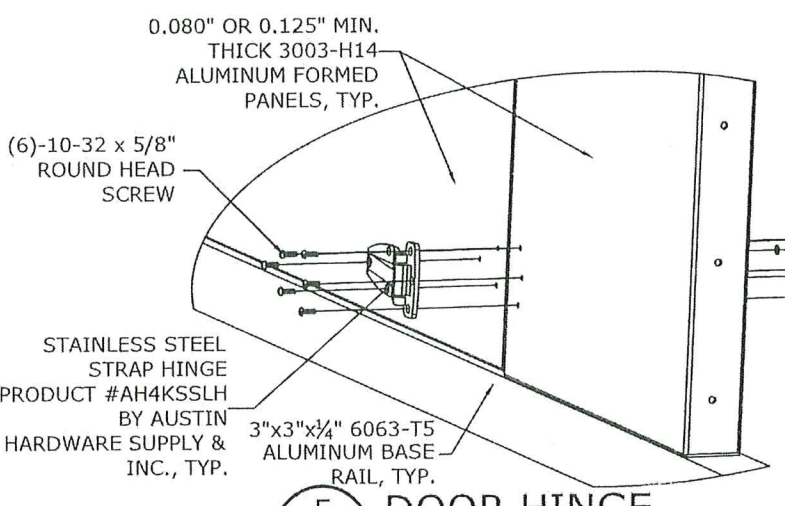
2 WALL PANEL TO BASE RAIL
5 N.T.S. ISOMETRIC



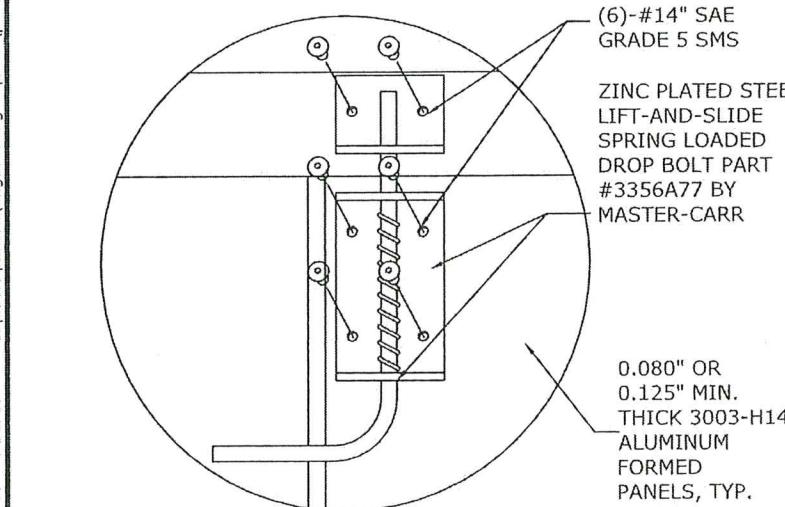
3 BRACKET TO PANEL
5 N.T.S. ISOMETRIC



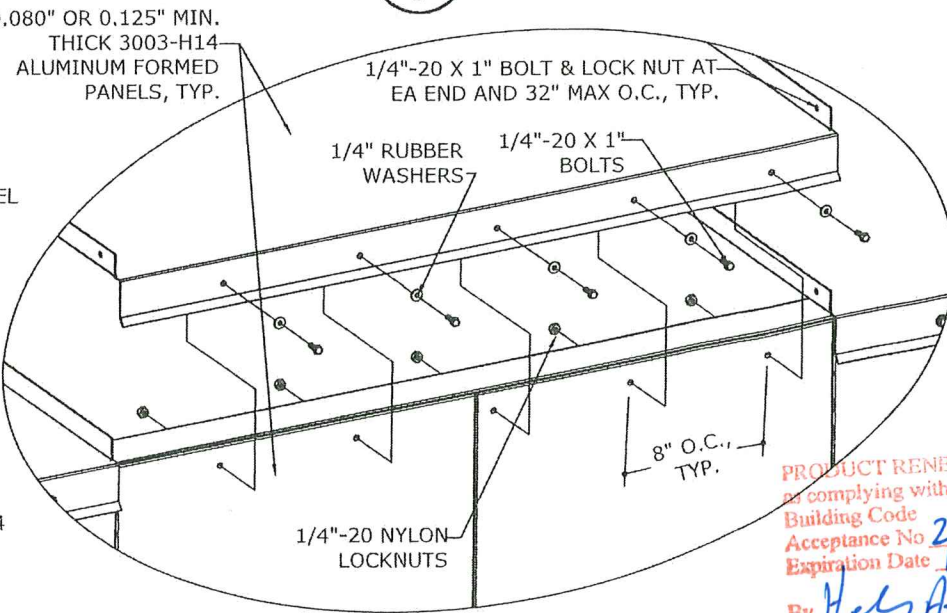
4 DOOR LATCH (TOP & BOTTOM)
5 N.T.S. INTERNAL VIEW ISOMETRIC



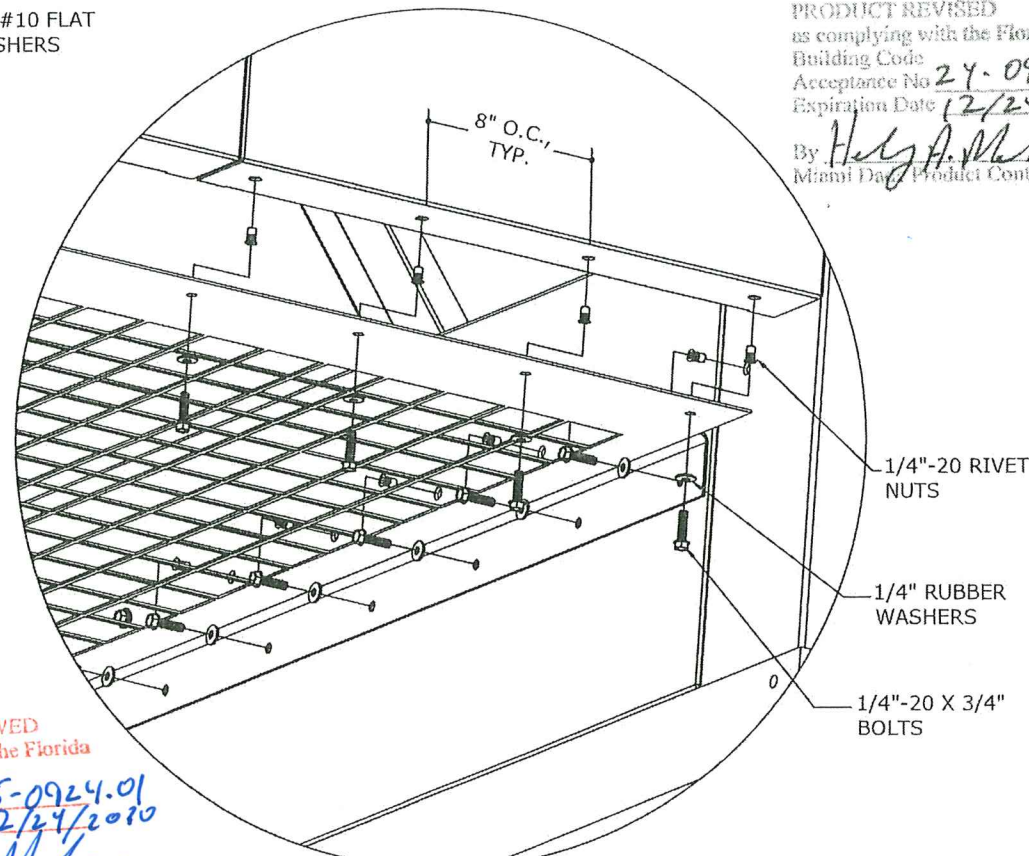
5 DOOR HINGE
5 N.T.S. ISOMETRIC



8 DOOR DROP BOLT (TOP & BOTTOM)
5 N.T.S. INTERNAL VIEW ISOMETRIC



6 ROOF TO WALL PANEL
5 N.T.S. ISOMETRIC



7 INTAKE SCREEN TO ENCLOSURE
5 N.T.S. ISOMETRIC

PRODUCT REVISED
as complying with the Florida
Building Code
Acceptance No. **24-0930.01**
Expiration Date **12/24/2025**
By *Hely A. Miller*
Miami Dade Product Control

PRODUCT RENEWED
as complying with the Florida
Building Code
Acceptance No. **25-0924.01**
Expiration Date **12/24/2010**
By *Hely A. Miller*
Miami Dade Product Control

ENGINEERING EXPRESS

POSTAL ADDRESS:
2234 NORTH FEDERAL HWY #7664
BOCA RATON, FL 33431
ENGINEERINGEXPRESS.COM

BHP Inc. dba Global Power Components

6682 W. GREENFIELD AVE., STE. 102
WEST ALLIS, WI 53214
PH: (414) 475-3000

GENERATOR ENCLOSURE
FLORIDA BUILDING CODE EIGHTH EDITION (2023)
MIAMI-DADE COUNTY NOTICE OF ACCEPTANCE (NOA)

REMARKS	DRWN	CHKD	DATE
2020 FCC UPDATE (21-35987)	RWV	101/28/21	
NOA RENEWAL 8-2023 FCC UPDATE	MRT	08/14/24	

COPYRIGHT ENGINEERING EXPRESS®

24-77464

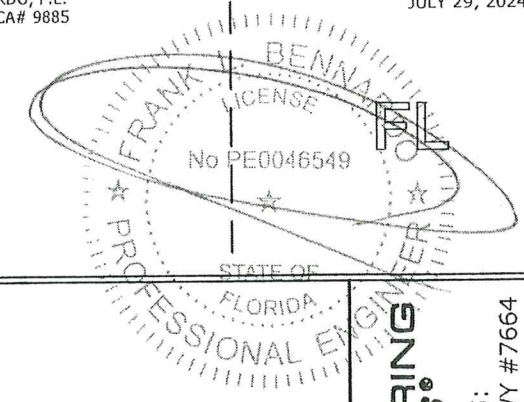
SCALE: NTS UNLESS NOTED

5 of 13

c:\users\milton\engineering\express\production - documents\projects\24-124-77464\2023 noa product update 21-0208.01\work\drawings & cad\5. 24-77464a noa dwg.dwg

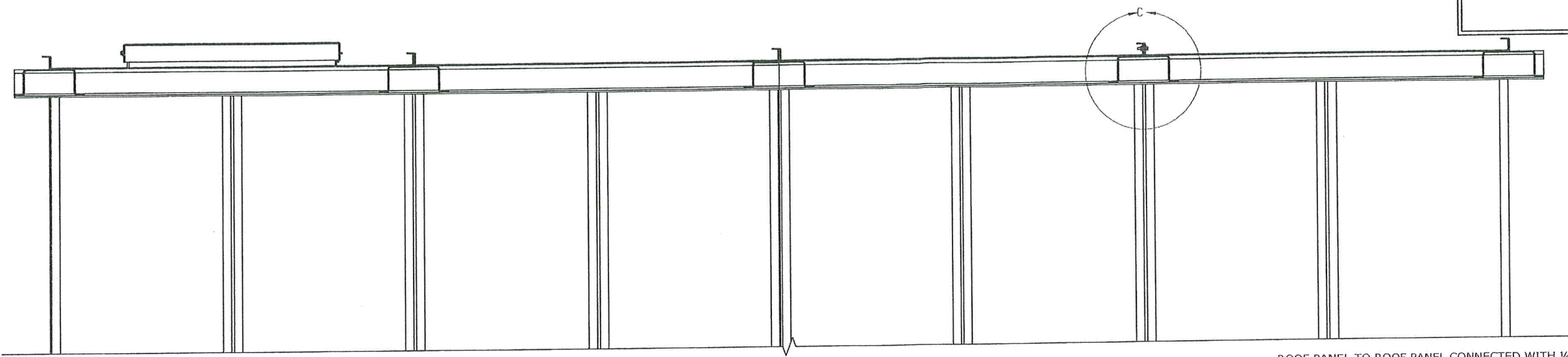
FRANK BENNARDO, P.E.
PE# 0046549 CA# 9885

JULY 29, 2024

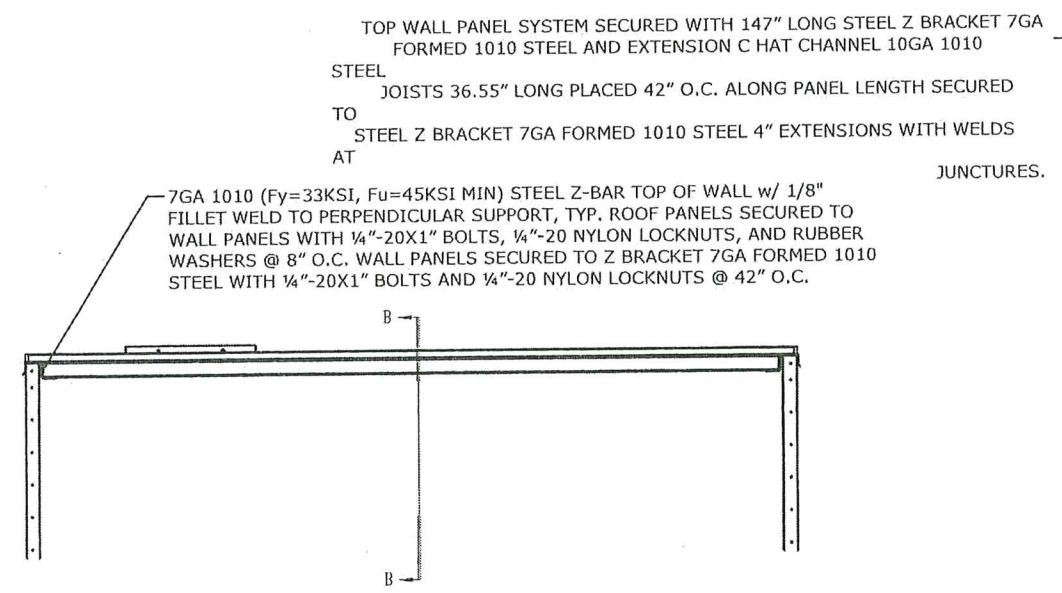


ENGINEERING EXPRESS

POSTAL ADDRESS:
2234 NORTH FEDERAL HWY #7664
BOCA RATON, FL 33431
ENGINEERINGEXPRESS.COM



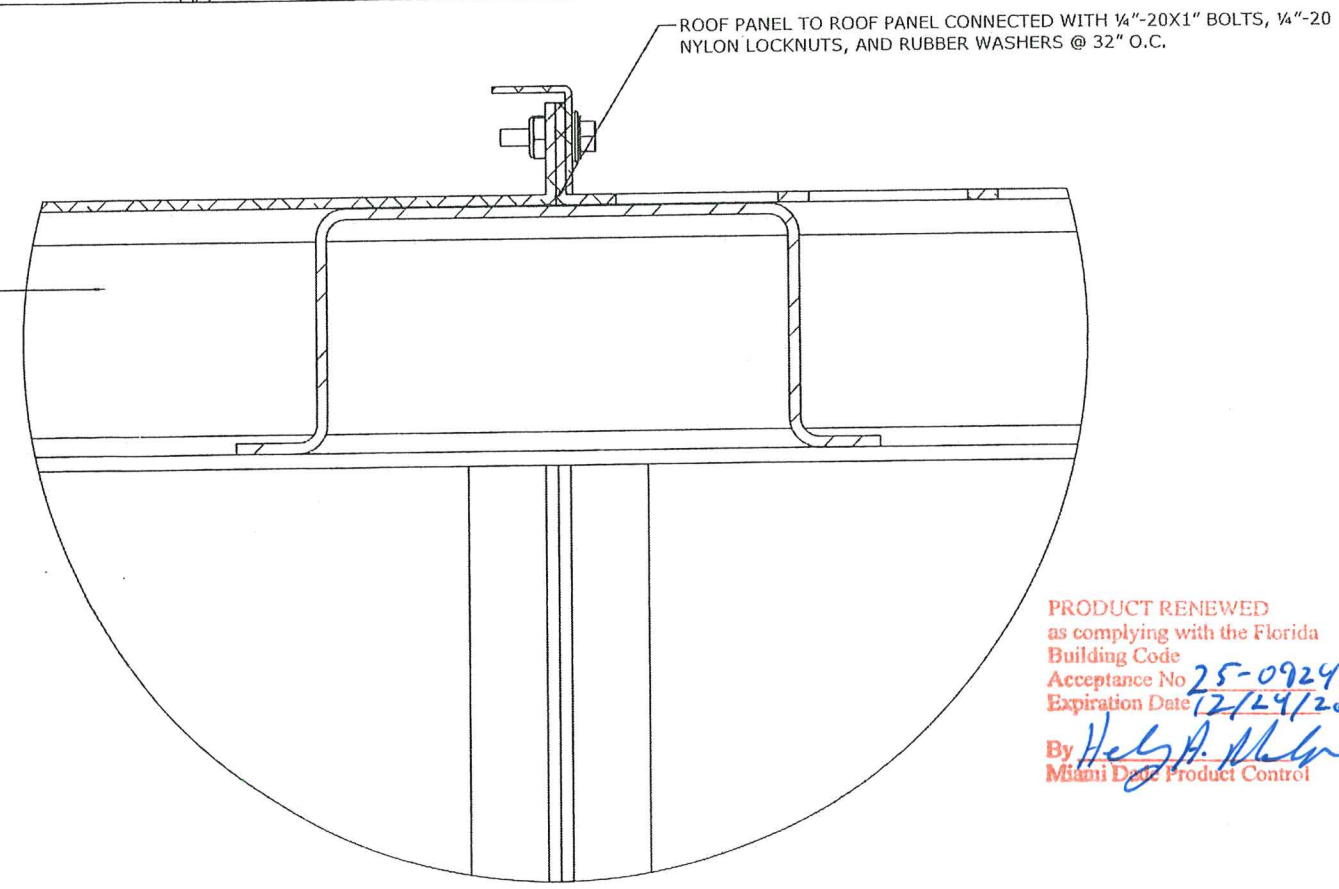
1
9 SECTION B-B WALL PANEL / ROOF SECTION



TOP WALL PANEL SYSTEM SECURED WITH 147" LONG STEEL Z BRACKET 7GA FORMED 1010 STEEL AND EXTENSION C HAT CHANNEL 10GA 1010 STEEL JOISTS 36.55" LONG PLACED 42" O.C. ALONG PANEL LENGTH SECURED TO STEEL Z BRACKET 7GA FORMED 1010 STEEL 4" EXTENSIONS WITH WELDS AT JUNCTURES.

7GA 1010 (Fy=33KSI, Fu=45KSI MIN) STEEL Z-BAR TOP OF WALL w/ 1/8" FILLET WELD TO PERPENDICULAR SUPPORT, TYP. ROOF PANELS SECURED TO WALL PANELS WITH 1/4"-20X1" BOLTS, 1/4"-20 NYLON LOCKNUTS, AND RUBBER WASHERS @ 8" O.C. WALL PANELS SECURED TO Z BRACKET 7GA FORMED 1010 STEEL WITH 1/4"-20X1" BOLTS AND 1/4"-20 NYLON LOCKNUTS @ 42" O.C.

2
9 ROOF CUTAWAY DETAIL



ROOF PANEL TO ROOF PANEL CONNECTED WITH 1/4"-20X1" BOLTS, 1/4"-20 NYLON LOCKNUTS, AND RUBBER WASHERS @ 32" O.C.

3
9 DETAIL C - ROOF SUPPORT

PRODUCT RENEWED
as complying with the Florida
Building Code
Acceptance No **25-0924-01**
Expiration Date **12/29/2030**
By *Hely A. Miller*
Miami Dade Product Control

PRODUCT REVISED
as complying with the Florida
Building Code
Acceptance No **24-0930-07**
Expiration Date **12/24/2025**
By *Hely A. Miller*
Miami Dade Product Control

BHP Inc. dba Global Power Components
6682 W. GREENFIELD AVE., STE. 102
WEST ALLIS, WI 53214
PH: (414) 475-3000
GENERATOR ENCLOSURE
FLORIDA BUILDING CODE EIGHTH EDITION (2023)
MIAMI-DADE COUNTY NOTICE OF ACCEPTANCE (NOA)

REMARKS	DRWN	CHKD	DATE
2020 FBC UPDATE (21-35887)	RWVN	RWVN	01/28/21
NOA RENEWAL & 2023 FBC UPDATE	MR	RWVN	08/14/24

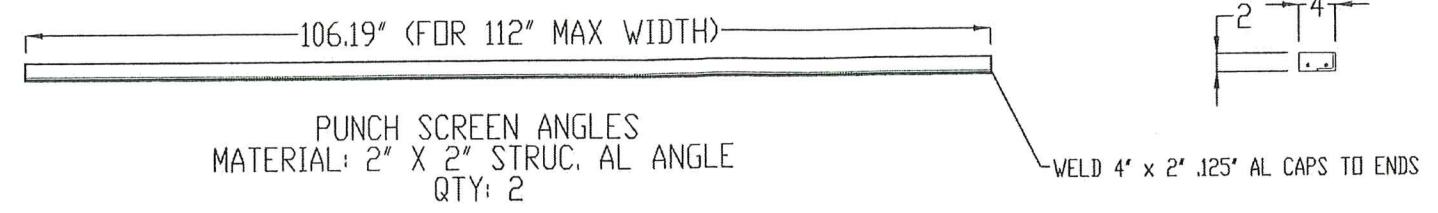
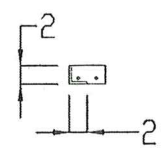
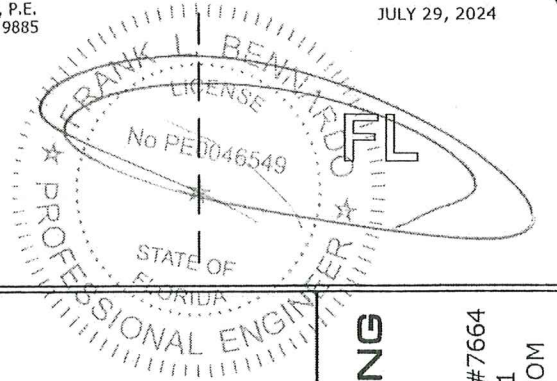
COPYRIGHT ENGINEERING EXPRESS
24-77464
SCALE: NTS UNLESS NOTED
13

c:\users\milton\engineering\express\production - documents\projects\24-24-77464 2023 noa product update 21-0208.01\work\drawings & cad\5. 24-77464a noa dwg.dwg

1/29/2024 5:03 PM MILTON

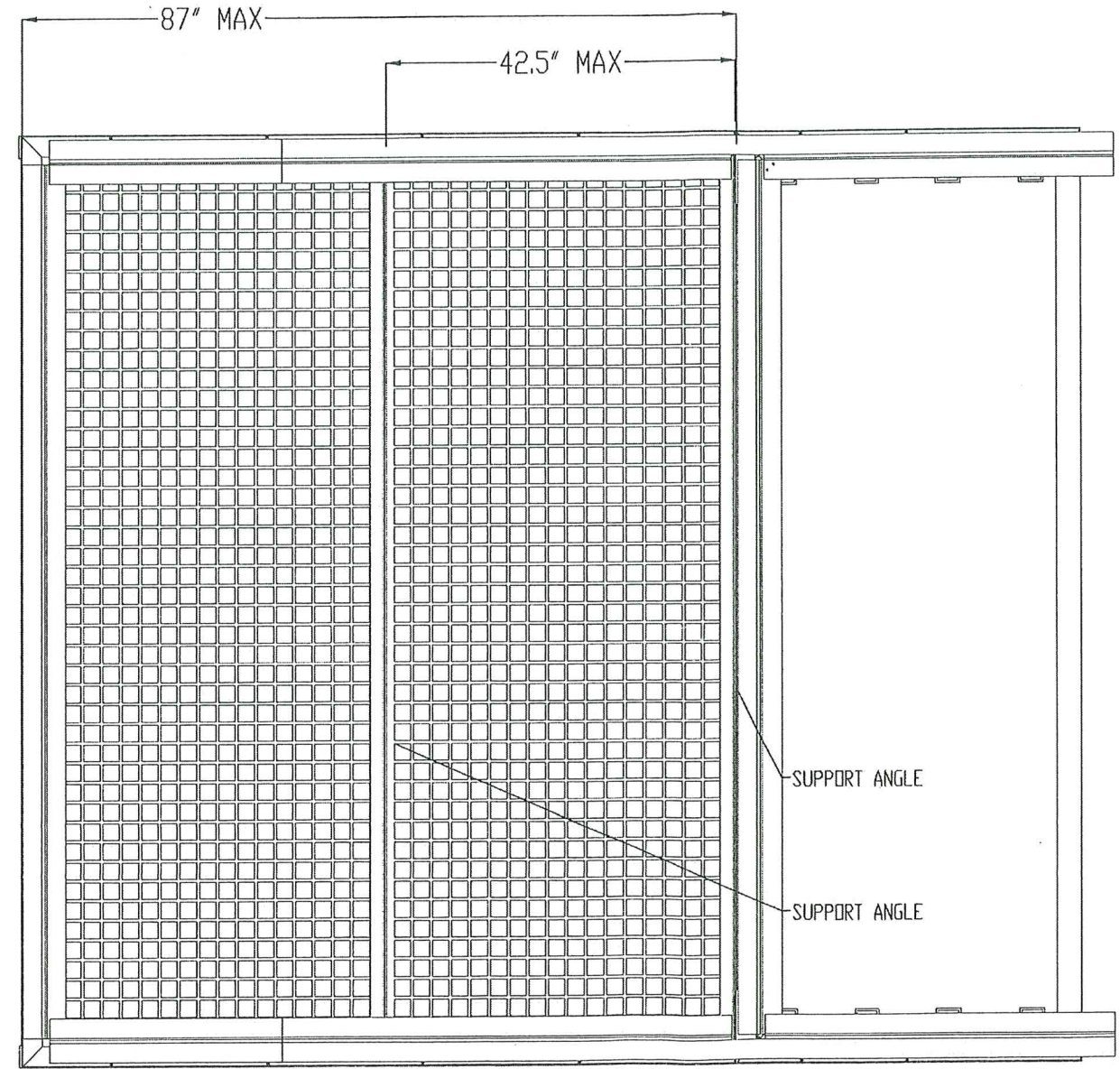
FRANK BENNARDO, P.E.
PE# 0046549 CA# 9885

JULY 29, 2024



PUNCH SCREEN ANGLES
MATERIAL: 2" X 2" STRUC. AL ANGLE
QTY: 2

WELD 4" x 2" .125" AL CAPS TO ENDS



INTERIOR VIEW OF CANTILEVER INTAKE END (FROM ABOVE)



POSTAL ADDRESS:
2234 NORTH FEDERAL HWY #7664
BOCA RATON, FL 33431
ENGINEERINGEXPRESS.COM

BHP Inc. dba Global Power Components

6682 W. GREENFIELD AVE., STE. 102
WEST ALLIS, WI 53214
PH: (414) 475-3000

GENERATOR ENCLOSURE
FLORIDA BUILDING CODE EIGHTH EDITION (2023)
MIAMI-DADE COUNTY NOTICE OF ACCEPTANCE (NOA)

PRODUCT RENEWED
as complying with the Florida
Building Code
Acceptance No 25-0924.01
Expiration Date 12/24/2030
By Helga A. Miller
Miami Dade Product Control

PRODUCT REVISED
as complying with the Florida
Building Code
Acceptance No 24-0930.07
Expiration Date 12/24/2025
By Helga A. Miller
Miami Dade Product Control

REMARKS	DRWN	CHKD	DATE
2020 FCC UPDATE (21-3987)	RWV	RWV	01/28/21
NOA RENEWAL & 2023 FCC UPDATE	MRT	RWV	08/14/24

COPYRIGHT ENGINEERING EXPRESS®

24-77464

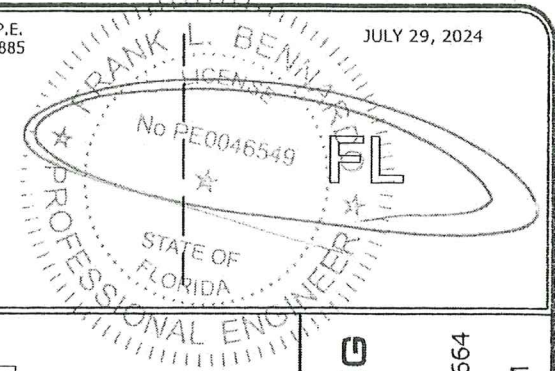
SCALE: NTS UNLESS NOTED

10 OF 13

c:\users\milton\engineering\express\production - documents\projects\24-124-77464 2023 noa product update 21-0208.01\work\drawings & cad\5. 24-77464a noa dwg.dwg

FRANK BENNARDO, P.E.
PE# 0046549 CA# 9885

JULY 29, 2024



1/4" BOLTS INTO
1/4"-20 RIVET NUT
ALONG CANTILEVER
SUPPORT (TYP)

0.080" 3003-H14 ALUM PUNCHED PANEL GRATE

1/4" SELF TAPPING
SCREW (TYP)

8 O.C.
TYP

8 O.C.
TYP

CANTILEVER INTAKE BOTTOM VIEW

1 PUNCHED PANEL SCOOP
12

PRODUCT RENEWED
as complying with the Florida
Building Code
Acceptance No 25-0924.01
Expiration Date 12/29/2030
By Hely A. Mator
Miami Date Product Control

PRODUCT REVISED
as complying with the Florida
Building Code
Acceptance No 24-0930.07
Expiration Date 12/29/2025
By Hely A. Mator
Miami Date Product Control



POSTAL ADDRESS:
2234 NORTH FEDERAL HWY #7664
BOCA RATON, FL 33431
ENGINEERINGEXPRESS.COM

BHP Inc. dba Global Power Components

6682 W. GREENFIELD AVE., STE. 102
WEST ALLIS, WI 53214
PH: (414) 475-3000

GENERATOR ENCLOSURE

FLORIDA BUILDING CODE EIGHTH EDITION (2023)
MIAMI-DADE COUNTY NOTICE OF ACCEPTANCE (NOA)

REMARKS	DRWN	CHKD	DATE
2020 FCC UPDATE (24-35987)	RWN	RWN	01/28/21
NOA RENEWAL 2023 FCC UPDATE	MRT	RWN	08/14/24

COPYRIGHT ENGINEERING EXPRESS®

24-77464

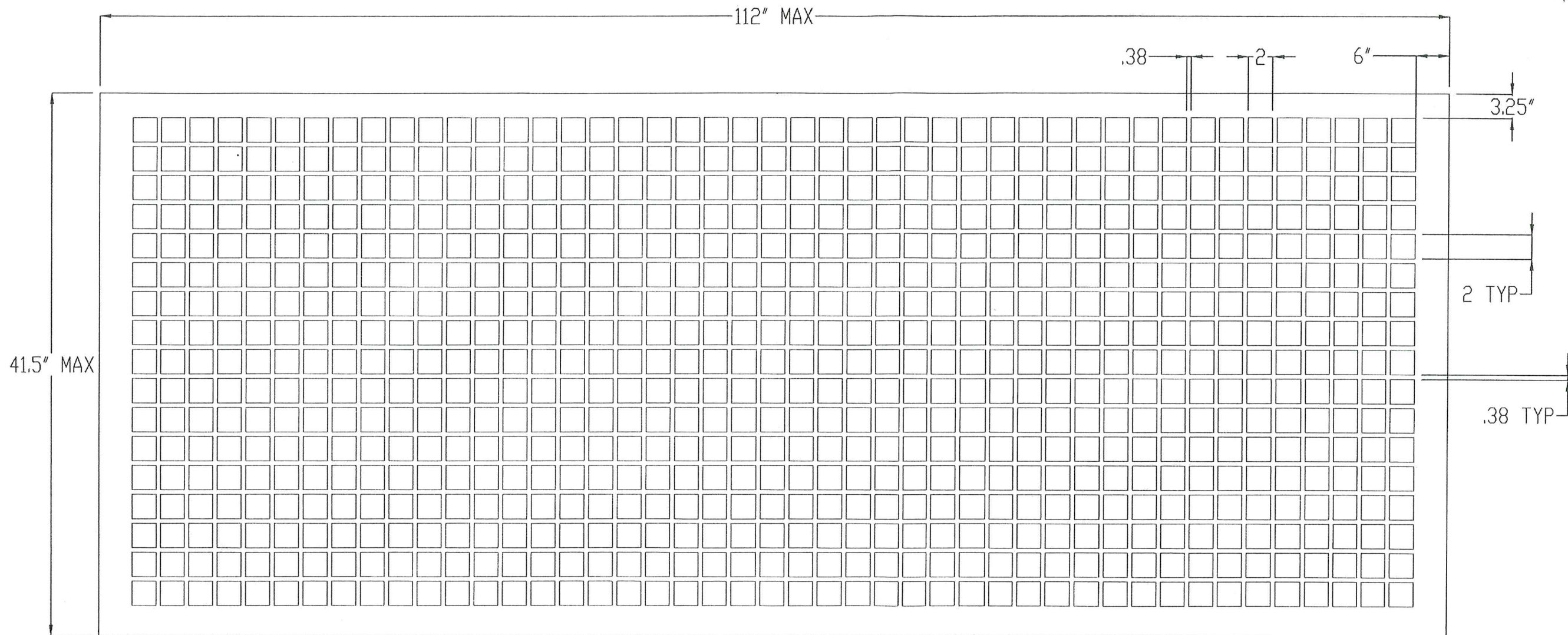
SCALE: NTS UNLESS NOTED

12 OF 13

c:\users\milton\engineering\express\production - documents\projects\24-77464 2023 noa product update 21-0208.01\work\drawings & cad\5. 24-77464a noa dwg.dwg

FRANK BENNARDO, P.E.
PE# 0046549 CA# 9885

JULY 29, 2024



SCOOP PUNCH SCREEN
MATERIAL: 0.080" AL MIN.
QTY: 2

1 PUNCHED PANEL
13

PRODUCT RENEWED
as complying with the Florida
Building Code
Acceptance No 25-0924.01
Expiration Date 12/24/2030
By Hely A. Melor
Miami Dade Product Control

PRODUCT REVISED
as complying with the Florida
Building Code
Acceptance No 24-0930.07
Expiration Date 12/24/2025
By Hely A. Melor
Miami Dade Product Control

ENGINEERING EXPRESS
POSTAL ADDRESS:
2234 NORTH FEDERAL HWY #7664
BOCA RATON, FL 33431
ENGINEERINGEXPRESS.COM

BHP Inc. dba Global Power Components
6682 W. GREENFIELD AVE., STE. 102
WEST ALLIS, WI 53214
PH: (414) 475-3000
GENERATOR ENCLOSURE
FLORIDA BUILDING CODE EIGHTH EDITION (2023)
MIAMI-DADE COUNTY NOTICE OF ACCEPTANCE (NOA)

REMARKS	DRWN	CHKD	DATE
2020 FBC UPDATE (21-35987)	RWN	RWN	01/28/21
NOA RENEWAL & 2023 FBC UPDATE	MRT	RWN	08/14/24

24-77464
SCALE: NTS UNLESS NOTED