



DEPARTMENT OF REGULATORY AND ECONOMIC RESOURCES (RER)
BOARD AND CODE ADMINISTRATION DIVISION

NOTICE OF ACCEPTANCE (NOA)

MIAMI-DADE COUNTY
PRODUCT CONTROL SECTION

11805 SW 26 Street, Room 208
Miami, Florida 33175-2474
T (786)315-2590 F (786) 315-2599

www.miamidade.gov/economy

Southeastern Metals Manufacturing Company, Inc.
2737 Ignition Dr., Suite 8
Jacksonville, FL 32218

SCOPE:

This NOA is being issued under the applicable rules and regulations governing the use of construction materials. The documentation submitted has been reviewed and accepted by Miami-Dade County RER -Product Control Section to be used in Miami Dade County and other areas where allowed by the Authority Having Jurisdiction (AHJ).

This NOA shall not be valid after the expiration date stated below. The Miami-Dade County Product Control Section (In Miami Dade County) and/or the AHJ (in areas other than Miami Dade County) reserve the right to have this product or material tested for quality assurance purposes. If this product or material fails to perform in the accepted manner, the manufacturer will incur the expense of such testing and the AHJ may immediately revoke, modify, or suspend the use of such product or material within their jurisdiction. RER reserves the right to revoke this acceptance, if it is determined by Miami-Dade County Product Control Section that this product or material fails to meet the requirements of the applicable building code.

This product is approved as described herein, and has been designed to comply with the Florida Building Code including the High Velocity Hurricane Zone of the Florida Building Code.

DESCRIPTION: WeatherVent Off Ridge Vent with Baffle, TRI-BUILT Off Ridge Vent with Baffle, and TopShield Off Ridge Vent with Baffle

LABELING: Each unit shall bear a permanent label with the manufacturer's name or logo, city, state and following statement: "Miami-Dade County Product Control Approved", unless otherwise noted herein.

RENEWAL of this NOA shall be considered after a renewal application has been filed and there has been no change in the applicable building code negatively affecting the performance of this product.

TERMINATION of this NOA will occur after the expiration date or if there has been a revision or change in the materials, use, and/or manufacture of the product or process. Misuse of this NOA as an endorsement of any product, for sales, advertising or any other purposes shall automatically terminate this NOA. Failure to comply with any section of this NOA shall be cause for termination and removal of NOA.

ADVERTISEMENT: The NOA number preceded by the words Miami-Dade County, Florida, and followed by the expiration date may be displayed in advertising literature. If any portion of the NOA is displayed, then it shall be done in its entirety.

INSPECTION: A copy of this entire NOA shall be provided to the user by the manufacturer or its distributors and shall be available for inspection at the job site at the request of the Building Official.

This NOA revises NOA# 24-0409.01 and consists of pages 1 through 3.
The submitted documentation was reviewed by Rafael Macedo.

11/27/25



NOA No.: 25-1009.01
Expiration Date: 04/15/29
Approval Date: 11/27/25
Page 1 of 3

ROOFING ASSEMBLY APPROVAL

Category: Roofing
Sub-Category: Ventilation
Material: Steel
Minimum Slope: 2:12

TRADE NAMES OF PRODUCTS MANUFACTURED OR LABELED BY APPLICANT:

<u>Manufactured by Applicant</u>	<u>Dimensions</u>	<u>Test Specifications</u>	<u>Product Description</u>
WeatherVent Off Ridge Vent with Baffle, TRI-BUILT Off Ridge Vent with Baffle, and TopShield Off Ridge Vent with Baffle	Vent : 4- 1/2" x 19" x 46" Deck Flange: 24" x 52" Thickness: 0.0217 inch.	TAS 100(A)	Galvanized metal roof vent

MANUFACTURING LOCATION

1. Jacksonville, FL

EVIDENCE SUBMITTED

<u>Test Agency</u>	<u>Test Identifier</u>	<u>Test Name/Report</u>	<u>Date</u>
PRI Asphalt Technologies, Inc.	TAS 100(A) ICC-ES AC132	786T0002 SEM-027-02-01	07/19/19 01/07/14

APPROVED APPLICATIONS:

Deck Type: Wood

Deck Description: 1⁵/₃₂" or greater plywood or wood plank

System Type A: Mechanical attachment of vent for shingle roofs

Cutout: Mark a 2-1/2" x 42" opening centered between layout lines and aligned minimum 6 inches from the ridge. Set blade to thickness of sheathing and cut opening. Brush away sawdust and debris.

Installation: Vents should be evenly spaced on the rear slope of the roof.

Center vent in opening and set it in a 1/8" thick of an approved ASTM D 4586 asphalt roofing cement. Secure vent to the roof deck with 1-1/4" galvanized ring shank roofing nails spaced approx. 8" o.c. and 1" from the outside edge of the flange. Use a minimum of 18 nails per vent. Seal all nails and vent flange with an approved ASTM D 4586 roofing cement. (See drawings herein).

Net Free Area: 105 square inches.

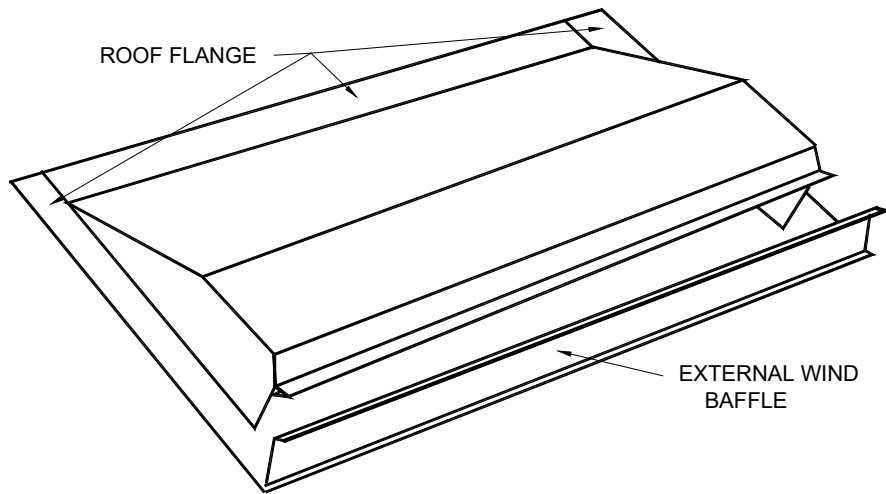


LIMITATIONS:

1. Refer to applicable building code for required ventilation.
2. WeatherVent Off Ridge Vent with Baffle, TRI-BUILT Off Ridge Vent with Baffle, and TopShield Off Ridge Vent with Baffle shall comply with the manufacturer's current published application instructions and the requirements set forth in the applicable building code.
3. This acceptance is for installations over asphaltic shingle roofs only.
4. WeatherVent Off Ridge Vent with Baffle, TRI-BUILT Off Ridge Vent with Baffle, and TopShield Off Ridge Vent with Baffle shall not be installed on roof mean heights greater than 33 feet.
5. All products listed herein shall have a quality assurance audit in accordance with the Florida Building Code and Rule 61G20-3 of the Florida Administrative Code.
6. All approved products listed herein shall be labeled and shall bear the imprint or identifiable marking of the manufacturer's name or logo, city, state, and following statement: "Miami-Dade County Product Control Approved" or the Miami-Dade County Product Control Seal as shown below:



DRAWINGS



END OF THIS ACCEPTANCE

