



**DEPARTMENT OF REGULATORY AND ECONOMIC RESOURCES (RER)  
BOARD AND CODE ADMINISTRATION DIVISION  
NOTICE OF ACCEPTANCE (NOA)**

**MIAMI-DADE COUNTY  
PRODUCT CONTROL SECTION**  
11805 SW 26 Street, Room 208  
Miami, Florida 33175-2474  
T (786) 315-2590 F (786) 315-2599  
[www.miamidade.gov/building](http://www.miamidade.gov/building)

**Clopay Corporation  
8585 Duke Blvd.  
Mason, OH 45040**

**SCOPE:** This NOA is being issued under the applicable rules and regulations governing the use of construction materials. The documentation submitted has been reviewed and accepted by Miami-Dade County RER-Product Control Section to be used in Miami Dade County and other areas where allowed by the Authority Having Jurisdiction (AHJ).

This NOA shall not be valid after the expiration date stated below. The Miami-Dade County Product Control Section (In Miami Dade County) and/or the AHJ (in areas other than Miami Dade County) reserve the right to have this product or material tested for quality assurance purposes. If this product or material fails to perform in the accepted manner, the manufacturer will incur the expense of such testing and the AHJ may immediately revoke, modify, or suspend the use of such product or material within their jurisdiction. RER reserves the right to revoke this acceptance, if it is determined by Miami-Dade County Product Control Section that this product or material fails to meet the requirements of the applicable building code.

This product is approved as described herein and has been designed to comply with the Florida Building Code, including the High Velocity Hurricane Zone.

**DESCRIPTION: Steel Rolling Door up to 20ft-5in Wide (80 FPS Impact)**

**APPROVAL DOCUMENT:** Drawing No. **ES-16-131-CLO**, titled “20’-5” Wide 65 PSF 80 FPS Non-Insulated Rolling Steel Door”, sheets 1 through 7 of 7, dated 01/18/2026, prepared by manufacturer, signed and sealed by Shawn P. Kelley, P.E., bearing the Miami-Dade County Product Control approval stamp with the Notice of Acceptance number and expiration date by the Miami-Dade County Product Control Section.

**MISSILE IMPACT RATING: Large and Small Missile Impact Resistant**

**LABELING:** Each unit shall bear a permanent label with the manufacturer’s name or logo, manufacturing address, model number, the positive and negative design pressure rating, indicate impact rated if applicable, installation instruction drawing reference number, approval number (NOA), the applicable test standards, and the statement reading ‘Miami-Dade County Product Control Approved’ is to be located on the door’s side track, bottom angle, or inner surface of a panel.

**RENEWAL** of this NOA shall be considered after a renewal application has been filed and there has been no change in the applicable building code negatively affecting the performance of this product.

**TERMINATION** of this NOA will occur after the expiration date or if there has been a revision or change in the materials, use, and/or manufacture of the product or process. Misuse of this NOA as an endorsement of any product, for sales, advertising or any other purposes shall automatically terminate this NOA. Failure to comply with any section of this NOA shall be cause for termination and removal of NOA.

**ADVERTISEMENT:** The NOA number preceded by the words Miami-Dade County, Florida, and followed by the expiration date may be displayed in advertising literature. If any portion of the NOA is displayed, then it shall be done in its entirety.

**INSPECTION:** A copy of this entire NOA shall be provided to the user by the manufacturer or its distributors and shall be available for inspection at the job site at the request of the Building Official.

This NOA consists of this page 1 and evidence page E-1, as well as approval document mentioned above. The submitted documentation was reviewed by **Carlos M. Utrera, P.E.**



  
04/02/26

**NOA No. 25-1022.05**  
**Expiration Date: April 9, 2031**  
**Approval Date: April 9, 2026**  
Page 1

**NOTICE OF ACCEPTANCE: EVIDENCE SUBMITTED**

**A. DRAWINGS**

1. Drawing No. **ES-16-131-CLO**, titled “20’-5” Wide 65 PSF 80 FPS Non-Insulated Rolling Steel Door”, sheets 1 through 7 of 7, dated 01/18/2026, prepared by manufacturer, signed and sealed by Shawn Patrick Kelley, P.E.

**B. TESTS**

1. Test reports on: 1) Uniform Static Air Pressure Test, Loading per FBC, TAS 202-94  
2) Large Missile Impact Test per FBC, TAS 201-94  
3) Cyclic Wind Pressure Loading per FBC, TAS 203-94  
4) Forced Entry Test, per FBC, TAS 202-94  
along with marked-up drawings and installation diagram of a 0.0236 and 0.0296 Gauge Non-Non-Insulated Rolling Garage Door 20’-4” wide x 10’ high, prepared by Intertek, Test Report No. **Q9397.02-109-18**, dated 05/28/2025, signed and sealed by Tanya A. Dolby, P.E.

**C. CALCULATIONS**

1. Calculations prepared by Moment Engineering+ Design, LLC, dated 05/22/2025, signed and sealed by Shawn P. Kelley, P.E.

**D. QUALITY ASSURANCE**

1. Miami-Dade Department of Regulatory and Economic Resources (RER).

**E. MATERIAL CERTIFICATIONS**

1. Test report on Salt Spray Performance per ASTM B117-19 of G90 unpainted and G40 painted samples, prepared by Intertek, Test Report No. **M6278.01-106-18 R0**, dated 12/13/2021, signed and sealed by Vinu J. Abraham, P.E.
2. Test report on Tensile Strength per ASTM E8-24 of sheet metal samples, prepared by Intertek, Test Report No. **S3387.01-106-18 R1**, dated 04/01/2025, signed and sealed by Tanya A. Dolby, P.E.

**F. STATEMENTS**

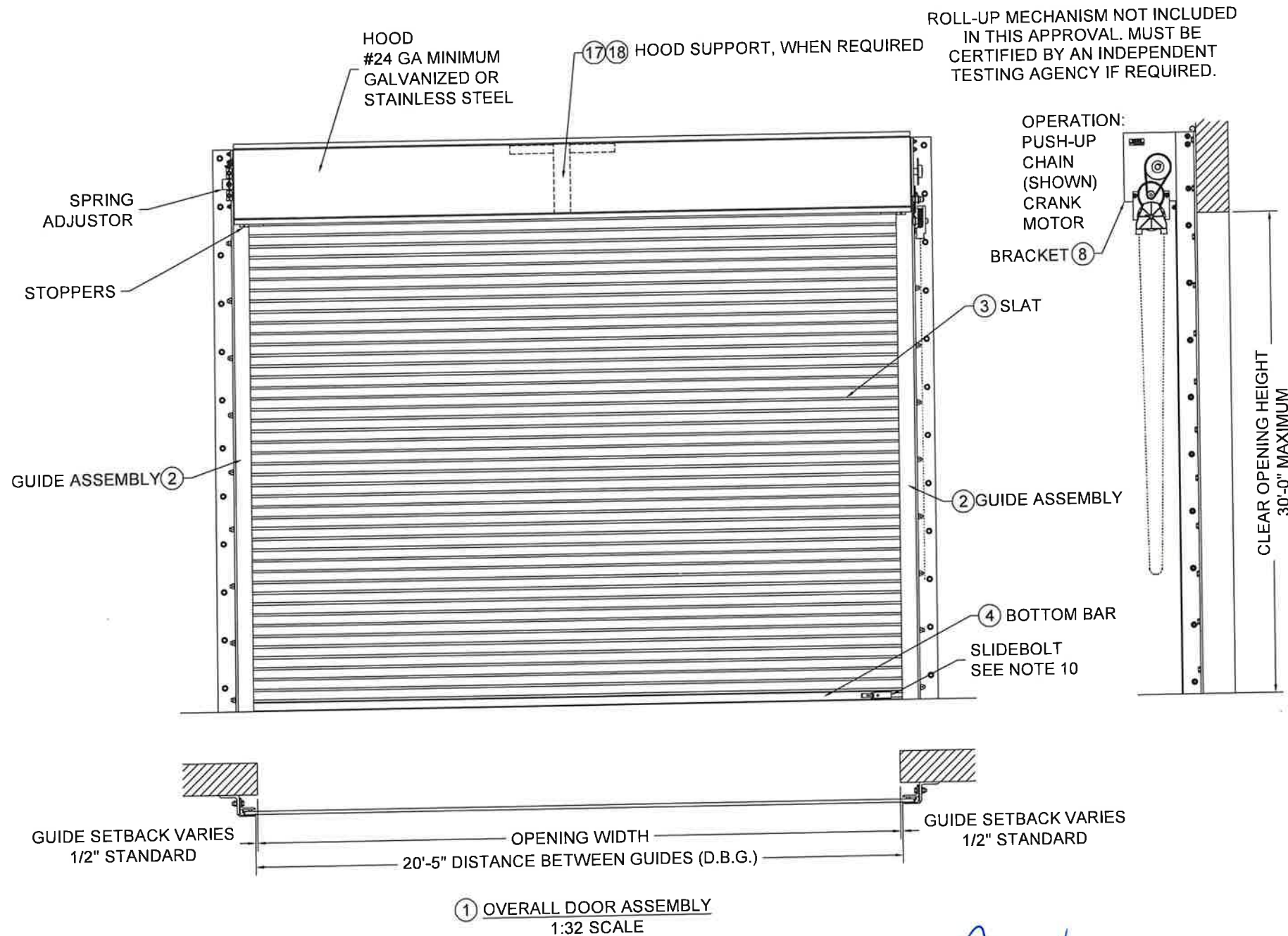
1. Statement letter of code conformance with the 8<sup>th</sup> edition (2023) of the FBC, and of no financial interest, issued by Moment Engineering+ Design, LLC, dated 06/11/2025, signed and sealed by Shawn P. Kelley, P.E.



---

**Carlos M. Utrera, P.E.**  
**Product Control Examiner**  
**NOA No. 25-1022.05**  
**Expiration Date: April 9, 2031**  
**Approval Date: April 9, 2026**

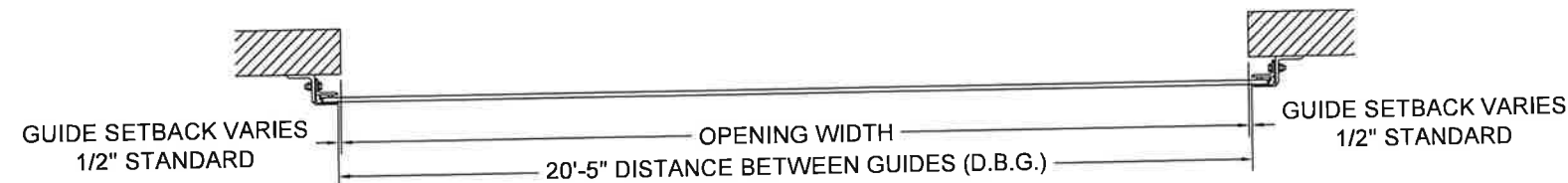
L'TR	REVISION	DATE	BY	E.C.O.
*	ORIGINAL ISSUE	11/12/2025	KAD	2398



ROLL-UP MECHANISM NOT INCLUDED IN THIS APPROVAL. MUST BE CERTIFIED BY AN INDEPENDENT TESTING AGENCY IF REQUIRED.

NOTES:

- THIS ROLL-UP DOOR SYSTEM IS DESIGNED IN ACCORDANCE WITH THE FLORIDA BUILDING CODE, AS A LARGE MISSILE IMPACT RESISTANT SYSTEM.
- POSITIVE AND NEGATIVE DESIGN PRESSURE CALCULATIONS SHALL BE PERFORMED FOR SPECIFIC JOBS IN ACCORDANCE WITH ASCE 7 *MINIMUM DESIGN LOADS FOR BUILDINGS AND OTHER STRUCTURES*. WIND LOADS DETERMINED FOR OPENINGS SHALL BE LESS THAN OR EQUAL TO DOOR DESIGN PRESSURES NOTED BELOW.  
POSITIVE DESIGN LOAD = 65 PSF  
NEGATIVE DESIGN LOAD = 65 PSF
- THE DETAILS AND SPECIFICATIONS SHOWN HEREIN REPRESENT THE PRODUCTS TESTED FOR UNIFORM STATIC AIR PRESSURE IN CONFORMANCE WITH DADE COUNTY PROTOCOLS TAS 201, 202 AND 203.
- TESTING PERFORMED BY INTERTEK (YORK, PENNSYLVANIA) TEST REPORT No. q9397.02-109-18.
- SUPERIMPOSED LOADS ON THE JAMBS FROM THIS DOOR ARE DESIGNATED AS F1, F2, AND F3 HEREIN. CONTRACTORS SHALL HAVE FLORIDA REGISTERED PROFESSIONAL ENGINEER VERIFY ADEQUACY OF BUILDING STRUCTURE TO RESIST SUPERIMPOSED LOAD F1, F2, AND F3.
- ALL WELDING SHALL BE PERFORMED BY QUALIFIED WELDERS IN ACCORDANCE WITH AWS SPECIFICATIONS, LATEST EDITION. ALL WELDING ELECTRODES SHALL CONFORM TO AWS A5.1, GRADE E-70. MINIMUM WELDING PROCESS SHALL BE ARC WELDING AWS E7014 OR MIG WELDING AWS ER70S-6.
- ANCHOR NOTES:  
A. EMBEDMENT DEPTH DOES NOT INCLUDE STUCCO FINISH.  
B. ANCHORS SHALL BE INSTALLED IN ACCORDANCE WITH MANUFACTURERS SPECIFICATIONS.
- DOOR MAY BE INSTALLED ON THE INSIDE OR OUTSIDE OF AN EXTERIOR WALL.
- A 33% INCREASE IN ALLOWABLE STRESS HAS NOT BEEN USED IN THE DESIGN OF THIS PRODUCT.
- SLIDE BOLTS ARE NOT REQUIRED FOR WINDLOAD RESISTANCE. SLIDE BOLTS ARE ONLY REQUIRED ON PUSH UP OPERATED UNITS FOR FORCED ENTRY RESISTANCE. LOCKING IS TO BE PROVIDED BY OTHERS OR AS CYLINDER LOCKS BY CLOPAY.
- ENDLOCK/WINDLOCKS AND WINDLOCKS ARE SECURED TO EACH END OF ALTERNATING SLATS WITH (3) 1/4" RIVETS PER END RESULTING IN CONTINUOUS SLAT WINDLOCK SUPPORT
- GUIDE ASSMBLY AND BOTTOM BAR ARE TO BE PROTECTED FROM CORROSION WITH POLYESTER POWDER COATING WHEN NOT MINIMUM G90 GALVANIZED STEEL OR STAINLESS STEEL OR ALUMINUM.



① OVERALL DOOR ASSEMBLY  
1:32 SCALE

**PRODUCT APPROVED**  
as complying with the Florida  
Building Code

NOA-No. 25-1022.05

Approval Date 04/09/2026

By *[Signature]*  
Miami-Dade Product Control



**Clopay**

CLOPAY CORPORATION  
8585 DUKE BOULEVARD  
MASON, OH 45040

P: 800.225.6729  
F: 513.440.4853

Unless otherwise specified,  
dimensions are in inches &  
tolerances are:

0.000 = +/- 0.031  
FRACTIONAL = +/- 1/32  
ANGLES = +/- 1/2 DEG

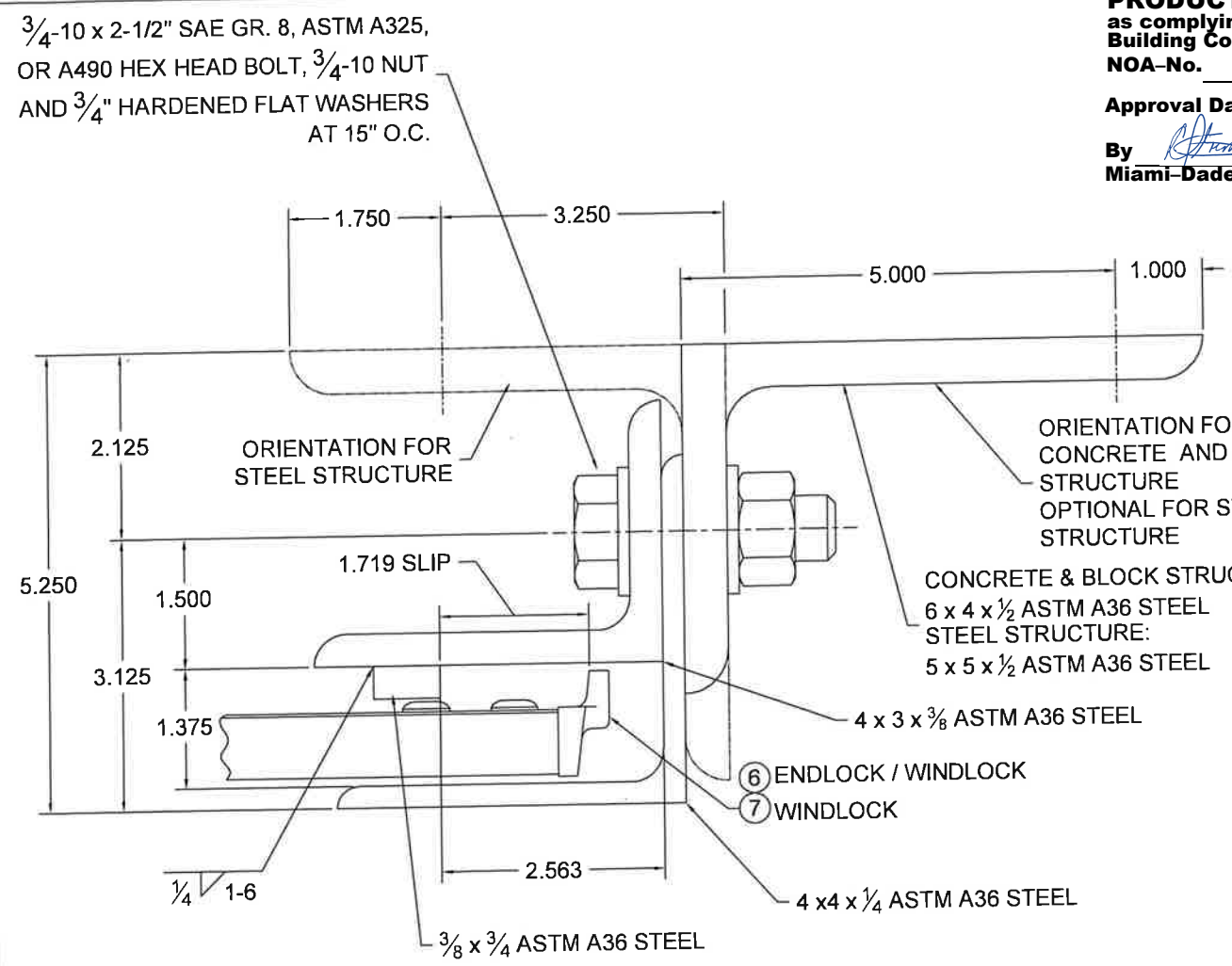
TITLE: MIAMI DADE COUNTY APPROVED  
20'-5" WIDE 65 PSF 80 FPS  
NON-INSULATED ROLLING STEEL DOOR

DRAWN BY: <b>KAD</b>	SIZE: <b>B</b>	SCALE: <b>AS NOTED</b>	SHEET: <b>1/7</b>
-------------------------	-------------------	---------------------------	----------------------

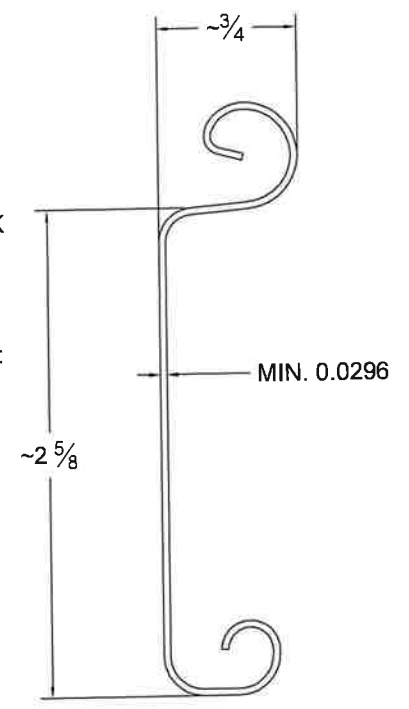
DWG NO: **ES-16-131-CLO**

**PRODUCT APPROVED**  
 as complying with the Florida  
 Building Code  
 NOA-No. 25-1022.05  
 Approval Date 04/09/2026  
 By *[Signature]*  
 Miami-Dade Product Control

L'TR	REVISION	DATE	BY	E.C.O.
*	ORIGINAL ISSUE	11/12/2025	KAD	2398

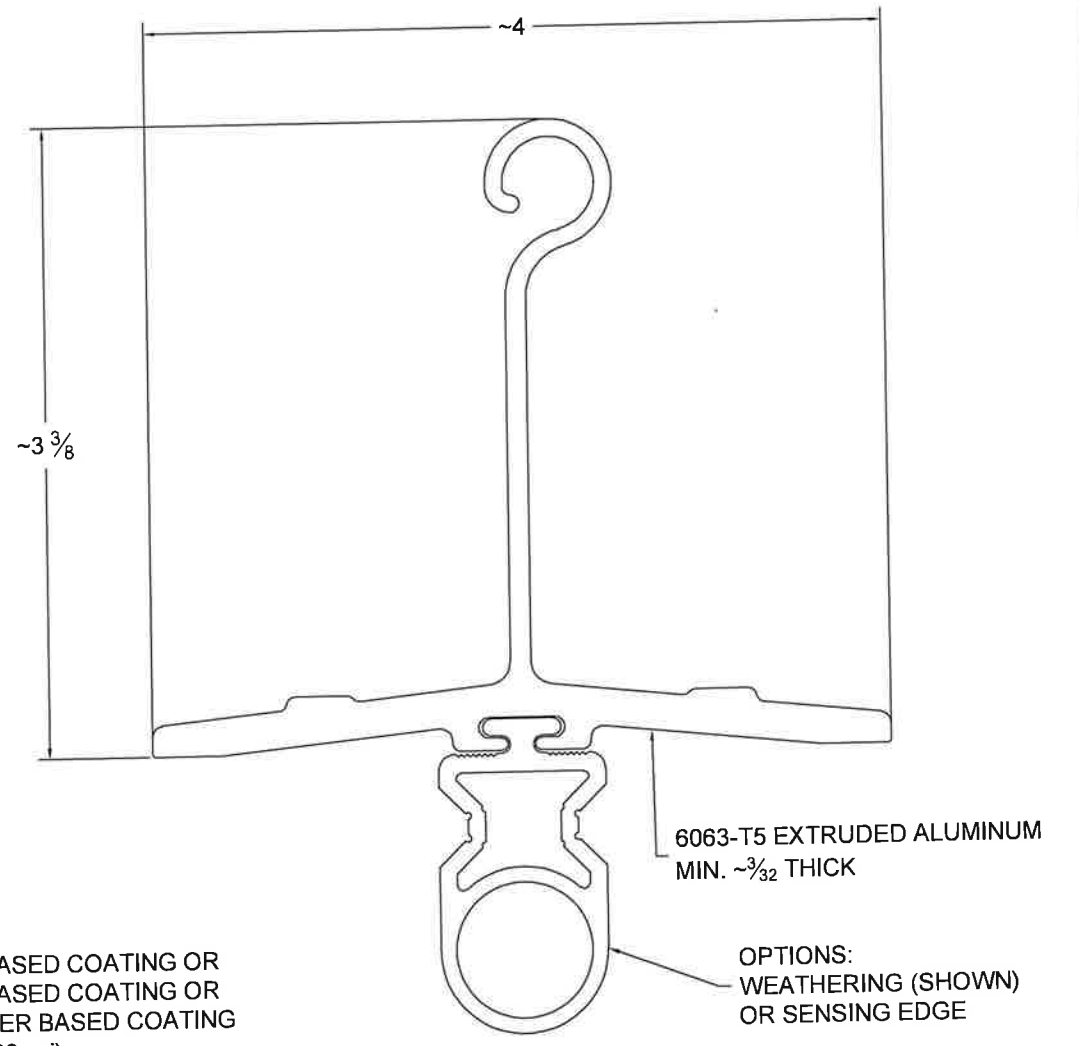


② GUIDE ASSEMBLY DETAIL  
 1:2 SCALE

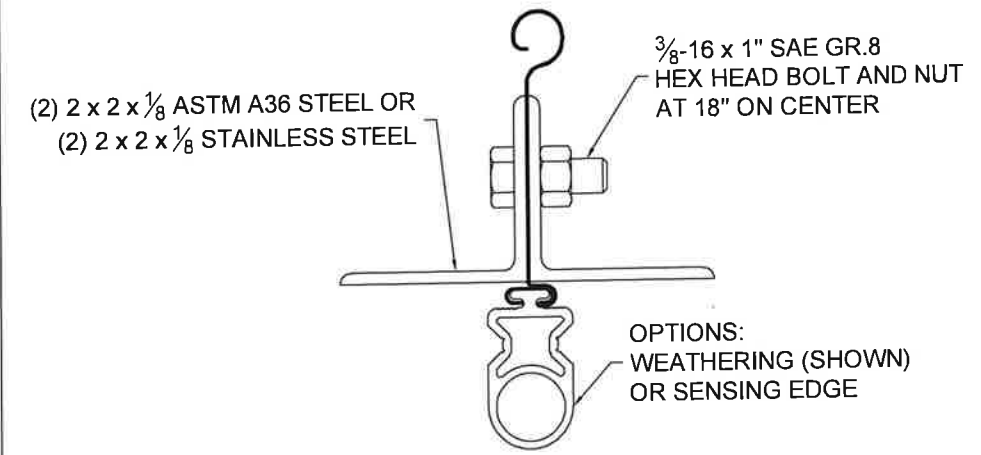


③ SLAT DETAIL  
 TYPICAL SECTION

ASTM A653 HSLAS TYPE B GRADE 40 G40 WITH POLYESTER BASED COATING OR  
 ASTM A653 HSLAS TYPE A GRADE 40 G40 WITH POLYESTER BASED COATING OR  
 ASTM A653 STRUCTURAL STEEL GRADE 40 G40 WITH POLYESTER BASED COATING  
 OR TYPE 304 STAINLESS STEEL (MIN. YIELD 40,000 psi)  
 OR TYPE 316 STAINLESS STEEL (MIN. YIELD 40,000 psi)  
 OR TYPE 430 STAINLESS STEEL (MIN. YIELD 40,000 psi)  
 OR TYPE 201 STAINLESS STEEL (MIN. YIELD 40,000 psi)  
 FULL SCALE



④ BOTTOM BAR DETAIL  
 TYPICAL SECTION  
 FULL SCALE

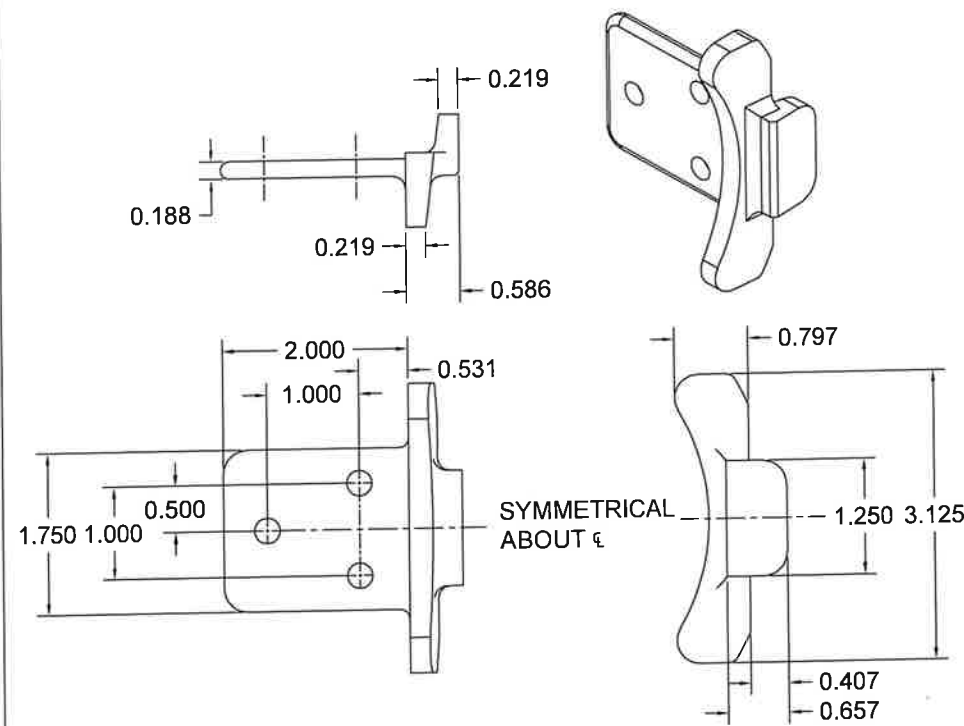


⑤ BOTTOM BAR DETAIL (OPTIONAL)  
 TYPICAL SECTION  
 1:2 SCALE

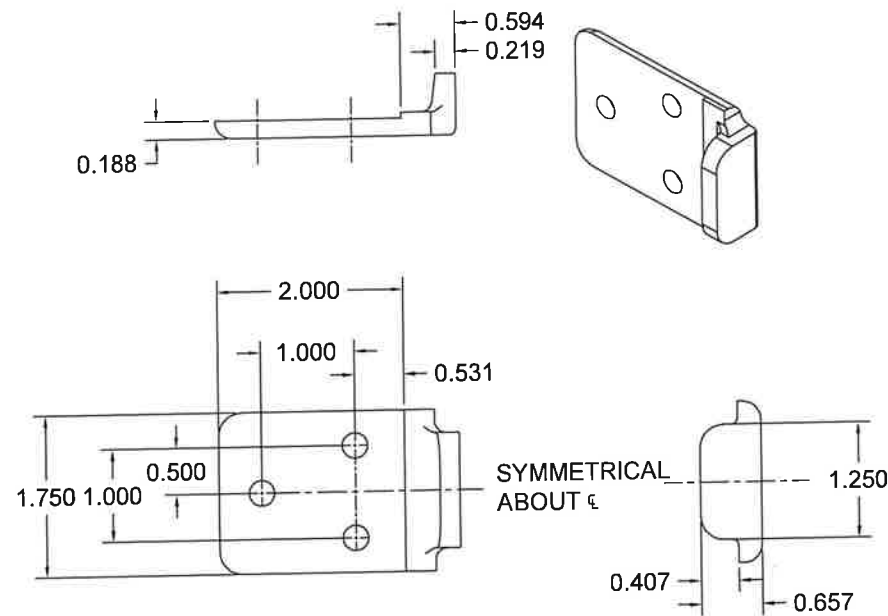


	CLOPAY CORPORATION 8585 DUKE BOULEVARD MASON, OH 45040  P: 800.225.6729 F: 513.440.4853	Unless otherwise specified, dimensions are in inches & tolerances are:  0.000 = +/- 0.031 FRACTIONAL = +/- 1/32 ANGLES = +/- 1/2 DEG		
	<b>TITLE: MIAMI DADE COUNTY APPROVED          20'-5" WIDE 65 PSF 80 FPS          NON-INSULATED ROLLING STEEL DOOR</b>	DRAWN BY: <b>KAD</b>	SIZE: <b>B</b>	SCALE: <b>AS NOTED</b>
DWG NO: <b>ES-16-131-CLO</b>				

L'TR	REVISION	DATE	BY	E.C.O.
*	ORIGINAL ISSUE	11/12/2025	KAD	2398



⑥ ENDLOCK / WINDLOCK DETAIL  
 CAST MALLEABLE IRON ASTM A47, GRADE 32510, OR  
 DUCTILE IRON PER ASTM A536 GRADE 65-45-12, GALVANIZED IN ACCORDANCE WITH  
 ASTM A123, GRADE 85 ZINC-COATING  
 1/2 SCALE

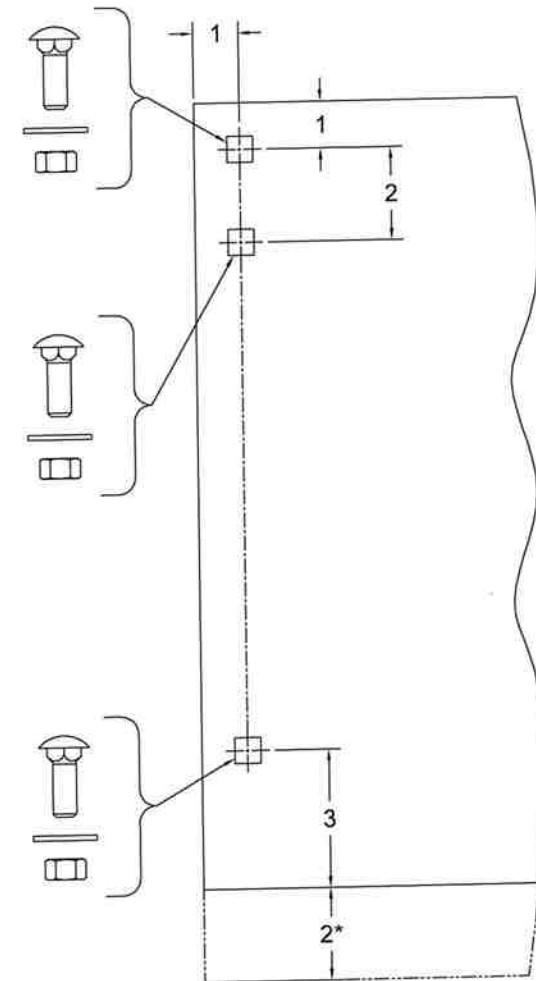


⑦ WINDLOCK DETAIL  
 CAST MALLEABLE IRON ASTM A47, GRADE 32510, OR  
 DUCTILE IRON PER ASTM A536 GRADE 65-45-12, GALVANIZED IN  
 ACCORDANCE WITH ASTM A123, GRADE 85 ZINC-COATING  
 1/2 SCALE

1/2-13 x 1 1/2"  
 CARRIAGE BOLT GR.5  
 1/2" FLAT WASHER  
 1/2-13 HEX NUT

1/2-13 x 1 1/2"  
 CARRIAGE BOLT GR.5  
 1/2" FLAT WASHER  
 1/2-13 HEX NUT  
 THIS FASTENER ON 17"  
 AND LARGER COILS

1/2-13 x 1 1/2"  
 CARRIAGE BOLT GR.5  
 1/2" FLAT WASHER  
 1/2-13 HEX NUT



⑧ BRACKET MOUNTING DETAIL  
 0.172 MIN. THICKNESS

\* 2" EXTENSION WHEN 8" AND LARGER SHAFT ASSEMBLY IS SUPPLIED  
 1/4 SCALE

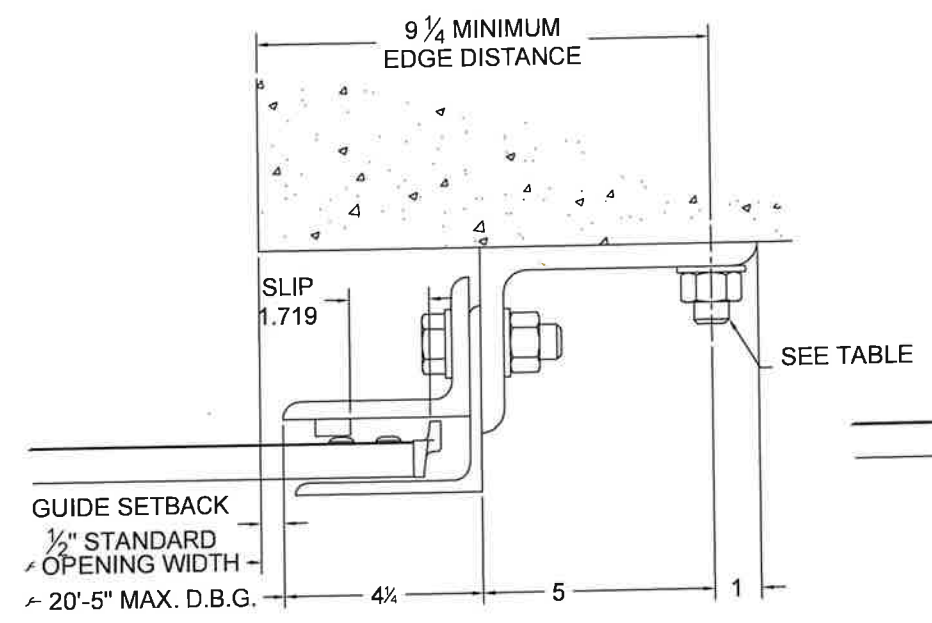
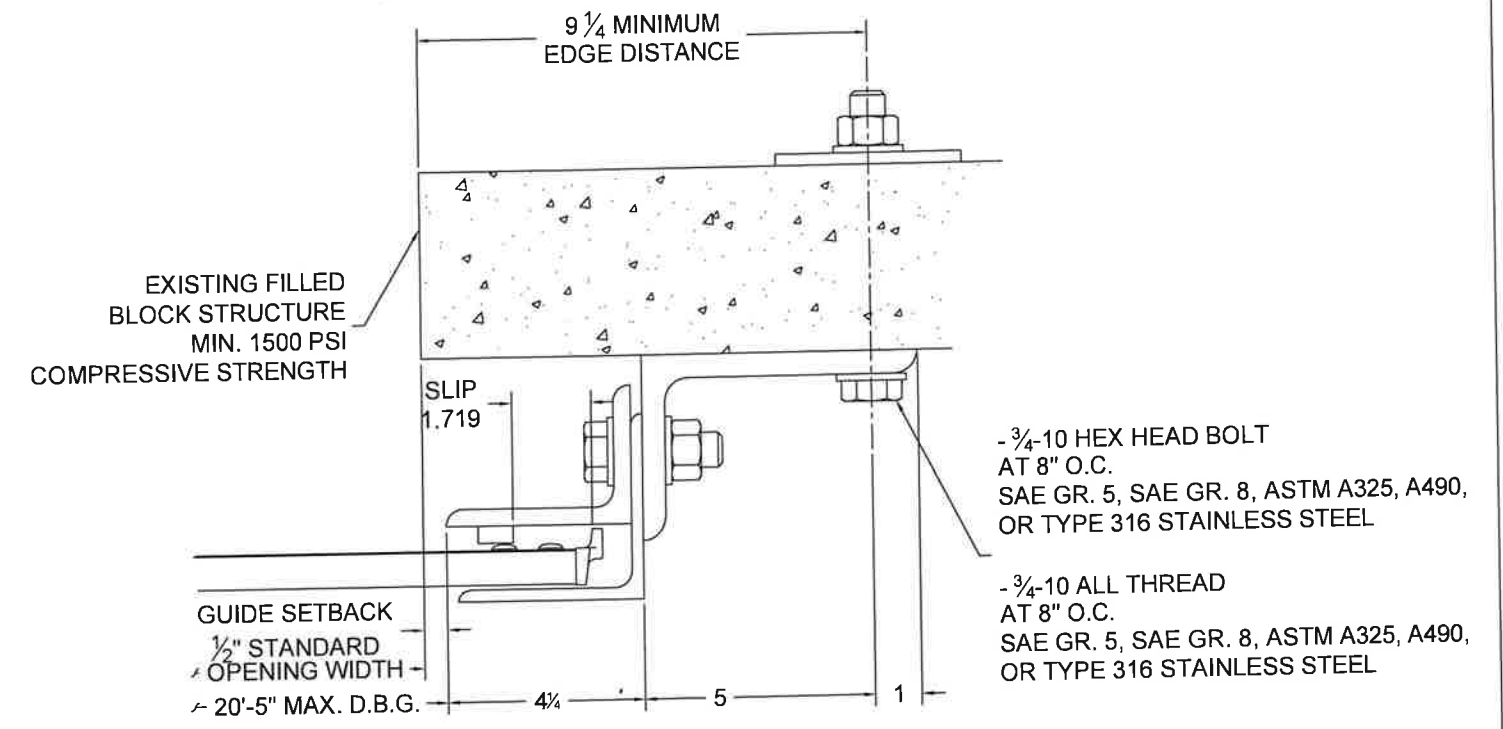
**PRODUCT APPROVED**  
 as complying with the Florida  
 Building Code  
 NOA-No. 25-1022.05  
 Approval Date 04/09/2026  
 By *[Signature]*  
 Miami-Dade Product Control



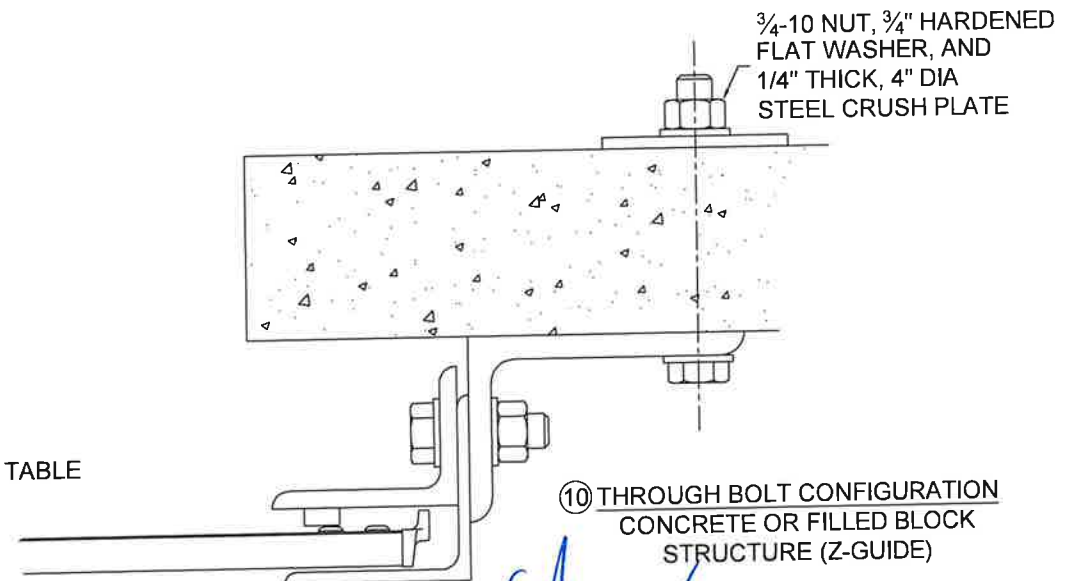
	CLOPAY CORPORATION 8585 DUKE BOULEVARD MASON, OH 45040  P: 800.225.6729 F: 513.440.4853	Unless otherwise specified, dimensions are in inches & tolerances are:  0.000 = +/- 0.031 FRACTIONAL = +/- 1/32 ANGLES = +/- 1/2 DEG
	<b>TITLE: MIAMI DADE COUNTY APPROVED          20'-5" WIDE 65 PSF 80 FPS          NON-INSULATED ROLLING STEEL DOOR</b>	DRAWN BY: <b>KAD</b> DWG NO: <b>ES-16-131-CLO</b>

L'TR	REVISION	DATE	BY	E.C.O.
*	ORIGINAL ISSUE	11/12/2025	KAD	2398

CONCRETE FASTENERS (4000PSI STRENGTH)				
FASTENER	TYPE	DIAMETER	MIN. EMBEDMENT	SPACING (IN)
SIMPSON STRONG-BOLT 2	CARBON STEEL	3/4"	5-3/4"	7
HILTI KWIK-BOLT 1			5-1/2"	16
POWERS POWER-STUD+ SD1			5-5/8"	12
HILTI KWIK-BOLT TZ2			5-1/2"	19
HILTI KH-EZ			6-1/4"	21
HILTI HVU2			6-5/8"	22
SIMPSON STRONG-BOLT 2	STAINLESS STEEL	3/4"	5-3/4"	20
POWERS POWER-STUD+ SD4			4-1/2"	17
HILTI KWIK-BOLT TZ2			5-1/2"	19
SIMPSON TITEN HD			6-1/4"	28
THROUGH BOLTING	SAE GR5, SAE GR8, ASTM A325, ASTM A490	-	-	36
	316 STAINLESS STEEL	-	-	19



⑨ GUIDE ASSEMBLY  
CONCRETE STRUCTURE  
(Z-GUIDE)



⑩ THROUGH BOLT CONFIGURATION  
CONCRETE OR FILLED BLOCK  
STRUCTURE (Z-GUIDE)

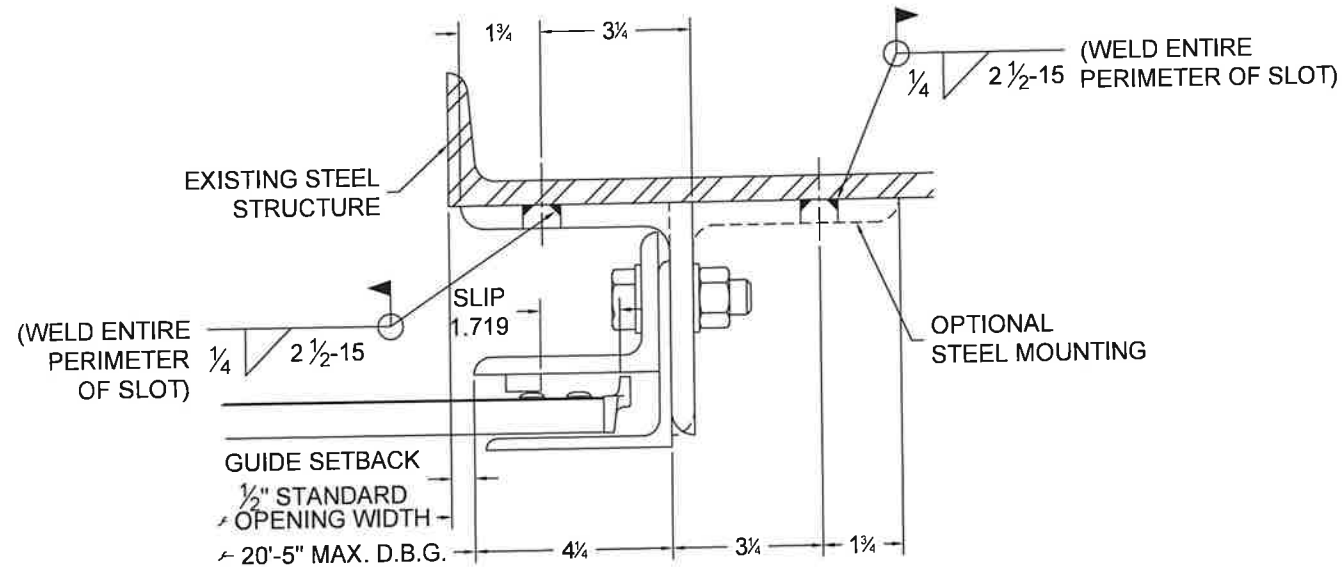
⑪ GUIDE ASSEMBLY  
FILLED BLOCK STRUCTURE  
(Z-GUIDE)

**PRODUCT APPROVED**  
as complying with the Florida  
Building Code  
NOA-No. 25-1022.05  
Approval Date 04/09/2026  
By *[Signature]*  
Miami-Dade Product Control

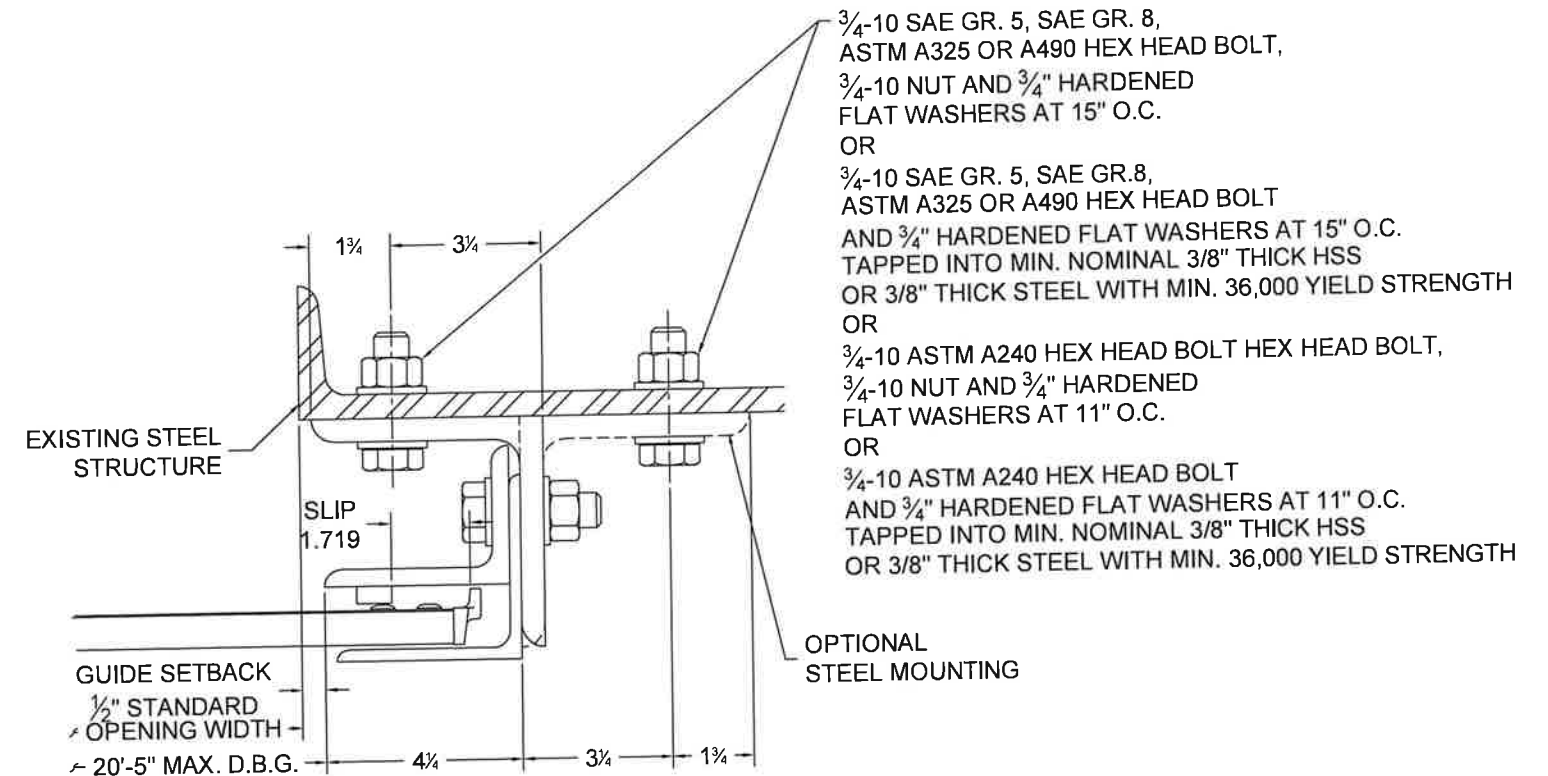


	CLOPAY CORPORATION 8585 DUKE BOULEVARD MASON, OH 45040  P: 800.225.6729 F: 513.440.4853	Unless otherwise specified, dimensions are in inches & tolerances are:  0.000 = +/- 0.031 FRACTIONAL = +/- 1/32 ANGLES = +/- 1/2 DEG
	TITLE: MIAMI DADE COUNTY APPROVED 20'-5" WIDE 65 PSF 80 FPS NON-INSULATED ROLLING STEEL DOOR	DRAWN BY: KAD SIZE: B SCALE: AS NOTED SHEET: 4/7  DWG NO: ES-16-131-CLO

L'TR	REVISION	DATE	BY	E.C.O.
*	ORIGINAL ISSUE	11/12/2025	KAD	2398

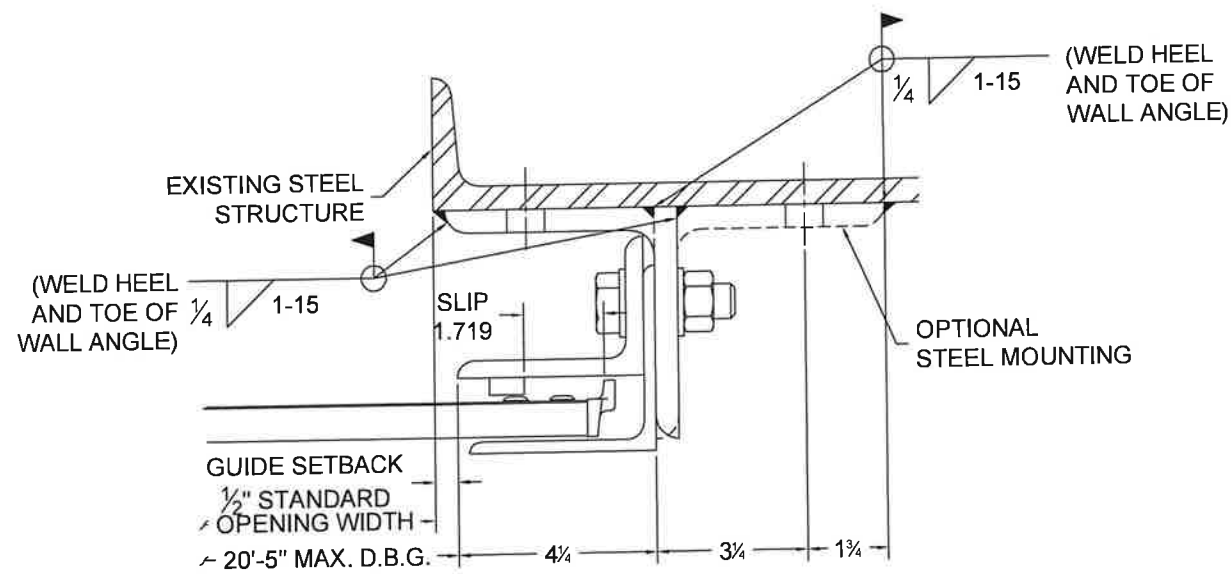


12 GUIDE ASSEMBLY  
STEEL STRUCTURE  
(Z-GUIDE OR E-GUIDE)



14 GUIDE ASSEMBLY  
STEEL STRUCTURE  
(Z-GUIDE OR E-GUIDE)

3/4-10 SAE GR. 5, SAE GR. 8,  
ASTM A325 OR A490 HEX HEAD BOLT,  
3/4-10 NUT AND 3/4" HARDENED  
FLAT WASHERS AT 15" O.C.  
OR  
3/4-10 SAE GR. 5, SAE GR.8,  
ASTM A325 OR A490 HEX HEAD BOLT  
AND 3/4" HARDENED FLAT WASHERS AT 15" O.C.  
TAPPED INTO MIN. NOMINAL 3/8" THICK HSS  
OR 3/8" THICK STEEL WITH MIN. 36,000 YIELD STRENGTH  
OR  
3/4-10 ASTM A240 HEX HEAD BOLT HEX HEAD BOLT,  
3/4-10 NUT AND 3/4" HARDENED  
FLAT WASHERS AT 11" O.C.  
OR  
3/4-10 ASTM A240 HEX HEAD BOLT  
AND 3/4" HARDENED FLAT WASHERS AT 11" O.C.  
TAPPED INTO MIN. NOMINAL 3/8" THICK HSS  
OR 3/8" THICK STEEL WITH MIN. 36,000 YIELD STRENGTH



13 GUIDE ASSEMBLY  
STEEL STRUCTURE  
(Z-GUIDE OR E-GUIDE)

**PRODUCT APPROVED**  
as complying with the Florida  
Building Code  
NOA-No. 25-1022.05  
Approval Date 04/09/2026  
By *[Signature]*  
Miami-Dade Product Control

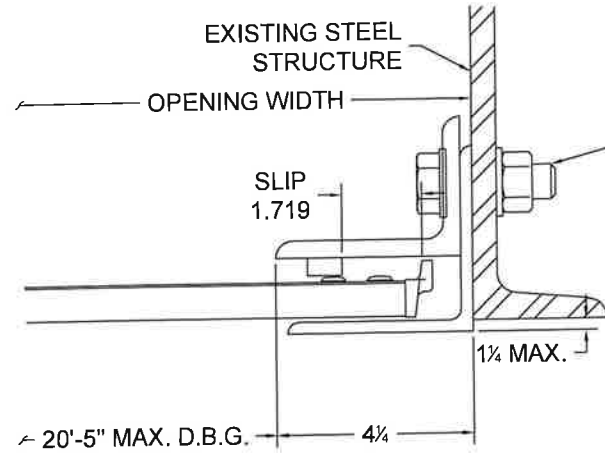


	CLOPAY CORPORATION 8585 DUKE BOULEVARD MASON, OH 45040		Unless otherwise specified, dimensions are in inches & tolerances are:  0.000 = +/- 0.031 FRACTIONAL = +/- 1/32 ANGLES = +/- 1/2 DEG		
	P: 800.225.6729 F: 513.440.4853		DRAWN BY: <b>KAD</b>	SIZE: <b>B</b>	SCALE: <b>AS NOTED</b>
TITLE: <b>MIAMI DADE COUNTY APPROVED 20'-5" WIDE 65 PSF 80 FPS NON-INSULATED ROLLING STEEL DOOR</b>			DWG NO: <b>ES-16-131-CLO</b>		

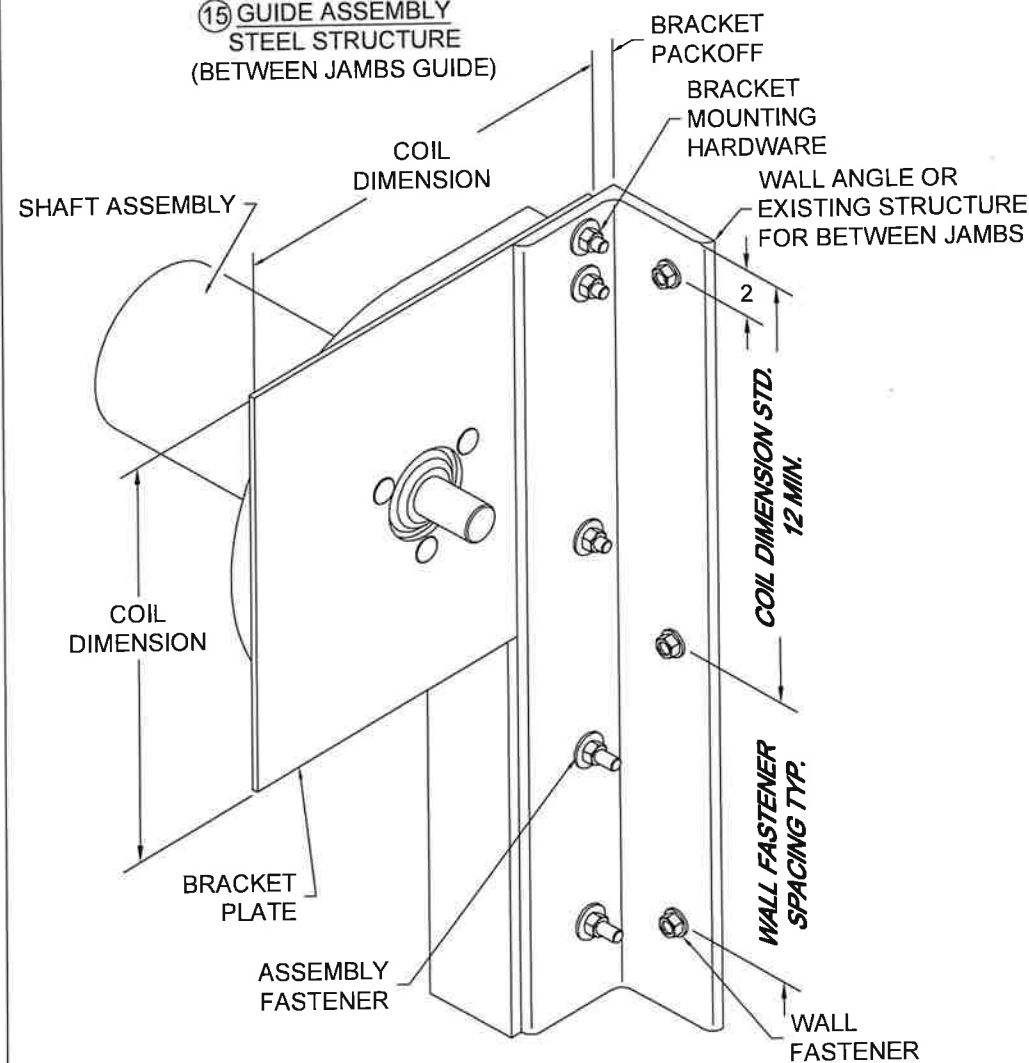
L'TR	REVISION	DATE	BY	E.C.O.
*	ORIGINAL ISSUE	11/12/2025	KAD	2398

$\frac{3}{4}$ -10 SAE GR. 5, SAE GR. 8,  
 ASTM A325 OR A490 HEX HEAD BOLT,  
 $\frac{3}{4}$ -10 NUT AND  $\frac{3}{4}$ " HARDENED  
 FLAT WASHERS AT 15" O.C.  
 OR  
 $\frac{3}{4}$ -10 SAE GR. 5, SAE GR.8,  
 ASTM A325 OR A490 HEX HEAD BOLT  
 AND  $\frac{3}{4}$ " HARDENED FLAT WASHERS AT 15" O.C.  
 TAPPED INTO MIN. NOMINAL  $\frac{3}{8}$ " THICK HSS  
 OR  $\frac{3}{8}$ " THICK STEEL WITH MIN. 36,000 YIELD STRENGTH  
 OR  
 $\frac{3}{4}$ -10 A240 HEX HEAD BOLT,  
 $\frac{3}{4}$ -10 NUT AND  $\frac{3}{4}$ " HARDENED  
 FLAT WASHERS AT 8" O.C.  
 OR  
 $\frac{3}{4}$ -10 ASTM A240 HEX HEAD BOLT  
 AND  $\frac{3}{4}$ " HARDENED FLAT WASHERS AT 8" O.C.  
 TAPPED INTO MIN. NOMINAL  $\frac{3}{8}$ " THICK HSS  
 OR  $\frac{3}{8}$ " THICK STEEL WITH MIN. 36,000 YIELD STRENGTH

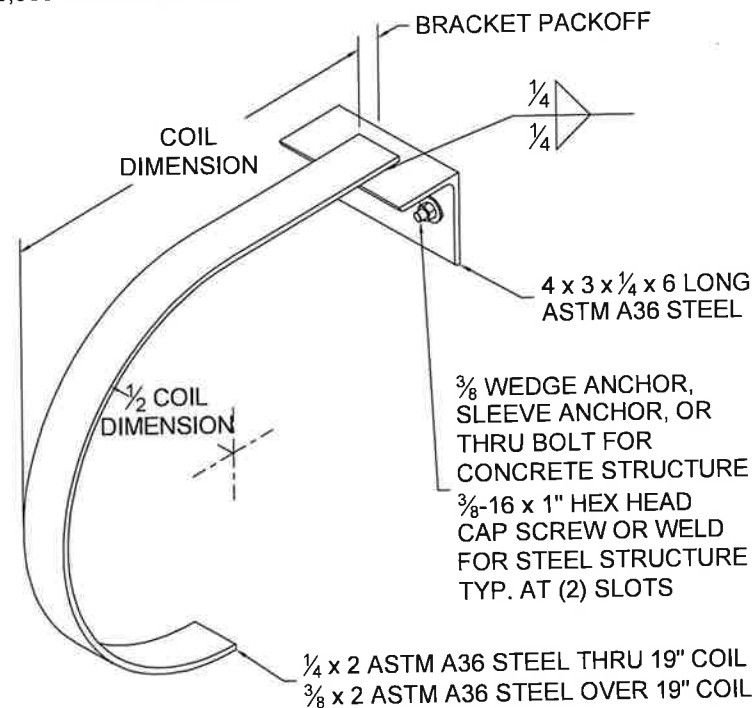
**PRODUCT APPROVED**  
 as complying with the Florida  
 Building Code  
 NOA-No. 25-1022.05  
 Approval Date 04/09/2026  
 By *[Signature]*  
 Miami-Dade Product Control



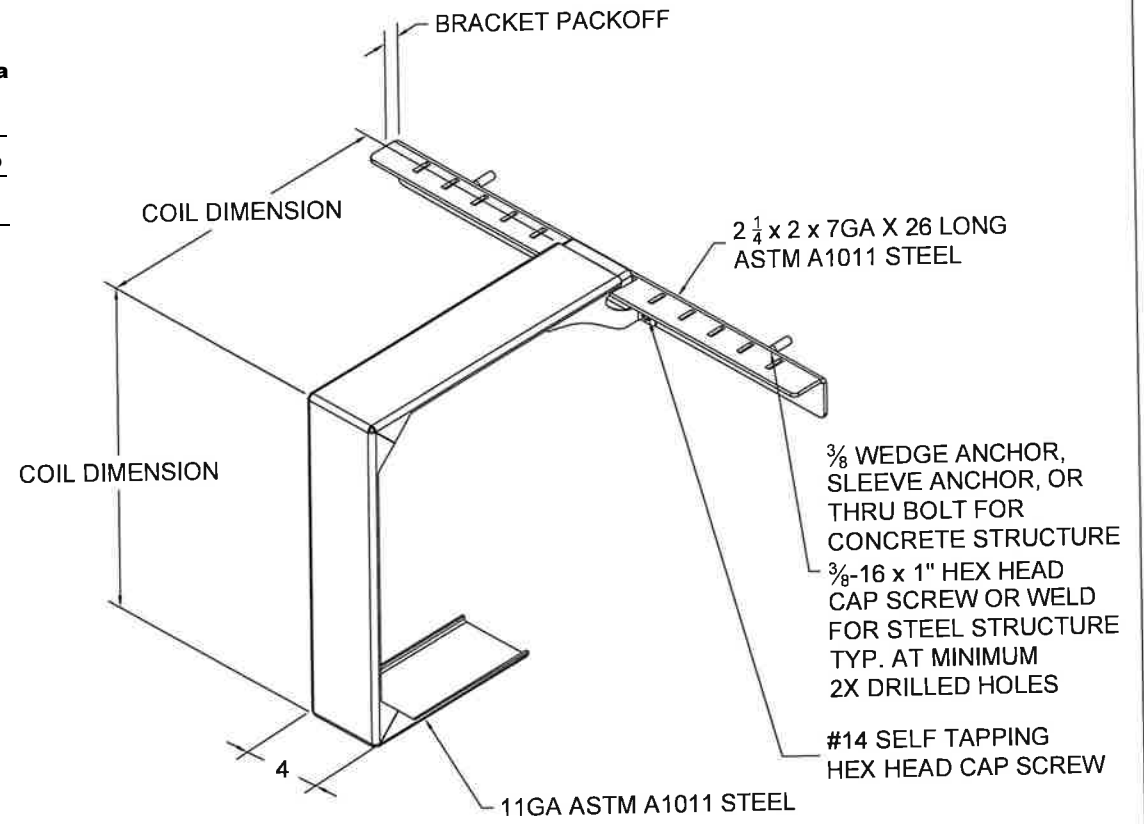
15 GUIDE ASSEMBLY  
 STEEL STRUCTURE  
 (BETWEEN JAMBS GUIDE)



16 BRACKET MOUNTING / TOP WALL ANGLE FASTENING  
 BRACKET MOUNTING PER DETAIL 8 DEPICTED,  
 OTHER BRACKET MOUNTINGS ARE AVAILABLE  
 SCALE: NTS



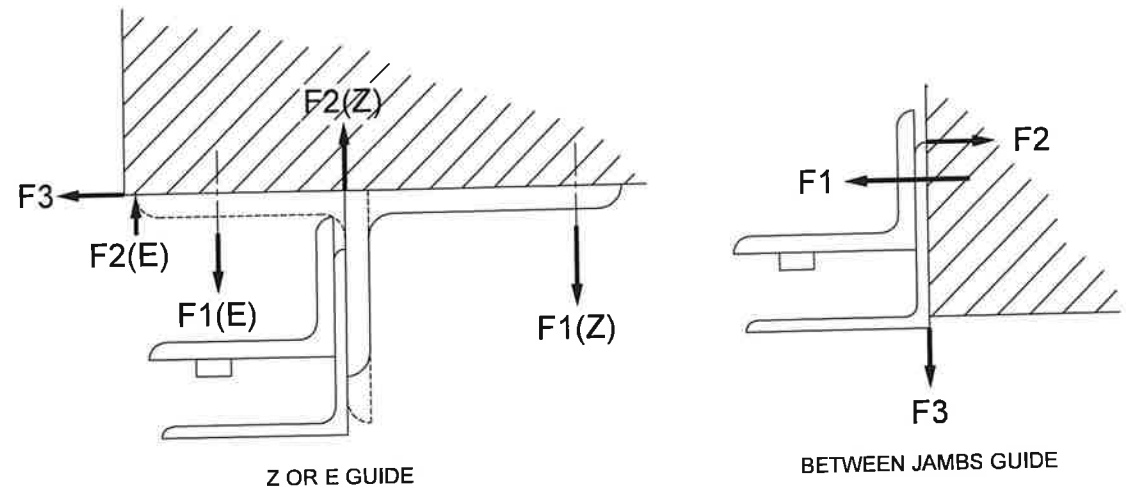
17 MID-HOOD SUPPORT  
 (WHEN REQUIRED)  
 "D" SHAPE DEPICTED, SQUARE STYLE ALSO AVAILABLE  
 SCALE: NTS



18 MID-HOOD SUPPORT  
 (WHEN REQUIRED)  
 SQUARE STYLE DEPICTED, "D" SHAPE ALSO AVAILABLE  
 SCALE: NTS

	CLOPAY CORPORATION 8585 DUKE BOULEVARD MASON, OH 45040  P: 800.225.6729 F: 513.440.4853	Unless otherwise specified, dimensions are in inches & tolerances are:  0.000 = +/- 0.031 FRACTIONAL = +/- 1/32 ANGLES = +/- 1/2 DEG
	<b>TITLE: MIAMI DADE COUNTY APPROVED          20'-5" WIDE 65 PSF 80 FPS          NON-INSULATED ROLLING STEEL DOOR</b>	DRAWN BY: <b>KAD</b> SIZE: <b>B</b> SCALE: <b>AS NOTED</b> SHEET: <b>6/7</b>  DWG NO: <b>ES-16-131-CLO</b>

L'TR	REVISION	DATE	BY	E.C.O.
*	ORIGINAL ISSUE	11/12/2025	KAD	2398



UNREDUCED WIND FORCES ON BUILDING STRUCTURE (LBS / FOOT OF HEIGHT)					
Z-GUIDE					
POSITIVE			NEGATIVE		
F1	F2	F3	F1	F2	F3
1755	1084	2178	3417	4088	2178
E-GUIDE					
POSITIVE			NEGATIVE		
F1	F2	F3	F1	F2	F3
4985	4314	2178	4619	5291	2178
BETWEEN JAMBS GUIDE					
POSITIVE			NEGATIVE		
F1	F2	F3	F1	F2	F3
3406	1228	671	9579	7401	671
<b>BUILDING DESIGNER NOTE:</b> STRUCTURE MUST BE DESIGNED TO SUPPORT F1, F2, AND F3 FORCES (LBS./FT. OF OPENING HEIGHT) AT EACH JAMB.					

**PRODUCT APPROVED**  
 as complying with the Florida Building Code  
 NOA-No. 25-1022.05  
 Approval Date 04/09/2026  
 By *[Signature]*  
 Miami-Dade Product Control



	CLOPAY CORPORATION 8585 DUKE BOULEVARD MASON, OH 45040	Unless otherwise specified, dimensions are in inches & tolerances are:  0.000 = +/- 0.031 FRACTIONAL = +/- 1/32 ANGLES = +/- 1/2 DEG
	P: 800.225.6729 F: 513.440.4853	
TITLE: MIAMI DADE COUNTY APPROVED 20'-5" WIDE 65 PSF 80 FPS NON-INSULATED ROLLING STEEL DOOR		DRAWN BY: KAD SIZE: B SCALE: AS NOTED SHEET: 7/7 DWG NO: ES-16-131-CLO