



**DEPARTMENT OF REGULATORY AND ECONOMIC RESOURCES (RER)  
BOARD AND CODE ADMINISTRATION DIVISION  
NOTICE OF ACCEPTANCE (NOA)**

**MIAMI-DADE COUNTY  
PRODUCT CONTROL SECTION**  
11805 SW 26 Street, Room 208  
Miami, Florida 33175-2474  
T (786) 315-2590 F (786) 315-2599  
[www.miamidade.gov/building](http://www.miamidade.gov/building)

**Clopay Corporation  
8585 Duke Blvd.  
Mason, OH 45040**

**SCOPE:** This NOA is being issued under the applicable rules and regulations governing the use of construction materials. The documentation submitted has been reviewed and accepted by Miami-Dade County RER-Product Control Section to be used in Miami Dade County and other areas where allowed by the Authority Having Jurisdiction (AHJ).

This NOA shall not be valid after the expiration date stated below. The Miami-Dade County Product Control Section (In Miami Dade County) and/or the AHJ (in areas other than Miami Dade County) reserve the right to have this product or material tested for quality assurance purposes. If this product or material fails to perform in the accepted manner, the manufacturer will incur the expense of such testing and the AHJ may immediately revoke, modify, or suspend the use of such product or material within their jurisdiction. RER reserves the right to revoke this acceptance, if it is determined by Miami-Dade County Product Control Section that this product or material fails to meet the requirements of the applicable building code.

This product is approved as described herein and has been designed to comply with the Florida Building Code, including the High Velocity Hurricane Zone.

**DESCRIPTION: Insulated Steel Rolling Door up to 12' 5" wide (80 FPS Impact)**

**APPROVAL DOCUMENT:** Drawing No. **ES-16-121-CLO**, titled "12'-5" Wide 120 PSF 80 FPS Insulated Rolling Steel Door", sheets 1 through 6 of 6, dated 02/10/2026, prepared by manufacturer, signed and sealed by Shawn P. Kelley, P.E., bearing the Miami-Dade County Product Control approval stamp with the Notice of Acceptance number and expiration date by the Miami-Dade County Product Control Section.

**MISSILE IMPACT RATING: Large and Small Missile Impact Resistant**

**LABELING:** Each unit shall bear a permanent label with the manufacturer's name or logo, manufacturing address, model number, the positive and negative design pressure rating, indicate impact rated if applicable, installation instruction drawing reference number, approval number (NOA), the applicable test standards, and the statement reading 'Miami-Dade County Product Control Approved' is to be located on the door's side track, bottom angle, or inner surface of a panel.

**RENEWAL** of this NOA shall be considered after a renewal application has been filed and there has been no change in the applicable building code negatively affecting the performance of this product.

**TERMINATION** of this NOA will occur after the expiration date or if there has been a revision or change in the materials, use, and/or manufacture of the product or process. Misuse of this NOA as an endorsement of any product, for sales, advertising or any other purposes shall automatically terminate this NOA. Failure to comply with any section of this NOA shall be cause for termination and removal of NOA.

**ADVERTISEMENT:** The NOA number preceded by the words Miami-Dade County, Florida, and followed by the expiration date may be displayed in advertising literature. If any portion of the NOA is displayed, then it shall be done in its entirety.

**INSPECTION:** A copy of this entire NOA shall be provided to the user by the manufacturer or its distributors and shall be available for inspection at the job site at the request of the Building Official.

This NOA consists of this page 1 and evidence page E-1, as well as approval document mentioned above. The submitted documentation was reviewed by **Carlos M. Utrera, P.E.**



  
04/06/26

**NOA No. 25-1022.08**  
**Expiration Date: April 16, 2031**  
**Approval Date: April 16, 2026**  
Page 1

**NOTICE OF ACCEPTANCE: EVIDENCE SUBMITTED**

**A. DRAWINGS**

1. Drawing No. **ES-16-121-CLO**, titled “12’-5” Wide 120 PSF 80 FPS Insulated Rolling Steel Door”, sheets 1 through 6 of 6, dated 02/10/2026, prepared by manufacturer, signed and sealed by Shawn Patrick Kelley, P.E.

**B. TESTS**

1. Test reports on: 1) Uniform Static Air Pressure Test, Loading per FBC, TAS 202-94  
2) Large Missile Impact Test per FBC, TAS 201-94  
3) Cyclic Wind Pressure Loading per FBC, TAS 203-94  
4) Forced Entry Test, per FBC, TAS 202-94  
along with marked-up drawings and installation diagram of Insulated/Thermiser Rolling Garage Door 12’-4” wide x 10’ high, prepared by Intertek, Test Report No. **Q9397.05-109-18**, dated 12/12/2024, signed and sealed by Tanya A. Dolby, P.E.

**C. CALCULATIONS**

1. Calculations prepared by Moment Engineering+ Design, LLC, dated 04/08/2025 and 04/10/2025, signed and sealed by Shawn P. Kelley, P.E.

**D. QUALITY ASSURANCE**

1. Miami-Dade Department of Regulatory and Economic Resources (RER).

**E. MATERIAL CERTIFICATIONS**

1. Test report on Salt Spray Performance per ASTM B117-19 of G90 unpainted and G40 painted samples, prepared by Intertek, Test Report No. **M6278.01-106-18 R0**, dated 12/13/2021, signed and sealed by Vinu J. Abraham, P.E.
2. Test report on Tensile Strength per ASTM E8-24 of sheet metal samples, prepared by Intertek, Test Report No. **S3387.01-106-18 R1**, dated 04/01/2025, signed and sealed by Tanya A. Dolby, P.E.
3. Test Report on Flame Spread/ Smoke Density per ASTM E84 of Thermiser polyurethane foam, prepared by Intertek, Report No. **N5858.01-121-18-R0**, dated 07/14/2022, signed and sealed by Tanya A. Dolby, P.E.
4. Test Report on Ignition Temperature per ASTM D1929 of Thermiser polyurethane foam, prepared by Intertek, Report No. **N5873.01-106-18-R0**, dated 06/08/2022, signed and sealed by Vinu J. Abraham, P.E.
5. Rockwool ProRox SL 940 mineral wool insulation technical specifications.

**F. STATEMENTS**

1. Statement letter of code conformance with the 8<sup>th</sup> edition (2023) of the FBC, and of no financial interest, issued by Moment Engineering+ Design, LLC, dated 06/11/2025, signed and sealed by Shawn P. Kelley, P.E.



---

**Carlos M. Utrera, P.E.**  
**Product Control Examiner**  
**NOA No. 25-1022.08**  
**Expiration Date: April 16, 2031**  
**Approval Date: April 16, 2026**

L'TR	REVISION	DATE	BY	E.C.O.
*	ORIGINAL ISSUE	02/02/2026	KAD	2398

HOOD  
#24 GA MINIMUM  
GALVANIZED OR  
STAINLESS STEEL

ROLL-UP MECHANISM NOT INCLUDED IN THIS  
APPROVAL. MUST BE CERTIFIED BY AN  
INDEPENDENT TESTING AGENCY IF REQUIRED.

NOTES:

- THIS ROLL-UP DOOR SYSTEM IS DESIGNED IN ACCORDANCE WITH THE FLORIDA BUILDING CODE, AS A LARGE MISSILE IMPACT RESISTANT SYSTEM.
- POSITIVE AND NEGATIVE DESIGN PRESSURE CALCULATIONS SHALL BE PERFORMED FOR SPECIFIC JOBS IN ACCORDANCE WITH ASCE 7 *MINIMUM DESIGN LOADS FOR BUILDINGS AND OTHER STRUCTURES*. WIND LOADS DETERMINED FOR OPENINGS SHALL BE LESS THAN OR EQUAL TO DOOR DESIGN PRESSURES NOTED BELOW.  
POSITIVE DESIGN LOAD = 120 PSF  
NEGATIVE DESIGN LOAD = 120 PSF
- THE DETAILS AND SPECIFICATIONS SHOWN HEREIN REPRESENT THE PRODUCTS TESTED FOR UNIFORM STATIC AIR PRESSURE IN CONFORMANCE WITH DADE COUNTY PROTOCOLS TAS 201, 202 AND 203.  
TESTING PERFORMED BY INTERTEK (YORK, PENNSYLVANIA) TEST REPORT No. q9397.05-109-18.
- SUPERIMPOSED LOADS ON THE JAMBS FROM THIS DOOR ARE DESIGNATED AS F1, F2, AND F3 HEREIN. CONTRACTORS SHALL HAVE FLORIDA REGISTERED PROFESSIONAL ENGINEER VERIFY ADEQUACY OF BUILDING STRUCTURE TO RESIST SUPERIMPOSED LOAD F1, F2, AND F3.
- ALL WELDING SHALL BE PERFORMED BY QUALIFIED WELDERS IN ACCORDANCE WITH AWS SPECIFICATIONS, LATEST EDITION. ALL WELDING ELECTRODES SHALL CONFORM TO AWS A5.1, GRADE E-70. MINIMUM WELDING PROCESS SHALL BE ARC WELDING AWS E7014 OR MIG WELDING AWS ER70S-6.
- ANCHOR NOTES:  
A. EMBEDMENT DEPTH DOES NOT INCLUDE STUCCO FINISH.  
B. ANCHORS SHALL BE INSTALLED IN ACCORDANCE WITH MANUFACTURERS SPECIFICATIONS.
- POLYURETHANE FOAM INSULATION, TESTED IN ACCORDANCE WITH ASTM E-84 AND D-1929 OR MINERAL WOOL INSULATION.
- DOOR MAY BE INSTALLED ON THE INSIDE OR OUTSIDE OF AN EXTERIOR WALL.
- A 33% INCREASE IN ALLOWABLE STRESS HAS NOT BEEN USED IN THE DESIGN OF THIS PRODUCT.
- SLIDE BOLTS ARE NOT REQUIRED FOR WINDLOAD RESISTANCE. SLIDE BOLTS ARE ONLY REQUIRED ON PUSH UP OPERATED UNITS FOR FORCED ENTRY RESISTANCE. LOCKING IS TO BE PROVIDED BY OTHERS OR AS CYLINDER LOCKS BY CLOPAY.
- ENDLOCK/WINDLOCKS AND WINDLOCKS ARE SECURED TO EACH END OF ALTERNATING SLATS WITH (3) 1/4" RIVETS PER END RESULTING IN CONTINUOUS SLAT WINDLOCK SUPPORT.
- GUIDE ASSEMBLY AND BOTTOM BAR ARE TO BE PROTECTED FROM CORROSION WITH POLYESTER POWDER COATING WHEN NOT MINIMUM G90 GALVANIZED STEEL OR STAINLESS STEEL OR ALUMINUM.

SPRING  
ADJUSTOR

STOPPERS

OPERATION:  
PUSH-UP  
CHAIN (SHOWN)  
CRANK  
MOTOR

BRACKET (8)

(3) SLAT

(2) GUIDE ASSEMBLY

(4) (5) BOTTOM BAR

SLIDEBOLT  
SEE NOTE 11

CLEAR OPENING HEIGHT  
30'-0" MAXIMUM

GUIDE ASSEMBLY (2)

GUIDE SETBACK VARIES  
1/2" STANDARD

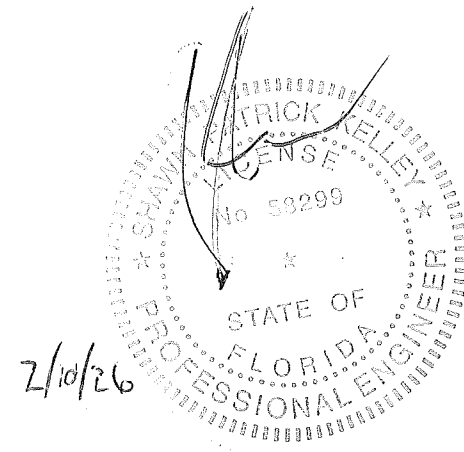
OPENING WIDTH

12'-5" DISTANCE BETWEEN GUIDES (D.B.G.)

GUIDE SETBACK VARIES  
1/2" STANDARD

(1) OVERALL DOOR ASSEMBLY  
1:32 SCALE

**PRODUCT APPROVED**  
as complying with the Florida  
Building Code  
NOA-No. 25-1022.08  
Approval Date 04/16/2026  
By *[Signature]*  
Miami-Dade Product Control



**Clopay**

CLOPAY CORPORATION  
8585 DUKE BOULEVARD  
MASON, OH 45040

P: 800.225.6729  
F: 513.440.4853

Unless otherwise specified,  
dimensions are in inches &  
tolerances are:

0.000 = +/- 0.031  
FRACTIONAL = +/- 1/32  
ANGLES = +/- 1/2 DEG

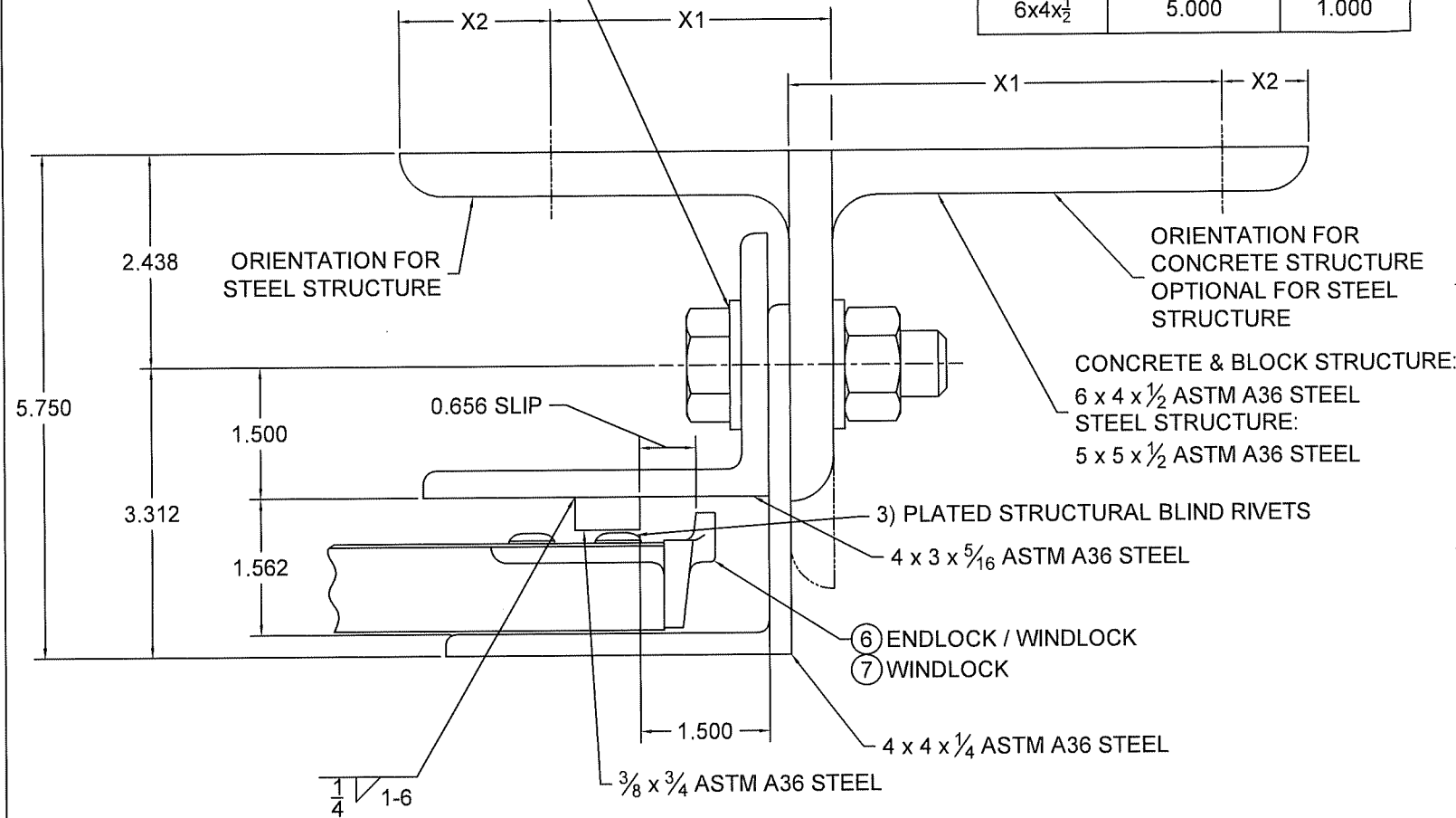
TITLE: MIAMI DADE COUNTY APPROVED  
12'-5" WIDE 120 PSF 80 FPS  
INSULATED ROLLING STEEL DOOR

DRAWN BY: KAD	SIZE: B	SCALE: AS NOTED	SHEET: 1/6
DWG NO: ES-16-121-CLO			

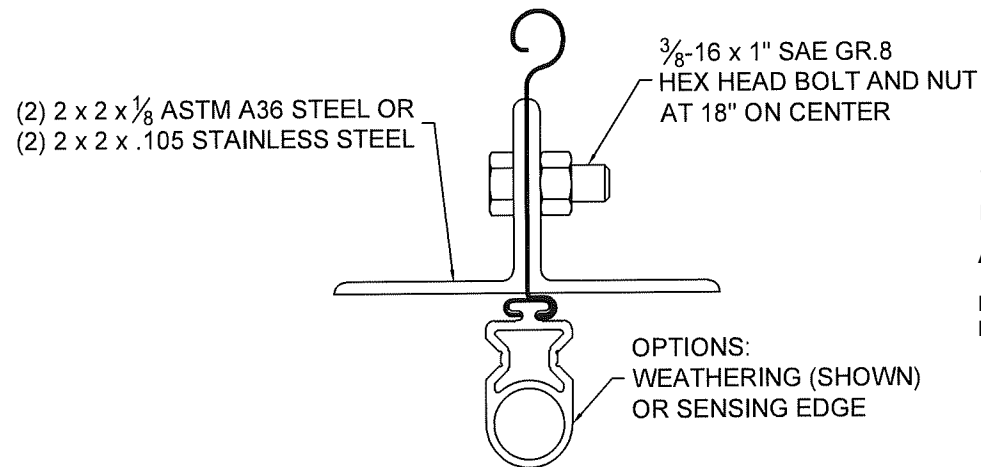
L'TR	REVISION	DATE	BY	E.C.O.
*	ORIGINAL ISSUE	02/02/2026	KAD	2398

3/4-10 x 2-1/2" SAE GR. 8, ASTM A325,  
OR A490 HEX HEAD BOLT,  
3/4-10 NUT AND 3/4" HARDENED FLAT  
WASHERS AT 15" O.C.

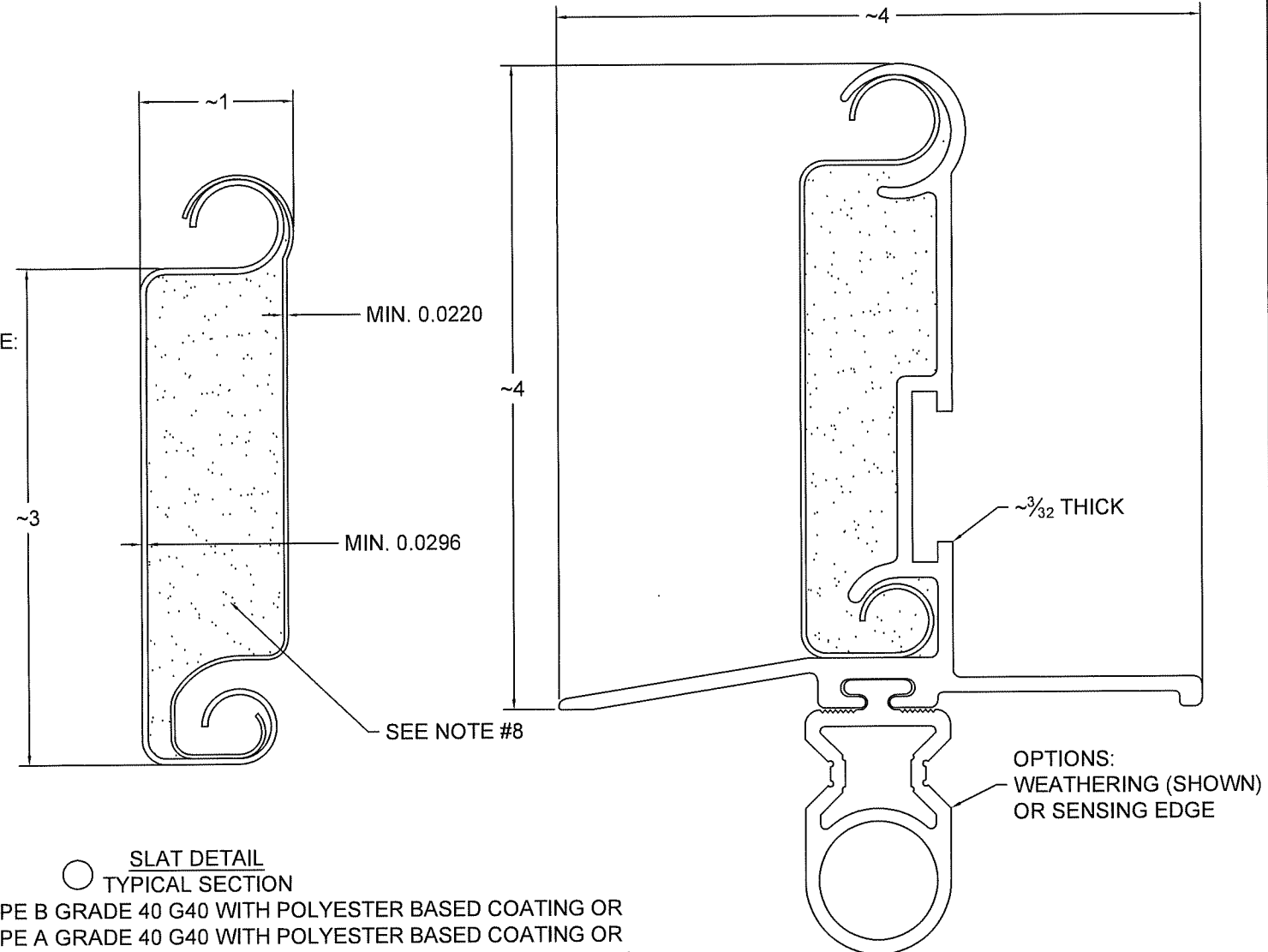
Wall Angle	X1	X2
5x5x1/2	3.250	1.750
6x4x1/2	5.000	1.000



② GUIDE ASSEMBLY DETAIL  
1:2 SCALE



⑤ BOTTOM BAR DETAIL (OPTIONAL)  
TYPICAL SECTION  
1:2 SCALE

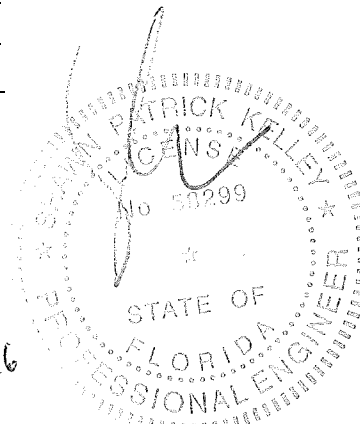


○ SLAT DETAIL  
TYPICAL SECTION

④ BOTTOM BAR DETAIL  
TYPICAL SECTION  
FULL SCALE  
6063-T5 EXTRUDED ALUMINUM

ASTM A653 HSLAS TYPE B GRADE 40 G40 WITH POLYESTER BASED COATING OR  
ASTM A653 HSLAS TYPE A GRADE 40 G40 WITH POLYESTER BASED COATING OR  
ASTM A653 STRUCTURAL STEEL GRADE 40 G40 WITH POLYESTER BASED COATING  
OR TYPE 304 STAINLESS STEEL (MIN. YIELD 40,000 psi)  
OR TYPE 316 STAINLESS STEEL (MIN. YIELD 40,000 psi)  
OR TYPE 430 STAINLESS STEEL (MIN. YIELD 40,000 psi)  
OR TYPE 201 STAINLESS STEEL (MIN. YIELD 40,000 psi)  
FULL SCALE

**PRODUCT APPROVED**  
as complying with the Florida  
Building Code  
NOA-No. 25-1022.08  
Approval Date 04/16/2026  
By *[Signature]*  
Miami-Dade Product Control



CLOPAY CORPORATION  
8585 DUKE BOULEVARD  
MASON, OH 45040

P: 800.225.6729  
F: 513.440.4853

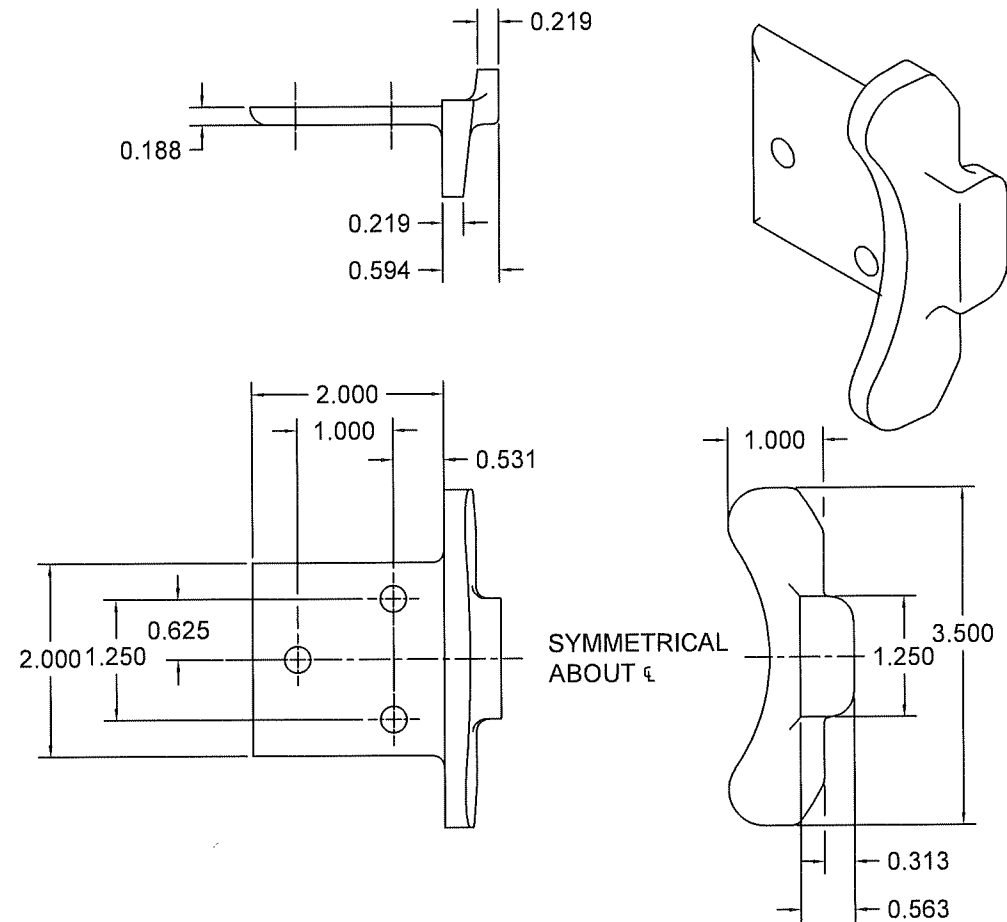
Unless otherwise specified,  
dimensions are in inches &  
tolerances are:

0.000 = +/- 0.031  
FRACTIONAL = +/- 1/32  
ANGLES = +/- 1/2 DEG

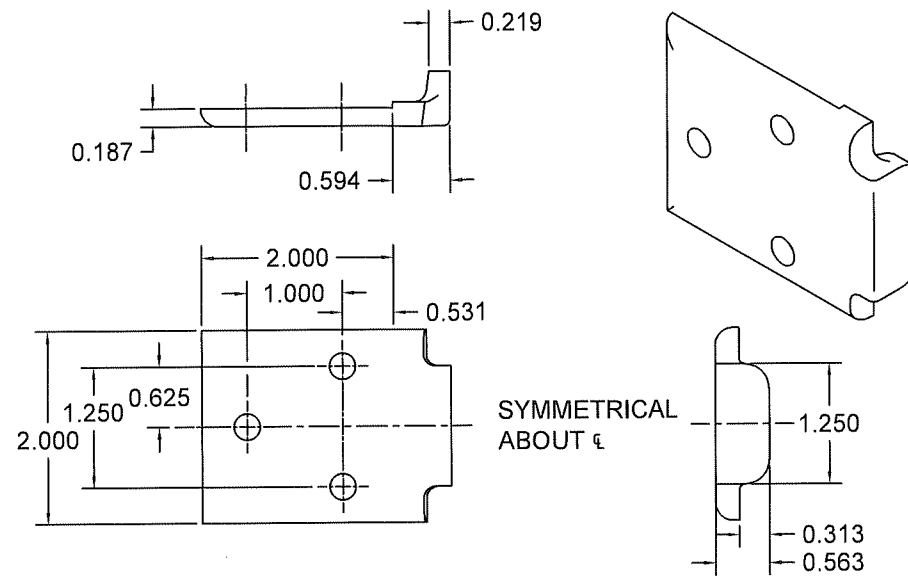
TITLE: MIAMI DADE COUNTY APPROVED  
12'-5" WIDE 120 PSF 80 FPS  
INSULATED ROLLING STEEL DOOR

DRAWN BY: KAD	SIZE: B	SCALE: AS NOTED	SHEET: 2/6
DWG NO: ES-16-121-CLO			

L'TR	REVISION	DATE	BY	E.C.O.
*	ORIGINAL ISSUE	02/02/2026	KAD	2398



**⑥ ENDLOCK / WINDLOCK DETAIL**  
 CAST MALLEABLE IRON ASTM A47, GRADE 32510, OR  
 DUCTILE IRON PER ASTM A536 GRADE 65-45-12, GALVANIZED IN ACCORDANCE WITH  
 ASTM A123, GRADE 85 ZINC-COATING  
 1/2 SCALE

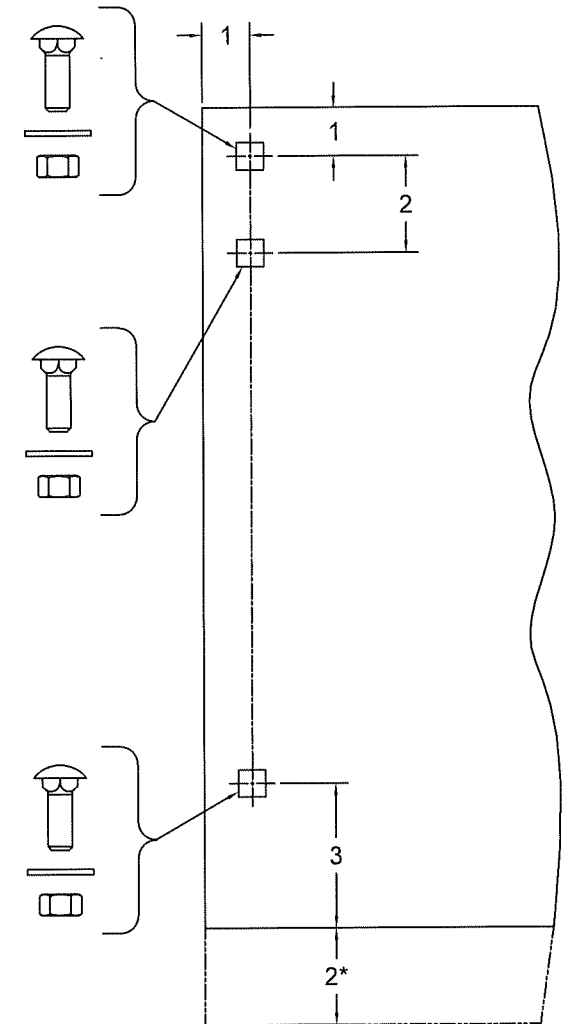


**⑦ WINDLOCK DETAIL**  
 CAST MALLEABLE IRON ASTM A47, GRADE 32510, OR  
 DUCTILE IRON PER ASTM A536 GRADE 65-45-12, GALVANIZED IN  
 ACCORDANCE WITH ASTM A123, GRADE 85 ZINC-COATING  
 1/2 SCALE

1/2-13 x 1 1/2"  
 CARRIAGE BOLT GR.5  
 1/2" FLAT WASHER  
 1/2-13 HEX NUT

1/2-13 x 1 1/2"  
 CARRIAGE BOLT GR.5  
 1/2" FLAT WASHER  
 1/2-13 HEX NUT  
 THIS FASTENER ON 17"  
 AND LARGER COILS

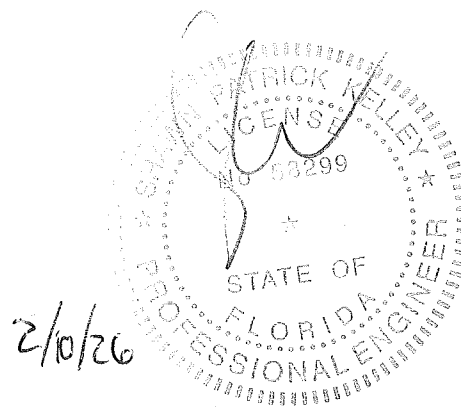
1/2-13 x 1 1/2"  
 CARRIAGE BOLT GR.5  
 1/2" FLAT WASHER  
 1/2-13 HEX NUT



**⑧ BRACKET MOUNTING DETAIL**  
 0.172 MIN. THICKNESS

\* 2" EXTENSION WHEN 8" AND LARGER SHAFT ASSEMBLY IS SUPPLIED  
 1/4 SCALE

**PRODUCT APPROVED**  
 as complying with the Florida  
 Building Code  
 NOA-No. 25-1022.08  
 Approval Date 04/16/2026  
 By *[Signature]*  
 Miami-Dade Product Control



CLOPAY CORPORATION  
 8585 DUKE BOULEVARD  
 MASON, OH 45040

P: 800.225.6729  
 F: 513.440.4853

Unless otherwise specified,  
 dimensions are in inches &  
 tolerances are:

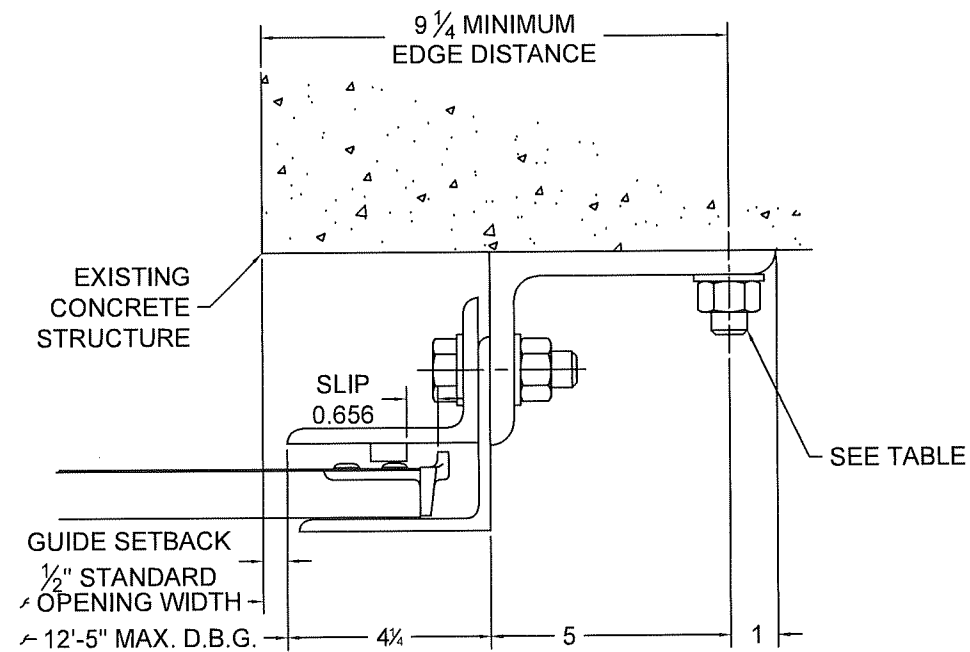
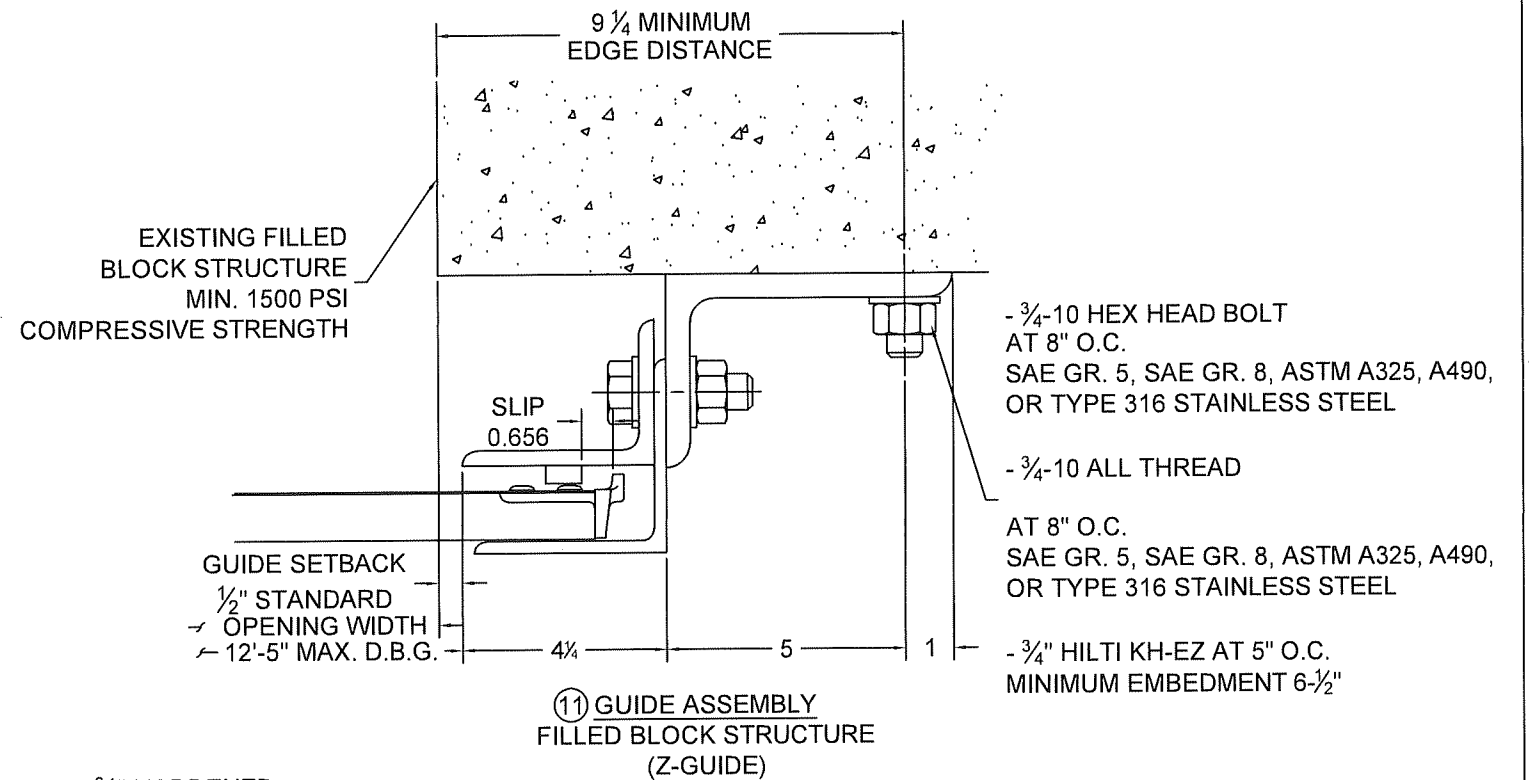
0.000 = +/- 0.031  
 FRACTIONAL = +/- 1/32  
 ANGLES = +/- 1/2 DEG

TITLE: MIAMI DADE COUNTY APPROVED  
 12'-5" WIDE 120 PSF 80 FPS  
 INSULATED ROLLING STEEL DOOR

DRAWN BY: KAD	SIZE: B	SCALE: AS NOTED	SHEET: 3/6
DWG NO: ES-16-121-CLO			

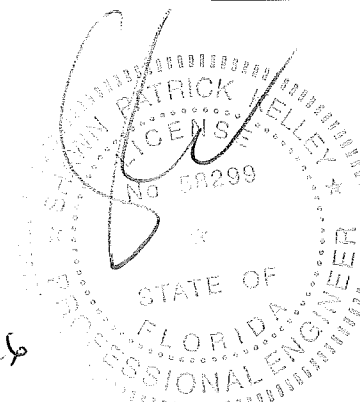
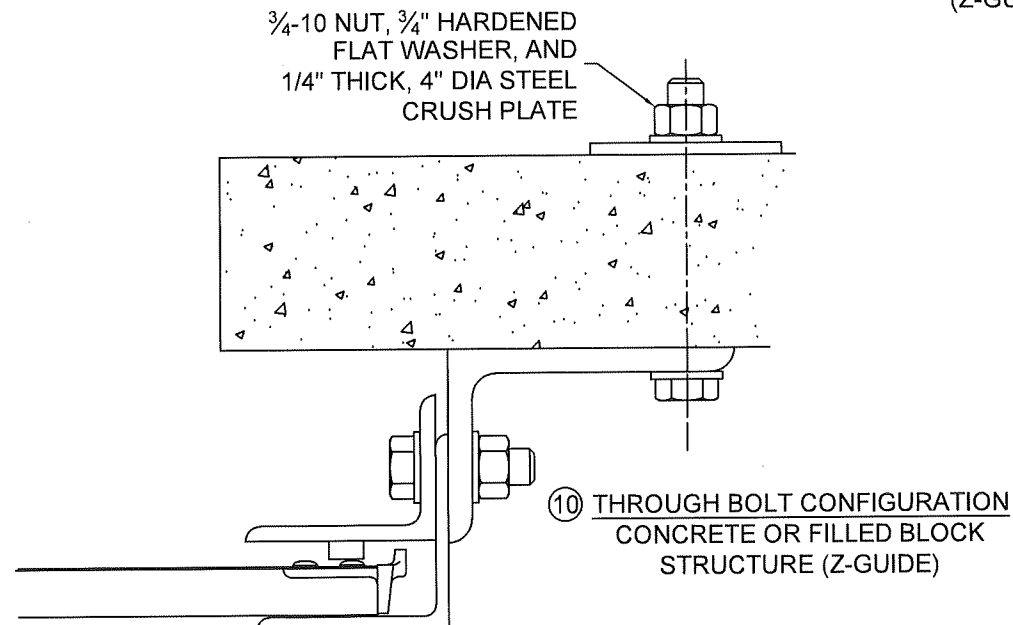
CONCRETE FASTENERS (4000PSI STRENGTH)				
FASTENER	TYPE	DIAMETER	MIN. EMBEDMENT	SPACING (IN)
SIMPSON STRONG-BOLT 2	CARBON STEEL	3/4"	5-3/4"	14
HILTI KWIK-BOLT 1			5-1/2"	18
POWERS POWER-STUD+ SD1			5-5/8"	12
HILTI KWIK-BOLT TZ2			5-1/2"	20
HILTI KH-EZ			6-1/4"	21
HILTI HVU2 ADHESIVE WITH HAS ANDCHOR RODS			6-5/8"	23
SIMPSON STRONG-BOLT 2	STAINLESS STEEL	3/4"	5-3/4"	21
POWERS POWER-STUD+ SD4			4-1/2"	17
HILTI KWIK-BOLT TZ2			5-1/2"	20
SIMPSON TITEN HD			6-1/4"	25
THROUGH BOLT	SAE GR5, SAE GR8, ASTM A325, ASTM A490, OR 316 STAINLESS STEEL		-	12

L'TR	REVISION	DATE	BY	E.C.O.
*	ORIGINAL ISSUE	02/02/2026	KAD	2398



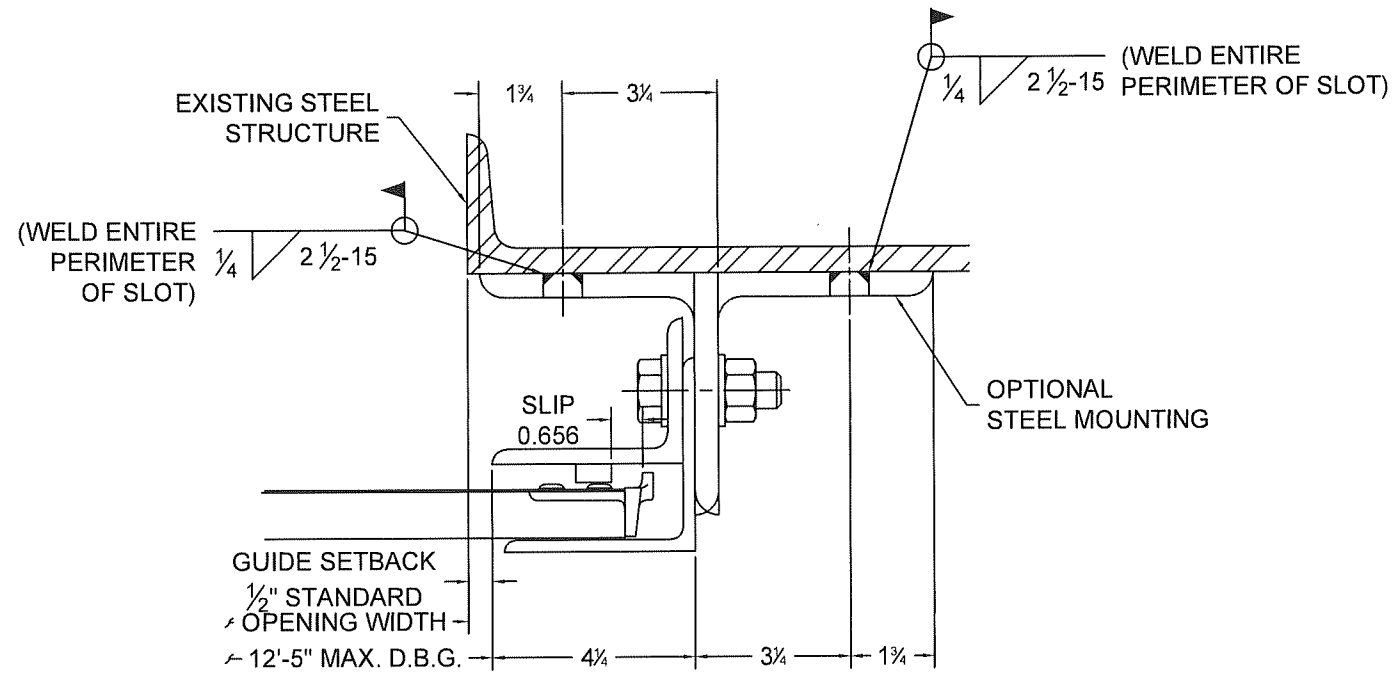
⑨ GUIDE ASSEMBLY CONCRETE STRUCTURE (Z-GUIDE)

**PRODUCT APPROVED**  
as complying with the Florida Building Code  
NOA-No. 25-1022.08  
Approval Date 04/16/2026  
By *[Signature]*  
Miami-Dade Product Control

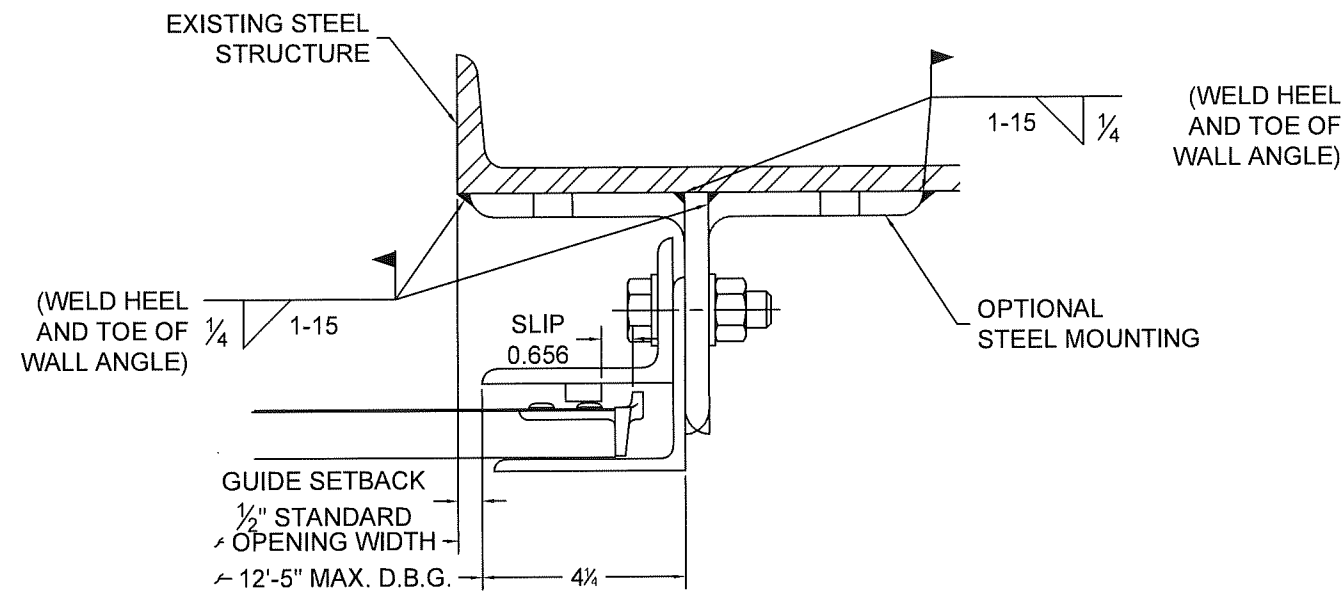


	CLOPAY CORPORATION 8585 DUKE BOULEVARD MASON, OH 45040	Unless otherwise specified, dimensions are in inches & tolerances are:  0.000 = +/- 0.031 FRACTIONAL = +/- 1/32 ANGLES = +/- 1/2 DEG
	P: 800.225.6729 F: 513.440.4853	DRAWN BY: KAD SIZE: B SCALE: AS NOTED SHEET: 4/6
TITLE: MIAMI DADE COUNTY APPROVED 12'-5" WIDE 120 PSF 80 FPS INSULATED ROLLING STEEL DOOR		DWG NO: ES-16-121-CLO

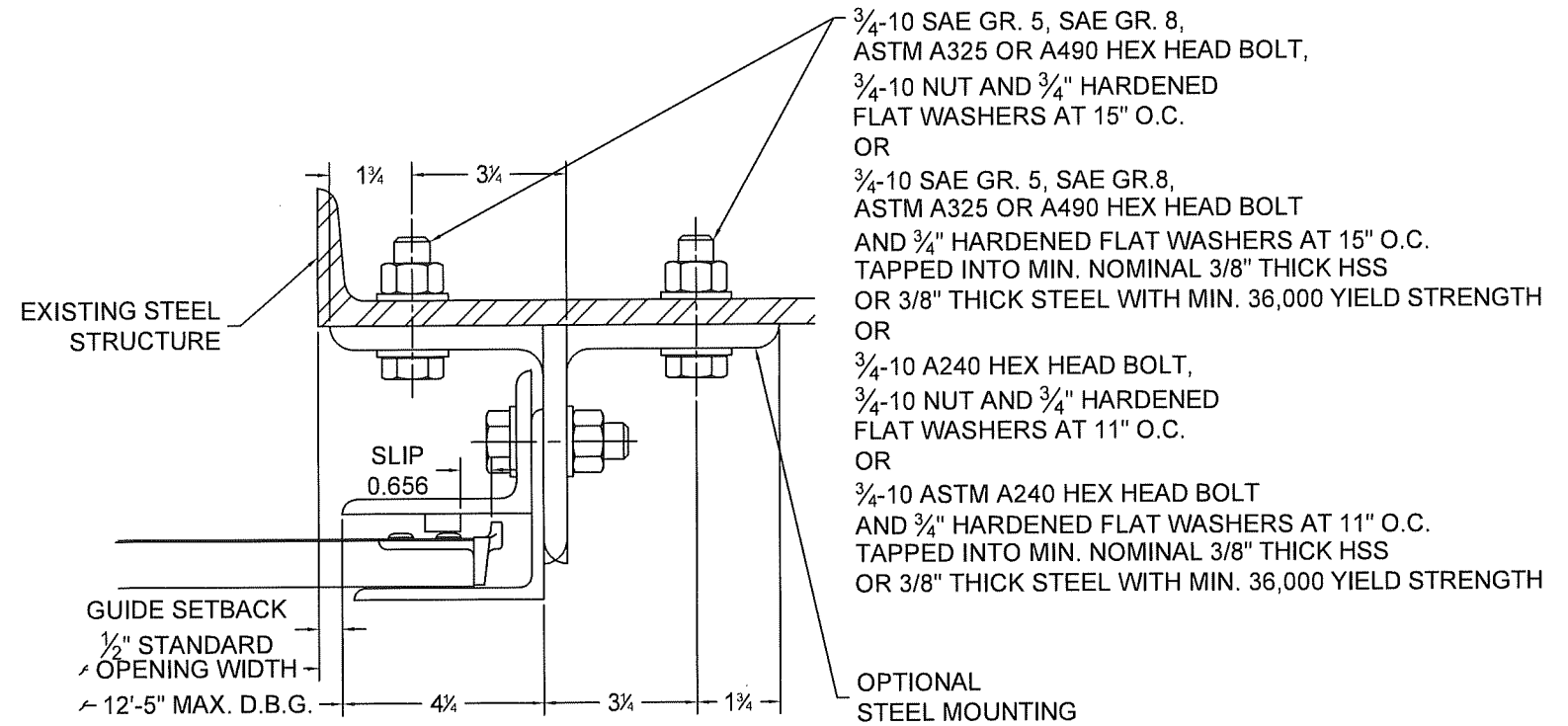
L'TR	REVISION	DATE	BY	E.C.O.
*	ORIGINAL ISSUE	02/02/2026	KAD	2398



12 GUIDE ASSEMBLY  
STEEL STRUCTURE  
(Z-GUIDE OR E-GUIDE)



13 GUIDE ASSEMBLY  
STEEL STRUCTURE  
(Z-GUIDE OR E-GUIDE)



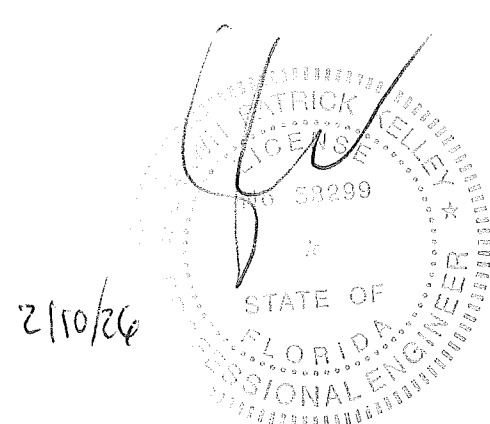
14 GUIDE ASSEMBLY  
STEEL STRUCTURE  
(Z-GUIDE OR E-GUIDE)

**PRODUCT APPROVED**  
as complying with the Florida  
Building Code

NOA-No. 25-1022.08

Approval Date 04/16/2026

By *[Signature]*  
Miami-Dade Product Control



CLOPAY CORPORATION  
8585 DUKE BOULEVARD  
MASON, OH 45040

P: 800.225.6729  
F: 513.440.4853

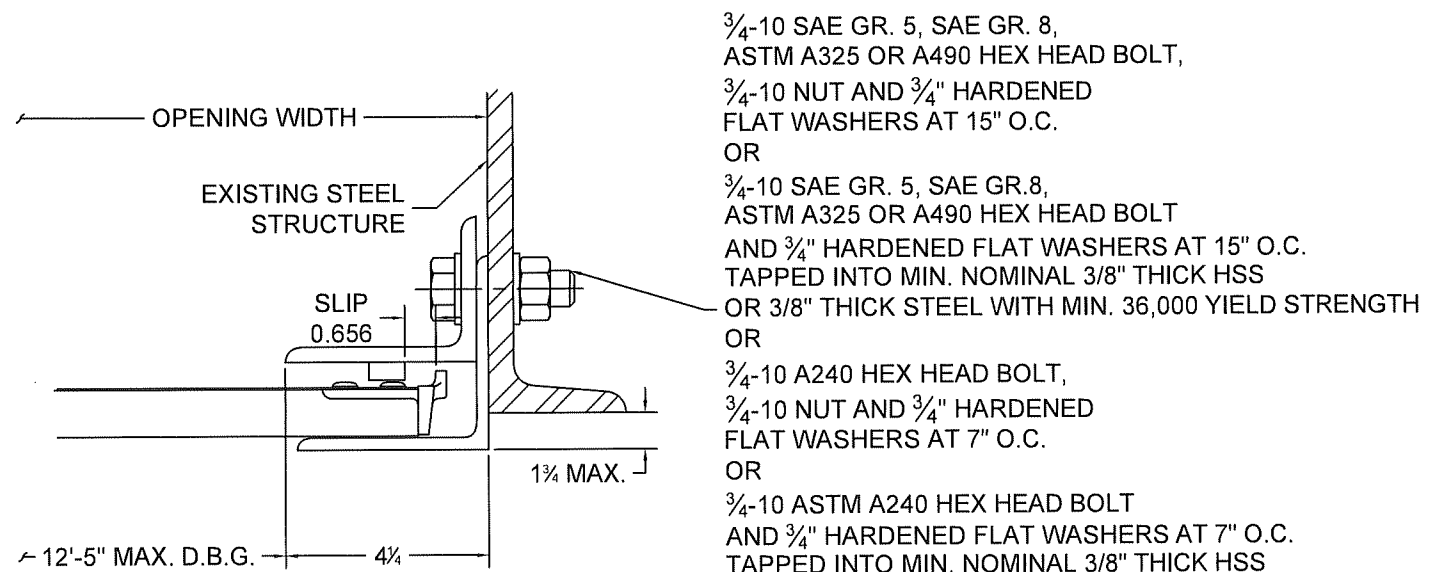
Unless otherwise specified,  
dimensions are in inches &  
tolerances are:

0.000 = +/- 0.031  
FRACTIONAL = +/- 1/32  
ANGLES = +/- 1/2 DEG

TITLE: MIAMI DADE COUNTY APPROVED  
12'-5" WIDE 120 PSF 80 FPS  
INSULATED ROLLING STEEL DOOR

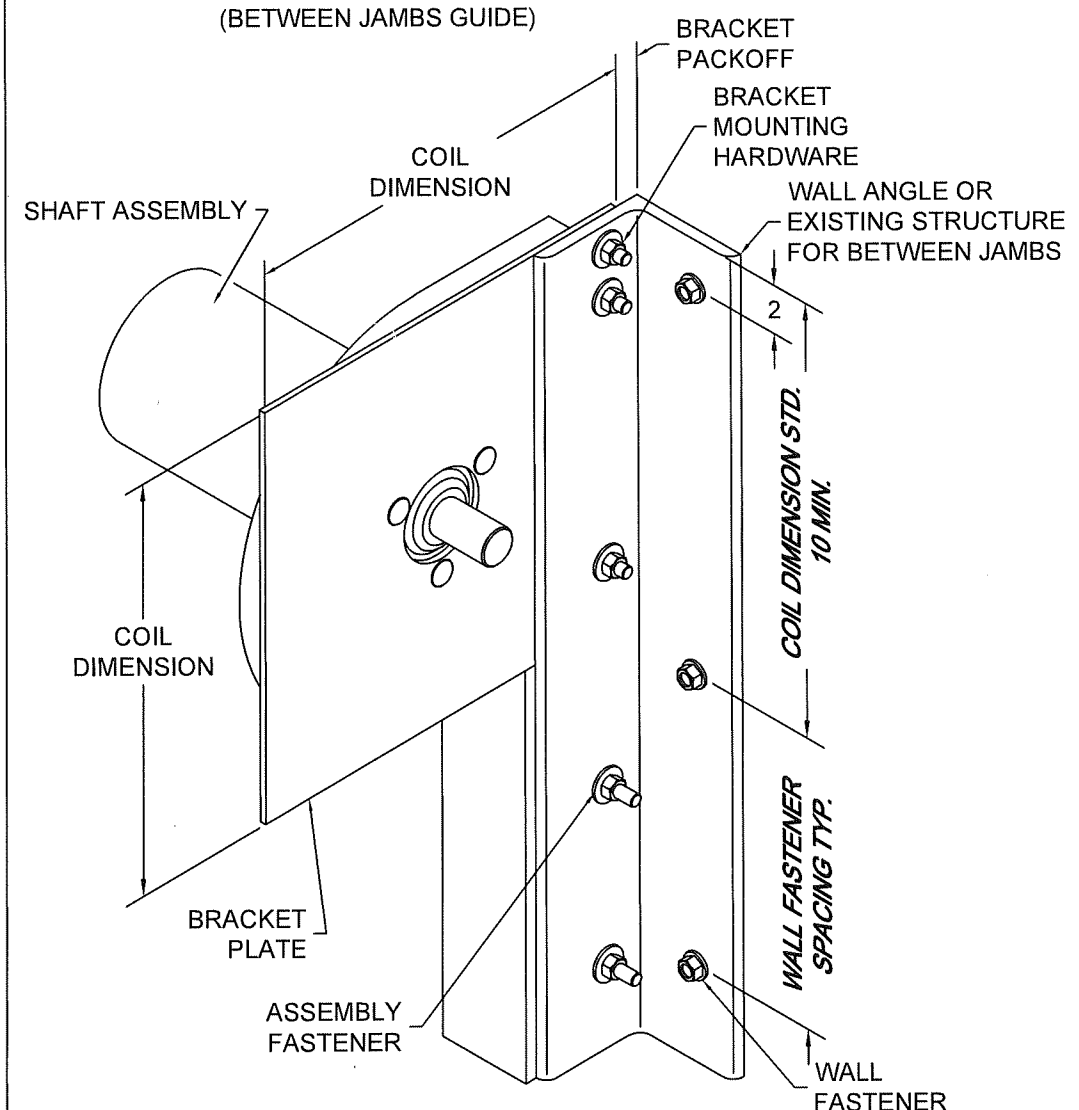
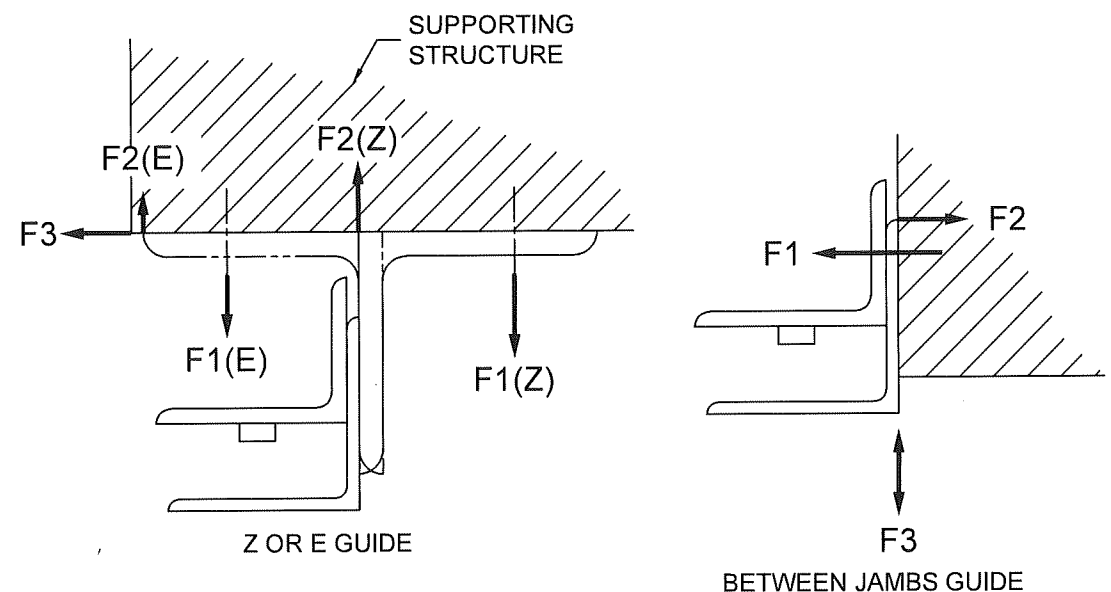
DRAWN BY: KAD	SIZE: B	SCALE: AS NOTED	SHEET: 5/6
DWG NO: ES-16-121-CLO			

L'TR	REVISION	DATE	BY	E.C.O.
*	ORIGINAL ISSUE	02/02/2026	KAD	2398



3/4-10 SAE GR. 5, SAE GR. 8,  
 ASTM A325 OR A490 HEX HEAD BOLT,  
 3/4-10 NUT AND 3/4" HARDENED  
 FLAT WASHERS AT 15" O.C.  
 OR  
 3/4-10 SAE GR. 5, SAE GR.8,  
 ASTM A325 OR A490 HEX HEAD BOLT  
 AND 3/4" HARDENED FLAT WASHERS AT 15" O.C.  
 TAPPED INTO MIN. NOMINAL 3/8" THICK HSS  
 OR 3/8" THICK STEEL WITH MIN. 36,000 YIELD STRENGTH  
 OR  
 3/4-10 A240 HEX HEAD BOLT,  
 3/4-10 NUT AND 3/4" HARDENED  
 FLAT WASHERS AT 7" O.C.  
 OR  
 3/4-10 ASTM A240 HEX HEAD BOLT  
 AND 3/4" HARDENED FLAT WASHERS AT 7" O.C.  
 TAPPED INTO MIN. NOMINAL 3/8" THICK HSS  
 OR 3/8" THICK STEEL WITH MIN. 36,000 YIELD STRENGTH

15 GUIDE ASSEMBLY  
 STEEL STRUCTURE  
 (BETWEEN JAMBS GUIDE)



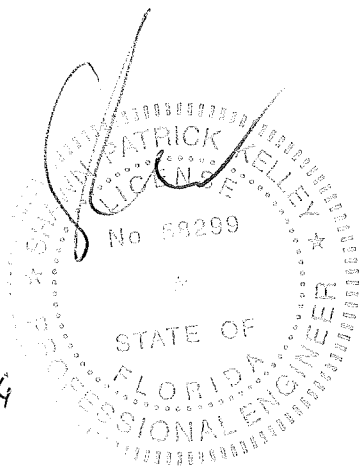
16 BRACKET MOUNTING / TOP WALL ANGLE FASTENING  
 BRACKET MOUNTING PER DETAIL 8 DEPICTED,  
 OTHER BRACKET MOUNTINGS ARE AVAILABLE  
 SCALE: NTS

**UNREDUCED WIND FORCES ON  
 BUILDING STRUCTURE (LBS / FOOT  
 OF HEIGHT)**

Z-GUIDE					
POSITIVE			NEGATIVE		
F1	F2	F3	F1	F2	F3
1705	935	2067	3334	4104	2067
E-GUIDE					
POSITIVE			NEGATIVE		
F1	F2	F3	F1	F2	F3
5146	4376	2067	4212	4982	2067
BETWEEN JAMBS GUIDE					
POSITIVE			NEGATIVE		
F1	F2	F3	F1	F2	F3
2800	733	770	10509	8442	770

**BUILDING DESIGNER NOTE:**  
 STRUCTURE MUST BE DESIGNED TO SUPPORT  
 F1, F2, AND F3 FORCES (LBS./FT. OF OPENING  
 HEIGHT) AT EACH JAMB.

**PRODUCT APPROVED**  
 as complying with the Florida  
 Building Code  
 NOA-No. 25-1022.08  
 Approval Date 04/16/2026  
 By *[Signature]*  
 Miami-Dade Product Control



	CLOPAY CORPORATION 8585 DUKE BOULEVARD MASON, OH 45040  P: 800.225.6729 F: 513.440.4853	Unless otherwise specified, dimensions are in inches & tolerances are:  0.000 = +/- 0.031 FRACTIONAL = +/- 1/32 ANGLES = +/- 1/2 DEG
	<b>TITLE: MIAMI DADE COUNTY APPROVED          12'-5" WIDE 120 PSF 80 FPS          INSULATED ROLLING STEEL DOOR</b>	DRAWN BY: <b>KAD</b> SIZE: <b>B</b> SCALE: <b>AS NOTED</b> SHEET: <b>6/6</b> DWG NO: <b>ES-16-121-CLO</b>