



DEPARTMENT OF REGULATORY AND ECONOMIC RESOURCES (RER)  
BOARD AND CODE ADMINISTRATION DIVISION

**NOTICE OF ACCEPTANCE (NOA)**

MIAMI-DADE COUNTY  
PRODUCT CONTROL SECTION  
11805 SW 26 Street, Room 208  
Miami, Florida 33175-2474  
T (786) 315-2590 F (786) 315-2599  
[www.miamidade.gov/economy](http://www.miamidade.gov/economy)

**K2 Systems, LLC**  
**4665 North Ave. Suite 1**  
**Oceanside, CA 92056**

**SCOPE:**

This NOA is being issued under the applicable rules and regulations governing the use of construction materials. The documentation submitted has been reviewed and accepted by Miami-Dade County RER-Product Control Section to be used in Miami-Dade County and other areas where allowed by the Authority Having Jurisdiction (AHJ).

This NOA shall not be valid after the expiration date stated below. The Miami-Dade County Product Control Section (In Miami-Dade County) and/ or the AHJ (in areas other than Miami-Dade County) reserve the right to have this product or material tested for quality assurance purposes. If this product or material fails to perform in the accepted manner, the manufacturer will incur the expense of such testing and the AHJ may immediately revoke, modify, or suspend the use of such product or material within their jurisdiction. RER reserves the right to revoke this acceptance if it is determined by Miami-Dade County Product Control Section that this product or material fails to meet the requirements of the applicable building code.

This product is approved as described herein and has been designed to comply with the Florida Building Code, including the High Velocity Hurricane Zone.

**DESCRIPTION: Splice Foot and Drop N Lock Aluminum Solar Mounts**

**APPROVAL DOCUMENT:** Drawing titled "Splice Foot X, Splice Foot XL and K2 Flash Kit and Drop N Lock Kit w/ multiple flashings", sheets 1 through 24 of 24, prepared by K2 Systems, dated 05/27/2024 and 02/09/2026, signed and sealed by Paul K. Zacher, P.E., bearing the Miami-Dade County Product Control revision stamp with the Notice of Acceptance number and expiration date by the Miami-Dade County Product Control Section.

**MISSILE IMPACT RATING: None**

**LABELING:** Each box shall bear a permanent label with the manufacturer's name or logo, city, state and following statement: "Miami-Dade County Product Control Approved or MDCPCA", unless otherwise noted herein.

**Limitation: The allowable fastener uplift and lateral on drawing sheets 3 and 6 are total (for the 2 fasteners).**

**RENEWAL** of this NOA shall be considered after a renewal application has been filed and there has been no change in the applicable building code negatively affecting the performance of this product.

**TERMINATION** of this NOA will occur after the expiration date or if there has been a revision or change in the materials, use, and/or manufacture of the product or process. Misuse of this NOA as an endorsement of any product, for sales, advertising or any other purposes shall automatically terminate this NOA. Failure to comply with any section of this NOA shall be cause for termination and removal of NOA.

**ADVERTISEMENT:** The NOA number preceded by the words Miami-Dade County, Florida, and followed by the expiration date may be displayed in advertising literature. If any portion of the NOA is displayed, then it shall be done in its entirety.

**INSPECTION:** A copy of this entire NOA shall be provided to the user by the manufacturer or its distributors and shall be available for inspection at the job site at the request of the Building Official.

This NOA **revises NOA # 24-0507.06** and consists of this page 1, evidence pages E-1, E-2, E-3, E-4 and E-5, as well as approval document mentioned above.

The submitted documentation was reviewed by **Carlos M. Utrera, P.E.**



03/11/26

**NOA No: 26-0120.02**  
**Expiration Date: February 17, 2027**  
**Approval Date: March 19, 2026**

**NOTICE OF ACCEPTANCE: EVIDENCE SUBMITTED**

**1. Evidence submitted under previous NOAs**

**A. DRAWINGS**

1. Drawing titled “Splice Foot X and Everflash eComp Kit”, sheets 1 through 9 of 9, prepared by K2 Systems, dated on 01/11/2022, signed and sealed by Paul K. Zacher, P.E. on 05/09/2022.

**B. TESTS “Submitted under NOA # 21-0727.03”**

1. Test report on Uplift and Shear Allowable Loads of the eComp Flashing Solar Mount per ASTM D7147-11, prepared by Intertek, Test Report No. **M1451.02-119-18 R0**, dated 06/29/2021, signed and sealed by Daniel C. Culbert, P.E.
2. Test report on Uplift and Shear Allowable Loads of the Splice Foot per ASTM D7147-11, prepared by Intertek, Test Report No. **M1453.02-119-18 R0**, dated 06/29/2021, signed and sealed by Daniel C. Culbert, P.E.
3. Test report on Wind Driven Rain Resistance of the eComp Flashing per TAS 100(A)-95, prepared by Intertek, Test Report No. **M1451.01-109-18**, dated 05/18/2021, signed and sealed by Daniel C. Culbert, P.E.
4. Test report on Wind Driven Rain Resistance of the Splice Foot per TAS 100(A)-95, prepared by Intertek, Test Report No. **M1453.01-109-18**, dated 05/18/2021, signed and sealed by Daniel C. Culbert, P.E.

**C. CALCULATIONS “Submitted under NOA # 21-0727.03”**

1. Anchor calculations prepared by PZ Structural Engineers, dated 01/24/2022, signed and sealed by Paul K. Zacher, P.E.

**D. MATERIAL CERTIFICATIONS**

1. None.

**E. QUALITY ASSURANCE**

1. Miami-Dade Department of Regulatory and Economic Resources (RER).

**F. STATEMENTS “Submitted under NOA # 21-0727.03”**

1. Statement letter of code conformance to the 7<sup>th</sup> edition (2020) of the FBC issued by PZ Structural Engineers, dated 01/24/2022, signed and sealed by Paul K. Zacher, P.E.
2. Statement letter of no financial interest issued by PZ Structural Engineers, dated 07/13/2021, signed and sealed by Paul K. Zacher, P.E.



---

**Carlos M. Utrera, P.E.**  
**Product Control Examiner**  
**NOA No: 26-0120.02**  
**Expiration Date: February 17, 2027**  
**Approval Date: March 19, 2026**

**NOTICE OF ACCEPTANCE: EVIDENCE SUBMITTED**

**2. Evidence submitted under NOA # 22-0719.06**

**A. DRAWINGS**

1. Drawing titled “Splice Foot X, Splice Foot XL and Everflash eComp Kit”, sheets 1 through 12 of 12, prepared by K2 Systems, dated on 01/11/2022, with revision C dated 07/07/2022, signed and sealed by Paul K. Zacher, P.E.

**B. TESTS**

1. Test report on Uplift and Shear Allowable Loads of the Splice Foot XL Solar Mount per ASTM D7147-11, prepared by Intertek, Test Report No. **N8734.01-119-18-R0**, dated 06/29/2022, signed and sealed by Vinu J. Abraham, P.E.
3. Test report on Wind Driven Rain Resistance of the Splice Foot XL Solar Mount per TAS 100(A)-95, prepared by Intertek, Test Report No. **N2321.01-109-18**, dated 02/23/2022, signed and sealed by Vinu J. Abraham, P.E.

**C. CALCULATIONS**

1. Anchor calculations prepared by PZ Structural Engineers, dated 07/11/2022, signed and sealed by Paul K. Zacher, P.E.

**D. MATERIAL CERTIFICATIONS**

1. None.

**E. QUALITY ASSURANCE**

1. Miami-Dade Department of Regulatory and Economic Resources (RER).

**F. STATEMENTS**

1. Statement letter of code conformance to the 7<sup>th</sup> edition (2020) of the FBC issued by PZ Structural Engineers, dated 07/11/2022, signed and sealed by Paul K. Zacher, P.E.
2. Statement letter of no financial interest issued by PZ Structural Engineers, dated 07/11/2022, signed and sealed by Paul K. Zacher, P.E.



---

**Carlos M. Utrera, P.E.**  
**Product Control Examiner**  
**NOA No: 26-0120.02**  
**Expiration Date: February 17, 2027**  
**Approval Date: March 19, 2026**

**NOTICE OF ACCEPTANCE: EVIDENCE SUBMITTED**

**3. Evidence submitted under NOA # 23-0606.06 and NOA # 23-1220.02**

**A. DRAWINGS**

1. Drawing titled “Splice Foot X, Splice Foot XL and K2 Flash Kit”, sheets 1 through 17 of 17, prepared by K2 Systems, dated on 10/31/2023, signed and sealed by Paul K. Zacher, P.E.

**B. TESTS “Submitted under NOA # 23-0606.06”**

1. Test report on Uplift and Shear Allowable Loads of the K2 Flash Solar Mount per ASTM D7147-11, prepared by Intertek, Test Report No. **N9355.02-119-18**, dated 10/11/2022, signed and sealed by Tanya A. Dolby, P.E.
3. Test report on Wind Driven Rain Resistance of the K2 Flash Solar Mount per TAS 100(A)-95, prepared by Intertek, Test Report No. **N9355.01-109-18**, dated 02/24/2023, signed and sealed by Tanya A. Dolby, P.E.

**C. CALCULATIONS “Submitted under NOA # 23-0606.06”**

1. Anchor calculations prepared by PZ Structural Engineers, dated 05/31/2023, signed and sealed by Paul K. Zacher, P.E.

**D. MATERIAL CERTIFICATIONS**

1. None.

**E. QUALITY ASSURANCE**

1. Miami-Dade Department of Regulatory and Economic Resources (RER).

**F. STATEMENTS**

1. Statement letter of code conformance to the 8<sup>th</sup> edition (2023) of the FBC, issued by PZ Structural Engineers, dated 10/31/2023, signed and sealed by Paul K. Zacher, P.E.
2. Statement letter of no financial interest, issued by PZ Structural Engineers, dated 10/31/2023, signed and sealed by Paul K. Zacher, P.E.

**“Submitted under NOA # 23-0606.06”**

3. Statement letter of code conformance to the 7<sup>th</sup> edition (2020) of the FBC, issued by PZ Structural Engineers, dated 05/31/2023, signed and sealed by Paul K. Zacher, P.E.
4. Statement letter of no financial interest, issued by PZ Structural Engineers, dated 05/31/2023, signed and sealed by Paul K. Zacher, P.E.



---

**Carlos M. Utrera, P.E.**  
**Product Control Examiner**  
**NOA No: 26-0120.02**  
**Expiration Date: February 17, 2027**  
**Approval Date: March 19, 2026**

**NOTICE OF ACCEPTANCE: EVIDENCE SUBMITTED**

**4. Evidence submitted under NOA # 24-0401.04**

**A. DRAWINGS**

1. Drawing titled “Splice Foot X, Splice Foot XL and K2 Flash Kit and Drop N Lock Kit”, sheets 1 through 22 of 22, prepared by K2 Systems, dated 10/31/2023 and 01/30/2024, signed and sealed by Paul K. Zacher, P.E.

**B. TESTS**

1. Test report on Uplift and Shear Allowable Loads of the Drop N Lock Solar Mount per ASTM D7147-11, prepared by Intertek, Test Report No. **Q8388.02-119-18**, dated 02/26/2024, signed and sealed by Tanya A. Dolby, P.E.
2. Test report on Wind Driven Rain Resistance of the Drop N Lock, Flat Tile Solar Mount per TAS 100(A)-95, prepared by Intertek, Test Report No. **Q8388.01-119-18**, dated 03/21/2024, signed and sealed by Tanya A. Dolby, P.E.
3. Test report on Wind Driven Rain Resistance of the Drop N Lock, W Tile Solar Mount per TAS 100(A)-95, prepared by Intertek, Test Report No. **Q8395.01-119-18**, dated 03/21/2024, signed and sealed by Tanya A. Dolby, P.E.

**C. CALCULATIONS**

1. Anchor calculations prepared by PZ Structural Engineers, dated 03/25/2024, signed and sealed by Paul K. Zacher, P.E.

**D. MATERIAL CERTIFICATIONS**

1. None.

**E. QUALITY ASSURANCE**

1. Miami-Dade Department of Regulatory and Economic Resources (RER).

**F. STATEMENTS**

1. Statement letter of code conformance to the 8<sup>th</sup> edition (2023) of the FBC, issued by PZ Structural Engineers, dated 03/25/2024, signed and sealed by Paul K. Zacher, P.E.
2. Statement letter of no financial interest, issued by PZ Structural Engineers, dated 03/25/2024, signed and sealed by Paul K. Zacher, P.E.



---

**Carlos M. Utrera, P.E.**  
**Product Control Examiner**  
**NOA No: 26-0120.02**  
**Expiration Date: February 17, 2027**  
**Approval Date: March 19, 2026**

**NOTICE OF ACCEPTANCE: EVIDENCE SUBMITTED**

**5. Evidence submitted under NOA # 24-0507.06 and new**

**A. DRAWINGS**

1. Drawing titled “Splice Foot X, Splice Foot XL and K2 Flash Kit and Drop N Lock Kit w/ multiple flashings”, sheets 1 through 24 of 24, prepared by K2 Systems, dated 05/27/2024 and 02/09/2026, signed and sealed by Paul K. Zacher, P.E.

**B. TESTS**

<u>No.</u>	<u>Test Report</u>	<u>Testing Standard</u>	<u>Date</u>	<u>Seal and Signature</u>
1	T1708.01-450-18 (R0)	TAS 100(A)-23	01/13/26	Tanya A. Dolby, P.E.
2	T1709.01-450-18 (R0)	TAS 100(A)-23	01/13/26	Tanya A. Dolby, P.E.
3	T1708.03-450-18 (R0)	TAS 100(A)-23	01/13/26	Tanya A. Dolby, P.E.
4	T1708.04-450-18 (R0)	TAS 100(A)-23	01/08/26	Tanya A. Dolby, P.E.

5. Test report on Uplift and Shear Ultimate Loads of the Drop N Lock 4.5 in Post Rafter and Deck Solar Mount per ASTM D7147-21, prepared by Intertek, Test Report No. **S6573.02-119-18**, dated 07/25/2025, signed and sealed by Tanya A. Dolby, P.E.

6. Test report on Uplift and Shear Ultimate Loads of the Drop N Lock 6 in Post Rafter Solar Mount per ASTM D7147-21, prepared by Intertek, Test Report No. **S6573.01-119-18**, dated 07/25/2025, signed and sealed by Tanya A. Dolby, P.E.

**C. CALCULATIONS**

1. Anchor calculations prepared by PZ Structural Engineers, dated 03/29/2024, signed and sealed by Paul K. Zacher, P.E.

**D. MATERIAL CERTIFICATIONS**

1. None.

**E. QUALITY ASSURANCE**

1. Miami-Dade Department of Regulatory and Economic Resources (RER).

**F. STATEMENTS**

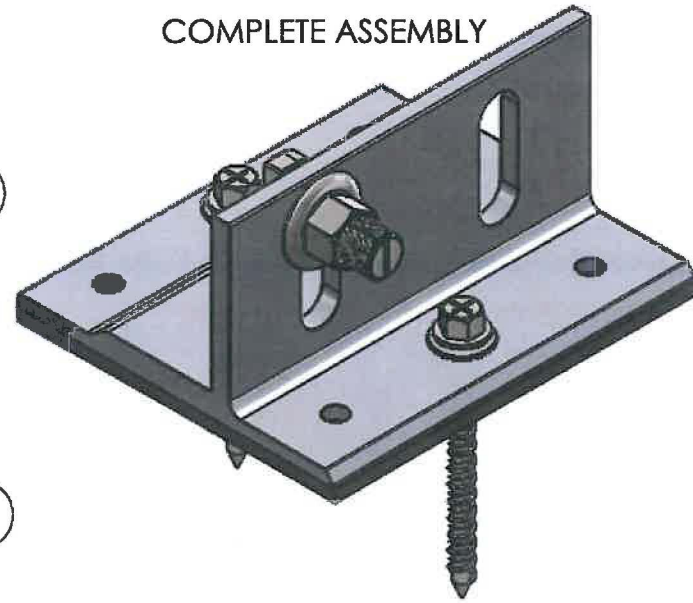
1. Statement letter of code conformance to the 8<sup>th</sup> edition (2023) of the FBC, issued by PZ Structural Engineers, dated 03/29/2024, signed and sealed by Paul K. Zacher, P.E.



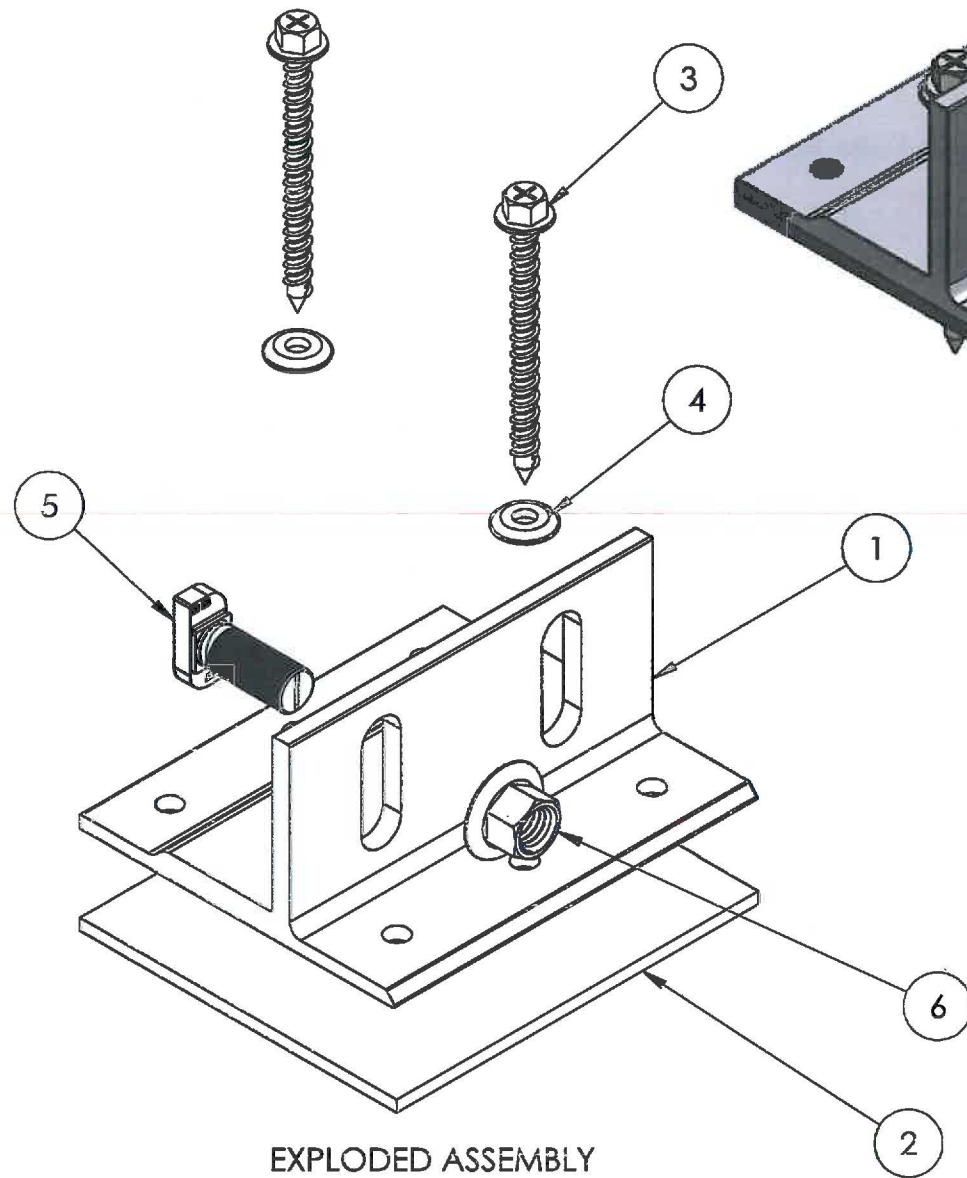
---

**Carlos M. Utrera, P.E.**  
**Product Control Examiner**  
**NOA No: 26-0120.02**  
**Expiration Date: February 17, 2027**  
**Approval Date: March 19, 2026**

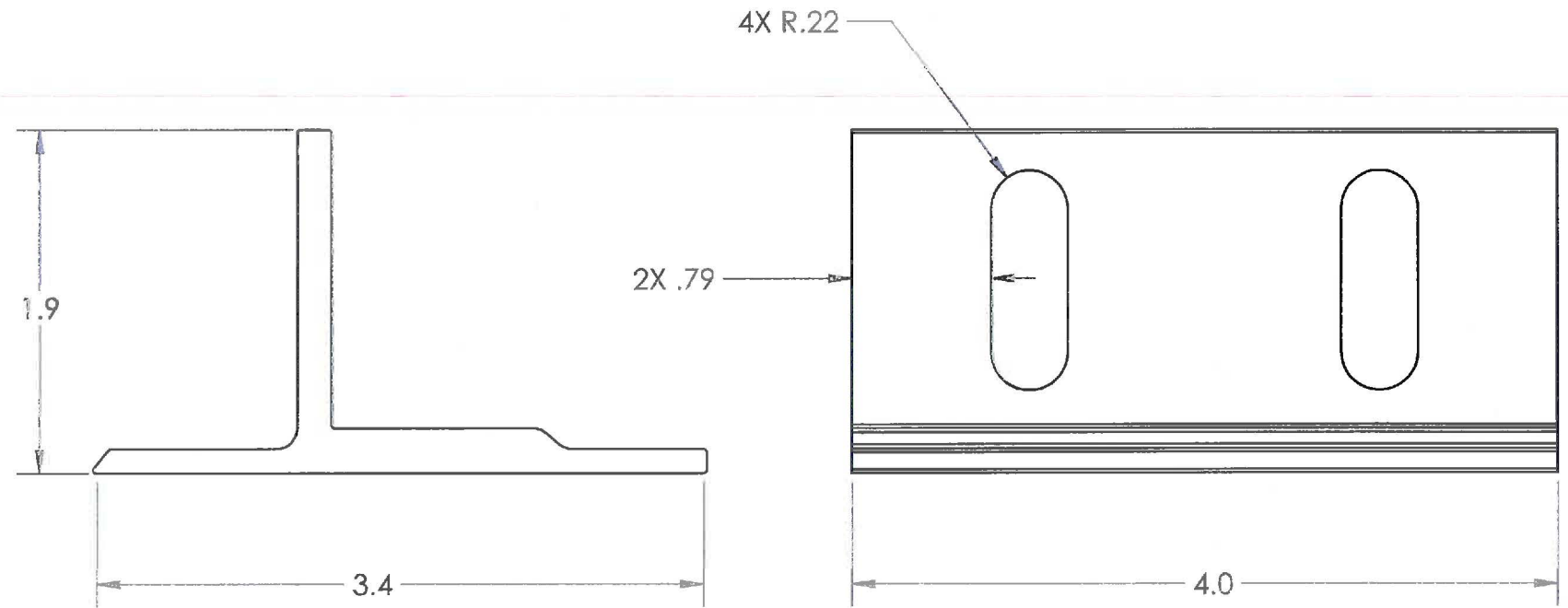
COMPLETE ASSEMBLY



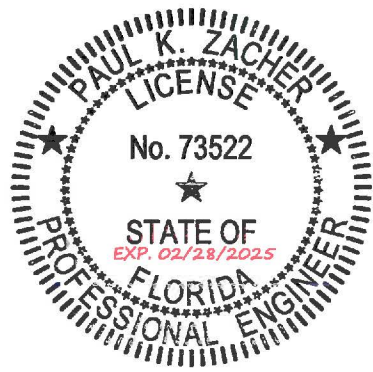
BILL OF MATERIALS				
ITEM	PART NUMBER	DESCRIPTION	QTY	ALLOY MATERIAL
1	4000113	SPLICE FOOT X	1	AL 6005A
2	4000114	SPLICE FOOT BUTYL, 3 1/2"X4"	1	N/A
3	4000164	K2 WOOD SCREW MINI	2	STAINLESS STEEL
4	4000164	SEALING WASHER	2	SS AND EPDM
5	4000571	T-BOLT 28/15 M10X25 SS	1	STAINLESS STEEL
6	4000573	HEX FLANGE NUT SERR, SS, M10	1	STAINLESS STEEL



EXPLODED ASSEMBLY



SPLICE FOOT X DIMENSIONS



*Handwritten signature in red ink.*

**PRODUCT REVISED**  
 as complying with the Florida  
 Building Code  
 NOA-No. 26-0120.02  
 Expiration Date 02/17/2027  
 By *[Signature]*  
 Miami-Dade Product Control

DESCRIPTION:

SPLICE FOOT X KIT ASSEMBLY

REVISION	DATE	DESCRIPTION
A	01/11/2022	INITIAL RELEASE
B	5/27/2024	TEMPLATE UPDATE

DRAWN BY  
 R. ESTRADA  
 A. VIZCARRA

Project:

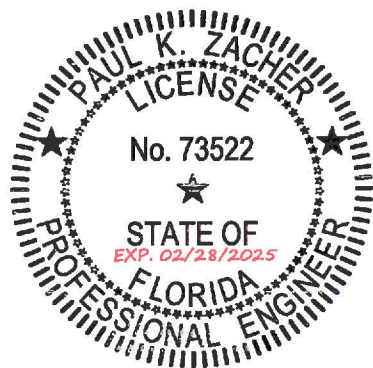
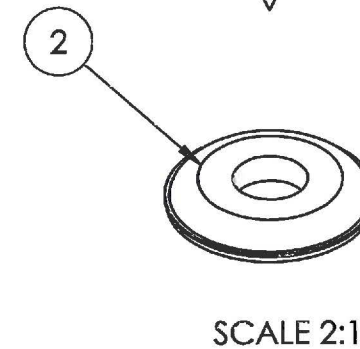
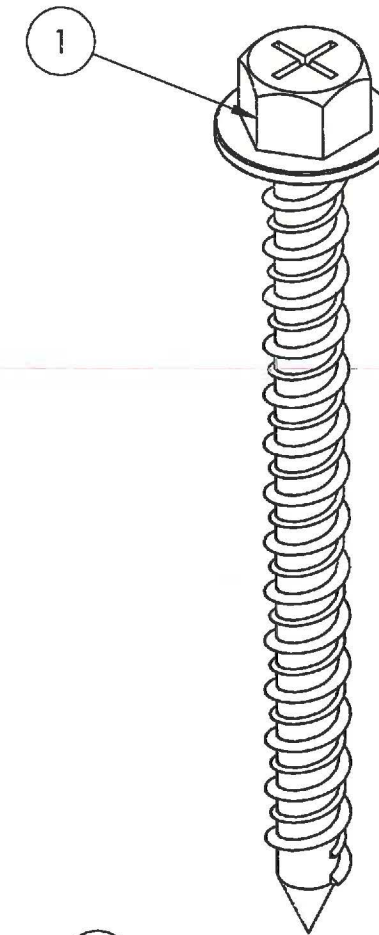
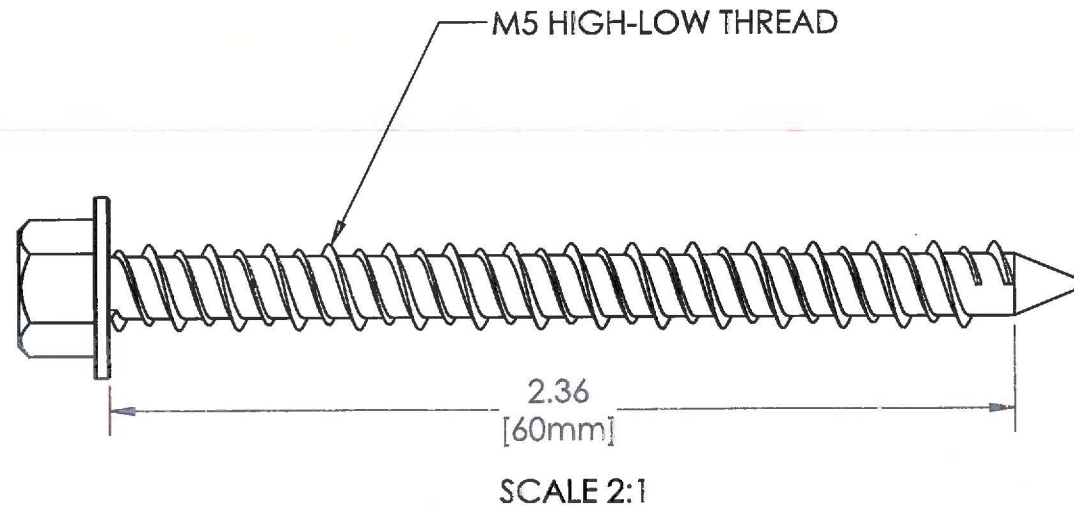
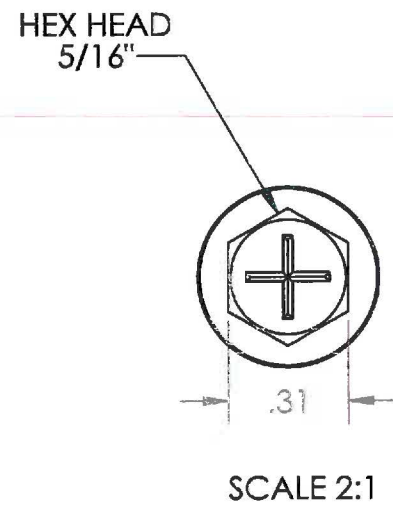
Miami Dade County NOA

**K2 Systems**  
 4665 North Avenue Suite 1  
 Oceanside, CA 92056  
 phone 760.301.5300

NOTES:

1. ALL DIMENSIONS ARE mm UNLESS OTHERWISE SPECIFIED.
2. DIMENSIONS AND TOLERANCE SHOWN ARE AFTER PLATING AND/OR FINISH.
3. PART IS TO BE FREE OF BURRS AND SHARP EDGES.
4. ANY MATERIAL DEVIATION FROM SPECIFIED MATERIAL MUST BE APPROVED BY K2.
5. PARTS SHALL NOT HAVE OILS, RESIDUES, OR OTHER SUBSTANCES ON THEIR SURFACE.
6. LAG SCREW MATERIAL: 18-8 STAINLESS STEEL

BILL OF MATERIALS				
ITEM	PART NUMBER	DESCRIPTION	QTY	ALLOY MATERIAL
1	4000164	K2 WOOD SCREW MINI	1	STAINLESS STEEL
2	4000164	SEALING WASHER	1	SS AND EPDM



**PRODUCT REVISED**  
 as complying with the Florida  
 Building Code  
 NOA-No. 26-0120.02  
 Expiration Date 02/17/2027  
 By *R. Estrada*  
 Miami-Dade Product Control

DESCRIPTION:

K2 WOOD SCREW MINI DETAIL

REVISION	DATE	DESCRIPTION
A	01/11/2022	INITIAL RELEASE
B	05/27/2024	TEMPLATE UPDATE

DRAWN BY  
 R. ESTRADA  
 A. VIZCARRA

Project:

Miami Dade County NOA

**SPLICE FOOT X FOR COMPOSITION SHINGLE ROOF MOUNTING**

REFER TO K2 ENGINEERING CHARTS FOR APPLCABLE CROSSRAIL SPANS

FOR USE AS A RAIL SPLICE, DISTANCE TO THE NEXT SPLICE FOOT X MOUNT MUST BE EQUAL OR LESS THAN THE MAX ALLOWABLE ATTACHMENT SPAN PER K2 ENGINEERING CHARTS

NO PILOT HOLE REQUIRED FOR SELF DRILLING SCREWS

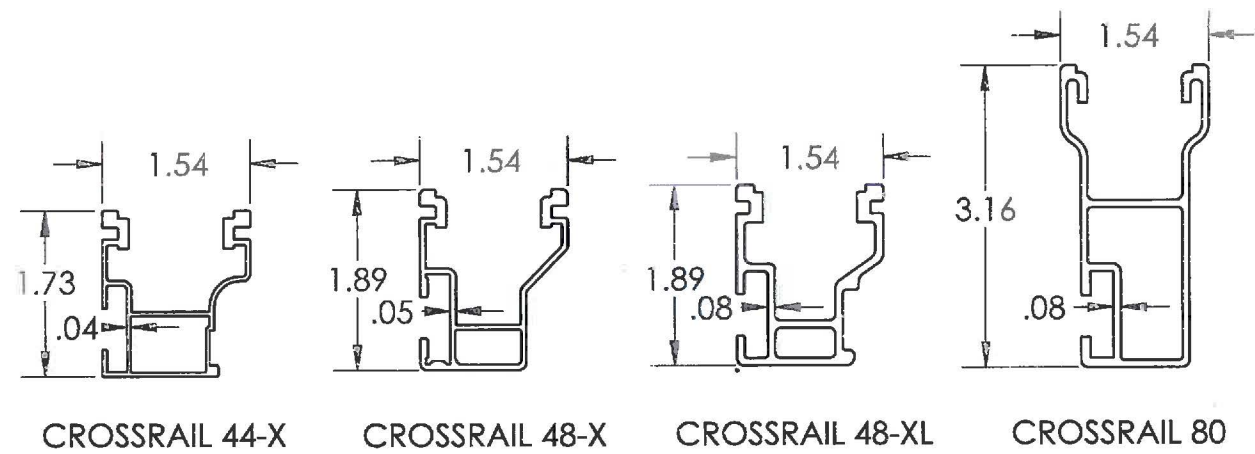
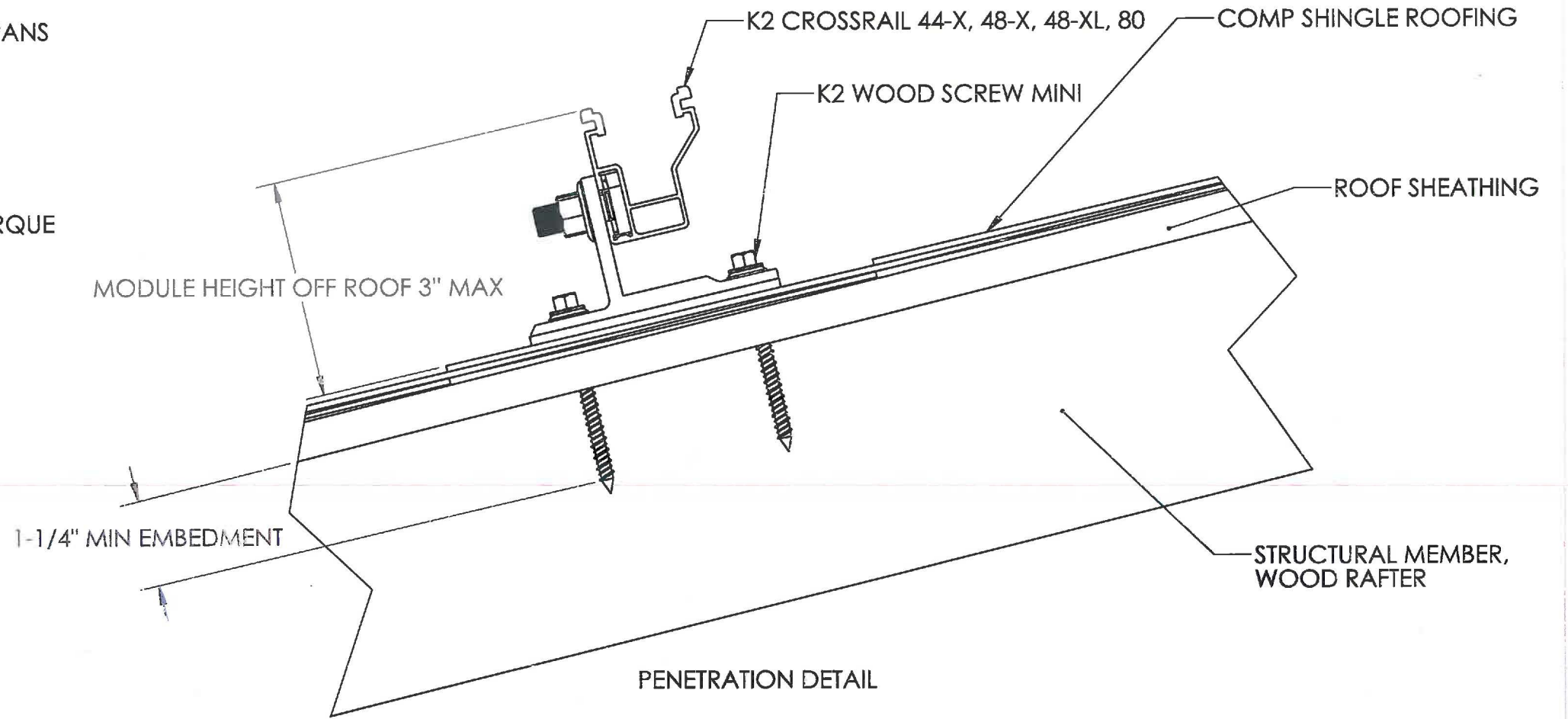
REFER TO K2 CROSSRAIL INSTLATION MANUAL FOR HARDWARE TORQUE

**STRUCTURAL MEMBER SPECIFICATIONS:**

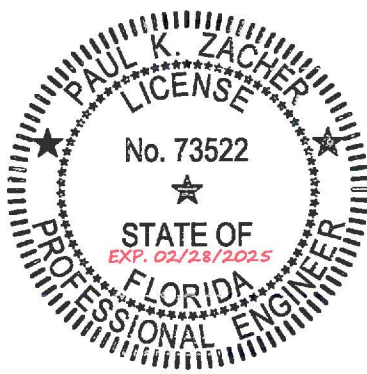
MINIMUM WOOD GRADE = SPF #2  
MINIMUM SPECIFIC GRAVITY = 0.42

ALLOWABLE FASTENER UPLIFT = 507.7 LBS  
ALLOWABLE FASTENER LATERAL = 216 LBS

MINIMUM FASTENER EDGE DISTANCE = 0.3"  
MINIMUM FASTENER END DISTANCE = 1.4"



**PRODUCT REVISED**  
as complying with the Florida Building Code  
NOA-No. 26-0120.02  
Expiration Date 02/17/2027  
By *R. Estrada*  
Miami-Dade Product Control



**DESCRIPTION:**

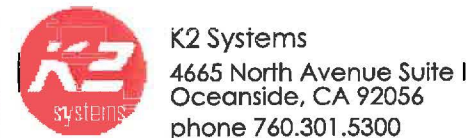
SPLICE FOOT X ATTACHMENT DETAIL

REVISION	DATE	DESCRIPTION
A	01/11/2022	INITIAL RELEASE
B	5/27/2024	TEMPLATE UPDATE

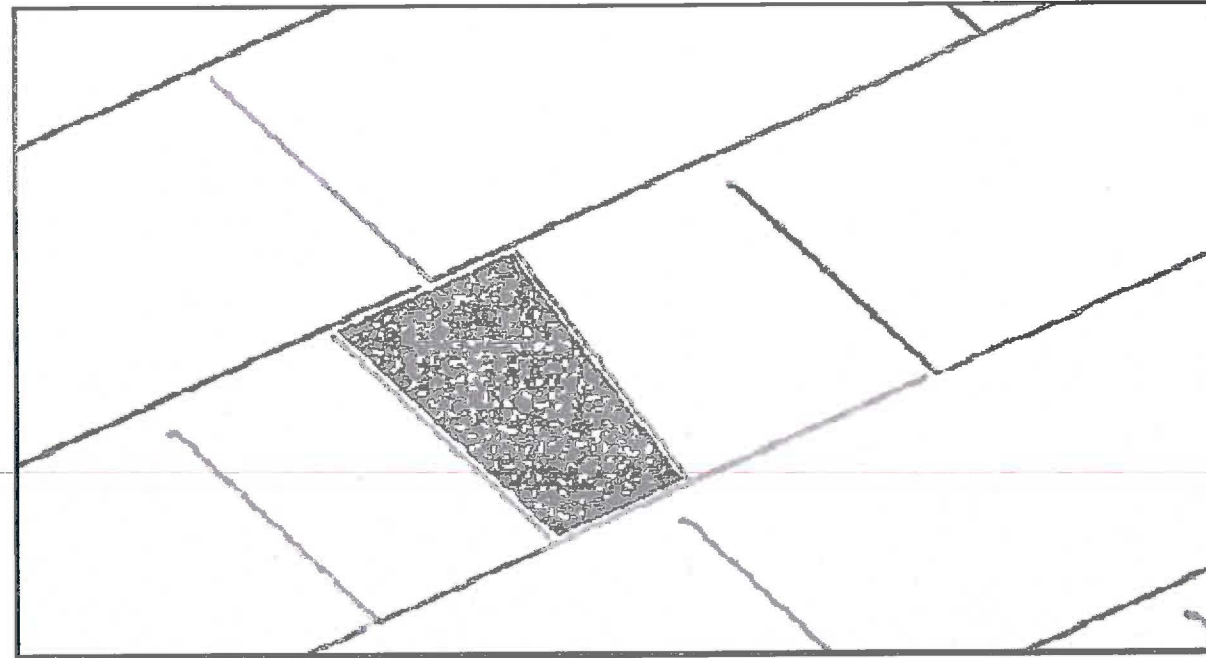
DRAWN BY  
R. ESTRADA  
A. VIZCARRA

Project:

Miami Dade County NOA

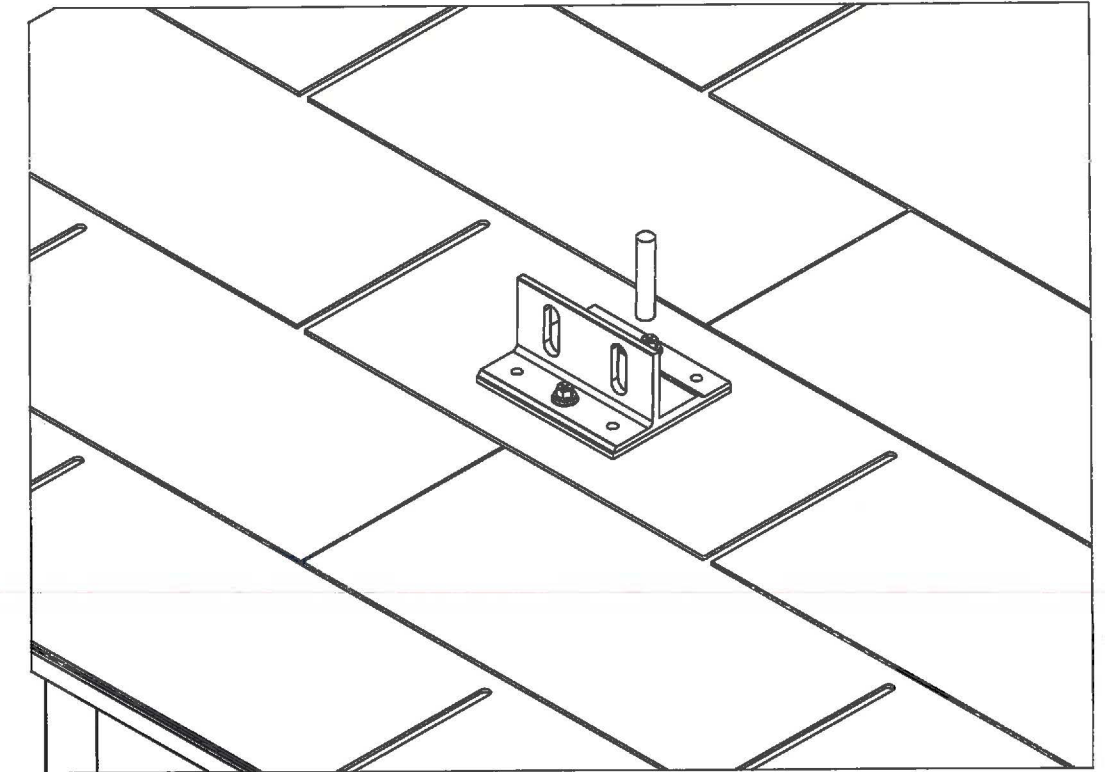


REUIRED TOOLS:  
 5/16" SOCKET  
 SOCKET WRENCH  
 COMP SHINGLE START COURSE OR K2 BUTYL (FOR UNEVEN SURFACES)

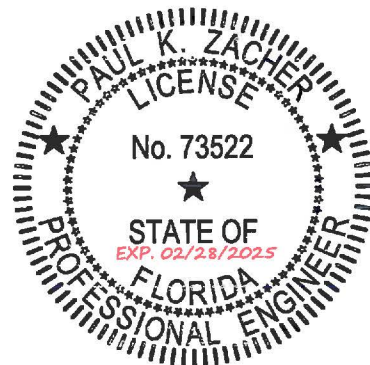


**STEP 1:**  
 Corner out and mark array on roof. Snap chalk lines for rail location within shingle course. (Refer to module manufacturer frame clamping zones). Mark mounting locations over rafters and chalk lines within shingle course. Refer to engineering letters for allowable mount spacing.

**LEVELING UNEVEN ROOF SURFACES:**  
 If shingle surface is not level, use an additional piece of K2 butyl or a standard comp shingle starter course to level out the roof surface under the Splice Foot.



**STEP 2:**  
 Locate the rafter and clean roofing surface for mount placement. Peel back protective paper from butyl, and stick down mount on a single shingle course with the two center holes lining up over the rafter. Position all mounts in the same direction with the long side towards the ridge. Drive provided lag screws into the rafter until the EPDM seal begins to deform, providing a positive seal. Do not over torque.



**PRODUCT REVISED**  
 as complying with the Florida  
 Building Code  
 NOA-No. 26-0120.02  
 Expiration Date 02/17/2027  
 By *[Signature]*  
 Miami-Dade Product Control



K2 Systems  
 4665 North Avenue Suite I  
 Oceanside, CA 92056  
 phone 760.301.5300

DESCRIPTION:

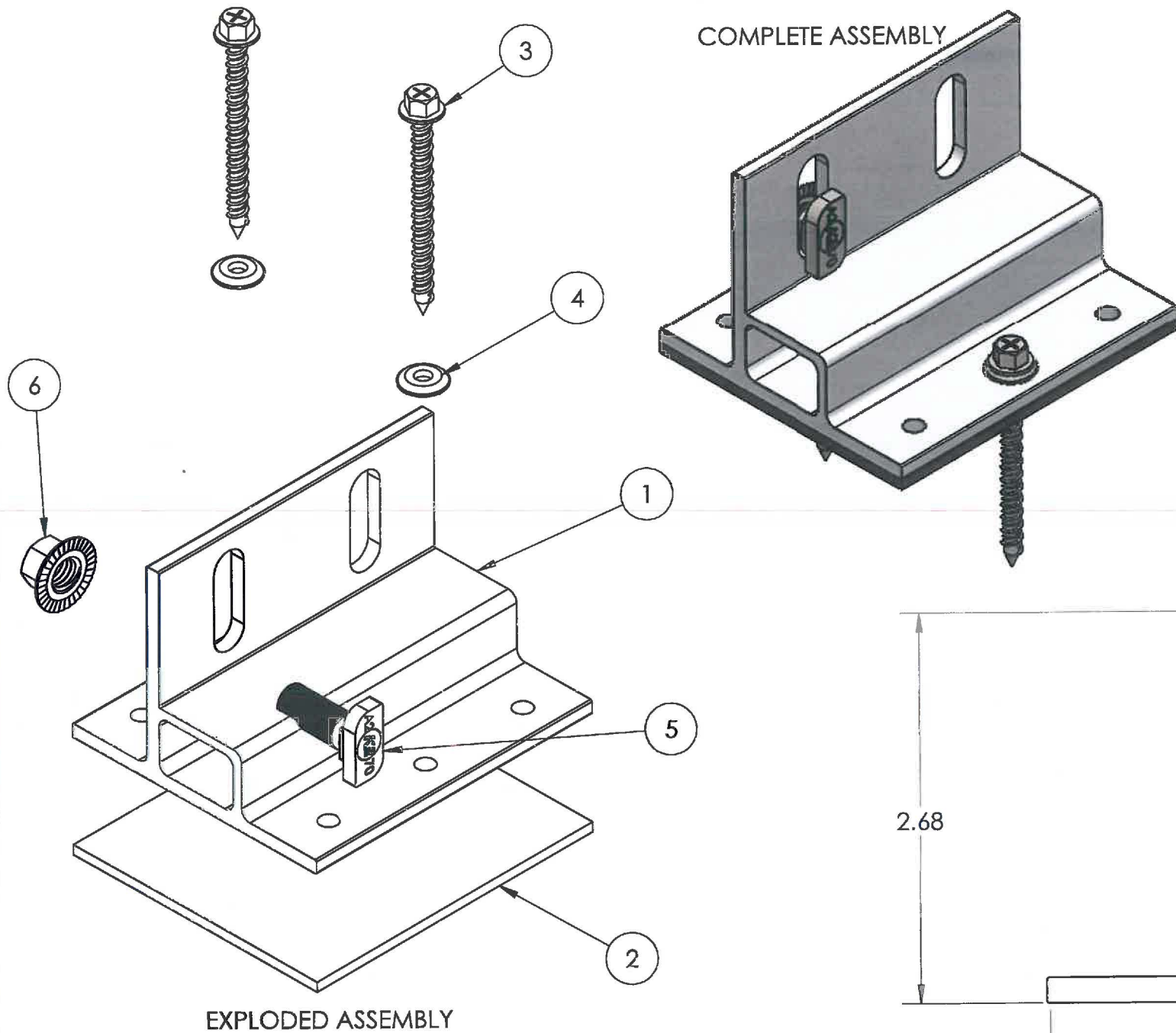
SPLICE FOOT X INSTALLATION

REVISION	DATE	DESCRIPTION
A	01/11/2022	INITIAL RELEASE
B	05/27/2024	TEMPLATE UPDATE

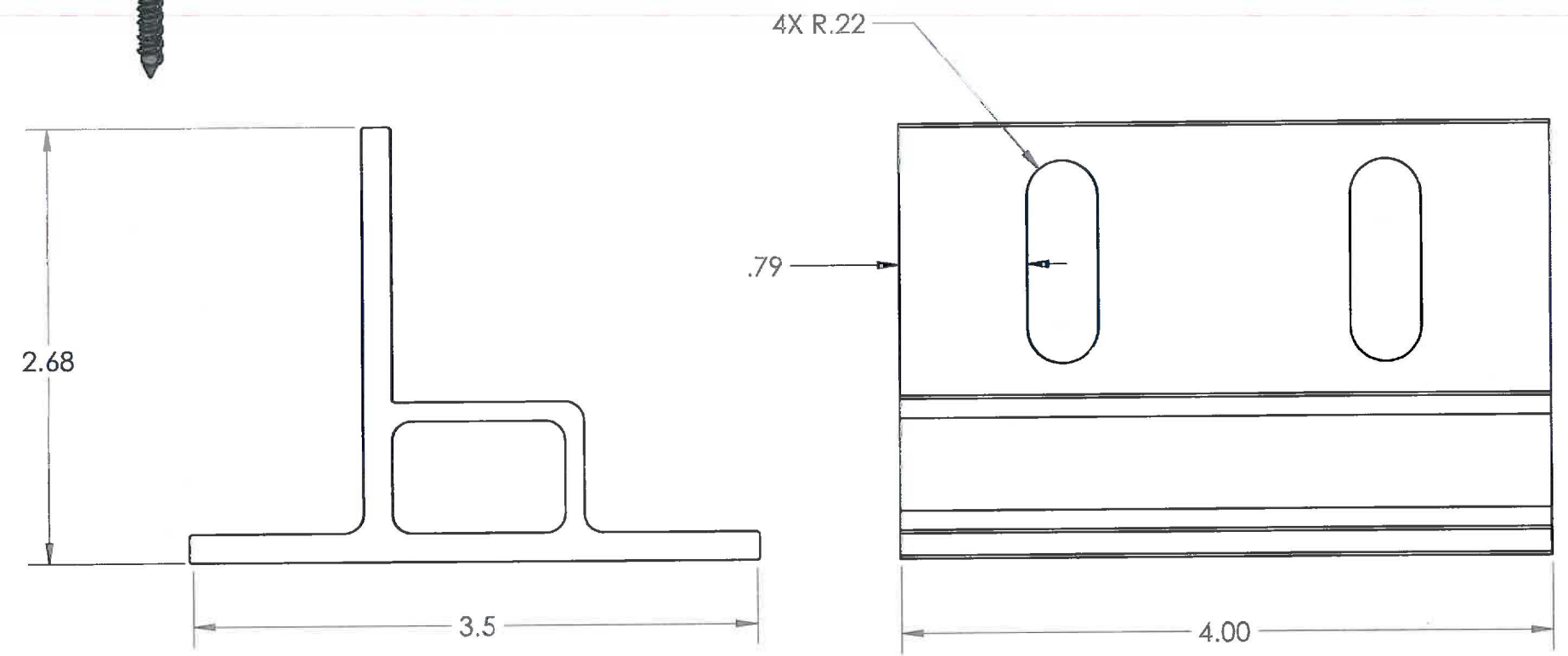
DRAWN BY  
 R.ESTRADA  
 A.VIZCARRA

Project:

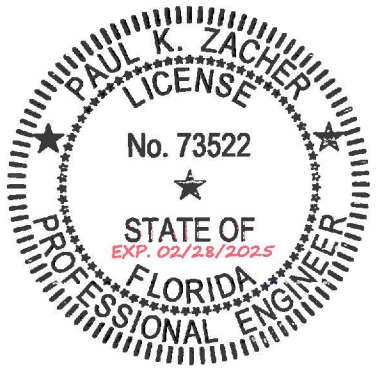
Miami Dade County NOA



PART BILL OF MATERIALS				
ITEM	PART NUMBER	DESCRIPTION	QTY	ALLOY MATERIAL
1	4000300	SPLICE FOOT XL	1	AL 6005A
2	4000114	SPLICE FOOT BUTYL, 3 1/2"X4"	1	N/A
3	4000164	K2 WOOD SCREW MINI	2	STAINLESS STEEL
4	4000164	SEALING WASHER	2	SS AND EPDM
5	4000571	T-BOLT 28/15 M10X25 SS	1	STAINLESS STEEL
6	4000573	HEX FLANGE NUT SERR, SS, M10	1	STAINLESS STEEL



SPLICE FOOT XL DIMENSIONS



**PRODUCT REVISED**  
 as complying with the Florida  
 Building Code  
 NOA-No. 26-0120.02  
 Expiration Date 02/17/2027  
 By *[Signature]*  
 Miami-Dade Product Control

**K2 systems**  
 K2 Systems  
 4665 North Avenue Suite I  
 Oceanside, CA 92056  
 phone 760.301.5300

DESCRIPTION:  
 SPLICE FOOT XL KIT ASSEMBLY

REVISION	DATE	DESCRIPTION
A	01/11/2022	INITIAL RELEASE
B	05/27/2024	TEMPLATE UPDATE

DRAWN BY  
 R. ESTRADA  
 A. VIZCARRA

Project:  
 Miami Dade County NOA

**SPLICE FOOT XL FOR COMPOSITION SHINGLE ROOF MOUNTING**

REFER TO K2 ENGINEERING CHARTS FOR APPLCABLE CROSSRAIL SPANS

FOR USE AS A RAIL SPLICE, DISTANCE TO THE NEXT SPLICE FOOT XL MOUNT MUST BE EQUAL OR LESS THAN THE MAX ALLOWABLE ATTACHMENT SPAN PER K2 ENGINEERING CHARTS

NO PILOT HOLE REQUIRED FOR SELF DRILLING SCREWS

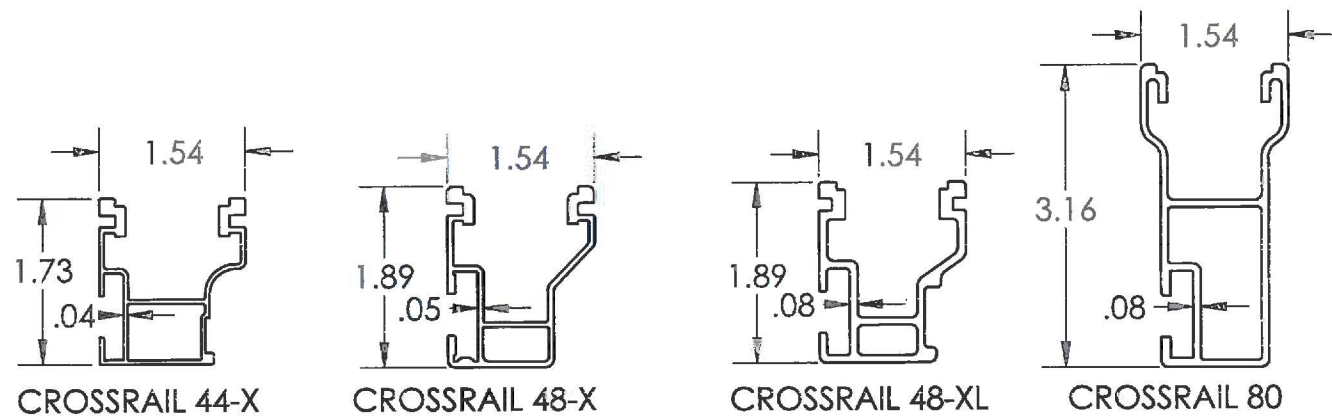
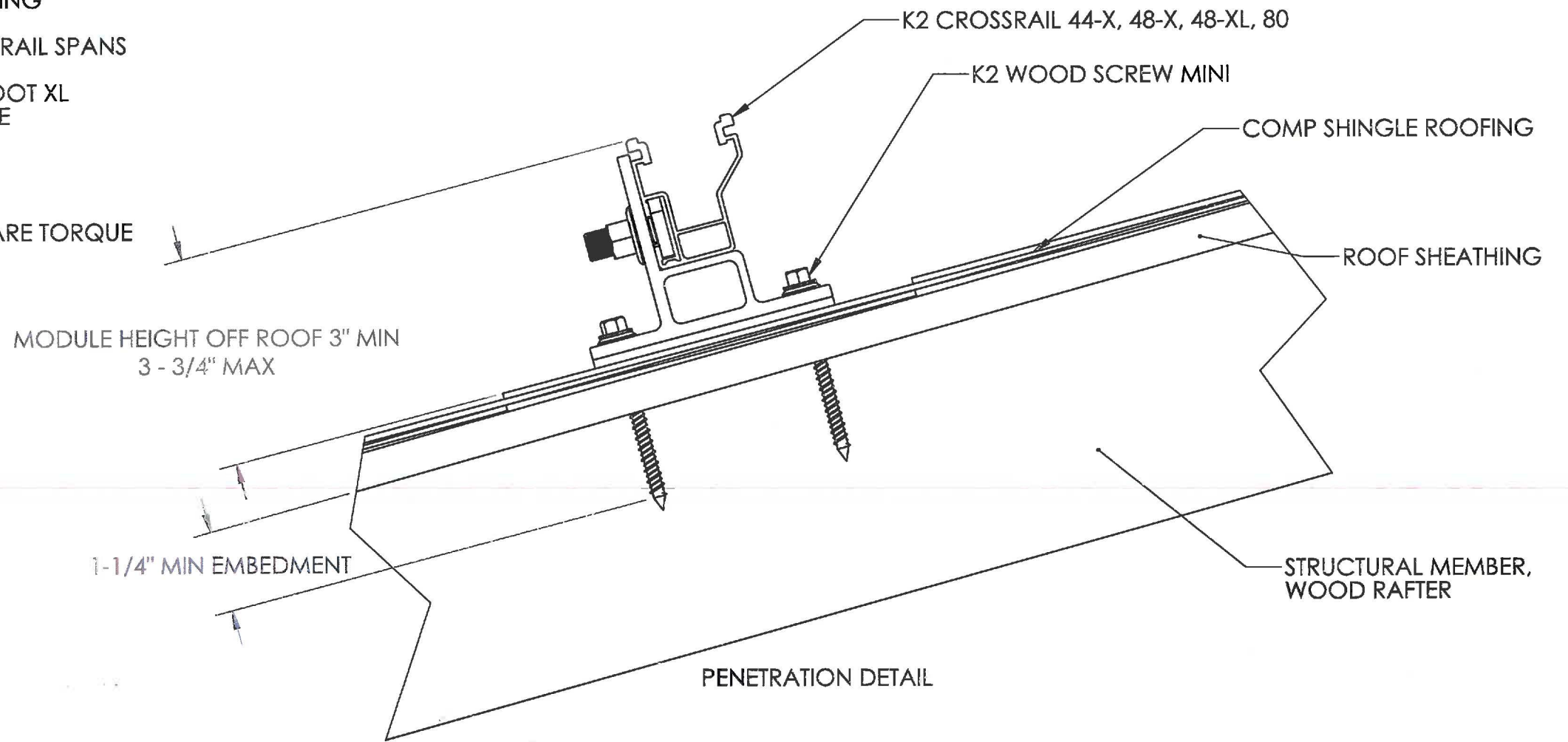
REFER TO K2 CROSSRAIL INSTLATION MANUAL FOR HARDWARE TORQUE

**STRUCTURAL MEMBER SPECIFICATIONS:**

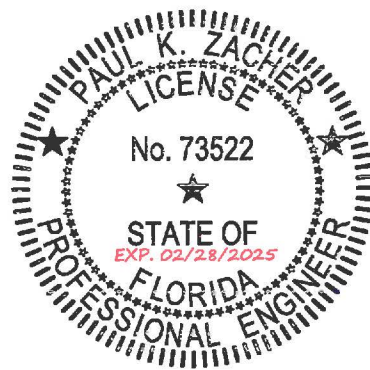
MINIMUM WOOD GRADE = SPF #2  
MINIMUM SPECIFIC GRAVITY = 0.42

ALLOWABLE FASTENER UPLIFT = 424 LBS  
ALLOWABLE FASTENER LATERAL = 216 LBS

MINIMUM FASTENER EDGE DISTANCE = 0.295"  
MINIMUM FASTENER END DISTANCE = 1.4"



**PRODUCT REVISED**  
as complying with the Florida Building Code  
NOA-No. 26-0120.02  
Expiration Date 02/17/2027  
By *[Signature]*  
Miami-Dade Product Control

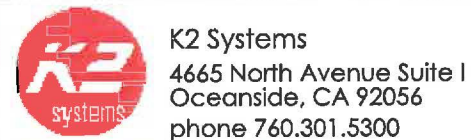


DESCRIPTION:  
SPLICE FOOT XL ATTACHMENT DETAIL

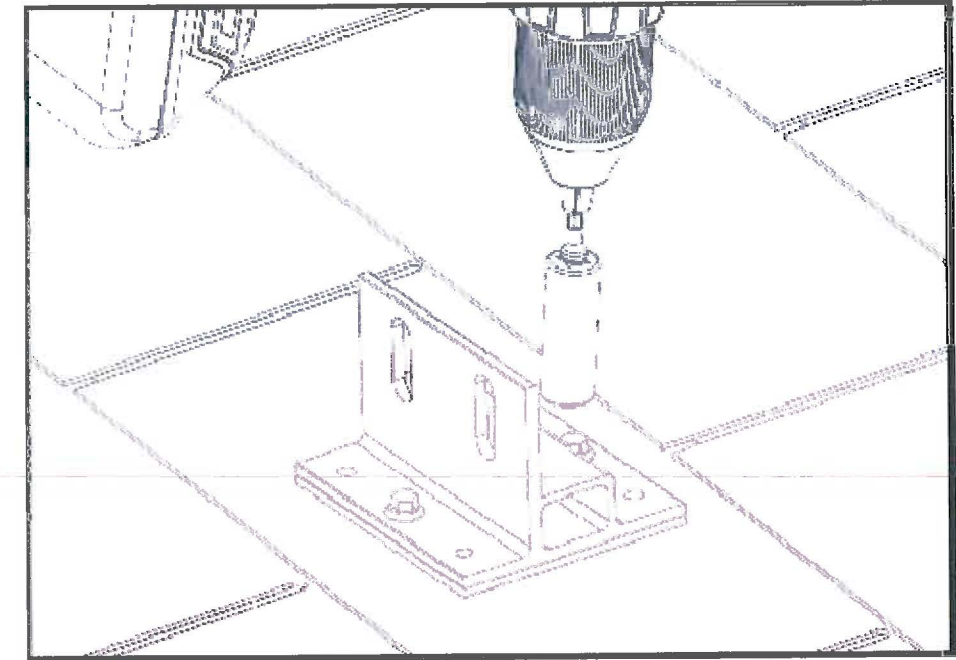
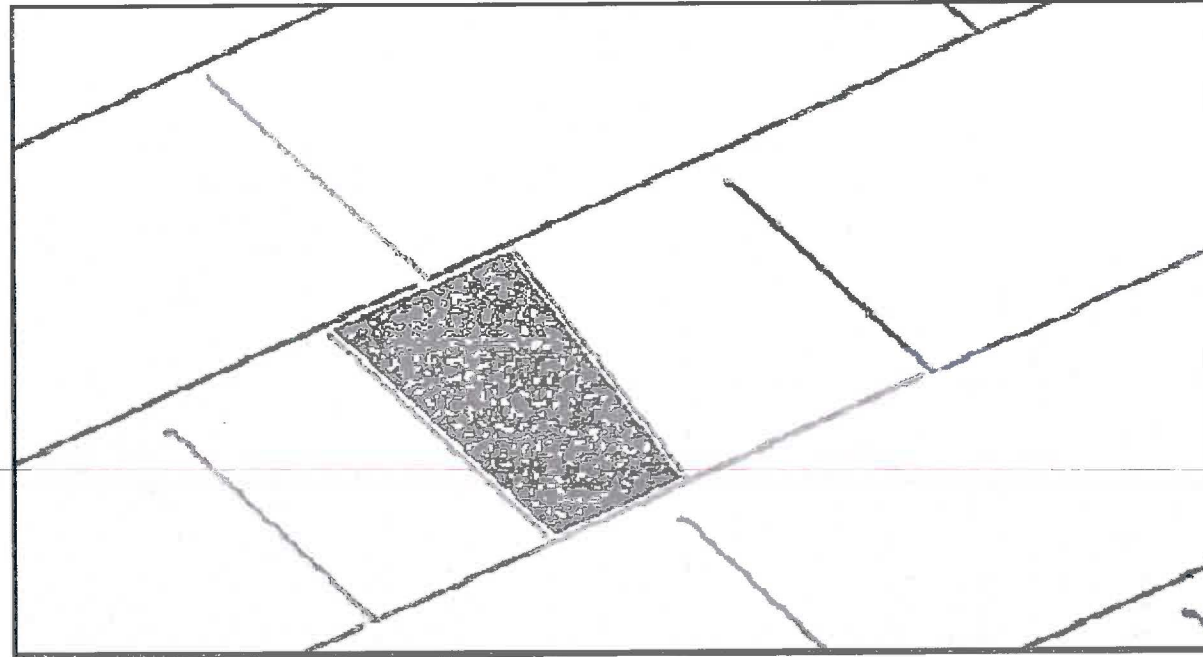
REVISION	DATE	DESCRIPTION
A	01/11/2022	INITIAL RELEASE
B	05/27/2024	TEMPLATE UPDATE

DRAWN BY  
R.ESTRADA  
A.VIZCARRA

Project:  
Miami Dade County NOA



REIURED TOOLS:  
 5/16" SOCKET  
 SOCKET WRENCH  
 COMP SHINGLE START COURSE OR K2 BUTYL (FOR UNEVEN SURFACES)



**STEP 1:**  
 Corner out and mark array on roof. Snap chalk lines for rail location within shingle course. (Refer to module manufacturer frame clamping zones). Mark mounting locations over rafters and chalk lines within shingle course. Refer to engineering letters for allowable mount spacing.

**LEVELING UNEVEN ROOF SURFACES:**

If shingle surface is not level, use an additional piece of K2 butyl or a standard comp shingle starter course to level out the roof surface under the Splice Foot.

**STEP 2:**  
 Locate the rafter and clean roofing surface for mount placement. Peel back protective paper from butyl, and stick down mount on a single shingle course with the two center holes lining up over the rafter. Position all mounts in the same direction with the long side towards the ridge. Drive provided lag screws into the rafter until the EPDM seal begins to deform, providing a positive seal. Do not over torque.



**PRODUCT REVISED**  
 as complying with the Florida  
 Building Code  
 NOA-No. 26-0120.02  
 Expiration Date 02/17/2027  
 By *[Signature]*  
 Miami-Dade Product Control



K2 Systems  
 4665 North Avenue Suite 1  
 Oceanside, CA 92056  
 phone 760.301.5300

DESCRIPTION:

SPLICE FOOT XL INSTALLATION

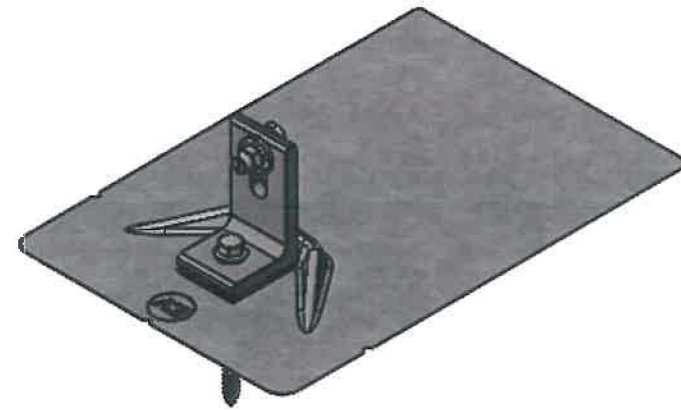
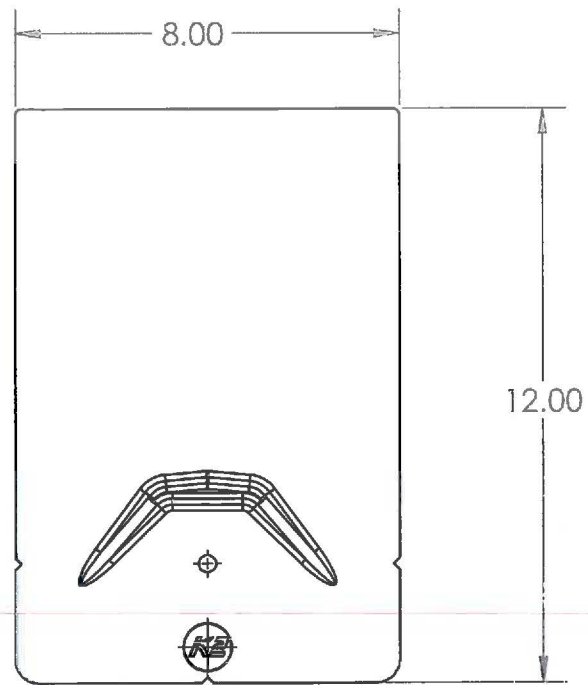
REVISION	DATE	DESCRIPTION
A	01/11/2022	INITIAL RELEASE
B	05/27/2024	TEMPLATE UPDATE

DRAWN BY  
 R.ESTRADA  
 A.VIZCARRA

Project:

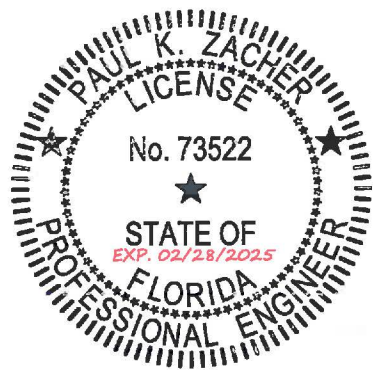
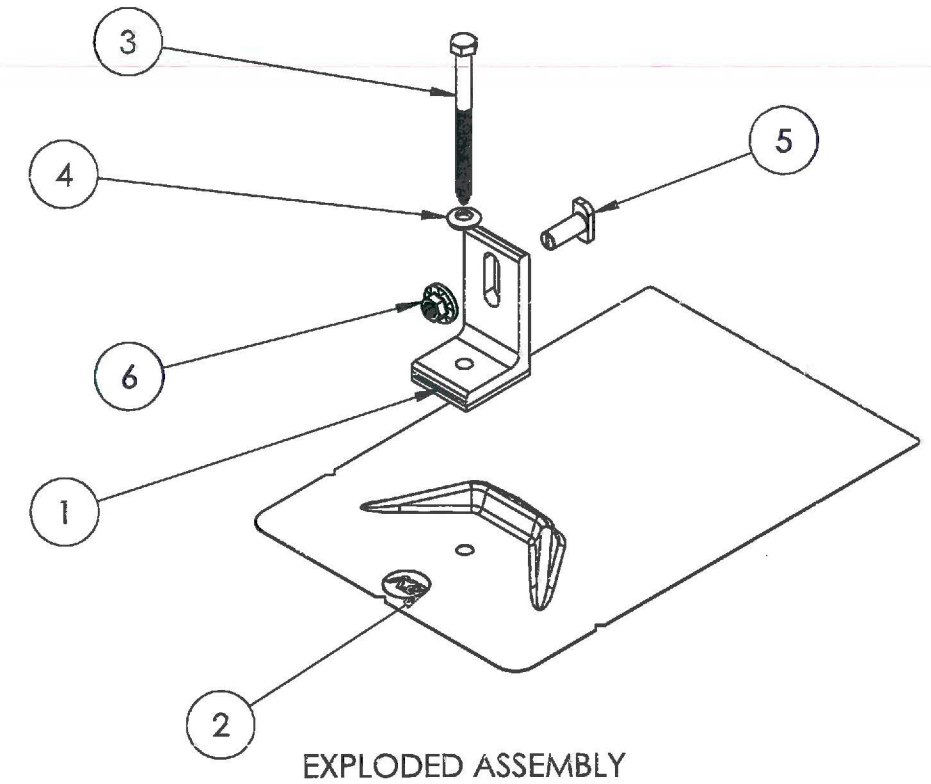
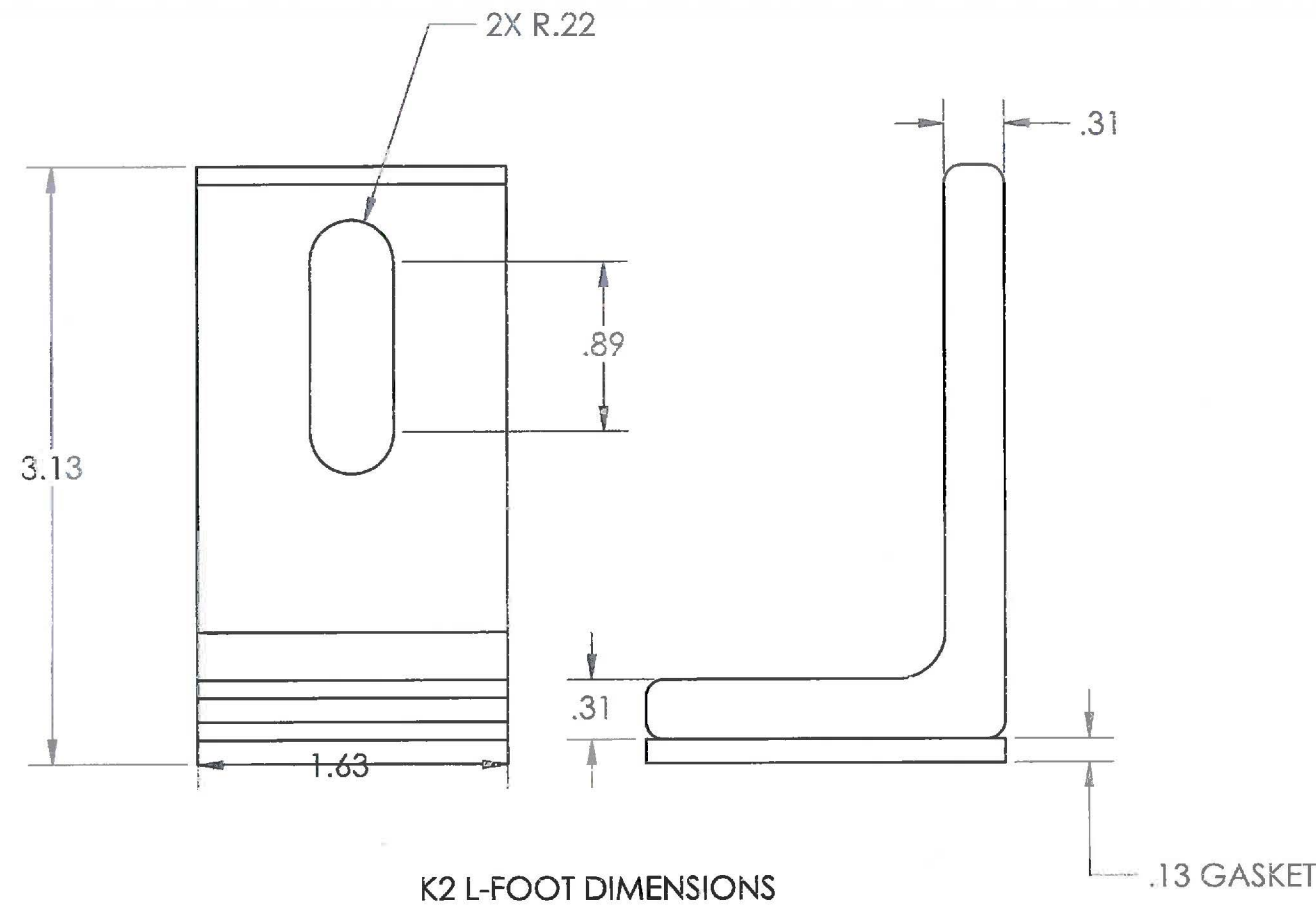
Miami Dade County NOA

PART BILL OF MATERIALS				
ITEM	PART NUMBER	DESCRIPTION	QTY	ALLOY MATERIAL
1	4000151	K2 L-FOOT	1	AL 6005A
2	4000156	K2 COMP FLASHING 8X12	1	GALVALUME
3	4000358	LAG SCREW D145/16 X 4"	1	STAINLESS STEEL
4	4000358	LAG SCREW SEALING WASHER	1	SS AND EPDM
5	4000571	T-BOLT 28/15 M10X25 SS	1	STAINLESS STEEL
6	4000573	HEX FLANGE NUT SERR, SS, M10	1	STAINLESS STEEL



K2 COMP FLASHING 8X12  
SCALE 1:4

**PRODUCT REVISED**  
as complying with the Florida  
Building Code  
NOA-No. 26-0120.02  
Expiration Date 02/17/2027  
By *[Signature]*  
Miami-Dade Product Control



DESCRIPTION:  
EVERFLASH ECOMP KIT 4.5" LAG ASSEMBLY

REVISION	DATE	DESCRIPTION
A	01/11/2022	INITIAL RELEASE
B	05/27/2024	TEMPLATE UPDATE

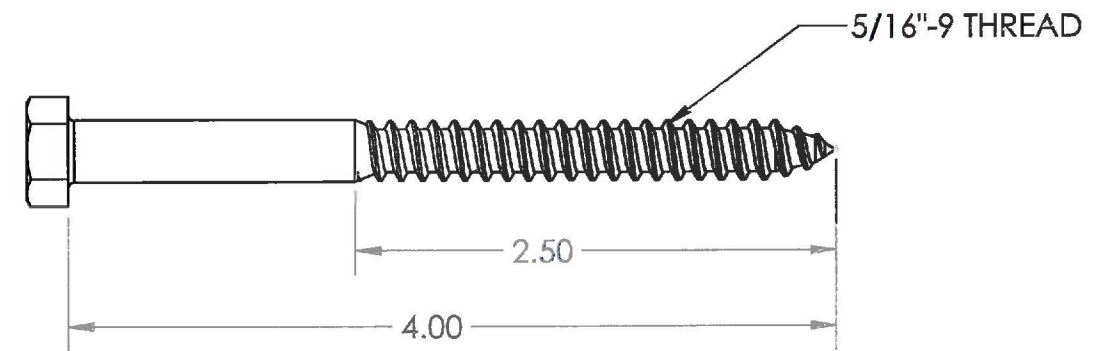
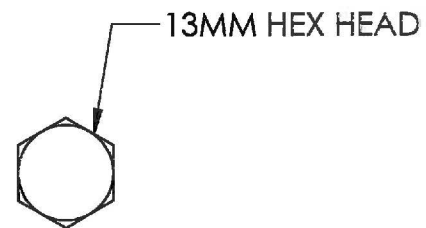
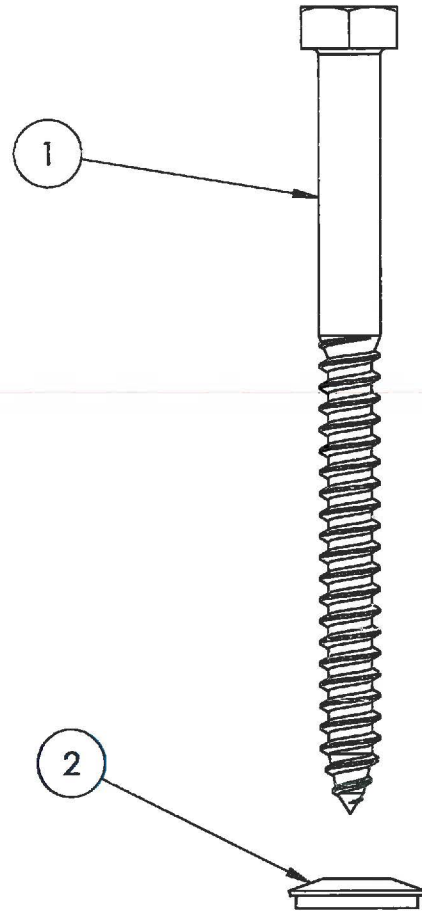
DRAWN BY  
R.ESTRADA  
A.VIZCARRA

Project:  
Miami Dade County NOA

NOTES:

1. ALL DIMENSIONS ARE mm UNLESS OTHERWISE SPECIFIED.
2. DIMENSIONS AND TOLERANCE SHOWN ARE AFTER PLATING AND/OR FINISH.
3. PART IS TO BE FREE OF BURRS AND SHARP EDGES.
4. ANY MATERIAL DEVIATION FROM SPECIFIED MATERIAL MUST BE APPROVED BY K2.
5. PARTS SHALL NOT HAVE OILS, RESIDUES, OR OTHER SUBSTANCES ON THEIR SURFACE.
6. LAG SCREW MATERIAL: 18-8 STAINLESS STEEL

PART BILL OF MATERIALS				
ITEM	PART NUMBER	DESCRIPTION	QTY	ALLOY MATERIAL
3	4000358	LAG SCREW D145/16 X 4"	1	STAINLESS STEEL
4	4000358	LAG SCREW SEALING WASHER	1	SS AND EPDM



**PRODUCT REVISED**  
 as complying with the Florida  
 Building Code  
 NOA-No. 26-0120.02  
 Expiration Date 02/17/2027  
 By *[Signature]*  
 Miami-Dade Product Control

**K2 systems**  
 K2 Systems  
 4665 North Avenue Suite I  
 Oceanside, CA 92056  
 phone 760.301.5300

DESCRIPTION:  
 ECOMP LAG SCREW D145/16 X 4.5" DETAIL

REVISION	DATE	DESCRIPTION	DRAWN BY
A	01/11/2022	INITIAL RELEASE	R.ESTRADA
B	05/27/2024	TEMPLATE UPDATE	A.VIZCARRA

Project:  
 Miami Dade County NOA

**K2 FLASH FOR COMPOSITION SHINGLE ROOF MOUNTING**

REFER TO K2 ENGINEERING CHARTS FOR APPLCABLE CROSSRAIL SPANS

DRILL 7/32" PILOT HOLE FOR LAG BOLT

REFER TO K2 CROSSRAIL INSTALLATION MANUAL FOR HARDWARE TORQUE

**STRUCTURAL MEMBER SPECIFICATIONS:**

MINIMUM WOOD GRADE = SPF #2

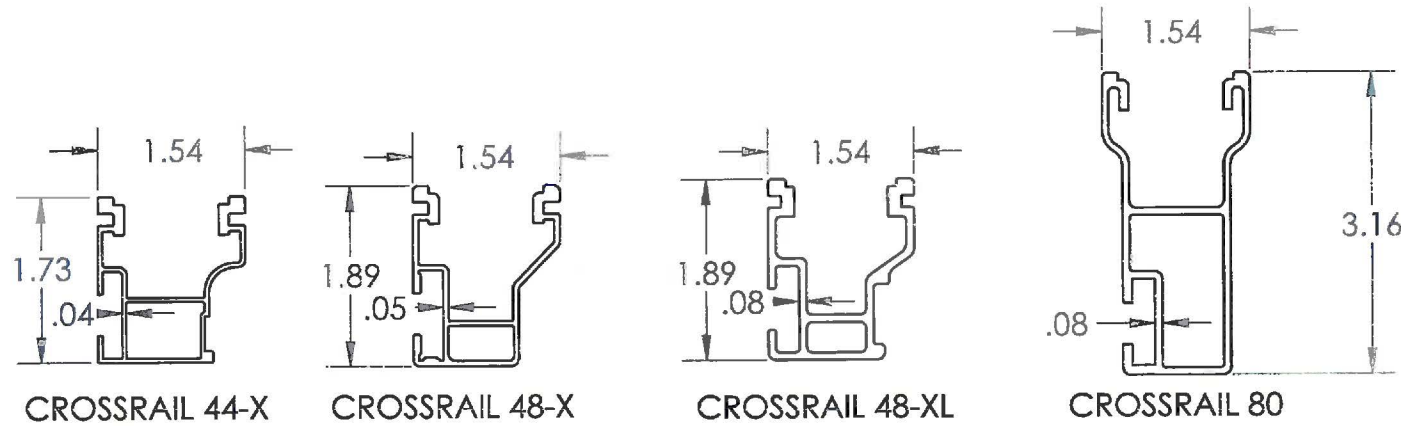
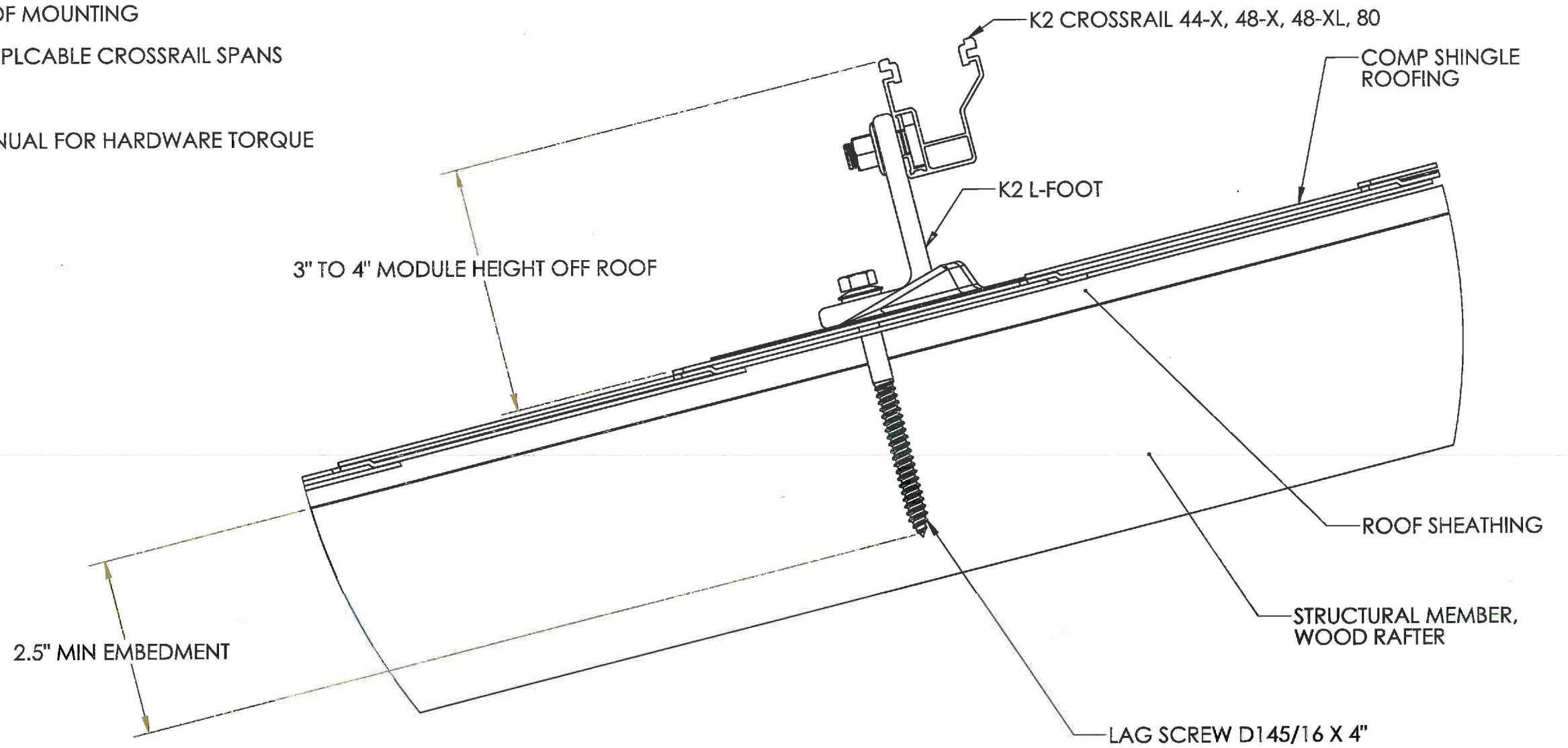
MINIMUM SPECIFIC GRAVITY = 0.42

ALLOWABLE FASTENER UPLIFT = 771 LBS

ALLOWABLE FASTENER LATERAL = 207 LBS

MINIMUM FASTENER EDGE DISTANCE = 0.5"

MINIMUM FASTENER END DISTANCE = 2.2"

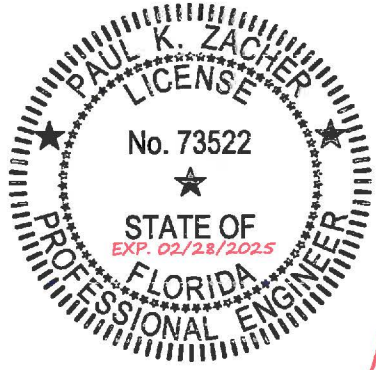


**PRODUCT REVISED**  
as complying with the Florida  
Building Code

NOA-No. 26-0120.02

Expiration Date 02/17/2027

By *[Signature]*  
Miami-Dade Product Control



DESCRIPTION:  
EVERFLASH ECOMP KIT ATTACHMENT DETAIL

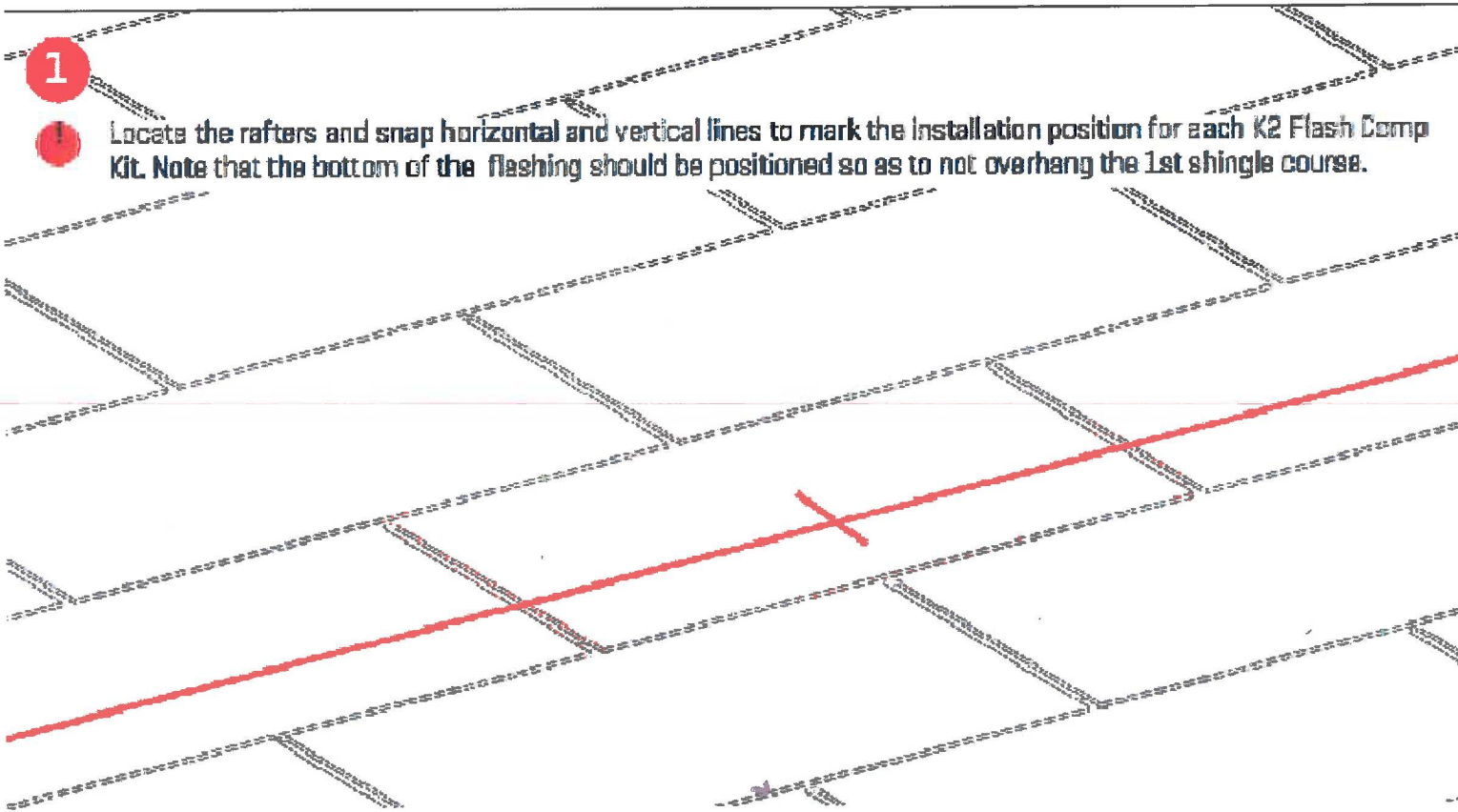
REVISION	DATE	DESCRIPTION
A	01/11/2022	INITIAL RELEASE
B	05/27/2024	TEMPLATE UPDATE

DRAWN BY  
R. ESTRADA  
A. VIZARRA

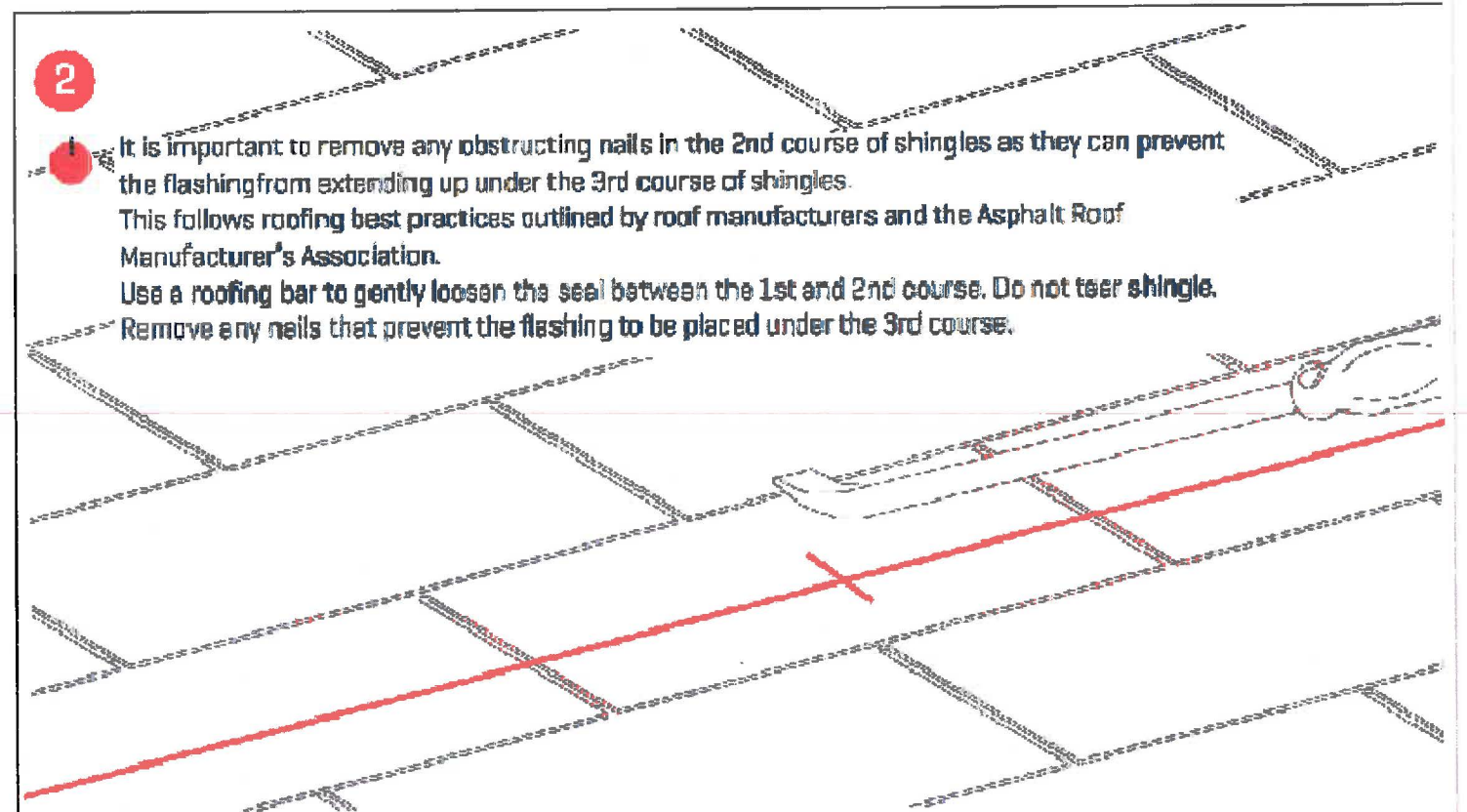
Project:  
Miami Dade County NOA

**K2 systems**  
K2 Systems  
4665 North Avenue Suite 1  
Oceanside, CA 92056  
phone 760.301.5300

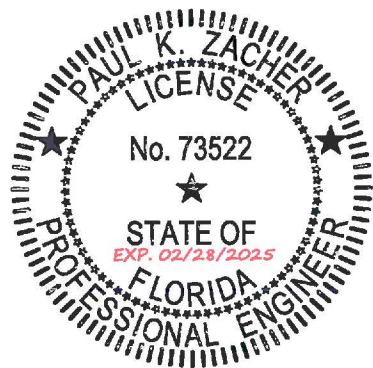
REQUIRED TOOLS:  
 CHALK LINE  
 ROOFING BAR  
 7/32" DRILL BIT  
 ROOFING MANUFACTURER APPROVED SEALANT



**1** Locate the rafters and snap horizontal and vertical lines to mark the installation position for each K2 Flash Comp Kit. Note that the bottom of the flashing should be positioned so as to not overhang the 1st shingle course.



**2** It is important to remove any obstructing nails in the 2nd course of shingles as they can prevent the flashing from extending up under the 3rd course of shingles. This follows roofing best practices outlined by roof manufacturers and the Asphalt Roof Manufacturer's Association. Use a roofing bar to gently loosen the seal between the 1st and 2nd course. Do not tear shingle. Remove any nails that prevent the flashing to be placed under the 3rd course.



**PRODUCT REVISED**  
 as complying with the Florida  
 Building Code  
 NOA-No. 26-0120.02  
 Expiration Date 02/17/2027  
 By *[Signature]*  
 Miami-Dade Product Control

DESCRIPTION:

EVERFLASH ECOMP KIT INSTALLATION

REVISION	DATE	DESCRIPTION
A	01/11/2022	INITIAL RELEASE
B	05/27/2024	TEMPLATE UPDATE

DRAWN BY  
 R. ESTRADA  
 A. VIZARRA

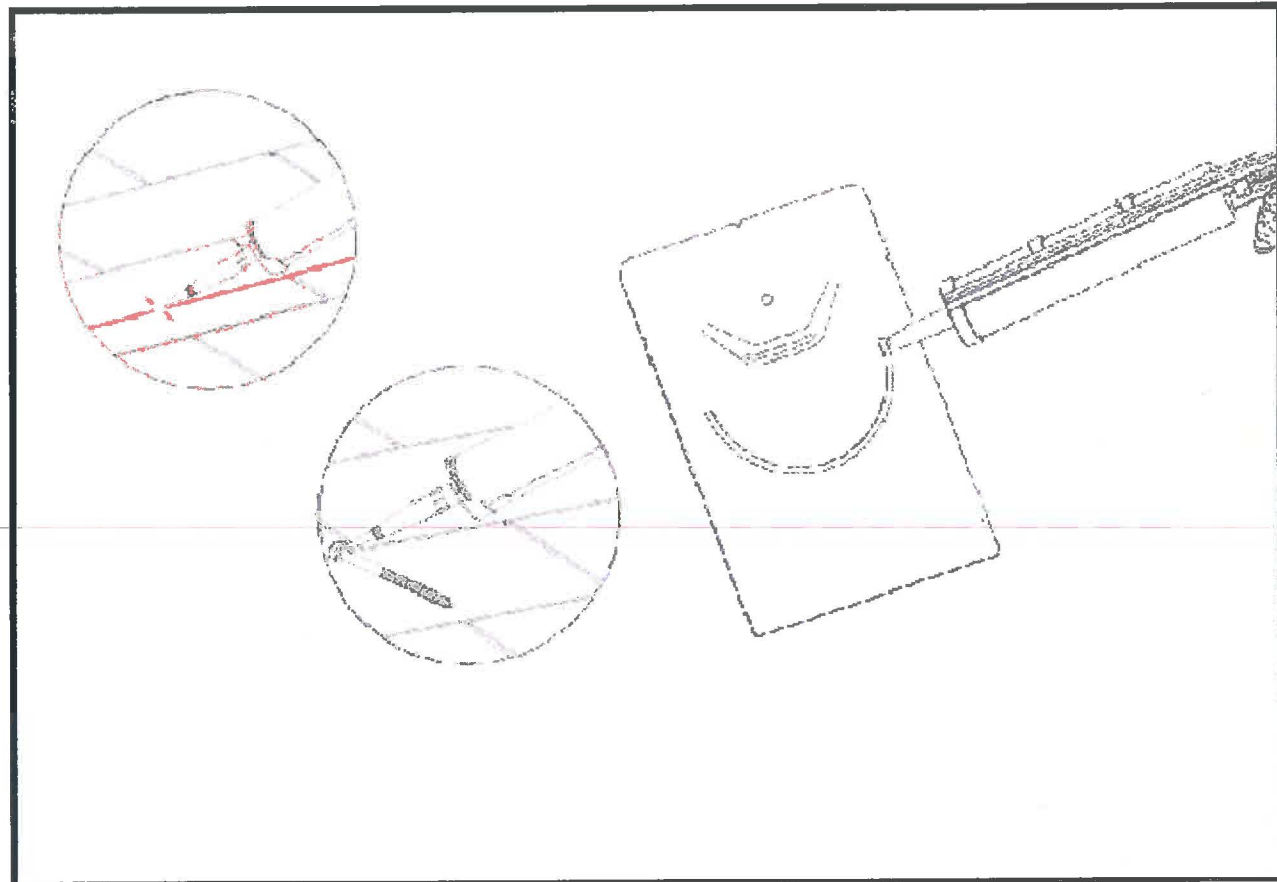
Project:  
 Miami Dade County NOA



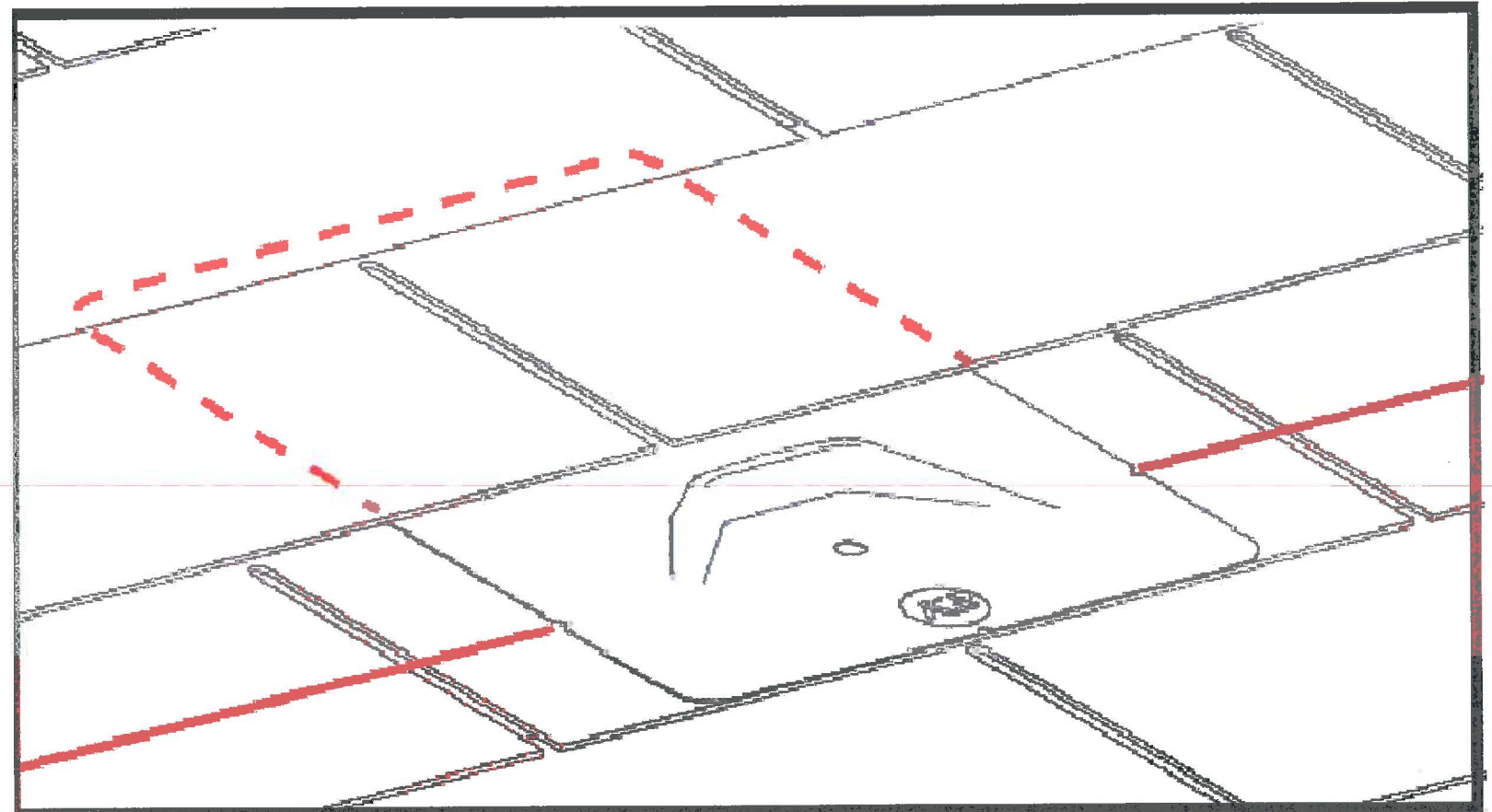
K2 Systems  
 4665 North Avenue Suite 1  
 Oceanside, CA 92056  
 phone 760.301.5300

**REQUIRED TOOLS:**

13MM DEEP SOCKET  
SOCKET WRENCH



**STEP 4:**  
Be sure to seal lag screw by either back filling the pilot hole with an appropriate sealant or ensuring sealant onto the lag screw threads directly. Additional waterproofing suggestions include an upside down "U" shape of sealant on the backside of the flashing. The K2 Flash was tested with no sealant but these suggestions follow roofing best practices and guidelines.



**STEP 5:**  
Insert flashing with bottom edge flush with butt edge of the shingle. Flashing should be installed over 1st course, under the 2nd course, and at least 3/4" into the 3rd course.



**PRODUCT REVISED**  
as complying with the Florida  
Building Code  
NOA-No. 26-0120.02  
Expiration Date 02/17/2027  
By *[Signature]*  
Miami-Dade Product Control

*[Handwritten signature]*

**DESCRIPTION:**

EVERFLASH ECOMP KIT INSTALLATION

REVISION	DATE	DESCRIPTION
A	01/11/2022	INITIAL RELEASE
B	05/27/2024	TEMPLATE UPDATE

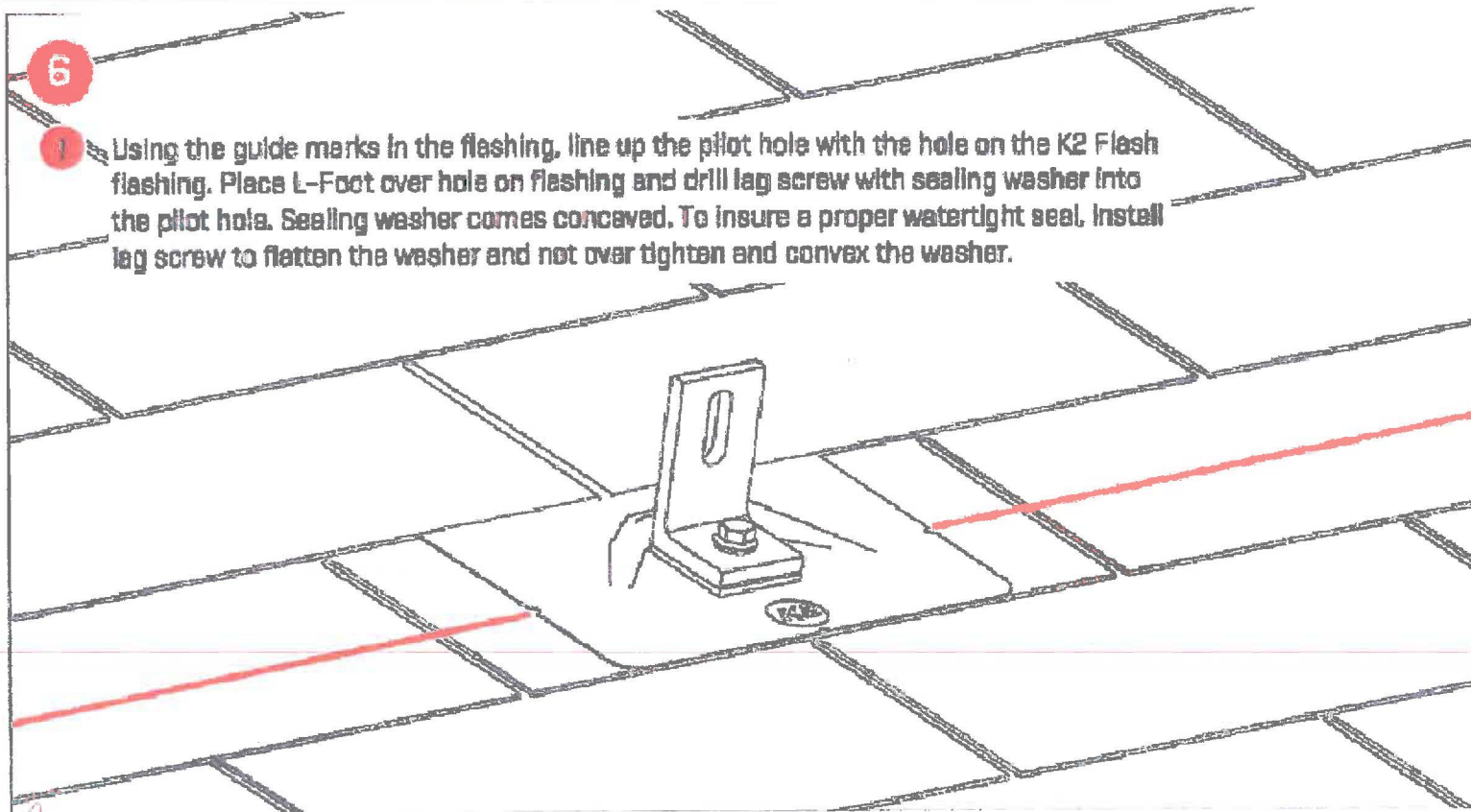
DRAWN BY  
R. ESTRADA  
A. VIZCARRA

**Project:**

Miami Dade County NOA

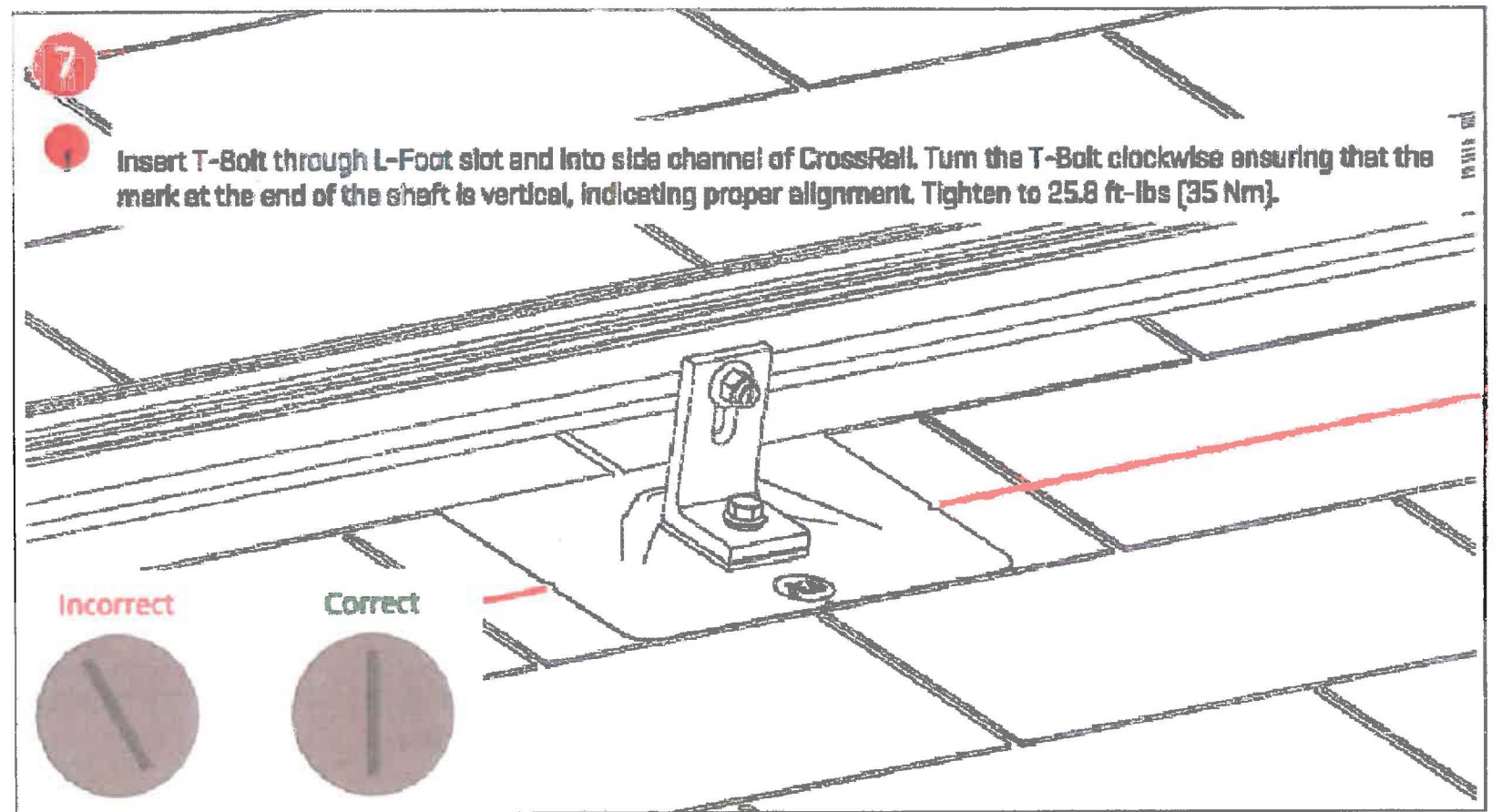


K2 Systems  
4665 North Avenue Suite 1  
Oceanside, CA 92056  
phone 760.301.5300



6

Using the guide marks in the flashing, line up the pilot hole with the hole on the K2 Flash flashing. Place L-Foot over hole on flashing and drill lag screw with sealing washer into the pilot hole. Sealing washer comes concaved. To insure a proper watertight seal, install lag screw to flatten the washer and not over tighten and convex the washer.



7

Insert T-Bolt through L-Foot slot and into side channel of CrossRail. Turn the T-Bolt clockwise ensuring that the mark at the end of the shaft is vertical, indicating proper alignment. Tighten to 25.8 ft-lbs [35 Nm].

Incorrect

Correct

**PRODUCT REVISED**  
as complying with the Florida Building Code

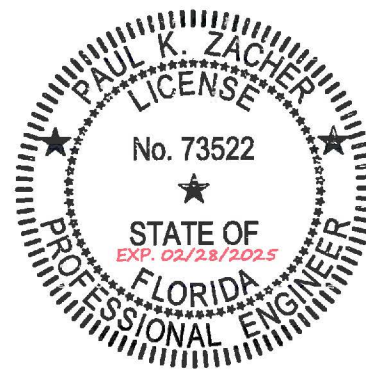
NOA-No. 26-0120.02

Expiration Date 02/17/2027

By *[Signature]*  
Miami-Dade Product Control

**REQUIRED TOOLS:**

13MM DEEP SOCKET  
SOCKET WRENCH



**DESCRIPTION:**

EVERFLASH ECOMP KIT INSTALLATION

REVISION	DATE	DESCRIPTION
A	01/11/2022	INITIAL RELEASE
B	05/27/2024	TEMPLATE UPDATE

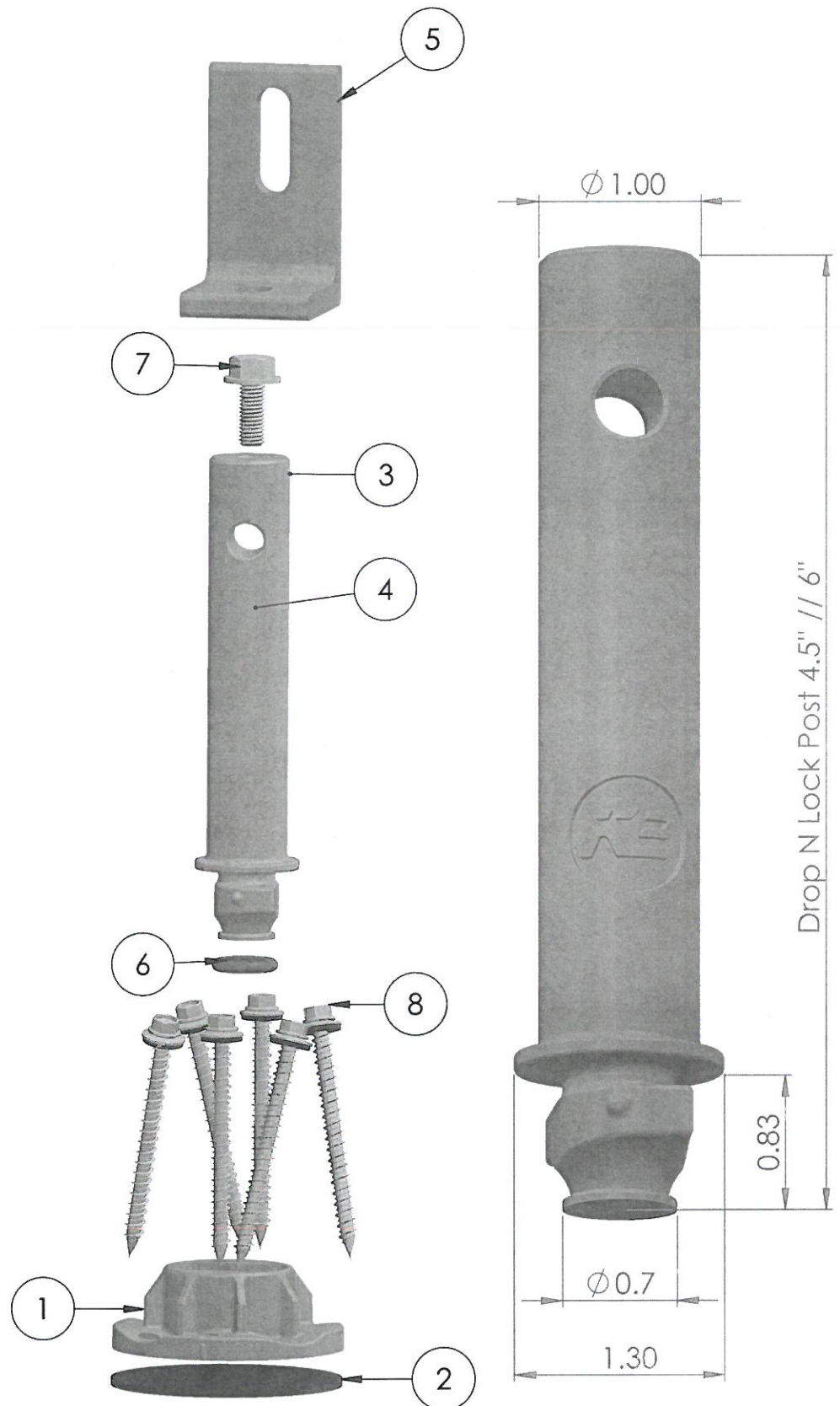
DRAWN BY  
R. ESTRADA  
A. VIZCARRA

**Project:**

Miami Dade County NOA



K2 Systems  
4665 North Avenue Suite I  
Oceanside, CA 92056  
phone 760.301.5300



ITEM NO.	PART NUMBER	DESCRIPTION	QTY.	Allow
1	4000203	K2 Drop N Lock Universal Base	1	AL 380.0 - F
2	4000204	K2 Drop N Lock UNIV Base Butyl, Gasket	1	N/A
3	4000219	K2 Drop N Lock Post 6", Mill	1	AL 380.0 - F
4	4000200	K2 Drop N Lock Post 4.5", Mill	1	AL 380.0 - F
5	4000619	L-Footer K2 Slotted, Mill	1	6000 SERIES AL
6	4000222	K2 Drop N Lock Post Cap, Dark	1	N/A
7	4000005	Hex Head, M8x20, Serrated	1	ASTM 304, A2 - 70
8	4000310	DR #14 x 3" x 5/16 Hex Head Screw	2 or 6	18-8 stainless Steel and EPDM Shore A77

**DROP N LOCK FOR TILE ROOF MOUNTING**

(6) DR #14 x 3" x 5/16 Hex Head Screw, EMBED FULLY INTO DECK  
 (2) #14 x 3in x 0.3125in Hex Head Screw, EMBED FULLY INTO RAFTER  
 MINIMUM DECK = 15/32"

REFER TO K2 ENGINEERING CHARTS FOR APPLICABLE CROSSRAIL SPANS

TO USE IT AS A RAIL SPLICE, THE DISTANCE TO THE NEXT DROP N LOCK MUST BE EQUAL OR LESS THAN THE MAX ALLOWABLE ATTACHMENT SPAN PER K2 ENGINEER CHARTS

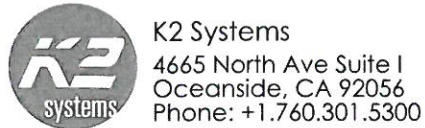
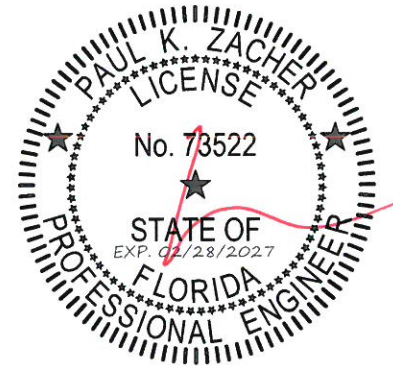
NO PILOT HOLE REQUIRED FOR SELF DRILLING SCREWS  
 REFER TO K2 CROSSRAIL INSTALATION MANUAL FOR HARWARE TORQUE

**STRUCTURAL MEMBER SPECIFICATIONS:**

- MINIMUM WOOD GRADE = SPF #2
- SPECIFIC GRAVITY= 0.42
- MINIMUM FASTENER EDGE DISTANCE = 0.375"
- MINIMUM FASTENER END DISTANCE = 1.4

	6"	6"	4.5"	4.5"
ALLOWABLE FASTENER	DECK	RAFTER	DECK	RAFTER
UPLIFT	345 lbs	460 lbs	345 lbs	460 lbs
LATERAL	49 lbs	72 lbs	49 lbs	92 lbs

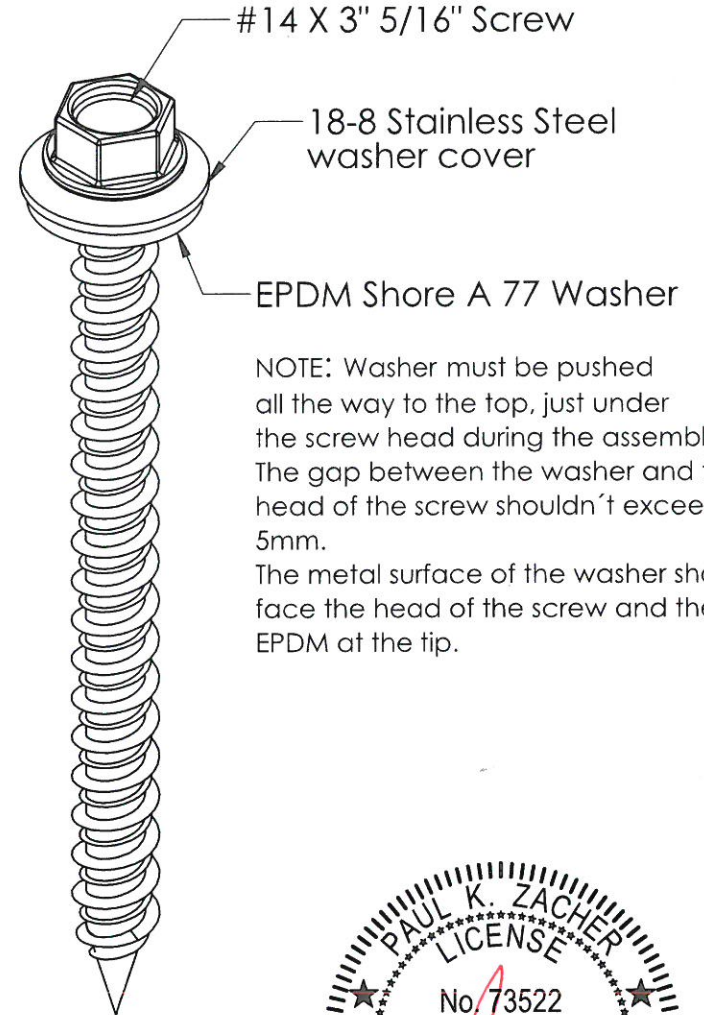
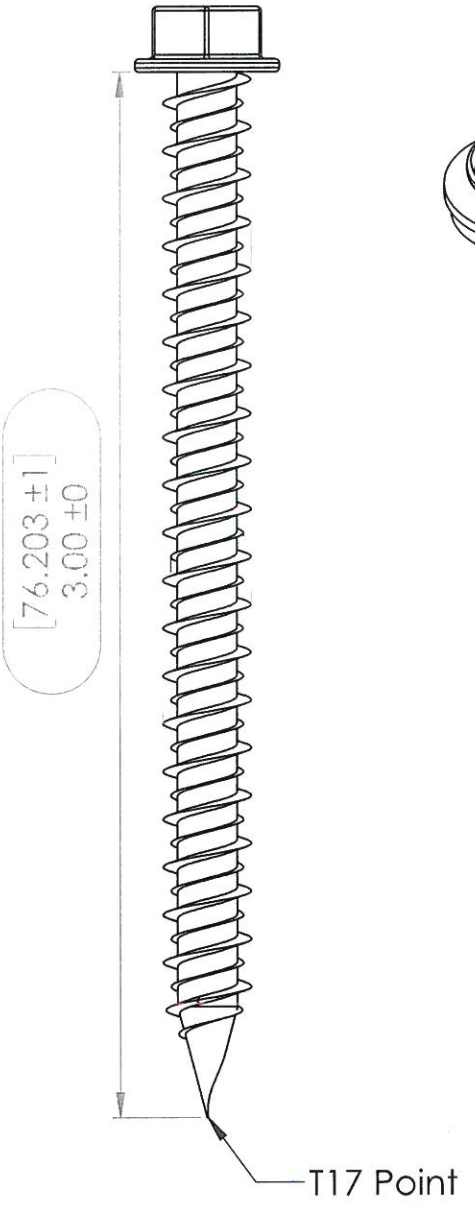
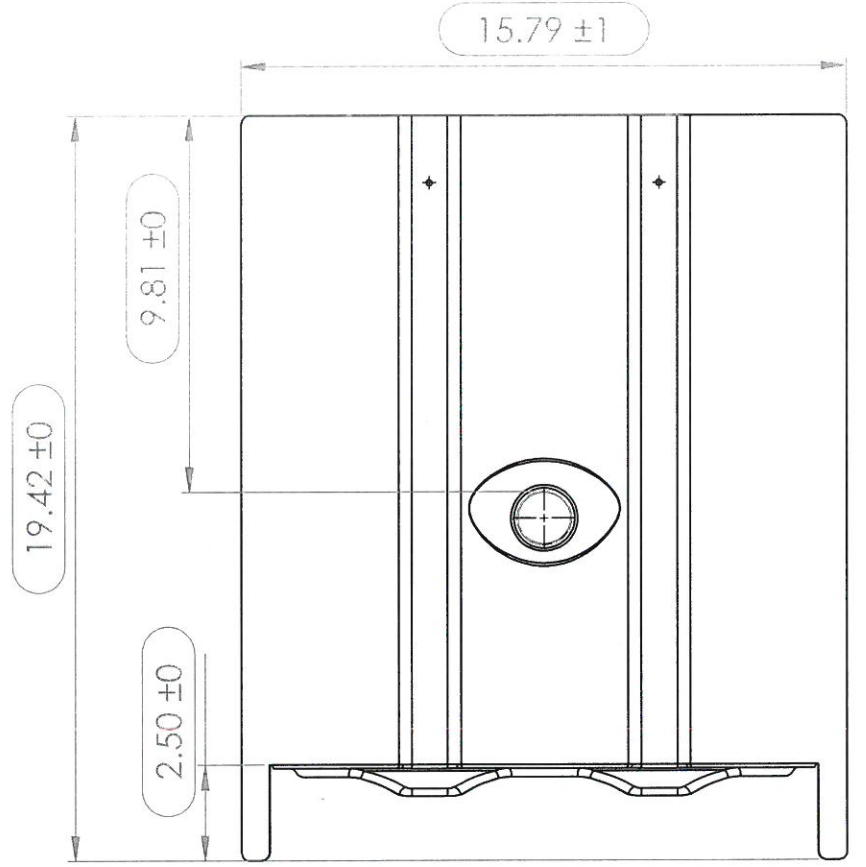
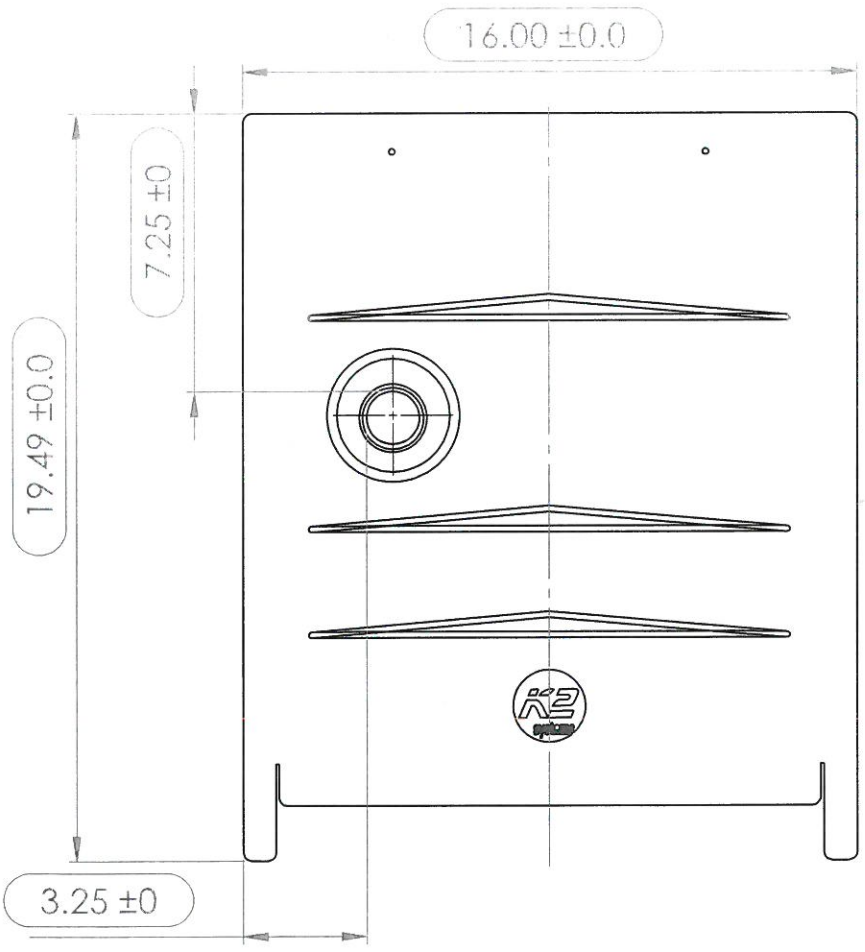
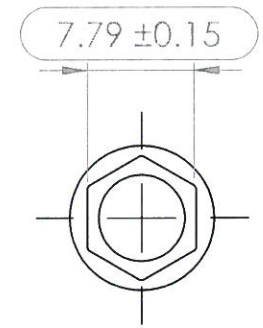
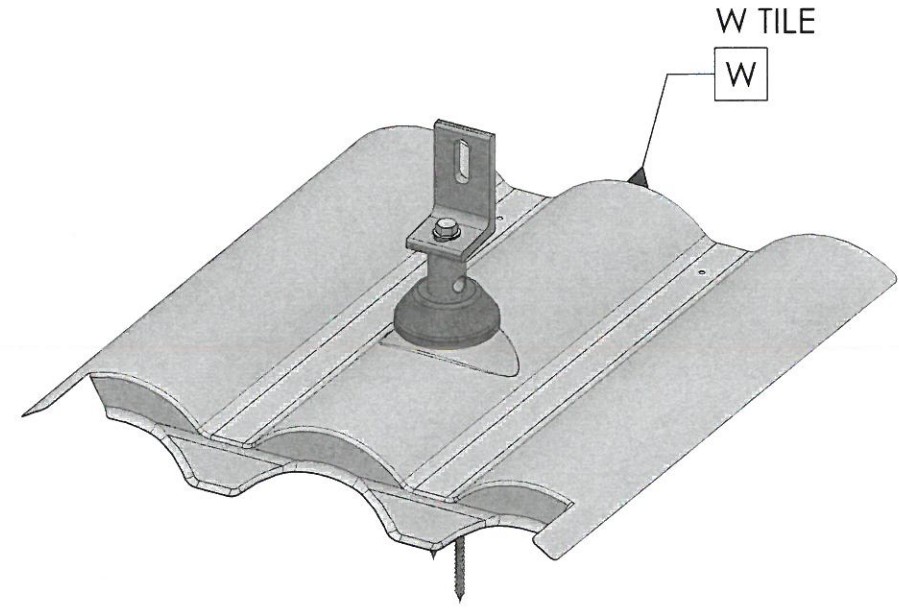
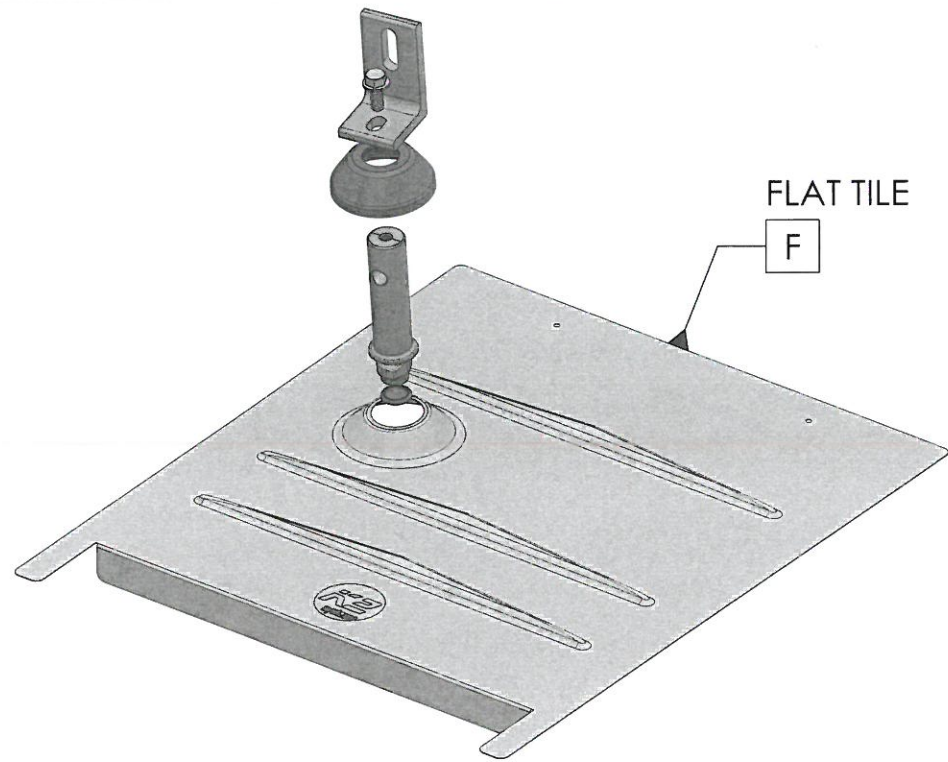
**PRODUCT REVISED**  
 as complying with the Florida Building Code  
 NOA-No. 26-0120.02  
 Expiration Date 02/17/2027  
 By *[Signature]*  
 Miami-Dade Product Control



Description:  
**DROP N LOCK POST KIT ASSEMBLY**

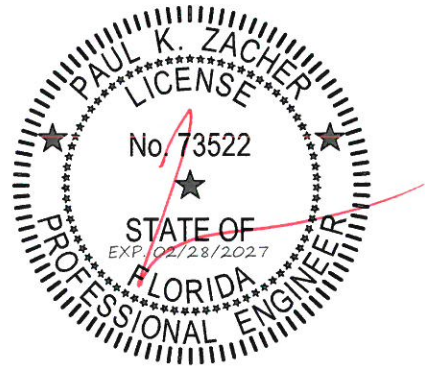
REVISION	DATE	DESCRIPTION	DRAWN BY
1	02/09/26		A. MARTINEZ

Project:  
 Miami Dade Country NOA



**PRODUCT REVISED**  
 as complying with the Florida  
 Building Code  
 NOA-No. 26-0120.02  
 Expiration Date 02/17/2027  
 By *[Signature]*  
 Miami-Dade Product Control

NOTE: Washer must be pushed all the way to the top, just under the screw head during the assembly. The gap between the washer and the head of the screw shouldn't exceed 5mm. The metal surface of the washer should face the head of the screw and the EPDM at the tip.



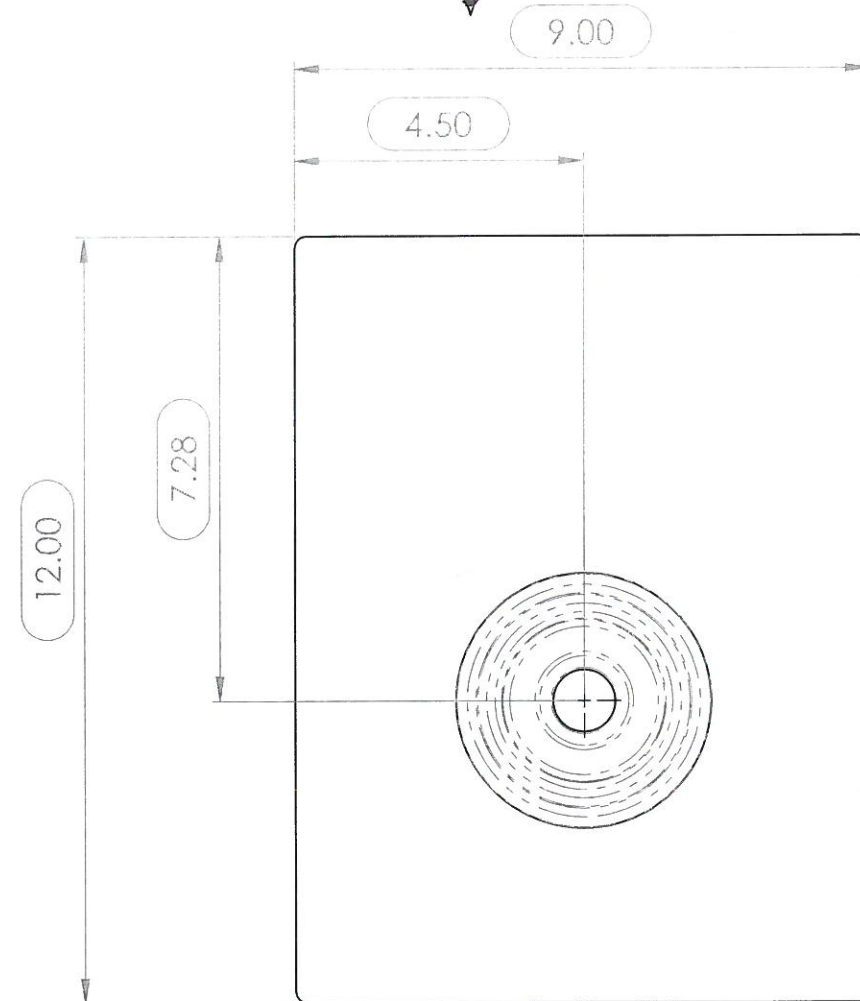
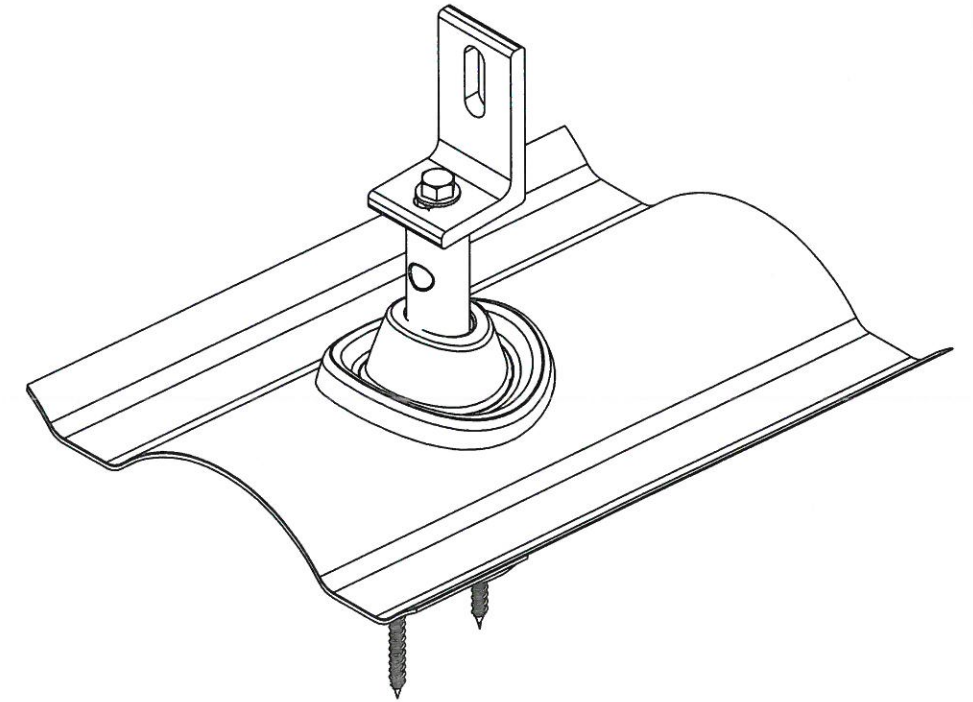
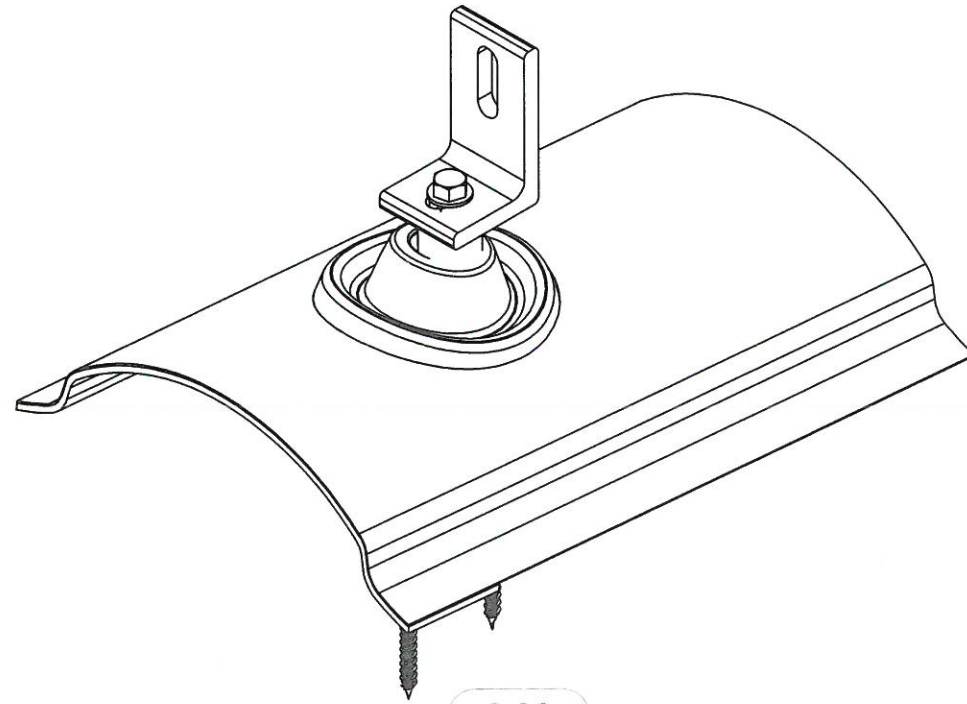
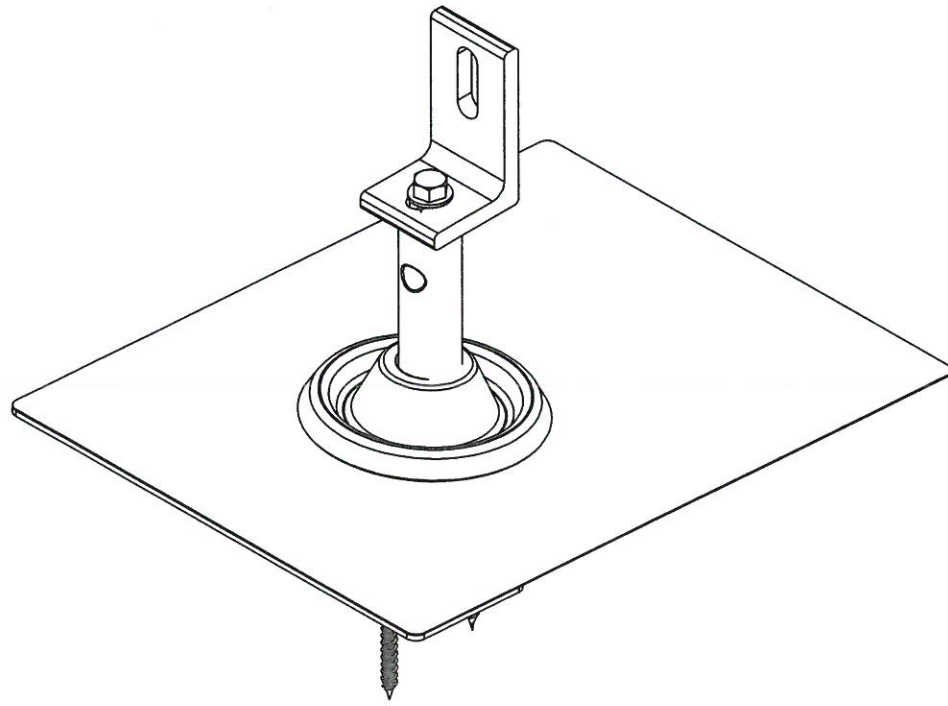
**K2 systems**  
 K2 Systems  
 4665 North Ave Suite I  
 Oceanside, CA 92056  
 Phone: +1.760.301.5300

Description:  
**DROP N LOCK POST KIT ASSEMBLY**

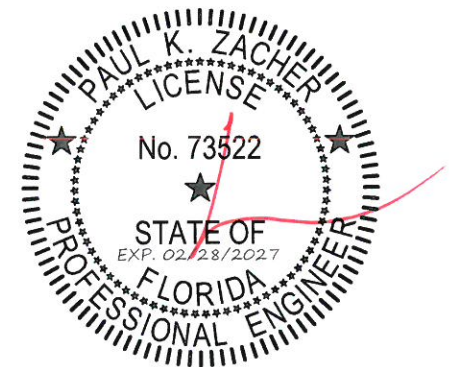
REVISION	DATE	DESCRIPTION
1	02/09/26	

DRAWN BY  
 A. MARTINEZ

Project:  
 Miami Dade Country NOA



**PRODUCT REVISED**  
 as complying with the Florida  
 Building Code  
 NOA-No. 26-0120.02  
 Expiration Date 02/17/2027  
 By *[Signature]*  
 Miami-Dade Product Control



K2 Systems  
 4665 North Ave Suite I  
 Oceanside, CA 92056  
 Phone: +1.760.301.5300

Description:

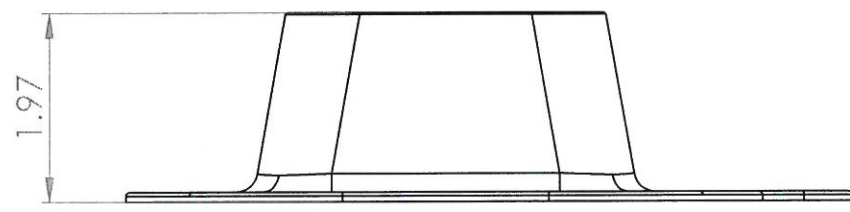
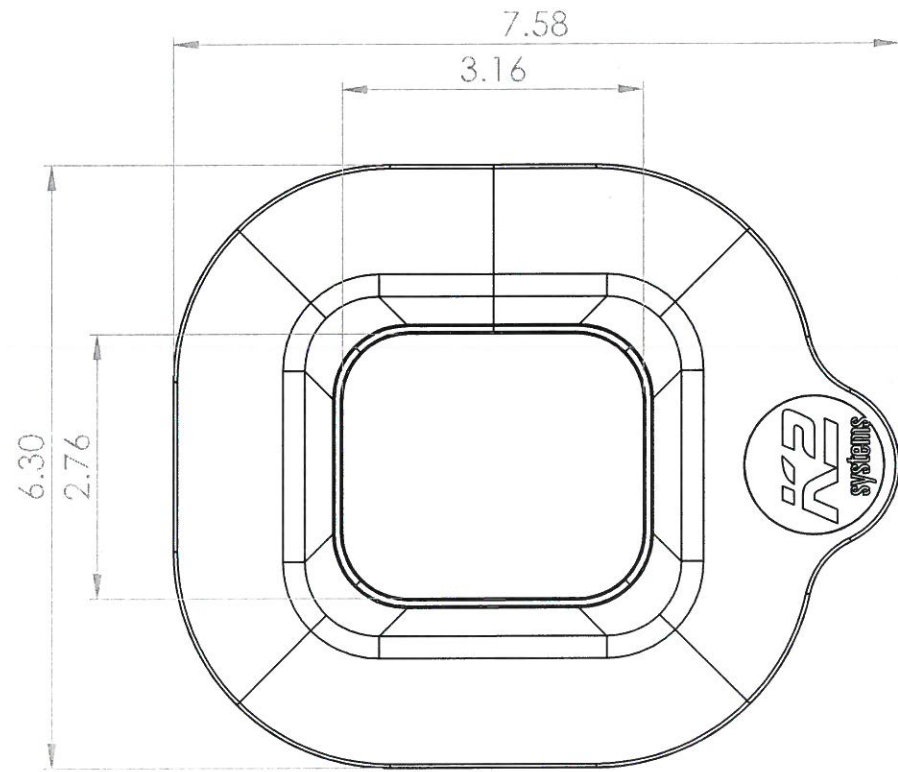
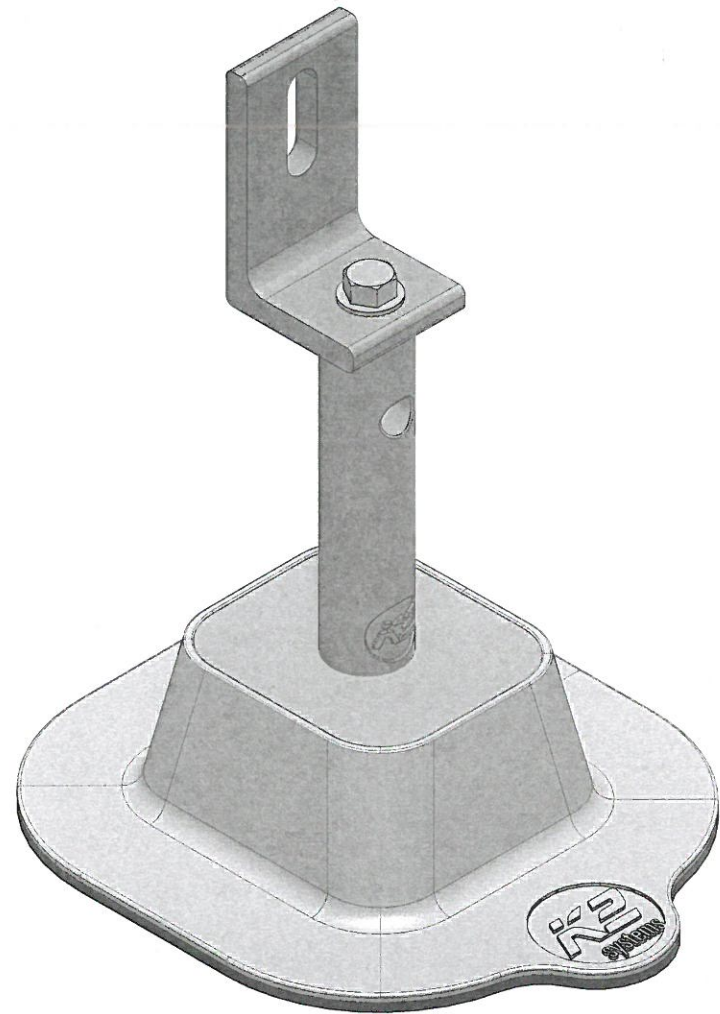
DROP N LOCK POST KIT ASSEMBLY

REVISION	DATE	DESCRIPTION
1	02/09/26	

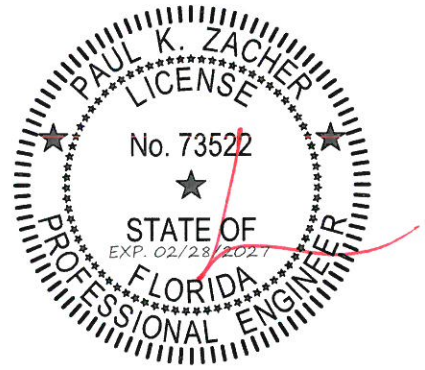
DRAWN BY  
 A. MARTINEZ

Project:

Miami Dade Country NOA



**PRODUCT REVISED**  
 as complying with the Florida  
 Building Code  
 NOA-No. 26-0120.02  
 Expiration Date 02/17/2027  
 By *[Signature]*  
 Miami-Dade Product Control



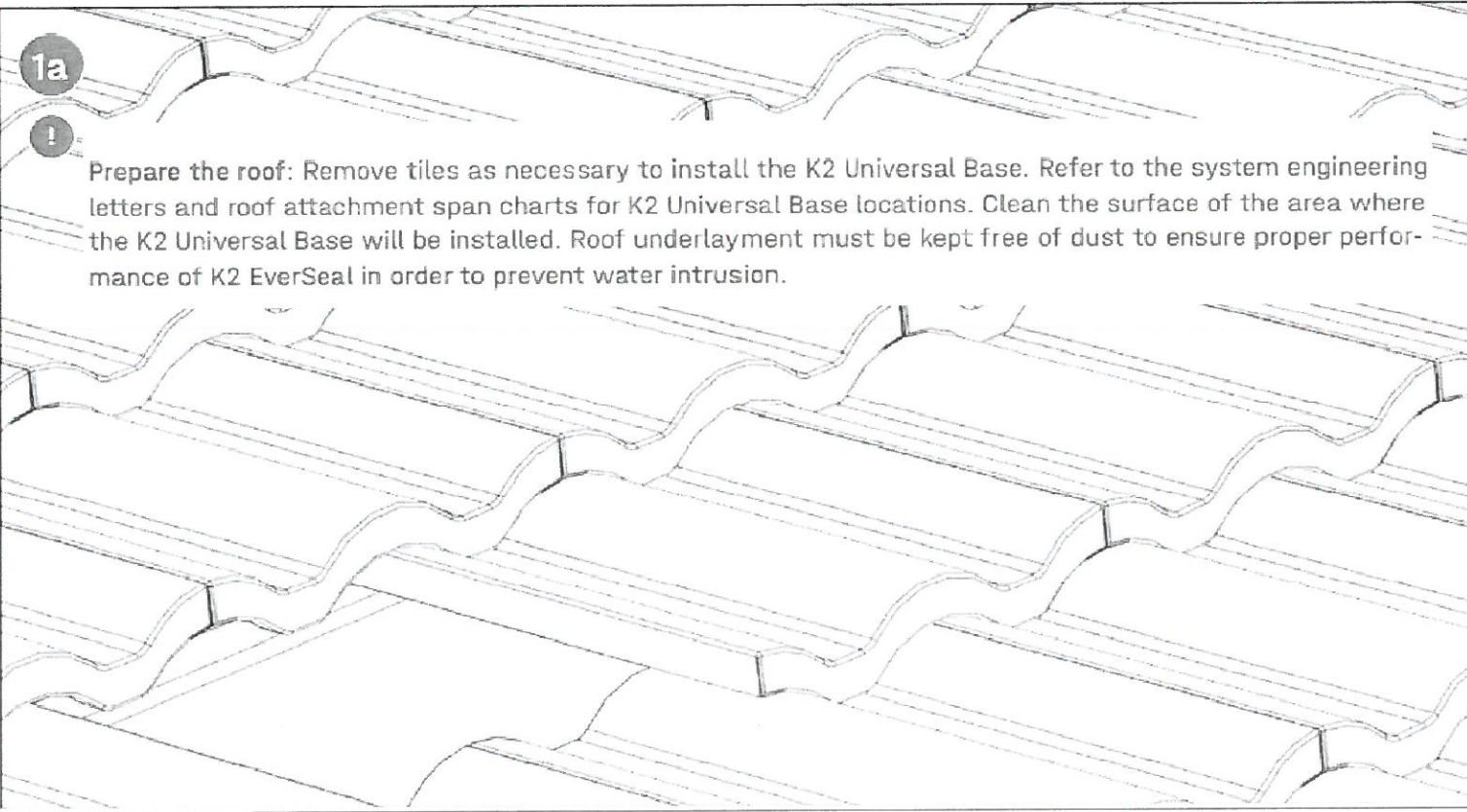
**K2**  
 systems  
 K2 Systems  
 4665 North Ave Suite I  
 Oceanside, CA 92056  
 Phone: +1.760.301.5300

Description:  
 DROP N LOCK POST KIT ASSEMBLY

REVISION	DATE	DESCRIPTION	DRAWN BY
1	02/09/26		A. MARTINEZ

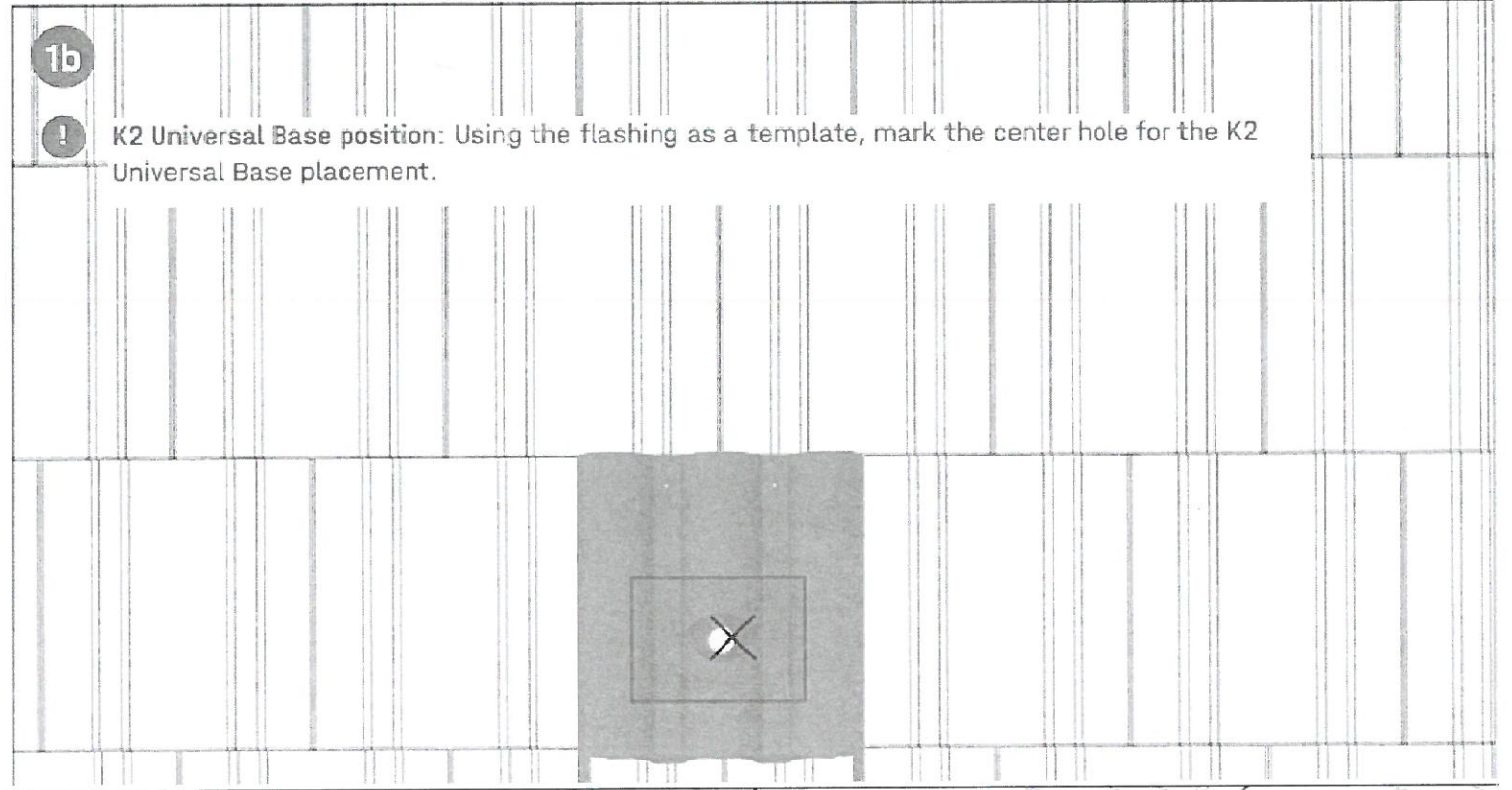
Project:  
 Miami Dade Country NOA

# DROP AND LOCK INSTALLATION WITH FLAT AND W TILE FLASHING



1a

Prepare the roof: Remove tiles as necessary to install the K2 Universal Base. Refer to the system engineering letters and roof attachment span charts for K2 Universal Base locations. Clean the surface of the area where the K2 Universal Base will be installed. Roof underlayment must be kept free of dust to ensure proper performance of K2 EverSeal in order to prevent water intrusion.



1b

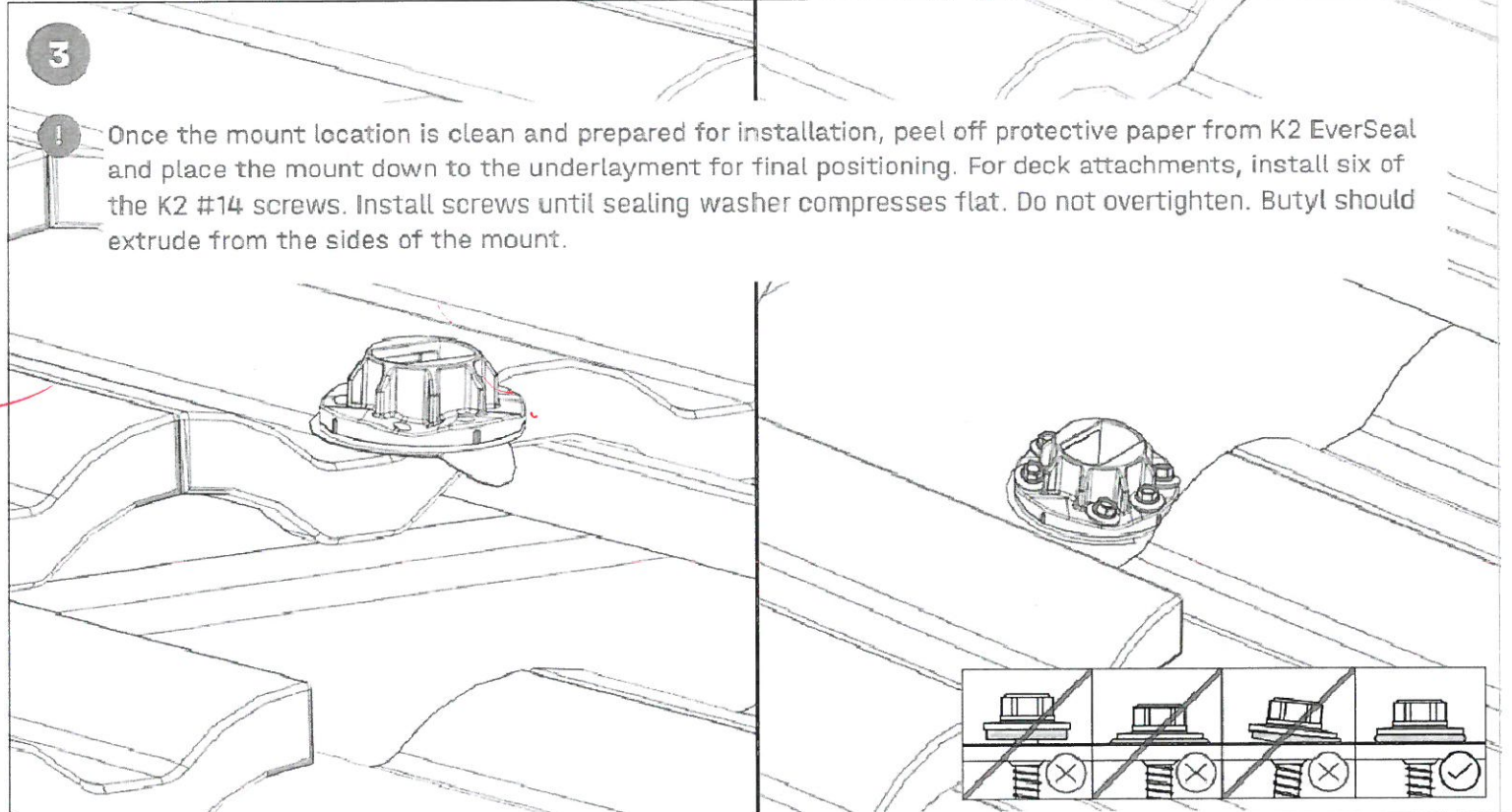
K2 Universal Base position: Using the flashing as a template, mark the center hole for the K2 Universal Base placement.

2

K2 Universal Base installation: The base has lines to identify North-South (rafter) and East-West (deck) in order to correctly position the mount for rafter or deck attachment, see image below. All the K2 Universal Bases should be in the same orientation.

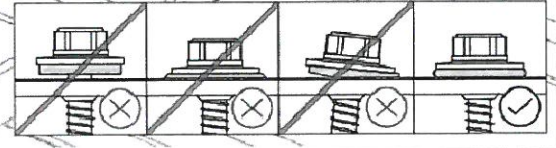
**PRODUCT REVISED**  
as complying with the Florida Building Code  
NOA-No. 26-0120.02  
Expiration Date 02/17/2027  
By *[Signature]*  
Miami-Dade Product Control

Note: the K2 Universal Base has 6 total screw holes. The two holes at the North-South locations are flush and the remaining 4 holes in the base corners are slightly angled to improve the uplift performance of the mount.



3

Once the mount location is clean and prepared for installation, peel off protective paper from K2 EverSeal and place the mount down to the underlayment for final positioning. For deck attachments, install six of the K2 #14 screws. Install screws until sealing washer compresses flat. Do not overtighten. Butyl should extrude from the sides of the mount.



**K2 systems**  
K2 Systems  
4665 North Ave Suite I  
Oceanside, CA 92056  
Phone: +1.760.301.5300

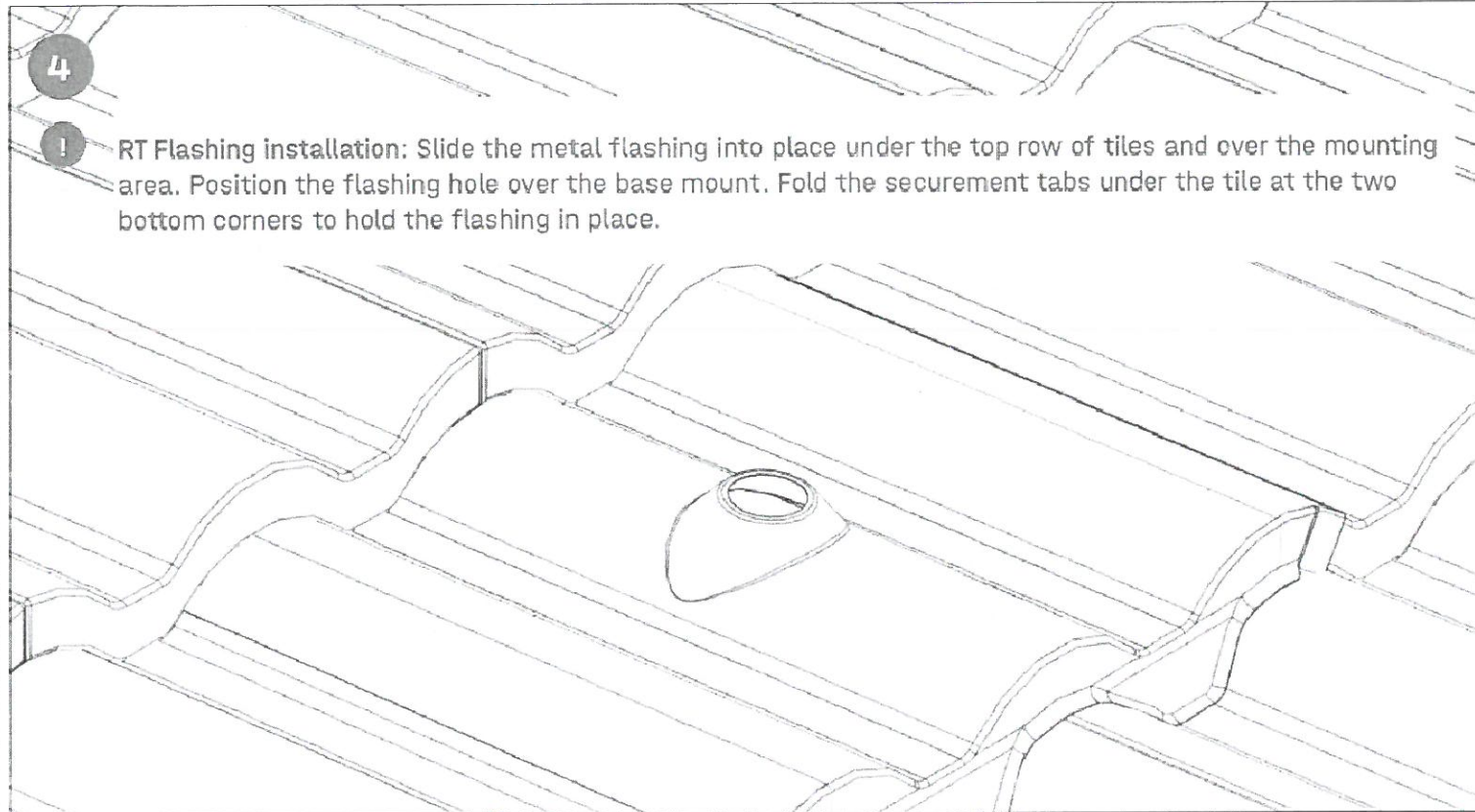
Description:  
**DROP N LOCK POST KIT ASSEMBLY**

REVISION	DATE	DESCRIPTION
1	02/09/26	

DRAWN BY  
A. MARTINEZ

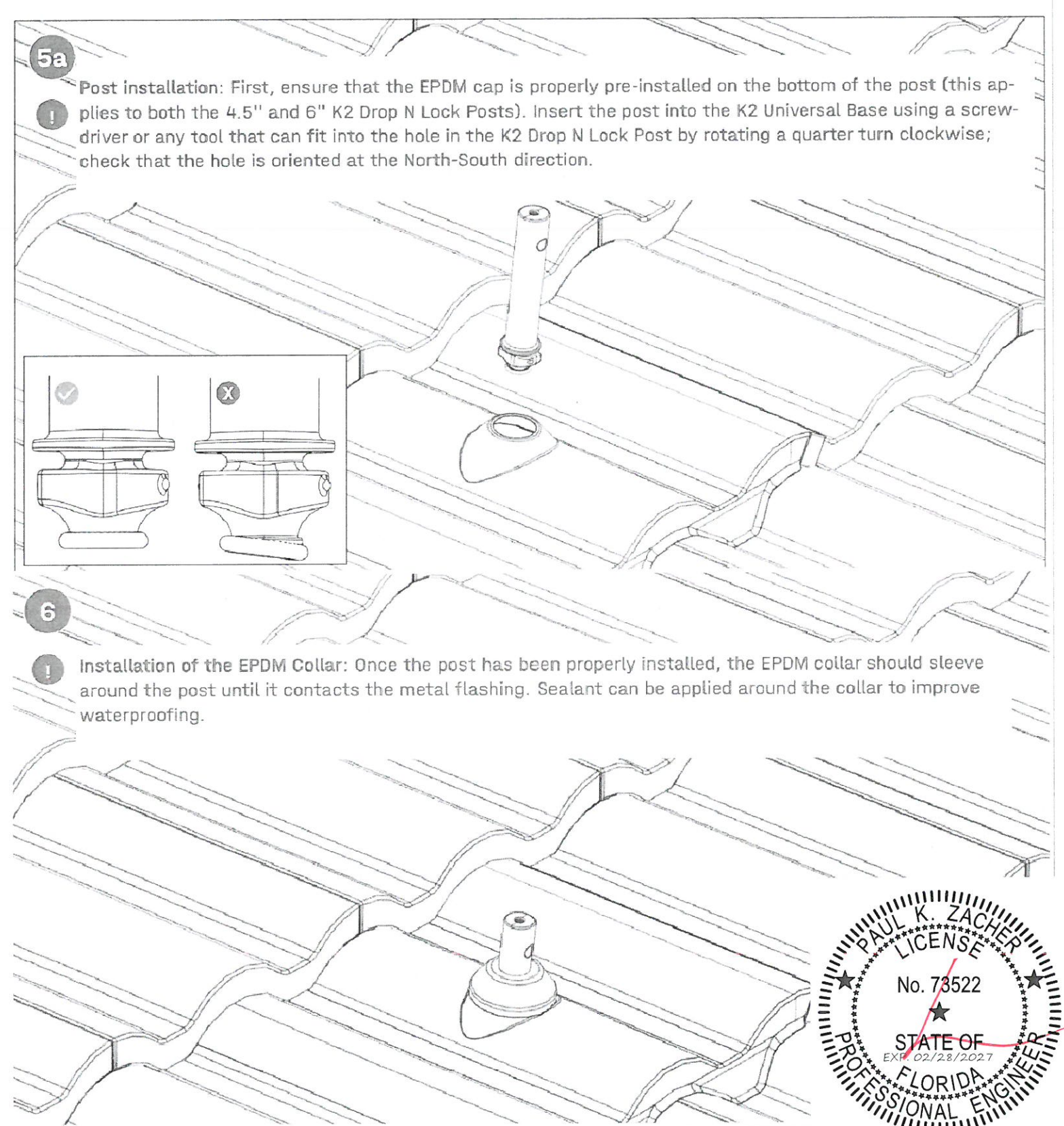
Project:  
Miami Dade Country NOA

# DROP AND LOCK INSTALLATION WITH FLAT AND W TILE FLASHING



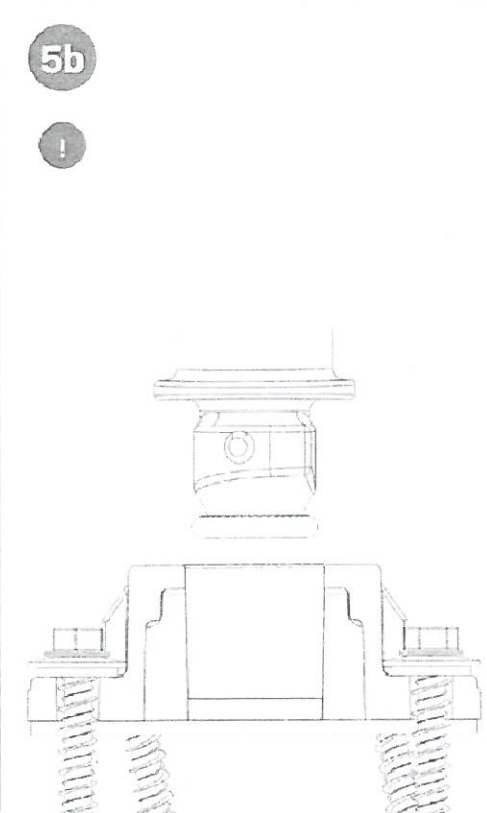
4

! RT Flashing installation: Slide the metal flashing into place under the top row of tiles and over the mounting area. Position the flashing hole over the base mount. Fold the securement tabs under the tile at the two bottom corners to hold the flashing in place.



5a

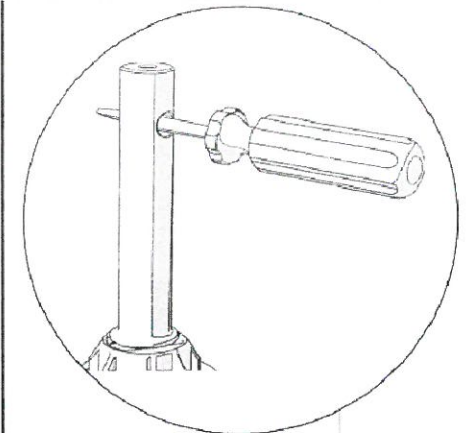
! Post installation: First, ensure that the EPDM cap is properly pre-installed on the bottom of the post (this applies to both the 4.5" and 6" K2 Drop N Lock Posts). Insert the post into the K2 Universal Base using a screwdriver or any tool that can fit into the hole in the K2 Drop N Lock Post by rotating a quarter turn clockwise; check that the hole is oriented at the North-South direction.



5b

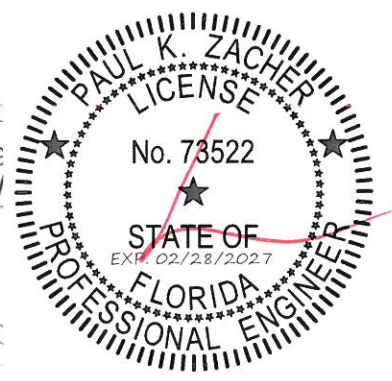

!

**PRODUCT REVISED**  
 as complying with the Florida  
 Building Code  
 NOA-No. 26-0120.02  
 Expiration Date 02/17/2027  
 By *[Signature]*  
 Miami-Dade Product Control



6

! Installation of the EPDM Collar: Once the post has been properly installed, the EPDM collar should sleeve around the post until it contacts the metal flashing. Sealant can be applied around the collar to improve waterproofing.

K2 Systems  
 4665 North Ave Suite I  
 Oceanside, CA 92056  
 Phone: +1.760.301.5300

Description:  
 DROP N LOCK POST KIT ASSEMBLY

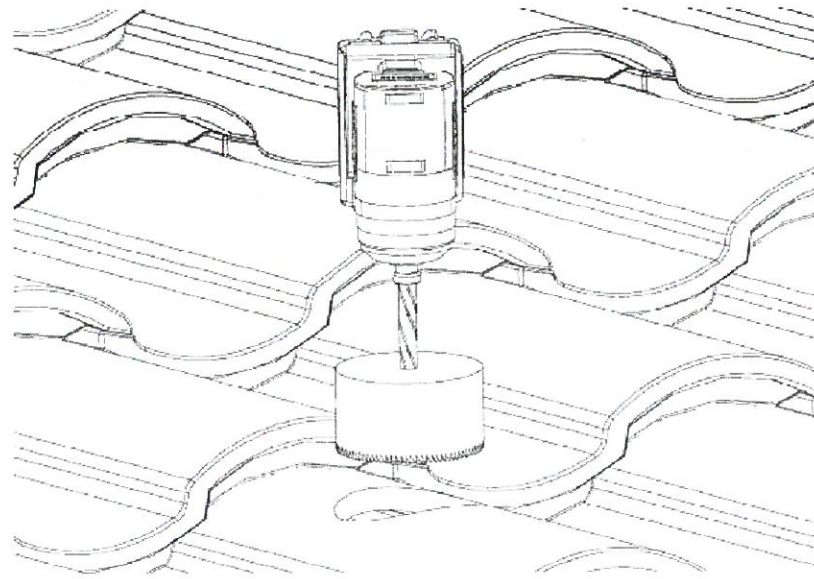
REVISION	DATE	DESCRIPTION	DRAWN BY
1	02/09/26		A. MARTINEZ

Project:  
 Miami Dade Country NOA

# DROP AND LOCK INSTALLATION WITH UNIVERSAL FLASHING

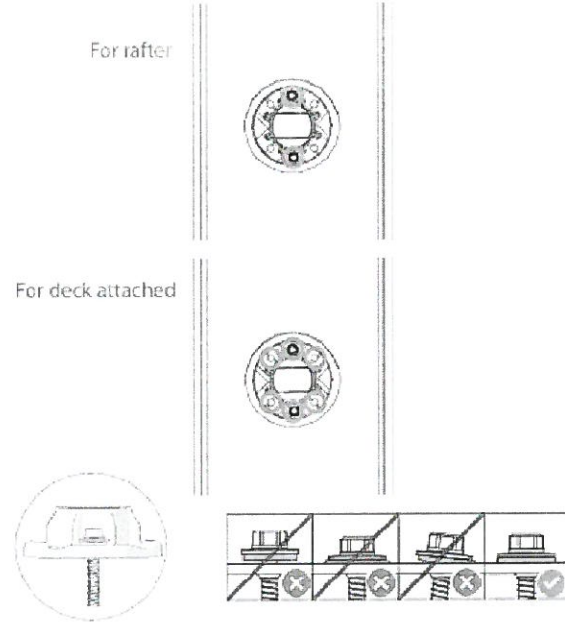
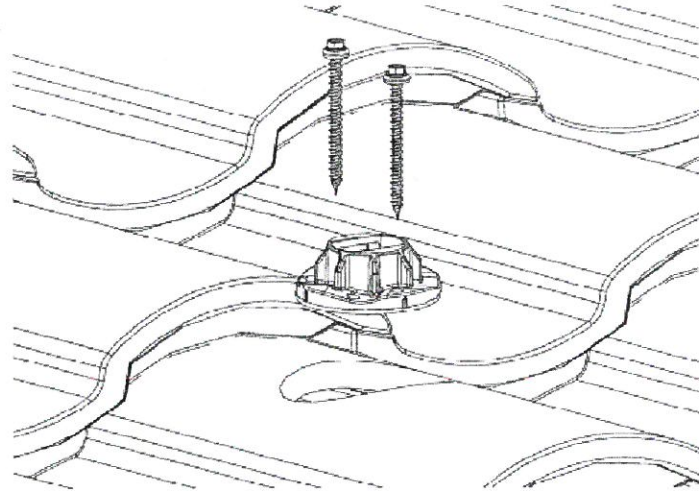
1

Prepare the roof: Use a drill bit of at least 3-1/8" diameter, drill the necessary tiles to install the Universal Base. To define Universal Base locations, refer to the system engineering sheets and roof attachment span charts. Make sure to clean up the roof underlayment from any debris or dust to improve Everseal adherence.



3

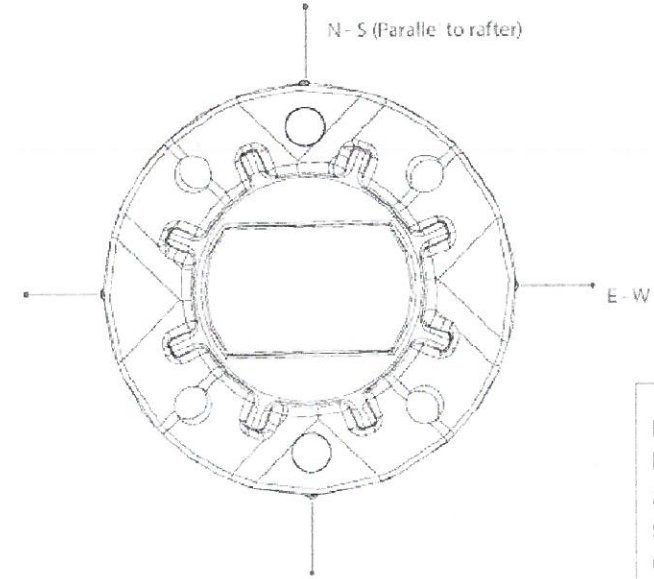
Once the mount location is clean and prepared for installation, peel off protective paper from K2 Ever-Seal and place the mount down to the underlayment for final positioning. For deck attachments, install six of the K2 #14 screws. For rafter attachment install two of the K2 #14 screws on the north and south positioned holes. Do not overtighten. Butyl should extrude from the sides of the mount.



**PRODUCT REVISED**  
 as complying with the Florida  
 Building Code  
 NOA-No. 26-0120.02  
 Expiration Date 02/17/2027  
 By *[Signature]*  
 Miami-Dade Product Control

2

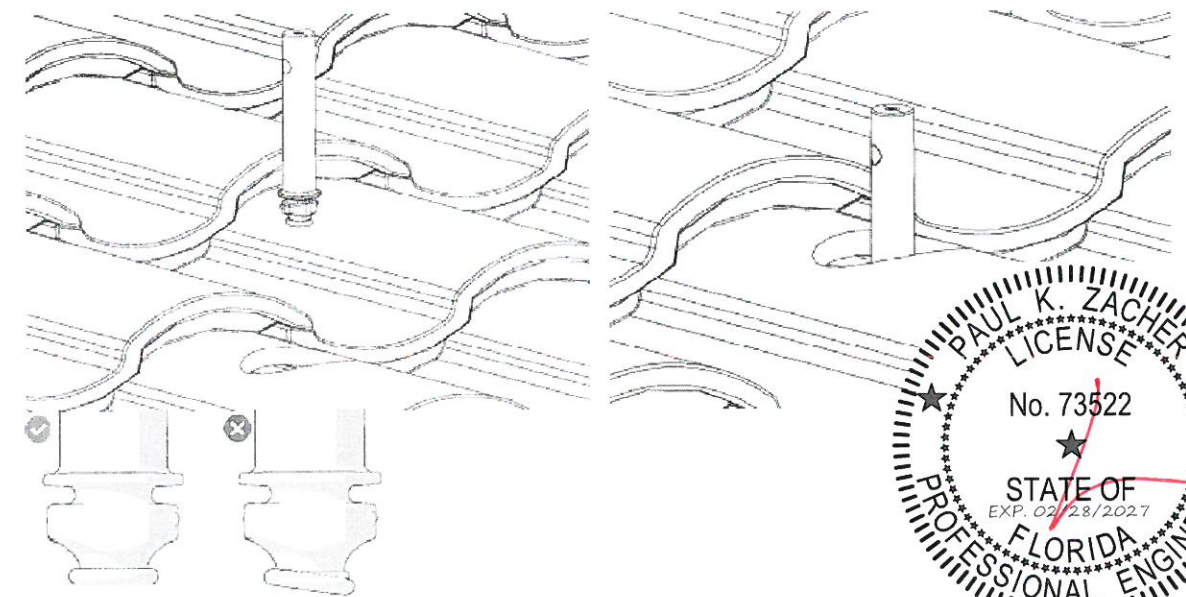
K2 Universal Base installation: The base has lines to identify North-South Alignment (Parallel to rafter) and East-West alignment in order to correctly position the mount for rafter or deck attachment, see image below. All the Universal Bases should be in the same orientation.



NOTE: The K2 Universal Base has 6 total screw holes. The two at the North-South location are flat and the remaining 4 holes in the base corners are slightly angled to improve the uplift performance of the mount.

4a

First, ensure that the EPDM cap is properly pre-installed on the bottom of the post. Insert the post into the K2 Universal Base using a pliers or screwdriver in the K2 Drop N Lock Post by rotating a quarter turn clockwise; check that the hole is oriented at the North-South direction. (this applies to both the 4.5" and 6" K2 Drop N Lock Posts).



**K2**  
 systems  
 K2 Systems  
 4665 North Ave Suite 1  
 Oceanside, CA 92056  
 Phone: +1.760.301.5300

Description:  
 DROP N LOCK POST KIT ASSEMBLY

REVISION	DATE	DESCRIPTION
1	02/09/26	

DRAWN BY  
 A. MARTINEZ

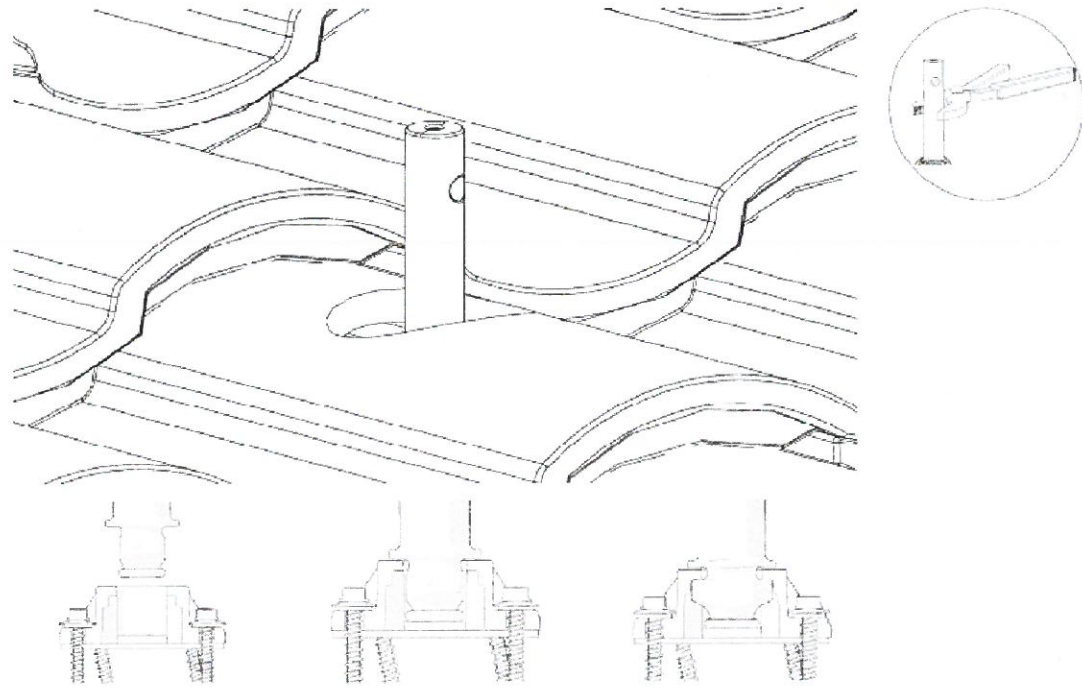
Project:

Miami Dade Country NOA

# DROP AND LOCK INSTALLATION WITH UNIVERSAL FLASHING

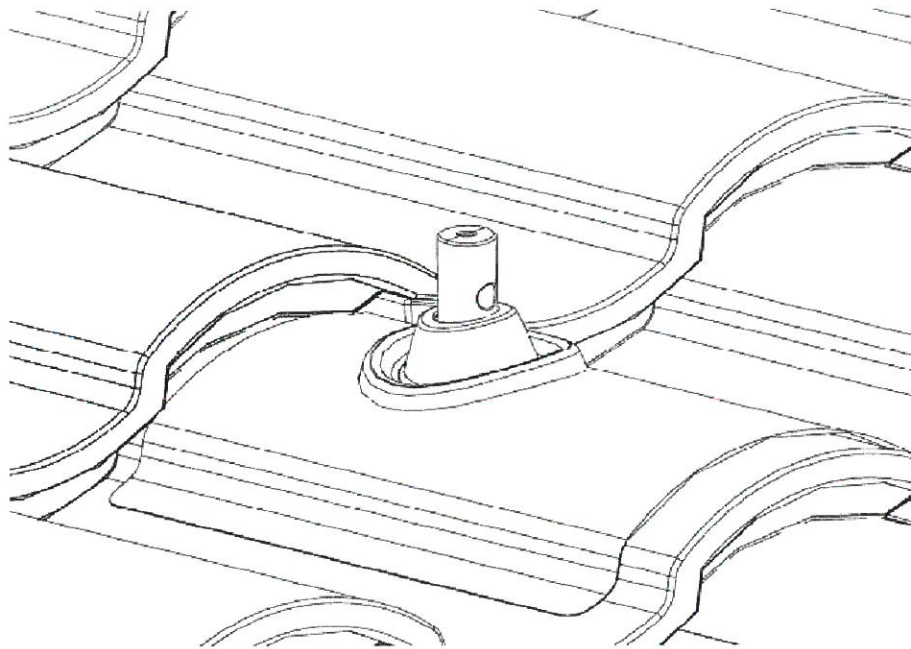
4b

Correct Drop N Lock Installation.



6

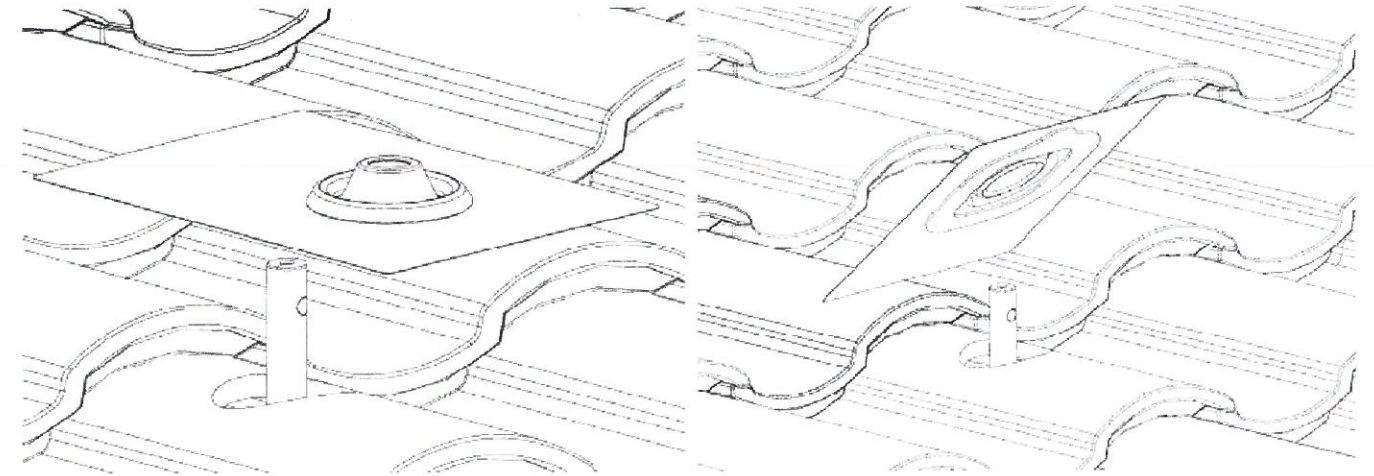
Mold the aluminum to match the type of tile on the roof (S-Tile, W-Tile or Flat), making sure to press firmly on the K2 Everseal section of the flashing to ensure an adequate adherence to the surface.



**PRODUCT REVISED**  
 as complying with the Florida  
 Building Code  
 NOA-No. 26-0120.02  
 Expiration Date 02/17/2027  
 By *[Signature]*  
 Miami-Dade Product Control

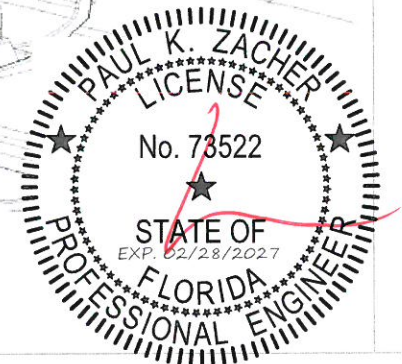
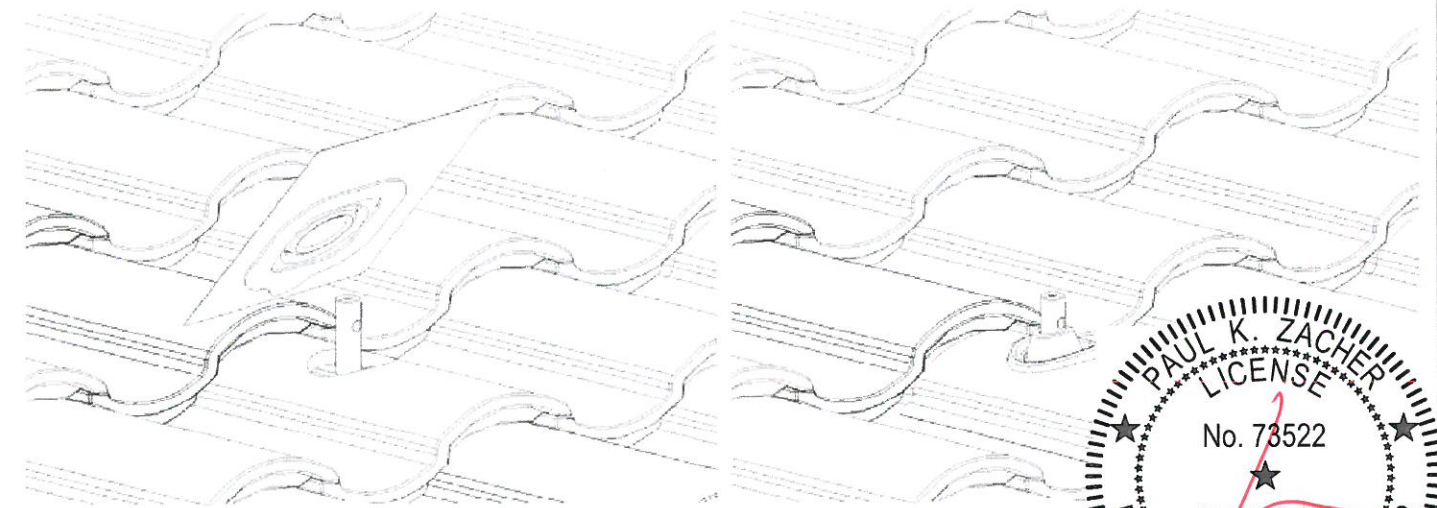
5

Make sure the surface of the tile in which you're installing the attachment is free of any dust or debris. Position Drop N Lock Flashing over post, aligning the post with the rubber collar. Slide the back of the flashing into place under the top row of tiles, placing the post through the rubber collar. Peel off protective paper from K2 Everseal and lower the flashing to the tile.



6b

When top tile is glued or cemented down and cannot be lifted to place flashing, install flashing by turning it 180° to avoid any overlap. Press down over all the flashing surface to mold it to the tile. K2 Everseal will work as a 360° barrier against water



K2 Systems  
 4665 North Ave Suite I  
 Oceanside, CA 92056  
 Phone: +1.760.301.5300

Description:

DROP N LOCK POST KIT ASSEMBLY

REVISION	DATE	DESCRIPTION
1	02/09/26	

DRAWN BY  
 A. MARTINEZ

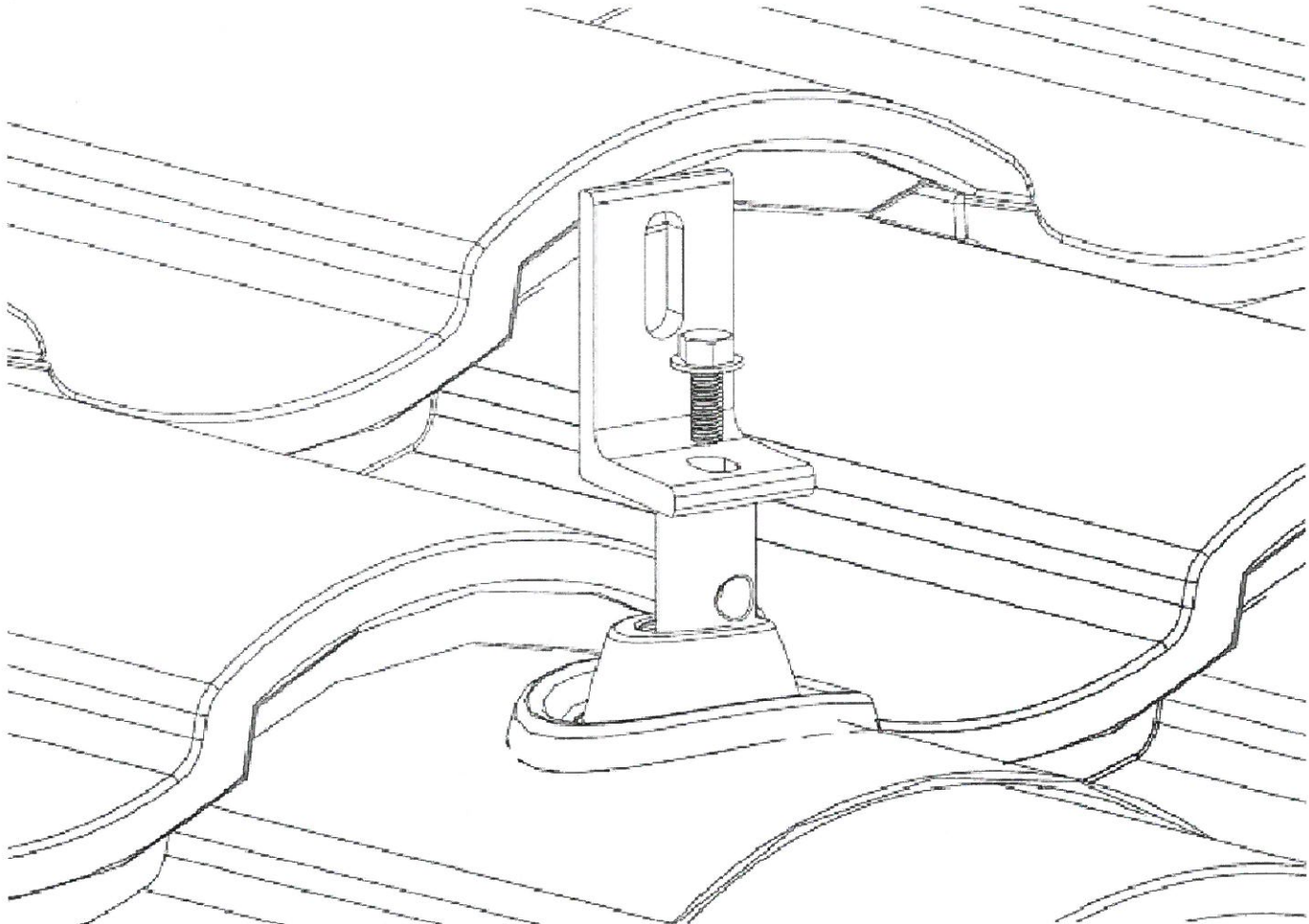
Project:

Miami Dade Country NOA

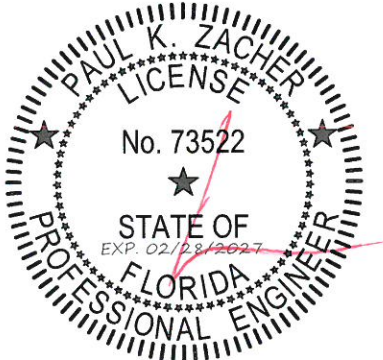
# DROP AND LOCK INSTALLATION WITH UNIVERSAL FLASHING

7

Install the L-Foot above the post and tighten the M8 screw into the threaded hole. Torque the M8 screw to 12ft-lbs (16Nm).



**PRODUCT REVISED**  
 as complying with the Florida  
 Building Code  
 NOA-No. 26-0120.02  
 Expiration Date 02/17/2027  
 By *[Signature]*  
 Miami-Dade Product Control



**K2**  
 systems  
 K2 Systems  
 4665 North Ave Suite I  
 Oceanside, CA 92056  
 Phone: +1.760.301.5300

Description:  
 DROP N LOCK POST KIT ASSEMBLY

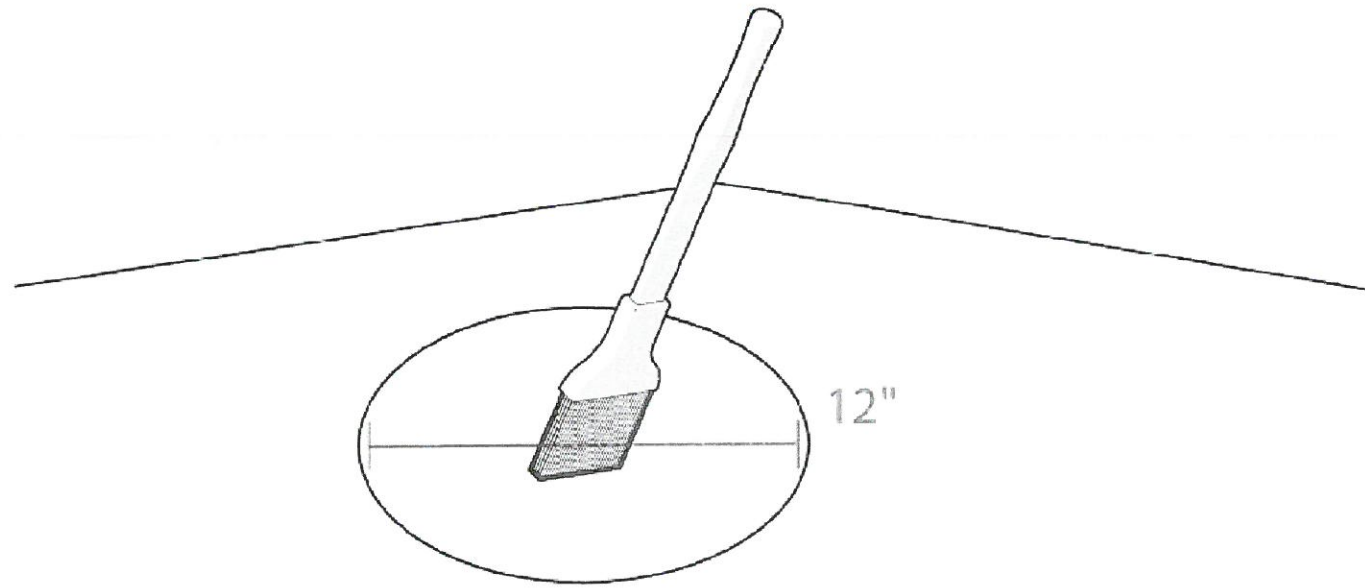
REVISION	DATE	DESCRIPTION
1	02/09/26	

DRAWN BY  
 A. MARTINEZ

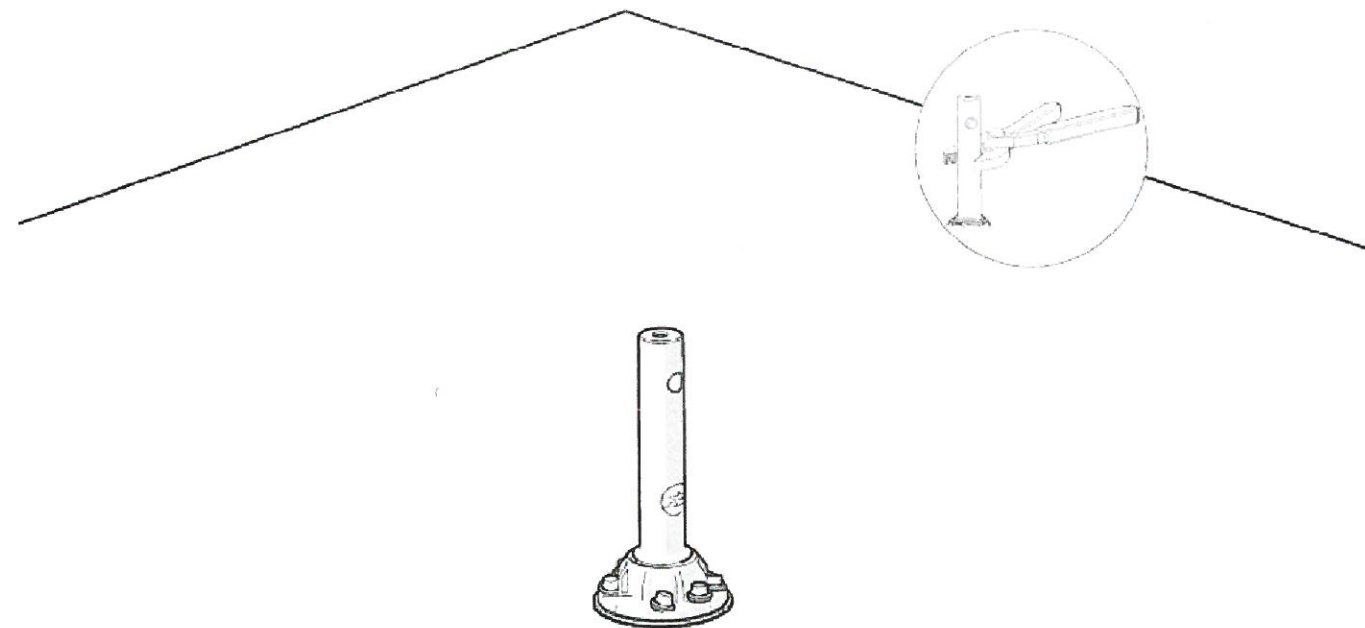
Project:  
 Miami Dade Country NOA

# DROP AND LOCK INSTALLATION WITH K2 ARMOR

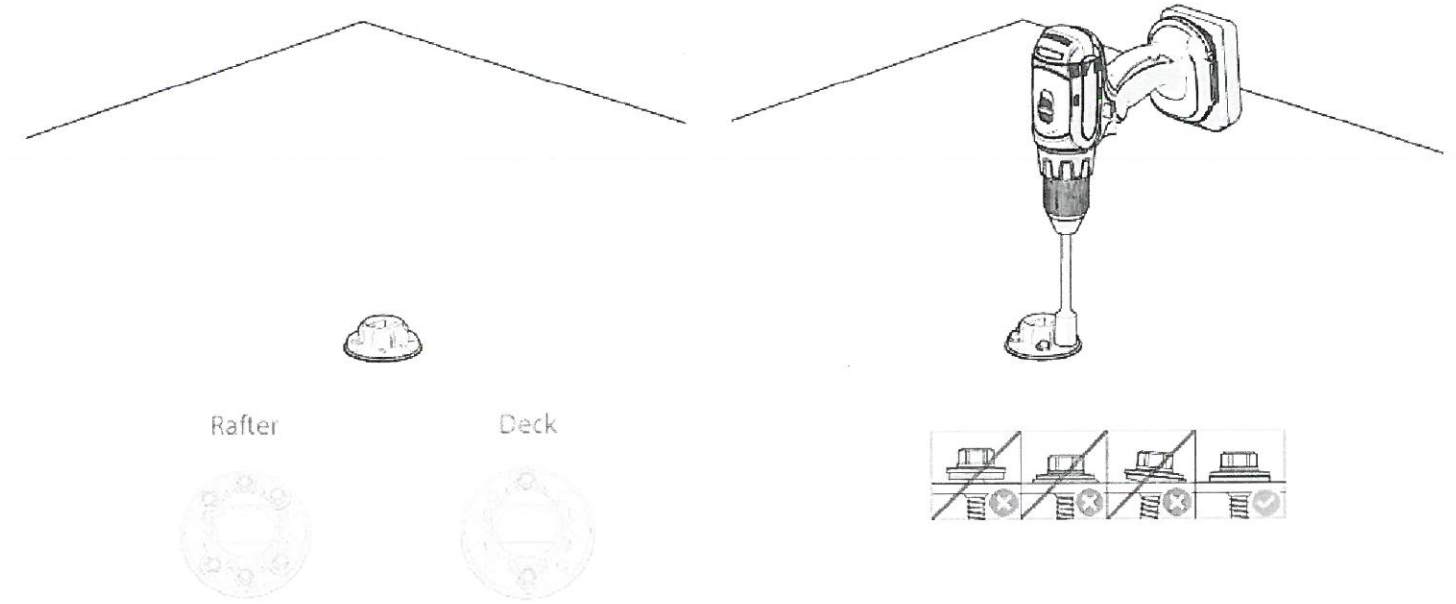
**1** Prepare your roof surface for the installation. For best K2 Everseal adhesion, clean the roof surface where the Drop N Lock Base and K2 Armor 3in will be installed, making sure a 12in perimeter to mount the components is free of debris and dust. Use the roof system manufacturer's recommended cleaner if applicable.



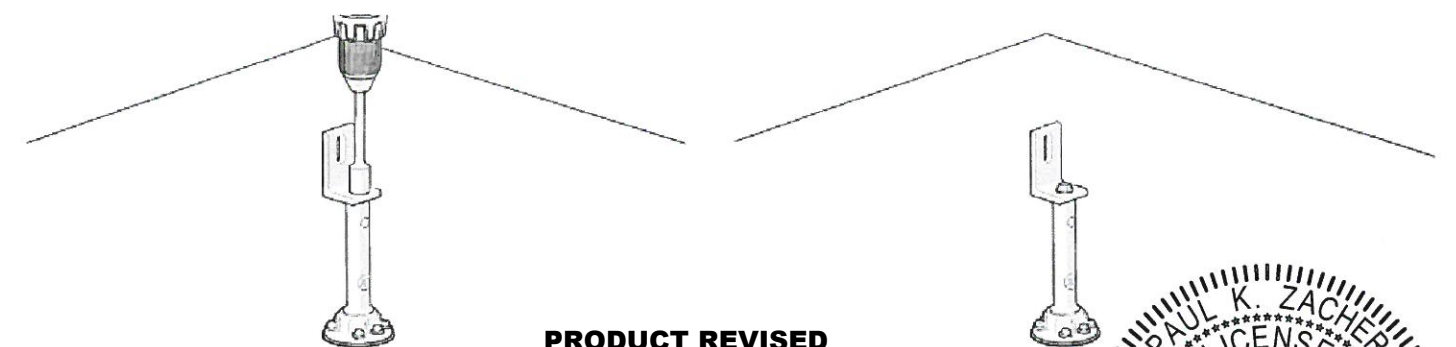
**3** Install the K2 Drop N Lock Post 6" into the base, by inserting the bottom section on the base and turning it clockwise 90°. You can use a wrench or similar tools to help grip the post into position.



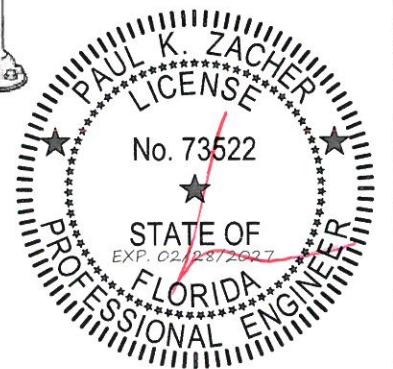
**2** Position your Drop N Lock Base at the desired installation location. Peel off the protective paper from the bottom of the base to reveal K2 Everseal and use it to secure the Base to the roof, pressing gently on its top to ensure correct adhesion. Fasten the base to the roof into the rafter or deck using K2's #14 Hex Head Wood Screws according to your project's specifications.



**4** Install your L-Foot on top of the post with the included M8x20 mm screw. You will require a 13 mm Hex Deep Socket. Torque at 12 ft-lbs.



**PRODUCT REVISED**  
 as complying with the Florida  
 Building Code  
 NOA-No. 26-0120.02  
 Expiration Date 02/17/2027  
 By [Signature]  
 Miami-Dade Product Control



**K2** systems  
 K2 Systems  
 4665 North Ave Suite I  
 Oceanside, CA 92056  
 Phone: +1.760.301.5300

Description:  
 DROP N LOCK POST KIT ASSEMBLY

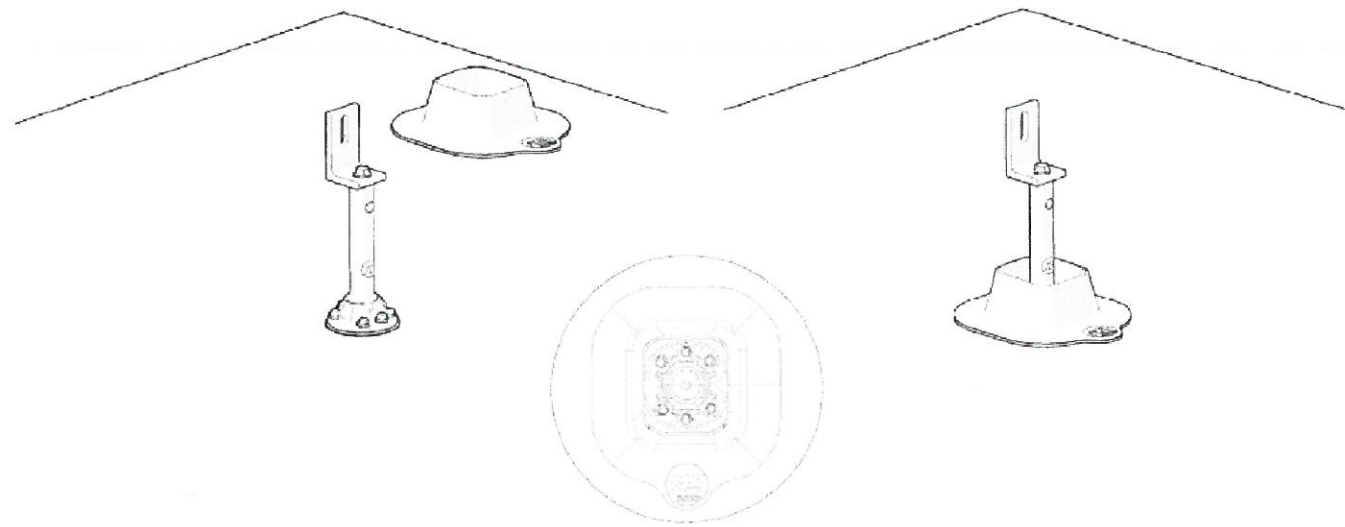
REVISION	DATE	DESCRIPTION
1	02/09/26	

DRAWN BY  
 A. MARTINEZ

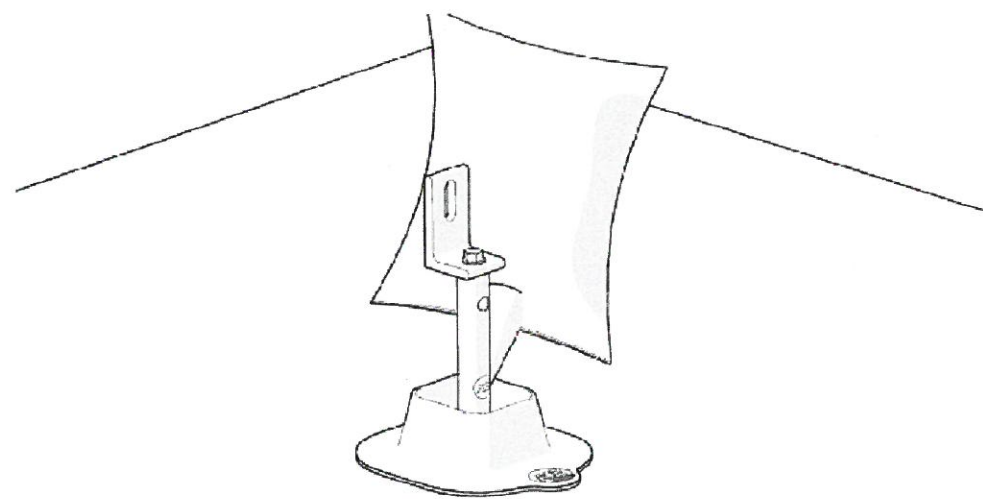
Project:  
 Miami Dade Country NOA

# DROP AND LOCK INSTALLATION WITH K2 ARMOR

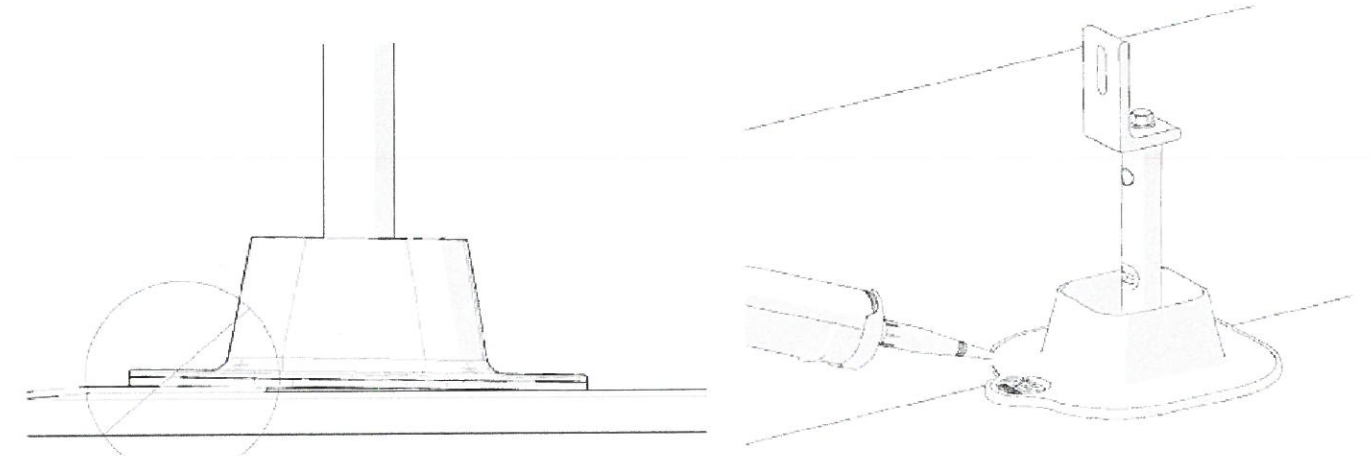
**5** Once the mount is installed, peel off the protective paper from the bottom of the K2 Armor and place it over the mount. Install the K2 Armor by applying pressure to the Armor and the roof surface. Leave a gap of at least 1/8" between the Drop N Lock and the Armor in all directions so the sealant fills the entire Armor cavity.



**7** Once the K2 Armor has been installed, completely fill the K2 Armor with Sealbond 490.

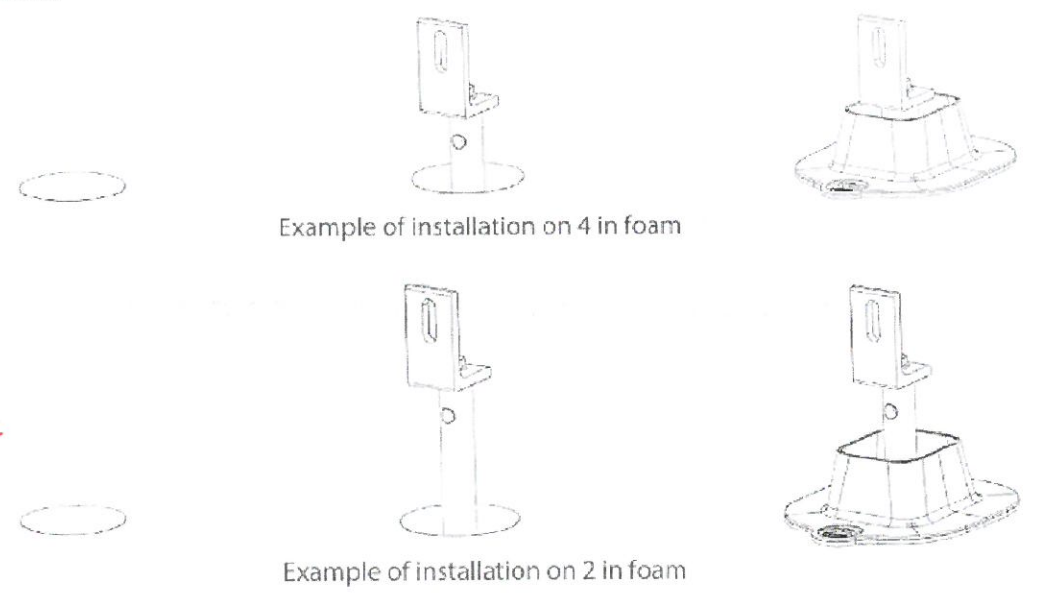


**6** If K2 Armor must be installed on a seam, apply Seal Bond 495 on the outside and around the perimeter of the K2 Armor onto the roof surface. Smooth the sealant to create a border around the K2 Armor therefore containing the Seal Bond 490 into the Armor.

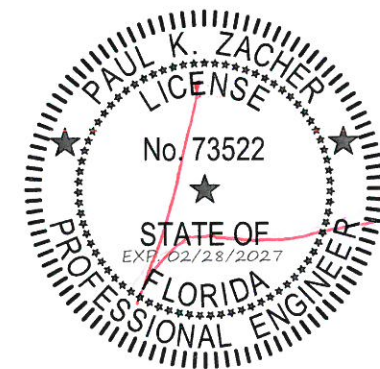


NOTE: Uneven Roof Surfaces  
Avoid installing K2 Armor on the roof material seams or overlapping courses.

**7a** To install Drop N Lock on roofs with foam insulation, make sure to cut out a hole in the insulation no larger than 3 1/2in in diameter, making sure you expose the plywood underneath. Remove all debris from the cutout and repeat previous steps of installation laid out on this manual. Make sure to fill out the cutout with Sealbond 490 until the top edge of Armor 3in. Extra Sealbond 490 pouches required for this installations are not included in kit 4000564.



**PRODUCT REVISED**  
as complying with the Florida Building Code  
NOA-No. 26-0120.02  
Expiration Date 02/17/2027  
By *[Signature]*  
Miami-Dade Product Control



**K2 systems**  
K2 Systems  
4665 North Ave Suite I  
Oceanside, CA 92056  
Phone: +1.760.301.5300

Description:  
DROP N LOCK POST KIT ASSEMBLY

REVISION	DATE	DESCRIPTION
1	02/09/26	

DRAWN BY  
A. MARTINEZ

Project:  
Miami Dade Country NOA